

PFXU4085 TWO HANDLE COMMERCIAL WIDESPREAD FAUCET



Product Features

- Max. flow rate: 0.5 gpm (1.9 L/min) at 60 psi
- ADA wrist blade handles with color indexed caps
- Ceramic disc cartridges with brass stems
- Less drain assembly
- Heavy duty 6"-16" cast brass undermount faucet
- Non-swivel spout
- Polished chrome



Optional Parts

| | |
|-----------------------|---------------------|
| 1.0 GPM Aerator | Neoperl 40.2058.000 |
| 0.5 GPM Aerator | OBPF54013605726 |
| Optional Lever Handle | OBPF7K4020321126 |
| Grid Drain Assembly | PFGD100 |

Codes and Certifications

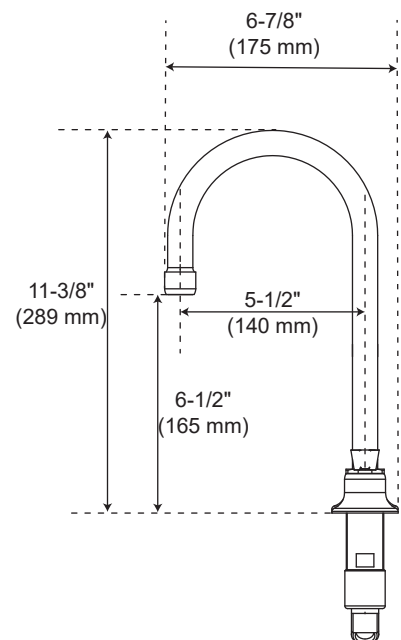
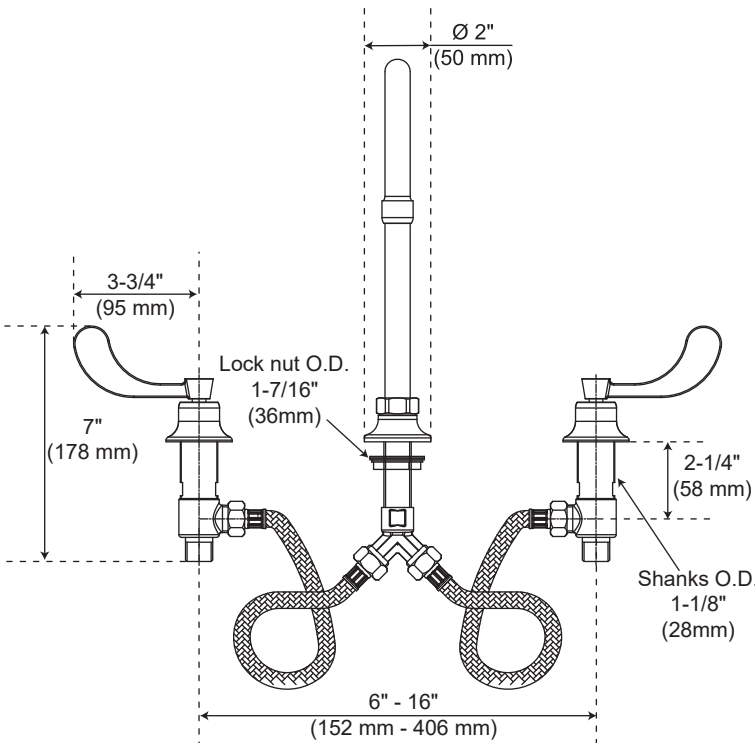


Optional Levers



PFXU4085

- Certified to ASME A112.18.1 / CSA B125.1
- cUPC/IAPMO listed
- Handle ADA compliant
- NSF/ANSI/CAN 61: Q ≤1
- EPA WaterSense certified



For detailed warranty information, visit ferguson.com/proflo-faucet-warranty.