

PFX404 / PFX4045

TWO HANDLE COMMERCIAL LAVATORY FAUCET



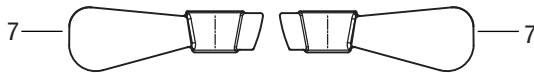
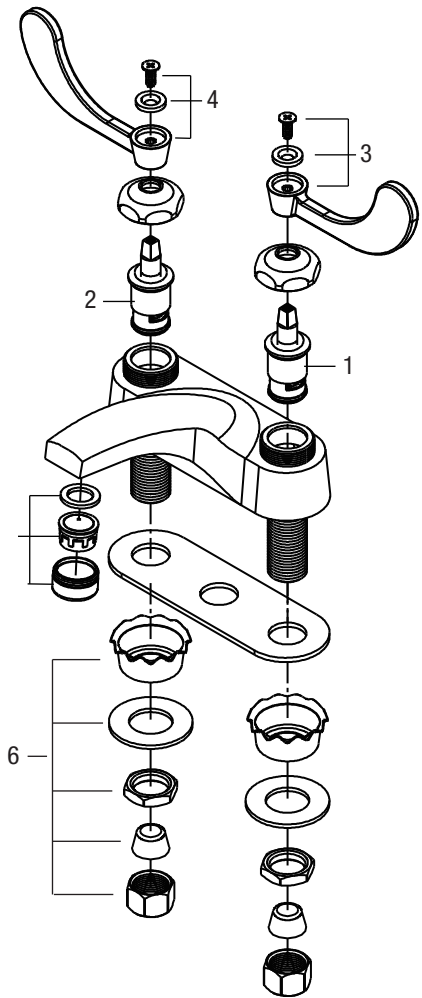
Model Numbers

PFX404 (1.5GPM) Chrome
 PFX4045 (0.5GPM) Chrome



PFX4045

No.	Part	Code	Material Type
1	Cold Stem	OBPF210701044	Low-lead brass
2	Hot Stem	OBPF210701045	Low-lead brass
3	Handle- Cold	OBPF74020319026C	Zinc
4	Handle- Hot	OBPF74020319026H	Zinc
5	Aerator Kit	OBPF54013606326	Brass+Plastic+NBR
		OBPF54013605226	
6	Mouting Kit	OBPF149511396	Brass+Stainless Steel+PVC
7	Optional Lever Handle	OBPF7K4020321126	Zinc



Warranty and Codes

This product comes complete with installation, operating, care and maintenance instructions. This PROFLO faucet carries a limited lifetime warranty when installed in residential applications. The warranty is five years in commercial applications. This product meets ASME: A112.18.1. *Compliant with lead content requirements of US Senate Bill S.3874*

