

# PFX408 TWO HANDLE COMMERCIAL 8" DECK FAUCET



## Product Features

- Max. flow rate: 1.5 gpm (5.7 L/min) at 60 psi
- ADA wrist blade handles with color indexed caps
- Ceramic disc cartridges with brass stems
- Less drain assembly
- Heavy duty 8" cast brass deck
- Non-swivel spout

## Optional Parts

|                       |                     |
|-----------------------|---------------------|
| 1.0 GPM Aerator       | Neoperl 40.2058.000 |
| 0.5 GPM Aerator       | OBPF54013605726     |
| Optional Lever Handle | OBPF7K4020321126    |
| Grid Drain Assembly   | PFGD100             |



## Codes and Certifications

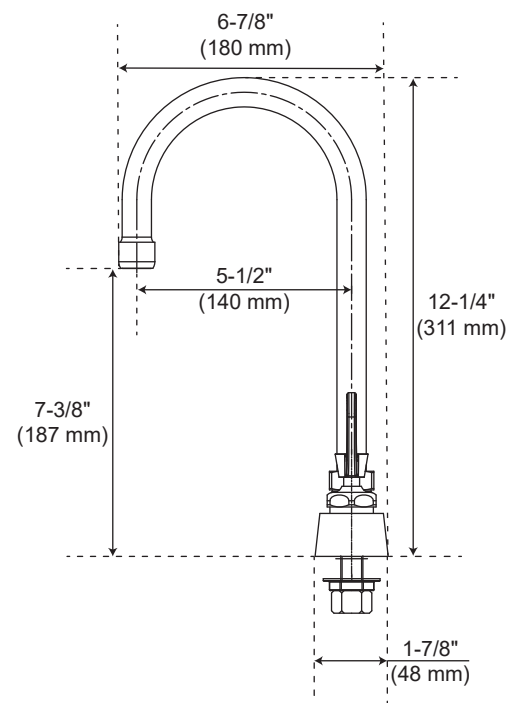
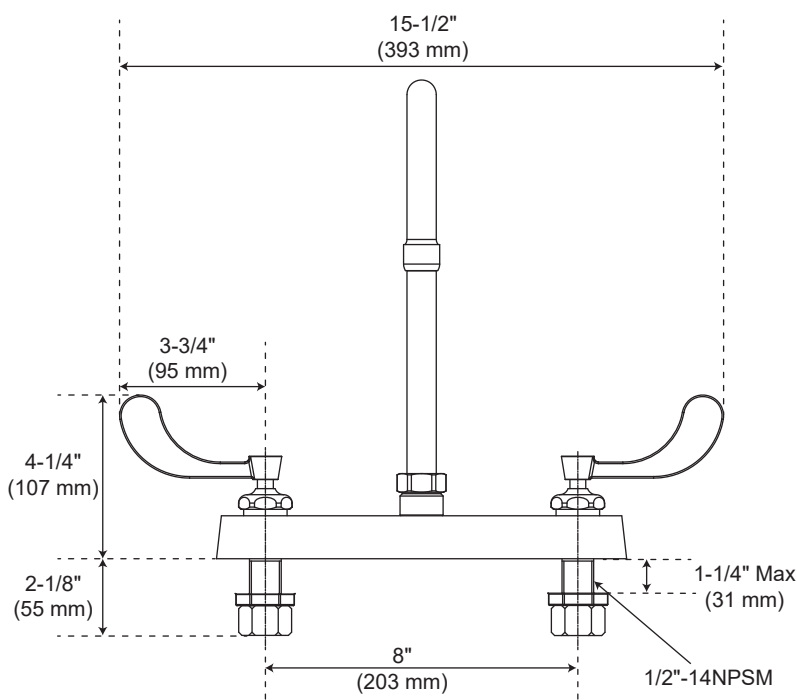


## Optional Levers



**PFX408**

- Certified to ASME A112.18.1 / CSA B125.1
- cUPC/IAPMO listed
- Handle ADA compliant
- NSF/ANSI/CAN 61: Q ≤1
- EPA WaterSense certified



For detailed warranty information, visit [ferguson.com/proflo-faucet-warranty](http://ferguson.com/proflo-faucet-warranty).