

## Specifications

# PFX4145L

## SINGLE HANDLE COMMERCIAL LAVATORY FAUCET



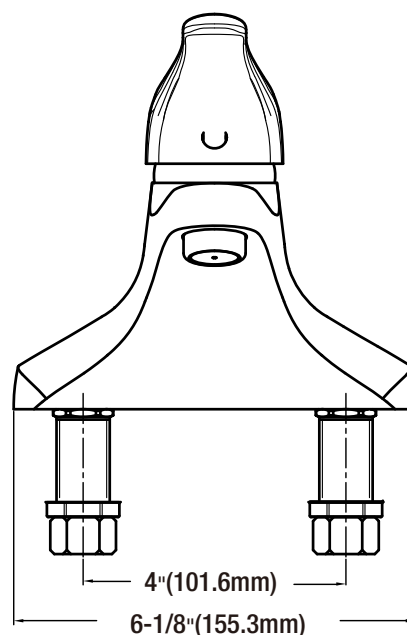
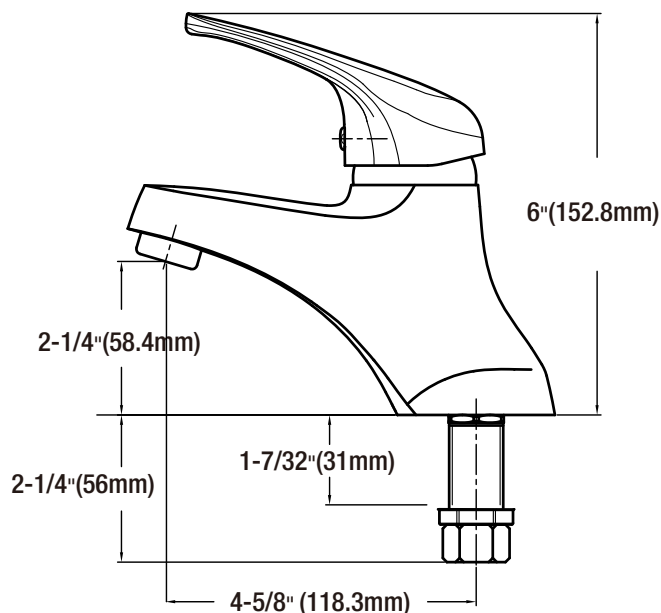
### Product Features

- One piece cast brass body
- Ceramic cartridge with temperature limiting device
- Polished chrome
- Flow rate: 0.5 GPM aerator
- Complies with ASME:A112.18.1/CSA:B125.1
- NSF61 compliant
- Complies with Lead Plumbing Law
- cUPC/IAPMO Listed
- ADA Compliant



PFX4145L

### Product Specifications



NOTE: All dimensions and specifications are nominal and may vary  $\pm 1/4$ ". Use actual products for accuracy in critical situations.

### Warranty and Codes

This product comes complete with installation, operating, care and maintenance instructions. This PROFLO faucet carries a limited lifetime warranty when installed in residential applications. The warranty is five years in commercial applications. This product meets ASME: A112.18.1. \*Compliant with lead content requirements of US Senate Bill S.3874.

