

# PFX414L / PFX4145L

## SINGLE HANDLE COMMERCIAL LAVATORY FAUCET



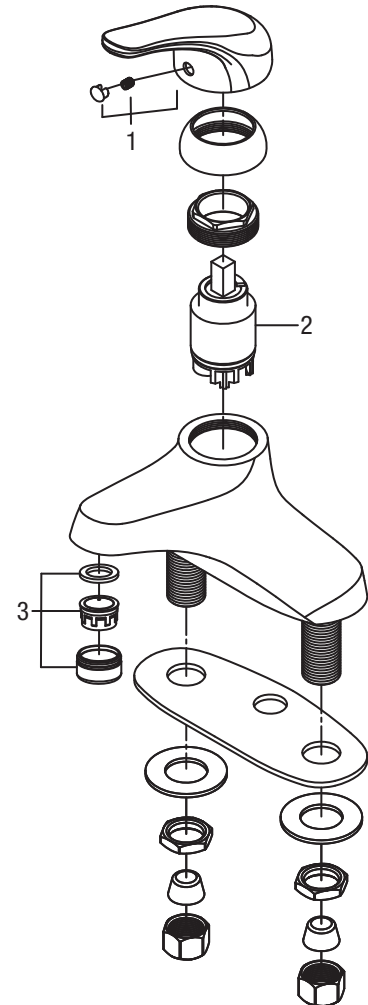
### Model Numbers

PFX414L (1.5GPM) Chrome  
 PFX4145L (0.5GPM) Chrome



PFX4145L

No.	Part	Code	Material Type
1	Handle Kit	OBPF74020320126	Zinc+ Stainless Steel+ ABS
2	Cartridge	OBPF210710148	POM
3	Aerator Kit	OBPF54013605226	NBR+ POM+ Brass
		OBPF54013606326	



### Warranty and Codes

This product comes complete with installation, operating, care and maintenance instructions. This PROFLO faucet carries a limited lifetime warranty when installed in residential applications. The warranty is five years in commercial applications. This product meets ASME: A112.18.1. Compliant with lead content requirements of US Senate Bill S.3874

