

## Specifications

**PFXC900U/PFXC90012**

# TWO HANDLE WALL MOUNT UTILITY FAUCET



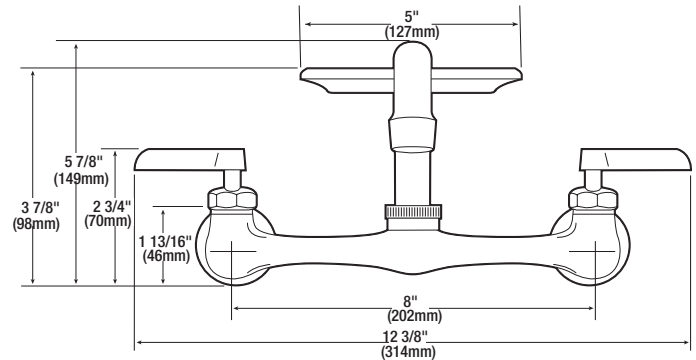
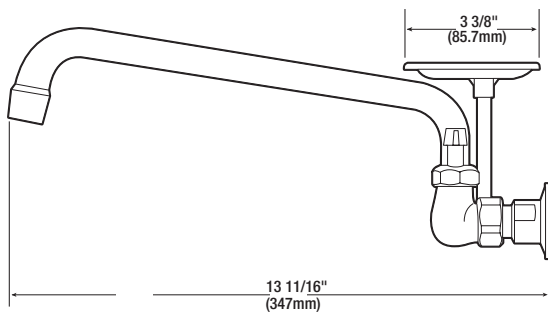
### Product Features

- 1/2" F.I.P. couplings
- 8" centers
- 6" or 12" cast brass spout
- Water saving aerator, 1.8 gpm
- Soap dish
- Meets ANSI: A112.18.1M
- NSF-61 compliant
- UPC/IAPMO listed
- Renewable seats and stems
- Polished chrome finish
- Swivel spout



**PFXC90012**

### Product Specifications



NOTE: All dimensions and specifications are nominal and may vary  $\pm 1/4"$ . Use actual products for accuracy in critical situations.

### Warranty and Codes

This product comes complete with installation, operating, care and maintenance instructions. This PROFLO faucet carries a limited lifetime warranty when installed in residential applications. The warranty is five years in commercial applications. This product meets ASME: A112.18.1.  
*\*Compliant with lead content requirements of US Senate Bill S.3874.*

