

# PFXC90012

## LOW LEAD TWO-HANDLE WALL MOUNT UTILITY FAUCET



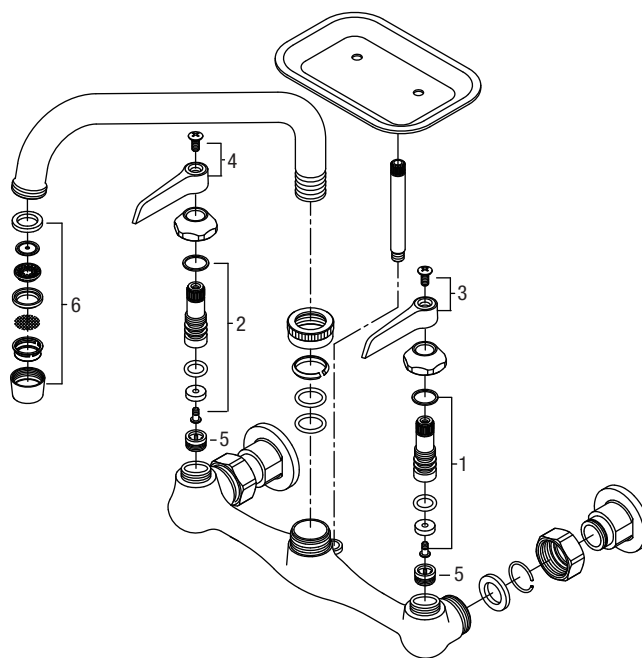
### Model Numbers

PFXC90012 (1.8GPM) Chrome



PFXC90012

No.	Part	Code	Material Type
1	Cold Stem	OBPF24981509621	Brass
2	Hot Stem	OBPF24981499621	Brass
3	Handle- Cold	OBPF74020307226	Zinc
4	Handle- Hot	OBPF74020307326	Zinc
5	Seat	OBPF24211601516	Brass
6	Aerator Kit	OBPF5109200001400	Brass



### Warranty and Codes

This product comes complete with installation, operating, care and maintenance instructions. This PROFLO faucet carries a limited lifetime warranty when installed in residential applications. The warranty is five years in commercial applications. This product meets ASME: A112.18.1. Compliant with lead content requirements of US Senate Bill S.3874

