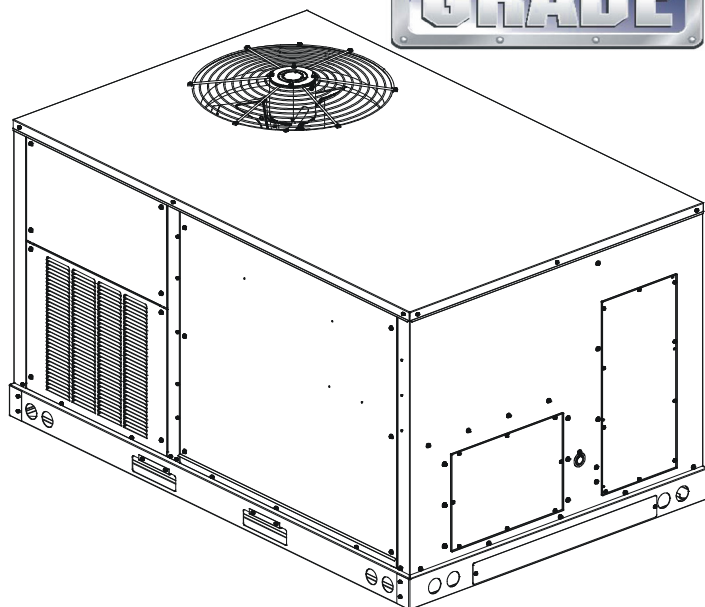


# PACKAGED AIR CONDITIONER AND HEAT PUMP UNIT 3-6 TON DIRECT DRIVE BASE EFFICIENCY LIGHT COMMERCIAL DFC/DFH MODELS INSTALLATION INSTRUCTIONS



## TABLE OF CONTENTS

**SAFETY INSTRUCTIONS** ..... 2  
**REPLACEMENT PARTS** ..... 2  
**GENERAL INFORMATION** ..... 2  
**UNIT LOCATION**..... 3  
**CLEARANCES** ..... 5  
**ROOF CURB POST-INSTALLATION CHECKS** ..... 5  
**ROOF TOP DUCT CONNECTIONS**..... 5  
**RIGGING DETAILS** ..... 5  
**ELECTRICAL WIRING** ..... 7  
**CIRCULATING AIR AND FILTERS** ..... 9  
**CONDENSATE DRAIN CONNECTION** ..... 9  
**STARTUP, ADJUSTMENTS, AND CHECKS** ..... 9  
**AIR FLOW ADJUSTMENTS** ..... 11  
**HEAT PUMP OPERATION** ..... 13  
**MAINTENANCE** ..... 14  
**APPENDIX A BLOWER PERFORMANCE TABLES** ..... 17  
**APPENDIX B ELECTRICAL DATA**..... 47  
**APPENDIX C UNIT DIMENSIONS** ..... 57  
**APPENDIX D AIR FLOW FOR ELECTRIC HEAT**..... 58  
**WIRING DIAGRAM**..... 59  
**STARTUP CHECKLIST** ..... 67



**WARNING**

Do NOT BYPASS SAFETY DEVICES.

**WARNING**

**ONLY PERSONNEL THAT HAVE BEEN TRAINED TO INSTALL, ADJUST, SERVICE, MAINTENANCE OR REPAIR (HEREINAFTER, "SERVICE") THE EQUIPMENT SPECIFIED IN THIS MANUAL SHOULD SERVICE THE EQUIPMENT. THE MANUFACTURER WILL NOT BE RESPONSIBLE FOR ANY INJURY OR PROPERTY DAMAGE ARISING FROM IMPROPER SERVICE OR SERVICE PROCEDURES. IF YOU SERVICE THIS UNIT, YOU ASSUME RESPONSIBILITY FOR ANY INJURY OR PROPERTY DAMAGE WHICH MAY RESULT. IN ADDITION, IN JURISDICTIONS THAT REQUIRE ONE OR MORE LICENSES TO SERVICE THE EQUIPMENT SPECIFIED IN THIS MANUAL, ONLY LICENSED PERSONNEL SHOULD SERVICE THE EQUIPMENT. IMPROPER INSTALLATION, ADJUSTMENT, SERVICING, MAINTENANCE OR REPAIR OF THE EQUIPMENT SPECIFIED IN THIS MANUAL, OR ATTEMPTING TO INSTALL, ADJUST, SERVICE OR REPAIR THE EQUIPMENT SPECIFIED IN THIS MANUAL WITHOUT PROPER TRAINING MAY RESULT IN PRODUCT DAMAGE, PROPERTY DAMAGE, PERSONAL INJURY OR DEATH.**

**WARNING**

CHILDREN BEING SUPERVISED NOT TO PLAY WITH THE APPLIANCE.

**WARNING**

**THE APPLIANCE IS NOT TO BE USED BY PERSONS (INCLUDING CHILDREN) WITH REDUCED CAPABILITIES, OR LACK OF EXPERIENCE AND KNOWLEDGE, UNLESS THEY HAVE BEEN GIVEN SUPERVISION OR INSTRUCTION.**

Our continuing commitment to quality products may mean a change in specifications without notice.

© 2021-2022 **DAIKIN COMFORT TECHNOLOGIES MANUFACTURING, L.P.**



## SAFETY INSTRUCTIONS



**RECOGNIZE THIS SYMBOL AS A SAFETY PRECAUTION.**

These installation instructions cover the **outdoor** installation of single package heating and cooling units. See the Specification Sheet applicable to your model for information regarding accessories.

**\*NOTE: PLEASE CONTACT YOUR DISTRIBUTOR OR OUR WEBSITE FOR THE APPLICABLE SPECIFICATION SHEET REFERRED TO IN THIS MANUAL.**

### To The Installer

Before installing this unit, please read this manual to familiarize yourself on the specific items which must be adhered to, including maximum external static pressure to unit, air temperature rise, minimum or maximum CFM and motor speed connections.

**Keep this literature in a safe place for future reference.**



### CAUTION

SHEET METAL PARTS, SCREWS, CLIPS AND SIMILAR ITEMS INHERENTLY HAVE SHARP EDGES, AND IT IS NECESSARY THAT THE INSTALLER AND SERVICE PERSONNEL EXERCISE CAUTION.



### WARNING

DO NOT CONNECT TO OR USE ANY DEVICE THAT IS NOT DESIGN CERTIFIED BY THE MANUFACTURER FOR USE WITH THIS UNIT. SERIOUS PROPERTY DAMAGE, PERSONAL INJURY, REDUCED UNIT PERFORMANCE AND/OR HAZARDOUS CONDITIONS MAY RESULT FROM THE USE OF SUCH NON-APPROVED DEVICES.



### WARNING

TO AVOID PROPERTY DAMAGE, PERSONAL INJURY OR DEATH, DO NOT USE THIS UNIT IF ANY PART HAS BEEN UNDER WATER. IMMEDIATELY CALL A QUALIFIED SERVICE TECHNICIAN TO INSPECT THE FURNACE AND TO REPLACE ANY PART OF THE CONTROL SYSTEM AND ANY GAS CONTROL HAVING BEEN UNDER WATER.



### WARNING

THIS UNIT MUST NOT BE USED AS A "CONSTRUCTION HEATER" DURING THE FINISHING PHASES OF CONSTRUCTION ON A NEW STRUCTURE. THIS TYPE OF USE MAY RESULT IN PREMATURE FAILURE OF THE UNIT DUE TO EXTREMELY LOW RETURN AIR TEMPERATURE AND EXPOSURE TO CORROSIVE OR VERY DIRTY ATMOSPHERES.



### WARNING

TO PREVENT THE RISK OF PROPERTY DAMAGE, PERSONAL INJURY, OR DEATH, DO NOT STORE COMBUSTIBLE MATERIALS OR USE GASOLINE OR OTHER FLAMMABLE LIQUIDS OR VAPORS IN THE VICINITY OF THIS APPLIANCE.



### WARNING

**HIGH VOLTAGE!**  
DISCONNECT ALL POWER BEFORE SERVICING OR INSTALLING THIS UNIT. MULTIPLE POWER SOURCES MAY BE PRESENT. FAILURE TO DO SO MAY CAUSE PROPERTY DAMAGE, PERSONAL INJURY OR DEATH.



## REPLACEMENT PARTS

### ORDERING PARTS

When reporting shortages or damages, or ordering repair parts, give the complete unit model and serial numbers as stamped on the unit's nameplate.

Replacement parts for this appliance are available through your contractor or local distributor. For the location of your nearest distributor, see website [www.daikincomfort.com](http://www.daikincomfort.com) or contact:

EQUIPMENT SUPPORT  
DAIKIN COMFORT TECHNOLOGIES  
MANUFACTURING, L.P.  
19001 KERMIER ROAD  
WALLER, TEXAS 77484  
855-770-5678

## GENERAL INFORMATION



### WARNING

TO PREVENT PROPERTY DAMAGE, PERSONAL INJURY OR DEATH, DUE TO FIRE, EXPLOSIONS, SMOKE, SOOT, CONDENSATION, ELECTRIC SHOCK OR CARBON MONOXIDE, THIS UNIT MUST BE PROPERLY INSTALLED, REPAIRED, OPERATED, AND MAINTAINED.

**This unit is approved for outdoor installation ONLY.** Rated performance is achieved after 20 hours of operation. Rated performance is delivered at the specified airflow. See product specification sheet for light commercial models. Specification sheets can be found at [www.daikincomfort.com](http://www.daikincomfort.com) for Daikin brand products. Within the website, please select the light commercial products menu and then select the submenu for the type of product to be installed, such as air conditioners or heat pumps, to access a list of product pages that each contain links to that model's specification sheet.

To assure that your unit operates safely and efficiently, it must be installed, operated, and maintained in accordance with these installation and operating instructions, and all local codes. In situations where these conflict, local codes take precedence.

## EPA REGULATIONS

**IMPORTANT: THE UNITED STATES ENVIRONMENTAL PROTECTION AGENCY (EPA) HAS ISSUED VARIOUS REGULATIONS REGARDING THE INTRODUCTION AND DISPOSAL OF REFRIGERANTS IN THIS UNIT. FAILURE TO FOLLOW THESE REGULATIONS MAY HARM THE ENVIRONMENT AND CAN LEAD TO THE IMPOSITION OF SUBSTANTIAL FINES. BECAUSE REGULATIONS MAY VARY DUE TO PASSAGE OF NEW LAWS, WE SUGGEST A CERTIFIED TECHNICIAN PERFORM ANY WORK DONE ON THIS UNIT. SHOULD YOU HAVE ANY QUESTIONS PLEASE CONTACT THE LOCAL OFFICE OF THE EPA.**

## NATIONAL CODES

This product is designed and manufactured to permit installation in accordance with National Codes. It is the installer's responsibility to install the product in accordance with National Codes and/or prevailing local codes and regulations.

The heating and cooling capacities of the unit should be greater than or equal to the design heating and cooling loads of the area to be conditioned. The loads should be calculated by an approved method or in accordance with ASHRAE Guide or Manual J - Load Calculations published by the Air Conditioning Contractors of America.

Obtain from:  
American National Standards Institute  
25 West 43rd Street, 4th Floor  
New York, NY 10036

System design and installation should also, where applicable, follow information presented in accepted industry guides such as the ASHRAE Handbooks. The manufacturer assumes no responsibility for equipment installed in violation of any local codes. The mechanical installation of the packaged roof top units consists of making final connections between the unit and building services; supply and return duct connections; and drain connections (if required). The internal systems of the unit are completely factory-installed and tested prior to shipment.

Units are generally installed on a steel roof mounting curb assembly which has been shipped to the job site for installation on the roof structure prior to the arrival of the unit. The model number shown on the unit's identification plate identifies the various components of the unit such as refrigeration tonnage, heating output and voltage.

Carefully inspect the unit for damage including damage to the cabinetry. Any bolts or screws which may have loosened in transit must be re-tightened.

In the event of damage, the receiver should:

1. Make notation on delivery receipt of any visible damage to shipment or container.
2. Notify the carrier promptly and request an inspection.
3. In case of concealed damage, the carrier should be notified as soon as possible-preferably within 5 days.

4. File the claim with the following supporting documents:
  - a. Original Bill of Lading, certified copy, or indemnity bond.
  - b. Original paid freight bill or indemnity in lieu thereof.
  - c. Original invoice or certified copy thereof, showing trade and other discounts or reductions.
  - d. Copy of the inspection report issued by the carrier representative at the time damage is reported to the carrier. The carrier is responsible for making prompt inspection of damage and for a thorough investigation of each claim. The distributor or manufacturer will not accept claims from dealers for transportation damage.

**NOTE: WHEN INSPECTING THE UNIT FOR TRANSPORTATION DAMAGE, REMOVE ALL PACKAGING MATERIALS. RECYCLE OR DISPOSE OF THE PACKAGING MATERIAL ACCORDING TO LOCAL CODES.**

## PRE-INSTALLATION CHECKS

Carefully read all instructions for the installation prior to installing unit. Ensure each step or procedure is understood and any special considerations are taken into account before starting installation. Assemble all tools, hardware and supplies needed to complete the installation. Some items may need to be purchased locally.

**NOTE: VERIFY THAT THE VOLTAGE LISTED ON THE UNIT DATA PLATE MATCHES THE VOLTAGE SUPPLIED BY THE BUILDING UTILITIES.**

## UNIT LOCATION



### WARNING

**TO PREVENT POSSIBLE EQUIPMENT DAMAGE, PROPERTY DAMAGE, PERSONAL INJURY OR DEATH, THE FOLLOWING BULLET POINTS MUST BE OBSERVED WHEN INSTALLING THE UNIT.**

**IMPORTANT NOTE: REMOVE WOOD SHIPPING RAILS PRIOR TO INSTALLATION OF THE UNIT.**

## ALL INSTALLATIONS:

**IMPORTANT NOTE: UNIT SHOULD BE ENERGIZED 24 HOURS PRIOR TO COMPRESSOR START UP TO ENSURE CRANKCASE HEATER HAS SUFFICIENTLY WARMED THE COMPRESSORS. COMPRESSOR DAMAGE MAY OCCUR IF THIS STEP IS NOT FOLLOWED.**

**NOTE: APPLIANCE IS SHIPPED FROM FACTORY FOR VERTICAL DUCT APPLICATION.**

Proper installation of the unit ensures trouble-free operation. Improper installation can result in problems ranging from noisy operation to property or equipment damages, dangerous conditions that could result in injury or personal property damage and that are not covered by the warranty. Give this booklet to the user and explain it's provisions. The user should retain these instructions for future reference.

- To avoid possible illness or death of the building occupants, do NOT locate outside air intake device (economizer, manual fresh air intake, motorized fresh air intake) too close to an exhaust outlet, gas vent termination, or plumbing vent outlet. For specific distances required, consult local codes.
- Allow minimum clearances from the enclosure for fire protection, proper operation, and service access (see unit clearances). These clearances must be permanently maintained.
- When the unit is heating, the temperature of the return air entering the unit must be a minimum of 55° F.

#### **GROUND LEVEL INSTALLATIONS ONLY:**

- When the unit is installed on the ground adjacent to the building, a level concrete (or equal) base is recommended. Prepare a base that is 3" larger than the package unit footprint and a minimum of 3" thick.
- The base should also be located where no runoff of water from higher ground can collect in the unit.

#### **ROOF TOP INSTALLATIONS ONLY:**

- To avoid possible property damage or personal injury, the roof must have sufficient structural strength to carry the weight of the unit(s) and snow or water loads as required by local codes. Consult a structural engineer to determine the weight capabilities of the roof.
- The unit may be installed directly on wood floors or on Class A, Class B, or Class C roof covering material.
- To avoid possible personal injury, a safe, flat surface for service personnel should be provided.
- Adequate clearances from the unit to any adjacent public walkways, adjacent buildings, building openings or openable windows must be maintained in accordance with local codes.

#### **UNIT PRECAUTIONS**

- Do not stand or walk on the unit.
- Do not drill holes anywhere in panels or in the base frame of the unit except where indicated. Unit access panels provide structural support.
- Do not remove any access panels until unit has been installed on roof curb or field supplied structure.
- Do not roll unit across finished roof without prior approval of owner or architect.
- Do not skid or slide on any surface as this may damage unit base. The unit must be stored on a flat, level surface. Protect the condenser coil because it is easily damaged.

#### **ROOF CURB INSTALLATIONS ONLY:**

Curb installations must comply with local codes and should be done in accordance with the established guidelines of the National Roofing Contractors Association.

Proper unit installation requires that the roof curb be firmly and permanently attached to the roof structure. Check for adequate fastening method prior to setting the unit on the curb.

Full perimeter roof curbs are available from the factory and are shipped unassembled. Field assembly, squaring, leveling and mounting on the roof structure are the responsibility of the installing contractor. All required hardware necessary for the assembly of the sheet metal curb is included in the curb accessory.



#### **WARNING**

**TO PREVENT POSSIBLE EQUIPMENT DAMAGE, PROPERTY DAMAGE, PERSONAL INJURY OR DEATH, THE FOLLOWING BULLET POINTS MUST BE OBSERVED WHEN INSTALLING THE UNIT.**

- Sufficient structural support must be determined prior to locating and mounting the curb and package unit.
- Ductwork must be constructed using industry guidelines. The duct work must be placed into the roof curb before mounting the package unit. Our full perimeter curbs include duct connection frames to be assembled with the curb. Cantilevered type curbs are not available from the factory.
- Curb insulation, cant strips, flashing and general roofing material are furnished by the contractor.
- The curbs must be supported on parallel sides by roof members.
- The roof members must not penetrate supply and return duct opening areas as damage to the unit might occur.

**NOTE: THE UNIT AND CURB ACCESSORIES ARE DESIGNED TO ALLOW VERTICAL DUCT INSTALLATION BEFORE UNIT PLACEMENT. DUCT INSTALLATION AFTER UNIT PLACEMENT IS NOT RECOMMENDED.**



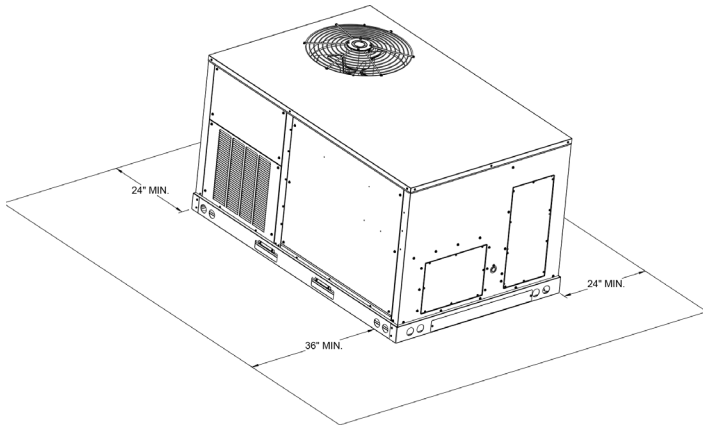
#### **CAUTION**

**ALL CURBS LOOK SIMILAR. TO AVOID INCORRECT CURB POSITIONING, CHECK JOB PLANS CAREFULLY AND VERIFY MARKINGS ON CURB ASSEMBLY. INSTRUCTIONS MAY VARY IN CURB STYLES AND SUPERSEDES INFORMATION SHOWN.**

See the manual shipped with the roof curb for assembly and installation instructions.



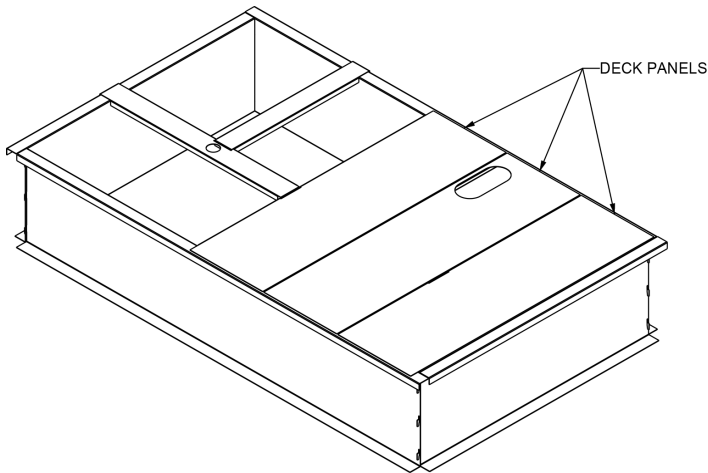
## CLEARANCES



UNIT CLEARANCES

*\*In situations that have multiple units, a 36" minimum clearance is required between the condenser coils.*

Adequate clearance around the unit should be kept for safety, service, maintenance, and proper unit operation. A clearance of 48" is recommended on all sides of the unit to facilitate possible parts replacement, to allow service access and to insure proper ventilation and condenser airflow. The top of the unit should be completely unobstructed. If units are to be located under an overhang, there should be a minimum of 48" clearance and provisions made to deflect the warm discharge air out from the overhang. The unit should be installed remote from all building exhausts to inhibit ingestion of exhaust air into the unit fresh air intake.



ROOF CURB INSTALLATION

## ROOF CURB POST-INSTALLATION CHECKS

After installation, check the top of the curb, duct connection frame and duct flanges to make sure gasket has been applied properly. Gasket should be firmly applied to the top of the curb perimeter, duct flanges and any exposed duct connection frame. If gasket is loose, re-apply using strong weather resistant adhesive.

## PROTRUSION

Inspect curb to ensure that none of the utility services (electric) routed through the curb protrude above the curb.

**NOTE: IF FASTENERS ARE USED TO SECURE THE DUCT WORK TO THE CURB, THESE SHOULD BE INSTALLED HORIZONTALLY INTO THE FLANGES OF THE DUCT OPENING OF THE CURB.**



## CAUTION

IF PROTRUSIONS EXIST, DO NOT ATTEMPT TO SET UNIT ON CURB.

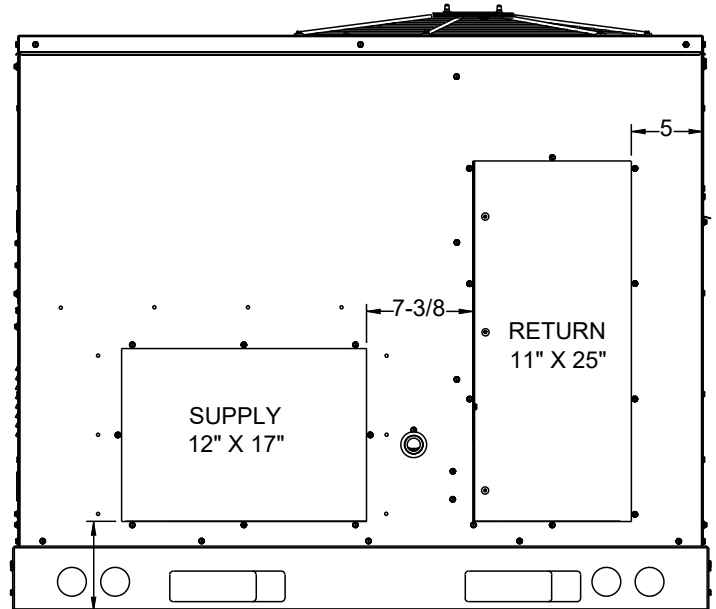
## ROOF TOP DUCT CONNECTIONS

Install all duct connections on the unit before placing the unit on rooftop.

### HORIZONTAL DISCHARGE

Refer to IOD-7082 included in the literature pack for installing horizontal duct covers.

Flexible duct connectors between the unit and ducts are recommended. Insulate and weatherproof all external ductwork and joints as required and in accordance with local codes.



HORIZONTAL DISCHARGE DUCT CONNECTIONS

## RIGGING DETAILS



## WARNING

TO PREVENT PROPERTY DAMAGE, THE UNIT SHOULD REMAIN IN AN UPRIGHT POSITION DURING ALL RIGGING AND MOVING OPERATIONS. TO FACILITATE LIFTING AND MOVING WHEN A CRANE IS USED, PLACE THE UNIT IN AN ADEQUATE CABLE SLING.



## CAUTION

IF UNITS ARE LIFTED TWO AT A TIME, THE FORK HOLES ON THE CONDENSER END OF THE UNIT MUST NOT BE USED. MINIMUM FORK LENGTH IS 42" TO PREVENT DAMAGE TO THE UNIT; HOWEVER, 48" IS RECOMMENDED.

PROVISIONS FOR FORKS HAVE BEEN INCLUDED IN THE UNIT BASE FRAME. NO OTHER FORK LOCATIONS ARE APPROVED.



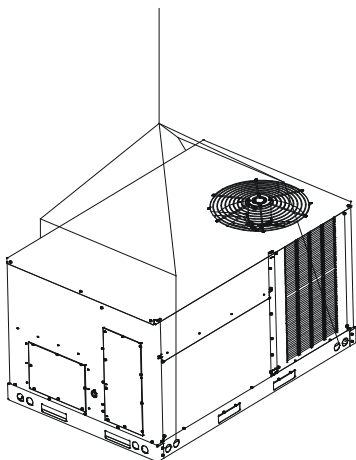
## WARNING

TO PREVENT POSSIBLE EQUIPMENT DAMAGE, PROPERTY DAMAGE, PERSONAL INJURY OR DEATH, THE FOLLOWING BULLET POINTS MUST BE OBSERVED WHEN INSTALLING THE UNIT.

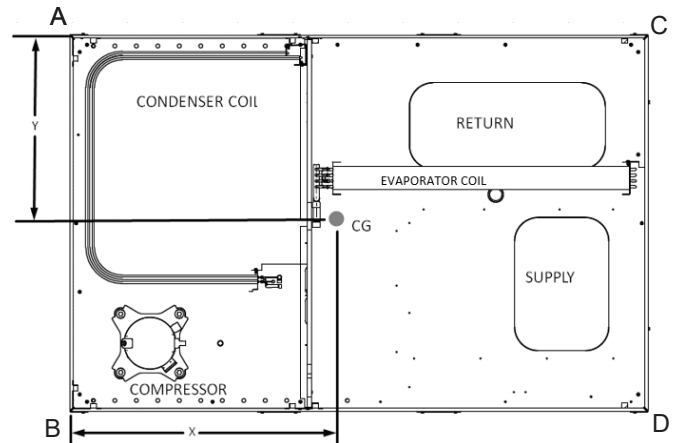
- Unit must be lifted by the four lifting holes located at the base frame corners.
- Lifting cables should be attached to the unit with shackles.
- The distance between the crane hook and the top of the unit must not be less than 60".
- Two spreader bars must span over the unit to prevent damage to the cabinet by the lift cables. Spreader bars must be of sufficient length so that cables do not come in contact with the unit during transport. Remove wood struts mounted beneath unit base frame before setting unit on roof curb. These struts are intended to protect unit base frame from fork lift damage. Removal is accomplished by extracting the sheet metal retainers and pulling the struts through the base of the unit. Refer to rigging label on the unit.

**IMPORTANT: IF USING BOTTOM DISCHARGE WITH ROOF CURB, DUCTWORK SHOULD BE ATTACHED TO THE CURB PRIOR TO INSTALLING THE UNIT. DUCTWORK DIMENSIONS ARE SHOWN IN ROOF CURB INSTALLATION INSTRUCTIONS.**

Refer to the Roof Curb Installation Instructions for proper curb installation. Curbing must be installed in compliance with the National Roofing Contractors Association Manual.



To assist in determining rigging requirements, unit weights and center of gravity are shown as follows:



CORNER AND CENTER OF GRAVITY LOCATIONS

**NOTE: UNIT SHOULD BE LIFTED AT A POINT ABOVE CENTER OF GRAVITY.**

Model	Shipping Weight (lbs)	Operating Weight (lbs)	Corner Weights (lbs)				Length X (in)	Width Y (in)
			A	B	C	D		
DFC0361D	554	484	117	142	80	145	34.4	28.6
DFC0363D	552	482	117	140	80	145	34.5	28.6
DFC0364D	560	490	117	142	80	151	34.9	28.9
DFC0367D	560	490	117	142	80	151	34.9	28.9
DFC0481D	577	507	134	152	87	134	32.3	27.2
DFC0483D	572	502	134	147	87	134	32.6	27.0
DFC0484D	576	506	134	147	87	138	32.9	27.2
DFC0487D	576	506	134	147	87	138	32.9	27.2
DFC0601D	582	512	113	166	104	129	33.7	27.8
DFC0603D	578	508	113	162	104	129	33.9	27.7
DFC0604D	582	512	113	162	104	133	34.3	27.8
DFC0607D	582	512	113	162	104	133	34.3	27.8
DFC0723D	651	581	143	178	90	170	33.1	28.9
DFC0724D	651	581	143	178	90	170	33.1	28.9
DFC0727D	651	581	143	178	90	170	33.1	28.9

THE NUMBERS MAY SLIGHTLY VARY DEPENDING ON INSTALLED OPTIONS.  
DFC WEIGHTS TABLE

Model	Shipping Weight (lbs)	Operating Weight (lbs)	Corner Weights (lbs)				Length X (in)	Width Y (in)
			A	B	C	D		
DFH0361D	606	536	95	194	103	144	34.1	26.0
DFH0363D	605	535	95	193	103	144	34.2	26.0
DFH0364D	613	543	95	194	103	151	34.6	25.7
DFH0367D	613	543	95	194	103	151	34.6	25.7
DFH0481D	657	587	95	221	109	162	34.2	26.0
DFH0483D	652	582	95	216	109	162	34.5	25.8
DFH0484D	656	586	95	216	109	166	34.7	25.6
DFH0487D	656	586	95	216	109	166	34.7	25.6
DFH0601D	670	600	101	225	112	162	33.8	26.2
DFH0603D	666	596	101	221	112	162	34.0	26.1
DFH0604D	670	600	101	221	112	166	34.3	25.9
DFH0607D	670	600	101	221	112	166	34.3	25.9
DFH0723D	715	645	110	242	122	171	33.6	26.4
DFH0724D	715	645	110	242	122	171	33.6	26.4
DFH0727D	715	645	110	242	122	171	33.6	26.4

THE NUMBERS MAY SLIGHTLY VARY DEPENDING ON INSTALLED OPTIONS.  
DFH WEIGHTS TABLE



## CAUTION

TO PREVENT DAMAGE TO THE WIRING, PROTECT WIRING FROM SHARP EDGES. FOLLOW NATIONAL ELECTRICAL CODE AND ALL LOCAL CODES. DO NOT ROUTE WIRES THROUGH REMOVABLE ACCESS PANELS.



## CAUTION

**TO PREVENT SEVERE DAMAGE TO THE BOTTOM OF THE UNIT, DO NOT FORK LIFT UNIT AFTER WOOD STRUTS HAVE BEEN REMOVED.**

Bring condenser end of unit into alignment with the curb first. Lower unit carefully onto roof mounting curb. When a rectangular cantilever curb is used, care should be taken to center the unit. Check for proper alignment and orientation of supply and return openings with duct.

### RIGGING REMOVAL



## CAUTION

**TO PREVENT DAMAGE TO THE UNIT, DO NOT ALLOW CRANE HOOKS AND SPREADER BARS TO REST ON THE ROOF OF THE UNIT.**

Remove spreader bars, lifting cables and other rigging equipment.

## ELECTRICAL WIRING



## WARNING

### HIGH VOLTAGE!

**DISCONNECT ALL POWER BEFORE SERVICING OR INSTALLING THIS UNIT. MULTIPLE POWER SOURCES MAY BE PRESENT. FAILURE TO DO SO MAY CAUSE PROPERTY DAMAGE, PERSONAL INJURY OR DEATH.**



## WARNING

### HIGH VOLTAGE!

**TO AVOID PERSONAL INJURY OR DEATH DUE TO ELECTRICAL SHOCK, DO NOT TAMPER WITH FACTORY WIRING. THE INTERNAL POWER AND CONTROL WIRING OF THESE UNITS ARE FACTORY-INSTALLED AND HAVE BEEN THOROUGHLY TESTED PRIOR TO SHIPMENT. CONTACT YOUR LOCAL REPRESENTATIVE IF ASSISTANCE IS REQUIRED.**



## CAUTION

**CONDUIT AND FITTINGS MUST BE WEATHER-TIGHT TO PREVENT WATER ENTRY INTO THE BUILDING.**

For unit protection, use a fuse or HACR circuit breaker that is in excess of the circuit ampacity, but less than or equal to the maximum overcurrent protection device. **DO NOT EXCEED THE MAXIMUM OVERCURRENT DEVICE SIZE SHOWN ON UNIT DATA PLATE.**

All line voltage connections must be made through weatherproof fittings. All exterior power supply and ground wiring must be in approved weatherproof conduit.

The main power supply wiring to the unit and low voltage wiring to accessory controls must be done in accordance with these instructions and prevailing local electrical codes (National Electrical Code, NFPA 70, or the Canadian Electrical Code, CSA C22.1, Part 1).

The unit is factory wired for the voltage shown on the unit's data plate. Refer to model nomenclature in Appendix B for voltage requirement for your unit.

**NOTE: IF SUPPLY VOLTAGE IS 208V, LEAD ON PRIMARY OF TRANSFORMER(S) MUST BE MOVED FROM THE 230V TO THE 208V TAP. REFER TO WIRING DIAGRAM ON UNIT FOR DETAILS.**

Main power wiring should be sized for the minimum circuit ampacity shown on the unit's database. Size wires in accordance with the ampacity tables in the prevailing local electrical codes (National Electrical Code, NFPA 70, or the Canadian Electrical Code, CSA C22.1, Part 1). If long wires are required, it may be necessary to increase the wire size to prevent excessive voltage drop. Wires should be sized for a maximum of 3% voltage drop.



## CAUTION

**TO AVOID RISK OF PROPERTY DAMAGE, PERSONAL INJURY OR FIRE, USE ONLY COPPER CONDUCTORS.**



## CAUTION

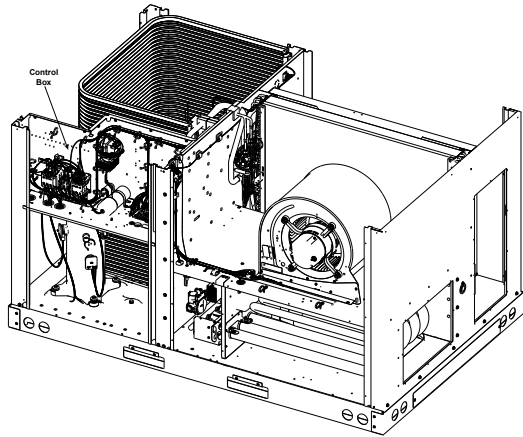
**LABEL ALL WIRES PRIOR TO DISCONNECTION WHEN SERVICING CONTROLS. WIRING ERRORS CAN CAUSE IMPROPER AND DANGEROUS OPERATION. VERIFY PROPER OPERATION AFTER SERVICING.**

**NOTE: A WEATHER-TIGHT DISCONNECT SWITCH, PROPERLY SIZED FOR THE UNIT TOTAL LOAD, MUST BE FIELD OR FACTORY INSTALLED. AN EXTERNAL FIELD SUPPLIED DISCONNECT MAY BE MOUNTED ON THE EXTERIOR PANEL. SWITCH SHALL BE PROVIDED TO ENSURE ALL-POLE DISCONNECTION FROM THE SUPPLY MAINS.**

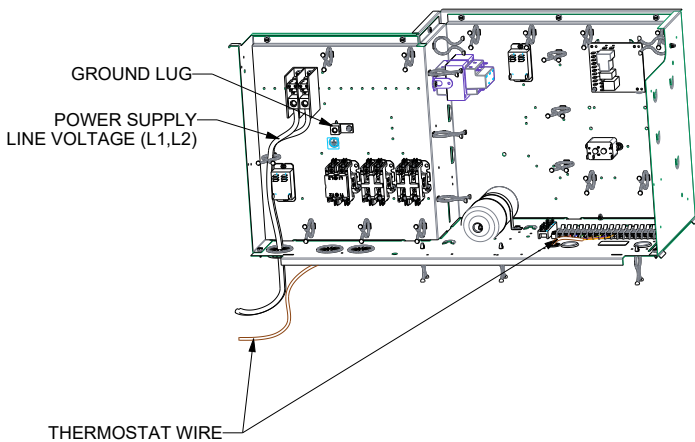
Ensure the data plate is not covered by the field-supplied disconnect switch.

- Some disconnect switches are not fused. Protect the power leads at the point of distribution in accordance with the unit data plate.
- The unit must be electrically grounded in accordance with prevailing local electrical codes (National Electrical Code, NFPA 70, or the Canadian Electrical Code, CSA C22.1, Part 1). A ground lug is provided for this purpose. Do not use the ground lug for connecting a neutral conductor.

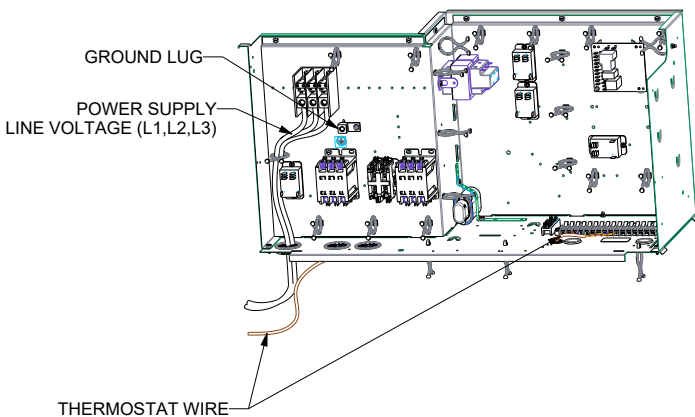
- Connect power wiring to electrical power block, ground wire to ground lug, and thermostat wiring to terminal block within the main control box.



**UNIT WITH PANELS REMOVED**



**SINGLE-PHASE FIELD CONNECTIONS**



**THREE-PHASE FIELD CONNECTIONS**

**NOTE: COMPONENTS MAY VARY DEPENDING ON UNIT CONFIGURATION.**



**WARNING**

**FAILURE OF UNIT DUE TO OPERATION ON IMPROPER LINE VOLTAGE OR WITH EXCESSIVE PHASE UNBALANCE CONSTITUTES PRODUCT ABUSE AND IS NOT COVERED BY THE WARRANTY AND MAY CAUSE SEVERE DAMAGE TO THE UNIT ELECTRICAL COMPONENTS.**

**AREAS WITHOUT CONVENIENCE OUTLET**

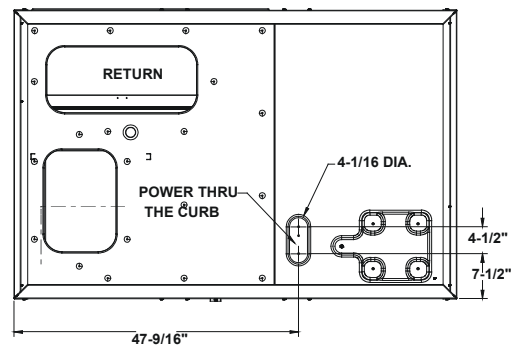
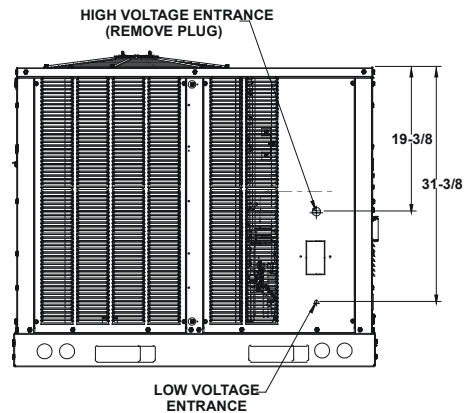
It is recommended that an independent 115V power source be brought to the vicinity of the roof top unit for portable lights and tools used by the service mechanic.

**NOTE: REFER TO LOCAL CODES FOR REQUIREMENTS. THESE OUTLETS CAN ALSO BE FACTORY INSTALLED.**

**UNITS INSTALLED ON ROOF TOPS**

Main power and low voltage wiring may enter the unit through the condenser end of unit or through the roof curb. Install conduit connectors at the designated locations. External connectors must be weatherproof. All holes in the unit base must be sealed (including those around conduit nuts) to prevent water leakage into building. All required conduit and fittings are to be field supplied.

Supply voltage to roof top unit must not vary by more than 10% of the value indicated on the unit data plate. Phase voltage unbalance must not exceed 2%. Contact your local power company for correction of improper voltage or phase unbalance.



**ELECTRICAL ENTRANCE AND THRU CURB (BOTTOM VIEW OF UNIT)**



## LOW VOLTAGE CONTROL WIRING

1. A 24V thermostat must be installed for unit operation unless the unit is equipped with factory installed DDC control.
2. Locate thermostat or remote sensor in the conditioned space where it will sense average temperature. Do not locate the device where it may be directly exposed to supply air, sunlight or other sources of heat. Follow installation instructions packaged with the thermostat.
3. Use #18 AWG wire for 24V control wiring runs not exceeding 75 feet. Use #16 AWG wire for 24V control wiring runs not exceeding 125 feet. Use #14 AWG wire for 24V control wiring runs not exceeding 200 feet. Low voltage wiring may be National Electrical Code (NEC) Class 2 where permitted by local codes.
4. Route thermostat wires from sub-base terminals to the unit. Control wiring should enter through the condenser panel opening or through curb indicated in "Electrical Entrance" figure. Connect thermostat and any accessory wiring to low voltage terminal block TB1 in the main control box.

**NOTE: FIELD-SUPPLIED CONDUIT MAY NEED TO BE INSTALLED DEPENDING ON UNIT/CURB CONFIGURATION. USE #18 AWG SOLID CONDUCTOR WIRE WHENEVER CONNECTING THERMOSTAT WIRES TO TERMINALS ON SUB-BASE. DO NOT USE LARGER THAN #18 AWG WIRE. A TRANSITION TO #18 AWG WIRE MAY BE REQUIRED BEFORE ENTERING THERMOSTAT SUB-BASE.**

**NOTE: REFER TO UNIT WIRING DIAGRAMS FOR THERMOSTAT OR REMOTE SENSOR CONNECTIONS.**

## CIRCULATING AIR AND FILTERS

### DUCTWORK

The supply duct from the unit through a wall may be installed without clearance. However, minimum unit clearances must be maintained (see "Clearances" section). The supply duct should be provided with an access panel large enough to inspect the air chamber downstream of the heat exchanger. A cover should be tightly attached to prevent air leaks.

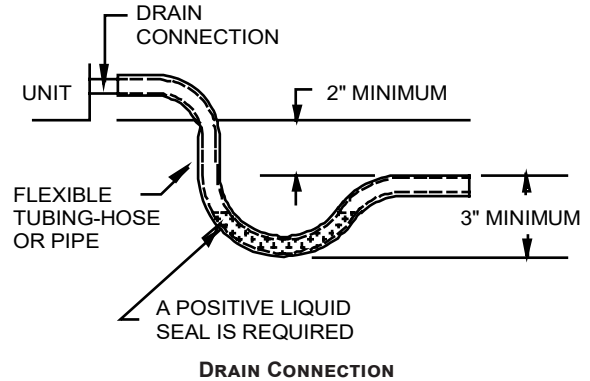
Ductwork dimensions are shown in the roof curb installation manual.

If desired, supply and return duct connections to the unit may be made with flexible connections to reduce possible unit operating sound transmission.

## CONDENSATE DRAIN CONNECTION

### CONDENSATE DRAIN CONNECTION

A 3/4" female NPT drain connection is supplied on the end of the unit and bottom of the drain pan for condensate piping. An external trap must be installed for proper condensate drainage. Hand tighten drain fitting to the drain connection.



Install condensate drain trap as shown. Use 3/4" drain line and fittings or larger. Do not operate without trap.

**NOTE: ALL THREADED CONNECTIONS SHOULD BE SEALED WITH THREAD SEALER TO PREVENT LEAKS.**

### HORIZONTAL DRAIN

Drainage of condensate directly onto the roof may be acceptable; refer to local code. It is recommended that a small drip pad of either stone, mortar, wood or metal be provided to prevent any possible damage to the roof.



### VERTICAL DRAIN

To use the bottom drain connection, remove the drain plug from the bottom connection and install it in the horizontal connection.

### CLEANING

Due to the fact that drain pans in any air conditioning unit will have some moisture in them, algae and fungus will grow due to airborne bacteria and spores. Periodic cleaning is necessary to prevent this build-up from plugging the drain.

## STARTUP, ADJUSTMENTS, AND CHECKS

 <b>WARNING</b>	
<b>HIGH VOLTAGE!</b> TO AVOID PERSONAL INJURY OR DEATH DUE TO ELECTRICAL SHOCK, BOND THE FRAME OF THIS UNIT TO THE BUILDING ELECTRICAL GROUND BY USE OF THE GROUNDING TERMINAL PROVIDED OR OTHER ACCEPTABLE MEANS. DISCONNECT ALL POWER BEFORE SERVICING OR INSTALLING THIS UNIT.	



## CAUTION

TO PREVENT PROPERTY DAMAGE OR PERSONAL INJURY, DO NOT START THE UNIT UNTIL ALL NECESSARY PRE-CHECKS AND TESTS HAVE BEEN PERFORMED.



## WARNING

**MOVING MACHINERY HAZARD!**  
TO PREVENT POSSIBLE PERSONAL INJURY OR DEATH, DISCONNECT POWER TO THE UNIT AND PADLOCK IN THE "OFF" POSITION BEFORE SERVICING FANS.

- All electric power, all gas, hot water or steam line connections, and the condensate drain installation have been made to each unit on the job. These main supply lines must be functional and capable of operating all units simultaneously.
- All filters are in place.

### PRE-STARTUP INSTRUCTIONS

On new installations, or if a major component has been replaced, the operation of the unit must be checked.

Check unit operation as outlined in the following instructions. If any sparking, odors, or unusual sounds are encountered, shut off electrical power and recheck for wiring errors, or obstructions in or near the blower motors. **If horizontal duct is installed, duct covers must be removed before operating unit.**

The Startup, Adjustments, and Checks procedure provides a step-by-step sequence which, if followed, will assure the proper startup of the equipment in the minimum amount of time. Air balancing of duct system is not considered part of this procedure. However, it is an important phase of any air conditioning system startup and should be performed upon completion of the Startup, Adjustments, and Checks procedure. The Startup, Adjustments, and Checks procedure at outside ambients below 55°F should be limited to a readiness check of the refrigeration system with the required final check and calibration left to be completed when the outside ambient rises above 55°F.

### TEMPORARY HEATING OR COOLING

If the unit is to be used for temporary heating or cooling, a "Startup, Adjustments, and Checks" must first be performed in accordance with this manual. Damage or repairs due to failure to comply with these requirements are not covered under the warranty. **After** the machines are used for temporary heating or cooling, inspect the coils, fans, and motors for unacceptable levels of construction dust and dirt and install new filters.

### CONTRACTOR RESPONSIBILITY

The installing contractor must be certain that:

- All supply and return air ductwork is in place, properly sealed, and corresponds with installation instructions.
- All thermostats and sensors are mounted and wired in accordance with installation instructions.

### ROOF CURB INSTALLATION CHECK

Inspect the roof curb for correct installation. The unit and curb assembly should be level. Inspect the flashing of the roof mounting curb to the roof, especially at the corners, for good workmanship. Also check for leaks around gaskets. Note any deficiencies in a separate report and forward to the contractor.

### OBSTRUCTIONS, FAN CLEARANCE AND WIRING

Remove any extraneous construction and shipping materials that may be found during this procedure. Rotate all fans manually to check for proper clearances and that they rotate freely. Check for bolts and screws that may have jarred loose during shipment to the job site. Re-tighten if necessary. Re-tighten all electrical connections.

### FIELD DUCT CONNECTIONS

Verify that all duct connections are tight and that there is no air bypass between supply and return.

### FILTER SECTION CHECK

Remove filter section access panels and check that filters are properly installed. Note airflow arrows on filter frames.

### PRE-STARTUP PRECAUTIONS

It is important to your safety that the unit has been properly grounded during installation. Check ground lug connection in main control box for tightness prior to closing circuit breaker or disconnect switch. Verify that supply voltage on line side of disconnect agrees with voltage on unit identification plate and is within the utilization voltage range as indicated in Appendix B Electrical Data.

**System Voltage** - That nominal voltage value assigned to a circuit or system for the purpose of designating its voltage class.

**Nameplate Voltage** - That voltage assigned to a piece of equipment for the purpose of designating its voltage class and for the purpose of defining the minimum and maximum voltage at which the equipment will operate.

**Utilization Voltage** - The voltage of the line terminals of the equipment at which the equipment must give fully satisfactory performance. Once it is established that supply voltage will be maintained within the utilization range under all system conditions, check and calculate if an unbalanced condition exists between phases. Calculate percent voltage unbalance as follows:

### Three Phase Models Only

$$3) \text{ PERCENT VOLTAGE UNBALANCE} = 100 \times \frac{2) \text{ MAXIMUM VOLTAGE DEVIATIONS FROM AVERAGE VOLTAGE}}{1) \text{ AVERAGE VOLTAGE}}$$

HOW TO USE THE FORMULA:

EXAMPLE: Line to Neutral Voltage of 220, 216, and 213

1) Average Voltage =  $220+216+213=649 / 3 = 216$

2) Maximum Voltage Deviations from Average Voltage =  $220 - 216 = 4$

$$3) \text{ Percent Voltage Unbalance} = 100 \times \frac{4}{216} = \frac{400}{216} = 1.8\%$$

Percent voltage unbalance MUST NOT exceed 2%.

## AIR FLOW ADJUSTMENTS

When the final adjustments are complete, the current draw of the motor should be checked and compared to the full load current rating of the motor. The amperage must not exceed the service factor stamped on the motor nameplate.

If an economizer is installed, check the unit operating balance with the economizer at full outside air and at minimum outside air.

High stage airflow setting to be between 300 and 500 CFM per ton. For models with electric heat, the total airflow must not be less than that required for operation of the electric heaters. See Appendix D for minimum airflow for specific electric heaters.

**NOTE: NEVER RUN CFM BELOW 300 CFM PER TON, EVAPORATOR FREEZING OR POOR UNIT PERFORMANCE IS POSSIBLE.**

### CHANGING SPEED TAPS

Adjust the CFM for the unit by changing the position of the low voltage leads on the terminal block TB1. Refer to Appendix A for blower performance at each speed tap. The below tables show the allowable speed taps and the factory locations.

**NOTE: X\* DENOTES FACTORY SPEED TAP LOCATION. IF MORE THAN ONE LEAD IS ENERGIZED SIMULTANEOUSLY, THE MOTOR WILL RUN AT THE HIGHER SPEED.**

ALLOWABLE SPEED TAPS 3-5 TON STD STATIC AC					
ID MOTOR TAPS	T1	T2	T3	T4	T5
FAN (GR)	X*	-	-	-	-
COOLING (YL)	-	X*	X	X	X
HETAING (WH)	-	-	X*	X	X

ALLOWABLE SPEED TAPS 3-5 TON STD STATIC HP					
ID MOTOR TAPS	T1	T2	T3	T4	T5
FAN (GR)	X*	-	-	-	-
COOLING/HEATING (YL)	-	X*	X	X	X
E-HEAT (WH)	-	X	X*	X	X

**NOTE: FOR MOTORS WITH 10 SPEED TAPS DH = 0VAC USES SPEED TAPS T1-T5. DH = 24VAC USES SPEED TAPS T1'-T5' (MOVE GRAY WIRE FROM DH TO TB1-S2 TO ENABLE).**

ALLOWABLE SPEED TAPS 3-5T HIGH STATIC AC										
ID MOTOR TAPS	T1	T2	T3	T4	T5	T1'	T2'	T3'	T4'	T5'
FAN (GR)	X*	-	-	-	-	X	-	-	-	-
COOLING (YL)	-	X*	X	X	X	-	X	X	X	X
HEATING (WH)	-	X	X*	X	X	-	X	X	X	X

ALLOWABLE SPEED TAPS 6T STD AND HIGH STATIC AC										
ID MOTOR TAPS	T1	T2	T3	T4	T5	T1'	T2'	T3'	T4'	T5'
FAN (GR)	X*	-	-	-	-	X	-	-	-	-
COOLING STG1 (YL)	-	X*	-	-	-	-	X	-	-	-
COOLING STG2 (PU)	-	-	X	X*	X	-	-	X	X	X
HEATING (WH)	-	-	X*	X	X	-	-	X	X	X

ALLOWABLE SPEED TAPS 3-5T HIGH STATIC HP										
ID MOTOR TAPS	T1	T2	T3	T4	T5	T1'	T2'	T3'	T4'	T5'
FAN (GR)	X*	-	-	-	-	X	-	-	-	-
COOLING/HEATING (YL)	-	X*	X	X	X	-	X	X	X	X
E-HEAT (WH)	-	X	X*	X	X	-	X	X	X	X

ALLOWABLE SPEED TAPS 6T STD AND HIGH STATIC HP										
ID MOTOR TAPS	T1	T2	T3	T4	T5	T1'	T2'	T3'	T4'	T5'
FAN (GR)	X*	-	-	-	-	X	-	-	-	-
COOLING/HEATING STG1 (YL)	-	X*	-	-	-	-	X	-	-	-
COOLING/HEATING STG2 (PU)	-	-	X*	X	X	-	-	X	X	X
E-HEAT HIGH (BR)	-	-	X	X*	X	-	-	X	X	X
E-HEAT LOW (WH)	-	-	X	X*	X	-	-	X	X	X

**NOTE: ON UNITS WITH DDC CONTROLS INSTALLED, REFER TO THE DDC USER MANUAL FOR DETAILS ON MAKING AIRFLOW ADJUSTMENTS. INDIVIDUAL SETTINGS ARE AVAILABLE FOR FAN ONLY, LOW STAGE COOLING, HIGH STAGE COOLING, LOW STAGE HEATING, AND HIGH STAGE HEATING WHICH CAN BE ADJUSTED AS NEEDED TO MEET AIRFLOW REQUIREMENTS.**

### CHECKING SUBCOOLING

$$\text{SUBCOOLING} = \text{SAT LIQUID LINE TEMP} - \text{LIQUID LINE TEMP}$$

#### EXAMPLE:

- Liquid Line Pressure = 417 PSI
- Corresponding Temp = 120°F
- Thermometer on Liquid Line = 109°F

To obtain the amount of subcooling, subtract 109°F from 120°F. The difference is 11° subcooling. The appropriate range for each model is available in the Unit Subcooling and Superheat table.

**NOTE: UNITS WITH A TXV SHOULD BE CHARGED TO SUBCOOLING ONLY. ENSURE THE AIR FLOW IS CORRECT BEFORE MAKING ANY ADJUSTMENTS.**

### CHECKING SUPERHEAT

$$\text{SUPERHEAT} = \text{SUCTION LINE TEMP} - \text{SAT SUCTION LINE TEMP}$$

#### EXAMPLE:

- Suction Line Pressure = 143 PSI
- Corresponding Temp = 50°F
- Thermometer on Suction Line = 59°F

To obtain the amount of superheat, subtract 50.0 from 59.0°F. The difference is 9° Superheat. The appropriate range for each model is available in the Unit Subcooling and Superheat table.

### TXV SUPERHEAT ADJUSTMENT

**NOTE: SUPERHEAT ADJUSTMENTS SHOULD NOT BE MADE UNTIL INDOOR AMBIENT CONDITIONS HAVE STABILIZED. THIS COULD TAKE UP TO 24 HOURS DEPENDING ON INDOOR TEMPERATURE AND HUMIDITY. BEFORE CHECKING SUPERHEAT, RUN THE UNIT IN COOLING FOR 15-20 MINUTES OR UNTIL REFRIGERANT PRESSURE STABILIZE.**

Unscrew the cover from the expansion valve, locate the adjustment screw, and turn in clockwise (in) to increase superheat or counterclockwise (out) to decrease superheat. It is recommended to make small adjustments at a time, 1/8 - 1/4 turn increments. Replace adjustment cap. Wait a minimum of 15 minutes between adjustments to allow time for the TXV and pressure to stabilize.

### REFRIGERANT CHARGE CHECK

**NOTE: FOR OPTIMAL PERFORMANCE, FOLLOW CHARGING INSTRUCTIONS BELOW.**

#### UNITS WITH FIXED ORIFICE DEVICES

All package units with fixed orifice devices are charged using the superheat method at the compressor suction line. To increase superheat, remove charge, and to decrease superheat, add charge. After superheat is adjusted, it is recommended to check unit subcooling at the condenser coil liquid line. The appropriate range for each model is available in the Unit Subcooling and Superheat table.

#### UNITS WITH TXV

##### Single Stage Cooling Application:

Refer to the Unit Subcooling and Superheat table.

##### Two Stage Cooling Application:

Run unit on Low Stage cooling and refer to Unit Subcooling and Superheat table.

1. Purge gauge lines. Connect service gauge manifold to access fittings. Run system at least 10 minutes to allow pressure to stabilize.
2. Temporarily install thermometer on liquid (small) line near liquid line access fitting with adequate contact and insulation for best possible reading
3. Check subcooling and superheat. The appropriate range for each model is available in the Unit Subcooling and Superheat table.
  - a. If subcooling and superheat are low, adjust TXV superheat, then check subcooling.
 

**NOTE:** To adjust superheat, turn the valve stem clockwise to increase and counterclockwise to decrease.
  - b. If subcooling is low and superheat is high, add charge to raise subcooling then check superheat.

- c. If subcooling and superheat are high, adjust TXV superheat, then check subcooling.
- d. If subcooling is high and superheat is low, adjust TXV superheat and remove charge to lower the subcooling

**NOTE:** Do NOT adjust the charge based on suction pressure unless there is a gross undercharge. If an undercharge is suspected, recover the charge, re-evacuate the system, and recharge per data plate. No adjustments should be made if suspecting a charge issue.

4. Disconnect manifold set, installation is complete.

Model	Superheat (°F)	Subcooling (°F)	Expansion Device	Cooling Stage	Outdoor Ambient (°F)
DFC036	9 - 11	15 - 17	TXV	High	95
DFC048	8 - 10	14 - 16	TXV	High	95
DFC060	11 - 13	15 - 17	TXV	High	95
DFC072	8 - 10	9 - 11	TXV	Low	82
DFH036	10 - 12	15 - 17	TXV	High	95
DFH048	14 - 16	12 - 14	TXV	High	95
DFH060	12 - 14	14 - 16	TXV	High	95
DFH072	14 - 16	9 - 11	TXV	Low	82

### START-UP PROCEDURE AND CHECKLIST

Begin with power turned off at all disconnects.



#### AIR CONDITIONING START-UP PROCEDURE

1. Ensure the thermostat is set to OFF and Fan is set to Auto.
2. Inspect all registers and set them to the normal open position.
3. Turn on the electrical supply at the disconnect.
4. Turn the fan switch to the "ON" position. The blower should operate after a 7 second delay.
5. Turn the fan switch to "Auto" position. The blower should stop after a 60 second delay.
6. Set the thermostat to Cool mode and slowly lower the cooling temperature until the unit starts. The compressor, blower and fan should now be operating. Allow the unit to run 10 minutes, make sure cool air is being supplied by the unit.
7. Check that the compressor is operating correctly. The scroll compressors in these units MUST operate in the proper rotation. To ensure the compressors are operating in the correct direction, check the compressor discharge line pressure or temperature after the compressor is started. The discharge pressure and discharge line temperature should increase. If this does not occur and the compressor is producing an exceptional amount of noise, this indicates that there is a phasing issue. Perform the following to correct:
  - 7.1 Turn power to the unit OFF.
  - 7.2 Switch any two leads of power supply at unit Single Point Power Block.
  - 7.3 Turn power to the unit ON.
  - 7.4 Perform step 7 again.



8. Turn the temperature setting to the highest position, stopping the unit. The indoor blower will continue to run for 60 seconds.
9. Turn the thermostat system switch to "OFF" and disconnect all power when servicing the unit.

**NOTE: THE COMPRESSOR HAS 180 SECOND RE-START DELAY ON TIMER TO AVOID SHORT CYCLING.**

 <b>WARNING</b>
<p><b>HIGH VOLTAGE!</b>  <b>DISCONNECT ALL POWER BEFORE SERVICING OR INSTALLING THIS UNIT. MULTIPLE POWER SOURCES MAY BE PRESENT. FAILURE TO DO SO MAY CAUSE PROPERTY DAMAGE, PERSONAL INJURY OR DEATH.</b></p>


### HEAT PUMP START-UP PROCEDURE

10. Check the cooling mode for the heat pump in the same manner as above. The reversing valve is energized when the thermostat is placed in the cooling position. A clicking sound should be noticeable from the reversing valve. By lowering the temperature setting to call for cooling, the solenoid valve is energized. The compressor, blower and fan should then be running. After the cooling mode is checked out, turn the thermostat system switch to "OFF".
11. Turn the thermostat system switch to "HEAT" and fan switch to "AUTO".
12. Slowly raise the heating temperature setting. When the heating first stage makes contact, stop raising the temperature setting. The compressor, blower and fan should now be running with the reversing valve in the deenergized (heating) position. After giving the unit time to settle out, make sure the unit is supplying heated air.
 

**NOTE:** If the outdoor ambient is above 80°F, the unit may trip on its high pressure cut out when on heating. The compressor should stop. The heating cycle must be thoroughly checked, so postpone the test to another day when conditions are more suitable but-DO NOT FAIL TO TEST. If the outdoor ambient is low and the unit operates properly on the heating cycle, you may check the pressure cutout operation by blocking off the indoor return air until the unit trips.
13. Once the heating has been confirmed, raise the temperature setting until the second stage heating makes contact. Supplemental resistance heat, if installed should now come on. Make sure it operates properly.
14. For thermostats with emergency heat switch, set thermostat to Emergency Heat mode. The heat pump will stop, the blower will continue to run, all heaters will come on and the thermostat emergency heat light will come on. Confirm heaters operate normally.

### FINAL SYSTEM CHECKS

15. Check to see if all supply and return air grilles are adjusted and the air distribution system is balanced for the best compromise between heating and cooling.
16. Check for air leaks in the ductwork. See Sections on Air Flow Adjustments.
17. Make sure the unit is free of "rattles", and the tubing in the unit is free from excessive vibration. Also make sure tubes or lines are not rubbing against each other or sheet metal surfaces or edges. If so, correct the trouble.
18. Set the thermostat at the appropriate setting for cooling and heating or automatic changeover for normal use.
19. Be sure the Owner is instructed on the unit operation, filter, servicing, correct thermostat operation, etc.

### REFRIGERATION PERFORMANCE CHECK

Check that compressor RLA corresponds to values shown in Appendix B. RLA draw can be much lower than values listed at low load conditions and low ambient condensing temperatures. Values in Appendix B can slightly exceed at high load conditions and high ambient condensing temperatures.

## HEAT PUMP OPERATION

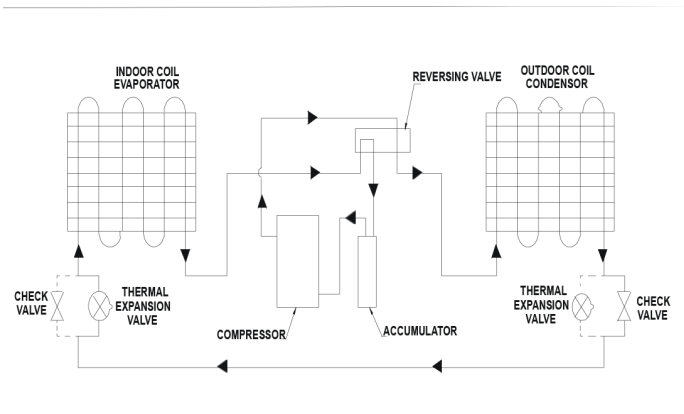
### COOLING CYCLE

When the heat pump is in the cooling cycle, it operates exactly as a Summer Air Conditioner unit. In this mode, all the charts and data for service that apply to summer air conditioning apply to the heat pump. Most apply on the heating cycle except the "condenser" becomes the "evaporator", "evaporator" becomes "condenser", "cooling" becomes "heating".

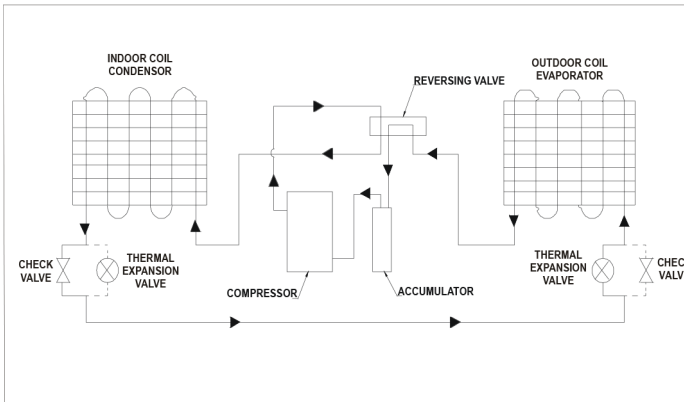
### HEATING CYCLE

The heat pump switches from cooling cycle by redirecting refrigerant flow through the refrigerant circuit external to the compressor. This is accomplished by the reversing valve. Hot discharge vapor from the compressor is directed to the indoor coil (evaporator on the cooling cycle) where the heat is removed, and the vapor condenses to liquid. It then goes through the expansion device to the outdoor coil (condenser on the cooling cycle) where the liquid is evaporated, and the vapor goes to the compressor.

The following figures show a schematic of a heat pump on the cooling cycle and the heating cycle. The heat pump is equipped with thermal expansion valves for the indoor and outdoor coils. It is also provided with a defrost control system.



**COOLING**



**HEATING**

### HEATING

When the heat pump is on the heating cycle, the outdoor coil is functioning as an evaporator. The temperature of the refrigerant in the outdoor coil must be below the temperature of the outdoor air in order to extract heat from the air. Thus, the greater the difference in the outdoor temperature and the outdoor coil temperature, the greater the heating capacity of the heat pump. This phenomenon is a characteristic of a heat pump. It is a good practice to provide supplementary heat for all heat pump installations in areas where the temperature drops below 45°F. It is also a good practice to provide sufficient supplementary heat to handle the entire heating requirement should there be a component failure of the heat pump, such as a compressor, or refrigerant leak, etc.

Since the temperature of the refrigerant in the outdoor coil on the heating cycle is generally below freezing point, frost forms on the surfaces of the outdoor coil under certain weather conditions of temperature and relative humidity. Therefore, it is necessary to reverse the flow of the refrigerant to provide hot gas in the outdoor coil to melt the frost accumulation. This is accomplished by reversing the heat pump to the cooling cycle. At the same time, the outdoor fan stops to hasten the temperature rise of the outdoor coil and lessen the time required for defrosting. The indoor blower continues to run and the supplementary heaters are energized.

### DEFROST CONTROL

During operation the Defrost signal to the circuit board is controlled by a temperature sensor, which is clamped to a feeder tube entering the outdoor coil. Defrost timing periods of 30, 60 and 90 minutes may be selected by connecting the circuit board jumper to 30, 60 and 90 respectively. Accumulation of time for the timing period selected starts when the sensor contact closes (approximately 31°F), and when the wall thermostat calls for heat. At the end of the timing period, the unit's defrost cycle will be initiated provided the sensor contact remains closed. When the sensor contact opens (approximately 75°F), the defrost cycle is terminated and the timing period is reset. If the defrost cycle is not terminated due to the sensor temperature, a ten minute override interrupts the unit's defrost period.

### MAINTENANCE



#### WARNING

#### HIGH VOLTAGE!

**DISCONNECT ALL POWER BEFORE SERVICING OR INSTALLING THIS UNIT. MULTIPLE POWER SOURCES MAY BE PRESENT. FAILURE TO DO SO MAY CAUSE PROPERTY DAMAGE, PERSONAL INJURY OR DEATH.**



#### WARNING

**TO PREVENT PERSONAL INJURY OR DEATH DUE TO IMPROPER INSTALLATION, ADJUSTMENT, ALTERATION, SERVICE OR MAINTENANCE, REFER TO THIS MANUAL. FOR ADDITIONAL ASSISTANCE OR INFORMATION, CONSULT A QUALIFIED INSTALLER, SERVICER AGENCY OR THE GAS SUPPLIER.**



#### CAUTION

**SHEET METAL PARTS, SCREWS, CLIPS AND SIMILAR ITEMS INHERENTLY HAVE SHARP EDGES, AND IT IS NECESSARY THAT THE INSTALLER AND SERVICE PERSONNEL EXERCISE CAUTION.**

The Self Contained Packaged Air Conditioner should operate for many years without excessive service calls if the unit is installed properly. However it is recommended that the owner inspect the unit before a seasonal start up. The coils should be free of debris so adequate airflow is achieved. The return and supply registers should be free of any obstructions. The filters should be cleaned or replaced. These few steps will help to keep the product up time to a maximum. The Service section that follows should help in identifying problems if the unit does not operate properly.



## CAUTION

TO PREVENT PROPERTY DAMAGE DUE TO FIRE AND LOSS OF EQUIPMENT EFFICIENCY OR EQUIPMENT DAMAGE DUE TO DUST AND LINT BUILD UP ON INTERNAL PARTS, NEVER OPERATE UNIT WITHOUT AN AIR FILTER INSTALLED IN THE RETURN AIR SYSTEM.

### FILTERS

Every application may require a different frequency of replacement of dirty filters. Filters must be replaced at least every three (3) months during operating seasons.

Dirty filters are the most common cause of inadequate heating or cooling performance. Filter inspection should be made at least every two months; more often if necessary because of local conditions and usage.

Dirty throwaway filters should be discarded and replaced with a new, clean filter.

Disposable return air filters are supplied with this unit. See the unit Specification Sheet or Technical Manual for the correct size and part number. To remove the filters, remove the filter access panel on return side of the unit.

### CLEAN OUTSIDE COIL (QUALIFIED SERVICER ONLY)

The coil with the outside air flowing over it should be inspected annually and cleaned as frequently as necessary to keep the finned areas free of lint, hair and debris. Any air blowing or water rinsing should be performed from inside-out (opposite operating airflow direction) to prevent damage to the tube & fin coil.

### LUBRICATION

The supply fan motors, the condenser fan motors and compressors are permanently lubricated.

### FUNCTIONAL PARTS

Refer to the unit Parts Catalog for a list of functional parts. Parts are available from your distributor.

### CABINET FINISH MAINTENANCE

Use a fine grade automotive wax on the cabinet finish to maintain the finish's original high luster. This is especially important in installations with extended periods of direct sunlight.

### MAINTENANCE OF MICROCHANNEL HEAT EXCHANGERS (MCHE)

Frequent servicing is essential to maintaining the required MCHE performance. For every installed Danfoss MCHE, service records must be documented.



## CAUTION

PRIOR TO SERVICING MCHE, BE SURE TO DISCONNECT THE POWER SUPPLY AND USE LOCK-OUT METHODS TO PREVENT THE POWER FROM ACCIDENTALLY BEING TURNED ON.

### SHUT DOWN PERIODS

During periods when the MCHE is not operated for longer than a week, the MCHE must be completely cleaned following the cleaning procedure. This practice must also be performed during short shut-down periods where corrosive deposits accumulate on the MCHE.

### CLEANING PROCEDURE

Relative to tube & fin heat exchangers, MicroChannel heat exchanger coils tend to accumulate more dirt on the surface of the coil and less dirt inside the coil, making them easier to clean. Follow the steps below for proper cleaning:

#### STEP 1: Remove Surface Debris

Remove surface dirt, leaves, fibers, etc. with a vacuum cleaner (preferably with a brush or other soft attachment rather than a metal tube), compressed air blown from the inside out, and/or a soft bristle (not wire!) brush. Do not impact or scrape the coil with the vacuum tube, air nozzle, etc.

#### STEP 2: Rinse

Rinse the coil by following procedure:

1. Rinse the coil by approved MCHE cleaner first, or rinsing by water directly;
2. Waiting for 5 minutes;
3. Wash the coil by water;

Adjust the angle of gimbaled nozzle and insert it through fans. Using an extension rod if the nozzle cannot reach the bottom side. Preferably cleaning the coils from the inside-out and top to bottom (see figure 1), running the water through every fin passage until it comes out clean. The fins of MicroChannel coils are stronger than traditional tube & fin coil fins but still need to be handled with care. Do not hit the coil with the hose. We recommend placing your thumb over the end of the hose to obtain a gentler spray and reduce the possibility of impact damage. Please PAY MORE ATTENTION when using a pressure cleaning equipment to prevent damage.

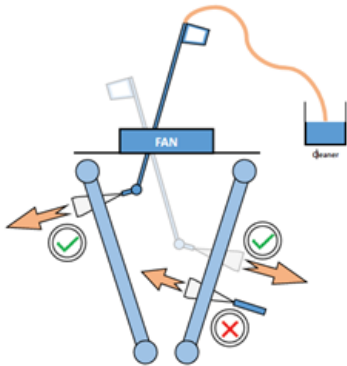


FIGURE 1

Highest pressure of cleaning equipment shall not exceed 15 bar, and tentatively move the cleaning equipment from far to near to prevent damage.

- KEEP the outlet of washer away from coil for at least 4in (see figure 2);
- KEEP the water gun perpendicular to the coil surface and the angle error shall less than  $20^\circ$ , or  $\pm 40^\circ$  if the distance from washer to coil is more than 12in (see figure 2);
- Water outlet angle for high pressure cleaning equipment shall over  $15^\circ$  (see figure 3).

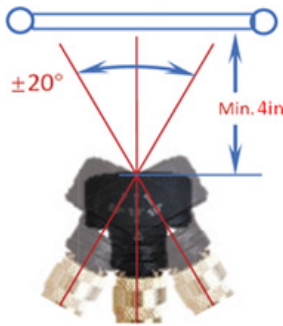


FIGURE 2



FIGURE 3

Warranty claims related to cleaning damage, especially for incorrect pressure washing operation, or corrosion resulting from applying non-recommended cleaners, will NOT be honored.

### STEP 3: Dry

Depending on the installation and fin geometry, MicroChannel heat exchangers could possibly retain more water compared to traditional tube & fin coils. It is advised to blow off or vacuum out the residual water from the coil to speed up drying and prevent pooling. Daikin recommends a quarterly cleaning of the coils, as the minimum. The cleaning frequency should be increased depending on the level of dirt/dust accumulation and the environment (e.g., coastal areas with chlorides and salts) or industrial areas with aggressive substances.



### WARNING

FIELD APPLIED COATINGS ARE NOT RECOMMENDED FOR BRAZED ALUMINUM MICROCHANNEL HEAT EXCHANGERS. MICROCHANNEL HEAT EXCHANGERS MUST NOT BE COATED USING ANY OTHER COATING, COATING OF A COIL USING A SUPPLIER OR COATING PROCESS IS NOT APPROVED AND IS NOT COVERED BY THE WARRANTY. IT MAY ALSO REDUCE THE LIFETIME AND/OR THE PERFORMANCE OF THE MICROCHANNEL HEAT EXCHANGER.



# APPENDIX A BLOWER PERFORMANCE TABLES - AC

DFC0361D / DFC0363D DOWNSHOT					
TAP	STATIC	AIRFLOW (CFM)	RPM	WATTS	BHP
T1	0.1	1095	500	83	0.09
	0.2	910	535	98	0.10
	0.3	835	585	113	0.10
	0.4	760	635	120	0.11
	0.5	680	690	131	0.12
	0.6	570	740	141	0.13
	0.7	505	775	146	0.14
	0.8	435	820	153	0.15
T2	0.1	1390	600	197	0.20
	0.2	1300	635	210	0.21
	0.3	1240	680	219	0.23
	0.4	1180	720	228	0.24
	0.5	1120	760	239	0.25
	0.6	1055	805	251	0.27
	0.7	995	840	261	0.28
	0.8	935	880	273	0.29
T3	0.1	1400	605	203	0.21
	0.2	1320	640	215	0.22
	0.3	1255	680	224	0.23
	0.4	1200	725	233	0.25
	0.5	1140	765	245	0.26
	0.6	1075	805	257	0.27
	0.7	1015	845	267	0.29
	0.8	955	885	279	0.30
T4	0.1	1500	635	246	0.25
	0.2	1440	675	258	0.27
	0.3	1380	710	266	0.28
	0.4	1325	750	276	0.29
	0.5	1270	790	288	0.31
	0.6	1215	830	300	0.33
	0.7	1160	865	313	0.34
	0.8	1105	905	325	0.36
T5	0.1	1570	660	278	0.29
	0.2	1525	700	290	0.30
	0.3	1470	735	299	0.32
	0.4	1415	770	309	0.33
	0.5	1365	805	321	0.35
	0.6	1315	845	334	0.37
	0.7	1260	880	348	0.38
	0.8	1205	920	360	0.40

DFC0361D / DFC0363D HORIZONTAL					
TAP	STATIC	AIRFLOW (CFM)	RPM	WATTS	BHP
T1	0.1	1110	505	85	0.09
	0.2	925	540	100	0.10
	0.3	850	590	115	0.11
	0.4	770	640	122	0.11
	0.5	690	695	134	0.12
	0.6	580	745	144	0.13
	0.7	515	780	149	0.14
	0.8	440	825	156	0.15
T2	0.1	1410	605	201	0.20
	0.2	1320	640	214	0.21
	0.3	1260	685	223	0.23
	0.4	1200	725	233	0.24
	0.5	1135	765	244	0.25
	0.6	1070	810	256	0.27
	0.7	1010	845	266	0.28
	0.8	950	885	278	0.29
T3	0.1	1420	610	207	0.21
	0.2	1340	645	219	0.22
	0.3	1275	685	228	0.23
	0.4	1220	730	238	0.25
	0.5	1155	770	250	0.26
	0.6	1090	810	262	0.27
	0.7	1030	850	272	0.29
	0.8	970	890	285	0.30
T4	0.1	1520	640	251	0.25
	0.2	1460	680	263	0.27
	0.3	1400	715	271	0.28
	0.4	1345	755	282	0.30
	0.5	1290	795	294	0.31
	0.6	1235	835	306	0.33
	0.7	1175	870	319	0.34
	0.8	1120	910	332	0.36
T5	0.1	1595	665	284	0.29
	0.2	1550	705	296	0.30
	0.3	1490	740	305	0.32
	0.4	1435	775	315	0.33
	0.5	1385	810	327	0.35
	0.6	1335	850	341	0.37
	0.7	1280	885	355	0.38
	0.8	1225	925	367	0.40

# APPENDIX A BLOWER PERFORMANCE TABLES - AC

DFC0364D / DFC0367D DOWNSHOT					
TAP	STATIC	AIRFLOW (CFM)	RPM	WATTS	BHP
T1	0.1	980	480	80	0.09
	0.2	910	535	88	0.10
	0.3	840	580	96	0.10
	0.4	795	615	102	0.11
	0.5	735	655	110	0.12
	0.6	660	705	119	0.13
	0.7	580	755	129	0.14
	0.8	500	805	139	0.15
T2	0.1	1365	600	190	0.20
	0.2	1305	640	202	0.21
	0.3	1245	685	214	0.23
	0.4	1195	720	224	0.24
	0.5	1145	755	235	0.25
	0.6	1090	790	245	0.26
	0.7	1030	830	256	0.28
	0.8	970	870	267	0.29
T3	0.1	1385	605	198	0.21
	0.2	1325	650	210	0.22
	0.3	1270	690	222	0.24
	0.4	1220	725	232	0.25
	0.5	1170	760	243	0.26
	0.6	1115	795	253	0.27
	0.7	1055	835	265	0.29
	0.8	995	875	275	0.30
T4	0.1	1485	640	235	0.28
	0.2	1430	680	248	0.29
	0.3	1375	715	261	0.31
	0.4	1325	750	272	0.32
	0.5	1280	785	284	0.34
	0.6	1225	820	295	0.36
	0.7	1175	855	306	0.37
	0.8	1120	890	317	0.39
T5	0.1	1575	665	270	0.29
	0.2	1525	705	284	0.31
	0.3	1470	740	298	0.32
	0.4	1420	775	310	0.34
	0.5	1375	810	322	0.35
	0.6	1325	845	334	0.37
	0.7	1275	875	346	0.38
	0.8	1230	910	357	0.39

DFC0364D / DFC0367D HORIZONTAL					
TAP	STATIC	AIRFLOW (CFM)	RPM	WATTS	BHP
T1	0.1	965	485	81	0.09
	0.2	895	545	89	0.10
	0.3	825	590	97	0.11
	0.4	785	625	104	0.11
	0.5	725	665	112	0.12
	0.6	650	715	121	0.13
	0.7	570	765	131	0.14
	0.8	495	815	141	0.15
T2	0.1	1345	610	193	0.20
	0.2	1285	650	205	0.22
	0.3	1225	695	217	0.23
	0.4	1175	730	227	0.24
	0.5	1130	765	239	0.25
	0.6	1075	800	249	0.27
	0.7	1015	840	260	0.28
	0.8	955	885	271	0.29
T3	0.1	1365	615	201	0.21
	0.2	1305	660	213	0.23
	0.3	1250	700	225	0.24
	0.4	1200	735	235	0.25
	0.5	1150	770	247	0.26
	0.6	1100	805	257	0.28
	0.7	1040	850	269	0.29
	0.8	980	890	279	0.31
T4	0.1	1465	650	239	0.28
	0.2	1410	690	252	0.30
	0.3	1355	725	265	0.31
	0.4	1305	760	276	0.33
	0.5	1260	795	288	0.34
	0.6	1205	830	299	0.36
	0.7	1155	870	311	0.38
	0.8	1105	905	322	0.39
T5	0.1	1550	675	274	0.29
	0.2	1500	715	288	0.31
	0.3	1450	750	302	0.32
	0.4	1400	785	315	0.34
	0.5	1355	820	327	0.36
	0.6	1305	860	339	0.37
	0.7	1255	890	351	0.39
	0.8	1210	925	362	0.40

# APPENDIX A BLOWER PERFORMANCE TABLES - AC

DFC0363W / DFC0364W / DFC0367W DOWNSHOT					
TAP	STATIC	AIRFLOW (CFM)	RPM	WATTS	BHP
T1	0.8	1285	920	379	0.42
	0.9	1235	950	391	0.43
	1.0	1185	980	403	0.45
	1.1	1100	1020	416	0.47
	1.2	1050	1050	429	0.48
	1.3	1000	1085	442	0.50
	1.4	950	1115	453	0.51
	1.5	900	1145	466	0.52
	1.6	845	1180	478	0.54
	1.7	790	1205	489	0.55
1.8	750	1230	498	0.56	
T2	0.8	1375	935	416	0.46
	0.9	1325	965	428	0.48
	1.0	1280	995	440	0.49
	1.1	1200	1030	454	0.51
	1.2	1150	1060	468	0.52
	1.3	1100	1095	481	0.54
	1.4	1050	1120	493	0.55
	1.5	1000	1155	506	0.57
	1.6	945	1185	520	0.59
	1.7	895	1215	531	0.60
1.8	850	1240	542	0.61	
T3	0.8	1415	940	435	0.48
	0.9	1370	970	447	0.50
	1.0	1325	1000	460	0.51
	1.1	1250	1035	474	0.53
	1.2	1200	1065	487	0.55
	1.3	1150	1100	501	0.57
	1.4	1095	1125	513	0.58
	1.5	1050	1155	526	0.59
	1.6	995	1190	541	0.61
	1.7	940	1215	552	0.62
1.8	895	1245	564	0.64	
T4	0.8	1500	955	474	0.53
	0.9	1455	985	486	0.54
	1.0	1410	1015	499	0.56
	1.1	1340	1045	514	0.58
	1.2	1290	1075	528	0.59
	1.3	1240	1105	542	0.61
	1.4	1190	1135	554	0.63
	1.5	1145	1165	568	0.64
	1.6	1090	1195	584	0.66
	1.7	1040	1225	595	0.68
1.8	990	1255	609	0.69	
T5	0.8	1540	965	494	0.55
	0.9	1495	990	506	0.57
	1.0	1455	1020	520	0.58
	1.1	1385	1050	534	0.60
	1.2	1335	1080	548	0.62
	1.3	1290	1110	563	0.63
	1.4	1235	1140	575	0.65
	1.5	1195	1170	589	0.67
	1.6	1135	1200	605	0.69
	1.7	1085	1230	617	0.70
1.8	1040	1260	631	0.72	

DFC0363W / DFC0364W / DFC0367W DOWNSHOT					
TAP	STATIC	AIRFLOW (CFM)	RPM	WATTS	BHP
T1'	0.8	1500	955	474	0.53
	0.9	1455	985	486	0.54
	1.0	1410	1015	499	0.56
	1.1	1340	1045	514	0.58
	1.2	1290	1075	528	0.59
	1.3	1240	1105	542	0.61
	1.4	1190	1135	554	0.63
	1.5	1145	1165	568	0.64
	1.6	1090	1195	584	0.66
	1.7	1040	1225	595	0.68
1.8	990	1255	609	0.69	
T2'	0.8	1600	975	525	0.58
	0.9	1555	1000	537	0.60
	1.0	1515	1030	551	0.62
	1.1	1450	1060	565	0.64
	1.2	1400	1090	580	0.65
	1.3	1355	1120	594	0.67
	1.4	1300	1145	607	0.69
	1.5	1260	1175	622	0.70
	1.6	1205	1205	638	0.72
	1.7	1155	1235	650	0.74
1.8	1105	1265	665	0.76	
T3'	0.8	1635	985	545	0.61
	0.9	1595	1010	558	0.63
	1.0	1555	1035	572	0.64
	1.1	1490	1065	586	0.66
	1.2	1440	1095	601	0.68
	1.3	1395	1125	615	0.70
	1.4	1345	1150	628	0.71
	1.5	1305	1180	644	0.73
	1.6	1250	1210	660	0.75
	1.7	1200	1235	673	0.76
1.8	1150	1270	688	0.79	
T4'	0.8	1710	1000	587	0.66
	0.9	1670	1025	600	0.67
	1.0	1630	1050	615	0.69
	1.1	1570	1075	629	0.71
	1.2	1520	1105	644	0.73
	1.3	1480	1135	659	0.75
	1.4	1425	1160	672	0.76
	1.5	1390	1185	688	0.78
	1.6	1335	1220	705	0.80
	1.7	1285	1245	718	0.82
1.8	1240	1275	734	0.84	
T5'	0.8	1750	1010	614	0.69
	0.9	1715	1030	628	0.70
	1.0	1675	1060	642	0.72
	1.1	1615	1085	656	0.74
	1.2	1570	1115	672	0.76
	1.3	1525	1140	687	0.78
	1.4	1475	1165	700	0.79
	1.5	1440	1190	716	0.81
	1.6	1390	1225	733	0.83
	1.7	1340	1250	747	0.85
1.8	1290	1280	764	0.87	

# APPENDIX A BLOWER PERFORMANCE TABLES - AC

DFC0363W / DFC0364W / DFC0367W HORIZONTAL					
TAP	STATIC	AIRFLOW (CFM)	RPM	WATTS	BHP
T1	0.8	1265	935	385	0.43
	0.9	1215	965	397	0.44
	1.0	1165	995	409	0.45
	1.1	1085	1035	422	0.47
	1.2	1035	1065	435	0.49
	1.3	985	1100	449	0.50
	1.4	935	1130	460	0.52
	1.5	885	1160	473	0.53
	1.6	830	1200	485	0.55
	1.7	780	1225	496	0.56
1.8	740	1250	505	0.57	
T2	0.8	1355	950	422	0.47
	0.9	1305	980	434	0.49
	1.0	1260	1010	447	0.50
	1.1	1180	1045	461	0.52
	1.2	1135	1075	475	0.53
	1.3	1085	1110	488	0.55
	1.4	1035	1135	500	0.56
	1.5	985	1170	514	0.58
	1.6	930	1205	528	0.60
	1.7	880	1235	539	0.61
1.8	835	1260	550	0.62	
T3	0.8	1395	955	442	0.49
	0.9	1350	985	454	0.51
	1.0	1305	1015	467	0.52
	1.1	1230	1050	481	0.54
	1.2	1180	1080	494	0.56
	1.3	1135	1115	509	0.57
	1.4	1080	1140	521	0.59
	1.5	1035	1170	534	0.60
	1.6	980	1210	549	0.62
	1.7	925	1235	560	0.63
1.8	880	1265	572	0.65	
T4	0.8	1480	970	481	0.54
	0.9	1435	1000	493	0.55
	1.0	1390	1030	506	0.57
	1.1	1320	1060	522	0.59
	1.2	1270	1090	536	0.60
	1.3	1220	1120	550	0.62
	1.4	1170	1150	562	0.63
	1.5	1130	1180	577	0.65
	1.6	1075	1215	593	0.67
	1.7	1025	1245	604	0.69
1.8	975	1275	618	0.70	
T5	0.8	1515	980	501	0.56
	0.9	1475	1005	514	0.57
	1.0	1435	1035	528	0.59
	1.1	1365	1065	542	0.61
	1.2	1315	1095	556	0.63
	1.3	1270	1125	571	0.64
	1.4	1215	1155	584	0.66
	1.5	1175	1190	598	0.68
	1.6	1120	1220	614	0.70
	1.7	1070	1250	626	0.71
1.8	1025	1280	640	0.73	

DFC0363W / DFC0364W / DFC0367W HORIZONTAL					
TAP	STATIC	AIRFLOW (CFM)	RPM	WATTS	BHP
T1'	0.8	1480	970	481	0.54
	0.9	1435	1000	493	0.55
	1.0	1390	1030	506	0.57
	1.1	1320	1060	522	0.59
	1.2	1270	1090	536	0.60
	1.3	1220	1120	550	0.62
	1.4	1170	1150	562	0.63
	1.5	1130	1180	577	0.65
	1.6	1075	1215	593	0.67
	1.7	1025	1245	604	0.69
1.8	975	1275	618	0.70	
T2'	0.8	1575	990	533	0.59
	0.9	1530	1015	545	0.61
	1.0	1490	1045	559	0.63
	1.1	1430	1075	573	0.64
	1.2	1380	1105	589	0.66
	1.3	1335	1135	603	0.68
	1.4	1280	1160	616	0.70
	1.5	1240	1195	631	0.72
	1.6	1185	1225	648	0.73
	1.7	1140	1255	660	0.75
1.8	1090	1285	675	0.77	
T3'	0.8	1610	1000	553	0.62
	0.9	1570	1025	566	0.63
	1.0	1530	1050	581	0.65
	1.1	1470	1080	595	0.67
	1.2	1420	1110	610	0.69
	1.3	1375	1140	624	0.71
	1.4	1325	1165	637	0.72
	1.5	1285	1200	654	0.74
	1.6	1230	1230	670	0.76
	1.7	1180	1255	683	0.78
1.8	1135	1290	698	0.80	
T4'	0.8	1685	1015	596	0.67
	0.9	1645	1040	609	0.68
	1.0	1605	1065	624	0.70
	1.1	1545	1090	638	0.72
	1.2	1495	1120	654	0.74
	1.3	1460	1150	669	0.76
	1.4	1405	1175	682	0.77
	1.5	1370	1205	698	0.79
	1.6	1315	1240	716	0.81
	1.7	1265	1265	729	0.83
1.8	1220	1295	745	0.85	
T5'	0.8	1725	1025	623	0.70
	0.9	1690	1045	637	0.71
	1.0	1650	1075	652	0.73
	1.1	1590	1100	666	0.75
	1.2	1545	1130	682	0.77
	1.3	1500	1155	697	0.79
	1.4	1455	1180	710	0.80
	1.5	1420	1210	727	0.82
	1.6	1370	1245	744	0.85
	1.7	1320	1270	758	0.86
1.8	1270	1300	775	0.88	



# APPENDIX A BLOWER PERFORMANCE TABLES - AC

DFC0481D / DFC0483D DOWNSHOT					
TAP	STATIC	AIRFLOW (CFM)	RPM	WATTS	BHP
T1	0.1	1275	585	176	0.18
	0.2	1205	635	186	0.19
	0.3	1145	675	196	0.21
	0.4	1070	720	210	0.22
	0.5	1000	765	220	0.23
	0.6	935	805	231	0.25
	0.7	870	845	243	0.26
	0.8	825	890	246	0.27
T2	0.1	1780	750	384	0.42
	0.2	1725	780	401	0.44
	0.3	1675	815	417	0.46
	0.4	1630	845	431	0.47
	0.5	1575	880	446	0.49
	0.6	1520	910	459	0.51
	0.7	1465	945	473	0.53
	0.8	1405	980	491	0.55
T3	0.1	1805	755	398	0.43
	0.2	1755	790	414	0.46
	0.3	1700	820	430	0.47
	0.4	1655	850	445	0.49
	0.5	1605	885	460	0.51
	0.6	1550	915	473	0.53
	0.7	1495	950	487	0.55
	0.8	1435	985	506	0.57
T4	0.1	1900	785	448	0.49
	0.2	1850	815	465	0.51
	0.3	1800	845	482	0.53
	0.4	1755	875	496	0.55
	0.5	1705	905	512	0.57
	0.6	1650	935	525	0.59
	0.7	1600	970	541	0.61
	0.8	1540	1000	560	0.63
T5	0.1	1995	815	505	0.56
	0.2	1950	845	523	0.58
	0.3	1900	875	540	0.60
	0.4	1860	900	555	0.62
	0.5	1810	930	570	0.64
	0.6	1755	960	585	0.66
	0.7	1710	990	601	0.68
	0.8	1650	1020	622	0.70

DFC0481D / DFC0483D HORIZONTAL					
TAP	STATIC	AIRFLOW (CFM)	RPM	WATTS	BHP
T1	0.1	1235	610	185	0.19
	0.2	1170	660	195	0.20
	0.3	1110	700	206	0.21
	0.4	1040	750	221	0.23
	0.5	970	795	231	0.24
	0.6	905	835	243	0.25
	0.7	845	880	255	0.27
	0.8	800	925	258	0.28
T2	0.1	1725	780	403	0.44
	0.2	1675	810	421	0.45
	0.3	1625	850	438	0.48
	0.4	1580	880	453	0.49
	0.5	1530	915	468	0.51
	0.6	1475	945	482	0.53
	0.7	1420	985	497	0.55
	0.8	1365	1020	516	0.57
T3	0.1	1750	785	418	0.45
	0.2	1700	820	435	0.47
	0.3	1650	855	452	0.49
	0.4	1605	885	467	0.51
	0.5	1555	920	483	0.53
	0.6	1505	950	497	0.55
	0.7	1450	990	511	0.57
	0.8	1390	1025	531	0.59
T4	0.1	1845	815	470	0.51
	0.2	1795	850	488	0.53
	0.3	1745	880	506	0.55
	0.4	1700	910	521	0.57
	0.5	1655	940	538	0.59
	0.6	1600	970	551	0.61
	0.7	1550	1010	568	0.63
	0.8	1495	1040	588	0.65
T5	0.1	1935	850	530	0.58
	0.2	1890	880	549	0.60
	0.3	1845	910	567	0.62
	0.4	1805	935	583	0.64
	0.5	1755	965	599	0.66
	0.6	1700	1000	614	0.69
	0.7	1660	1030	631	0.71
	0.8	1600	1060	653	0.73

# APPENDIX A BLOWER PERFORMANCE TABLES - AC

DFC0484D / DFC0487D DOWNSHOT					
TAP	STATIC	AIRFLOW (CFM)	RPM	WATTS	BHP
T1	0.1	1265	595	174	0.18
	0.2	1205	640	185	0.19
	0.3	1140	680	196	0.21
	0.4	1060	725	208	0.22
	0.5	990	765	220	0.23
	0.6	925	805	230	0.25
	0.7	850	840	239	0.26
	0.8	785	885	250	0.27
T2	0.1	1775	755	383	0.42
	0.2	1730	785	398	0.43
	0.3	1680	820	414	0.45
	0.4	1630	850	428	0.47
	0.5	1580	885	442	0.49
	0.6	1530	915	456	0.51
	0.7	1470	950	472	0.52
	0.8	1415	980	486	0.54
T3	0.1	1765	750	379	0.41
	0.2	1720	785	394	0.43
	0.3	1670	820	409	0.45
	0.4	1620	850	423	0.47
	0.5	1570	880	437	0.48
	0.6	1515	915	451	0.50
	0.7	1460	950	467	0.52
	0.8	1405	980	481	0.54
T4	0.1	1860	785	430	0.47
	0.2	1820	815	446	0.49
	0.3	1770	845	462	0.51
	0.4	1725	875	476	0.52
	0.5	1675	905	491	0.54
	0.6	1625	935	505	0.56
	0.7	1575	970	522	0.58
	0.8	1520	1000	537	0.60
T5	0.1	1945	810	479	0.52
	0.2	1900	840	495	0.54
	0.3	1855	870	511	0.56
	0.4	1815	895	526	0.58
	0.5	1770	925	541	0.60
	0.6	1720	955	556	0.62
	0.7	1670	990	573	0.64
	0.8	1620	1015	589	0.66

DFC0484D / DFC0487D HORIZONTAL					
TAP	STATIC	AIRFLOW (CFM)	RPM	WATTS	BHP
T1	0.1	1250	615	179	0.19
	0.2	1195	660	191	0.20
	0.3	1130	700	202	0.21
	0.4	1050	745	214	0.23
	0.5	980	790	227	0.24
	0.6	915	830	237	0.25
	0.7	840	865	246	0.26
	0.8	775	910	258	0.28
T2	0.1	1755	780	394	0.43
	0.2	1715	810	410	0.45
	0.3	1665	845	426	0.47
	0.4	1615	875	441	0.48
	0.5	1565	910	455	0.50
	0.6	1515	940	470	0.52
	0.7	1455	980	486	0.54
	0.8	1400	1010	501	0.56
T3	0.1	1745	775	390	0.42
	0.2	1705	810	406	0.44
	0.3	1655	845	421	0.46
	0.4	1605	875	436	0.48
	0.5	1555	905	450	0.50
	0.6	1500	940	465	0.51
	0.7	1445	980	481	0.54
	0.8	1390	1010	495	0.55
T4	0.1	1840	810	443	0.49
	0.2	1800	840	459	0.50
	0.3	1750	870	476	0.52
	0.4	1710	900	490	0.54
	0.5	1660	930	506	0.56
	0.6	1610	965	520	0.58
	0.7	1560	1000	538	0.60
	0.8	1505	1030	553	0.62
T5	0.1	1925	835	493	0.54
	0.2	1880	865	510	0.56
	0.3	1835	895	526	0.58
	0.4	1795	920	542	0.60
	0.5	1750	955	557	0.62
	0.6	1705	985	573	0.64
	0.7	1655	1020	590	0.66
	0.8	1605	1045	607	0.68

# APPENDIX A BLOWER PERFORMANCE TABLES - AC

DFC0483W / DFC0484W / DFC0487W DOWNSHOT					
TAP	STATIC	AIRFLOW (CFM)	RPM	WATTS	BHP
T1	0.8	1560	1005	557	0.62
	0.9	1505	1040	572	0.64
	1.0	1450	1065	587	0.66
	1.1	1390	1095	602	0.68
	1.2	1345	1125	614	0.70
	1.3	1305	1145	626	0.71
	1.4	1250	1175	642	0.73
	1.5	1205	1200	654	0.74
	1.6	1175	1220	664	0.75
	1.7	1130	1245	678	0.77
1.8	1100	1265	684	0.78	
T2	0.8	1810	1055	703	0.79
	0.9	1755	1080	719	0.81
	1.0	1705	1110	736	0.83
	1.1	1645	1135	754	0.85
	1.2	1600	1165	771	0.87
	1.3	1555	1190	787	0.89
	1.4	1505	1215	803	0.91
	1.5	1465	1240	815	0.93
	1.6	1425	1260	828	0.94
	1.7	1385	1285	843	0.96
1.8	1355	1300	851	0.97	
T3	0.8	1825	1055	714	0.80
	0.9	1775	1085	731	0.82
	1.0	1720	1110	748	0.84
	1.1	1665	1140	766	0.86
	1.2	1620	1170	783	0.89
	1.3	1575	1195	799	0.90
	1.4	1525	1220	815	0.92
	1.5	1480	1240	827	0.94
	1.6	1445	1260	841	0.95
	1.7	1405	1285	856	0.97
1.8	1375	1300	864	0.98	
T4	0.8	1930	1075	789	0.88
	0.9	1880	1105	806	0.90
	1.0	1835	1130	823	0.93
	1.1	1780	1155	843	0.95
	1.2	1730	1185	863	0.97
	1.3	1685	1210	881	0.99
	1.4	1635	1240	897	1.02
	1.5	1595	1260	910	1.03
	1.6	1550	1280	925	1.05
	1.7	1510	1305	940	1.07
1.8	1480	1320	952	1.08	
T5	0.8	1960	1085	813	0.91
	0.9	1915	1110	829	0.93
	1.0	1865	1135	847	0.95
	1.1	1815	1160	868	0.97
	1.2	1765	1190	889	1.00
	1.3	1715	1220	907	1.02
	1.4	1665	1245	923	1.04
	1.5	1625	1265	936	1.06
	1.6	1585	1285	952	1.08
	1.7	1545	1310	967	1.10
1.8	1510	1325	980	1.11	

DFC0483W / DFC0484W / DFC0487W DOWNSHOT					
TAP	STATIC	AIRFLOW (CFM)	RPM	WATTS	BHP
T1'	0.8	1750	1040	664	0.74
	0.9	1695	1070	680	0.76
	1.0	1640	1100	697	0.79
	1.1	1580	1125	713	0.80
	1.2	1535	1155	729	0.82
	1.3	1495	1180	744	0.84
	1.4	1445	1205	760	0.86
	1.5	1400	1230	772	0.88
	1.6	1365	1250	784	0.89
	1.7	1325	1275	799	0.91
1.8	1295	1290	806	0.92	
T2'	0.8	2020	1095	861	0.96
	0.9	1975	1120	877	0.98
	1.0	1935	1145	895	1.00
	1.1	1880	1170	917	1.02
	1.2	1830	1200	940	1.05
	1.3	1780	1230	959	1.08
	1.4	1730	1255	975	1.10
	1.5	1690	1275	988	1.12
	1.6	1645	1295	1006	1.13
	1.7	1605	1320	1020	1.16
1.8	1570	1340	1036	1.17	
T3'	0.8	2035	1100	873	0.97
	0.9	1990	1125	889	1.00
	1.0	1950	1145	907	1.01
	1.1	1900	1175	930	1.04
	1.2	1845	1205	952	1.07
	1.3	1795	1230	972	1.09
	1.4	1745	1255	988	1.11
	1.5	1705	1275	1001	1.13
	1.6	1660	1300	1019	1.15
	1.7	1620	1320	1034	1.17
1.8	1585	1340	1051	1.19	
T4'	0.8	2125	1120	960	1.07
	0.9	2090	1140	976	1.09
	1.0	2060	1165	994	1.11
	1.1	2015	1190	1019	1.13
	1.2	1955	1220	1045	1.16
	1.3	1895	1250	1067	1.19
	1.4	1845	1275	1083	1.21
	1.5	1805	1295	1096	1.23
	1.6	1755	1320	1117	1.26
	1.7	1715	1340	1130	1.28
1.8	1670	1365	1154	1.30	
T5'	0.8	2125	1120	960	1.07
	0.9	2090	1140	976	1.09
	1.0	2060	1165	994	1.11
	1.1	2015	1190	1019	1.13
	1.2	1955	1220	1045	1.16
	1.3	1895	1250	1067	1.19
	1.4	1845	1275	1083	1.21
	1.5	1805	1295	1096	1.23
	1.6	1755	1320	1117	1.26
	1.7	1715	1340	1130	1.28
1.8	1670	1365	1154	1.30	

# APPENDIX A BLOWER PERFORMANCE TABLES - AC

DFC0483W / DFC0484W / DFC0487W HORIZONTAL					
TAP	STATIC	AIRFLOW (CFM)	RPM	WATTS	BHP
T1	0.8	1545	1035	574	0.64
	0.9	1490	1070	589	0.66
	1.0	1435	1095	605	0.68
	1.1	1375	1130	620	0.70
	1.2	1330	1160	632	0.72
	1.3	1290	1180	645	0.73
	1.4	1240	1210	661	0.75
	1.5	1195	1235	674	0.76
	1.6	1165	1255	684	0.78
	1.7	1120	1280	698	0.79
1.8	1090	1305	705	0.81	
T2	0.8	1790	1085	724	0.81
	0.9	1735	1110	741	0.83
	1.0	1690	1145	758	0.86
	1.1	1630	1170	777	0.87
	1.2	1585	1200	794	0.90
	1.3	1540	1225	811	0.92
	1.4	1490	1250	827	0.93
	1.5	1450	1275	839	0.95
	1.6	1410	1300	853	0.97
	1.7	1370	1325	868	0.99
1.8	1340	1340	877	1.00	
T3	0.8	1805	1085	735	0.82
	0.9	1755	1120	753	0.85
	1.0	1705	1145	770	0.87
	1.1	1650	1175	789	0.89
	1.2	1605	1205	806	0.91
	1.3	1560	1230	823	0.93
	1.4	1510	1255	839	0.95
	1.5	1465	1275	852	0.96
	1.6	1430	1300	866	0.98
	1.7	1390	1325	882	1.00
1.8	1360	1340	890	1.01	
T4	0.8	1910	1105	813	0.90
	0.9	1860	1140	830	0.93
	1.0	1815	1165	848	0.95
	1.1	1760	1190	868	0.97
	1.2	1715	1220	889	1.00
	1.3	1670	1245	907	1.02
	1.4	1620	1275	924	1.04
	1.5	1580	1300	937	1.06
	1.6	1535	1320	953	1.08
	1.7	1495	1345	968	1.10
1.8	1465	1360	981	1.11	
T5	0.8	1940	1120	837	0.94
	0.9	1895	1145	854	0.96
	1.0	1845	1170	872	0.98
	1.1	1795	1195	894	1.00
	1.2	1745	1225	916	1.03
	1.3	1700	1255	934	1.05
	1.4	1650	1280	951	1.07
	1.5	1610	1305	964	1.09
	1.6	1570	1325	981	1.11
	1.7	1530	1350	996	1.13
1.8	1495	1365	1009	1.14	

DFC0483W / DFC0484W / DFC0487W HORIZONTAL					
TAP	STATIC	AIRFLOW (CFM)	RPM	WATTS	BHP
T1'	0.8	1735	1070	684	0.76
	0.9	1680	1100	700	0.79
	1.0	1625	1135	718	0.81
	1.1	1565	1160	734	0.83
	1.2	1520	1190	751	0.85
	1.3	1480	1215	766	0.87
	1.4	1430	1240	783	0.89
	1.5	1385	1265	795	0.90
	1.6	1350	1290	808	0.92
	1.7	1310	1315	823	0.94
1.8	1280	1330	830	0.95	
T2'	0.8	2000	1130	887	0.99
	0.9	1955	1155	903	1.01
	1.0	1915	1180	922	1.03
	1.1	1860	1205	945	1.06
	1.2	1810	1235	968	1.08
	1.3	1760	1265	988	1.11
	1.4	1715	1295	1004	1.13
	1.5	1675	1315	1018	1.15
	1.6	1630	1335	1036	1.17
	1.7	1590	1360	1051	1.19
1.8	1555	1380	1067	1.21	
T3'	0.8	2015	1135	899	1.00
	0.9	1970	1160	916	1.03
	1.0	1930	1180	934	1.04
	1.1	1880	1210	958	1.07
	1.2	1825	1240	981	1.10
	1.3	1775	1265	1001	1.12
	1.4	1730	1295	1018	1.15
	1.5	1690	1315	1031	1.16
	1.6	1645	1340	1050	1.19
	1.7	1605	1360	1065	1.20
1.8	1570	1380	1083	1.22	
T4'	0.8	2105	1155	989	1.10
	0.9	2070	1175	1005	1.12
	1.0	2040	1200	1024	1.14
	1.1	1995	1225	1050	1.17
	1.2	1935	1255	1076	1.19
	1.3	1875	1290	1099	1.23
	1.4	1825	1315	1115	1.25
	1.5	1785	1335	1129	1.27
	1.6	1735	1360	1151	1.29
	1.7	1700	1380	1164	1.31
1.8	1655	1405	1189	1.34	
T5'	0.8	2105	1155	989	1.10
	0.9	2070	1175	1005	1.12
	1.0	2040	1200	1024	1.14
	1.1	1995	1225	1050	1.17
	1.2	1935	1255	1076	1.19
	1.3	1875	1290	1099	1.23
	1.4	1825	1315	1115	1.25
	1.5	1785	1335	1129	1.27
	1.6	1735	1360	1151	1.29
	1.7	1700	1380	1164	1.31
1.8	1655	1405	1189	1.34	

# APPENDIX A BLOWER PERFORMANCE TABLES - AC

DFC0601D / DFC0603D DOWNSHOT					
TAP	STATIC	AIRFLOW (CFM)	RPM	WATTS	BHP
T1	0.1	1565	680	285	0.30
	0.2	1505	720	299	0.32
	0.3	1450	755	313	0.34
	0.4	1395	790	327	0.35
	0.5	1335	830	340	0.37
	0.6	1275	865	352	0.39
	0.7	1215	900	365	0.40
	0.8	1160	940	378	0.42
T2	0.1	1880	780	438	0.48
	0.2	1830	810	456	0.50
	0.3	1780	845	472	0.52
	0.4	1735	870	487	0.54
	0.5	1685	905	502	0.56
	0.6	1630	935	516	0.58
	0.7	1580	965	531	0.60
	0.8	1520	1000	550	0.62
T3	0.1	2090	845	566	0.63
	0.2	2045	870	583	0.65
	0.3	2000	900	600	0.67
	0.4	1955	925	615	0.69
	0.5	1905	955	632	0.71
	0.6	1855	985	647	0.73
	0.7	1810	1010	664	0.75
	0.8	1755	1040	685	0.77
T4	0.1	2010	820	515	0.57
	0.2	1965	850	533	0.59
	0.3	1915	880	549	0.61
	0.4	1875	905	565	0.63
	0.5	1825	935	580	0.65
	0.6	1775	965	595	0.67
	0.7	1725	995	611	0.69
	0.8	1670	1025	632	0.71
T5	0.1	2310	910	729	0.81
	0.2	2270	935	744	0.83
	0.3	2225	960	761	0.85
	0.4	2180	985	777	0.87
	0.5	2125	1015	794	0.90
	0.6	2080	1040	813	0.92
	0.7	2040	1065	831	0.94
	0.8	2000	1090	850	0.97

DFC0601D / DFC0603D HORIZONTAL					
TAP	STATIC	AIRFLOW (CFM)	RPM	WATTS	BHP
T1	0.1	1520	705	299	0.32
	0.2	1460	750	314	0.34
	0.3	1405	785	329	0.35
	0.4	1355	820	343	0.37
	0.5	1295	865	357	0.39
	0.6	1235	900	370	0.40
	0.7	1180	935	383	0.42
	0.8	1125	980	397	0.44
T2	0.1	1825	810	460	0.50
	0.2	1775	840	479	0.52
	0.3	1725	880	496	0.54
	0.4	1685	905	511	0.56
	0.5	1635	940	527	0.58
	0.6	1580	970	542	0.60
	0.7	1535	1005	558	0.62
	0.8	1475	1040	578	0.64
T3	0.1	2025	880	594	0.65
	0.2	1985	905	612	0.67
	0.3	1940	935	630	0.69
	0.4	1895	960	646	0.71
	0.5	1850	995	664	0.74
	0.6	1800	1025	679	0.76
	0.7	1755	1050	697	0.78
	0.8	1700	1080	719	0.80
T4	0.1	1950	855	541	0.59
	0.2	1905	885	560	0.62
	0.3	1860	915	576	0.64
	0.4	1820	940	593	0.65
	0.5	1770	970	609	0.67
	0.6	1720	1005	625	0.70
	0.7	1675	1035	642	0.72
	0.8	1620	1065	664	0.74
T5	0.1	2240	945	765	0.84
	0.2	2200	970	781	0.86
	0.3	2160	1000	799	0.89
	0.4	2115	1025	816	0.91
	0.5	2060	1055	834	0.93
	0.6	2020	1080	854	0.96
	0.7	1980	1110	873	0.98
	0.8	1940	1135	893	1.00



# APPENDIX A BLOWER PERFORMANCE TABLES - AC

DFC0604D / DFC0607D DOWNSHOT					
TAP	STATIC	AIRFLOW (CFM)	RPM	WATTS	BHP
T1	0.1	1555	685	280	0.30
	0.2	1500	720	293	0.32
	0.3	1445	760	307	0.33
	0.4	1385	795	320	0.35
	0.5	1325	830	333	0.36
	0.6	1265	865	346	0.38
	0.7	1205	900	359	0.39
	0.8	1145	935	372	0.41
T2	0.1	1860	785	430	0.47
	0.2	1820	815	446	0.49
	0.3	1770	845	462	0.51
	0.4	1725	875	476	0.52
	0.5	1675	905	491	0.54
	0.6	1625	935	505	0.56
	0.7	1575	970	522	0.58
	0.8	1520	1000	537	0.60
T3	0.1	2080	855	572	0.63
	0.2	2045	880	589	0.65
	0.3	2000	910	605	0.67
	0.4	1960	935	621	0.69
	0.5	1920	965	637	0.71
	0.6	1875	990	653	0.73
	0.7	1830	1020	670	0.75
	0.8	1785	1050	686	0.77
T4	0.1	1990	825	509	0.58
	0.2	1950	855	525	0.60
	0.3	1905	885	542	0.62
	0.4	1865	910	557	0.64
	0.5	1820	940	572	0.66
	0.6	1775	970	588	0.68
	0.7	1725	1000	605	0.70
	0.8	1675	1025	621	0.72
T5	0.1	2270	920	730	0.82
	0.2	2235	945	747	0.85
	0.3	2195	970	764	0.87
	0.4	2155	995	782	0.89
	0.5	2120	1020	799	0.91
	0.6	2080	1045	815	0.94
	0.7	2045	1070	832	0.96
	0.8	2005	1095	849	0.98

DFC0604D / DFC0607D HORIZONTAL					
TAP	STATIC	AIRFLOW (CFM)	RPM	WATTS	BHP
T1	0.1	1540	705	288	0.31
	0.2	1485	740	302	0.32
	0.3	1430	785	316	0.34
	0.4	1370	820	330	0.36
	0.5	1310	855	343	0.37
	0.6	1250	890	356	0.39
	0.7	1195	925	370	0.41
	0.8	1135	965	383	0.42
T2	0.1	1840	810	443	0.49
	0.2	1800	840	459	0.5
	0.3	1750	870	476	0.52
	0.4	1710	900	490	0.54
	0.5	1660	930	506	0.56
	0.6	1610	965	520	0.58
	0.7	1560	1000	538	0.6
	0.8	1505	1030	553	0.62
T3	0.1	2060	880	589	0.65
	0.2	2025	905	607	0.66
	0.3	1980	935	623	0.69
	0.4	1940	965	640	0.71
	0.5	1900	995	656	0.73
	0.6	1855	1020	673	0.75
	0.7	1810	1050	690	0.77
	0.8	1765	1080	707	0.79
T4	0.1	1970	850	524	0.6
	0.2	1930	880	541	0.62
	0.3	1885	910	558	0.64
	0.4	1845	935	574	0.66
	0.5	1800	970	589	0.68
	0.6	1755	1000	606	0.7
	0.7	1710	1030	623	0.73
	0.8	1660	1055	640	0.74
T5	0.1	2245	950	752	0.85
	0.2	2215	975	769	0.87
	0.3	2175	1000	787	0.89
	0.4	2135	1025	805	0.92
	0.5	2100	1050	823	0.94
	0.6	2060	1075	839	0.96
	0.7	2025	1100	857	0.98
	0.8	1985	1130	874	1.01

# APPENDIX A BLOWER PERFORMANCE TABLES - AC

DFC0603W / DFC0604W / DFC0607W DOWNSHOT					
TAP	STATIC	AIRFLOW (CFM)	RPM	WATTS	BHP
T1	0.8	1780	1040	683	0.70
	0.9	1740	1070	700	0.72
	1.0	1700	1090	715	0.74
	1.1	1665	1115	730	0.75
	1.2	1625	1145	744	0.77
	1.3	1585	1170	762	0.79
	1.4	1545	1195	777	0.81
	1.5	1510	1215	791	0.82
	1.6	1475	1240	806	0.84
	1.7	1430	1260	818	0.85
1.8	1395	1280	832	0.86	
T2	0.8	2020	1100	871	0.92
	0.9	1945	1110	850	0.92
	1.0	1910	1135	866	0.94
	1.1	1875	1160	883	0.97
	1.2	1835	1185	898	0.99
	1.3	1800	1210	918	1.01
	1.4	1765	1235	935	1.03
	1.5	1725	1255	950	1.04
	1.6	1690	1275	966	1.06
	1.7	1650	1295	981	1.08
1.8	1615	1320	995	1.10	
T3	0.8	2090	1115	933	0.98
	0.9	2060	1140	951	1.00
	1.0	2030	1165	968	1.02
	1.1	1995	1190	987	1.05
	1.2	1960	1215	1003	1.07
	1.3	1925	1235	1024	1.09
	1.4	1895	1255	1042	1.10
	1.5	1855	1280	1057	1.13
	1.6	1825	1300	1075	1.14
	1.7	1785	1320	1090	1.16
1.8	1745	1340	1106	1.18	
T4	0.8	2090	1115	933	0.98
	0.9	2060	1140	951	1.00
	1.0	2030	1165	968	1.02
	1.1	1995	1190	987	1.05
	1.2	1960	1215	1003	1.07
	1.3	1925	1235	1024	1.09
	1.4	1895	1255	1042	1.10
	1.5	1855	1280	1057	1.13
	1.6	1825	1300	1075	1.14
	1.7	1785	1320	1090	1.16
1.8	1745	1340	1106	1.18	
T5	0.8	2200	1145	1041	1.10
	0.9	2170	1170	1059	1.12
	1.0	2140	1190	1078	1.14
	1.1	2110	1215	1097	1.16
	1.2	2075	1240	1114	1.19
	1.3	2045	1260	1136	1.21
	1.4	2010	1280	1154	1.23
	1.5	1980	1300	1172	1.25
	1.6	1945	1325	1190	1.27
	1.7	1905	1345	1206	1.29
1.8	1875	1365	1222	1.31	

DFC0603W / DFC0604W / DFC0607W DOWNSHOT					
TAP	STATIC	AIRFLOW (CFM)	RPM	WATTS	BHP
T1'	0.8	1950	1085	812	0.85
	0.9	1920	1105	830	0.87
	1.0	1885	1130	846	0.89
	1.1	1850	1155	863	0.91
	1.2	1810	1180	878	0.93
	1.3	1775	1205	898	0.95
	1.4	1735	1230	915	0.97
	1.5	1700	1250	929	0.98
	1.6	1665	1270	946	1.00
	1.7	1625	1290	959	1.01
1.8	1590	1315	974	1.03	
T2'	0.8	2135	1130	975	1.03
	0.9	2105	1155	994	1.05
	1.0	2075	1175	1012	1.07
	1.1	2040	1200	1030	1.09
	1.2	2005	1225	1047	1.12
	1.3	1975	1245	1068	1.13
	1.4	1940	1265	1085	1.15
	1.5	1905	1290	1103	1.18
	1.6	1875	1310	1120	1.19
	1.7	1835	1330	1136	1.21
1.8	1800	1350	1151	1.23	
T3'	0.8	2270	1165	1109	1.17
	0.9	2235	1185	1128	1.19
	1.0	2205	1210	1147	1.22
	1.1	2175	1230	1166	1.24
	1.2	2140	1250	1183	1.26
	1.3	2110	1275	1207	1.28
	1.4	2080	1295	1225	1.30
	1.5	2045	1315	1244	1.32
	1.6	2015	1340	1262	1.35
	1.7	1980	1355	1279	1.36
1.8	1945	1375	1295	1.38	
T4'	0.8	2335	1180	1179	1.24
	0.9	2305	1205	1199	1.27
	1.0	2275	1225	1217	1.29
	1.1	2240	1250	1238	1.32
	1.2	2205	1265	1256	1.33
	1.3	2175	1285	1279	1.35
	1.4	2145	1310	1298	1.38
	1.5	2115	1330	1317	1.40
	1.6	2085	1350	1337	1.42
	1.7	2045	1370	1353	1.44
1.8	2015	1390	1371	1.46	
T5'	0.8	2530	1235	1429	1.49
	0.9	2500	1250	1451	1.51
	1.0	2470	1270	1472	1.54
	1.1	2445	1295	1493	1.57
	1.2	2410	1315	1514	1.59
	1.3	2385	1335	1538	1.61
	1.4	2355	1355	1558	1.64
	1.5	2325	1375	1581	1.66
	1.6	2295	1395	1601	1.69
	1.7	2265	1415	1620	1.71
1.8	2230	1430	1641	1.73	

# APPENDIX A BLOWER PERFORMANCE TABLES - AC

DFC0603W / DFC0604W / DFC0607W HORIZONTAL					
TAP	STATIC	AIRFLOW (CFM)	RPM	WATTS	BHP
T1	0.8	1760	1070	703	0.72
	0.9	1725	1100	721	0.74
	1.0	1685	1125	736	0.76
	1.1	1650	1150	752	0.78
	1.2	1610	1180	766	0.80
	1.3	1570	1205	785	0.81
	1.4	1530	1230	800	0.83
	1.5	1495	1250	815	0.84
	1.6	1460	1275	830	0.86
	1.7	1415	1300	843	0.88
1.8	1380	1320	857	0.89	
T2	0.8	2000	1135	897	0.94
	0.9	1925	1145	875	0.95
	1.0	1890	1170	892	0.97
	1.1	1855	1195	910	0.99
	1.2	1815	1220	925	1.02
	1.3	1780	1245	946	1.04
	1.4	1745	1270	963	1.06
	1.5	1710	1295	978	1.08
	1.6	1675	1315	995	1.09
	1.7	1635	1335	1010	1.11
1.8	1600	1360	1025	1.13	
T3	0.8	2070	1150	961	1.01
	0.9	2040	1175	980	1.03
	1.0	2010	1200	997	1.06
	1.1	1975	1225	1017	1.08
	1.2	1940	1250	1033	1.10
	1.3	1905	1270	1055	1.12
	1.4	1875	1295	1073	1.14
	1.5	1835	1320	1089	1.16
	1.6	1805	1340	1107	1.18
	1.7	1765	1360	1123	1.20
1.8	1730	1380	1139	1.21	
T4	0.8	2070	1150	961	1.01
	0.9	2040	1175	980	1.03
	1.0	2010	1200	997	1.06
	1.1	1975	1225	1017	1.08
	1.2	1940	1250	1033	1.10
	1.3	1905	1270	1055	1.12
	1.4	1875	1295	1073	1.14
	1.5	1835	1320	1089	1.16
	1.6	1805	1340	1107	1.18
	1.7	1765	1360	1123	1.20
1.8	1730	1380	1139	1.21	
T5	0.8	2180	1180	1072	1.13
	0.9	2150	1205	1091	1.15
	1.0	2120	1225	1110	1.17
	1.1	2090	1250	1130	1.20
	1.2	2055	1275	1147	1.22
	1.3	2025	1300	1170	1.25
	1.4	1990	1320	1189	1.26
	1.5	1960	1340	1207	1.28
	1.6	1925	1365	1226	1.31
	1.7	1885	1385	1242	1.33
1.8	1855	1405	1259	1.35	

DFC0603W / DFC0604W / DFC0607W HORIZONTAL					
TAP	STATIC	AIRFLOW (CFM)	RPM	WATTS	BHP
T1'	0.8	1930	1115	836	0.88
	0.9	1900	1140	855	0.90
	1.0	1865	1165	871	0.92
	1.1	1830	1190	889	0.93
	1.2	1790	1215	904	0.95
	1.3	1755	1240	925	0.97
	1.4	1720	1265	942	0.99
	1.5	1685	1290	957	1.01
	1.6	1650	1310	974	1.03
	1.7	1610	1330	988	1.04
1.8	1575	1355	1003	1.06	
T2'	0.8	2115	1165	1004	1.06
	0.9	2085	1190	1024	1.08
	1.0	2055	1210	1042	1.10
	1.1	2020	1235	1061	1.13
	1.2	1985	1260	1078	1.15
	1.3	1955	1280	1100	1.17
	1.4	1920	1305	1118	1.19
	1.5	1885	1330	1136	1.21
	1.6	1855	1350	1154	1.23
	1.7	1815	1370	1170	1.25
1.8	1780	1390	1186	1.27	
T3'	0.8	2245	1200	1142	1.21
	0.9	2215	1220	1162	1.23
	1.0	2185	1245	1181	1.25
	1.1	2155	1265	1201	1.27
	1.2	2120	1290	1219	1.30
	1.3	2090	1315	1243	1.32
	1.4	2060	1335	1262	1.34
	1.5	2025	1355	1281	1.36
	1.6	1995	1380	1300	1.39
	1.7	1960	1395	1317	1.40
1.8	1925	1415	1334	1.42	
T4'	0.8	2310	1215	1214	1.28
	0.9	2280	1240	1235	1.31
	1.0	2250	1260	1254	1.33
	1.1	2220	1285	1275	1.35
	1.2	2185	1305	1294	1.37
	1.3	2155	1325	1317	1.39
	1.4	2125	1350	1337	1.42
	1.5	2095	1370	1357	1.44
	1.6	2065	1390	1377	1.46
	1.7	2025	1410	1394	1.48
1.8	1995	1430	1412	1.51	
T5'	0.8	2505	1270	1472	1.54
	0.9	2475	1290	1495	1.56
	1.0	2445	1310	1516	1.58
	1.1	2420	1335	1538	1.61
	1.2	2385	1355	1559	1.64
	1.3	2360	1375	1584	1.66
	1.4	2330	1395	1605	1.69
	1.5	2300	1415	1628	1.71
	1.6	2270	1435	1649	1.74
	1.7	2240	1455	1669	1.76
1.8	2210	1475	1690	1.78	

# APPENDIX A BLOWER PERFORMANCE TABLES - AC

DFC0723D / DFC0724D / DFC0727D DOWNSHOT					
TAP	STATIC	AIRFLOW (CFM)	RPM	WATTS	BHP
T1	0.1	1955	800	459	0.50
	0.2	1920	825	473	0.51
	0.3	1880	855	487	0.53
	0.4	1845	880	500	0.54
	0.5	1810	910	516	0.56
	0.6	1765	940	531	0.58
	0.7	1725	975	547	0.60
	0.8	1680	1005	562	0.62
T2	0.1	1375	615	200	0.20
	0.2	1325	655	211	0.22
	0.3	1275	695	223	0.23
	0.4	1215	740	236	0.25
	0.5	1155	785	249	0.26
	0.6	1100	830	263	0.28
	0.7	1045	875	274	0.29
	0.8	985	920	288	0.31
T3	0.1	2455	970	850	0.92
	0.2	2425	990	865	0.94
	0.3	2390	1015	882	0.97
	0.4	2355	1035	899	0.99
	0.5	2320	1060	914	1.01
	0.6	2290	1080	932	1.03
	0.7	2255	1100	947	1.05
	0.8	2220	1120	963	1.07
T4	0.1	2180	875	604	0.66
	0.2	2145	900	619	0.68
	0.3	2110	920	634	0.69
	0.4	2080	945	648	0.71
	0.5	2045	970	664	0.73
	0.6	2010	995	680	0.75
	0.7	1975	1020	696	0.77
	0.8	1935	1050	712	0.79
T5	0.1	2455	970	850	0.92
	0.2	2425	990	865	0.94
	0.3	2390	1015	882	0.97
	0.4	2355	1035	899	0.99
	0.5	2320	1060	914	1.01
	0.6	2290	1080	932	1.03
	0.7	2255	1100	947	1.05
	0.8	2220	1120	963	1.07

DFC0723D / DFC0724D / DFC0727D HORIZONTAL					
TAP	STATIC	AIRFLOW (CFM)	RPM	WATTS	BHP
T1	0.1	1995	790	452	0.49
	0.2	1960	815	466	0.50
	0.3	1920	845	480	0.52
	0.4	1880	870	493	0.54
	0.5	1845	900	508	0.56
	0.6	1800	930	523	0.58
	0.7	1760	965	539	0.60
	0.8	1715	995	554	0.62
T2	0.1	1405	610	197	0.20
	0.2	1350	650	208	0.22
	0.3	1300	690	220	0.23
	0.4	1240	735	232	0.24
	0.5	1180	775	245	0.26
	0.6	1120	820	259	0.27
	0.7	1065	865	270	0.29
	0.8	1005	910	284	0.30
T3	0.1	2505	960	837	0.91
	0.2	2475	980	852	0.93
	0.3	2440	1005	869	0.96
	0.4	2400	1025	886	0.98
	0.5	2365	1050	900	1.00
	0.6	2335	1070	918	1.02
	0.7	2300	1090	933	1.04
	0.8	2265	1110	949	1.06
T4	0.1	2225	865	595	0.65
	0.2	2190	890	610	0.67
	0.3	2150	910	624	0.68
	0.4	2120	935	638	0.70
	0.5	2085	960	654	0.72
	0.6	2050	985	670	0.74
	0.7	2015	1010	686	0.76
	0.8	1975	1040	701	0.78
T5	0.1	2505	960	837	0.91
	0.2	2475	980	852	0.93
	0.3	2440	1005	869	0.96
	0.4	2400	1025	886	0.98
	0.5	2365	1050	900	1.00
	0.6	2335	1070	918	1.02
	0.7	2300	1090	933	1.04
	0.8	2265	1110	949	1.06

# APPENDIX A BLOWER PERFORMANCE TABLES - AC

DFC0723W / DFC0724W / DFC0727W DOWNSHOT					
TAP	STATIC	AIRFLOW (CFM)	RPM	WATTS	BHP
T1	0.6	2115	1045	836	0.87
	0.7	2080	1070	854	0.89
	0.8	2045	1095	872	0.91
	0.9	1985	1120	891	0.93
	1.0	1970	1155	896	0.96
	1.1	1940	1170	924	0.97
	1.2	1910	1195	944	0.99
	1.3	1875	1215	962	1.01
	1.4	1850	1240	982	1.03
	1.5	1815	1265	1001	1.05
1.6	1775	1290	1017	1.07	
1.7	1740	1310	1037	1.09	
1.8	1705	1335	1055	1.11	
T2	0.6	1920	990	686	0.70
	0.7	1885	1020	703	0.72
	0.8	1845	1045	720	0.74
	0.9	1790	1075	736	0.76
	1.0	1770	1110	746	0.78
	1.1	1735	1125	769	0.80
	1.2	1700	1155	786	0.82
	1.3	1665	1180	803	0.83
	1.4	1650	1205	832	0.85
	1.5	1610	1230	850	0.87
1.6	1575	1260	866	0.89	
1.7	1535	1285	885	0.91	
1.8	1495	1310	902	0.93	
T3	0.6	2595	1175	1332	1.38
	0.7	2560	1195	1354	1.41
	0.8	2525	1220	1376	1.44
	0.9	2465	1240	1399	1.46
	1.0	2460	1275	1406	1.50
	1.1	2435	1280	1441	1.51
	1.2	2405	1300	1463	1.53
	1.3	2375	1320	1484	1.56
	1.4	2335	1340	1498	1.58
	1.5	2305	1360	1519	1.60
1.6	2275	1380	1538	1.63	
1.7	2245	1400	1559	1.65	
1.8	2210	1420	1580	1.67	
T4	0.6	2700	1205	1475	1.52
	0.7	2665	1225	1499	1.55
	0.8	2635	1245	1522	1.57
	0.9	2570	1265	1546	1.60
	1.0	2570	1300	1556	1.64
	1.1	2540	1305	1590	1.65
	1.2	2510	1325	1612	1.68
	1.3	2480	1345	1634	1.70
	1.4	2445	1365	1650	1.73
	1.5	2415	1385	1672	1.75
1.6	2380	1400	1692	1.77	
1.7	2355	1420	1713	1.80	
1.8	2320	1440	1735	1.82	
T5	0.6	2690	1200	1462	1.51
	0.7	2655	1220	1485	1.53
	0.8	2625	1245	1508	1.56
	0.9	2565	1265	1532	1.59
	1.0	2560	1295	1542	1.63
	1.1	2530	1305	1576	1.64
	1.2	2500	1325	1598	1.67
	1.3	2470	1340	1620	1.68
	1.4	2435	1360	1636	1.71
	1.5	2405	1380	1658	1.73
1.6	2375	1400	1678	1.76	
1.7	2345	1420	1699	1.78	
1.8	2310	1440	1720	1.81	

DFC0723W / DFC0724W / DFC0727W DOWNSHOT					
TAP	STATIC	AIRFLOW (CFM)	RPM	WATTS	BHP
T1'	0.6	2280	1085	980	1.02
	0.7	2240	1110	1000	1.05
	0.8	2205	1135	1019	1.07
	0.9	2150	1160	1039	1.09
	1.0	2140	1195	1043	1.13
	1.1	2105	1205	1074	1.14
	1.2	2075	1225	1096	1.15
	1.3	2045	1250	1114	1.18
	1.4	2010	1270	1130	1.20
	1.5	1980	1295	1149	1.22
1.6	1945	1315	1166	1.24	
1.7	1910	1340	1186	1.26	
1.8	1875	1360	1205	1.28	
T2'	0.6	2070	1030	797	0.83
	0.7	2030	1055	815	0.85
	0.8	1995	1085	833	0.87
	0.9	1940	1110	851	0.89
	1.0	1925	1145	857	0.92
	1.1	1890	1160	884	0.93
	1.2	1855	1185	903	0.95
	1.3	1825	1205	921	0.97
	1.4	1800	1230	943	0.99
	1.5	1765	1255	961	1.01
1.6	1725	1280	977	1.03	
1.7	1690	1305	997	1.05	
1.8	1650	1330	1015	1.07	
T3'	0.6	2750	1215	1543	1.58
	0.7	2715	1240	1567	1.62
	0.8	2680	1260	1590	1.64
	0.9	2620	1280	1615	1.67
	1.0	2620	1310	1627	1.71
	1.1	2590	1320	1661	1.72
	1.2	2560	1335	1683	1.74
	1.3	2530	1355	1705	1.77
	1.4	2490	1375	1722	1.79
	1.5	2465	1395	1745	1.82
1.6	2430	1415	1765	1.84	
1.7	2405	1430	1786	1.86	
1.8	2370	1450	1809	1.89	
T4'	0.6	2820	1240	1654	1.69
	0.7	2785	1260	1679	1.72
	0.8	2755	1280	1703	1.75
	0.9	2690	1300	1729	1.78
	1.0	2690	1325	1744	1.81
	1.1	2660	1335	1777	1.82
	1.2	2630	1355	1799	1.85
	1.3	2600	1375	1822	1.88
	1.4	2565	1395	1842	1.91
	1.5	2535	1415	1865	1.93
1.6	2505	1430	1887	1.95	
1.7	2480	1450	1908	1.98	
1.8	2445	1465	1931	2.00	
T5'	0.6	2855	1250	1712	1.75
	0.7	2820	1265	1737	1.77
	0.8	2790	1290	1762	1.80
	0.9	2725	1310	1787	1.83
	1.0	2725	1335	1804	1.87
	1.1	2695	1345	1837	1.88
	1.2	2665	1365	1858	1.91
	1.3	2635	1385	1882	1.94
	1.4	2600	1405	1904	1.96
	1.5	2575	1420	1927	1.99
1.6	2540	1440	1949	2.01	
1.7	2515	1460	1970	2.04	
1.8	2480	1475	1993	2.06	



# APPENDIX A BLOWER PERFORMANCE TABLES - AC

DFC0723W / DFC0724W / DFC0727W HORIZONTAL					
TAP	STATIC	AIRFLOW (CFM)	RPM	WATTS	BHP
T1	0.6	2085	1080	869	0.90
	0.7	2050	1105	888	0.92
	0.8	2015	1135	907	0.94
	0.9	1955	1160	927	0.97
	1.0	1940	1195	932	0.99
	1.1	1910	1210	961	1.01
	1.2	1880	1235	982	1.03
	1.3	1845	1260	1000	1.05
	1.4	1820	1285	1021	1.07
	1.5	1790	1310	1041	1.09
1.6	1750	1335	1058	1.11	
1.7	1715	1355	1078	1.13	
1.8	1680	1380	1097	1.15	
T2	0.6	1890	1025	713	0.72
	0.7	1855	1055	731	0.75
	0.8	1815	1080	749	0.76
	0.9	1765	1115	765	0.79
	1.0	1745	1150	776	0.81
	1.1	1710	1165	800	0.82
	1.2	1675	1195	817	0.84
	1.3	1640	1220	835	0.86
	1.4	1625	1245	865	0.88
	1.5	1585	1275	884	0.90
1.6	1550	1305	901	0.92	
1.7	1510	1330	920	0.94	
1.8	1475	1355	938	0.96	
T3	0.6	2555	1215	1385	1.43
	0.7	2520	1235	1408	1.45
	0.8	2485	1265	1431	1.49
	0.9	2430	1285	1455	1.51
	1.0	2425	1320	1462	1.56
	1.1	2400	1325	1499	1.56
	1.2	2370	1345	1522	1.58
	1.3	2340	1365	1543	1.61
	1.4	2300	1385	1558	1.63
	1.5	2270	1410	1580	1.66
1.6	2240	1430	1600	1.68	
1.7	2210	1450	1621	1.71	
1.8	2175	1470	1643	1.73	
T4	0.6	2660	1245	1534	1.57
	0.7	2625	1270	1559	1.61
	0.8	2595	1290	1583	1.63
	0.9	2530	1310	1608	1.66
	1.0	2530	1345	1618	1.70
	1.1	2500	1350	1654	1.71
	1.2	2470	1370	1676	1.73
	1.3	2445	1390	1699	1.76
	1.4	2410	1415	1716	1.79
	1.5	2380	1435	1739	1.81
1.6	2345	1450	1760	1.83	
1.7	2320	1470	1782	1.86	
1.8	2285	1490	1804	1.88	
T5	0.6	2650	1240	1520	1.56
	0.7	2615	1265	1544	1.59
	0.8	2585	1290	1568	1.62
	0.9	2525	1310	1593	1.65
	1.0	2520	1340	1604	1.68
	1.1	2490	1350	1639	1.70
	1.2	2465	1370	1662	1.72
	1.3	2435	1385	1685	1.74
	1.4	2400	1410	1701	1.77
	1.5	2370	1430	1724	1.80
1.6	2340	1450	1745	1.82	
1.7	2310	1470	1767	1.85	
1.8	2275	1490	1789	1.87	

DFC0723W / DFC0724W / DFC0727W HORIZONTAL					
TAP	STATIC	AIRFLOW (CFM)	RPM	WATTS	BHP
T1'	0.6	2245	1125	1019	1.06
	0.7	2205	1150	1040	1.08
	0.8	2170	1175	1060	1.11
	0.9	2120	1200	1081	1.13
	1.0	2110	1235	1085	1.16
	1.1	2075	1245	1117	1.17
	1.2	2045	1270	1140	1.20
	1.3	2015	1295	1159	1.22
	1.4	1980	1315	1175	1.24
	1.5	1950	1340	1195	1.26
1.6	1915	1360	1213	1.28	
1.7	1880	1385	1233	1.31	
1.8	1845	1410	1253	1.33	
T2'	0.6	2040	1065	829	0.85
	0.7	2000	1090	848	0.87
	0.8	1965	1125	866	0.90
	0.9	1910	1150	885	0.92
	1.0	1895	1185	891	0.95
	1.1	1860	1200	919	0.96
	1.2	1825	1225	939	0.98
	1.3	1800	1245	958	1.00
	1.4	1775	1275	981	1.02
	1.5	1740	1300	999	1.04
1.6	1700	1325	1016	1.06	
1.7	1665	1350	1037	1.08	
1.8	1625	1375	1056	1.10	
T3'	0.6	2710	1260	1605	1.64
	0.7	2675	1285	1630	1.68
	0.8	2640	1305	1654	1.70
	0.9	2580	1325	1680	1.73
	1.0	2580	1355	1692	1.77
	1.1	2550	1365	1727	1.78
	1.2	2520	1380	1750	1.80
	1.3	2490	1400	1773	1.83
	1.4	2455	1425	1791	1.86
	1.5	2430	1445	1815	1.88
1.6	2395	1465	1836	1.91	
1.7	2370	1480	1857	1.93	
1.8	2335	1500	1881	1.96	
T4'	0.6	2780	1285	1720	1.76
	0.7	2745	1305	1746	1.78
	0.8	2715	1325	1771	1.81
	0.9	2650	1345	1798	1.84
	1.0	2650	1370	1814	1.87
	1.1	2620	1380	1848	1.89
	1.2	2590	1400	1871	1.91
	1.3	2560	1425	1895	1.95
	1.4	2525	1445	1916	1.97
	1.5	2495	1465	1940	2.00
1.6	2465	1480	1962	2.02	
1.7	2445	1500	1984	2.05	
1.8	2410	1515	2008	2.07	
T5'	0.6	2810	1295	1780	1.81
	0.7	2780	1310	1806	1.83
	0.8	2750	1335	1832	1.87
	0.9	2685	1355	1858	1.89
	1.0	2685	1380	1876	1.93
	1.1	2655	1390	1910	1.94
	1.2	2625	1415	1932	1.98
	1.3	2595	1435	1957	2.01
	1.4	2560	1455	1980	2.03
	1.5	2535	1470	2004	2.06
1.6	2500	1490	2027	2.08	
1.7	2475	1510	2049	2.11	
1.8	2445	1525	2073	2.13	

# APPENDIX A BLOWER PERFORMANCE TABLES - HP

DFH0361D / DFH0363D DOWNSHOT					
TAP	STATIC	AIRFLOW (CFM)	RPM	WATTS	BHP
T1	0.1	1111	571	136	0.14
	0.2	1025	604	146	0.15
	0.3	962	646	154	0.16
	0.4	897	693	164	0.17
	0.5	825	736	173	0.18
	0.6	768	776	181	0.19
	0.7	707	818	189	0.20
	0.8	645	851	196	0.21
T2	0.1	1338	647	214	0.22
	0.2	1268	683	225	0.24
	0.3	1215	716	234	0.25
	0.4	1157	756	245	0.26
	0.5	1100	794	257	0.27
	0.6	1051	828	266	0.29
	0.7	1000	863	276	0.30
	0.8	943	900	286	0.31
T3	0.1	1295	633	198	0.21
	0.2	1223	668	209	0.22
	0.3	1168	703	218	0.23
	0.4	1109	744	229	0.24
	0.5	1050	783	240	0.26
	0.6	1000	819	249	0.27
	0.7	947	855	258	0.28
	0.8	889	890	268	0.29
T4	0.1	1461	690	265	0.28
	0.2	1400	726	277	0.30
	0.3	1349	756	286	0.31
	0.4	1295	791	298	0.32
	0.5	1246	826	310	0.34
	0.6	1200	858	320	0.35
	0.7	1153	890	331	0.36
	0.8	1098	928	343	0.38
T5	0.1	1547	719	304	0.33
	0.2	1489	755	316	0.34
	0.3	1440	783	326	0.35
	0.4	1388	816	338	0.37
	0.5	1343	848	351	0.38
	0.6	1299	879	361	0.40
	0.7	1253	910	373	0.41
	0.8	1200	948	386	0.43

DFH0361D / DFH0363D HORIZONTAL					
TAP	STATIC	AIRFLOW (CFM)	RPM	WATTS	BHP
T1	0.1	1158	534	57	0.13
	0.2	1100	573	64	0.14
	0.3	1019	615	66	0.15
	0.4	947	667	71	0.16
	0.5	870	713	76	0.17
	0.6	815	754	80	0.18
	0.7	760	791	83	0.19
	0.8	700	829	87	0.20
T2	0.1	1399	608	92	0.21
	0.2	1341	646	99	0.22
	0.3	1284	682	103	0.24
	0.4	1226	721	108	0.25
	0.5	1167	758	112	0.26
	0.6	1112	797	118	0.28
	0.7	1055	837	123	0.29
	0.8	996	877	129	0.30
T3	0.1	1354	594	85	0.19
	0.2	1297	633	91	0.21
	0.3	1235	670	96	0.22
	0.4	1175	710	100	0.23
	0.5	1113	749	105	0.24
	0.6	1058	789	110	0.26
	0.7	1001	829	115	0.27
	0.8	941	868	120	0.28
T4	0.1	1530	648	115	0.26
	0.2	1473	686	121	0.28
	0.3	1425	719	127	0.29
	0.4	1373	752	131	0.31
	0.5	1321	786	136	0.32
	0.6	1268	822	142	0.34
	0.7	1211	863	149	0.35
	0.8	1154	902	155	0.37
T5	0.1	1619	675	132	0.31
	0.2	1564	712	139	0.32
	0.3	1519	744	145	0.34
	0.4	1471	774	149	0.35
	0.5	1424	806	155	0.36
	0.6	1372	841	160	0.38
	0.7	1316	880	168	0.40
	0.8	1261	918	174	0.41

# APPENDIX A BLOWER PERFORMANCE TABLES - HP

DFH0364D / DFH0367D DOWNSHOT					
TAP	STATIC	AIRFLOW (CFM)	RPM	WATTS	BHP
T1/ T1'	0.1	1093	535	86	0.12
	0.2	1028	583	94	0.13
	0.3	962	630	103	0.14
	0.4	894	678	107	0.15
	0.5	826	725	111	0.16
	0.6	764	767	120	0.17
	0.7	697	808	125	0.18
	0.8	631	849	129	0.18
T2/ T2'	0.1	1463	679	166	0.26
	0.2	1415	711	173	0.28
	0.3	1366	742	179	0.29
	0.4	1311	779	187	0.30
	0.5	1256	817	194	0.32
	0.6	1202	853	201	0.33
	0.7	1145	889	208	0.34
	0.8	1088	925	215	0.36
T3/ T3'	0.1	1285	610	123	0.18
	0.2	1228	649	131	0.20
	0.3	1172	687	138	0.21
	0.4	1111	730	144	0.22
	0.5	1050	772	150	0.23
	0.6	992	811	158	0.25
	0.7	931	849	164	0.26
	0.8	869	888	170	0.27
T4/ T4'	0.1	1462	678	166	0.26
	0.2	1413	710	172	0.27
	0.3	1364	742	179	0.29
	0.4	1309	779	186	0.30
	0.5	1254	816	194	0.32
	0.6	1200	853	201	0.33
	0.7	1143	889	208	0.34
	0.8	1086	925	214	0.36
T5/ T5'	0.1	1555	715	191	0.31
	0.2	1510	743	198	0.32
	0.3	1464	771	204	0.33
	0.4	1413	806	212	0.35
	0.5	1361	841	220	0.36
	0.6	1309	876	227	0.38
	0.7	1254	911	234	0.39
	0.8	1200	945	242	0.41

DFH0364D / DFH0367D HORIZONTAL					
TAP	STATIC	AIRFLOW (CFM)	RPM	WATTS	BHP
T1/ T1'	0.1	1140	505	76	0.11
	0.2	1084	545	82	0.12
	0.3	1028	584	87	0.13
	0.4	956	635	96	0.14
	0.5	884	685	106	0.15
	0.6	812	736	110	0.16
	0.7	741	783	115	0.17
	0.8	669	829	120	0.18
T2/ T2'	0.1	1532	633	155	0.25
	0.2	1485	664	161	0.26
	0.3	1438	694	166	0.27
	0.4	1388	729	174	0.28
	0.5	1337	764	182	0.30
	0.6	1282	803	190	0.31
	0.7	1225	841	198	0.33
	0.8	1168	878	206	0.34
T3/ T3'	0.1	1343	572	114	0.17
	0.2	1292	606	119	0.18
	0.3	1241	641	124	0.19
	0.4	1181	683	133	0.21
	0.5	1120	724	141	0.22
	0.6	1057	769	148	0.23
	0.7	993	811	154	0.25
	0.8	930	853	161	0.26
T4/ T4'	0.1	1530	633	155	0.24
	0.2	1483	663	160	0.26
	0.3	1436	694	166	0.27
	0.4	1386	728	174	0.28
	0.5	1335	763	181	0.30
	0.6	1279	802	190	0.31
	0.7	1223	840	197	0.32
	0.8	1166	878	205	0.34
T5/ T5'	0.1	1629	665	180	0.29
	0.2	1584	694	185	0.30
	0.3	1539	722	191	0.31
	0.4	1493	753	198	0.33
	0.5	1447	785	206	0.34
	0.6	1395	821	215	0.36
	0.7	1342	857	223	0.37
	0.8	1288	893	232	0.39

# APPENDIX A BLOWER PERFORMANCE TABLES - HP

DFH0363W / DFH0364W / DFH0367W DOWNSHOT					
TAP	STATIC	AIRFLOW (CFM)	RPM	WATTS	BHP
T1	0.8	1100	927	218	0.36
	0.9	1042	960	225	0.38
	1	983	993	233	0.39
	1.1	935	1027	240	0.40
	1.2	873	1058	248	0.42
	1.3	824	1087	253	0.43
	1.4	775	1113	258	0.44
	1.5	725	1138	262	0.45
	1.6	668	1164	276	0.46
	1.7	634	1188	283	0.47
1.8	601	1212	290	0.48	
T2	0.8	1418	986	303	0.52
	0.9	1368	1017	313	0.54
	1	1319	1047	323	0.55
	1.1	1269	1077	332	0.57
	1.2	1218	1107	341	0.59
	1.3	1167	1137	350	0.60
	1.4	1116	1164	358	0.62
	1.5	1065	1192	365	0.63
	1.6	1014	1216	371	0.64
	1.7	973	1241	379	0.66
1.8	931	1265	387	0.67	
T3	0.8	1309	965	271	0.46
	0.9	1257	997	280	0.48
	1	1205	1028	289	0.49
	1.1	1155	1059	298	0.51
	1.2	1101	1090	306	0.52
	1.3	1050	1120	314	0.54
	1.4	999	1147	321	0.55
	1.5	948	1173	328	0.56
	1.6	895	1198	336	0.58
	1.7	856	1223	343	0.59
1.8	817	1247	350	0.60	
T4	0.8	1401	983	298	0.51
	0.9	1351	1014	308	0.53
	1	1301	1044	318	0.54
	1.1	1251	1074	326	0.56
	1.2	1200	1104	335	0.58
	1.3	1149	1134	345	0.59
	1.4	1098	1162	352	0.61
	1.5	1047	1189	359	0.62
	1.6	995	1214	366	0.63
	1.7	954	1238	373	0.65
1.8	913	1262	381	0.66	
T5	0.8	1495	1001	328	0.57
	0.9	1448	1031	339	0.58
	1	1400	1061	349	0.60
	1.1	1351	1091	358	0.62
	1.2	1302	1120	367	0.63
	1.3	1251	1150	378	0.65
	1.4	1200	1177	386	0.67
	1.5	1149	1205	395	0.68
	1.6	1100	1229	399	0.70
	1.7	1057	1254	407	0.71
1.8	1014	1278	415	0.72	

DFH0363W / DFH0364W / DFH0367W DOWNSHOT					
TAP	STATIC	AIRFLOW (CFM)	RPM	WATTS	BHP
T1'	0.8	1317	967	273	0.47
	0.9	1265	998	282	0.48
	1	1213	1029	292	0.50
	1.1	1163	1061	300	0.51
	1.2	1109	1091	308	0.53
	1.3	1058	1121	317	0.54
	1.4	1007	1148	323	0.56
	1.5	956	1175	330	0.57
	1.6	903	1200	338	0.58
	1.7	864	1224	345	0.59
1.8	825	1248	353	0.60	
T2'	0.8	1634	1030	379	0.66
	0.9	1590	1059	391	0.67
	1	1546	1088	402	0.69
	1.1	1497	1116	412	0.71
	1.2	1453	1144	421	0.73
	1.3	1402	1174	433	0.75
	1.4	1352	1201	443	0.76
	1.5	1302	1228	452	0.78
	1.6	1255	1253	456	0.80
	1.7	1211	1277	464	0.81
1.8	1167	1302	473	0.83	
T3'	0.8	1528	1008	340	0.59
	0.9	1482	1038	350	0.60
	1	1435	1068	361	0.62
	1.1	1385	1096	370	0.64
	1.2	1338	1126	379	0.66
	1.3	1287	1155	391	0.67
	1.4	1236	1183	399	0.69
	1.5	1185	1210	408	0.70
	1.6	1136	1235	412	0.72
	1.7	1093	1259	420	0.73
1.8	1050	1284	428	0.75	
T4'	0.8	1585	1020	360	0.62
	0.9	1540	1049	371	0.64
	1	1495	1078	382	0.66
	1.1	1445	1107	392	0.68
	1.2	1400	1135	401	0.69
	1.3	1349	1165	413	0.71
	1.4	1298	1193	422	0.73
	1.5	1248	1220	431	0.74
	1.6	1200	1244	435	0.76
	1.7	1156	1269	443	0.77
1.8	1112	1293	452	0.79	
T5'	0.8	1664	1037	391	0.68
	0.9	1621	1065	403	0.69
	1	1577	1094	414	0.71
	1.1	1529	1121	424	0.73
	1.2	1485	1150	434	0.75
	1.3	1435	1179	446	0.77
	1.4	1385	1206	456	0.79
	1.5	1335	1233	466	0.80
	1.6	1289	1258	469	0.82
	1.7	1245	1282	478	0.84
1.8	1200	1307	487	0.85	

# APPENDIX A BLOWER PERFORMANCE TABLES - HP

DFH0363W / DFH0364W / DFH0367W HORIZONTAL					
TAP	STATIC	AIRFLOW (CFM)	RPM	WATTS	BHP
T1	0.8	1181	880	208	0.35
	0.9	1118	917	215	0.36
	1	1055	954	222	0.37
	1.1	1000	987	228	0.39
	1.2	944	1020	235	0.40
	1.3	892	1055	241	0.41
	1.4	838	1085	248	0.43
	1.5	789	1117	255	0.44
	1.6	774	1163	227	0.46
	1.7	670	1183	247	0.46
1.8	630	1209	265	0.47	
T2	0.8	1521	923	290	0.49
	0.9	1467	958	300	0.51
	1	1413	992	309	0.52
	1.1	1362	1025	316	0.54
	1.2	1311	1057	324	0.56
	1.3	1260	1089	338	0.58
	1.4	1210	1117	346	0.59
	1.5	1162	1147	353	0.61
	1.6	1126	1181	351	0.63
	1.7	1058	1205	367	0.64
1.8	1004	1233	381	0.65	
T3	0.8	1406	908	260	0.44
	0.9	1349	943	268	0.45
	1	1292	978	277	0.47
	1.1	1239	1011	284	0.49
	1.2	1186	1044	291	0.50
	1.3	1135	1077	303	0.52
	1.4	1083	1106	310	0.53
	1.5	1035	1137	317	0.55
	1.6	1005	1174	307	0.56
	1.7	926	1197	324	0.57
1.8	875	1224	340	0.59	
T4	0.8	1503	921	285	0.48
	0.9	1449	955	294	0.50
	1	1394	990	304	0.52
	1.1	1343	1022	311	0.53
	1.2	1291	1055	319	0.55
	1.3	1241	1087	332	0.57
	1.4	1190	1116	340	0.58
	1.5	1142	1146	348	0.60
	1.6	1107	1180	344	0.62
	1.7	1037	1204	360	0.63
1.8	983	1232	374	0.64	
T5	0.8	1603	936	314	0.53
	0.9	1552	969	324	0.55
	1	1500	1002	334	0.57
	1.1	1450	1034	341	0.59
	1.2	1399	1067	349	0.60
	1.3	1350	1098	364	0.62
	1.4	1300	1126	373	0.64
	1.5	1253	1156	381	0.65
	1.6	1213	1187	384	0.67
	1.7	1152	1212	398	0.69
1.8	1095	1240	412	0.70	

DFH0363W / DFH0364W / DFH0367W HORIZONTAL					
TAP	STATIC	AIRFLOW (CFM)	RPM	WATTS	BHP
T1'	0.8	1414	909	262	0.44
	0.9	1357	944	270	0.46
	1	1300	979	279	0.47
	1.1	1247	1012	286	0.49
	1.2	1194	1045	293	0.51
	1.3	1143	1078	305	0.52
	1.4	1092	1107	313	0.54
	1.5	1044	1137	320	0.55
	1.6	1014	1174	310	0.57
	1.7	935	1197	327	0.58
1.8	884	1225	342	0.59	
T2'	0.8	1750	960	362	0.61
	0.9	1703	991	372	0.63
	1	1655	1022	383	0.65
	1.1	1607	1053	391	0.67
	1.2	1560	1085	400	0.69
	1.3	1511	1115	416	0.71
	1.4	1463	1142	426	0.73
	1.5	1417	1171	435	0.74
	1.6	1371	1199	446	0.76
	1.7	1320	1225	459	0.78
1.8	1263	1253	471	0.80	
T3'	0.8	1639	941	325	0.55
	0.9	1588	974	335	0.57
	1	1537	1007	345	0.59
	1.1	1487	1039	353	0.60
	1.2	1438	1071	361	0.62
	1.3	1388	1102	376	0.64
	1.4	1339	1130	385	0.66
	1.5	1292	1159	393	0.67
	1.6	1250	1189	398	0.69
	1.7	1192	1215	412	0.71
1.8	1135	1243	426	0.72	
T4'	0.8	1699	951	344	0.58
	0.9	1649	983	354	0.60
	1	1600	1015	365	0.62
	1.1	1552	1047	373	0.64
	1.2	1503	1078	381	0.66
	1.3	1454	1109	397	0.68
	1.4	1405	1136	406	0.69
	1.5	1359	1166	415	0.71
	1.6	1315	1194	423	0.73
	1.7	1261	1220	437	0.74
1.8	1203	1248	450	0.76	
T5'	0.8	1782	965	373	0.63
	0.9	1735	996	384	0.65
	1	1688	1027	394	0.67
	1.1	1641	1058	403	0.69
	1.2	1594	1089	412	0.71
	1.3	1546	1119	428	0.73
	1.4	1498	1146	438	0.75
	1.5	1452	1175	448	0.77
	1.6	1405	1201	460	0.78
	1.7	1357	1228	472	0.80
1.8	1299	1256	485	0.82	



# APPENDIX A BLOWER PERFORMANCE TABLES - HP

DFH0481D / DFH0483D DOWNSHOT					
TAP	STATIC	AIRFLOW (CFM)	RPM	WATTS	BHP
T1	0.1	1315	613	191	0.22
	0.2	1258	649	201	0.23
	0.3	1202	689	212	0.24
	0.4	1148	728	222	0.26
	0.5	1101	767	232	0.27
	0.6	1028	810	243	0.28
	0.7	969	848	253	0.30
	0.8	915	883	262	0.31
T2	0.1	1734	760	374	0.45
	0.2	1690	785	384	0.46
	0.3	1645	814	397	0.48
	0.4	1600	844	410	0.49
	0.5	1562	874	423	0.51
	0.6	1512	905	436	0.53
	0.7	1467	936	449	0.55
	0.8	1421	966	462	0.57
T3	0.1	1632	723	323	0.38
	0.2	1585	751	333	0.39
	0.3	1537	782	345	0.41
	0.4	1490	815	357	0.43
	0.5	1450	847	370	0.44
	0.6	1395	880	382	0.46
	0.7	1347	913	395	0.48
	0.8	1299	944	407	0.50
T4	0.1	1811	787	417	0.50
	0.2	1770	811	427	0.51
	0.3	1727	838	440	0.53
	0.4	1683	867	454	0.55
	0.5	1646	895	467	0.57
	0.6	1600	924	481	0.59
	0.7	1556	954	495	0.61
	0.8	1512	983	508	0.62
T5	0.1	1886	815	463	0.56
	0.2	1848	836	472	0.57
	0.3	1807	861	486	0.59
	0.4	1764	889	500	0.61
	0.5	1728	916	513	0.63
	0.6	1684	944	528	0.65
	0.7	1642	973	542	0.67
	0.8	1600	1001	556	0.69

DFH0481D / DFH0483D HORIZONTAL					
TAP	STATIC	AIRFLOW (CFM)	RPM	WATTS	BHP
T1	0.1	1343	591	185	0.21
	0.2	1282	631	196	0.22
	0.3	1224	670	207	0.24
	0.4	1171	713	218	0.25
	0.5	1110	755	228	0.27
	0.6	1045	799	240	0.28
	0.7	973	839	251	0.30
	0.8	917	876	261	0.31
T2	0.1	1776	728	361	0.43
	0.2	1722	762	375	0.45
	0.3	1670	785	389	0.46
	0.4	1625	826	402	0.48
	0.5	1581	856	415	0.50
	0.6	1538	888	428	0.52
	0.7	1492	919	441	0.54
	0.8	1445	952	455	0.56
T3	0.1	1669	694	312	0.36
	0.2	1614	730	325	0.38
	0.3	1560	757	339	0.40
	0.4	1513	798	351	0.42
	0.5	1467	831	363	0.44
	0.6	1418	865	376	0.45
	0.7	1368	898	388	0.47
	0.8	1318	932	401	0.49
T4	0.1	1856	753	401	0.48
	0.2	1804	785	416	0.50
	0.3	1753	806	431	0.51
	0.4	1709	847	444	0.54
	0.5	1668	876	457	0.56
	0.6	1627	906	471	0.58
	0.7	1585	935	485	0.59
	0.8	1540	967	499	0.61
T5	0.1	1935	778	444	0.53
	0.2	1884	809	459	0.55
	0.3	1834	826	474	0.57
	0.4	1792	868	488	0.59
	0.5	1752	896	502	0.61
	0.6	1713	924	516	0.63
	0.7	1674	952	531	0.65
	0.8	1630	983	546	0.67

# APPENDIX A BLOWER PERFORMANCE TABLES - HP

DFH0484D / DFH0487D DOWNSHOT					
TAP	STATIC	AIRFLOW (CFM)	RPM	WATTS	BHP
T1/ T1'	0.1	1344	605	121	0.20
	0.2	1265	651	128	0.21
	0.3	1216	694	136	0.23
	0.4	1158	734	143	0.24
	0.5	1100	775	150	0.25
	0.6	1038	814	156	0.27
	0.7	975	851	161	0.28
	0.8	910	888	168	0.29
T2/ T2'	0.1	1724	730	211	0.37
	0.2	1660	763	221	0.38
	0.3	1618	797	229	0.40
	0.4	1571	831	238	0.42
	0.5	1523	865	248	0.43
	0.6	1474	898	257	0.45
	0.7	1409	930	264	0.47
	0.8	1375	963	272	0.48
T3/ T3'	0.1	1658	707	192	0.33
	0.2	1588	742	201	0.35
	0.3	1548	778	209	0.36
	0.4	1499	813	218	0.38
	0.5	1450	848	227	0.40
	0.6	1399	882	236	0.41
	0.7	1331	915	243	0.43
	0.8	1296	948	250	0.44
T4/ T4'	0.1	1837	770	248	0.43
	0.2	1785	800	258	0.45
	0.3	1738	831	267	0.47
	0.4	1692	863	277	0.49
	0.5	1646	895	287	0.51
	0.6	1600	927	296	0.52
	0.7	1546	957	305	0.54
	0.8	1509	989	313	0.56
T5/ T5'	0.1	1916	798	278	0.49
	0.2	1873	826	288	0.50
	0.3	1822	856	296	0.52
	0.4	1777	886	307	0.54
	0.5	1732	918	318	0.56
	0.6	1687	948	327	0.58
	0.7	1642	978	337	0.60
	0.8	1600	1008	345	0.62

DFH0484D / DFH0487D HORIZONTAL					
TAP	STATIC	AIRFLOW (CFM)	RPM	WATTS	BHP
T1/ T1'	0.1	1379	593	107	0.19
	0.2	1336	627	115	0.21
	0.3	1285	666	122	0.22
	0.4	1232	707	128	0.23
	0.5	1177	747	136	0.24
	0.6	1104	795	145	0.26
	0.7	1043	837	149	0.27
	0.8	987	874	161	0.29
T2/ T2'	0.1	1749	706	200	0.35
	0.2	1716	732	207	0.37
	0.3	1675	762	214	0.38
	0.4	1633	793	225	0.40
	0.5	1588	825	233	0.41
	0.6	1540	860	241	0.43
	0.7	1495	893	251	0.45
	0.8	1445	927	259	0.47
T3/ T3'	0.1	1681	685	180	0.32
	0.2	1646	712	188	0.33
	0.3	1604	743	195	0.35
	0.4	1559	776	205	0.36
	0.5	1513	810	213	0.38
	0.6	1461	847	221	0.40
	0.7	1413	882	230	0.41
	0.8	1362	916	238	0.43
T4/ T4'	0.1	1868	744	237	0.42
	0.2	1838	767	245	0.43
	0.3	1800	794	252	0.45
	0.4	1761	823	263	0.46
	0.5	1719	853	271	0.48
	0.6	1678	884	279	0.50
	0.7	1636	915	291	0.52
	0.8	1589	947	298	0.53
T5/ T5'	0.1	1954	771	266	0.47
	0.2	1925	793	274	0.48
	0.3	1889	819	282	0.50
	0.4	1851	846	293	0.52
	0.5	1812	874	301	0.53
	0.6	1775	902	309	0.55
	0.7	1735	932	322	0.57
	0.8	1690	963	328	0.59

# APPENDIX A BLOWER PERFORMANCE TABLES - HP

DFH0483W / DFH0484W / DFH0487W DOWNSHOT					
TAP	STATIC	AIRFLOW (CFM)	RPM	WATTS	BHP
T1	0.8	1353	961	270	0.48
	0.9	1304	992	279	0.50
	1	1255	1023	287	0.51
	1.1	1202	1055	295	0.53
	1.2	1146	1087	303	0.54
	1.3	1099	1114	307	0.56
	1.4	1045	1139	317	0.57
	1.5	998	1164	323	0.58
	1.6	974	1182	315	0.59
	1.7	908	1217	334	0.61
1.8	870	1238	335	0.62	
T2	0.8	1804	1052	425	0.76
	0.9	1763	1079	436	0.78
	1	1722	1107	446	0.80
	1.1	1674	1133	459	0.82
	1.2	1632	1161	471	0.84
	1.3	1589	1189	478	0.86
	1.4	1541	1215	489	0.88
	1.5	1497	1241	498	0.89
	1.6	1447	1265	508	0.91
	1.7	1405	1287	516	0.93
1.8	1364	1310	523	0.94	
T3	0.8	1678	1024	374	0.67
	0.9	1635	1053	384	0.69
	1	1591	1081	394	0.70
	1.1	1541	1109	405	0.72
	1.2	1495	1139	417	0.74
	1.3	1450	1166	423	0.76
	1.4	1400	1192	433	0.78
	1.5	1354	1218	441	0.79
	1.6	1308	1241	448	0.81
	1.7	1261	1267	457	0.82
1.8	1220	1289	462	0.84	
T4	0.8	1775	1045	412	0.74
	0.9	1733	1073	423	0.76
	1	1691	1101	433	0.77
	1.1	1643	1127	446	0.79
	1.2	1600	1156	458	0.81
	1.3	1556	1183	465	0.83
	1.4	1508	1209	475	0.85
	1.5	1463	1235	484	0.87
	1.6	1414	1259	493	0.89
	1.7	1371	1282	501	0.90
1.8	1329	1305	508	0.92	
T5	0.8	1856	1064	449	0.80
	0.9	1815	1091	460	0.82
	1	1775	1117	471	0.84
	1.1	1730	1144	483	0.86
	1.2	1689	1171	496	0.88
	1.3	1646	1198	503	0.90
	1.4	1600	1224	514	0.92
	1.5	1556	1250	524	0.94
	1.6	1506	1274	535	0.96
	1.7	1466	1296	542	0.97
1.8	1425	1319	550	0.99	

DFH0483W / DFH0484W / DFH0487W DOWNSHOT					
TAP	STATIC	AIRFLOW (CFM)	RPM	WATTS	BHP
T1'	0.8	1552	999	329	0.59
	0.9	1506	1028	339	0.60
	1	1460	1058	348	0.62
	1.1	1409	1087	359	0.64
	1.2	1359	1118	369	0.66
	1.3	1313	1145	374	0.67
	1.4	1260	1171	384	0.69
	1.5	1214	1197	391	0.70
	1.6	1175	1218	393	0.72
	1.7	1121	1247	405	0.73
1.8	1081	1269	409	0.75	
T2'	0.8	1998	1101	525	0.93
	0.9	1960	1125	536	0.95
	1	1922	1150	548	0.97
	1.1	1883	1175	561	0.99
	1.2	1846	1200	574	1.02
	1.3	1807	1226	582	1.04
	1.4	1766	1251	594	1.06
	1.5	1725	1276	606	1.08
	1.6	1679	1301	618	1.10
	1.7	1641	1322	626	1.12
1.8	1601	1346	637	1.14	
T3'	0.8	1877	1069	459	0.82
	0.9	1837	1096	470	0.84
	1	1797	1122	481	0.86
	1.1	1752	1148	494	0.88
	1.2	1712	1175	506	0.90
	1.3	1670	1202	514	0.92
	1.4	1624	1228	525	0.94
	1.5	1581	1254	535	0.96
	1.6	1531	1278	546	0.98
	1.7	1491	1300	554	0.99
1.8	1450	1323	562	1.01	
T4'	0.8	1935	1084	489	0.87
	0.9	1896	1109	500	0.89
	1	1857	1135	511	0.91
	1.1	1814	1160	524	0.93
	1.2	1775	1187	537	0.95
	1.3	1735	1213	545	0.97
	1.4	1691	1239	556	0.99
	1.5	1649	1264	567	1.01
	1.6	1600	1289	579	1.03
	1.7	1561	1310	586	1.05
1.8	1521	1334	596	1.07	
T5'	0.8	1997	1101	525	0.93
	0.9	1959	1125	536	0.95
	1	1922	1150	547	0.97
	1.1	1882	1174	560	0.99
	1.2	1845	1200	573	1.01
	1.3	1806	1226	581	1.04
	1.4	1765	1251	594	1.06
	1.5	1724	1276	606	1.08
	1.6	1678	1300	617	1.10
	1.7	1640	1322	626	1.12
1.8	1600	1346	636	1.14	

# APPENDIX A BLOWER PERFORMANCE TABLES - HP

DFH0483W / DFH0484W / DFH0487W HORIZONTAL					
TAP	STATIC	AIRFLOW (CFM)	RPM	WATTS	BHP
T1	0.8	1438	926	257	0.46
	0.9	1384	962	266	0.48
	1	1332	999	275	0.50
	1.1	1282	1034	283	0.52
	1.2	1223	1069	292	0.53
	1.3	1170	1101	303	0.55
	1.4	1123	1130	311	0.56
	1.5	1067	1157	317	0.58
	1.6	1021	1181	322	0.59
	1.7	973	1201	329	0.60
1.8	943	1222	332	0.61	
T2	0.8	1903	1001	405	0.72
	0.9	1863	1030	415	0.74
	1	1819	1057	424	0.76
	1.1	1774	1086	436	0.78
	1.2	1726	1117	449	0.81
	1.3	1677	1148	462	0.83
	1.4	1627	1178	472	0.85
	1.5	1572	1211	483	0.87
	1.6	1528	1240	490	0.89
	1.7	1485	1271	502	0.92
1.8	1431	1295	515	0.93	
T3	0.8	1772	976	356	0.64
	0.9	1729	1008	367	0.66
	1	1682	1038	375	0.68
	1.1	1634	1070	386	0.70
	1.2	1582	1103	398	0.72
	1.3	1532	1135	410	0.74
	1.4	1480	1166	420	0.76
	1.5	1423	1197	430	0.78
	1.6	1376	1225	436	0.80
	1.7	1335	1251	446	0.82
1.8	1284	1271	457	0.83	
T4	0.8	1872	995	393	0.70
	0.9	1832	1024	403	0.72
	1	1787	1052	412	0.74
	1.1	1741	1082	424	0.76
	1.2	1692	1114	436	0.78
	1.3	1643	1145	449	0.81
	1.4	1592	1175	460	0.83
	1.5	1537	1208	470	0.85
	1.6	1491	1237	477	0.87
	1.7	1450	1266	488	0.89
1.8	1395	1289	501	0.91	
T5	0.8	1957	1012	428	0.76
	0.9	1917	1040	438	0.78
	1	1876	1065	446	0.80
	1.1	1832	1093	459	0.82
	1.2	1785	1124	472	0.84
	1.3	1738	1154	485	0.87
	1.4	1689	1183	496	0.89
	1.5	1636	1216	507	0.91
	1.6	1592	1246	515	0.94
	1.7	1549	1278	527	0.96
1.8	1494	1304	541	0.98	

DFH0483W / DFH0484W / DFH0487W HORIZONTAL					
TAP	STATIC	AIRFLOW (CFM)	RPM	WATTS	BHP
T1'	0.8	1642	955	313	0.56
	0.9	1595	989	324	0.58
	1	1546	1022	332	0.60
	1.1	1496	1056	343	0.62
	1.2	1441	1090	353	0.64
	1.3	1390	1123	364	0.66
	1.4	1339	1153	374	0.68
	1.5	1281	1183	383	0.70
	1.6	1234	1209	388	0.71
	1.7	1191	1232	397	0.72
1.8	1147	1249	405	0.73	
T2'	0.8	2106	1047	501	0.89
	0.9	2068	1073	509	0.91
	1	2032	1095	517	0.93
	1.1	1994	1120	531	0.95
	1.2	1953	1147	545	0.97
	1.3	1909	1174	561	0.99
	1.4	1867	1201	569	1.02
	1.5	1821	1233	582	1.04
	1.6	1784	1262	591	1.07
	1.7	1734	1295	607	1.10
1.8	1682	1326	621	1.12	
T3'	0.8	1979	1017	438	0.78
	0.9	1940	1044	447	0.80
	1	1899	1069	456	0.82
	1.1	1856	1097	468	0.84
	1.2	1810	1127	482	0.86
	1.3	1763	1156	496	0.88
	1.4	1715	1185	506	0.91
	1.5	1662	1219	517	0.93
	1.6	1620	1249	525	0.95
	1.7	1575	1281	538	0.98
1.8	1520	1308	552	1.00	
T4'	0.8	2039	1031	466	0.83
	0.9	2001	1057	475	0.85
	1	1962	1080	484	0.87
	1.1	1921	1107	497	0.89
	1.2	1878	1136	510	0.91
	1.3	1832	1164	525	0.93
	1.4	1786	1192	534	0.96
	1.5	1736	1225	547	0.98
	1.6	1696	1255	555	1.01
	1.7	1650	1288	569	1.03
1.8	1595	1318	583	1.06	
T5'	0.8	2105	1047	501	0.89
	0.9	2067	1073	508	0.91
	1	2031	1095	517	0.93
	1.1	1993	1120	530	0.95
	1.2	1952	1147	544	0.97
	1.3	1909	1174	560	0.99
	1.4	1866	1201	568	1.02
	1.5	1820	1233	582	1.04
	1.6	1783	1262	591	1.07
	1.7	1733	1295	607	1.10
1.8	1681	1326	621	1.12	

# APPENDIX A BLOWER PERFORMANCE TABLES - HP

DFH0601D / DFH0603D DOWNSHOT					
TAP	STATIC	AIRFLOW (CFM)	RPM	WATTS	BHP
T1	0.1	1551	695	285	0.33
	0.2	1502	725	296	0.35
	0.3	1452	758	308	0.36
	0.4	1403	792	319	0.38
	0.5	1361	826	331	0.39
	0.6	1303	862	343	0.41
	0.7	1252	896	355	0.43
	0.8	1203	928	366	0.44
T2	0.1	1936	833	495	0.60
	0.2	1900	853	505	0.61
	0.3	1860	877	518	0.63
	0.4	1818	904	532	0.65
	0.5	1783	930	546	0.67
	0.6	1740	958	561	0.69
	0.7	1699	986	576	0.71
	0.8	1658	1014	590	0.73
T3	0.1	1906	822	475	0.57
	0.2	1869	843	485	0.59
	0.3	1828	868	498	0.61
	0.4	1786	895	512	0.63
	0.5	1750	922	526	0.64
	0.6	1707	950	541	0.66
	0.7	1665	978	555	0.68
	0.8	1623	1006	569	0.70
T4	0.1	2174	923	683	0.84
	0.2	2148	938	692	0.85
	0.3	2113	957	705	0.87
	0.4	2074	981	721	0.89
	0.5	2039	1003	736	0.91
	0.6	2000	1029	753	0.93
	0.7	1962	1055	770	0.96
	0.8	1926	1080	786	0.98
T5	0.1	2243	950	751	0.92
	0.2	2220	964	761	0.93
	0.3	2187	982	773	0.95
	0.4	2148	1005	789	0.97
	0.5	2112	1026	804	0.99
	0.6	2072	1053	822	1.02
	0.7	2035	1078	840	1.05
	0.8	2000	1102	857	1.07

DFH0601D / DFH0603D HORIZONTAL					
TAP	STATIC	AIRFLOW (CFM)	RPM	WATTS	BHP
T1	0.1	1586	668	276	0.32
	0.2	1529	705	289	0.34
	0.3	1474	735	302	0.35
	0.4	1426	776	314	0.37
	0.5	1376	811	325	0.39
	0.6	1324	848	338	0.41
	0.7	1268	882	350	0.42
	0.8	1217	917	362	0.44
T2	0.1	1988	794	475	0.57
	0.2	1938	824	489	0.59
	0.3	1889	839	505	0.60
	0.4	1847	882	520	0.63
	0.5	1808	909	534	0.65
	0.6	1771	936	548	0.67
	0.7	1733	964	563	0.69
	0.8	1690	994	579	0.72
T3	0.1	1956	784	456	0.55
	0.2	1906	815	471	0.57
	0.3	1856	831	486	0.58
	0.4	1814	874	501	0.61
	0.5	1774	901	515	0.63
	0.6	1736	929	529	0.65
	0.7	1698	957	543	0.67
	0.8	1655	987	559	0.69
T4	0.1	2244	873	651	0.79
	0.2	2198	897	665	0.81
	0.3	2154	900	682	0.82
	0.4	2113	950	699	0.86
	0.5	2073	977	717	0.89
	0.6	2038	1000	733	0.91
	0.7	2002	1026	749	0.93
	0.8	1966	1051	766	0.95
T5	0.1	2319	895	714	0.87
	0.2	2275	918	728	0.89
	0.3	2232	917	745	0.89
	0.4	2191	970	763	0.94
	0.5	2149	998	783	0.97
	0.6	2114	1021	799	0.99
	0.7	2076	1046	816	1.01
	0.8	2041	1070	833	1.04



# APPENDIX A BLOWER PERFORMANCE TABLES - HP

DFH0604D / DFH0607D DOWNSHOT					
TAP	STATIC	AIRFLOW (CFM)	RPM	WATTS	BHP
T1/ T1'	0.1	1589	684	174	0.30
	0.2	1515	721	182	0.31
	0.3	1475	759	191	0.33
	0.4	1425	795	199	0.34
	0.5	1374	831	208	0.36
	0.6	1321	866	216	0.38
	0.7	1250	900	222	0.39
	0.8	1213	934	230	0.41
T2/ T2'	0.1	1909	795	275	0.48
	0.2	1865	823	285	0.50
	0.3	1814	854	293	0.52
	0.4	1769	884	304	0.54
	0.5	1723	915	315	0.56
	0.6	1679	946	324	0.57
	0.7	1633	976	334	0.59
	0.8	1591	1006	342	0.61
T3/ T3'	0.1	1933	804	285	0.50
	0.2	1892	832	295	0.52
	0.3	1840	862	303	0.54
	0.4	1795	892	314	0.55
	0.5	1750	923	325	0.57
	0.6	1706	952	334	0.59
	0.7	1663	982	344	0.61
	0.8	1620	1012	353	0.63
T4/ T4'	0.1	2208	899	414	0.72
	0.2	2184	924	424	0.74
	0.3	2127	949	432	0.76
	0.4	2084	976	445	0.78
	0.5	2041	1003	458	0.81
	0.6	2000	1030	467	0.83
	0.7	1977	1057	479	0.85
	0.8	1920	1085	490	0.87
T5/ T5'	0.1	2284	923	456	0.79
	0.2	2255	947	465	0.81
	0.3	2205	972	473	0.83
	0.4	2163	998	487	0.86
	0.5	2121	1025	501	0.88
	0.6	2080	1052	509	0.90
	0.7	2052	1078	521	0.92
	0.8	2000	1105	534	0.95

DFH0604D / DFH0607D HORIZONTAL					
TAP	STATIC	AIRFLOW (CFM)	RPM	WATTS	BHP
T1/ T1'	0.1	1612	664	162	0.29
	0.2	1576	692	169	0.30
	0.3	1531	725	176	0.31
	0.4	1485	760	186	0.33
	0.5	1437	795	194	0.35
	0.6	1380	834	202	0.36
	0.7	1397	870	210	0.38
	0.8	1277	906	219	0.39
T2/ T2'	0.1	1946	768	263	0.47
	0.2	1917	790	271	0.48
	0.3	1881	816	279	0.50
	0.4	1843	843	290	0.51
	0.5	1803	872	298	0.53
	0.6	1766	900	306	0.55
	0.7	1794	930	318	0.56
	0.8	1680	962	325	0.58
T3/ T3'	0.1	1972	777	273	0.48
	0.2	1944	799	281	0.50
	0.3	1908	824	289	0.51
	0.4	1871	851	300	0.53
	0.5	1832	879	308	0.55
	0.6	1796	906	316	0.56
	0.7	1825	935	329	0.58
	0.8	1712	967	335	0.60
T4/ T4'	0.1	2264	873	401	0.70
	0.2	2237	893	410	0.72
	0.3	2207	914	418	0.74
	0.4	2176	936	426	0.75
	0.5	2143	959	434	0.77
	0.6	2114	981	445	0.79
	0.7	2147	1006	459	0.81
	0.8	2042	1032	468	0.83
T5/ T5'	0.1	2337	899	441	0.77
	0.2	2310	919	451	0.79
	0.3	2281	939	459	0.80
	0.4	2251	960	466	0.82
	0.5	2220	982	474	0.84
	0.6	2190	1003	486	0.86
	0.7	2224	1028	499	0.88
	0.8	2121	1052	510	0.90

# APPENDIX A BLOWER PERFORMANCE TABLES - HP

DFH0603W / DFH0604W / DFH0607W DOWNSHOT					
TAP	STATIC	AIRFLOW (CFM)	RPM	WATTS	BHP
T1	0.8	1584	1020	358	0.58
	0.9	1540	1053	366	0.60
	1	1496	1085	375	0.61
	1.1	1455	1112	383	0.63
	1.2	1415	1140	391	0.65
	1.3	1374	1170	402	0.66
	1.4	1338	1198	421	0.68
	1.5	1302	1221	428	0.69
	1.6	1255	1243	443	0.70
	1.7	1231	1268	452	0.72
T2	0.8	2038	1121	556	0.92
	0.9	2000	1151	565	0.95
	1	1961	1180	573	0.97
	1.1	1924	1207	585	0.99
	1.2	1887	1233	596	1.01
	1.3	1850	1260	611	1.04
	1.4	1814	1284	623	1.06
	1.5	1777	1309	636	1.08
	1.6	1743	1334	656	1.10
	1.7	1703	1354	665	1.11
T3	0.8	1941	1098	505	0.84
	0.9	1902	1128	513	0.86
	1	1862	1158	522	0.88
	1.1	1824	1185	533	0.90
	1.2	1786	1212	543	0.92
	1.3	1750	1239	558	0.94
	1.4	1714	1265	571	0.96
	1.5	1677	1289	583	0.98
	1.6	1640	1313	603	1.00
	1.7	1605	1334	611	1.02
T4	0.8	2148	1150	620	1.03
	0.9	2111	1178	630	1.05
	1	2074	1206	639	1.08
	1.1	2037	1232	651	1.10
	1.2	2000	1258	663	1.13
	1.3	1963	1284	679	1.15
	1.4	1926	1307	690	1.17
	1.5	1889	1332	704	1.19
	1.6	1858	1357	723	1.21
	1.7	1812	1378	732	1.23
T5	0.8	2220	1170	667	1.11
	0.9	2184	1197	677	1.13
	1	2148	1224	687	1.16
	1.1	2111	1249	700	1.18
	1.2	2075	1275	712	1.21
	1.3	2037	1300	729	1.23
	1.4	2000	1323	739	1.25
	1.5	1963	1348	754	1.28
	1.6	1934	1373	771	1.30
	1.7	1883	1394	781	1.32
1.8	1829	1415	793	1.34	

DFH0603W / DFH0604W / DFH0607W DOWNSHOT					
TAP	STATIC	AIRFLOW (CFM)	RPM	WATTS	BHP
T1'	0.8	1730	1050	411	0.67
	0.9	1687	1082	419	0.69
	1	1645	1113	428	0.71
	1.1	1605	1141	437	0.73
	1.2	1566	1168	446	0.75
	1.3	1529	1197	459	0.77
	1.4	1492	1224	475	0.78
	1.5	1456	1248	484	0.80
	1.6	1412	1271	502	0.81
	1.7	1386	1294	510	0.83
T2'	0.8	2259	1181	694	1.15
	0.9	2224	1207	705	1.18
	1	2188	1233	715	1.20
	1.1	2152	1259	728	1.23
	1.2	2116	1284	741	1.25
	1.3	2077	1309	757	1.28
	1.4	2040	1331	767	1.30
	1.5	2003	1356	782	1.32
	1.6	1974	1381	799	1.35
	1.7	1921	1403	809	1.37
T3'	0.8	2136	1147	613	1.02
	0.9	2099	1175	622	1.04
	1	2062	1203	632	1.07
	1.1	2025	1229	644	1.09
	1.2	1988	1256	656	1.11
	1.3	1951	1281	672	1.14
	1.4	1914	1305	683	1.16
	1.5	1877	1330	697	1.18
	1.6	1846	1355	716	1.20
	1.7	1801	1375	725	1.22
T4'	0.8	2284	1188	712	1.18
	0.9	2249	1214	723	1.21
	1	2214	1240	733	1.23
	1.1	2178	1265	746	1.26
	1.2	2142	1290	760	1.28
	1.3	2103	1314	776	1.31
	1.4	2066	1337	786	1.33
	1.5	2028	1362	801	1.35
	1.6	2000	1387	817	1.38
	1.7	1946	1409	828	1.40
T5'	0.8	2390	1219	794	1.31
	0.9	2357	1243	806	1.34
	1	2323	1267	817	1.36
	1.1	2287	1291	831	1.39
	1.2	2252	1315	845	1.42
	1.3	2211	1339	862	1.44
	1.4	2173	1360	871	1.46
	1.5	2135	1385	887	1.49
	1.6	2107	1410	899	1.52
	1.7	2049	1433	912	1.54
1.8	2000	1456	925	1.57	

# APPENDIX A BLOWER PERFORMANCE TABLES - HP

DFH0603W / DFH0604W / DFH0607W HORIZONTAL					
TAP	STATIC	AIRFLOW (CFM)	RPM	WATTS	BHP
T1	0.8	1674	978	350	0.55
	0.9	1630	1011	363	0.57
	1	1587	1043	373	0.59
	1.1	1535	1074	384	0.61
	1.2	1499	1105	395	0.63
	1.3	1458	1134	407	0.64
	1.4	1447	1172	435	0.66
	1.5	1408	1198	454	0.68
	1.6	1370	1221	459	0.69
	1.7	1331	1247	465	0.71
1.8	1293	1271	474	0.72	
T2	0.8	2150	1065	532	0.88
	0.9	2115	1093	548	0.90
	1	2080	1121	562	0.92
	1.1	2043	1149	573	0.94
	1.2	2003	1176	586	0.97
	1.3	1967	1203	602	0.99
	1.4	1904	1227	610	1.01
	1.5	1861	1255	620	1.03
	1.6	1822	1281	635	1.05
	1.7	1782	1305	646	1.07
1.8	1742	1331	660	1.09	
T3	0.8	2050	1045	487	0.80
	0.9	2014	1074	502	0.82
	1	1977	1103	516	0.84
	1.1	1935	1132	527	0.86
	1.2	1897	1161	540	0.88
	1.3	1860	1188	555	0.90
	1.4	1800	1214	565	0.92
	1.5	1757	1242	576	0.94
	1.6	1717	1268	588	0.96
	1.7	1677	1292	599	0.98
1.8	1636	1318	613	1.00	
T4	0.8	2262	1090	589	0.98
	0.9	2229	1116	605	1.00
	1	2195	1143	620	1.02
	1.1	2165	1169	631	1.05
	1.2	2121	1195	644	1.07
	1.3	2087	1221	660	1.09
	1.4	2026	1243	667	1.11
	1.5	1984	1271	679	1.14
	1.6	1945	1297	695	1.16
	1.7	1907	1320	706	1.18
1.8	1868	1347	720	1.21	
T5	0.8	2335	1107	631	1.05
	0.9	2303	1132	647	1.07
	1	2270	1157	663	1.10
	1.1	2244	1183	673	1.12
	1.2	2199	1207	686	1.14
	1.3	2165	1233	702	1.17
	1.4	2109	1255	709	1.19
	1.5	2068	1282	722	1.21
	1.6	2030	1307	739	1.24
	1.7	1993	1331	751	1.26
1.8	1955	1357	764	1.28	

DFH0603W / DFH0604W / DFH0607W HORIZONTAL					
TAP	STATIC	AIRFLOW (CFM)	RPM	WATTS	BHP
T1'	0.8	1829	1004	401	0.64
	0.9	1788	1036	415	0.66
	1	1747	1066	427	0.68
	1.1	1698	1097	438	0.70
	1.2	1662	1127	450	0.72
	1.3	1623	1156	463	0.74
	1.4	1585	1188	483	0.76
	1.5	1544	1215	497	0.78
	1.6	1504	1240	505	0.79
	1.7	1464	1265	513	0.81
1.8	1425	1290	525	0.83	
T2'	0.8	2375	1116	655	1.09
	0.9	2343	1141	671	1.11
	1	2311	1166	687	1.14
	1.1	2288	1190	698	1.16
	1.2	2241	1214	711	1.18
	1.3	2208	1240	727	1.21
	1.4	2154	1261	734	1.23
	1.5	2114	1288	748	1.26
	1.6	2077	1313	766	1.28
	1.7	2041	1337	777	1.30
1.8	2003	1363	790	1.33	
T3'	0.8	2250	1087	583	0.96
	0.9	2217	1114	599	0.99
	1	2183	1140	614	1.01
	1.1	2152	1167	625	1.03
	1.2	2109	1193	638	1.06
	1.3	2074	1219	654	1.08
	1.4	2013	1241	661	1.10
	1.5	1971	1269	672	1.13
	1.6	1932	1295	688	1.15
	1.7	1894	1319	700	1.17
1.8	1854	1345	713	1.19	
T4'	0.8	2400	1123	671	1.12
	0.9	2368	1147	687	1.14
	1	2336	1171	704	1.16
	1.1	2315	1195	714	1.19
	1.2	2268	1219	727	1.21
	1.3	2234	1244	743	1.24
	1.4	2183	1265	750	1.26
	1.5	2144	1292	765	1.28
	1.6	2107	1317	783	1.31
	1.7	2071	1340	794	1.33
1.8	2034	1366	807	1.36	
T5'	0.8	2505	1150	745	1.24
	0.9	2476	1172	761	1.26
	1	2445	1195	778	1.29
	1.1	2430	1217	788	1.31
	1.2	2380	1239	801	1.33
	1.3	2348	1263	817	1.36
	1.4	2309	1285	826	1.38
	1.5	2271	1310	843	1.41
	1.6	2237	1334	862	1.44
	1.7	2203	1357	874	1.46
1.8	2167	1382	885	1.49	

# APPENDIX A BLOWER PERFORMANCE TABLES - HP

DFH0723D / DFH0724D / DFH0727D DOWNSHOT					
TAP	STATIC	AIRFLOW (CFM)	RPM	WATTS	BHP
T1	0.1	1827	259	771	0.14
	0.2	1786	266	793	0.15
	0.3	1746	273	817	0.15
	0.4	1696	281	844	0.15
	0.5	1650	288	875	0.16
	0.6	1602	298	906	0.16
	0.7	1554	307	937	0.17
	0.8	1505	360	969	0.20
T2	0.1	1678	208	718	0.10
	0.2	1633	214	743	0.10
	0.3	1586	222	772	0.10
	0.4	1533	229	803	0.11
	0.5	1481	236	837	0.11
	0.6	1429	245	871	0.11
	0.7	1375	254	905	0.12
	0.8	1323	305	938	0.14
T3	0.1	2418	556	980	0.53
	0.2	2377	566	998	0.54
	0.3	2342	574	1016	0.55
	0.4	2315	589	1035	0.56
	0.5	2287	598	1050	0.57
	0.6	2257	606	1072	0.58
	0.7	2220	616	1096	0.59
	0.8	2178	673	1123	0.64
T4	0.1	2052	349	850	0.24
	0.2	2015	357	869	0.24
	0.3	1982	364	887	0.25
	0.4	1939	373	909	0.25
	0.5	1900	381	936	0.26
	0.6	1859	392	962	0.27
	0.7	1818	402	990	0.27
	0.8	1773	455	1019	0.31
T5	0.1	2246	446	918	0.36
	0.2	2209	455	936	0.37
	0.3	2177	462	952	0.37
	0.4	2142	473	972	0.38
	0.5	2109	482	993	0.39
	0.6	2073	492	1016	0.40
	0.7	2036	502	1042	0.41
	0.8	1994	557	1070	0.45

DFH0723D / DFH0724D / DFH0727D HORIZONTAL					
TAP	STATIC	AIRFLOW (CFM)	RPM	WATTS	BHP
T1	0.1	1879	741	246	0.40
	0.2	1841	763	252	0.42
	0.3	1807	785	258	0.43
	0.4	1767	807	264	0.44
	0.5	1732	833	272	0.45
	0.6	1687	863	282	0.47
	0.7	1640	893	290	0.49
	0.8	1594	924	298	0.50
T2	0.1	1724	691	199	0.32
	0.2	1685	714	205	0.33
	0.3	1646	740	210	0.35
	0.4	1600	766	217	0.36
	0.5	1558	797	225	0.37
	0.6	1508	830	235	0.39
	0.7	1454	864	242	0.40
	0.8	1403	897	250	0.42
T3	0.1	2494	934	539	0.89
	0.2	2459	955	552	0.91
	0.3	2424	975	562	0.93
	0.4	2428	993	571	0.95
	0.5	2371	1010	580	0.96
	0.6	2346	1025	586	0.97
	0.7	2313	1043	595	0.99
	0.8	2281	1064	605	1.01
T4	0.1	2112	816	331	0.55
	0.2	2077	836	338	0.57
	0.3	2047	855	345	0.58
	0.4	2019	872	352	0.59
	0.5	1987	893	360	0.60
	0.6	1950	917	369	0.62
	0.7	1912	942	379	0.64
	0.8	1871	969	388	0.66
T5	0.1	2314	879	426	0.71
	0.2	2279	899	436	0.73
	0.3	2249	917	444	0.74
	0.4	2235	933	451	0.75
	0.5	2197	950	460	0.77
	0.6	2166	969	468	0.78
	0.7	2133	991	477	0.80
	0.8	2097	1014	487	0.82

# APPENDIX A BLOWER PERFORMANCE TABLES - HP

DFH0723W / DFH0724W / DFH0727W DOWNSHOT					
TAP	STATIC	AIRFLOW (CFM)	RPM	WATTS	BHP
T1	0.8	1845	1097	472	0.89
	0.9	1800	1126	485	0.91
	1	1762	1151	492	0.93
	1.1	1729	1177	510	0.96
	1.2	1690	1202	518	0.98
	1.3	1650	1227	527	1.00
	1.4	1612	1251	538	1.02
	1.5	1574	1274	549	1.03
	1.6	1543	1297	560	1.05
T2	0.8	1760	1076	433	0.82
	0.9	1715	1105	445	0.84
	1	1675	1131	451	0.86
	1.1	1641	1158	470	0.88
	1.2	1600	1184	478	0.90
	1.3	1558	1209	486	0.92
	1.4	1519	1233	497	0.94
	1.5	1479	1257	507	0.96
	1.6	1446	1280	518	0.98
T3	0.8	2527	1282	919	1.66
	0.9	2491	1304	935	1.68
	1	2462	1323	946	1.71
	1.1	2434	1341	963	1.73
	1.2	2403	1362	974	1.76
	1.3	2371	1383	985	1.79
	1.4	2339	1405	999	1.81
	1.5	2306	1426	1013	1.84
	1.6	2248	1445	1024	1.87
T4	0.8	2078	1157	593	1.11
	0.9	2035	1184	608	1.14
	1	2000	1207	617	1.16
	1.1	1971	1230	635	1.18
	1.2	1935	1254	644	1.20
	1.3	1900	1278	653	1.23
	1.4	1866	1300	665	1.25
	1.5	1831	1322	678	1.27
	1.6	1802	1344	689	1.29
T5	0.8	2588	1300	977	1.75
	0.9	2554	1321	992	1.77
	1	2524	1339	1004	1.80
	1.1	2496	1357	1020	1.82
	1.2	2464	1378	1032	1.85
	1.3	2433	1398	1043	1.88
	1.4	2400	1420	1057	1.91
	1.5	2367	1442	1070	1.94
	1.6	2300	1461	1082	1.96

DFH0723W / DFH0724W / DFH0727W DOWNSHOT					
TAP	STATIC	AIRFLOW (CFM)	RPM	WATTS	BHP
T1'	0.8	2007	1139	554	1.04
	0.9	1963	1166	568	1.07
	1	1928	1190	576	1.09
	1.1	1898	1214	594	1.11
	1.2	1861	1238	603	1.13
	1.3	1824	1262	612	1.15
	1.4	1789	1285	624	1.17
	1.5	1754	1307	636	1.19
	1.6	1725	1330	648	1.21
T2'	0.8	1926	1118	511	0.96
	0.9	1882	1146	525	0.99
	1	1845	1170	532	1.01
	1.1	1814	1195	551	1.03
	1.2	1775	1220	559	1.05
	1.3	1737	1244	568	1.07
	1.4	1701	1267	580	1.09
	1.5	1665	1290	591	1.11
	1.6	1635	1313	602	1.13
T3'	0.8	2745	1350	1148	2.01
	0.9	2716	1367	1161	2.04
	1	2687	1384	1175	2.06
	1.1	2656	1401	1189	2.09
	1.2	2623	1420	1202	2.12
	1.3	2590	1440	1215	2.15
	1.4	2555	1462	1228	2.18
	1.5	2520	1485	1241	2.21
	1.6	2424	1502	1251	2.24
T4'	0.8	2236	1199	692	1.28
	0.9	2195	1225	707	1.31
	1	2163	1246	717	1.33
	1.1	2135	1268	735	1.35
	1.2	2102	1291	745	1.38
	1.3	2068	1313	754	1.40
	1.4	2036	1335	768	1.43
	1.5	2003	1357	781	1.45
	1.6	1968	1378	792	1.47
T5'	0.8	2785	1364	1197	2.09
	0.9	2757	1379	1210	2.11
	1	2729	1396	1224	2.14
	1.1	2696	1412	1238	2.16
	1.2	2663	1432	1252	2.19
	1.3	2629	1451	1265	2.22
	1.4	2593	1474	1278	2.26
	1.5	2557	1496	1290	2.29
	1.6	2451	1514	1300	2.32

# APPENDIX A BLOWER PERFORMANCE TABLES - HP

DFH0723W / DFH0724W / DFH0727W HORIZONTAL					
TAP	STATIC	AIRFLOW (CFM)	RPM	WATTS	BHP
T1	0.8	1967	1018	440	0.85
	0.9	1929	1043	450	0.87
	1	1886	1072	462	0.89
	1.1	1843	1100	474	0.92
	1.2	1798	1134	492	0.95
	1.3	1754	1168	510	0.95
	1.4	1707	1200	521	0.97
	1.5	1661	1232	532	1.00
	1.6	1614	1260	536	1.02
T2	0.8	1879	999	404	0.76
	0.9	1838	1027	415	0.78
	1	1792	1057	427	0.80
	1.1	1746	1087	439	0.83
	1.2	1701	1121	457	0.85
	1.3	1656	1156	477	0.88
	1.4	1607	1188	487	0.90
	1.5	1557	1221	498	0.93
	1.6	1511	1249	495	0.95
T3	0.8	2658	1202	863	1.55
	0.9	2638	1215	870	1.57
	1	2614	1231	879	1.59
	1.1	2590	1247	888	1.61
	1.2	2557	1264	901	1.63
	1.3	2524	1280	912	1.65
	1.4	2494	1300	926	1.68
	1.5	2464	1319	940	1.70
	1.6	2426	1344	964	1.74
T4	0.8	2206	1073	555	1.03
	0.9	2176	1094	563	1.05
	1	2141	1118	574	1.07
	1.1	2105	1142	586	1.10
	1.2	2063	1172	602	1.12
	1.3	2020	1202	617	1.15
	1.4	1980	1231	630	1.18
	1.5	1941	1259	642	1.21
	1.6	1895	1288	659	1.24
T5	0.8	2718	1222	918	1.64
	0.9	2699	1233	925	1.66
	1	2675	1248	933	1.68
	1.1	2652	1264	942	1.70
	1.2	2621	1279	953	1.72
	1.3	2591	1293	964	1.74
	1.4	2561	1312	979	1.76
	1.5	2532	1330	993	1.79
	1.6	2496	1354	1015	1.82

DFH0723W / DFH0724W / DFH0727W HORIZONTAL					
TAP	STATIC	AIRFLOW (CFM)	RPM	WATTS	BHP
T1'	0.8	2134	1056	517	0.96
	0.9	2101	1078	526	0.98
	1	2064	1103	538	1.01
	1.1	2026	1129	550	1.03
	1.2	1983	1160	566	1.06
	1.3	1939	1191	582	1.09
	1.4	1898	1221	594	1.12
	1.5	1856	1251	606	1.14
	1.6	1810	1280	619	1.17
T2'	0.8	2051	1036	477	0.89
	0.9	2015	1060	486	0.91
	1	1975	1087	499	0.94
	1.1	1935	1114	511	0.96
	1.2	1891	1147	528	0.99
	1.3	1847	1180	545	1.02
	1.4	1803	1210	556	1.04
	1.5	1759	1241	568	1.07
	1.6	1712	1270	576	1.09
T3'	0.8	2870	1273	1080	1.90
	0.9	2852	1282	1089	1.91
	1	2830	1295	1095	1.93
	1.1	2808	1308	1101	1.95
	1.2	2784	1321	1112	1.97
	1.3	2761	1335	1122	1.99
	1.4	2733	1351	1137	2.01
	1.5	2705	1367	1151	2.04
	1.6	2676	1387	1164	2.07
T4'	0.8	2367	1116	648	1.19
	0.9	2341	1133	655	1.21
	1	2311	1155	666	1.23
	1.1	2280	1176	677	1.26
	1.2	2240	1201	692	1.28
	1.3	2200	1227	706	1.31
	1.4	2164	1252	719	1.34
	1.5	2128	1278	732	1.37
	1.6	2084	1306	754	1.39
T5'	0.8	2908	1286	1128	1.97
	0.9	2890	1295	1137	1.98
	1	2868	1307	1142	2.00
	1.1	2846	1319	1148	2.02
	1.2	2824	1333	1158	2.04
	1.3	2803	1347	1169	2.06
	1.4	2775	1363	1183	2.09
	1.5	2747	1379	1197	2.11
	1.6	2721	1398	1206	2.14



# APPENDIX B ELECTRICAL DATA

Model Number	Electrical Rating	Compressor			Outdoor Fan Motor			Indoor Fan Motor			Optional Electric Heat		Optional Powered Convenience Outlet	Optional Power Exhaust	Power Supply	
		QTY	RLA	LRA	QTY	HP	FLA	Type	HP	FLA	KW*	FLA	FLA	FLA	MCA	MOP
DFC0361D	208/230/1/60	1	16.7	79	1	0.17	0.95	Direct Drive Standard Static	0.75	5.7	-	-	-	-	27.5/27.5	40/40
											-	-	9.6/8.7	-	37.1/36.2	50/50
											-	-	-	1.7/1.5	29.2/29.0	45/45
											-	-	9.6/8.7	1.7/1.5	38.8/37.7	50/50
											-	-	-	-	29.7/33.2	40/40
											3.8/5.0	18.1/20.8	9.6/8.7	-	41.7/44.0	50/50
											-	-	-	1.7/1.5	31.8/35.0	45/45
											-	-	9.6/8.7	1.7/1.5	43.8/45.9	50/50
											-	-	-	-	52.3/59.2	60/60
											7.5/10.0	36.1/41.7	9.6/8.7	-	64.3/70.1	70/80
											-	-	-	1.7/1.5	54.4/61.1	60/70
											-	-	9.6/8.7	1.7/1.5	66.4/72.0	70/80
-	-	-	-	74.8/85.3	80/90											
-	-	9.6/8.7	-	86.8/96.1	90/100											
-	-	-	1.7/1.5	77.0/87.1	80/90											
11.3/15.0	54.2/62.5	9.6/8.7	1.7/1.5	89.0/98.0	90/100											
-	-	-	-	-	-											
DFC0363D	208/230/3/60	1	10.4	73	1	0.17	0.95	Direct Drive Standard Static	0.75	5.7	-	-	-	-	19.7/19.7	30/30
											-	-	9.6/8.7	-	29.3/28.4	35/35
											-	-	-	1.7/1.5	21.4/21.2	30/30
											-	-	9.6/8.7	1.7/1.5	31.0/29.9	40/40
											-	-	-	-	20.2/22.2	30/30
											3.8/5.0	10.4/12.0	9.6/8.7	-	32.2/33.0	35/35
											-	-	-	1.7/1.5	22.3/24.0	30/30
											-	-	9.6/8.7	1.7/1.5	34.3/34.9	40/40
											-	-	-	-	33.2/37.2	35/40
											7.5/10.0	20.8/24.1	9.6/8.7	-	45.2/48.1	50/50
											-	-	-	1.7/1.5	35.3/39.1	40/40
											-	-	9.6/8.7	1.7/1.5	47.3/49.9	50/50
-	-	-	-	46.2/52.2	50/60											
-	-	9.6/8.7	-	58.2/63.1	60/70											
-	-	-	1.7/1.5	48.3/54.1	50/60											
11.3/15.0	31.3/36.1	9.6/8.7	1.7/1.5	60.3/65.0	70/70											
-	-	-	-	-	-											
DFC0363W	208/230/3/60	1	10.4	73	1	0.17	0.95	Direct Drive High Static	1.2	5	-	-	-	-	19.0/19.0	25/25
											-	-	9.6/8.7	-	28.6/27.7	35/35
											-	-	-	1.7/1.5	20.7/20.5	30/30
											-	-	9.6/8.7	1.7/1.5	30.3/29.2	40/35
											-	-	-	-	19.3/21.3	25/25
											3.8/5.0	10.4/12.0	9.6/8.7	-	31.3/32.2	35/35
											-	-	-	1.7/1.5	21.4/23.2	30/30
											-	-	9.6/8.7	1.7/1.5	33.4/34.0	40/35
											-	-	-	-	32.3/36.3	35/40
											7.5/10.0	20.8/24.1	9.6/8.7	-	44.3/47.2	45/50
											-	-	-	1.7/1.5	34.4/38.2	35/40
											-	-	9.6/8.7	1.7/1.5	46.4/49.1	50/50
-	-	-	-	45.3/51.4	50/60											
-	-	9.6/8.7	-	57.3/62.2	60/70											
-	-	-	1.7/1.5	47.5/53.2	50/60											
11.3/15.0	31.3/36.1	9.6/8.7	1.7/1.5	59.5/64.1	60/70											
-	-	-	-	-	-											
DFC0364D	460/3/60	1	5.8	38	1	0.17	0.48	Direct Drive Standard Static	1.2	2.5	-	-	-	-	10.2	15
											-	-	4.3	-	14.5	20
											-	-	-	0.5	10.7	15
											-	-	4.3	0.5	15.0	20
											-	-	-	-	10.6	15
											5	6.01	4.3	-	16.0	20
											-	-	-	0.5	11.3	15
											-	-	4.3	0.5	16.6	20
											-	-	-	-	18.2	20
											10	12	4.3	-	23.5	25
											-	-	-	0.5	18.8	20
											-	-	4.3	0.5	24.2	25
-	-	-	-	25.7	30											
-	-	4.3	-	31.1	35											
-	-	-	0.5	26.3	30											
15	18	4.3	0.5	31.7	35											
-	-	-	-	-	-											
DFC0364W	460/3/60	1	5.8	38	1	0.17	0.48	Direct Drive High Static	1.2	2.5	-	-	-	-	10.2	15
											-	-	4.3	-	14.5	20
											-	-	-	0.5	10.7	15
											-	-	4.3	0.5	15.0	20
											-	-	-	-	10.6	15
											5	6.01	4.3	-	16.0	20
											-	-	-	0.5	11.3	15
											-	-	4.3	0.5	16.6	20
											-	-	-	-	18.2	20
											10	12	4.3	-	23.5	25
											-	-	-	0.5	18.8	20
											-	-	4.3	0.5	24.2	25
-	-	-	-	25.7	30											
-	-	4.3	-	31.1	35											
-	-	-	0.5	26.3	30											
15	18	4.3	0.5	31.7	35											
-	-	-	-	-	-											
DFC0367D	575/3/60	1	3.8	36.5	1	0.17	0.39	Direct Drive Standard Static	1.2	2	-	-	-	-	7.1	15
											-	-	3.5	-	10.6	15
											-	-	-	1.7	7.7	15
											-	-	3.5	1.7	11.2	15
											-	-	-	-	8.5	15
											5	4.81	3.5	-	12.9	15
											-	-	-	1.7	9.3	15
											-	-	3.5	1.7	13.6	15
											-	-	-	-	14.5	15
											10	9.62	3.5	-	18.9	20
											-	-	-	1.7	15.3	20
											-	-	3.5	1.7	19.7	20
-	-	-	-	20.5	25											
-	-	3.5	-	24.9	25											
-	-	-	1.7	21.3	25											
15	14.4	3.5	1.7	25.7	30											

# APPENDIX B ELECTRICAL DATA

Model Number	Electrical Rating	Compressor			Outdoor Fan Motor			Indoor Fan Motor			Optional Electric Heat		Optional Powered Convenience Outlet	Optional Power Exhaust	Power Supply	
		QTY	RLA	LRA	QTY	HP	FLA	Type	HP	FLA	KW*	FLA	FLA	FLA	MCA	MOP
DFC0367W	575/3/60	1	3.8	36.5	1	0.17	0.39	Direct Drive High Static	1.2	2	-	-	-	-	7.1	15
											-	-	3.5	-	10.6	15
											-	-	-	1.7	7.7	15
											-	-	3.5	1.7	11.2	15
											-	-	-	-	8.5	15
											5	4.81	3.5	-	12.9	15
											-	-	-	1.7	9.3	15
											-	-	3.5	1.7	13.6	15
											-	-	-	-	14.5	15
											10	9.62	3.5	-	18.9	20
											-	-	-	1.7	15.3	20
											-	-	3.5	1.7	19.7	20
											-	-	-	-	20.5	25
											15	14.4	3.5	-	24.9	25
											-	-	-	1.7	21.3	25
-	-	3.5	1.7	25.7	30											
DFC0481D	208/230/1/60	1	19.9	109	1	0.33	2	Direct Drive Standard Static	1	6.9	-	-	-	-	33.7/33.7	50/50
											-	-	9.6/8.7	-	43.3/42.4	60/60
											-	-	-	1.7/1.5	35.4/35.2	50/50
											-	-	9.6/8.7	1.7/1.5	45.0/43.9	60/60
											-	-	-	-	33.7/34.7	50/50
											3.8/5.0	18.1/20.8	9.6/8.7	-	43.3/45.5	60/60
											-	-	-	1.7/1.5	35.4/36.5	50/50
											-	-	9.6/8.7	1.7/1.5	45.3/47.4	60/60
											-	-	-	-	53.8/60.7	60/70
											7.5/10.0	36.1/41.7	9.6/8.7	-	65.8/71.6	70/80
											-	-	-	1.7/1.5	55.9/62.6	60/70
											-	-	9.6/8.7	1.7/1.5	67.9/73.5	70/80
											-	-	-	-	76.3/86.8	80/90
											11.3/15.0	54.2/62.5	9.6/8.7	-	88.3/97.6	90/100
											-	-	-	1.7/1.5	78.5/88.6	80/90
-	-	9.6/8.7	1.7/1.5	90.5/99.5	100/100											
-	-	-	-	98.9/113	100/125											
15.0/20.0	72.2/83.3	9.6/8.7	-	111/124	125/125											
-	-	-	1.7/1.5	101/115	110/125											
-	-	9.6/8.7	1.7/1.5	113/126	125/150											
DFC0483D	208/230/3/60	1	13.1	83.1	1	0.33	2	Direct Drive Standard Static	1	6.9	-	-	-	-	25.3/25.3	35/35
											-	-	9.6/8.7	-	34.9/34.0	45/45
											-	-	-	1.7/1.5	27.0/26.8	40/35
											-	-	9.6/8.7	1.7/1.5	36.6/35.5	45/45
											-	-	-	-	25.3/25.3	35/35
											3.8/5.0	10.4/12.0	9.6/8.7	-	34.9/34.5	45/45
											-	-	-	1.7/1.5	27.0/26.8	40/35
											-	-	9.6/8.7	1.7/1.5	36.6/36.4	45/45
											-	-	-	-	34.7/38.7	35/40
											7.5/10.0	20.8/24.1	9.6/8.7	-	46.7/49.6	50/50
											-	-	-	1.7/1.5	36.8/40.6	40/45
											-	-	9.6/8.7	1.7/1.5	48.8/51.4	50/60
											-	-	-	-	47.7/53.7	50/60
											11.3/15.0	31.3/36.1	9.6/8.7	-	59.7/64.6	60/70
											-	-	-	1.7/1.5	49.8/55.6	50/60
-	-	9.6/8.7	1.7/1.5	61.8/66.5	70/70											
-	-	-	-	60.5/68.5	70/70											
15.0/19.9	41.5/47.9	9.6/8.7	-	72.5/79.3	80/80											
-	-	-	1.7/1.5	62.6/70.3	70/80											
-	-	9.6/8.7	1.7/1.5	74.6/81.2	80/90											
DFC0483W	208/230/3/60	1	13.1	83.1	1	0.33	2	Direct Drive High Static	1.2	5	-	-	-	-	23.4/23.4	35/35
											-	-	9.6/8.7	-	33.0/32.1	45/45
											-	-	-	1.7/1.5	25.1/24.9	35/35
											-	-	9.6/8.7	1.7/1.5	34.7/33.6	45/45
											-	-	-	-	23.4/23.4	35/35
											3.8/5.0	10.4/12.0	9.6/8.7	-	33.0/32.2	45/45
											-	-	-	1.7/1.5	25.1/24.9	35/35
											-	-	9.6/8.7	1.7/1.5	34.7/34.0	45/45
											-	-	-	-	32.3/36.3	35/40
											7.5/10.0	20.8/24.1	9.6/8.7	-	44.3/47.2	45/50
											-	-	-	1.7/1.5	34.4/38.2	35/40
											-	-	9.6/8.7	1.7/1.5	46.4/49.1	50/50
											-	-	-	-	45.3/51.4	50/60
											11.3/15.0	31.3/36.1	9.6/8.7	-	57.3/62.2	60/70
											-	-	-	1.7/1.5	47.5/53.2	50/60
-	-	9.6/8.7	1.7/1.5	59.5/64.1	60/70											
-	-	-	-	58.1/66.1	60/70											
15.0/19.9	41.5/47.9	9.6/8.7	-	70.1/77.0	80/80											
-	-	-	1.7/1.5	60.2/68.0	70/70											
-	-	9.6/8.7	1.7/1.5	72.2/78.8	80/80											
DFC0484D	460/3/60	1	6.1	41	1	0.33	0.85	Direct Drive Standard Static	1.2	2.5	-	-	-	-	11.0	15
											-	-	4.3	-	15.3	20
											-	-	-	0.5	11.5	15
											-	-	4.3	0.5	15.8	20
											-	-	-	-	11.0	15
											5	6.01	4.3	-	16.0	20
											-	-	-	0.5	11.5	15
											-	-	4.3	0.5	16.6	20
											-	-	-	-	18.2	20
											10	12	4.3	-	23.5	25
											-	-	-	0.5	18.8	20
											-	-	4.3	0.5	24.2	25
											-	-	-	-	25.7	30
											15	18	4.3	-	31.1	35
											-	-	-	0.5	26.3	30
-	-	4.3	0.5	31.7	35											
-	-	-	-	33.2	35											
20	24.1	4.3	-	38.6	40											
-	-	-	0.5	33.8	35											
-	-	4.3	0.5	39.2	40											
DFC0484W	460/3/60	1	6.1	41	1	0.33	0.85	Direct Drive High Static	1.2	2.5	-	-	-	-	11.0	15
											-	-	4.3	-	15.3	20
											-	-	-	0.5	11.5	15
											-	-	4.3	0.5	15.8	20
											-	-	-	-	11.0	15
											5	6.01	4.3	-	16.0	20
											-	-	-	0.5	11.5	15
											-	-	4.3	0.5	16.6	20
											-	-	-	-	18.2	20
											10	12	4.3	-	23.5	25
											-	-	-	0.5	18.8	20
											-	-	4.3	0.5	24.2	25
											-	-	-	-	25.7	30
											15	18	4.3	-	31.1	35
											-	-	-	0.5	26.3	30
-	-	4.3	0.5	31.7	35											
-	-	-	-	33.2	35											
20	24.1	4.3	-	38.6	40											
-	-	-	0.5	33.8	35											
-	-	4.3	0.5	39.2	40											

# APPENDIX B ELECTRICAL DATA

Model Number	Electrical Rating	Compressor			Outdoor Fan Motor			Indoor Fan Motor			Optional Electric Heat		Optional Powered Convenience Outlet	Optional Power Exhaust	Power Supply			
		QTY	RLA	LRA	QTY	HP	FLA	Type	HP	FLA	KW*	FLA	FLA	FLA	MCA	MOP		
DFC0487D	575/3/60	1	4.4	33	1	0.33	0.67	Direct Drive Standard Static	1.2	2	-	-	-	-	8.1	15		
											-	-	3.5	-	11.6	15		
											-	-	-	-	1.7	-	8.7	15
											-	-	3.5	-	1.7	-	12.2	15
											5	4.81	3.5	-	1.7	-	8.5	15
											-	-	-	-	1.7	-	12.9	15
											-	-	3.5	-	1.7	-	9.3	15
											-	-	-	-	1.7	-	13.6	15
											-	-	-	-	-	-	14.5	15
											10	9.62	3.5	-	1.7	-	18.9	20
											-	-	-	-	1.7	-	15.3	20
											-	-	3.5	-	1.7	-	19.7	20
-	-	-	-	-	-	20.5	25											
15	14.4	3.5	-	1.7	-	24.9	25											
-	-	-	-	1.7	-	21.3	25											
-	-	3.5	-	1.7	-	25.7	30											
-	-	-	-	-	-	26.6	30											
20	19.2	3.5	-	1.7	-	30.9	35											
-	-	-	-	1.7	-	27.3	30											
-	-	3.5	-	1.7	-	31.7	35											
DFC0487W	575/3/60	1	4.4	33	1	0.33	0.67	Direct Drive High Static	1.2	2	-	-	-	-	8.1	15		
											-	-	3.5	-	11.6	15		
											-	-	-	-	1.7	-	8.7	15
											-	-	3.5	-	1.7	-	12.2	15
											5	4.81	3.5	-	1.7	-	8.5	15
											-	-	-	-	1.7	-	12.9	15
											-	-	3.5	-	1.7	-	9.3	15
											-	-	-	-	1.7	-	13.6	15
											-	-	-	-	-	-	14.5	15
											10	9.62	3.5	-	1.7	-	18.9	20
											-	-	-	-	1.7	-	15.3	20
											-	-	3.5	-	1.7	-	19.7	20
-	-	-	-	-	-	20.5	25											
15	14.4	3.5	-	1.7	-	24.9	25											
-	-	-	-	1.7	-	21.3	25											
-	-	3.5	-	1.7	-	25.7	30											
-	-	-	-	-	-	26.6	30											
20	19.2	3.5	-	1.7	-	30.9	35											
-	-	-	-	1.7	-	27.3	30											
-	-	3.5	-	1.7	-	31.7	35											
DFC0601D	208/230/1/60	1	26.4	134	1	0.33	2	Direct Drive Standard Static	1	6.9	-	-	-	-	41.9/41.9	60/60		
											-	-	9.6/8.7	-	51.5/50.6	70/70		
											-	-	-	-	1.7/1.5	-	43.6/43.4	70/60
											-	-	9.6/8.7	-	1.7/1.5	-	53.2/52.1	70/70
											3.8/5.0	18.1/20.8	-	-	-	-	41.9/41.9	60/60
											-	-	9.6/8.7	-	1.7/1.5	-	51.5/50.6	70/70
											-	-	-	-	1.7/1.5	-	43.6/43.4	70/60
											-	-	9.6/8.7	-	1.7/1.5	-	53.2/52.1	70/70
											-	-	-	-	-	-	53.8/60.7	60/70
											7.5/10.0	36.1/41.7	-	-	1.7/1.5	-	65.8/71.6	70/80
											-	-	-	-	1.7/1.5	-	55.9/62.6	70/70
											-	-	9.6/8.7	-	1.7/1.5	-	67.9/73.5	70/80
-	-	-	-	-	-	76.3/86.8	80/90											
11.3/15.0	54.2/62.5	-	-	1.7/1.5	-	88.3/97.6	90/100											
-	-	9.6/8.7	-	1.7/1.5	-	78.5/88.6	80/90											
-	-	-	-	1.7/1.5	-	90.5/99.5	100/100											
15.0/20.0	72.2/83.3	-	-	9.6/8.7	-	98.9/113	100/125											
-	-	-	-	-	-	111/124	125/125											
-	-	9.6/8.7	-	1.7/1.5	-	107/115	110/125											
-	-	-	-	1.7/1.5	-	113/126	125/150											
DFC0603D	208/230/3/60	1	16	110	1	0.33	2	Direct Drive Standard Static	1	6.9	-	-	-	-	28.9/28.9	40/40		
											-	-	9.6/8.7	-	38.5/37.6	50/50		
											-	-	-	-	1.7/1.5	-	30.6/30.4	45/45
											-	-	9.6/8.7	-	1.7/1.5	-	40.2/39.1	50/50
											3.8/5.0	10.4/12.0	-	-	-	-	28.9/28.9	40/40
											-	-	9.6/8.7	-	1.7/1.5	-	38.5/37.6	50/50
											-	-	-	-	1.7/1.5	-	30.6/30.4	45/45
											-	-	9.6/8.7	-	1.7/1.5	-	40.2/39.1	50/50
											-	-	-	-	-	-	34.7/38.7	40/40
											7.5/10.0	20.8/24.1	-	-	9.6/8.7	-	46.7/49.6	50/50
											-	-	-	-	1.7/1.5	-	36.8/40.6	45/45
											-	-	9.6/8.7	-	1.7/1.5	-	48.8/51.4	50/60
-	-	-	-	-	-	47.7/53.7	50/60											
11.3/15.0	31.3/36.1	-	-	9.6/8.7	-	59.7/64.6	60/70											
-	-	-	-	1.7/1.5	-	49.8/55.6	50/60											
-	-	9.6/8.7	-	1.7/1.5	-	61.9/66.5	70/70											
-	-	-	-	-	-	60.5/68.5	70/70											
15.0/19.9	41.5/47.9	-	-	9.6/8.7	-	72.5/79.3	80/80											
-	-	-	-	1.7/1.5	-	62.6/70.3	70/80											
-	-	9.6/8.7	-	1.7/1.5	-	74.6/81.2	80/90											
DFC0603W	208/230/3/60	1	16	110	1	0.33	2	Direct Drive High Static	2.3	7.7	-	-	-	-	29.7/29.7	45/45		
											-	-	9.6/8.7	-	39.3/38.4	50/50		
											-	-	-	-	1.7/1.5	-	31.4/31.2	45/45
											-	-	9.6/8.7	-	1.7/1.5	-	41.0/39.9	50/50
											3.8/5.0	10.4/12.0	-	-	-	-	29.7/29.7	45/45
											-	-	9.6/8.7	-	1.7/1.5	-	39.3/38.4	50/50
											-	-	-	-	1.7/1.5	-	31.4/31.2	45/45
											-	-	9.6/8.7	-	1.7/1.5	-	41.0/39.9	50/50
											-	-	-	-	-	-	35.7/39.7	45/45
											7.5/10.0	20.8/24.1	-	-	9.6/8.7	-	47.7/50.6	50/60
											-	-	-	-	1.7/1.5	-	37.8/41.6	45/45
											-	-	9.6/8.7	-	1.7/1.5	-	49.8/52.4	50/60
-	-	-	-	-	-	48.7/54.7	50/60											
11.3/15.0	31.3/36.1	-	-	9.6/8.7	-	60.7/65.6	70/70											
-	-	-	-	1.7/1.5	-	50.8/56.6	60/60											
-	-	9.6/8.7	-	1.7/1.5	-	62.8/67.5	70/70											
-	-	-	-	-	-	61.5/69.5	70/70											
15.0/19.9	41.5/47.9	-	-	9.6/8.7	-	73.5/80.3	80/90											
-	-	-	-	1.7/1.5	-	63.6/71.3	70/80											
-	-	9.6/8.7	-	1.7/1.5	-	75.6/82.2	80/90											
DFC0604D	460/3/60	1	7.8	52	1	0.33	0.85	Direct Drive Standard Static	1.2	2.5	-	-	-	-	13.0	20		
											-	-	4.3	-	17.3	25		
											-	-	-	-	0.5	-	13.5	20
											-	-	4.3	-	0.5	-	17.8	25
											5	6.01	-	-	-	-	13.0	20
											-	-	4.3	-	-	-	17.3	25
											-	-	-	-	0.5	-	13.5	20
											-	-	4.3	-	0.5	-	17.8	25
											-	-	-	-	-	-	18.2	20
											10	12	-	-	4.3	-	23.5	25
											-	-	-	-	4.3	-	18.8	20
											-	-	4.3	-	0.5	-	24.2	25
-	-	-	-	-	-	25.7	30											
-	-	4.3	-	-	-	31.1	35											
-	-	-	-	0.5	-	26.3	30											
15	18	-	-	4.3	-	31.7	35											
-	-	-	-	-	-	33.2	35											
-	-	4.3	-	-	-	38.6	40											
-	-	-	-	4.3	-	33.8	35											
20	24.1	-	-	4.3	-	39.2	40											
-	-	-	-	-	-	39.2	40											

# APPENDIX B ELECTRICAL DATA

Model Number	Electrical Rating	Compressor			Outdoor Fan Motor			Indoor Fan Motor			Optional Electric Heat		Optional Powered Convenience Outlet		Optional Power Exhaust		Power Supply	
		QTY	RLA	LRA	QTY	HP	FLA	Type	HP	FLA	KW*	FLA	FLA	FLA	MCA	MGP		
DFC0604W	460/3/60	1	7.8	52	1	0.33	0.85	Direct Drive High Static	2.3	4.5	-	-	4.3	-	15.0	20		
											-	-	-	0.5	15.5	20		
											-	-	4.3	0.5	19.8	25		
											-	-	-	-	15.0	20		
											5	6.01	4.3	-	19.3	25		
											-	-	4.3	0.5	15.5	20		
											-	-	-	0.5	19.8	25		
											-	-	4.3	-	20.7	25		
											10	12	4.3	-	26.0	30		
											-	-	-	0.5	21.3	25		
											-	-	4.3	0.5	26.7	30		
											-	-	-	-	28.2	30		
15	18	4.3	-	33.6	35													
-	-	4.3	0.5	28.8	30													
-	-	-	-	35.7	40													
20	24.1	4.3	-	41.1	45													
-	-	-	0.5	36.3	40													
-	-	4.3	0.5	41.7	45													
DFC0607D	575/3/60	1	5.7	38.9	1	0.33	0.67	Direct Drive Standard Static	1.2	2	-	-	3.5	-	9.8	15		
											-	-	-	1.7	13.3	15		
											-	-	3.5	1.7	10.4	15		
											-	-	-	-	13.9	15		
											5	4.81	3.5	-	9.8	15		
											-	-	3.5	1.7	13.3	15		
											-	-	-	1.7	10.4	15		
											-	-	3.5	-	13.9	15		
											10	9.62	3.5	-	14.5	15		
											-	-	3.5	1.7	18.9	20		
											-	-	-	1.7	15.3	20		
											-	-	3.5	1.7	19.7	20		
15	14.4	3.5	-	20.5	25													
-	-	-	1.7	24.9	25													
-	-	3.5	1.7	21.3	25													
-	-	3.5	1.7	26.7	30													
20	19.2	3.5	-	26.6	30													
-	-	-	1.7	30.9	35													
-	-	3.5	1.7	27.3	30													
-	-	3.5	1.7	31.7	35													
DFC0607W	575/3/60	1	5.7	38.9	1	0.33	0.67	Direct Drive High Static	2.3	3.8	-	-	3.5	-	11.6	15		
											-	-	-	1.7	15.1	20		
											-	-	3.5	1.7	12.2	15		
											-	-	-	-	15.7	20		
											5	4.81	3.5	-	11.6	15		
											-	-	3.5	1.7	15.1	20		
											-	-	-	1.7	12.2	15		
											-	-	3.5	1.7	15.9	20		
											10	9.62	3.5	-	16.8	20		
											-	-	-	1.7	21.2	25		
											-	-	3.5	1.7	17.5	20		
											-	-	-	1.7	21.9	25		
15	14.4	3.5	-	22.8	25													
-	-	-	1.7	27.2	30													
-	-	3.5	1.7	23.5	25													
-	-	3.5	1.7	27.9	30													
-	-	3.5	1.7	28.8	30													
20	19.2	3.5	-	33.2	35													
-	-	-	1.7	29.6	30													
-	-	3.5	1.7	33.9	35													
DFC0723D	208/230/3/60	1	17.6	136	1	0.33	2	Direct Drive Standard Static	1.2	5	-	-	9.6/8.7	-	29.0/29.0	45/45		
											-	-	-	1.7/1.5	38.6/37.7	50/50		
											-	-	9.6/8.7	1.7/1.5	30.7/30.5	45/45		
											-	-	-	-	40.3/39.2	50/50		
											3.8/5.0	10.4/12.0	9.6/8.7	-	45.0/49.0	45/45		
											-	-	-	1.7/1.5	38.6/37.7	50/50		
											-	-	9.6/8.7	1.7/1.5	30.7/30.5	45/45		
											-	-	-	-	40.3/39.2	50/50		
											7.5/10.0	20.8/24.1	9.6/8.7	-	32.3/36.3	45/45		
											-	-	9.6/8.7	1.7/1.5	44.3/47.2	50/50		
											-	-	9.6/8.7	1.7/1.5	34.4/38.2	45/45		
											-	-	9.6/8.7	1.7/1.5	46.4/49.1	50/50		
11.3/15.0	31.3/36.1	9.6/8.7	-	45.3/51.4	50/60													
-	-	9.6/8.7	-	57.3/62.2	60/70													
-	-	9.6/8.7	1.7/1.5	47.5/53.2	50/60													
-	-	9.6/8.7	1.7/1.5	59.5/64.1	60/70													
15.0/19.9	41.5/47.9	9.6/8.7	-	58.1/66.1	60/70													
-	-	9.6/8.7	1.7/1.5	70.1/77.0	80/80													
-	-	9.6/8.7	1.7/1.5	60.4/68.0	70/70													
21.6/28.8	60.0/69.3	9.6/8.7	-	72.2/78.8	80/80													
-	-	9.6/8.7	-	81.3/92.9	90/100													
-	-	9.6/8.7	1.7/1.5	93.3/104	100/110													
-	-	9.6/8.7	1.7/1.5	83.4/94.7	90/100													
-	-	9.6/8.7	1.7/1.5	95.4/106	100/110													
DFC0723W	208/230/3/60	1	17.6	136	1	0.33	2	Direct Drive High Static	2.3	7.7	-	-	9.6/8.7	-	31.7/31.7	45/45		
											-	-	-	1.7/1.5	41.3/40.4	50/50		
											-	-	9.6/8.7	1.7/1.5	33.4/33.2	50/50		
											-	-	-	-	43.0/41.9	60/50		
											3.8/5.0	10.4/12.0	9.6/8.7	-	31.7/31.7	45/45		
											-	-	9.6/8.7	1.7/1.5	41.3/40.4	50/50		
											-	-	-	1.7/1.5	33.4/33.2	50/50		
											-	-	9.6/8.7	1.7/1.5	43.0/41.9	60/50		
											7.5/10.0	20.8/24.1	9.6/8.7	-	47.7/50.6	50/60		
											-	-	9.6/8.7	1.7/1.5	37.8/41.6	50/50		
											-	-	9.6/8.7	1.7/1.5	49.8/52.4	60/60		
											-	-	9.6/8.7	-	48.7/54.7	50/60		
11.3/15.0	31.3/36.1	9.6/8.7	-	60.7/65.6	70/70													
-	-	9.6/8.7	1.7/1.5	50.8/56.6	60/60													
-	-	9.6/8.7	1.7/1.5	62.8/67.5	70/70													
15.0/19.9	41.5/47.9	9.6/8.7	-	61.5/69.5	70/70													
-	-	9.6/8.7	1.7/1.5	73.5/80.3	80/90													
-	-	9.6/8.7	1.7/1.5	63.6/71.3	70/80													
-	-	9.6/8.7	1.7/1.5	75.6/82.2	80/90													
21.6/28.8	60.0/69.3	9.6/8.7	-	84.7/96.2	90/100													
-	-	9.6/8.7	1.7/1.5	96.7/107	100/110													
-	-	9.6/8.7	1.7/1.5	86.8/98.1	90/100													
-	-	9.6/8.7	1.7/1.5	98.8/109	100/110													
DFC0724D	460/3/60	1	8.5	66.1	1	0.33	0.85	Direct Drive Standard Static	1.2	2.5	-	-	4.3	-	13.9	20		
											-	-	-	0.5	18.2	25		
											-	-	4.3	0.5	14.4	20		
											-	-	-	-	18.7	25		
											5	6.01	4.3	-	13.9	20		
											-	-	4.3	0.5	18.2	25		
											-	-	-	0.5	14.4	20		
											-	-	4.3	-	18.7	25		
											10	12	4.3	-	23.5	25		
											-	-	4.3	0.5	18.8	20		
											-	-	4.3	0.5	24.2	25		
											-	-	4.3	-	25.7	30		
15	18	4.3	-	31.1	35													
-	-	-	0.5	26.3	30													
-	-	4.3	0.5	31.7	35													
-	-	-	-	33.2	35													
20	24.1	4.3	-	38.6	40													
-	-	4.3	0.5	33.8	35													
-	-	4.3	0.5	39.2	40													
30	36.1	4.3	-	48.2	50													
-	-	-	0.5	53.6	60													
-	-	4.3	0.5	48.9	50													
-	-	4.3	0.5	54.2	60													

# APPENDIX B ELECTRICAL DATA

Model Number	Electrical Rating	Compressor			Outdoor Fan Motor			Indoor Fan Motor			Optional Electric Heat		Optional Powered Convenience Outlet	Optional Power Exhaust	Power Supply			
		QTY	RLA	LRA	QTY	HP	FLA	Type	HP	FLA	KW*	FLA	FLA	FLA	MCA	MOP		
DFC0724W	460/3/60	1	8.5	66.1	1	0.33	0.85	Direct Drive High Static	2.3	4.5	-	-	-	-	15.9	20		
											-	-	4.3	-	20.2	25		
											-	-	-	0.5	16.4	20		
											-	-	4.3	0.5	20.7	25		
											5	6.01	-	-	-	-	15.9	20
													4.3	-	20.2	25		
													-	0.5	16.4	20		
													4.3	0.5	20.7	25		
											10	12	-	-	-	-	20.7	25
													4.3	-	26.0	30		
													-	0.5	21.3	25		
													4.3	0.5	26.7	30		
											15	18	-	-	-	-	28.2	30
													4.3	-	33.6	35		
													-	0.5	28.8	30		
													4.3	0.5	34.2	35		
											20	24.1	-	-	-	-	35.7	40
													4.3	-	41.1	45		
													-	0.5	36.3	40		
													4.3	0.5	41.7	45		
30	36.1	-	-	-	-	50.7	60											
		4.3	-	56.1	60													
		-	0.5	51.4	60													
		4.3	0.5	56.7	60													
DFC0727D	575/3/60	1	6.3	55.3	1	0.33	0.67	Direct Drive Standard Static	1.2	2	-	-	-	-	10.6	15		
											-	-	3.5	-	14.1	20		
											-	-	-	1.7	11.2	15		
											-	-	3.5	1.7	14.7	20		
											5	4.81	-	-	-	-	10.6	15
													3.5	-	14.1	20		
													-	1.7	11.2	15		
													3.5	1.7	14.7	20		
											10	9.62	-	-	-	-	14.5	15
													3.5	-	18.9	20		
													-	1.7	15.3	20		
													3.5	1.7	19.7	20		
											15	14.4	-	-	-	-	20.5	25
													3.5	-	24.9	25		
													-	1.7	21.3	25		
													3.5	1.7	25.7	30		
											20	19.2	-	-	-	-	26.6	30
													3.5	-	30.9	35		
													-	1.7	27.3	30		
													3.5	1.7	31.7	35		
30	28.9	-	-	-	-	38.6	40											
		3.5	-	43.0	45													
		-	1.7	39.3	40													
		3.5	1.7	43.7	45													
DFC0727W	575/3/60	1	6.3	55.3	1	0.33	0.67	Direct Drive High Static	2.3	3.8	-	-	-	-	12.4	15		
											-	-	3.5	-	15.9	20		
											-	-	-	1.7	13.0	15		
											-	-	3.5	1.7	16.5	20		
											5	4.81	-	-	-	-	12.4	15
													3.5	-	15.9	20		
													-	1.7	13.0	15		
													3.5	1.7	16.5	20		
											10	9.62	-	-	-	-	16.8	20
													3.5	-	21.2	25		
													-	1.7	17.5	20		
													3.5	1.7	21.9	25		
											15	14.4	-	-	-	-	22.8	25
													3.5	-	27.2	30		
													-	1.7	23.5	25		
													3.5	1.7	27.9	30		
											20	19.2	-	-	-	-	28.8	30
													3.5	-	33.2	35		
													-	1.7	29.6	30		
													3.5	1.7	33.9	35		
30	28.9	-	-	-	-	40.8	45											
		3.5	-	45.2	50													
		-	1.7	41.6	45													
		3.5	1.7	46.0	50													

# APPENDIX B ELECTRICAL DATA

Model Number	Electrical Rating	Compressor			Outdoor Fan Motor			Indoor Fan Motor			Optional Electric Heat		Optional Powered Convenience Outlet	Optional Power Exhaust	Power Supply	
		QTY	RLA	LRA	QTY	HP	FLA	Type	HP	FLA	KW*	FLA	FLA	FLA	MCA	MOP
DFH0361D	208/230/1/60	1	16.7	79	1	0.17	0.95	Direct Drive Standard Static	0.75	5.7	-	-	-	-	27.5/27.5	40/40
											-	-	9.6/8.7	-	37.1/36.2	50/50
											-	-	-	1.7/1.5	29.2/29.0	45/45
											-	-	9.6/8.7	1.7/1.5	38.8/37.7	50/50
											-	-	-	-	50.1/53.5	60/60
											3.8/5.0	18.1/20.8	9.6/8.7	-	59.7/62.2	70/70
											-	-	9.6/8.7	1.7/1.5	51.8/55.0	60/60
											-	-	9.6/8.7	1.7/1.5	61.4/63.7	70/70
											-	-	-	-	72.6/79.6	80/80
											7.5/10.0	36.1/41.7	9.6/8.7	-	82.2/88.3	90/90
											-	-	-	1.7/1.5	74.3/81.1	80/90
											-	-	9.6/8.7	1.7/1.5	83.9/89.8	90/90
-	-	-	-	95.2/106	100/110											
-	-	9.6/8.7	-	105/114	110/125											
-	-	-	1.7/1.5	96.9/107	100/110											
-	-	9.6/8.7	1.7/1.5	106/116	110/125											
DFH0363D	208/230/3/60	1	10.4	73	1	0.17	0.95	Direct Drive Standard Static	0.75	5.7	-	-	-	-	19.7/19.7	30/30
											-	-	9.6/8.7	-	29.3/28.4	35/35
											-	-	-	1.7/1.5	21.4/21.2	30/30
											-	-	9.6/8.7	1.7/1.5	31.0/29.9	40/40
											-	-	-	-	32.7/34.7	40/40
											3.8/5.0	10.4/12.0	9.6/8.7	-	42.3/43.4	50/50
											-	-	-	1.7/1.5	34.4/36.2	40/40
											-	-	9.6/8.7	1.7/1.5	44.0/44.9	50/50
											-	-	-	-	45.8/49.8	50/50
											7.5/10.0	20.8/24.1	9.6/8.7	-	55.4/58.5	60/60
											-	-	-	1.7/1.5	47.5/51.3	50/60
											-	-	9.6/8.7	1.7/1.5	57.1/60.0	60/60
-	-	-	-	58.8/64.8	60/70											
11.3/15.0	31.3/36.1	9.6/8.7	-	68.4/73.5	70/80											
-	-	-	1.7/1.5	60.5/66.3	70/70											
-	-	9.6/8.7	1.7/1.5	70.1/75.0	80/80											
DFH0363W	208/230/3/60	1	10.4	73	1	0.17	0.95	Direct Drive High Static	1.20	5	-	-	-	-	19.0/19.0	25/25
											-	-	9.6/8.7	-	28.6/27.7	35/35
											-	-	-	1.7/1.5	20.7/20.5	30/30
											-	-	9.6/8.7	1.7/1.5	30.3/29.2	40/35
											-	-	-	-	32.0/34.0	35/40
											3.8/5.0	10.4/12.0	9.6/8.7	-	41.6/42.7	45/50
											-	-	-	1.7/1.5	33.7/35.5	40/40
											-	-	9.6/8.7	1.7/1.5	43.3/44.2	50/50
											-	-	-	-	45.1/49.1	50/50
											7.5/10.0	20.8/24.1	9.6/8.7	-	54.7/57.8	60/60
											-	-	-	1.7/1.5	46.8/50.6	50/60
											-	-	9.6/8.7	1.7/1.5	56.4/59.3	60/60
-	-	-	-	58.1/64.1	60/70											
11.3/15.0	31.3/36.1	9.6/8.7	-	67.7/72.8	70/80											
-	-	-	1.7/1.5	59.8/65.6	60/70											
-	-	9.6/8.7	1.7/1.5	69.4/74.3	70/80											
DFH0364D	460/3/60	1	5.8	38	1	0.17	0.48	Direct Drive Standard Static	1.20	2.5	-	-	-	-	10.2	15
											-	-	4.3	-	14.5	20
											-	-	-	0.5	10.7	15
											-	-	4.3	0.5	15.0	20
											-	-	-	-	17.7	20
											5	6.01	4.3	-	22.0	25
											-	-	-	0.5	18.2	20
											-	-	4.3	0.5	22.5	25
											-	-	-	-	25.2	30
											10	12	4.3	-	29.5	30
											-	-	-	0.5	25.7	30
											-	-	4.3	0.5	30.0	35
-	-	-	-	32.7	35											
15	18	4.3	-	37.0	40											
-	-	-	0.5	33.2	35											
-	-	4.3	0.5	37.5	40											
DFH0364W	460/3/60	1	5.8	38	1	0.17	0.48	Direct Drive High Static	1.20	2.5	-	-	-	-	10.2	15
											-	-	4.3	-	14.5	20
											-	-	-	0.5	10.7	15
											-	-	4.3	0.5	15.0	20
											-	-	-	-	17.7	20
											5	6.01	4.3	-	22.0	25
											-	-	-	0.5	18.2	20
											-	-	4.3	0.5	22.5	25
											-	-	-	-	25.2	30
											10	12	4.3	-	29.5	30
											-	-	-	0.5	25.7	30
											-	-	4.3	0.5	30.0	35
-	-	-	-	32.7	35											
15	18	4.3	-	37.0	40											
-	-	-	0.5	33.2	35											
-	-	4.3	0.5	37.5	40											
DFH0367D	575/3/60	1	3.8	36.5	1	0.17	0.39	Direct Drive Standard Static	1.20	2	-	-	-	-	7.1	15
											-	-	3.5	-	10.6	15
											-	-	-	0.6	7.7	15
											-	-	3.5	0.6	11.2	15
											-	-	-	-	13.1	15
											5	4.81	3.5	-	16.6	20
											-	-	-	0.6	13.7	15
											-	-	3.5	0.6	17.2	20
											-	-	-	-	19.1	20
											10	9.62	3.5	-	22.6	25
											-	-	-	0.6	19.7	20
											-	-	3.5	0.6	23.2	25
-	-	-	-	25.2	30											
15	14.4	3.5	-	28.7	30											
-	-	-	0.6	25.8	30											
-	-	3.5	0.6	29.3	30											



# APPENDIX B ELECTRICAL DATA

Model Number	Electrical Rating	Compressor			Outdoor Fan Motor			Indoor Fan Motor			Optional Electric Heat		Optional Powered Convenience Outlet	Optional Power Exhaust	Power Supply	
		QTY	RLA	LRA	QTY	HP	FLA	Type	HP	FLA	KW*	FLA	FLA	FLA	MCA	MOP
DFH0367W	575/3/60	1	3.8	36.5	1	0.17	0.39	Direct Drive High Static	1.20	2	-	-	-	-	7.1	15
											-	-	3.5	-	10.6	15
											-	-	-	0.6	7.7	15
											-	-	3.5	0.6	11.2	15
											-	-	-	-	13.1	15
											5	4.81	3.5	-	16.6	20
											-	-	-	0.6	13.7	15
											-	-	3.5	0.6	17.2	20
											-	-	-	-	19.1	20
											10	9.62	3.5	-	22.6	25
											-	-	-	0.6	19.7	20
											-	-	3.5	0.6	23.2	25
-	-	-	-	25.2	30											
15	14.4	3.5	-	28.7	30											
-	-	-	0.6	25.8	30											
-	-	3.5	0.6	29.3	30											
DFH0481D	208/230/1/60	1	19.9	109	1	0.25	1.40	Direct Drive Standard Static	1.00	6.9	-	-	-	-	33.1/33.1	50/50
											-	-	9.6/8.7	-	42.7/41.8	60/60
											-	-	-	1.7/1.5	34.8/34.6	50/50
											-	-	9.6/8.7	1.7/1.5	44.4/43.3	60/60
											-	-	-	-	55.7/59.2	70/70
											3.8/5.0	18.1/20.8	9.6/8.7	-	65.3/67.9	80/80
											-	-	-	1.7/1.5	57.4/60.7	70/70
											-	-	9.6/8.7	1.7/1.5	67.0/69.4	80/80
											-	-	-	-	78.3/85.2	80/90
											7.5/10.0	36.1/41.7	9.6/8.7	-	87.9/93.9	90/100
											-	-	-	1.7/1.5	80.0/86.7	90/90
											-	-	9.6/8.7	1.7/1.5	89.6/95.4	100/100
-	-	-	-	101/111	110/125											
11.3/15.0	54.2/62.5	9.6/8.7	-	110/120	125/125											
-	-	-	1.7/1.5	103/113	110/125											
-	-	9.6/8.7	1.7/1.5	112/121	125/125											
-	-	-	-	123/137	125/150											
15.0/20.0	72.2/83.3	9.6/8.7	-	133/146	150/150											
-	-	-	1.7/1.5	125/139	150/150											
-	-	9.6/8.7	1.7/1.5	135/148	150/150											
DFH0483D	208/230/3/60	1	13.1	83.1	1	0.25	1.40	Direct Drive Standard Static	1.00	6.9	-	-	-	-	24.7/24.7	35/35
											-	-	9.6/8.7	-	34.3/33.4	45/45
											-	-	-	1.7/1.5	26.4/26.2	35/35
											-	-	9.6/8.7	1.7/1.5	36.0/34.9	45/45
											-	-	-	-	37.8/39.8	45/45
											3.8/5.0	10.4/12.0	9.6/8.7	-	47.4/48.5	50/50
											-	-	-	1.7/1.5	39.5/41.3	45/50
											-	-	9.6/8.7	1.7/1.5	49.1/50.0	50/60
											-	-	-	-	50.8/54.8	60/60
											7.5/10.0	20.8/24.1	9.6/8.7	-	60.4/63.5	70/70
											-	-	-	1.7/1.5	52.5/56.3	60/60
											-	-	9.6/8.7	1.7/1.5	62.1/65.0	70/70
-	-	-	-	63.8/69.8	70/70											
11.3/15.0	31.3/36.1	9.6/8.7	-	73.4/78.5	80/80											
-	-	-	1.7/1.5	65.5/71.3	70/80											
-	-	9.6/8.7	1.7/1.5	75.1/80.0	80/90											
-	-	-	-	76.6/84.6	80/90											
15.0/19.9	41.5/47.9	9.6/8.7	-	86.2/93.3	90/100											
-	-	-	1.7/1.5	78.3/86.1	80/90											
-	-	9.6/8.7	1.7/1.5	87.9/94.8	90/100											
DFH0483W	208/230/3/60	1	13.1	83.1	1	0.25	1.40	Direct Drive High Static	1.20	5	-	-	-	-	22.8/22.8	35/35
											-	-	9.6/8.7	-	32.4/31.5	45/40
											-	-	-	1.7/1.5	24.5/24.3	35/35
											-	-	9.6/8.7	1.7/1.5	34.1/33.0	45/45
											-	-	-	-	35.9/37.9	45/45
											3.8/5.0	10.4/12.0	9.6/8.7	-	45.5/46.6	50/50
											-	-	-	1.7/1.5	37.6/39.4	45/45
											-	-	9.6/8.7	1.7/1.5	47.2/48.1	50/50
											-	-	-	-	48.9/52.9	50/60
											7.5/10.0	20.8/24.1	9.6/8.7	-	58.5/61.6	60/70
											-	-	-	1.7/1.5	50.6/54.4	60/60
											-	-	9.6/8.7	1.7/1.5	60.2/63.1	70/70
-	-	-	-	61.9/67.9	70/70											
11.3/15.0	31.3/36.1	9.6/8.7	-	71.5/76.6	80/80											
-	-	-	1.7/1.5	63.6/69.4	70/70											
-	-	9.6/8.7	1.7/1.5	73.2/78.1	80/80											
-	-	-	-	74.7/82.7	80/90											
15.0/19.9	41.5/47.9	9.6/8.7	-	84.3/91.4	90/100											
-	-	-	1.7/1.5	76.4/84.2	80/90											
-	-	9.6/8.7	1.7/1.5	86.0/92.9	90/100											
DFH0484D	460/3/60	1	6.1	41	1	0.25	0.70	Direct Drive Standard Static	1.20	2.5	-	-	-	-	10.8	15
											-	-	4.3	-	15.1	20
											-	-	-	0.5	11.3	15
											-	-	4.3	0.5	15.6	20
											-	-	-	-	18.3	20
											5	6.01	4.3	-	22.6	25
											-	-	4.3	0.5	18.8	20
											-	-	-	-	23.1	25
											-	-	4.3	0.5	25.8	30
											10	12	4.3	-	30.1	35
											-	-	-	0.5	26.3	30
											-	-	4.3	0.5	30.6	35
-	-	-	-	33.4	35											
15	18	4.3	-	37.7	40											
-	-	-	0.5	33.9	35											
-	-	4.3	0.5	38.2	40											
-	-	-	-	40.9	45											
20	24.1	4.3	-	45.2	50											
-	-	-	0.5	41.4	45											
-	-	4.3	0.5	45.7	50											
DFH0484W	460/3/60	1	6.1	41	1	0.25	0.70	Direct Drive High Static	1.20	2.5	-	-	-	-	10.8	15
											-	-	4.3	-	15.1	20
											-	-	-	0.5	11.3	15
											-	-	4.3	0.5	15.6	20
											-	-	-	-	18.3	20
											5	6.01	4.3	-	22.6	25
											-	-	-	0.5	18.8	20
											-	-	4.3	0.5	23.1	25
											-	-	-	-	25.8	30
											10	12	4.3	-	30.1	35
											-	-	-	0.5	26.3	30
											-	-	4.3	0.5	30.6	35
-	-	-	-	33.4	35											
15	18	4.3	-	37.7	40											
-	-	-	0.5	33.9	35											
-	-	4.3	0.5	38.2	40											
-	-	-	-	40.9	45											
20	24.1	4.3	-	45.2	50											
-	-	-	0.5	41.4	45											
-	-	4.3	0.5	45.7	50											

# APPENDIX B ELECTRICAL DATA

Model Number	Electrical Rating	Compressor			Outdoor Fan Motor			Indoor Fan Motor			Optional Electric Heat		Optional Powered Convenience Outlet		Optional Power Exhaust		Power Supply	
		QTY	RLA	LRA	QTY	HP	FLA	Type	HP	FLA	KW*	FLA	FLA	FLA	MCA	MOP		
DFH0487D	575/3/60	1	4.4	33	1	0.25	0.55	Direct Drive Standard Static	1.20	2	-	-	-	-	8.0	15		
											-	-	3.5	-	11.5	15		
											-	-	-	0.6	8.6	15		
											-	-	3.5	0.6	12.1	15		
											-	-	-	-	14.0	15		
											5	4.81	3.5	-	17.5	20		
											-	-	-	0.6	14.6	15		
											-	-	3.5	0.6	18.1	20		
											-	-	-	-	20.0	25		
											10	9.62	3.5	-	23.5	25		
											-	-	-	0.6	20.6	25		
											-	-	3.5	0.6	24.1	25		
											-	-	-	-	26.0	30		
											15	14.4	3.5	-	29.5	30		
											-	-	-	0.6	26.6	30		
											-	-	3.5	0.6	30.1	35		
											20	19.2	-	-	32.1	35		
											-	-	-	-	35.6	40		
-	-	3.5	0.6	32.7	35													
-	-	-	-	36.2	40													
DFH0487W	575/3/60	1	4.4	33	1	0.25	0.55	Direct Drive High Static	1.20	2	-	-	-	-	8.0	15		
											-	-	3.5	-	11.5	15		
											-	-	-	0.6	8.6	15		
											-	-	3.5	0.6	12.1	15		
											-	-	-	-	14.0	15		
											5	4.81	3.5	-	17.5	20		
											-	-	-	0.6	14.6	15		
											-	-	3.5	0.6	18.1	20		
											-	-	-	-	20.0	25		
											10	9.62	3.5	-	23.5	25		
											-	-	-	0.6	20.6	25		
											-	-	3.5	0.6	24.1	25		
											-	-	-	-	26.0	30		
											15	14.4	3.5	-	29.5	30		
											-	-	-	0.6	26.6	30		
											-	-	3.5	0.6	30.1	35		
											20	19.2	-	-	32.1	35		
											-	-	-	-	35.6	40		
-	-	3.5	0.6	32.7	35													
-	-	-	-	36.2	40													
DFH0601D	208/230/1/60	1	26.4	134	1	0.33	2.00	Direct Drive Standard Static	1.00	6.9	-	-	-	-	41.9/41.9	60/60		
											-	-	9.6/8.7	-	51.5/50.6	70/70		
											-	-	-	1.7/1.5	43.6/43.4	70/60		
											-	-	9.6/8.7	1.7/1.5	53.2/52.1	70/70		
											-	-	-	-	64.5/68.0	80/80		
											3.8/5.0	18.1/20.8	9.6/8.7	-	74.1/76.7	90/90		
											-	-	-	1.7/1.5	66.2/69.5	80/90		
											-	-	9.6/8.7	1.7/1.5	75.8/78.2	90/90		
											-	-	-	-	87.1/94.0	100/100		
											7.5/10.0	36.1/41.7	9.6/8.7	-	96.7/103	110/110		
											-	-	-	1.7/1.5	88.8/95.5	100/110		
											-	-	9.6/8.7	1.7/1.5	98.4/104	110/110		
											-	-	-	-	110/120	110/125		
											11.3/15.0	54.2/62.5	9.6/8.7	-	119/129	125/150		
											-	-	-	1.7/1.5	111/122	125/125		
											-	-	9.6/8.7	1.7/1.5	121/130	125/150		
											15.0/20.0	72.2/83.3	-	-	132/146	150/150		
											-	-	9.6/8.7	-	142/155	150/175		
-	-	-	1.7/1.5	134/148	150/150													
-	-	9.6/8.7	1.7/1.5	143/156	150/175													
DFH0603D	208/230/3/60	1	16.0	110	1	0.33	2.00	Direct Drive Standard Static	1.00	6.9	-	-	-	-	28.9/28.9	40/40		
											-	-	9.6/8.7	-	38.5/37.6	50/50		
											-	-	-	1.7/1.5	30.6/30.4	45/45		
											-	-	9.6/8.7	1.7/1.5	40.2/39.1	50/50		
											-	-	-	-	41.9/43.9	50/50		
											3.8/5.0	10.4/12.0	9.6/8.7	-	51.5/52.6	60/60		
											-	-	-	1.7/1.5	43.6/45.4	50/50		
											-	-	9.6/8.7	1.7/1.5	53.2/54.1	60/60		
											-	-	-	-	54.9/58.9	60/60		
											7.5/10.0	20.8/24.1	9.6/8.7	-	64.5/67.6	70/70		
											-	-	-	1.7/1.5	56.6/60.4	60/70		
											-	-	9.6/8.7	1.7/1.5	66.2/69.1	70/70		
											-	-	-	-	67.9/74.0	70/80		
											11.3/15.0	31.3/36.1	9.6/8.7	-	77.5/82.7	80/90		
											-	-	-	1.7/1.5	69.6/75.5	70/80		
											-	-	9.6/8.7	1.7/1.5	79.2/84.2	80/90		
											15.0/19.9	41.5/47.9	-	-	80.7/88.7	90/90		
											-	-	9.6/8.7	-	90.3/97.4	100/100		
-	-	-	1.7/1.5	82.4/90.2	90/100													
-	-	9.6/8.7	1.7/1.5	92.0/98.9	100/100													
DFH0603W	208/230/3/60	1	16.0	110	1	0.33	2.00	Direct Drive High Static	2.30	7.7	-	-	-	-	29.7/29.7	45/45		
											-	-	9.6/8.7	-	39.3/38.4	50/50		
											-	-	-	1.7/1.5	31.4/31.2	45/45		
											-	-	9.6/8.7	1.7/1.5	41.0/39.9	50/50		
											-	-	-	-	42.7/44.7	50/50		
											3.8/5.0	10.4/12.0	9.6/8.7	-	52.3/53.4	60/60		
											-	-	-	1.7/1.5	44.4/46.2	50/50		
											-	-	9.6/8.7	1.7/1.5	54.0/54.9	60/60		
											-	-	-	-	55.7/59.7	60/60		
											7.5/10.0	20.8/24.1	9.6/8.7	-	65.3/68.4	70/70		
											-	-	-	1.7/1.5	57.4/61.2	60/70		
											-	-	9.6/8.7	1.7/1.5	67.0/69.9	70/70		
											-	-	-	-	68.7/74.8	70/80		
											11.3/15.0	31.3/36.1	9.6/8.7	-	78.3/83.5	80/90		
											-	-	-	1.7/1.5	70.4/76.3	80/80		
											-	-	9.6/8.7	1.7/1.5	80.0/85.0	90/90		
											15.0/19.9	41.5/47.9	-	-	81.5/89.5	90/90		
											-	-	9.6/8.7	-	91.1/98.2	100/100		
-	-	-	1.7/1.5	83.2/91.0	90/100													
-	-	9.6/8.7	1.7/1.5	92.8/99.7	100/100													

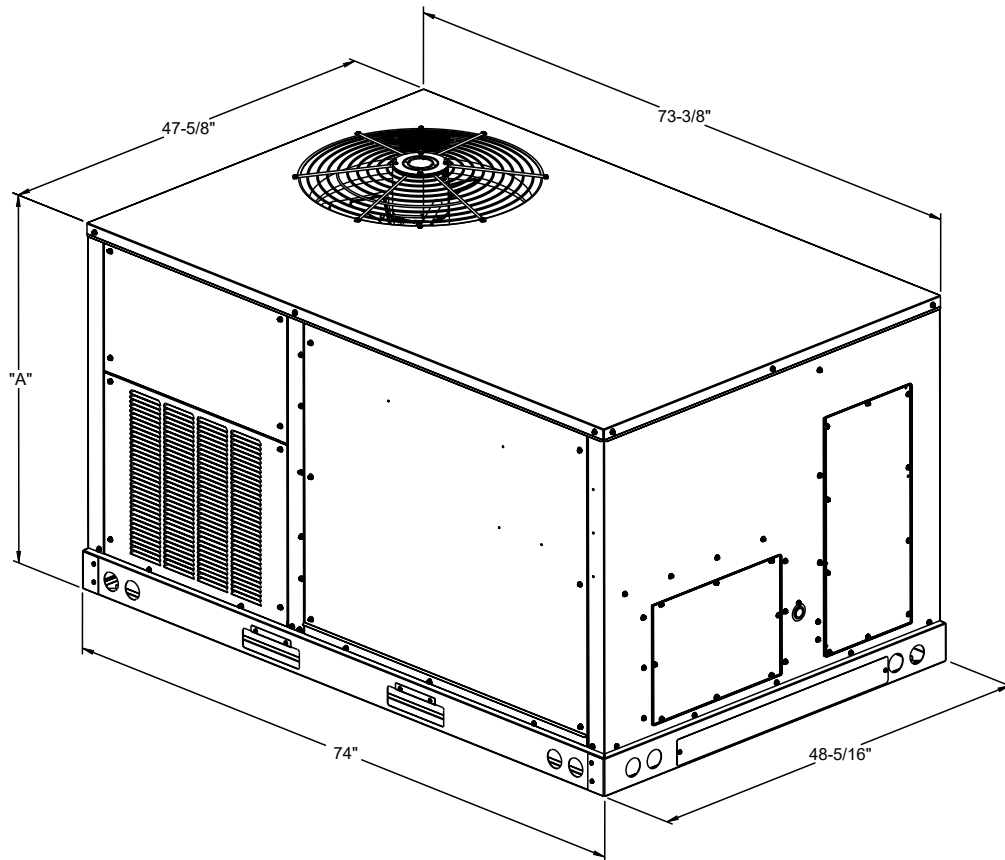
# APPENDIX B ELECTRICAL DATA

Model Number	Electrical Rating	Compressor			Outdoor Fan Motor			Indoor Fan Motor			Optional Electric Heat		Optional Powered Convenience Outlet	Optional Power Exhaust	Power Supply			
		QTY	RLA	LRA	QTY	HP	FLA	Type	HP	FLA	KW*	FLA	FLA	FLA	MCA	MOP		
DFH0604D	460/3/60	1	7.8	52	1	0.33	0.85	Direct Drive Standard Static	1.20	2.5	-	-	-	-	13.0	20		
											-	-	4.3	-	17.3	25		
											-	-	-	0.5	13.5	20		
											-	-	4.3	0.5	17.8	25		
											5	6.01	-	-	20.6	25		
													-	-	4.3	-	24.9	30
													-	-	-	0.5	21.1	25
													-	-	4.3	0.5	25.4	30
											10	12	-	-	28.1	30		
													-	-	4.3	-	32.4	35
													-	-	-	0.5	28.6	30
													-	-	4.3	0.5	32.9	35
											15	18	-	-	35.6	40		
													-	-	4.3	-	39.9	40
													-	-	-	0.5	36.1	40
													-	-	4.3	0.5	40.4	45
20	24.1	-	-	43.1	45													
		-	-	4.3	-	47.4	50											
		-	-	-	0.5	43.6	45											
		-	-	4.3	0.5	47.9	50											
DFH0604W	460/3/60	1	7.8	52	1	0.33	0.85	Direct Drive High Static	2.30	4.5	-	-	-	-	15.0	20		
											-	-	4.3	-	19.3	25		
											-	-	-	0.5	15.5	20		
											-	-	4.3	0.5	19.8	25		
											5	6.01	-	-	22.6	25		
													-	-	4.3	-	26.9	30
													-	-	-	0.5	23.1	25
													-	-	4.3	0.5	27.4	30
											10	12	-	-	30.1	35		
													-	-	4.3	-	34.4	35
													-	-	-	0.5	30.6	35
													-	-	4.3	0.5	34.9	35
											15	18	-	-	37.6	40		
													-	-	4.3	-	41.9	45
													-	-	-	0.5	38.1	40
													-	-	4.3	0.5	42.4	45
20	24.1	-	-	45.1	50													
		-	-	4.3	-	49.4	50											
		-	-	-	0.5	45.6	50											
		-	-	4.3	0.5	49.9	50											
DFH0607D	575/3/60	1	5.7	38.9	1	0.33	0.67	Direct Drive Standard Static	1.20	2	-	-	-	-	9.8	15		
											-	-	3.5	-	13.3	15		
											-	-	-	0.6	10.4	15		
											-	-	3.5	0.6	13.9	15		
											5	4.81	-	-	15.8	20		
													-	-	3.5	-	19.3	20
													-	-	-	0.6	16.4	20
													-	-	3.5	0.6	19.9	20
											10	9.62	-	-	21.8	25		
													-	-	3.5	-	25.3	30
													-	-	-	0.6	22.4	25
													-	-	3.5	0.6	25.9	30
											15	14.4	-	-	27.8	30		
													-	-	3.5	-	31.3	35
													-	-	-	0.6	28.4	30
													-	-	3.5	0.6	31.9	35
20	19.2	-	-	33.9	35													
		-	-	-	-	37.4	40											
		-	-	3.5	-	34.5	35											
		-	-	3.5	0.6	38.0	40											
DFH0607W	575/3/60	1	5.7	38.9	1	0.33	0.67	Direct Drive High Static	2.30	3.8	-	-	-	-	11.6	15		
											-	-	3.5	-	15.1	20		
											-	-	-	0.6	12.2	15		
											-	-	3.5	0.6	15.7	20		
											5	4.81	-	-	17.6	20		
													-	-	3.5	-	21.1	25
													-	-	-	0.6	18.2	20
													-	-	3.5	0.6	21.7	25
											10	9.62	-	-	23.6	25		
													-	-	3.5	-	27.1	30
													-	-	-	0.6	24.2	25
													-	-	3.5	0.6	27.7	30
											15	14.4	-	-	29.6	30		
													-	-	3.5	-	33.1	35
													-	-	-	0.6	30.2	35
													-	-	3.5	0.6	33.7	35
20	19.2	-	-	35.7	40													
		-	-	3.5	-	39.2	40											
		-	-	-	0.6	36.3	40											
		-	-	3.5	0.6	39.8	40											
DFH0723D	208/230/3/60	1	17.6	136	1	0.50	2.70	Direct Drive Standard Static	1.20	5	-	-	-	-	29.7/29.7	45/45		
											-	-	9.6/8.7	-	39.3/38.4	50/50		
											-	-	-	1.7/1.5	31.4/31.2	45/45		
											-	-	9.6/8.7	1.7/1.5	41.0/39.9	50/50		
											3.8/5.0	10.4/12.0	-	-	42.7/44.7	50/50		
													-	-	9.6/8.7	-	52.3/53.4	60/60
													-	-	-	1.7/1.5	44.4/46.2	50/60
													-	-	9.6/8.7	1.7/1.5	54.0/54.9	60/60
											7.5/10.0	20.8/24.1	-	-	55.7/59.7	60/70		
													-	-	9.6/8.7	-	65.3/68.4	70/70
													-	-	-	1.7/1.5	57.4/61.2	60/70
													-	-	9.6/8.7	1.7/1.5	67.0/69.9	70/80
											11.3/15.0	31.3/36.1	-	-	68.7/74.8	70/80		
													-	-	9.6/8.7	-	78.3/83.5	80/90
													-	-	-	1.7/1.5	70.4/76.3	80/80
													-	-	9.6/8.7	1.7/1.5	80.0/85.0	90/90
15.0/19.9	41.5/47.9	-	-	81.5/89.5	90/90													
		-	-	9.6/8.7	-	91.1/98.2	100/100											
		-	-	-	1.7/1.5	83.2/91.0	90/100											
		-	-	9.6/8.7	1.7/1.5	92.8/99.7	100/100											
21.6/28.8	60.0/69.3	-	-	105/116	110/125													
		-	-	9.6/8.7	-	114/125	125/125											
		-	-	-	1.7/1.5	106/118	110/125											
		-	-	9.6/8.7	1.7/1.5	116/126	125/150											

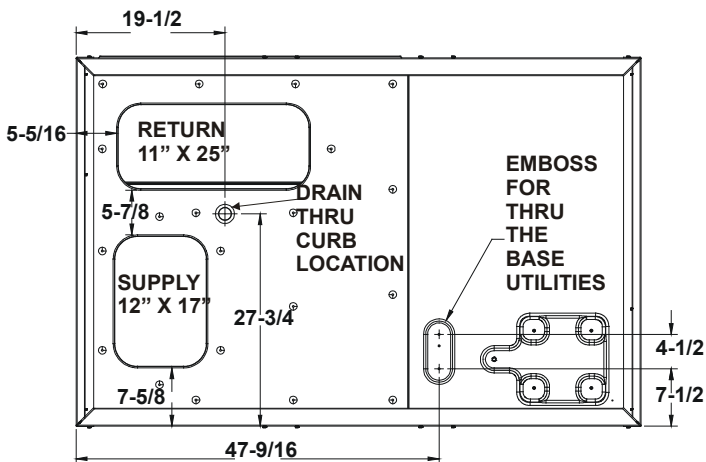
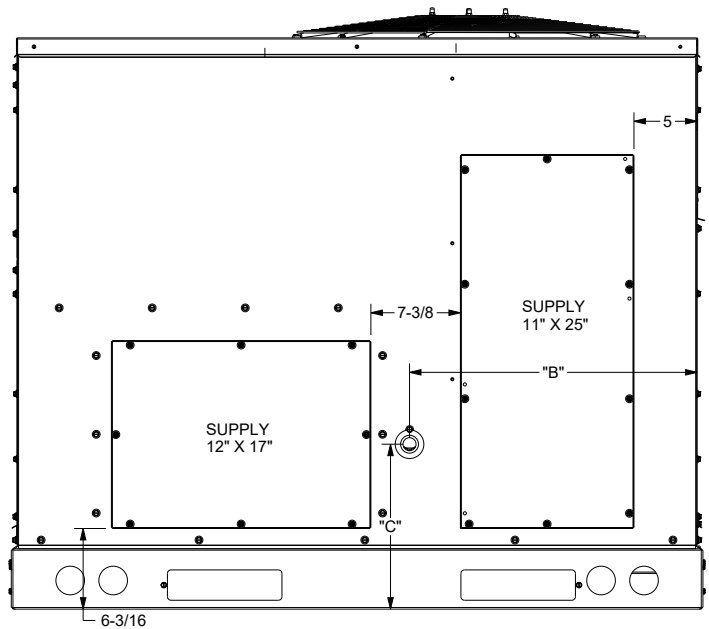
# APPENDIX B ELECTRICAL DATA

Model Number	Electrical Rating	Compressor			Outdoor Fan Motor			Indoor Fan Motor			Optional Electric Heat		Optional Powered Convenience Outlet	Optional Power Exhaust	Power Supply	
		QTY	RLA	LRA	QTY	HP	FLA	Type	HP	FLA	KW*	FLA	FLA	FLA	MCA	MOP
DFH0723W	208/230/3/60	1	17.6	136	1	0.50	2.70	Direct Drive High Static	2.30	7.7	-	-	-	-	32.4/32.4	45/45
											-	-	9.6/8.7	-	42.0/41.1	50/50
											-	-	-	1.7/1.5	34.1/33.9	50/50
											-	-	9.6/8.7	1.7/1.5	43.7/42.6	60/60
											-	-	-	-	45.4/47.4	60/60
											3.8/5.0	10.4/12.0	9.6/8.7	-	55.0/56.1	60/70
													9.6/8.7	1.7/1.5	47.1/48.9	60/60
											-	-	9.6/8.7	1.7/1.5	56.7/57.6	70/70
											-	-	-	-	58.4/62.4	70/70
											7.5/10.0	20.8/24.1	9.6/8.7	-	68.0/71.1	80/80
													9.6/8.7	1.7/1.5	60.1/63.9	70/70
											-	-	9.6/8.7	1.7/1.5	69.7/72.6	80/80
											-	-	-	-	71.4/77.5	80/80
											11.3/15.0	31.3/36.1	9.6/8.7	-	81.0/86.2	90/90
													9.6/8.7	1.7/1.5	73.1/79.0	80/80
											-	-	9.6/8.7	1.7/1.5	82.7/87.7	90/90
											-	-	-	-	84.2/92.2	90/100
											15.0/19.9	41.5/47.9	9.6/8.7	-	93.8/101	100/110
9.6/8.7	1.7/1.5	85.9/89.7	90/100													
-	-	9.6/8.7	1.7/1.5	95.5/102	100/110											
-	-	-	-	107/119	110/125											
21.6/28.8	60.0/69.3	9.6/8.7	-	117/128	125/150											
		9.6/8.7	1.7/1.5	109/120	110/125											
-	-	9.6/8.7	1.7/1.5	119/129	125/150											
DFH0724D	460/3/60	1	8.5	66.1	1	0.50	1.40	Direct Drive Standard Static	1.20	2.5	-	-	-	-	14.5	20
											-	-	4.3	-	18.8	25
											-	-	-	0.5	15.0	20
											-	-	4.3	0.5	19.3	25
											-	-	-	-	22.0	25
											5	6.01	4.3	-	26.3	30
													4.3	0.5	22.5	25
											-	-	4.3	0.5	26.8	30
											-	-	-	-	29.5	30
											10	12	4.3	-	33.8	35
													4.3	0.5	30.0	35
											-	-	4.3	0.5	34.3	35
											-	-	-	-	37.0	40
											15	18	4.3	-	41.3	45
													4.3	0.5	37.5	40
											-	-	4.3	0.5	41.8	45
											-	-	-	-	44.5	45
											20	24.1	4.3	-	48.8	50
4.3	0.5	45.0	50													
-	-	4.3	0.5	49.3	50											
-	-	-	-	59.6	60											
30	36.1	4.3	-	63.9	70											
		4.3	0.5	60.1	70											
-	-	4.3	0.5	64.4	70											
DFH0724W	460/3/60	1	8.5	66.1	1	0.50	1.40	Direct Drive High Static	2.30	4.5	-	-	-	-	16.5	20
											-	-	4.3	-	20.8	25
											-	-	-	0.5	17.0	25
											-	-	4.3	0.5	21.3	25
											-	-	-	-	24.0	30
											5	6.01	4.3	-	28.3	35
													4.3	0.5	24.5	30
											-	-	4.3	0.5	28.8	35
											-	-	-	-	31.5	35
											10	12	4.3	-	35.8	40
													4.3	0.5	32.0	35
											-	-	4.3	0.5	36.3	40
											-	-	-	-	39.0	40
											15	18	4.3	-	43.3	45
													4.3	0.5	39.5	40
											-	-	4.3	0.5	43.8	45
											-	-	-	-	46.5	50
											20	24.1	4.3	-	50.8	60
4.3	0.5	47.0	50													
-	-	4.3	0.5	51.3	60											
-	-	-	-	61.6	70											
30	36.1	4.3	-	65.9	70											
		4.3	0.5	62.1	70											
-	-	4.3	0.5	66.4	70											
DFH0727D	575/3/60	1	6.3	55.3	1	0.50	1.00	Direct Drive Standard Static	1.20	2	-	-	-	-	10.9	15
											-	-	3.5	-	14.4	20
											-	-	-	0.6	11.5	15
											-	-	3.5	0.6	15.0	20
											-	-	-	-	16.9	20
											5	4.81	3.5	-	20.4	25
													3.5	0.6	17.5	20
											-	-	3.5	0.6	21.0	25
											-	-	-	-	23.0	25
											10	9.62	3.5	-	26.5	30
													3.5	0.6	23.6	25
											-	-	3.5	0.6	27.1	30
											-	-	-	-	29.0	30
											15	14.4	3.5	-	32.5	35
													3.5	0.6	29.6	30
											-	-	3.5	0.6	33.1	35
											-	-	-	-	35.0	35
											20	19.2	3.5	-	38.5	40
3.5	0.6	35.6	40													
-	-	3.5	0.6	39.1	40											
-	-	-	-	47.0	50											
30	28.9	3.5	-	50.5	60											
		3.5	0.6	47.6	50											
-	-	3.5	0.6	51.1	60											
DFH0727W	575/3/60	1	6.3	55.3	1	0.50	1.00	Direct Drive High Static	2.30	3.8	-	-	-	-	12.7	15
											-	-	3.5	-	16.2	20
											-	-	-	0.6	13.3	15
											-	-	3.5	0.6	16.8	20
											-	-	-	-	18.7	20
											5	4.81	3.5	-	22.2	25
													3.5	0.6	19.3	20
											-	-	3.5	0.6	22.8	25
											-	-	-	-	24.8	25
											10	9.62	3.5	-	28.3	30
													3.5	0.6	25.4	30
											-	-	3.5	0.6	28.9	30
											-	-	-	-	30.8	35
											15	14.4	3.5	-	34.3	35
													3.5	0.6	31.4	35
											-	-	3.5	0.6	34.9	35
											-	-	-	-	36.8	40
											20	19.2	3.5	-	40.3	45
3.5	0.6	37.4	40													
-	-	3.5	0.6	40.9	45											
-	-	-	-	48.8	50											
30	28.9	3.5	-	52.3	60											
		3.5	0.6	49.4	50											
-	-	3.5	0.6	52.9	60											

# APPENDIX C UNIT DIMENSIONS



TONNAGE	UNIT HEIGHT	HORIZONTAL CONDENSATE DRAIN		
	DIM "A" (ABOVE)	DIM "B" (BELOW)	DIM "C" (BELOW)	
	DFC/DFH	DFC/DFH	DFC	DFH
3 TON	39-7/8"	20"	15"	11-1/2"
4 TON				
5 TON				
6 TON	43-1/2"	20"	8-1/8"	



**BOTTOM VIEW OF UNIT**

**HORIZONTAL DISCHARGE**

**VERTICAL DISCHARGE**

**NOTE: REFER TO IOD-7082 INCLUDED IN THE LITERATURE PACK FOR INSTALLING HORIZONTAL DUCT COVERS.**

# APPENDIX D AIR FLOW FOR ELECTRIC HEAT

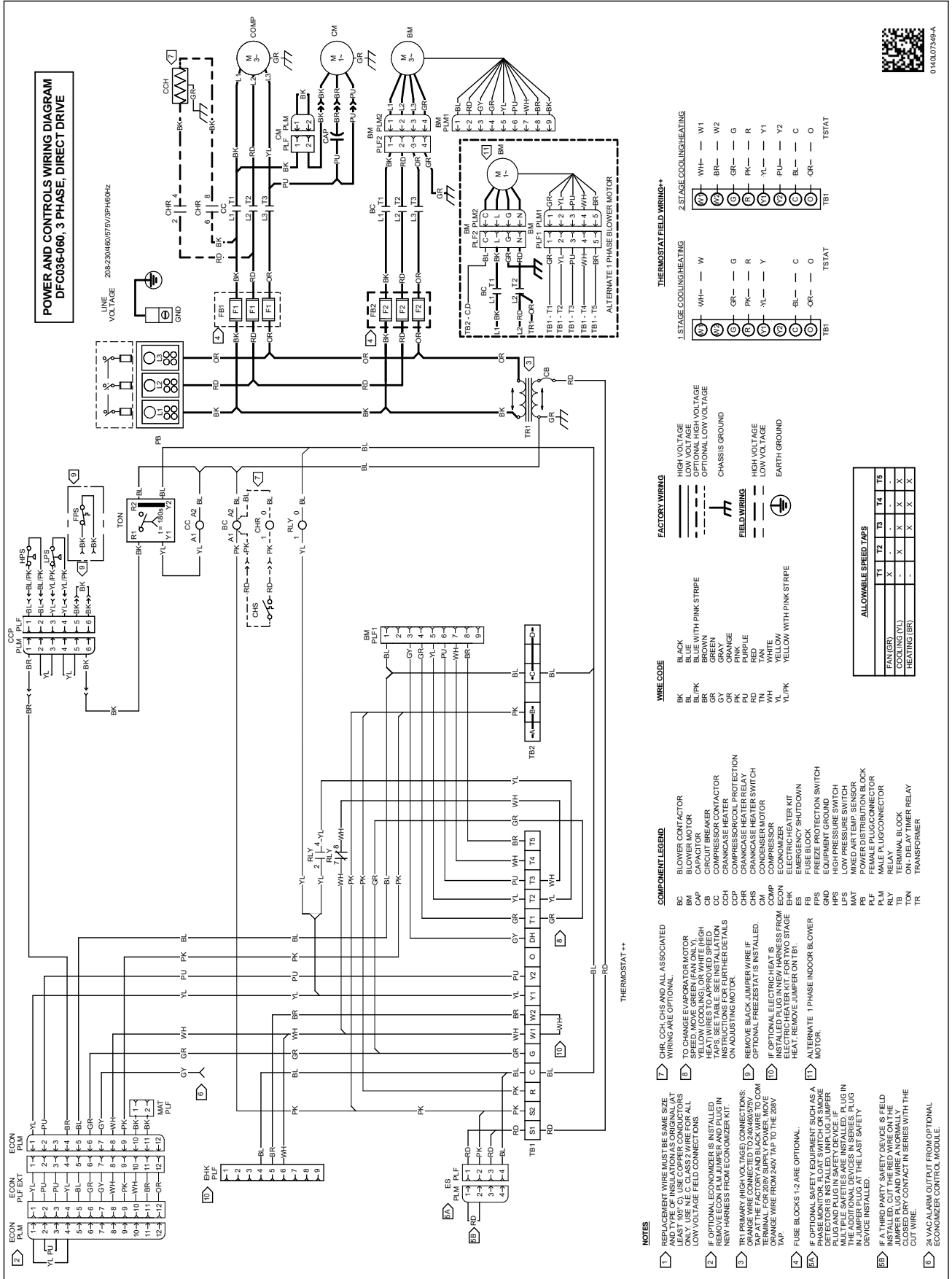
ELECTRIC HEATERS				
UNIT	KW	HEATING MINIMUM AIRFLOW	COOLING MINIMUM AIRFLOW	MAXIMUM CFM
3 TON AC STD STATIC	5	1200	900	1500
	10			
	15			
3 TON AC HIGH STATIC	5	1200	900	1500
	10			
	15			
4 TON AC STD STATIC	5	1600	1200	2000
	10			
	15			
	20			
4 TON AC HIGH STATIC	5	1600	1200	2000
	10			
	15			
	20			
5 TON AC STD STATIC	5	1625	1500	2500
	10			
	15			
	20			
5 TON AC HIGH STATIC	5	1625	1500	2500
	10			
	15			
	20			
6 TON AC STD STATIC	5	2000	1800	3000
	10			
	15			
	20			
	30			
6 TON AC HIGH STATIC	5	2400	1800	3000
	10			
	15			
	20			
	30			
3 TON HP STD STATIC	5	1175	900	1500
	10			
	15			
3 TON HP HIGH STATIC	5	975	900	1500
	10			
	15			
4 TON HP STD STATIC	5	1400	1200	2000
	10			
	15			
	20			
4 TON HP HIGH STATIC	5	1300	1200	2000
	10			
	15			
	20			
5 TON HP STD STATIC	5	1625	1500	2500
	10			
	15			
	20			
5 TON HP HIGH STATIC	5	1625	1500	2500
	10			
	15			
	20			
6 TON HP STD STATIC	5	1950	1800	3000
	10			
	15			
	20			
	30			
6 TON HP HIGH STATIC	5	1950	1800	3000
	10			
	15			
	20			
	30			





**WARNING**

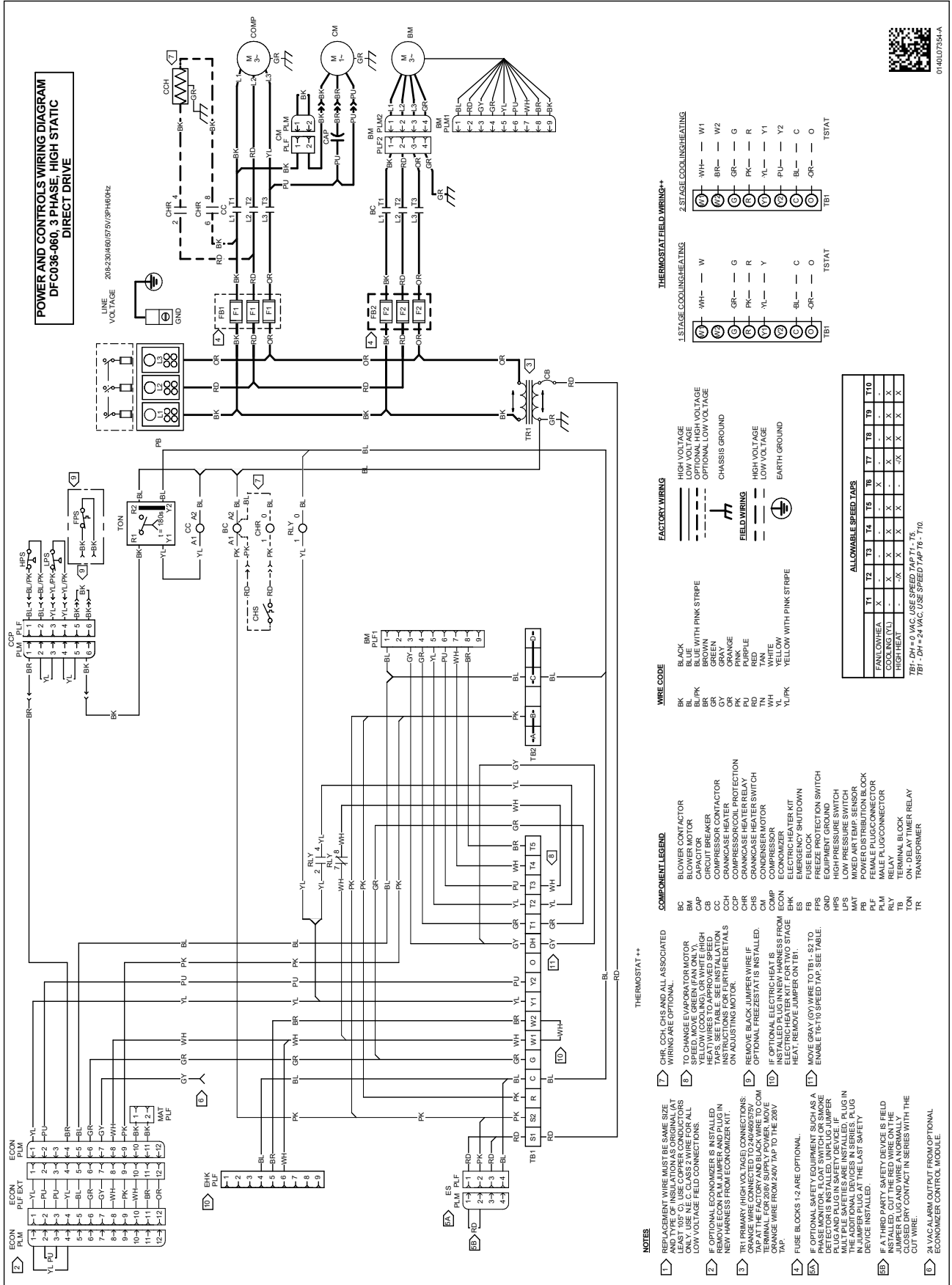
**HIGH VOLTAGE!**  
DISCONNECT ALL POWER BEFORE SERVICING OR INSTALLING THIS UNIT. MULTIPLE POWER SOURCES MAY BE PRESENT. FAILURE TO DO SO MAY CAUSE PROPERTY DAMAGE, PERSONAL INJURY OR DEATH.



Wiring is subject to change. Always refer to the wiring diagram on the unit for the most up-to-date wiring.

**WARNING**

**HIGH VOLTAGE!**  
DISCONNECT ALL POWER BEFORE SERVICING OR INSTALLING THIS UNIT. MULTIPLE POWER SOURCES MAY BE PRESENT. FAILURE TO DO SO MAY CAUSE PROPERTY DAMAGE, PERSONAL INJURY OR DEATH.



Wiring is subject to change. Always refer to the wiring diagram on the unit for the most up-to-date wiring.



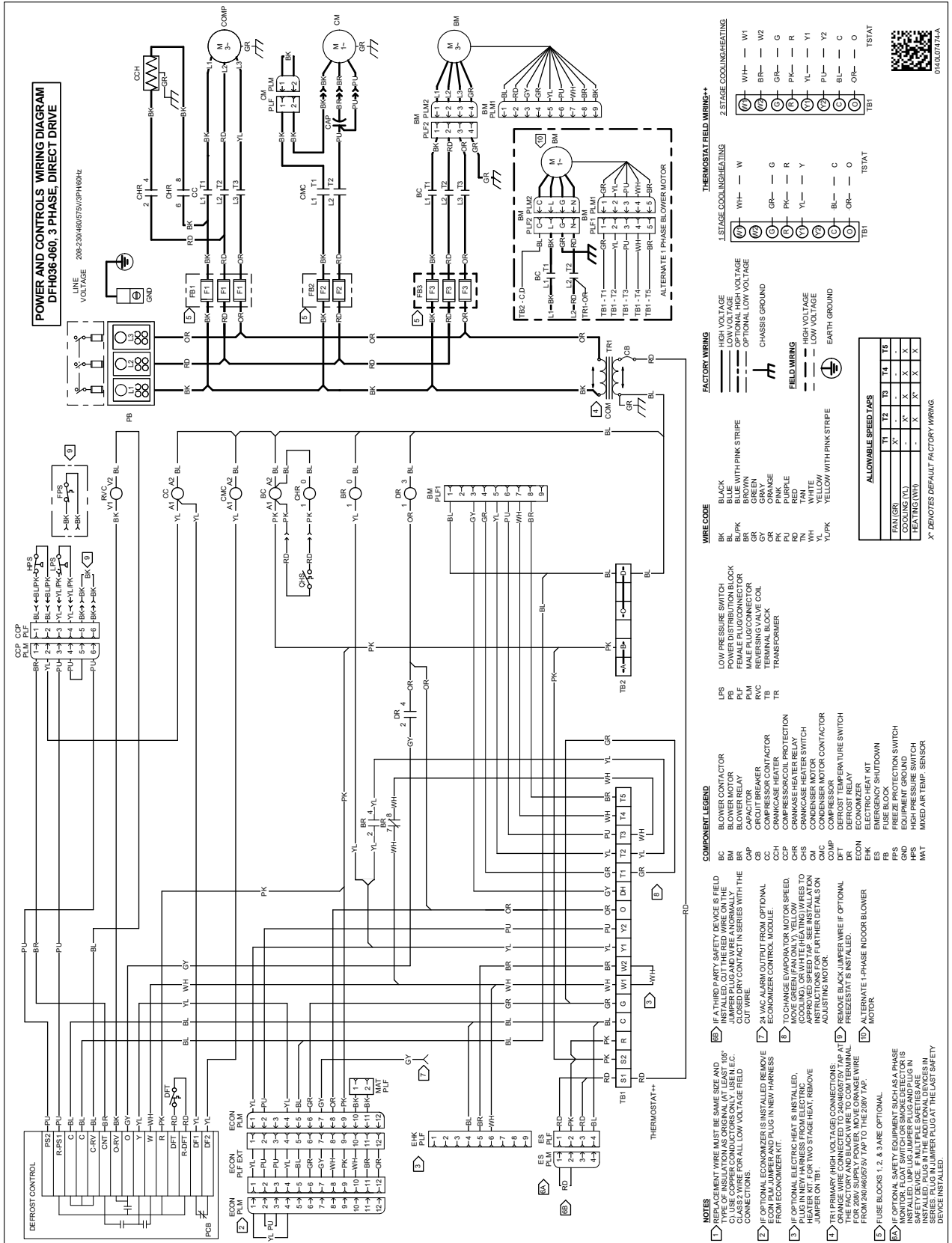


# WIRING DIAGRAM

# DFH036-060, 3 PHASE, STD STATIC

**WARNING**

**HIGH VOLTAGE!**  
DISCONNECT ALL POWER BEFORE SERVICING OR INSTALLING THIS UNIT. MULTIPLE POWER SOURCES MAY BE PRESENT. FAILURE TO DO SO MAY CAUSE PROPERTY DAMAGE, PERSONAL INJURY OR DEATH.



Wiring is subject to change. Always refer to the wiring diagram on the unit for the most up-to-date wiring.

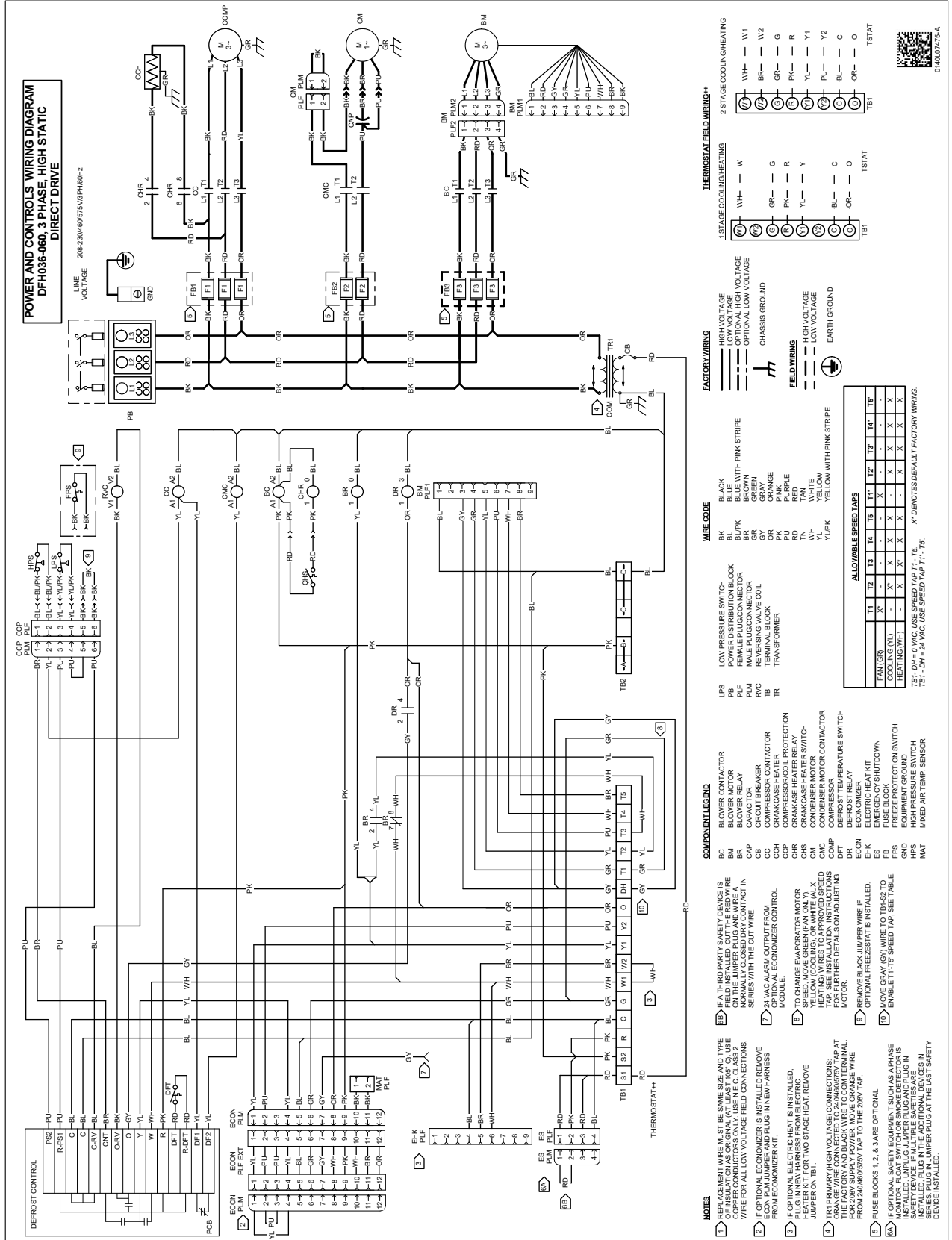


# WIRING DIAGRAM

# DFH036-060, 3 PHASE, HIGH STATIC

**WARNING**

**HIGH VOLTAGE!**  
DISCONNECT ALL POWER BEFORE SERVICING OR INSTALLING THIS UNIT. MULTIPLE POWER SOURCES MAY BE PRESENT. FAILURE TO DO SO MAY CAUSE PROPERTY DAMAGE, PERSONAL INJURY OR DEATH.



Wiring is subject to change. Always refer to the wiring diagram on the unit for the most up-to-date wiring.





# Start-up Checklist

*\*Store in job file*

Date: \_\_\_\_\_ Location: \_\_\_\_\_  
Model Number: \_\_\_\_\_  
Serial Number: \_\_\_\_\_  
Technician: \_\_\_\_\_ Unit #: \_\_\_\_\_

## Pre Start-Up

*(Check each item as completed)*

- Verify all packaging material has been removed.
- Remove all shipping brackets per installation instructions.
- Verify the job site voltage agrees with the unit serial plate.
- Verify condensate connection is installed per installation instructions.
- Verify proper clearance around the unit for safety, service, maintenance and proper unit operation.
- Verify proper weatherproofing of all ductwork, roof curbs and electrical connections.
- Check that the flue screen is in place.
- Check gas piping for leaks.
- Verify gas pressure to the unit is within the range specified on the serial plate.
- Check to ensure that all fans, pulleys and wheels are secure.
- Check for proper belt tension and alignment per installation instructions.
- Check refrigerant piping for rubbing and leaks. *Repair if necessary.*
- Check unit wiring to ensure it is not in contact with refrigerant piping or sharp metal edges.
- Check all electrical connections and terminals. *Tighten as needed.*
- Verify that the crankcase heaters have been energized for 24 hours.
- Verify the scroll compressor(s) are rotating in the right direction.
- Verify all accessories are installed and operating correctly.
- Check filters and replace if necessary.
- Verify the installation of the thermostat.



# Start-up Checklist

**Start-Up**  
*(Insert the values as each item is completed.)*

**ELECTRICAL**

Supply Voltage	L1 - L2	_____	L2 - L3	_____	L3 - L1	_____
Circuit 1 Compressor Amps	L1	_____	L2	_____	L3	_____
Circuit 2 Compressor Amps	L1	_____	L2	_____	L3	_____
Blower Amps	L1	_____	L2	_____	L3	_____
Condenser Fan Amps	Fan 1	_____	Fan 2	_____	Fan 3	_____

**BLOWER EXTERNAL STATIC PRESSURE**

Return Air Static Pressure	_____	IN. W.C.
Supply Air Static Pressure	_____	IN. W.C.
Total External Static Pressure	_____	IN. W.C.
Blower Wheel RPM	_____	RPM

**TEMPERATURES**

Outdoor Air Temperature	_____	DB	_____	WB
Return Air Temperature	_____	DB	_____	WB
Cooling Supply Air Temperature	_____	DB	_____	WB
Heating Supply Air Temperature	_____	DB	_____	

**PRESSURES**

Gas Inlet Pressure	_____	IN. W.C.		
Gas Manifold Pressure	_____	IN. W.C. (Low Fire)	_____	IN. W.C. (High Fire)
Suction Circuit 1	_____	PSIG	_____	°F
Superheat (Orifice System)			_____	°F
Suction Circuit 2	_____	PSIG	_____	°F
Superheat (Orifice System)			_____	°F
Discharge Circuit 1	_____	PSIG	_____	°F
Subcooling (TXV System)			_____	°F
Discharge Circuit 2	_____	PSIG	_____	°F
Subcooling (TXV System)			_____	°F

**(HEAT PUMP ONLY)**

Suction Circuit 1	_____	PSIG	_____	°F
Suction Circuit 2	_____	PSIG	_____	°F
Discharge Circuit 1	_____	PSIG	_____	°F
Discharge Circuit 2	_____	PSIG	_____	°F

**THIS PAGE LEFT INTENTIONALLY BLANK.**

**THIS PAGE LEFT INTENTIONALLY BLANK.**

**THIS PAGE LEFT INTENTIONALLY BLANK.**



**CUSTOMER FEEDBACK**

Daikin is very interested in all product comments.

Please fill out the feedback form on the following link:

<https://daikincomfort.com/contact-us>

You can also scan the QR code on the right to be directed to the feedback page.



Our continuing commitment to quality products may mean a change in specifications without notice.

© 2021-2022 **DAIKIN COMFORT TECHNOLOGIES MANUFACTURING, L.P.**

19001 Kermier Rd. Waller, TX 77484

[www.daikincomfort.com](http://www.daikincomfort.com)