

Air-Conditioners

PEAD-A09,12,15,18,24,30,36AA8

INSTALLATION MANUAL

FOR INSTALLER

For safe and correct use, please read this installation manual thoroughly before installing the air-conditioner unit.

English

MANUEL D'INSTALLATION

POUR L'INSTALLATEUR

Veillez lire le manuel d'installation en entier avant d'installer ce climatiseur pour éviter tout accident et vous assurer d'une utilisation correcte.

Français

MANUAL DE INSTALACIÓN

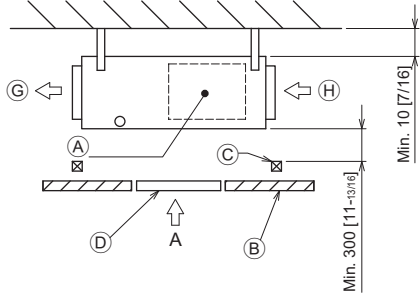
PARA EL INSTALADOR

Para un uso seguro y correcto, lea detalladamente este manual de instalación antes de montar la unidad de aire acondicionado.

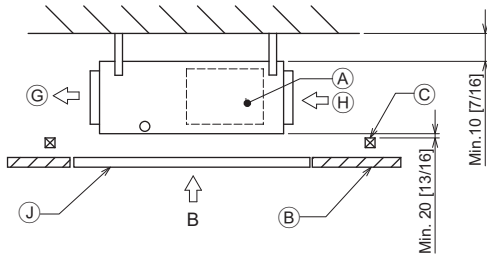
Español



[Fig. 3-2-1]

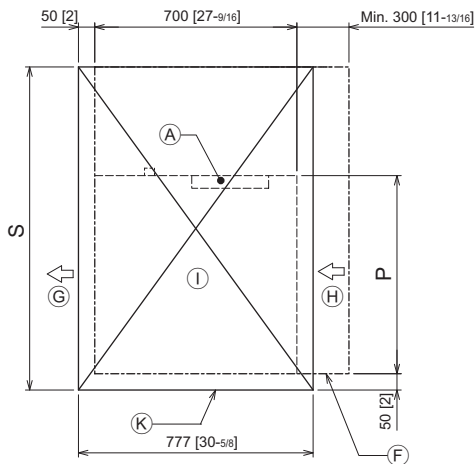


[Fig. 3-2-3]



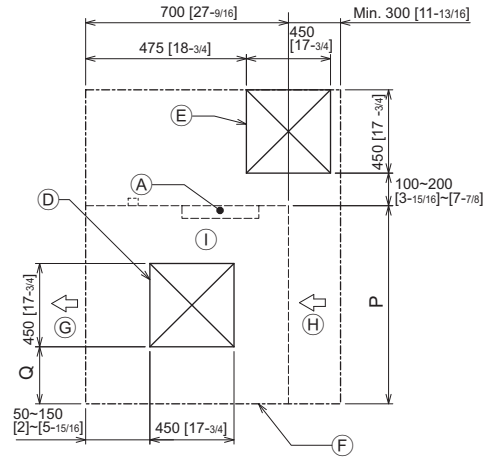
[Fig. 3-2-5]

(Viewed from the direction of the arrow B)



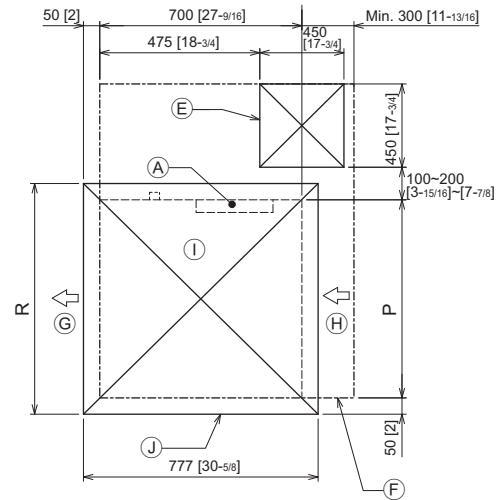
[Fig. 3-2-2]

(Viewed from the direction of the arrow A)



[Fig. 3-2-4]

(Viewed from the direction of the arrow B)



- (A) Electric box
- (B) Ceiling
- (C) Ceiling beam
- (D) Access door 2 (450 mm x 450 mm [17-3/4 in x 17-3/4 in])
- (E) Access door 1 (450 mm x 450 mm [17-3/4 in x 17-3/4 in])
- (F) Maintenance access space
- (G) Supply air
- (H) Intake air
- (I) Bottom of indoor unit
- (J) Access door 3
- (K) Access door 4

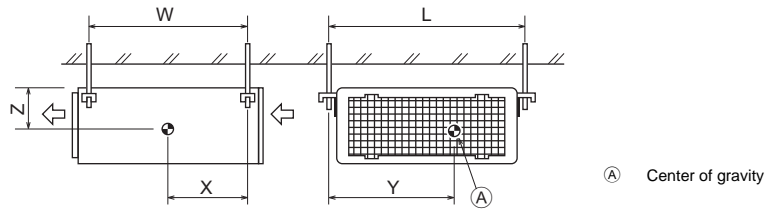
(Unit: mm [in])

Model	P	Q	R	S
PEAD-A09, 12, 15, 18AA8	900 [35-7/16]	150-250 [5-15/16]-[9-7/8]	1000 [39-3/8]	1500 [59-1/16]
PEAD-A24, 30AA8	1100 [43-5/16]	250-350 [9-7/8]-[13-13/16]	1200 [47-1/4]	1700 [66-15/16]
PEAD-A36AA8	1400 [55-1/8]	400-500 [15-3/4]-[19-11/16]	1500 [59-1/16]	2000 [78-3/4]

4

4.1

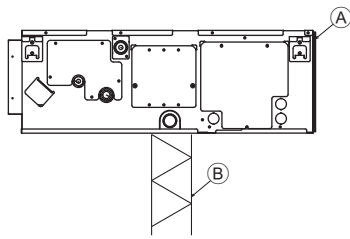
[Fig. 4-1-1]



5

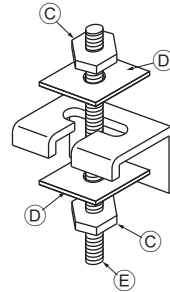
5.1

[Fig. 5-1-1]



- Ⓐ Unit body
- Ⓑ Lifting machine

[Fig. 5-1-2]

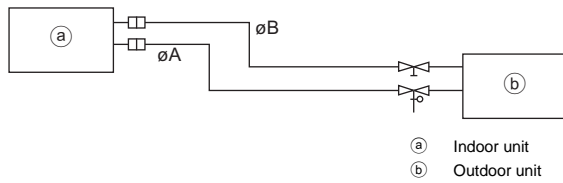


- Ⓒ Nuts (field supply)
- Ⓓ Washers (accessory)
- Ⓔ M10 hanging bolt (field supply)

6

6.1

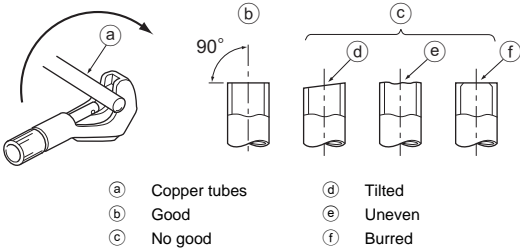
[Fig. 6-1-1]



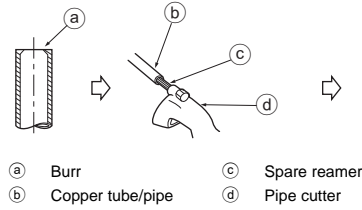
(Unit: mm [in])

Model	A	B
PEAD-A09AA8	ø9.52 [3/8]	ø6.35 [1/4]
PEAD-A12, 15, 18AA8	ø12.7 [1/2]	ø6.35 [1/4]
PEAD-A24, 30, 36AA8	ø15.88 [5/8]	ø9.52 [3/8]

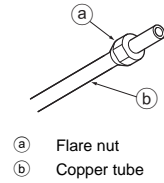
[Fig. 6-2-1]



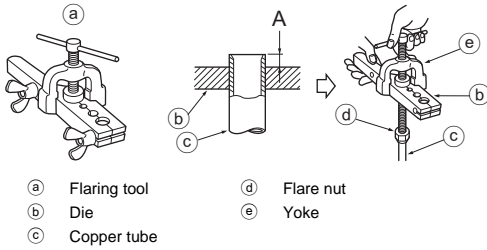
[Fig. 6-2-2]



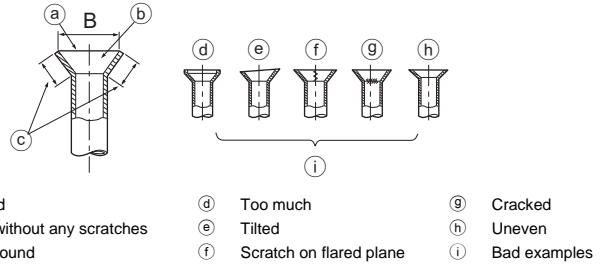
[Fig. 6-2-3]



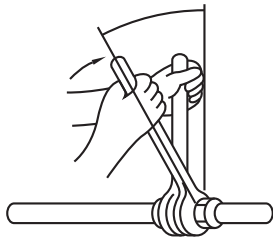
[Fig. 6-2-4]



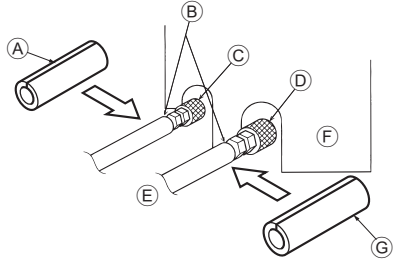
[Fig. 6-2-5]



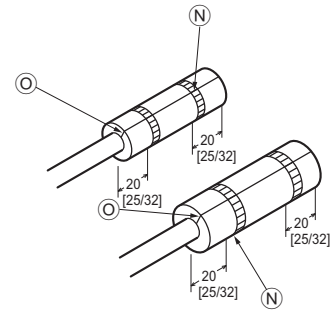
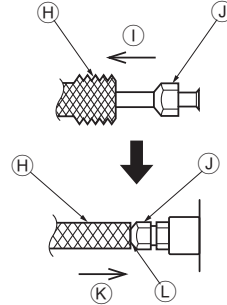
[Fig. 6-3-1]



[Fig. 6-3-2]



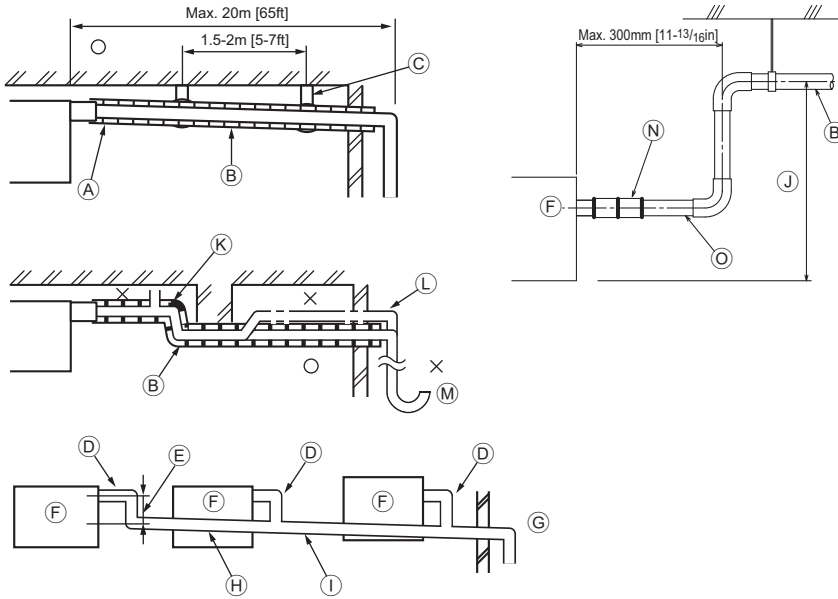
(Unit: mm [in])



- (A) Pipe cover (small) (accessory)
- (B) Caution:
Pull out the thermal insulation on the refrigerant piping at the site, insert the flare nut to flare the end, and replace the insulation in its original position.
Take care to ensure that condensation does not form on exposed copper piping.
- (C) Liquid end of refrigerant piping
- (D) Gas end of refrigerant piping
- (E) Site refrigerant piping
- (F) Main body

- (G) Pipe cover (large) (accessory)
- (H) Thermal insulation (field supply)
- (I) Pull
- (J) Flare nut
- (K) Return to original position
- (L) Ensure that there is no gap here
- (M) Plate on main body
- (N) Band (accessory)
- (O) Ensure that there is no gap here. Place join upwards.

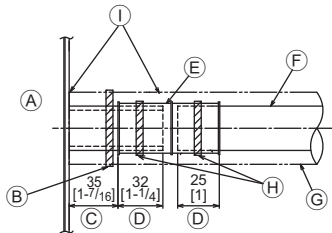
[Fig. 6-5-1]



- Correct piping
 - × Wrong piping
 - Ⓐ Insulation (9 mm [3/8 in] or more)
 - Ⓑ Downward slope (1/100 or more)
 - Ⓒ Support metal
 - Ⓚ Air bleeder
 - Ⓛ Raised
 - Ⓜ Odor trap
- Grouped piping
- Ⓓ O. D. ø32 mm [1-1/4 in] PVC TUBE
 - Ⓔ Make it as large as possible. About 10 cm [3-15/16 in].
 - Ⓕ Indoor unit
 - Ⓖ Make the piping size large for grouped piping.
 - Ⓗ Downward slope (1/100 or more)
 - Ⓛ O. D. ø38 mm [1-1/2 in] PVC TUBE for grouped piping. (9 mm [3/8 in] or more insulation)
 - Ⓜ Up to 700 mm [27-9/16 in]
 - Ⓝ Drain hose (accessory)
 - Ⓞ Horizontal or slightly upgradient

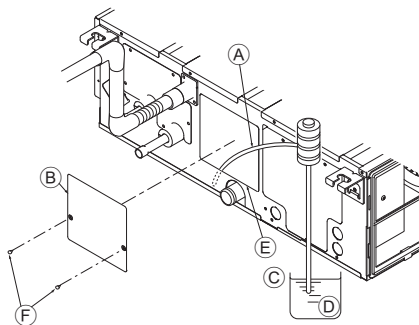
[Fig. 6-5-2]

(Unit: mm [in])



- Ⓐ Indoor unit
- Ⓑ Tie band (accessory)
- Ⓒ Visible part
- Ⓓ Insertion margin
- Ⓔ Drain hose (accessory)
- Ⓕ Drain pipe (O.D. ø32 mm [1-1/4 in] PVC TUBE, field supply)
- Ⓖ Insulating material (field supply)
- Ⓗ Tie band (accessory)
- Ⓛ To be gap free. The joint section of the insulation material meet must be at the top.

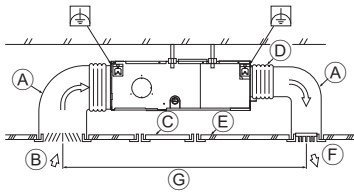
[Fig. 6-6-1]



- Ⓐ Insert pump's end 2 to 4 cm [13/16 to 1-5/8 in].
- Ⓑ Remove the water supply port.
- Ⓒ About 2500 cc
- Ⓓ Water
- Ⓔ Filling port
- Ⓕ Screw

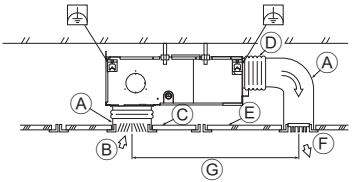
[Fig. 7-0-1]

<A> In case of rear inlet

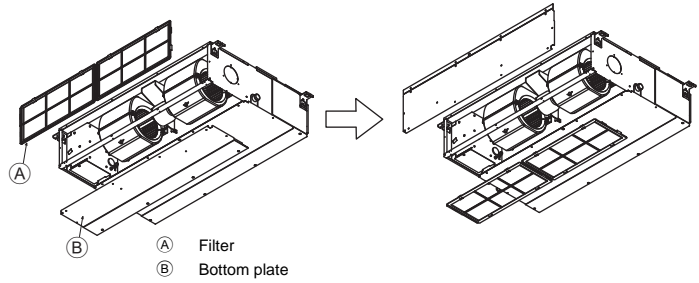


- (A) Duct
- (B) Air inlet
- (C) Access door
- (D) Canvas duct
- (E) Ceiling surfas
- (F) Air outlet
- (G) Leave distance enough to prevent short cycle

 In case of bottom inlet

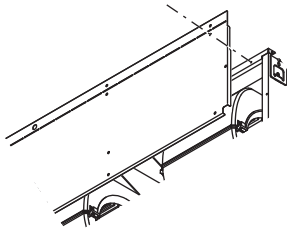


[Fig. 7-0-2]

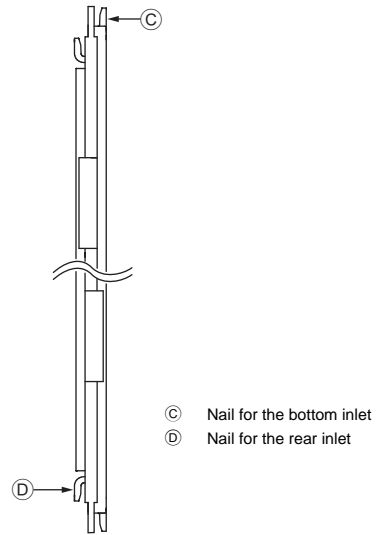


- (A) Filter
- (B) Bottom plate

[Fig. 7-0-3]

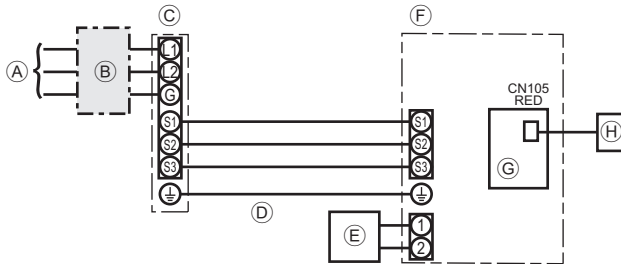


[Fig. 7-0-4]



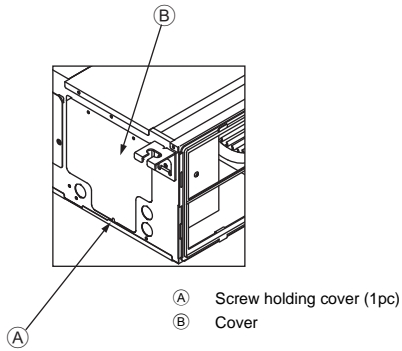
- (C) Nail for the bottom inlet
- (D) Nail for the rear inlet

[Fig. 8-1-1]

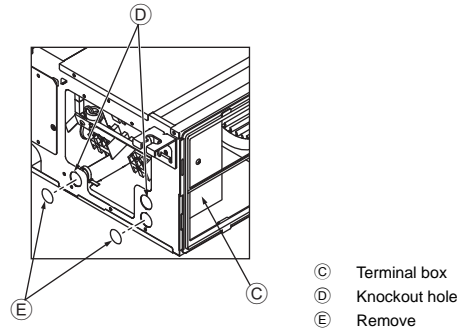


- (A) Outdoor unit power supply
- (B) Isolating switch
- (C) Outdoor unit
- (D) Indoor unit/outdoor unit connecting cords
- (E) Wired remote controller
- (F) Indoor unit
- (G) Indoor controller board
- (H) Radio frequency interface for RF thermostat

[Fig. 8-2-1]

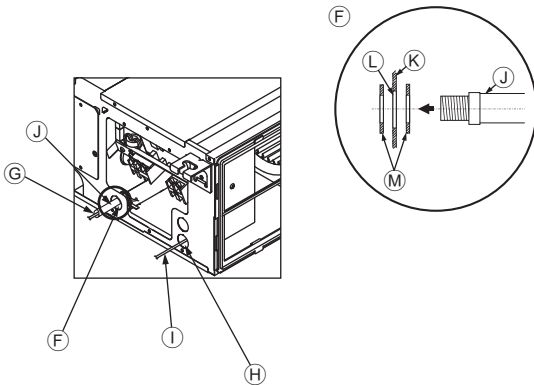


[Fig. 8-2-2]



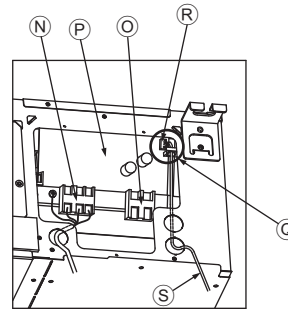
- C Terminal box
- D Knockout hole
- E Remove

[Fig. 8-2-3]



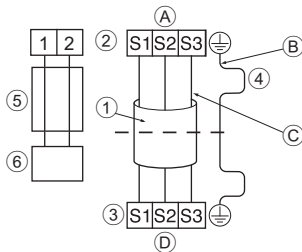
- F Use PG bushing to keep the weight of the cable and external force from being applied to the power supply terminal connector. Use a cable tie to secure the cable.
- G Power source wiring
- H Use ordinary bushing
- I Transmission wiring
- J Conduit
- K Side frame
- L Knockout hole (for power source wiring)
- M Washer (accessory)

[Fig. 8-2-4]



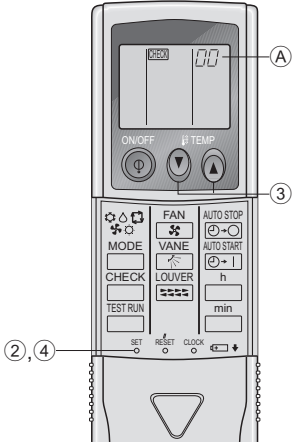
- N Terminal block for power source and indoor transmission
- O Terminal block for wired remote controller
- P Indoor controller board
- Q Radio frequency interface is installed on Indoor controller board
- R CN105 (RED/5P)
- S Wiring for radio frequency interface

[Fig. 8-2-5]



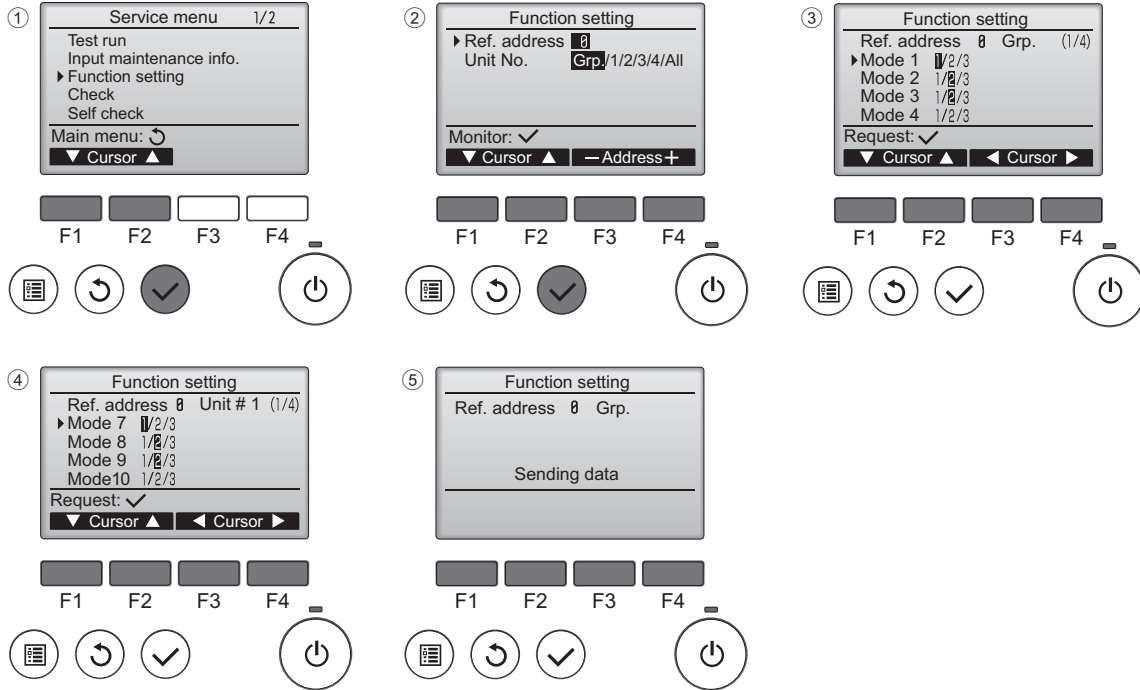
- A Indoor terminal block
- B Earth wire (green/yellow)
- C Indoor/outdoor unit connecting wire 3-core 1.5 mm² [AWG 16] or more
- D Outdoor terminal block
- ① Connecting cable Cable 3-core 1.5 mm² [AWG 16], in conformity with Design 245 IEC 57.
- ② Indoor terminal block
- ③ Outdoor terminal block
- ④ Always install an earth wire (1-core 1.5 mm² [AWG 16]) longer than other cables
- ⑤ Wired remote controller cable Wire No x size (mm²) : Cable 2C x 0.3 This wire accessory of remote controller (wire length : 10 m [32 ft], non-polar. Max. 500 m [1640 ft])
- ⑥ Wired remote controller

[Fig. 8-3-1]

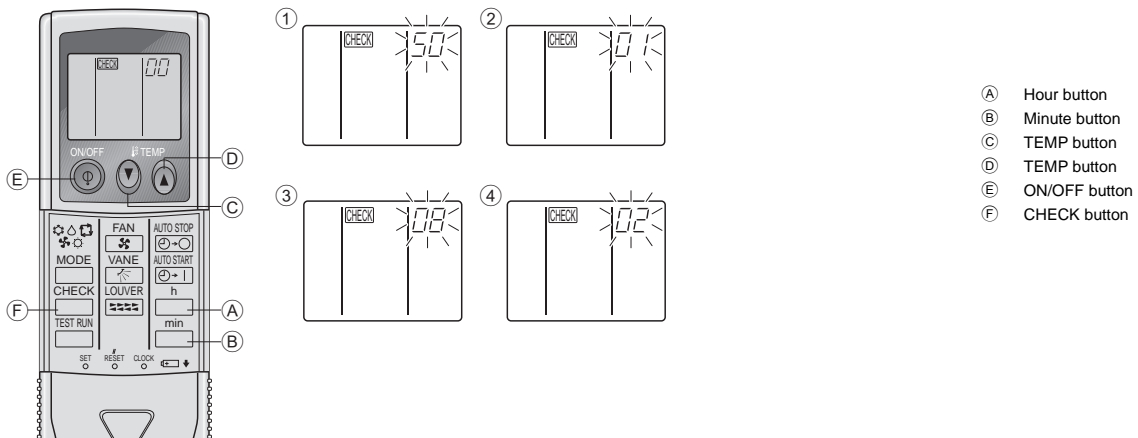


8.4

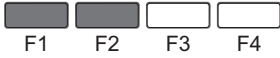
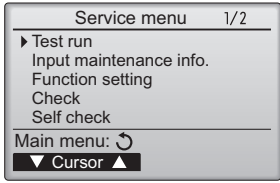
[Fig. 8-4-1]



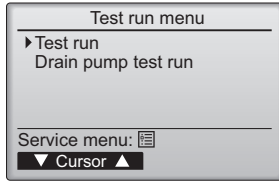
[Fig. 8-4-2]



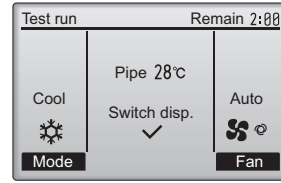
[Fig. 9-2-1]



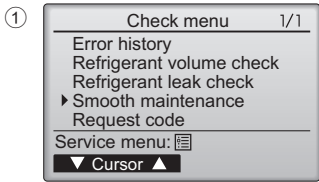
[Fig. 9-2-2]



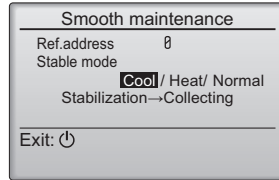
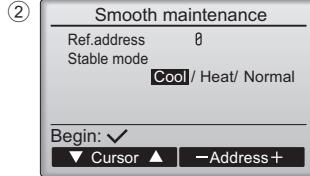
[Fig. 9-2-3]



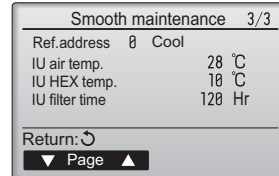
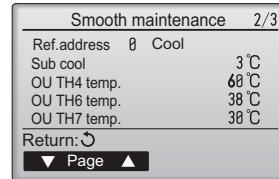
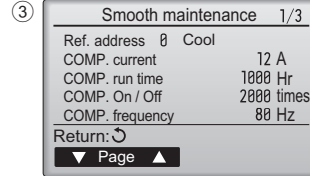
[Fig. 10-0-1]



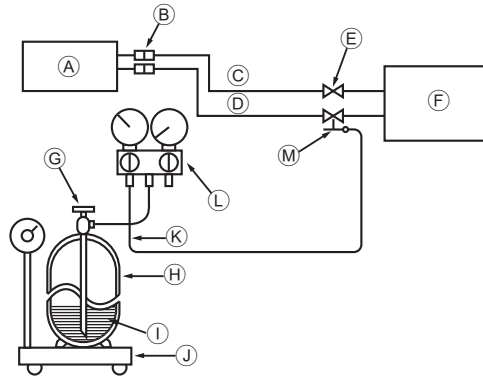
[Fig. 10-0-2]



[Fig. 10-0-3]



[Fig. 11-1-1]



- | | |
|--|--|
| (A) Indoor unit | (H) Refrigerant gas cylinder for R410A with siphon |
| (B) Union | (I) Refrigerant (liquid) |
| (C) Liquid pipe | (J) Electronic scale for refrigerant charging |
| (D) Gas pipe | (K) Charge hose (for R410A) |
| (E) Stop valve | (L) Gauge manifold valve (for R410A) |
| (F) Outdoor unit | (M) Service port |
| (G) Refrigerant gas cylinder operating valve | |

Contents

1. Safety precautions	11	9. Test run.....	18
2. Selecting the installation location.....	12	10. Easy maintenance function.....	21
3. Selecting an installation site & Accessories.....	12	11. Maintenance	22
4. Fixing hanging bolts.....	12		
5. Installing the unit.....	13		
6. Refrigerant piping work.....	13		
7. Duct work.....	15		
8. Electrical work.....	16		

This Installation Manual describes only for the indoor unit and the connected outdoor unit of PUHZ series.
If the connected outdoor unit is MXZ series, refer to the Installation Manual for MXZ series.

1. Safety precautions

- Please report to or take consent by the supply authority before connection to the system.
- Be sure to read "Safety precautions" before installing the air conditioner.
- Be sure to observe the cautions specified here as they include important items related to safety.
- The indications and meanings are as follows.

⚠ Warning:

Could lead to death, serious injury, etc.

⚠ Caution:

Could lead to serious injury in particular environments when operated incorrectly.

- After reading this manual, be sure to keep it together with the instruction manual in a handy place on the customer's site.

⚠ Warning:

- Do not install it by yourself (customer).

Incomplete installation could cause injury due to fire, electric shock, the unit falling or leakage of water. Consult the dealer from whom you purchased the unit or special installer.

- Install the unit securely in a place which can bear the weight of the unit.
When installed in an insufficient strong place, the unit could fall causing injured.
- Use the specified wires to connect the indoor and outdoor units securely and attach the wires firmly to the terminal board connecting sections so the stress of the wires is not applied to the sections.
Incomplete connecting and fixing could cause fire.
- Do not use intermediate connection of the power cord or the extension cord and do not connect many devices to one AC outlet.
It could cause a fire or an electric shock due to defective contact, defective insulation, exceeding the permissible current, etc.
- Check that the refrigerant gas does not leak after installation has completed.

⚠ Caution:

- Do not use the unit in an unusual environment. If the air conditioner is installed in areas exposed to steam, volatile oil (including machine oil), or sulfuric gas, areas exposed to high salt content such as the seaside, the performance can be significantly reduced and the internal parts can be damaged.
- Do not install the unit where combustible gases may leak, be produced, flow, or accumulate. If combustible gas accumulates around the unit, fire or explosion may result.
- Do not keep food, plants, caged pets, artwork, or precision instruments in the direct airflow of the indoor unit or too close to the unit, as these items can be damaged by temperature changes or dripping water.
- When the room humidity exceeds 80% or when the drainpipe is clogged, water may drip from the indoor unit. Do not install the indoor unit where such dripping can cause damage.
- When installing the unit in a hospital or communications office, be prepared for noise and electronic interference. Inverters, home appliances, high-frequency medical equipment, and radio communications equipment can cause the air conditioner to malfunction or breakdown. The air conditioner may also affect medical equipment, disturbing medical care, and communications equipment, harming the screen display quality.
- Perform grounding.
Do not connect the ground wire to a gas pipe, water pipe arrester or telephone ground wire. Defective grounding could cause an electric shock.
- Do not install the unit in a place where an inflammable gas leaks.
If gas leaks and accumulates in the area surrounding the unit, it could cause an explosion.

Symbols put on the unit

⊘ : Indicates an action that must be avoided.

⚠ : Indicates that important instructions must be followed.

⚡ : Indicates a part which must be grounded.

⚠ : Indicates that caution should be taken with rotating parts.

⚡ : Indicates that the main switch must be turned off before servicing.

⚠ : Beware of electric shock.

⚠ : Beware of hot surface.

⚠ Warning:

Carefully read the labels affixed to the main unit.

- Perform the installation securely referring to the installation manual.
Incomplete installation could cause a personal injury due to fire, electric shock, the unit falling or leakage of water.
- Perform electrical work according to the installation manual and be sure to use an exclusive circuit.
If the capacity of the power circuit is insufficient or there is incomplete electrical work, it could result in a fire or an electric shock.
- Attach the electrical part cover to the indoor unit and the service panel to the outdoor unit securely.
If the electrical part cover in the indoor unit and/or the service panel in the outdoor unit are not attached securely, it could result in a fire or an electric shock due to dust, water, etc.
- Be sure to use the part provided or specified parts for the installation work.
The use of defective parts could cause an injury or leakage of water due to a fire, an electric shock, the unit falling, etc.
- Ventilate the room if refrigerant leaks during operation.
If the refrigerant comes in contact with a flame, poisonous gases will be released.

- Take measures to prevent electrical leakage as required.
- Perform the drainage/piping work securely according to the installation manual.
If there is a defect in the drainage/piping work, water could drop from the unit and household goods could be wet and damaged.
- Fasten a flare nut with a torque wrench as specified in this manual.
When fastened too tight, a flare nut may broken after a long period and cause a leakage of refrigerant.

2. Selecting the installation location

2.1. Indoor unit

- Where airflow is not blocked.
- Where cool air spreads over the entire room.
- Where it is not exposed to direct sunshine.
- At a distance 1 m [3-1/4 ft] or more away from your TV and radio (to prevent picture from being distorted or noise from being generated).

- In a place as far away as possible from fluorescent and incandescent lights (so the infrared remote control can operate the air conditioner normally).
- Where the air filter can be removed and replaced easily.

⚠ Warning:

Mount the indoor unit into a ceiling strong enough to withstand the weight of the unit.

2.2. Outdoor unit

Refer to the outdoor unit installation manual.

3. Selecting an installation site & Accessories

- Select a site with sturdy fixed surface sufficiently durable against the weight of unit.
- Before installing unit, the routing to carry in unit to the installation site should be determined.
- Select a site where the unit is not affected by entering air.
- Select a site where the flow of supply and return air is not blocked.
- Select a site where refrigerant piping can easily be led to the outside.
- Select a site which allows the supply air to be distributed fully in room.
- Do not install unit at a site with oil splashing or steam in much quantity.
- Do not install unit at a site where combustible gas may generate, flow in, stagnate or leak.
- Do not install unit at a site where equipment generating high frequency waves (a high frequency wave welder for example) is provided.
- Do not install unit at a site where fire detector is located at the supply air side. (Fire detector may operate erroneously due to the heated air supplied during heating operation.)
- Avoid places where acidic solutions are frequently handled.
- Avoid places where sulphur-based or other sprays are frequently used.
- When special chemical product may scatter around such as site chemical plants and hospitals, full investigation is required before installing unit. (The plastic components may be damaged depending on the chemical product applied.)
- If the unit is run for long hours when the air above the ceiling is at high temperature/high humidity (dew point above 26 °C [79 °F]), due condensation may be produced in the indoor unit. When operating the units in this condition, add insulation material (10-20 mm [13/32 to 13/16 in]) to the entire surface of the indoor unit to avoid due condensation.

(1) When a space of 300 mm [11-13/16 in] or more is available below the unit between the unit and the ceiling (Fig. 3-2-1)

- Create access door 1 and 2 (450 × 450 mm [17-3/4 × 17-3/4 in] each) as shown in Fig. 3-2-2. (Access door 2 is not required if enough space is available below the unit for a maintenance worker to work in.)

(2) When a space of less than 300 mm [11-13/16 in] is available below the unit between the unit and the ceiling (At least 20 mm [13/16 in] of space should be left below the unit as shown in Fig. 3-2-3.)

- Create access door 1 diagonally below the electric box and access door 3 below the unit as shown in Fig. 3-2-4.
- or
- Create access door 4 below the electric box and the unit as shown in Fig. 3-2-5.

[Fig. 3-2-1] (P.2)

[Fig. 3-2-2] (Viewed from the direction of the arrow A) (P.2)

[Fig. 3-2-3] (P.2)

[Fig. 3-2-4] (Viewed from the direction of the arrow B) (P.2)

[Fig. 3-2-5] (Viewed from the direction of the arrow B) (P.2)

- Ⓐ Electric box
- Ⓑ Ceiling
- Ⓒ Ceiling beam
- Ⓓ Access door 2 (450 mm × 450 mm [17-3/4 in × 17-3/4 in])
- Ⓔ Access door 1 (450 mm × 450 mm [17-3/4 in × 17-3/4 in])
- Ⓕ Maintenance access space
- Ⓖ Supply air
- Ⓗ Intake air
- Ⓘ Bottom of indoor unit
- Ⓙ Access door 3
- Ⓚ Access door 4

3.1. Install the indoor unit on a ceiling strong enough to sustain its weight

⚠ Warning:

The unit must be securely installed on a structure that can sustain its weight. If the unit is mounted on an unstable structure, it may fall down causing injuries.

3.2. Securing installation and service space

Secure enough access space to allow for the maintenance, inspection, and replacement of the motor, fan, drain pump, heat exchanger, and electric box in one of the following ways.

Select an installation site for the indoor unit so that its maintenance access space will not be obstructed by beams or other objects.

3.3. Indoor unit accessories

The unit is provided with the following accessories:

No.	Name	Quantity
①	Pipe cover (for refrigerant piping joint) Small diameter	1
②	Pipe cover (for refrigerant piping joint) Large diameter	1
③	Bands for temporary tightening of pipe cover and drain hose	8
④	Washer (square)	8
⑤	Drain hose	2
⑥	Washer (round)	2
⑦	Installation manual	1
⑧	Operation manual	1

4. Fixing hanging bolts

4.1. Fixing hanging bolts

[Fig. 4-1-1] (P.3)

- Ⓐ Center of gravity

(Give site of suspension strong structure.)

Hanging structure

- Ceiling: The ceiling structure varies from building to one another. For detailed information, consult your construction company.

Center of gravity and Product Weight

Model name	W mm [in]	L mm [in]	X mm [in]	Y mm [in]	Z mm [in]	Product Weight kg [lb]
PEAD-A09AA8	643 [25-5/16]	954 [37-9/16]	340 [13-3/8]	375 [14-3/4]	130 [5-1/8]	26 [58]
PEAD-A12AA8	643 [25-5/16]	954 [37-9/16]	340 [13-3/8]	375 [14-3/4]	130 [5-1/8]	26 [58]
PEAD-A15AA8	643 [25-5/16]	954 [37-9/16]	340 [13-3/8]	375 [14-3/4]	130 [5-1/8]	27 [60]
PEAD-A18AA8	643 [25-5/16]	954 [37-9/16]	340 [13-3/8]	375 [14-3/4]	130 [5-1/8]	27 [60]
PEAD-A24AA8	643 [25-5/16]	1154 [45-7/16]	325 [12-13/16]	525 [20-11/16]	130 [5-1/8]	30 [67]
PEAD-A30AA8	643 [25-5/16]	1154 [45-7/16]	325 [12-13/16]	525 [20-11/16]	130 [5-1/8]	30 [67]
PEAD-A36AA8	643 [25-5/16]	1454 [57-1/4]	330 [13]	675 [26-9/16]	130 [5-1/8]	38 [84]

- If necessary, reinforce the hanging bolts with anti-quake supporting members as countermeasures against earthquakes.

* Use M10 for hanging bolts and anti-quake supporting members (field supply).

- ① Reinforcing the ceiling with additional members (edge beam, etc.) must be required to keep the ceiling at level and to prevent the ceiling from vibrations.
- ② Cut and remove the ceiling members.
- ③ Reinforce the ceiling members, and add other members for fixing the ceiling boards.

5. Installing the unit

5.1. Hanging the unit body

- ▶ Bring the indoor unit to an installation site as it is packed.
- ▶ To hang the indoor unit, use a lifting machine to lift and pass through the hanging bolts.

[Fig. 5-1-1] (P.3)

- Ⓐ Unit body
- Ⓑ Lifting machine

[Fig. 5-1-2] (P.3)

- Ⓒ Nuts (field supply)
- Ⓓ Washers (accessory)
- Ⓔ M10 hanging bolt (field supply)

5.2. Confirming the unit's position and fixing hanging bolts

- ▶ Ensure that the hanging bolt nuts are tightened to fix the hanging bolts.
- ▶ To ensure that drain is discharged, be sure to hang the unit at level using a level.

⚠ **Caution:**

Install the unit in horizontal position. If the side with drain port is installed higher, water leakage may be caused.

6. Refrigerant piping work

6.1. Refrigerant pipe

[Fig. 6-1-1] (P.3)

- Ⓐ Indoor unit
- Ⓑ Outdoor unit

Refer to the Instruction Manual that came with the outdoor unit for the restrictions on the height difference between units and for the amount of additional refrigerant charge.

Avoid the following places for installation where air conditioner trouble is liable to occur.

- Where there is too much oil such as for machine or cooking.
- Salty environment as seaside areas.
- Hot-spring areas.
- Where sulfide gas exists.
- Other special atmospheric areas.
- This unit has flared connections on both indoor and outdoor sides. [Fig. 6-1-1]
- Refrigerant pipes are used to connect the indoor and outdoor units as shown in the figure below.
- Insulate both refrigerant and drainage piping completely to prevent condensation.

Piping preparation

- Refrigerant pipes of 3, 5, 7, 10 and 15 m [9-13/16, 16-3/8, 22-15/16, 32-1/4 and 49-3/16 ft] are available as optional items.

(1) Table below shows the specifications of pipes commercially available.

Model	Pipe	Outside diameter		Min wall thickness		Insulation thickness		Insulation material
		mm	inch	mm	inch	mm	inch	
PEAD-A09AA8	For liquid	6.35	1/4	0.8	1/32	8	5/16	Heat resisting foam plastic 0.045 specific gravity
	For gas	9.52	3/8	0.8	1/32	8	5/16	
PEAD-A12AA8	For liquid	6.35	1/4	0.8	1/32	8	5/16	
	For gas	12.7	1/2	0.8	1/32	8	5/16	
PEAD-A15AA8	For liquid	6.35	1/4	0.8	1/32	8	5/16	
	For gas	12.7	1/2	0.8	1/32	8	5/16	
PEAD-A18AA8	For liquid	6.35	1/4	0.8	1/32	8	5/16	
	For gas	12.7	1/2	0.8	1/32	8	5/16	
PEAD-A24AA8	For liquid	9.52	3/8	0.8	1/32	8	5/16	
	For gas	15.88	5/8	1.0	1/32	8	5/16	
PEAD-A30AA8	For liquid	9.52	3/8	0.8	1/32	8	5/16	
	For gas	15.88	5/8	1.0	1/32	8	5/16	
PEAD-A36AA8	For liquid	9.52	3/8	0.8	1/32	8	5/16	
	For gas	15.88	5/8	1.0	1/32	8	5/16	

(2) Ensure that the 2 refrigerant pipes are well insulated to prevent condensation.

(3) Refrigerant pipe bending radius must be 10 cm [3-15/16 in] or more.

⚠ **Caution:**

Using careful insulation of specified thickness. Excessive thickness prevents storage behind the indoor unit and smaller thickness causes dew drippage.

6.2. Flaring work

- Main cause of gas leakage is defect in flaring work.
- Carry out correct flaring work in the following procedure.

6.2.1. Pipe cutting

[Fig. 6-2-1] (P.4)

- Ⓐ Copper tubes
- Ⓑ Good
- Ⓒ No good
- Ⓓ Tilted
- Ⓔ Uneven
- Ⓕ Burred

- Using a pipe cutter cut the copper tube correctly.

6.2.2. Burrs removal

[Fig. 6-2-2] (P.4)

- Ⓐ Burr
- Ⓑ Copper tube/pipe
- Ⓒ Spare reamer
- Ⓓ Pipe cutter

- Completely remove all burrs from the cut cross section of pipe/tube.
- Put the end of the copper tube/pipe to downward direction as you remove burrs in order to avoid burrs drop in the tubing.

6.2.3. Putting nut on

[Fig. 6-2-3] (P.4)

- Ⓐ Flare nut
- Ⓑ Copper tube

- Remove flare nuts attached to indoor and outdoor unit, then put them on pipe/tube having completed burr removal.
- (not possible to put them on after flaring work)

6.2.4. Flaring work

[Fig. 6-2-4] (P.4)

- Ⓐ Flaring tool
- Ⓑ Die
- Ⓒ Copper tube
- Ⓓ Flare nut
- Ⓔ Yoke

- Carry out flaring work using flaring tool as shown below.

Pipe diameter (mm [in])	Dimension	
	A (mm [in])	B ⁺⁰ _{-0.4 [-1/32]} (mm [in])
	When the tool for R410A is used	
	Clutch type	
6.35 [1/4]	0 to 0.5 [0 to 1/32]	9.1 [3/8]
9.52 [3/8]	0 to 0.5 [0 to 1/32]	13.2 [17/32]
12.7 [1/2]	0 to 0.5 [0 to 1/32]	16.6 [21/32]
15.88 [5/8]	0 to 0.5 [0 to 1/32]	19.7 [25/32]

Firmly hold copper tube in a die in the dimension shown in the table at above.

6.2.5. Check

[Fig. 6-2-5] (P.4)

- Ⓐ Smooth all around
- Ⓑ Even length all around
- Ⓒ Tilted
- Ⓓ Cracked
- Ⓕ Bad examples
- Ⓑ Inside is shining without any scratches
- Ⓓ Too much
- Ⓕ Scratch on flared plane
- Ⓕ Uneven

- Compare the flared work with a figure in right side hand.
- If flare is noted to be defective, cut off the flared section and do flaring work again.

6. Refrigerant piping work

6.3. Pipe connection

[Fig. 6-3-1] (P.4)

- Apply a thin coat of refrigeration oil on the seat surface of pipe.
- For connection first align the center, then tighten the first 3 to 4 turns of flare nut.
- Use tightening torque table below as a guideline for indoor unit side union joint section, and tighten using two wrenches. Excessive tightening damages the flare section.

Copper pipe O.D. (mm [in])	Flare nut O.D. (mm [in])	Tightening torque (N·m)
ø6.35 [1/4]	17 [11/16]	14 - 18
ø9.52 [3/8]	22 [7/8]	34 - 42
ø12.7 [1/2]	26 [1-1/32]	49 - 61
ø15.88 [5/8]	29 [1-5/32]	68 - 82

⚠ Warning:

Be careful of flying flare nut! (Internally pressurized)

Remove the flare nut as follows:

1. Loosen the nut until you hear a hissing noise.
2. Do not remove the nut until the gas has been completely released (i.e., hissing noise stops).
3. Check that the gas has been completely released, and then remove the nut.

Outdoor unit connection

Connect pipes to stop valve pipe joint of the outdoor unit in the same manner applied for indoor unit.

- For tightening use a torque wrench or spanner, and use the same tightening torque applied for indoor unit.

Refrigerant pipe insulation

- After connecting refrigerant piping, insulate the joints (flared joints) with thermal insulation tubing as shown below.

[Fig. 6-3-2] (P.4)

Ⓐ Pipe cover (small) (accessory)

Ⓑ Caution:

Pull out the thermal insulation on the refrigerant piping at the site, insert the flare nut to flare the end, and replace the insulation in its original position.

Take care to ensure that condensation does not form on exposed copper piping.

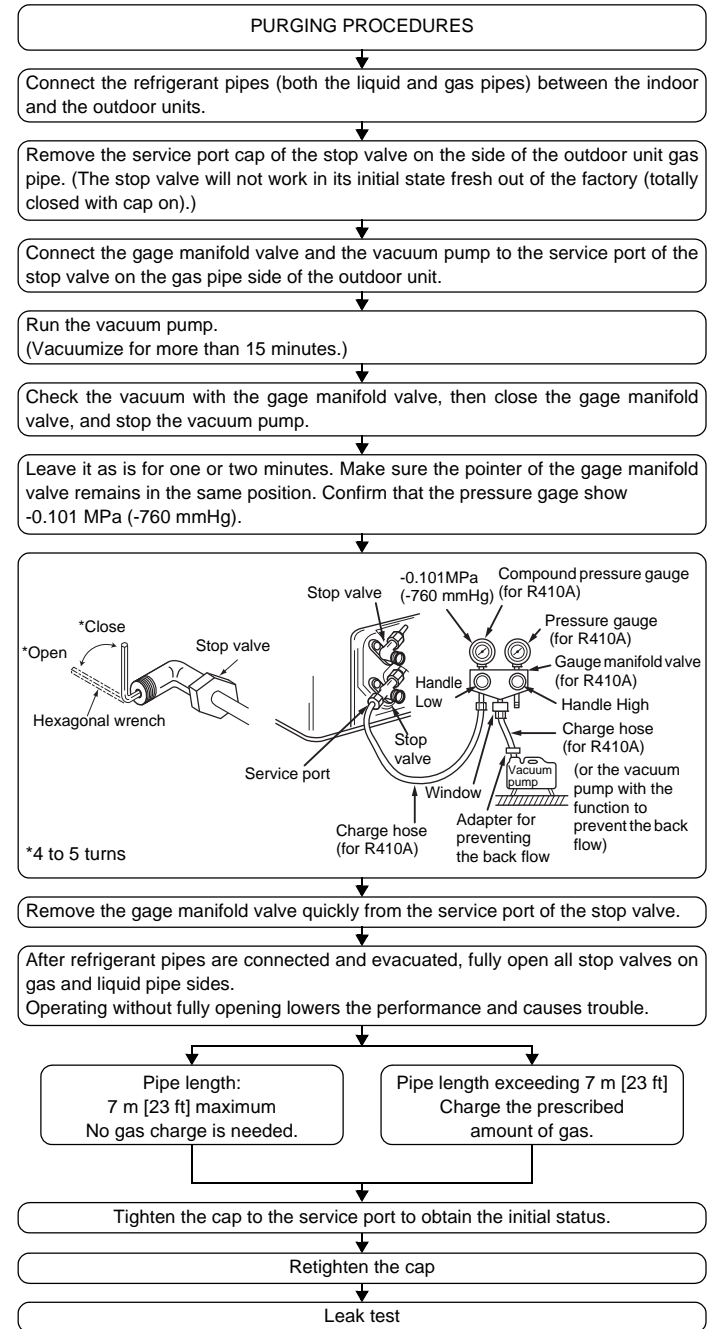
- | | |
|---|-------------------------------------|
| Ⓒ Liquid end of refrigerant piping | Ⓓ Gas end of refrigerant piping |
| Ⓔ Site refrigerant piping | Ⓕ Main body |
| Ⓖ Pipe cover (large) (accessory) | Ⓗ Thermal insulation (field supply) |
| Ⓘ Pull | Ⓙ Flare nut |
| Ⓚ Return to original position | Ⓛ Ensure that there is no gap here |
| Ⓜ Plate on main body | Ⓝ Band (accessory) |
| Ⓞ Ensure that there is no gap here. Place join upwards. | |

1. Remove and discard the rubber bung which is inserted in the end of the unit piping.
2. Flare the end of the site refrigerant piping.
3. Pull out the thermal insulation on the site refrigerant piping and replace the insulation in its original position.

Cautions On Refrigerant Piping

- ▶ Be sure to use non-oxidative brazing for brazing to ensure that no foreign matter or moisture enter into the pipe.
- ▶ Be sure to apply refrigerating machine oil over the flare connection seating surface and tighten the connection using a double spanner.
- ▶ Provide a metal brace to support the refrigerant pipe so that no load is imparted to the indoor unit end pipe. This metal brace should be provided 50 cm [19-11/16 in] away from the indoor unit's flare connection.

6.4. Purging procedures leak test



6.5. Drain piping work

- Ensure that the drain piping is downward (pitch of more than 1/100) to the outdoor (discharge) side. Do not provide any trap or irregularity on the way.
- Ensure that any cross-wise drain piping is less than 20 m [65 ft] (excluding the difference of elevation). If the drain piping is long, provide metal braces to prevent it from waving. Never provide any air vent pipe. Otherwise drain may be ejected.
- Use a hard vinyl chloride pipe VP-25 (with an external diameter of 32 mm [1-1/4 in]) for drain piping.
- Ensure that collected pipes are 10 cm [3-15/16 in] lower than the unit body's drain port.
- Do not provide any odor trap at the drain discharge port.
- Put the end of the drain piping in a position where no odor is generated.
- Do not put the end of the drain piping in any drain where ionic gases are generated.

6. Refrigerant piping work

[Fig. 6-5-1] (P.5)

- Correct piping
- × Wrong piping
- Ⓐ Insulation (9 mm [3/8 in] or more)
- Ⓑ Downward slope (1/100 or more)
- Ⓒ Support metal
- Ⓚ Air bleeder
- Ⓛ Raised
- Ⓜ Odor trap

Grouped piping

- Ⓓ O. D. ϕ 32 mm [1-1/4 in] PVC TUBE
- Ⓔ Make it as large as possible. About 10 cm [3-15/16 in].
- Ⓕ Indoor unit
- Ⓖ Make the piping size large for grouped piping.
- Ⓗ Downward slope (1/100 or more)
- Ⓘ O. D. ϕ 38 mm [1-1/2 in] PVC TUBE for grouped piping. (9 mm [3/8 in] or more insulation)
- Ⓝ Up to 700 mm [27-9/16 in]
- Ⓝ Drain hose (accessory)
- Ⓒ Horizontal or slightly upgradient

1. Insert the drain hose (accessory) into the drain port (insertion margin: 25mm [1 in]). (The drain hose must not be bent more than 45° to prevent the hose from breaking or clogging.)
(Attach the hose with glue, and fix it with the band (small, accessory).)
2. Attach the drain pipe (O.D. ϕ 32 mm [1-1/4 in] PVC TUBE PV-25, field supply).
(Attach the pipe with glue, and fix it with the band (small, accessory).)
3. Perform insulation work on the drain pipe (O.D. ϕ 32 mm [1-1/4 in] PVC TUBE PV-25) and on the socket (including elbow).
4. Check the drainage. (Refer to [Fig. 6-6-1])
5. Attach the insulating material (accessory), and fix it with the band (large, accessory) to insulate the drain port.

[Fig. 6-5-2] (P.5)

- Ⓐ Indoor unit
- Ⓑ Tie band (accessory)
- Ⓒ Visible part
- Ⓓ Insertion margin
- Ⓔ Drain hose (accessory)
- Ⓕ Drain pipe (O.D. ϕ 32 mm [1-1/4 in] PVC TUBE, field supply)
- Ⓖ Insulating material (field supply)
- Ⓚ Tie band (accessory)
- Ⓛ To be gap free. The joint section of the insulation material meet must be at the top.

7. Duct work

- Connect canvas duct between unit and duct. [Fig. 7-0-1] (P.6)
- Use incombustible material for duct parts.
- Provide full insulation to inlet duct flange and outlet duct to prevent condensation.
- Be sure to change the position of air filter to a position where it can be serviced.

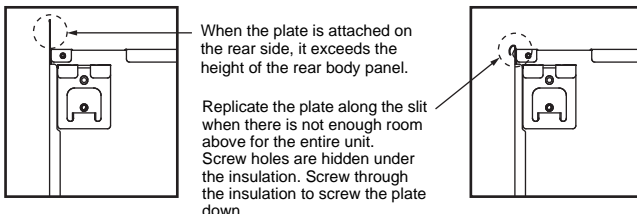
<A> In case of rear inlet
 In case of bottom inlet

- Ⓐ Duct
- Ⓑ Air inlet
- Ⓒ Access door
- Ⓓ Canvas duct
- Ⓔ Ceiling surface
- Ⓛ Air outlet
- Ⓝ Leave distance enough to prevent short cycle

- Procedure for changing the rear inlet to the bottom inlet. [Fig. 7-0-2] (P.6)

- Ⓐ Filter
- Ⓑ Bottom plate

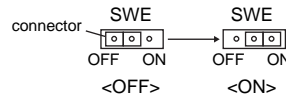
1. Remove air filter. (First remove filter lock screw.)
2. Remove the bottom plate.
3. Fit the bottom plate to the rear of the body. [Fig. 7-0-3] (P.6)
(Position of lug-holes on the plate are different from those for rear inlet.)
(Tighten the screws of the bottom plate to the torque of 1.4 \pm 0.2 N·m.)



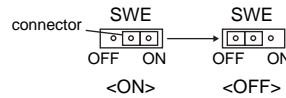
6.6. Confirming drain discharge

- ▶ Make sure that the drain-up mechanism operates normally for discharge and that there is no water leakage from the connections.

- Be sure to confirm the above before ceiling work is done in the case of a new construction.
1. Remove the water supply port cover on the same side as the indoor unit piping.
 2. Fill water into the feed water pump using a feed water tank. In filling, be sure to put the end of the pump or tank in a drain pan. (If the insertion is incomplete, water may flow over the machine.)
 3. Perform the test run in cooling mode, or connect the connector to the ON side of SWE on the Indoor controller board. (The drain pump and the fan are forced to operate without any remote controller operation.) Make sure using a transparent hose that drain is discharged.



4. After confirmation, cancel the test run mode, and turn off the main power. If the connector is connected to the ON side of SWE, disconnect it and connect it to the OFF side, and attach the water supply port cover into its original position. (Tighten the screws of the water supply port cover to the torque of 2.0 \pm 0.2 N·m.)



[Fig. 6-6-1] (P.5)

- Ⓐ Insert pump's end 2 to 4 cm [13/16 to 1-5/8 in].
- Ⓑ Remove the water supply port.
- Ⓒ About 2500 cc
- Ⓓ Water
- Ⓔ Filling port
- Ⓛ Screw

4. Fit filter to the underside of the body.
(Be careful of which side of the filter to fit.) [Fig. 7-0-4] (P.6)

- Ⓒ Nail for the bottom inlet
- Ⓓ Nail for the rear inlet

⚠ Caution:

- Inlet duct of 850 mm [33-1/2 in] or more should be constructed.
To connect the air conditioner main body and the duct for potential equalization.
- To reduce the risk of injury from metal sheet edges, wear protective gloves.
- To connect the air conditioner main body and the duct for potential equalization.
- The noise from the intake will increase dramatically if intake is fitted directly beneath the main body. Intake should therefore be installed as far away from the main body as possible.
Particular care is required when using it with bottom inlet specifications.
- Install sufficient thermal insulation to prevent condensation forming on outlet duct flanges and outlet ducts.
- Keep the distance between the inlet grille and the fan over 850 mm [33-1/2 in].
If it is less than 850 mm [33-1/2 in], install a safety guard not to touch the fan.
- To avoid electrical noise interference, do not run transmission lines at the bottom of the unit.

8. Electrical work

8.1. Power supply

8.1.1. Indoor unit power supplied from outdoor unit

The following connection patterns are available.

The outdoor unit power supply patterns vary on models.

1:1 System

[Fig. 8-1-1] (P.6)

- Ⓐ Outdoor unit power supply
- Ⓑ Isolating switch
- Ⓒ Outdoor unit
- Ⓓ Indoor unit/outdoor unit connecting cords
- Ⓔ Wired remote controller
- Ⓕ Indoor unit
- Ⓖ Indoor controller board
- Ⓗ Radio frequency interface for RF thermostat

* Affix a label A that is included with the manuals near each wiring diagram for the indoor and outdoor units.

Field electrical wiring

Indoor unit model		PEAD
Wiring Wire No. x size (mm ²)	Indoor unit power supply (Heater)	—
	Indoor unit power supply (Heater) earth	—
	Indoor unit-Outdoor unit	3 × 1.5 (polar)
	Indoor unit-Outdoor unit earth	1 × Min. 1.5
Circuit rating	Wired remote controller-Indoor unit	*1 2 × 0.3 (Non-polar)
	Indoor unit (Heater) L-N	*2 —
	Indoor unit-Outdoor unit S1-S2	*2 230 V AC
	Indoor unit-Outdoor unit S2-S3	*2 24 V DC
	Wired remote controller-Indoor unit	*2 14 V DC

*1. The 10 m [32 ft] wire is attached in the wired remote controller accessory. Max. 500 m [1640 ft]
*2. The figures are NOT always against the ground.

S3 terminal has 24 V DC against S2 terminal. However between S3 and S1, these terminals are not electrically insulated by the transformer or other device.

- Notes:**
1. **Wiring size must comply with the applicable local and national code.**
 2. **Power supply cords and indoor unit/outdoor unit connecting cords shall not be lighter than polychloroprene sheathed flexible cord. (Design 245 IEC57)**
 3. **Install an earth longer than other cables.**
 4. **Perform wiring in compliance with the safety regulations detailed in UL1995.**

⚠ Caution:

Do not use anything other than the correct capacity fuse. Using fuse, wire or copper wire with too large capacity may cause a risk of malfunction or fire.

⚠ Caution:

Take measures to prevent electrical leakage as required.

8.2. Indoor wire connection

Work procedure

1. Remove 2 screws to detach the electric component cover.
 2. Route each cable through the wiring intake into the electric component box. (Procure power cable and in-out connecting cable locally and use wired remote control cable supplied with the unit.)
 3. Securely connect the power cable and the in-out connecting cable and the wired remote control cable to the terminal blocks.
 4. For radio frequency interface
Connect the electric wires securely to the CN105 (RED) of indoor controller board. Connect the electric wires securely to the corresponding terminals.
 5. Secure the cables with clamps inside the electric component box.
 6. Attach the electric component cover as it was.
(Tighten the screws of the terminal box cover to the torque of 2.0 ±0.2 N·m.)
- Fix power supply cable and indoor/outdoor cable to control box by using buffer bushing for tensile force. (PG connection or the like.)

⚠ Warning:

- **Attach the electrical part cover securely. If it is attached incorrectly, it could result in a fire, electric shock due to dust, water, etc.**
- **Use the specified indoor/outdoor unit connecting wire to connect the indoor and outdoor units and fix the wire to the terminal block securely so that no stress is applied to the connecting section of the terminal block. Incomplete connection or fixing of the wire could result in a fire.**

[Fig. 8-2-1] (P.7)

- Ⓐ Screw holding cover (1pc)
- Ⓑ Cover

[Fig. 8-2-2] (P.7)

- Ⓒ Terminal box
- Ⓓ Knockout hole
- Ⓔ Remove

[Fig. 8-2-3] (P.7)

- Ⓕ Use PG bushing to keep the weight of the cable and external force from being applied to the power supply terminal connector. Use a cable tie to secure the cable.
- Ⓖ Power source wiring
- Ⓗ Use ordinary bushing
- Ⓘ Transmission wiring
- Ⓙ Conduit
- Ⓚ Side frame
- Ⓛ Knockout hole (for power source wiring)
- Ⓜ Washer (accessory)

[Fig. 8-2-4] (P.7)

- Ⓝ Terminal block for power source and indoor transmission
- Ⓒ Terminal block for wired remote controller
- Ⓖ Indoor controller board
- Ⓓ Radio frequency interface is installed on Indoor controller board
- Ⓔ CN105 (RED/5P)
- Ⓢ Wiring for radio frequency interface

- Perform wiring as shown in the diagram to the lower left. (Procure the cable locally.) Make sure to use cables of the correct polarity only.

[Fig. 8-2-5] (P.7)

- Ⓐ Indoor terminal block
- Ⓑ Earth wire (green/yellow)
- Ⓒ Indoor/outdoor unit connecting wire 3-core 1.5 mm² [AWG 16] or more
- Ⓓ Outdoor terminal block
- ① Connecting cable
Cable 3-core 1.5 mm² [AWG 16], in conformity with Design 245 IEC 57.
- ② Indoor terminal block
- ③ Outdoor terminal block
- ④ Always install an earth wire (1-core 1.5 mm² [AWG 16]) longer than other cables
- ⑤ Wired remote controller cable
Wire No × size (mm²) : Cable 2C × 0.3
This wire accessory of remote controller
(wire length : 10 m [32 ft], non-polar. Max. 500 m [1640 ft])
- ⑥ Wired remote controller

- Connect the terminal blocks as shown in the diagram below.

⚠ Caution:

- **Use care not to make mis-wiring.**
- **Firmly tighten the terminal screws to prevent them from loosening.**
- **After tightening, pull the wires lightly to confirm that they do not move.**

8.3. Remote controller

8.3.1. For wired remote controller

1) Two wired remote controllers setting

If two wired remote controllers are connected, set one to "Main" and the other to "Sub". For setting procedures, refer to "Function selection of remote controller" in the operation manual for the indoor unit.

8.3.2. For IR wireless remote controller

1) Installation area

- Area in which the IR wireless remote controller is not exposed to direct sunshine.
- Area in which there is no near by heating source.
- Area in which the IR wireless remote controller is not exposed to cold (or hot) winds.
- Area in which the IR wireless remote controller can be operated easily.
- Area in which the IR wireless remote controller is beyond the reach of children.

* The signal can travel up to approximately 7 meters [23 ft] (in a straight line) within 45 degrees to both right and left of the center line of the receiver.

2) Setting the Model No.

[Fig. 8-3-1] (P.8)

- ① Insert batteries.
- ② Press the SET button with something sharp at the end.
Start this operation from the status of IR wireless remote controller display turned off.
MODEL SELECT blinks and Model No. (Ⓐ) is lighted.
- ③ Press the temp **Ⓜ** **Ⓟ** button to set the Model No. (Ⓐ).
- ④ Press the SET button with something sharp at the end.
MODEL SELECT and Model No. (Ⓐ) are lighted for three seconds, then turned off.

Indoor Unit Model	Model No. (Ⓐ)
PEAD	026

8. Electrical work

8.4. Function settings

8.4.1. Function setting on the unit (Selecting the unit functions)

1) For wired remote controller [Fig. 8-4-1] (P.8)

1. Changing the external static pressure setting.

- Be sure to change the external static pressure setting depending on the duct and the grill used.

- ①
 - Select "Service" from the Main menu, and press the [SELECT] button.
 - Select "Function settings" with the [F1] or [F2] button, and press the [SELECT] button.
- ②
 - Set the indoor unit refrigerant addresses and unit numbers with the [F1] through [F4] buttons, and then press the [SELECT] button to confirm the current setting.

<Checking the Indoor unit No.>

When the [SELECT] button is pressed, the target indoor unit will start fan operation. If the unit is common or when running all units, all indoor units for the selected refrigerant address will start fan operation.

- ③
 - When data collection from the indoor units is completed, the current settings appear highlighted. Non-highlighted items indicate that no function settings are made. Screen appearance varies depending on the "Unit No." setting.
- ④
 - Use the [F1] or [F2] button to move the cursor to select the mode number, and change the setting number with the [F3] or [F4] button to switch the setting number in response to the external static pressure to be used.

External static pressure	Setting no. of mode no. 08	Setting no. of mode no. 10
35 Pa [0.14 in. WG]	2	1
50 Pa [0.20 in. WG] (before shipment)	3	1
70 Pa [0.28 in. WG]	1	2
100 Pa [0.40 in. WG]	2	2
150 Pa [0.60 in. WG]	3	2

- ⑤
 - When the settings are completed, press the [SELECT] button to send the setting data from the remote controller to the indoor units.
 - When the transmission is successfully completed, the screen will return to the Function setting screen.

2. Other functions

- ① Select unit number 00 for the settings. (Settings for all indoor units)
Refer to Function table 1.
- ② Select unit number 01 to 04 or AL for the settings. (Settings for each indoor unit)
To set the indoor unit in the individual system, select unit number 01.
To set each indoor unit of two, three or four indoor units, which are connected when these units are simultaneously in operation, select unit number 01 to 04.
To set all indoor units of two, three or four indoor units which are connected when these units are simultaneously in operation, select AL.
Refer to Function table 2.

2) For IR wireless remote controller

[Fig. 8-4-2] (P.8)

- Ⓐ Hour button
- Ⓑ Minute button
- Ⓒ TEMP button
- Ⓓ TEMP button
- Ⓔ ON/OFF button
- Ⓕ CHECK button

1. Changing the external static pressure setting.

- Be sure to change the external static pressure setting depending on the duct and the grill used.

- ① Go to the function select mode
Press the CHECK button Ⓕ twice continuously.
(Start this operation from the status of remote controller display turned off.)
CHECK is lighted and "00" blinks.
Press the TEMP button Ⓒ once to set "50". Direct the wireless remote controller toward the receiver of the indoor unit and press the Hour button Ⓐ.
- ② Setting the unit number
Press the TEMP buttons Ⓒ and Ⓓ to set the unit number to 01-04 or AL. Direct the wireless remote controller toward the receiver of the indoor unit and press the Minute button Ⓑ.
- ③ Selecting a mode
Enter 08 to change the external static pressure setting using the Ⓒ and Ⓓ buttons. Direct the wireless remote controller toward the receiver of the indoor unit and press the Hour button Ⓐ.

Current setting number: 1 = 1 beep (one second)
 2 = 2 beeps (one second each)
 3 = 3 beeps (one second each)

- ④ Selecting the setting number
Use the Ⓒ and Ⓓ buttons to change the external static pressure setting to be used. Direct the wireless remote controller toward the sensor of the indoor unit and press the Hour button Ⓐ.
- ⑤ To set the external static pressure
Repeat steps ③ and ④ to set the mode number to 10.
- ⑥ Complete function selection
Direct the wireless remote controller toward the sensor of the indoor unit and press the ON/OFF button Ⓔ.

Note:

- Whenever changes are made to the function settings after installation or maintenance, be sure to record the changes with a mark in the "Check" column of the Function table.

3) Changing the power voltage setting (Function table 1)

- Be sure to change the power voltage setting depending on the voltage used.

8. Electrical work

Function table 1

Select unit number 00

Mode	Settings	Mode no.	Setting no.	Initial setting	Check
Power failure automatic recovery *1*2 (AUTO RESTART FUNCTION)	Not available	01	1	○	
	Available		2		
Indoor temperature detecting	Indoor unit operating average	02	1	○	
	Set by indoor unit's remote controller		2		
	Remote controller's internal sensor		3		
LOSSNAY connectivity	Not Supported	03	1	○	
	Supported (indoor unit is not equipped with outdoor-air intake)		2		
	Supported (indoor unit is equipped with outdoor-air intake)		3		
Power voltage	230V	04	1	○	
	208V		2		
Auto mode	Energy saving cycle automatically enabled	05	1	○	
	Energy saving cycle automatically disabled		2		

Function table 2

Select unit numbers 01 to 04 or all units (AL [wired remote controller]/07 [wireless remote controller])

Mode	Settings	Mode no.	Setting no.	Initial setting	Check	
Filter sign	100 Hr	07	1			
	2500 Hr		2			
	No filter sign indicator		3	○		
External static pressure	External static pressure	08	1			
	35 Pa [0.14 in. WG]		Setting no. of mode no. 08	2	1	
	50 Pa [0.20 in. WG] (before shipment)		3	1		
	70 Pa [0.28 in. WG]	10	1	○		
	100 Pa [0.40 in. WG]		2			
	150 Pa [0.60 in. WG]		3			
			2			

*1 When the power supply returns, the air conditioner will start 3 minutes or 1 minute later (hinge on Outdoor unit).

*2 Power failure automatic recovery initial setting depends on the connecting outdoor unit.

Note: When the function of an indoor unit were changed by function selection after the end of installation, always indicate the contents by entering a ○ or other mark in the appropriate check filed of the tables.

9. Test run

9.1. Before test run

- ▶ After completing installation and the wiring and piping of the indoor and outdoor units, check for refrigerant leakage, looseness in the power supply or control wiring, wrong polarity, and no disconnection of one phase in the supply.
- ▶ Use a 500-volt megohmmeter to check that the resistance between the power supply terminals and ground is at least 1.0 MΩ.
- ▶ Do not carry out this test on the control wiring (low voltage circuit) terminals.

⚠ Warning:

Do not use the air conditioner if the insulation resistance is less than 1.0 MΩ.

Insulation resistance

After installation or after the power source to the unit has been cut for an extended period, the insulation resistance will drop below 1 MΩ due to refrigerant accumulating in the compressor. This is not a malfunction. Perform the following procedures.

1. Remove the wires from the compressor and measure the insulation resistance of the compressor.
2. If the insulation resistance is below 1 MΩ, the compressor is faulty or the resistance dropped due the accumulation of refrigerant in the compressor.
3. After connecting the wires to the compressor, the compressor will start to warm up after power is supplied. After supplying power for the times indicated below, measure the insulation resistance again.
 - The insulation resistance drops due to accumulation of refrigerant in the compressor. The resistance will rise above 1 MΩ after the compressor is warmed up for two to three hours.
(The time necessary to warm up the compressor varies according to atmospheric conditions and refrigerant accumulation.)
 - To operate the compressor with refrigerant accumulated in the compressor, the compressor must be warmed up at least 12 hours to prevent breakdown.
4. If the insulation resistance rises above 1 MΩ, the compressor is not faulty.

⚠ Caution:

- The compressor will not operate unless the power supply phase connection is correct.
- Turn on the power at least 12 hours before starting operation.
- Starting operation immediately after turning on the main power switch can result in severe damage to internal parts. Keep the power switch turned on during the operational season.

9. Test run

9.2. Test run

9.2.1. Using wired remote controller

► Make sure to read operation manual before test run. (Especially items to secure safety)

Step 1 Turn on the power.

- Remote controller: The system will go into startup mode, and the remote controller power lamp (green) and "PLEASE WAIT" will blink. While the lamp and message are blinking, the remote controller cannot be operated. Wait until "PLEASE WAIT" is not displayed before operating the remote controller. After the power is turned on, "PLEASE WAIT" will be displayed for approximately 2 minutes.
- Indoor controller board: LED 1 will be lit up, LED 2 will be lit up (if the address is 0) or off (if the address is not 0), and LED 3 will blink.
- Outdoor controller board: LED 1 (green) and LED 2 (red) will be lit up. (After the startup mode of the system finishes, LED 2 will be turned off.) If the outdoor controller board uses a digital display, [-] and [-] will be displayed alternately every second.

If the operations do not function correctly after the procedures in step 2 and thereafter are performed, the following causes should be considered and eliminated if they are found.

(The symptoms below occur during the test run mode. "Startup" in the table means the LED display written above.)

Symptoms in test run mode		Cause
Remote Controller Display	OUTDOOR BOARD LED Display < > indicates digital display.	
Remote controller displays "PLEASE WAIT", and cannot be operated.	After "startup" is displayed, only green lights up. <00>	• After power is turned on, "PLEASE WAIT" is displayed for 2 minutes during system startup. (Normal)
After power is turned on, "PLEASE WAIT" is displayed for 3 minutes, then error code is displayed.	After "startup" is displayed, green (once) and red (once) blink alternately. <F1>	• Incorrect connection of outdoor terminal block (R, S, T and S ₁ , S ₂ , S ₃ .)
	After "startup" is displayed, green (once) and red (twice) blink alternately. <F3, F5, F9>	• Outdoor unit's protection device connector is open.
No display appears even when remote controller operation switch is turned on. (Operation lamp does not light up.)	After "startup" is displayed, green (twice) and red (once) blink alternately. <EA, Eb>	• Incorrect wiring between the indoor and outdoor unit (Polarity is wrong for S ₁ , S ₂ , S ₃ .)
	After "startup" is displayed, only green lights up. <00>	• Remote controller transmission wire short.
Display appears but soon disappears even when remote controller is operated.	After "startup" is displayed, only green lights up. <00>	• There is no outdoor unit of address 0. (Address is other than 0.)
	After "startup" is displayed, only green lights up. <00>	• Remote controller transmission wire open.
Display appears but soon disappears even when remote controller is operated.	After "startup" is displayed, only green lights up. <00>	• After canceling function selection, operation is not possible for about 30 seconds. (Normal)

Step 2 Switch the remote controller to "Test run".

- ① Select "Test run" from the Service menu, and press the [SELECT] button. [Fig. 9-2-1] (P.9)
- ② Select "Test run" from the Test run menu, and press the [SELECT] button. [Fig. 9-2-2] (P.9)
- ③ The test run operation starts, and the Test run operation screen is displayed.

Step 3 Perform the test run and check the airflow temperature and auto vane.

- ① Press the [F1] button to change the operation mode. [Fig. 9-2-3] (P.9)
Cooling mode: Check that cool air blows from the unit.
Heating mode: Check that warm air blows from the unit.

Step 4 Confirm the operation of the outdoor unit fan.

The speed of the outdoor unit fan is controlled in order to control the performance of the unit. Depending on the ambient air, the fan will rotate at a slow speed and will keep rotating at that speed unless the performance is insufficient. Therefore, the outdoor wind may cause the fan to stop rotating or to rotate in the opposite direction, but this is not a problem.

Step 5 Stop the test run.

- ① Press the [ON/OFF] button to stop the test run. (The Test run menu will appear.)

Note: If an error is displayed on the remote controller, see the table below.

LCD	Description of malfunction	LCD	Description of malfunction	LCD	Description of malfunction
P1	Intake sensor error	P9	Pipe sensor error (dual-wall pipe)	E0 – E5	Communication error between the remote controller and the indoor unit
P2	Pipe sensor error (liquid pipe)	PA	Leakage error (refrigerant system)		
P4	Drain float switch connector disconnected (CN4F)	PB (Pb)	Indoor unit fan motor error		
		PL	Refrigerant circuit abnormal		
P5	Drain overflow protection operation	FB	Indoor controller board error	E6 – EF	Communication error between the indoor unit and the outdoor unit
P6	Freezing/overheating protection operation	U*, F*	Outdoor unit malfunction Refer to the wiring diagram for the outdoor unit.		
P8	Pipe temperature error	(* indicates an alphanumeric character excluding FB.)			

- See the table below for the details of the LED display (LED 1, 2, and 3) on the indoor controller board.

LED1 (microcomputer power supply)	Indicates whether control power is supplied. Make sure that this LED is always lit.
LED2 (remote controller power supply)	Indicates whether power is supplied to the wired remote controller. The LED is lit only for the indoor unit that is connected to the outdoor unit that has an address of 0.
LED3 (indoor/outdoor unit communication)	Indicates whether the indoor and outdoor units are communicating. Make sure that this LED is always blinking.

Note:

If the unit is operated continuously during a test run, the unit stops after 2 hours.

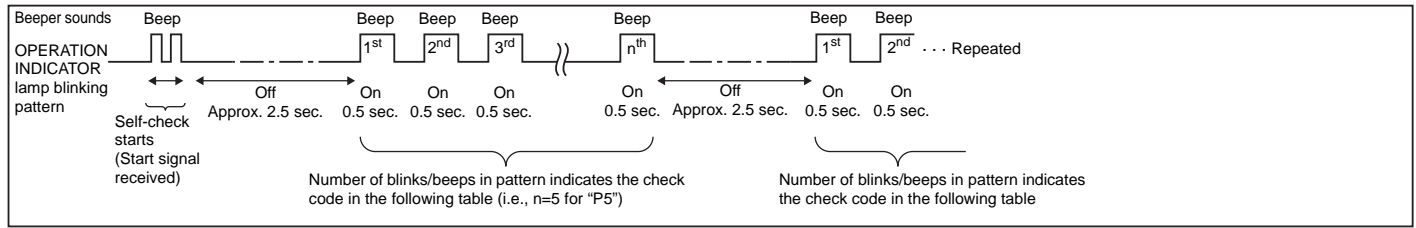
9. Test run

9.3. Self-check

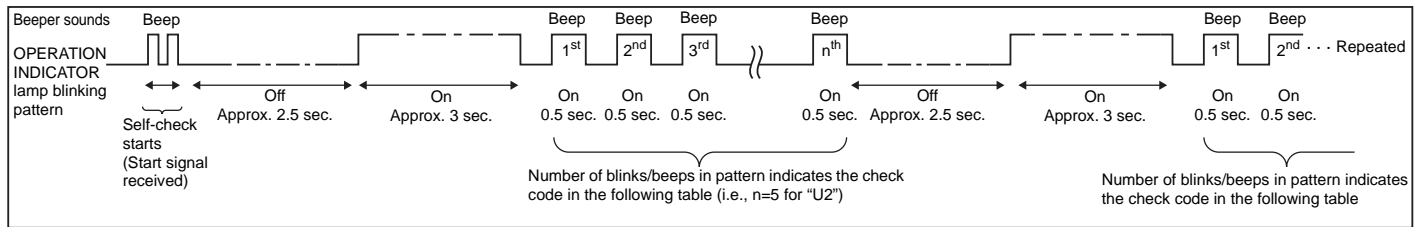
- ▶ Refer to the installation manual that comes with each remote controller for details.
- ▶ RF thermostat is not established.

• Refer to the following tables for details on the check codes. (Wireless remote controller)

[Output pattern A]



[Output pattern B]



[Output pattern A] Errors detected by indoor unit

IR wireless remote controller	Wired remote controller RF thermostat	Symptom	Remark
Beeper sounds/OPERATION INDICATOR lamp flashes (Number of times)	Check code		
1	P1	Intake sensor error	
2	P2, P9	Pipe (Liquid or 2-phase pipe) sensor error	
3	E6, E7	Indoor/outdoor unit communication error	
4	P4	Drain sensor error	
5	P5	Drain pump error	
6	P6	Freezing/Overheating safeguard operation	
7	EE	Communication error between indoor and outdoor units	
8	P8	Pipe temperature error	
9	E4	Remote controller signal receiving error	
10	–	–	
11	–	–	
12	Fb	Indoor unit control system error (memory error, etc.)	
No sound	– –	No corresponding	

[Output pattern B] Errors detected by unit other than indoor unit (outdoor unit, etc.)

IR wireless remote controller	Wired remote controller RF thermostat	Symptom	Remark
Beeper sounds/OPERATION INDICATOR lamp flashes (Number of times)	Check code		
1	E9	Indoor/outdoor unit communication error (Transmitting error) (Outdoor unit)	For details, check the LED display of the outdoor controller board.
2	UP	Compressor overcurrent interruption	
3	U3, U4	Open/short of outdoor unit thermistors	
4	UF	Compressor overcurrent interruption (When compressor locked)	
5	U2	Abnormal high discharging temperature/49C worked/insufficient refrigerant	
6	U1, Ud	Abnormal high pressure (63H worked)/Overheating safeguard operation	
7	U5	Abnormal temperature of heat sink	
8	U8	Outdoor unit fan protection stop	
9	U6	Compressor overcurrent interruption/Abnormal of power module	
10	U7	Abnormality of super heat due to low discharge temperature	
11	U9, UH	Abnormality such as overvoltage or voltage shortage and abnormal synchronous signal to main circuit/Current sensor error	
12	–	–	
13	–	–	
14	Others	Other errors (Refer to the technical manual for the outdoor unit.)	

9. Test run

- *1 If the beeper does not sound again after the initial two beeps to confirm the self-check start signal was received and the OPERATION INDICATOR lamp does not come on, there are no error records.
- *2 If the beeper sounds three times continuously “beep, beep, beep (0.4 + 0.4 + 0.4 sec.)” after the initial two beeps to confirm the self-check start signal was received, the specified refrigerant address is incorrect.

- On IR wireless remote controller
The continuous buzzer sounds from receiving section of indoor unit.
Blink of operation lamp
- On wired remote controller
Check code displayed on the LCD.
- If the unit cannot be operated properly after the above test run has been performed, refer to the following table to remove the cause.

Symptom		Cause
Wired remote controller	LED 1, 2 (PCB in outdoor unit)	
PLEASE WAIT	For about 2 minutes following power-on	After LED 1, 2 are lighted, LED 2 is turned off, then only LED 1 is lighted. (Correct operation)
PLEASE WAIT → Error code	After about 2 minutes has expired following power-on	Only LED 1 is lighted. → LED 1, 2 blink.
Display messages do not appear even when operation switch is turned ON (operation lamp does not light up).		Only LED 1 is lighted. → LED 1, 2 blinks twice, LED 2 blinks once.

On the IR wireless remote controller with conditions above, following phenomena takes place.

- No signals from the remote controller are accepted.
- OPE lamp is blinking.
- The buzzer makes a short ping sound.

Note:

Operation is not possible for about 30 seconds after cancellation of function selection. (Correct operation)

9.4. AUTO RESTART FUNCTION

Indoor controller board

This model is equipped with the AUTO RESTART FUNCTION.

When the indoor unit is controlled with the remote controller, the operation mode, set temperature, and the fan speed are memorized by the indoor controller board. The auto restart function sets to work the moment the power has restored after power failure, then, the unit will restart automatically.

Set the AUTO RESTART FUNCTION using the remote controller. (Mode no.01)

10. Easy maintenance function

Maintenance data, such as the indoor/outdoor unit's heat exchanger temperature and compressor operation current can be displayed with “Smooth maintenance”.

* This cannot be executed during test operation.

* Depending on the combination with the outdoor unit, this may not be supported by some models.

① [Fig. 10-0-1] (P.9)

- Select “Service” from the Main menu, and press the [SELECT] button.
- Select “Check” with the [F1] or [F2] button, and press the [SELECT] button.
- Select “Smooth maintenance” with the [F1] or [F2] button, and press the [SELECT] button.

② [Fig. 10-0-2] (P.9)

Select each item.

- Select the item to be changed with the [F1] or [F2] button.
- Select the required setting with the [F3] or [F4] button.

“Ref. address” setting “0”-“15”
 “Stable mode” setting..... “Cool” / “Heat” / “Normal”

- Press the [SELECT] button, fixed operation will start.
- * Stable mode will take approx. 20 minutes.

③ [Fig. 10-0-3] (P.9)

The operation data will appear.

The Compressor-Accumulated operating (COMP. run) time is 10-hour unit, and the Compressor-Number of operation times (COMP. On/Off) is a 100-time unit (fractions discarded).

<p>Navigating through the screens</p> <ul style="list-style-type: none"> • To go back to the Main menu.....[MENU] button • To return to the previous screen.....[RETURN] button
--

11. Maintenance

11.1. Gas charge

[Fig. 11-1-1] (P.10)

- Ⓐ Indoor unit
- Ⓑ Union
- Ⓒ Liquid pipe
- Ⓓ Gas pipe
- Ⓔ Stop valve
- Ⓕ Outdoor unit
- Ⓖ Refrigerant gas cylinder operating valve
- Ⓗ Refrigerant gas cylinder for R410A with siphon
- Ⓘ Refrigerant (liquid)
- Ⓝ Electronic scale for refrigerant charging
- Ⓚ Charge hose (for R410A)
- Ⓛ Gauge manifold valve (for R410A)
- Ⓜ Service port

1. Connect gas cylinder to the service port of stop valve (3-way).
2. Execute air purge of the pipe (or hose) coming from refrigerant gas cylinder.
3. Replenish specified amount of refrigerant, while running the air conditioner for cooling.

Note:

In case of adding refrigerant, comply with the quantity specified for the refrigerating cycle.

⚠ Caution:

- Do not discharge the refrigerant into the atmosphere.
Take care not to discharge refrigerant into the atmosphere during installation, reinstallation, or repairs to the refrigerant circuit.
- For additional charging, charge the refrigerant from liquid phase of the gas cylinder.
If the refrigerant is charged from the gas phase, composition change may occur in the refrigerant inside the cylinder and the outdoor unit. In this case, ability of the refrigerating cycle decreases or normal operation can be impossible. However, charging the liquid refrigerant all at once may cause the compressor to be locked. Thus, charge the refrigerant slowly.

To maintain the high pressure of the gas cylinder, warm the gas cylinder with warm water (under 40 °C [104 °F]) during cold season. But never use naked fire or steam.

Index

1. Consignes de sécurité	23
2. Choisir l'emplacement de l'installation	24
3. Sélection de l'emplacement d'installation et accessoires	24
4. Fixation des boulons de suspension	25
5. Installation de l'appareil	25
6. Mise en place des tuyaux de réfrigérant	25
7. Travaux de conduites	28
8. Installations électriques	28

9. Marche d'essai	31
10. Fonction d'entretien aisé	35
11. Entretien	35

Ce Manuel d'installation décrit uniquement l'unité intérieure et l'unité extérieure connectée des séries PUHZ.
Si l'appareil extérieur connecté fait partie de la série MXZ, consulter le manuel d'installation de cette série MXZ.

1. Consignes de sécurité

- Avant la connexion au système, le signaler au distributeur d'électricité ou demander son accord.
- Veuillez lire en entier "Consignes de sécurité" avant d'installer le climatiseur.
- Comme ces mesures sont très importantes pour votre sécurité, veuillez les respecter.
- Les symboles signifient.

⚠ Avertissement:

pourrait résulter en un décès, une blessure grave, etc.

⚠ Attention:

pourrait résulter en une blessure grave, selon les circonstances, si l'appareil est incorrectement utilisé.

- Lorsque vous aurez lu le manuel en entier, veuillez le garder dans un endroit pratique, chez le client, avec le manuel d'utilisation.

⚠ Avertissement:

- Ne pas installer l'appareil vous-même (client).

Toute mauvaise installation pourrait résulter en une blessure due à un incendie, un choc électrique, ou une fuite d'eau ou si l'appareil tombait. Consulter votre distributeur ou technicien spécialisé.

- Vous assurer que l'appareil est installé dans un endroit assez solide pour en supporter le poids.

Autrement, il pourrait tomber et par conséquent blesser quelqu'un.

- Utiliser les câbles spécifiés pour connecter les appareils intérieur et extérieur en toute sécurité, et attacher les fils fermement au bloc de sorties pour qu'aucune force venant des fils ne soit exercée sur les bornes.

Toute connexion ou attachement défectueux pourrait résulter en un incendie.

- N'utilisez pas de rallonge et ne branchez pas plusieurs appareils à la même prise de courant CA.

Il y aurait risque d'incendie ou de décharge électrique à cause d'un contact ou d'une isolation défectueux, ou à cause d'un excès de courant etc.

- Vérifier que le gaz réfrigérant ne fuit pas lorsque l'installation est terminée.

⚠ Attention:

- Ne pas utiliser l'appareil dans un environnement inhabituel. Si le climatiseur est installé dans des endroits exposés à la vapeur, à l'huile volatile (notamment l'huile de machine), au gaz sulfurique ou à une forte teneur en sel, par exemple, en bord de mer, les performances peuvent considérablement diminuer et les pièces internes de l'appareil être endommagées.

- Ne pas installer l'appareil dans des endroits où des gaz de combustion peuvent s'échapper, se dégager ou s'accumuler. L'accumulation de gaz de combustion autour de l'appareil peut provoquer un incendie ou une explosion.

- Ne pas placer d'aliments, de plantes, d'animaux en cage, d'objets d'art ou d'instruments de précision dans la soufflerie d'air direct de l'appareil intérieur ou à proximité de l'appareil au risque de les endommager par des variations de température ou des gouttes d'eau.

- Si l'humidité ambiante dépasse 80% ou si le tuyau d'écoulement est bouché, des gouttes d'eau peuvent tomber de l'appareil intérieur. Ne pas installer l'appareil intérieur dans un endroit où ces gouttes peuvent provoquer des dommages.

- Lors de l'installation de l'appareil dans un hôpital ou un centre de communications, se préparer au bruit et aux interférences électroniques. Les inverseurs, les appareils électroménagers, les équipements médicaux haute fréquence et de communications radio peuvent provoquer un dysfonctionnement ou une défaillance du climatiseur. Le climatiseur peut également endommager les équipements médicaux et de communications, perturber ainsi les soins et réduisant la qualité d'affichage des écrans.

Symboles sur l'appareil

⊘ : Indique une action qui doit être évitée.

⚠ : Indique que des instructions importantes doivent être prises en considération.

⚡ : Indique un élément qui doit être mis à la terre.

⚠ : Indique des précautions à prendre lors du maniement de pièces tournantes.

⚡ : Indique que l'interrupteur principal doit être désactivé avant d'effectuer tout travail d'entretien.

⚠ : Danger d'électrocution.

⚠ : Attention, surface chaude.

⚠ Avertissement:

Prendre soin de lire les étiquettes se trouvant sur l'appareil principal.

- Veuillez suivre ce manuel durant l'installation.

Toute installation défectueuse pourrait être la cause d'une blessure due à un incendie, une décharge électrique, si l'appareil tombait ou une fuite d'eau.

- Veuillez suivre ce manuel durant l'installation électrique et veuillez utiliser un circuit exclusif pour cette installation électrique.

Tout manque de capacité de circuit ou toute installation défectueuse pourrait résulter en un incendie ou une décharge électrique.

- Veuillez fermement attacher les couvercles de la partie électrique de l'appareil intérieur et le panneau de service de l'appareil extérieur.

Tout attachement défectueux du couvercle de l'appareil intérieur et/ou le panneau de service de l'appareil extérieur pourrait résulter en un incendie ou un choc électrique à cause de la poussière, de l'eau, etc, pouvant s'infiltrer.

- Veuillez vous assurer d'utiliser la pièce fournie ou les pièces spécifiées pour l'installation.

Toute pièce défectueuse utilisée pourrait être la cause d'un incendie, d'un choc électrique, de l'appareil tombant de sa position, etc, ce qui résulterait en une blessure ou une fuite d'eau.

- Aérez le local en cas de fuite de liquide frigorigène en cours de fonctionnement.

Tout contact du liquide frigorigène avec une flamme libre des gaz toxiques.

- Mettre l'appareil à la terre.

Ne pas relier le câble de terre au tuyau de gaz, d'eau, un parafoudre ou un câble de terre téléphonique. Toute mise à la terre défectueuse pourrait être la cause d'un choc électrique.

- Ne pas installer l'appareil dans un endroit où il sera exposé à des gaz inflammables.

Tout gaz accumulé autour de l'appareil pourrait exploser.

- Prendre des mesures pour éviter les fuites électriques, selon les besoins.

- Veuillez suivre les instructions de ce manuel pour l'installation de la tuyauterie et du système d'évacuation.

Si cette installation n'est pas faite correctement, il est possible que l'appareil fuie et par conséquent mouille ou abime vos meubles.

- Serrer l'écrou évasé avec une clé dynamométrique en respectant les indications du présent manuel.

Un écrou évasé trop serré peut en effet casser après un certain temps et provoquer une fuite de réfrigérant.

2. Choisir l'emplacement de l'installation

2.1. Appareil intérieur

- Emplacement ne favorisant pas la circulation d'air.
- Emplacement favorisant une bonne répartition de l'air froid dans la pièce.
- Emplacement ne favorisant pas une exposition directe au soleil.
- Éloigner d'au moins 1 m [3-1/4 ft] de votre téléviseur ou d'un appareil radio (pour éviter une déformation d'image ou des parasites).

- Emplacement permettant d'obtenir un éloignement suffisant d'une lampe fluorescente ou de tout autre dispositif d'éclairage à ampoule (la proximité de ces dispositifs entravent la réception des signaux de commande du boîtier de télécommande et empêche le climatiseur de fonctionner normalement).
- Emplacement permettant de retirer facilement le filtre à air vers le bas.

⚠ Avertissement:

Fixer l'appareil intérieur dans un plafond suffisamment résistant pour supporter son poids.

2.2. Appareil extérieur

Veillez vous reporter au manuel d'installation des appareils extérieurs.

3. Sélection de l'emplacement d'installation et accessoires

- Choisir un endroit avec une surface stable suffisamment résistante pour le poids de l'appareil.
- Avant d'installer l'appareil, déterminer la manière de l'acheminer au lieu d'installation.
- Choisir un endroit où le bon fonctionnement de l'appareil ne peut pas être affecté par un courant d'air.
- Sélectionner un endroit où le débit d'alimentation en air et de retour d'air n'est pas perturbé.
- Sélectionner un endroit où les tuyaux de réfrigérant peuvent facilement arriver à l'extérieur.
- Sélectionner un emplacement qui permet de répartir l'air équitablement dans toute la pièce.
- Ne pas installer l'appareil dans un endroit sujet à des éclaboussures de graisse ou à de grandes quantités de vapeur.
- Ne pas installer l'appareil dans un endroit avec arrivée de gaz combustible, entrepôt de gaz ou sujet à des fuites de gaz.
- Ne pas installer l'appareil dans un endroit contenant des équipements qui produisent des ondes de haute fréquence (comme une machine à souder fonctionnant par ondes de haute fréquence).
- Ne pas installer l'appareil dans un endroit où le détecteur incendie est situé du côté de l'arrivée d'air. (Le détecteur d'incendie risque de se déclencher par erreur suite à l'alimentation en air chaud pendant le fonctionnement du chauffage.)
- Évitez les endroits où des solutions acides sont fréquemment manipulées.
- Évitez les emplacements où on pulvérise souvent des produits à base de soufre ou autres sont.
- En cas de présence de produits chimiques sur les lieux d'installation, comme dans des usines chimiques ou des hôpitaux, une étude approfondie s'avère nécessaire avant de procéder à l'installation de l'appareil. (Certains produits chimiques peuvent en effet endommager les composants plastiques du climatiseur.)
- Si l'appareil doit fonctionner pendant longtemps quand l'air au-dessus du plafond est à haute température/haute humidité (point de condensation supérieur à 26 °C [79 °F]), la condensation d'humidité est possible dans l'appareil intérieur. Quand l'appareil fonctionne dans cette situation, ajoutez un matériau isolant (10 – 20 mm [13/32 à 13/16 in]) sur toute la surface de l'appareil intérieur pour éviter la condensation d'humidité.

3.1. Fixer l'appareil intérieur à un plafond suffisamment résistant pour supporter son poids

⚠ Avertissement:

L'appareil doit être fermement installé sur une structure capable de supporter son poids. Si le climatiseur est monté sur une structure trop fragile, il risque de tomber et de blesser quelqu'un.

3.2. Prévoir l'espace nécessaire pour l'installation et l'entretien

Laissez assez d'espace d'accès pour permettre l'entretien, inspection, et remplacement du moteur, du ventilateur, de la pompe de vidange, de l'échangeur de chaleur, et du boîtier électrique d'une des manières suivantes.

Sélectionnez un emplacement d'installation pour l'appareil intérieur sans poutres ou autres objets pouvant obstruer son espace d'accès pour l'entretien.

(1) Lorsqu'un espace de 300 mm [11-13/16 in] ou plus est disponible sous l'appareil entre l'appareil et le plafond (Fig. 3-2-1)

- Créez les portes d'accès 1 et 2 (450 × 450 mm [17-3/4 × 17-3/4 in] chacune) comme indiqué sur la Fig. 3-2-2.

(La porte d'accès 2 n'est pas nécessaire si l'espace disponible sous l'appareil permet à un ouvrier d'entretien de travailler.)

(2) Lorsqu'un espace inférieur à 300 mm [11-13/16 in] est disponible sous l'appareil entre l'appareil et le plafond (Il devrait subsister au moins 20 mm [13/16 in] d'espace sous l'appareil comme indiqué sur la Fig. 3-2-3.)

- Créez la porte d'accès 1 en diagonale sous le boîtier électrique et la porte d'accès 3 sous l'appareil comme indiqué sur la Fig. 3-2-4.

ou

- Créez la porte d'accès 4 sous le boîtier électrique et l'appareil comme indiqué sur la Fig. 3-2-5.

[Fig. 3-2-1] (P.2)

[Fig. 3-2-2] (Vu depuis la direction de la flèche A) (P.2)

[Fig. 3-2-3] (P.2)

[Fig. 3-2-4] (Vu depuis la direction de la flèche B) (P.2)

[Fig. 3-2-5] (Vu depuis la direction de la flèche B) (P.2)

- Ⓐ Boîtier électrique
- Ⓑ Plafond
- Ⓒ Poutre de plafond
- Ⓓ Porte d'accès 2 (450 mm × 450 mm [17-3/4 in × 17-3/4 in])
- Ⓔ Porte d'accès 1 (450 mm × 450 mm [17-3/4 in × 17-3/4 in])
- Ⓕ Espace d'accès pour l'entretien
- Ⓖ Air fourni
- Ⓗ Air entrant
- Ⓘ Dessous de l'appareil intérieur
- Ⓝ Porte d'accès 3
- Ⓚ Porte d'accès 4

3.3. Éléments qui accompagnent l'appareil intérieur

L'appareil est livré avec les éléments suivants:

No	Nom	Quantité
①	Couvercle de tuyau (pour le joint des tuyaux de réfrigérant) petit diamètre	1
②	Couvercle de tuyau (pour le joint des tuyaux de réfrigérant) grand diamètre	1
③	Rubans pour la fixation temporaire du couvre-tube et du tuyau d'écoulement	8
④	Rondelle (carrée)	8
⑤	Tuyau d'écoulement	2
⑥	Rondelle (ronde)	2
⑦	Manuel d'installation	1
⑧	Manuel de fonctionnement	1

4. Fixation des boulons de suspension

4.1. Fixation des boulons de suspension

[Fig. 4-1-1] (P.3)

Ⓐ Centre de gravité

(Fournir une structure résistante à l'endroit de suspension de l'appareil.)

Cadre de suspension

- Plafond: La structure du plafond varie d'un édifice à un autre. Pour plus d'informations, veuillez prendre contact avec la société de construction de l'immeuble.

Centre de gravité et poids du produit

Nom du modèle	W mm [in]	L mm [in]	X mm [in]	Y mm [in]	Z mm [in]	Poids du produit kg [lb]
PEAD-A09AA8	643 [25-5/16]	954 [37-9/16]	340 [13-3/8]	375 [14-3/4]	130 [5-1/8]	26 [58]
PEAD-A12AA8	643 [25-5/16]	954 [37-9/16]	340 [13-3/8]	375 [14-3/4]	130 [5-1/8]	26 [58]
PEAD-A15AA8	643 [25-5/16]	954 [37-9/16]	340 [13-3/8]	375 [14-3/4]	130 [5-1/8]	27 [60]
PEAD-A18AA8	643 [25-5/16]	954 [37-9/16]	340 [13-3/8]	375 [14-3/4]	130 [5-1/8]	27 [60]
PEAD-A24AA8	643 [25-5/16]	1154 [45-7/16]	325 [12-13/16]	525 [20-11/16]	130 [5-1/8]	30 [67]
PEAD-A30AA8	643 [25-5/16]	1154 [45-7/16]	325 [12-13/16]	525 [20-11/16]	130 [5-1/8]	30 [67]
PEAD-A36AA8	643 [25-5/16]	1454 [57-1/4]	330 [13]	675 [26-9/16]	130 [5-1/8]	38 [84]

- Si nécessaire, renforcez les boulons de suspension avec des supports antisismiques comme mesure contre les tremblements de terre.
- * Utilisez M10 pour les boulons de suspension et les supports antisismiques (à fournir sur place).
- ① Renfort du plafond avec des éléments supplémentaires (poutres sur champ, etc) nécessaire pour maintenir le plafond à niveau et pour éviter qu'il vibre.
- ② Couper et retirer les éléments de construction du plafond.
- ③ Renforcer les éléments de construction du plafond et ajouter d'autres éléments pour y fixer les planches du plafond.

5. Installation de l'appareil

5.1. Suspension de l'appareil

- Apporter l'appareil intérieur emballé sur le lieu de son installation.
- Pour le suspendre, utiliser une poulie de levage pour le soulever et le faire passer par les boulons de suspension.

[Fig. 5-1-1] (P.3)

- Ⓐ Corps de l'appareil
- Ⓑ Poulie de levage

[Fig. 5-1-2] (P.3)

- Ⓒ Boulons (non fourni)
- Ⓓ Rondelles (accessoire)
- Ⓔ Boulon de suspension M10 (non fourni)

5.2. Assurer l'emplacement de l'appareil et fixer les boulons de suspension

- Veiller à ce que les écrous des boulons de fixation soient bien serrés avant de fixer les boulons eux-mêmes.
- Pour s'assurer du bon écoulement, toujours suspendre l'appareil bien à l'horizontale en se servant d'un niveau.

⚠ Attention:

Installer l'appareil en position horizontale. Si le côté comportant l'ouverture d'écoulement est installé plus haut, des fuites risquent de se produire.

6. Mise en place des tuyaux de réfrigérant

6.1. Tuyaux de réfrigérant

[Fig. 6-1-1] (P.3)

- Ⓐ Appareil intérieur
- Ⓑ Appareil extérieur

Reportez-vous au mode d'emploi fourni avec l'appareil extérieur pour les hauteurs limites entre les appareils et pour la quantité de réfrigérant à charger.

Eviter d'installer l'appareil dans les endroits suivants, pour éviter toute complication :

- Où il y a trop d'huile, par exemple huile pour mécanisme ou alimentaire.
- Dans un environnement salé, par exemple près de la mer.
- Près de sources naturelles d'eau chaude.
- Près de gaz sulfurique.
- Tout autre zone atmosphérique inhabituelle.
- Cet appareil a des connexions évasées sur les côtés extérieurs et intérieurs. [Fig. 6-1-1]
- Les tuyaux à réfrigérant sont utilisés pour connecter les appareils intérieur et extérieur comme l'indique le croquis ci-dessous.
- Isoler entièrement les tuyaux à réfrigérant et d'évacuation pour éviter toute condensation.

Préparation des tuyaux

- Des tuyaux de 3, 5, 7, 10 et 15 mètres [9-13/16, 16-3/8, 22-15/16, 32-1/4 et 49-3/16 ft] sont disponibles en option.

(1)Le tableau ci-dessous montre les spécifications des tuyaux disponibles en commerce.

Modèle	Tuyau	Diamètre extérieur		Epaisseur min. du mur		Epaisseur de l'isolant		Isolant
		mm	inch	mm	inch	mm	inch	
PEAD-A09AA8	À liquide	6,35	1/4	0,8	1/32	8	5/16	Plastique mousse résistant à la chaleur gravité spécifique de 0,045
	À gaz	9,52	3/8	0,8	1/32	8	5/16	
PEAD-A12AA8	À liquide	6,35	1/4	0,8	1/32	8	5/16	
	À gaz	12,7	1/2	0,8	1/32	8	5/16	
PEAD-A15AA8	À liquide	6,35	1/4	0,8	1/32	8	5/16	
	À gaz	12,7	1/2	0,8	1/32	8	5/16	
PEAD-A18AA8	À liquide	6,35	1/4	0,8	1/32	8	5/16	
	À gaz	12,7	1/2	0,8	1/32	8	5/16	
PEAD-A24AA8	À liquide	9,52	3/8	0,8	1/32	8	5/16	
	À gaz	15,88	5/8	1,0	1/32	8	5/16	
PEAD-A30AA8	À liquide	9,52	3/8	0,8	1/32	8	5/16	
	À gaz	15,88	5/8	1,0	1/32	8	5/16	
PEAD-A36AA8	À liquide	9,52	3/8	0,8	1/32	8	5/16	
	À gaz	15,88	5/8	1,0	1/32	8	5/16	

(2)Vous assurer que les deux tuyaux à réfrigérant sont bien isolés contre la condensation.

(3)Le rayon du coude du tuyau à réfrigérant doit mesurer au moins 10 cm [3-15/16 in].

⚠ Attention:

Utiliser un isolant de l'épaisseur spécifiée. Trop d'épaisseur empêchera le stockage derrière l'appareil intérieur et un isolant trop mince ne pourra éviter le suintage de condensation.

6. Mise en place des tuyaux de réfrigérant

6.2. Evasement

- La cause principale de fuite de gaz est un évasement défectueux. Veuillez effectuer l'évasement selon la méthode suivante.

6.2.1. Couper le tuyau

[Fig. 6-2-1] (P.4)

- a) Tubes en cuivre
- b) Correct
- c) Incorrect
- d) Penché
- e) Inégal
- f) Bavure

- Utiliser un coupe-tuyaux pour couper le tube en cuivre correctement.

6.2.2. Enlever les bavures

[Fig. 6-2-2] (P.4)

- a) Bavure
- b) Tuyau/tube en cuivre
- c) Alésoir supplémentaire
- d) Coupe-tuyaux

- Enlever toutes les bavures du tube/tuyau coupé.
- Tenir le tuyau/tube avec le bout orienté vers le bas pendant que vous enlevez les bavures pour éviter qu'elles ne tombent à l'intérieur du tuyau.

6.2.3. Mettre l'écrou en place

[Fig. 6-2-3] (P.4)

- a) Ecrou évasé
- b) Tube en cuivre

- Enlever les écrous évasés situés sur les appareils intérieur et extérieur, puis les mettre sur le tube/tuyau une fois toutes les bavures enlevées. (il n'est pas possible de les mettre en place après le fraisage)

6.2.4. Le fraisage

[Fig. 6-2-4] (P.4)

- a) Fraise
- b) Etau
- c) Tube en cuivre
- d) Ecrou évasé
- e) Serrage

- Effectuez l'évasement à l'aide de l'alésoir selon la méthode suivante.

Diamètre de tuyau (mm [in])	Dimensions	
	A (mm [in])	B ⁺⁰ _{-0.4} [-1/32] (mm [in])
	Lors de l'utilisation de l'outil pour le R410A Type d'embrayage	
6,35 [1/4]	0 à 0,5 [0 à 1/32]	9,1 [3/8]
9,52 [3/8]	0 à 0,5 [0 à 1/32]	13,2 [17/32]
12,7 [1/2]	0 à 0,5 [0 à 1/32]	16,6 [21/32]
15,88 [5/8]	0 à 0,5 [0 à 1/32]	19,7 [25/32]

Coincer fermement le tube en cuivre dans un étau aux dimensions indiquées ci-dessus.

6.2.5. Vérification

[Fig. 6-2-5] (P.4)

- a) Lisse tout autour
- b) L'intérieur brille et n'est pas rayé
- c) La même longueur partout
- d) Trop
- e) Penché
- f) Rayure sur la surface évasée
- g) Craqué
- h) Inégal
- i) Exemples de mauvais spécimens

- Comparer le fraisage avec le croquis de droite.
- Si le fraisage est défectueux, couper la section fraisée et refaire le fraisage.

6.3. Connexion des tuyaux

[Fig. 6-3-1] (P.4)

- Appliquer une fine couche d'huile de réfrigérant sur la surface du siège de conduite.
- Le raccordement est réalisé en alignant d'abord le centre puis en serrant les 3 ou 4 premiers tours de l'écrou de fixation à évasement.
- Appliquer les couples de serrage spécifiés dans le tableau ci-dessous comme moyen de référence pour les raccords de tuyauterie de l'appareil intérieur et serrer avec deux clés. Un serrage endommage la partie évasée.

Diam. ext. Tuyau en cuivre (mm [in])	Diam. ext. raccord conique (mm [in])	Couple de serrage (N·m)
ø6,35 [1/4]	17 [11/16]	14 - 18
ø9,52 [3/8]	22 [7/8]	34 - 42
ø12,7 [1/2]	26 [1-1/32]	49 - 61
ø15,88 [5/8]	29 [1-5/32]	68 - 82

⚠ Avertissement:

Attention aux écrous évasés volants! (pressurisation interne)

Retirer l'écrou évasé en procédant comme suit:

- Desserrer l'écrou jusqu'à ce qu'un sifflement se fasse entendre.
- Ne jamais retirer l'écrou tant que tout le gaz ne s'est pas échappé (c'est-à-dire lorsque le sifflement s'arrête).
- Vérifier si tout le gaz s'est échappé avant de retirer l'écrou.

Connexion de l'appareil extérieur

Connecter les tuyaux au joint pour tube de la soupape d'arrêt en suivant la même procédure que pour l'appareil intérieur.

- Pour resserrer, utiliser une clé dynamométrique ou une clé, et utiliser la même force de torsion que pour l'appareil intérieur.

Isolation des tuyaux de réfrigérant

- Après le raccordement des tuyaux de réfrigérant, isoler les joints (évasés) avec une gaine d'isolation thermique, comme illustré ci-dessous.

[Fig. 6-3-2] (P.4)

- A) Couvre-tube (petit) (accessoire)
- B) Précaution:
Sur place, retirer l'isolation thermique des tuyaux de réfrigérant, insérer l'écrou évasé pour évaser l'extrémité et remettre l'isolation thermique dans sa position d'origine. Veiller à ce qu'il n'y ait pas de formation de gouttes de condensation sur la tuyauterie en cuivre exposée.
- C) Extrémité du tuyau de réfrigérant liquide
- D) Extrémité du tuyau de réfrigérant gazeux
- E) Tuyauterie de réfrigérant sur place
- F) Corps principal de l'appareil
- G) Couvre-tube (gros) (accessoire)
- H) Isolation thermique (fourni sur place)
- I) Tirer
- J) Raccord conique
- K) Remettre à la position originale
- L) S'assurer qu'il n'y a pas d'espace ici
- M) Plaque sur l'élément principal
- N) Ruban (accessoire)
- O) S'assurer qu'il n'y a pas d'espace ici. Orienter le joint vers le haut.

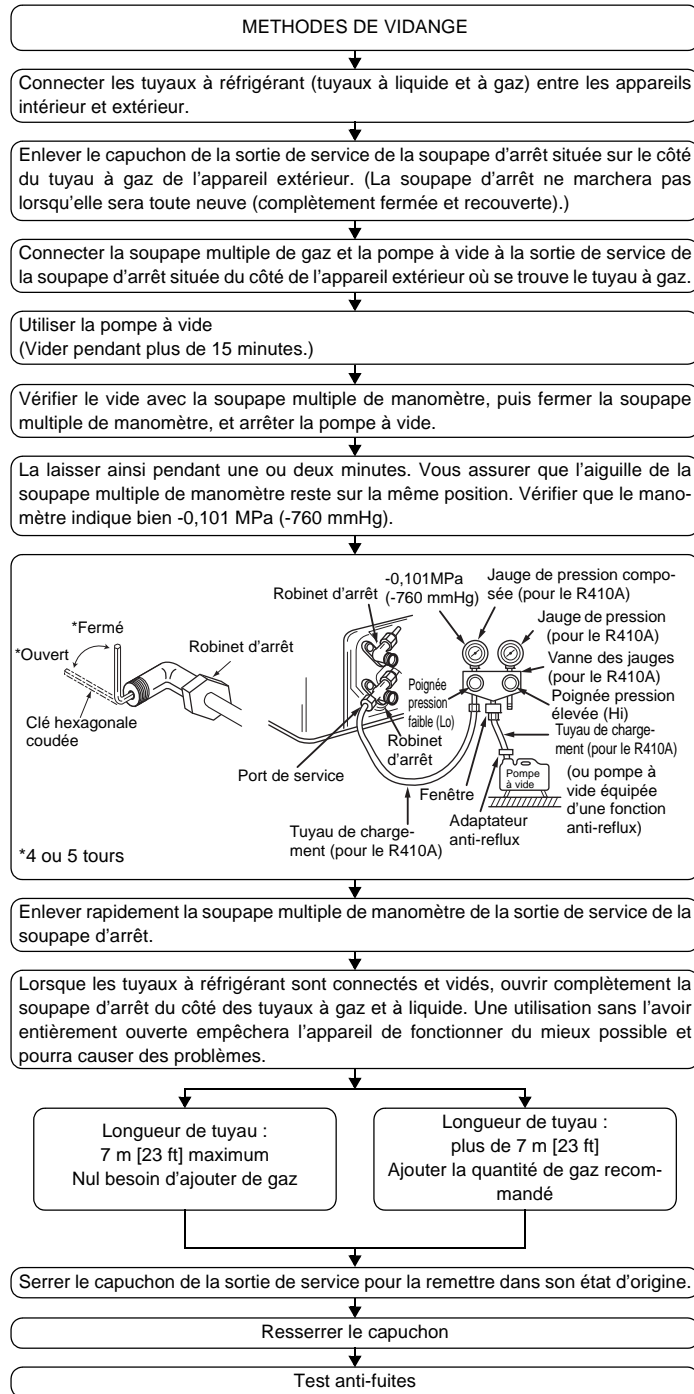
- Retirer et jeter le bouchon de caoutchouc qui a été inséré à l'extrémité de la tuyauterie de l'appareil.
- Evaser l'extrémité du tuyau de réfrigérant site.
- Retirer l'isolation thermique située sur le tuyau de réfrigérant site et remettre l'isolation à sa position originale.

Précautions concernant le raccordement des tuyaux de réfrigérant

- Toujours utiliser des soudures non oxydantes afin qu'aucun corps étranger ni aucune humidité ne pénètre à l'intérieur du tuyau.
- Revêtir le siège du goujon d'huile pour machine réfrigérante et le serrer fermement à l'aide de deux clés.
- Placer une entretoise métallique pour soutenir les tuyaux de réfrigérant de telle sorte qu'aucune charge ne s'applique à la sortie des tuyaux de l'appareil intérieur. Placer le support métallique à 50 cm [19-11/16 in] ou plus de la connexion avec goujon de l'appareil intérieur.

6. Mise en place des tuyaux de réfrigérant

6.4. Test anti-fuites et méthodes de vidange



6.5. Travaux de mise en place du tuyau d'écoulement

- S'assurer que le tuyau d'écoulement soit placé en pente vers le bas (pente de plus de 1 %) vers le côté extérieur (de la décharge). Éviter tout renforcement ou toute irrégularité sur le trajet du tuyau.
- S'assurer que les tuyaux d'écoulement de traverse ont moins de 20 m [65 ft] de long (non compris la différence d'élévation). Si le tuyau d'écoulement est relativement long, prévoir des crochets métalliques pour le soutenir et éviter qu'il n'ondule. Ne jamais prévoir d'orifice de ventilation d'air par lequel l'écoulement risquerait de se répandre.
- Utiliser un tuyau VP-25 solide en chlorure de vinyle (d'un diamètre extérieur de 32 mm [1-1/4 in]) pour l'écoulement.
- Veiller à ce que les tuyaux groupés soient 10 cm [3-15/16 in] en dessous de l'ouverture d'écoulement située sur le corps de l'appareil.
- Ne pas laisser de renforcement pour les odeurs au port de décharge de l'écoulement.

- Placer l'extrémité du tuyau d'écoulement de façon à ne pas générer d'odeurs.
- Ne jamais placer les tuyaux d'écoulement dans un drainage générant des gaz ioniques.

[Fig. 6-5-1] (P.5)

- Tuyauterie correcte
- × Tuyauterie erronée
- Ⓐ Isolation (9 mm [3/8 in] minimum)
- Ⓑ Pente descendante (1/100 minimum)
- Ⓒ Support métallique
- Ⓓ Purge d'air
- Ⓔ Levé
- Ⓜ Trappe anti-odeur

Tuyaux groupés

- Ⓓ D.E. ø32 mm [1-1/4 in] TUBE PVC
- Ⓔ Elargir le plus possible. 10 cm [3-15/16 in] environ.
- Ⓕ Appareil intérieur
- Ⓖ Elargir la tuyauterie pour recevoir les tuyaux groupés.
- Ⓗ Pente descendante (1/100 minimum)
- Ⓛ D.E. ø38 mm [1-1/2 in] TUBE PVC pour les tuyaux groupés. (Isolation de 9 mm [3/8 in] minimum)
- Ⓜ Jusqu'à 700 mm [27-9/16 in]
- Ⓝ Tuyau d'écoulement (accessoire)
- Ⓞ Surface horizontale ou légèrement ascendante

- Insérer le tuyau d'écoulement (accessoire) dans l'ouverture d'écoulement (marge d'insertion : 25 mm [1 in]). (Ne pas cintrer le tuyau au-delà de 45° pour éviter qu'il casse ou se bouche.)
(Fixer le tuyau avec la sangle et le coller avec de la glue (petit, accessoire).)
- Fixer le tuyau d'écoulement (D.E. ø32 mm [1-1/4 in] TUBE PVC PV-25, fourni sur place). (Fixer le tuyau avec la sangle et le coller avec de la glue (petit, accessoire).)
- Isoler le tuyau et la douille d'écoulement (D.E. ø32 mm [1-1/4 in] TUBE PVC PV-25) (coude inclus).
- Contrôler l'écoulement. (Voir [Fig. 6-6-1])
- Fixer le matériel d'isolation (accessoire), et le fixer avec la sangle (large, accessoire) pour isoler l'ouverture d'écoulement.

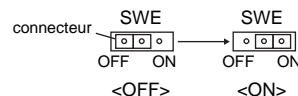
[Fig. 6-5-2] (P.5)

- Ⓐ Appareil intérieur
- Ⓑ Sangle (accessoire)
- Ⓒ Partie visible
- Ⓓ Marge d'insertion
- Ⓔ Tuyau d'écoulement (accessoire)
- Ⓕ Tuyau d'écoulement (D.E. ø32 mm [1-1/4 in] TUBE PVC, fourni sur place)
- Ⓖ Matériel d'isolation (fourni sur place)
- Ⓗ Sangle (accessoire)
- Ⓛ Sans espace. Le raccordement du matériel d'isolation doit se trouver sur la partie supérieure.

6.6. Confirmation des décharges d'écoulement

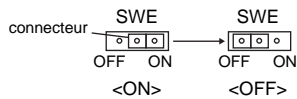
- Veiller à ce que le mécanisme de décharge d'écoulement fonctionne normalement et que les raccordements ne présentent aucune fuite.

- Le point ci-dessus doit être respecté avant de procéder aux travaux du plafond dans le cas d'une construction neuve.
- Retirer le couvercle de l'ouverture d'arrivée d'eau du côté de la tuyauterie de l'appareil intérieur.
 - Remplir la pompe d'alimentation en eau à l'aide d'un réservoir d'alimentation en eau. Lors du remplissage, veiller à placer l'extrémité de la pompe ou du réservoir dans un bac d'écoulement. (En cas d'insertion incomplète, de l'eau pourrait couler sur l'appareil.)
 - Exécuter l'essai en mode de refroidissement ou relier le connecteur au côté ON de SWE sur le panneau du contrôleur intérieur. (La pompe de drainage et le ventilateur sont contraints de fonctionner sans télécommande.) Veiller au bon écoulement à l'aide d'un tube transparent.



6. Mise en place des tuyaux de réfrigérant

4. Après confirmation, annuler le mode d'essai et couper l'alimentation principale. Si le connecteur est relié au côté ON de SWE, le débrancher et le rebrancher au côté OFF, puis fixer capot du port d'alimentation en eau dans sa position initiale. (Serrer les vis du capot du port d'alimentation en eau au couple de serrage de $2,0 \pm 0,2$ N.m.)



[Fig. 6-6-1] (P.5)

- Ⓐ Insérer l'extrémité de la pompe de 2 à 4 cm [13/16 à 1-5/8 in].
- Ⓑ Retirer l'ouverture d'arrivée d'eau.
- Ⓒ 2 500 cc environ
- Ⓓ Eau
- Ⓔ Ouverture de remplissage
- Ⓕ Vis

7. Travaux de conduites

- Raccorder le tuyau en canevas entre l'appareil et le conduit. [Fig. 7-0-1] (P.6)
- Utiliser des matériaux non-combustibles pour les éléments des conduits.
- Fournir une isolation complète à la bride du conduit d'entrée et au conduit de sortie pour éviter la condensation.
- Ne pas oublier de modifier la position du filtre à air de sorte à pouvoir en assurer la maintenance.

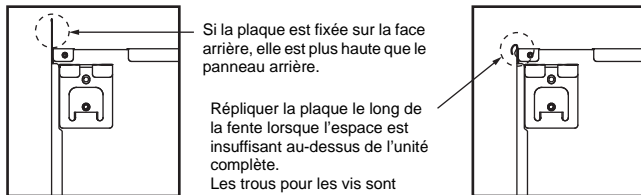
<A> En cas d'entrée arrière
 En cas d'entrée par le dessous

- Ⓐ Conduit
- Ⓑ Entrée d'air
- Ⓒ Porte d'accès
- Ⓓ Conduit en canevas
- Ⓔ Surface du plafond
- Ⓕ Sortie d'air
- Ⓖ Laisser suffisamment d'espace pour éviter tout court-circuit

- Marche à suivre pour changer l'entrée du dos au bas. [Fig. 7-0-2] (P.6)

- Ⓐ Filtre
- Ⓑ Plaque inférieure

1. Retirer le filtre à air. (Retirer d'abord la vis de blocage du filtre.)
2. Retirer la plaque inférieure.
3. Attacher la plaque de fond à l'arrière de l'appareil. [Fig. 7-0-3] (P.6)
(La position des trous de fixation sur la plaque diffère de ceux de l'orifice d'entrée arrière.) (Serrer les vis de la plaque de fond au couple de serrage de $1,4 \pm 0,2$ N.m.)



Si la plaque est fixée sur la face arrière, elle est plus haute que le panneau arrière.

Répliquer la plaque le long de la fente lorsque l'espace est insuffisant au-dessus de l'unité complète.
Les trous pour les vis sont cachés sous l'isolation. Vissez à travers l'isolation pour visser la plaque en place.

8. Installations électriques

8.1. Alimentation électrique

8.1.1. Alimentation de l'appareil intérieur provenant de l'appareil extérieur

Les schémas de connexion suivants sont disponibles.
Les schémas d'alimentation de l'appareil extérieur varient selon les modèles.

Système 1:1

[Fig. 8-1-1] (P.6)

- Ⓐ Source d'alimentation de l'appareil extérieur
- Ⓑ Interrupteur d'isolement
- Ⓒ Appareil extérieur
- Ⓓ Cordons de raccordement de l'appareil intérieur/extérieur
- Ⓔ Télécommande à fil
- Ⓕ Appareil intérieur
- Ⓖ Panneau du contrôleur intérieur
- Ⓗ Interface radiofréquence pour thermostat radiofréquence

- * Apposer une étiquette A fournie avec les manuels près de chaque schéma de câblage des appareils intérieur et extérieur.

Câblage électrique

		Modèle de l'appareil intérieur	PEAD
Câblage No du câble x taille en (mm ²)	Alimentation de l'appareil intérieur (Réchauffeur)		-
	Mise à la terre de l'alimentation de l'appareil intérieur (Réchauffeur)		-
	Appareil intérieur-appareil extérieur		3 x 1,5 (polar)
	Mise à la terre de l'appareil intérieur/extérieur		1 x Min. 1,5
Tension du circuit	Télécommande à fil-Appareil intérieur	*1	2 x 0,3 (Non-polar)
	Appareil intérieur (Réchauffeur) L-N	*2	-
	Appareil intérieur-appareil extérieur S1-S2	*2	230 V AC
	Appareil intérieur-appareil extérieur S2-S3	*2	24 V DC
	Télécommande à fil-Appareil intérieur	*2	14 V DC

*1. Le câble de 10 m [32 ft] est fixé à la télécommande à fil. 500 m [1640 ft] maximum

*2. Les chiffres ne s'appliquent PAS toujours à la mise à la terre.

La borne S3 présente une différence de 24 V DC par rapport à la borne S2. Les bornes S3 et S1 ne sont pas isolées électriquement par le transformateur ou tout autre appareil.

8. Installations électriques

- Remarques: 1. La taille des fils doit être conforme aux réglementations nationales et locales pertinentes.
2. Le poids des câbles de connexion entre l'appareil intérieur et l'appareil extérieur doit être égal ou supérieur au poids de câbles flexibles à gaine polychloroprène (conception 245 IEC57).
3. Installer un câble de terre plus long que les autres câbles.
4. Effectuez le câblage conformément aux règles de sécurité détaillées dans UL1995.

⚠ Attention:

Toujours utiliser des fusibles de la puissance indiquée. L'utilisation de fusibles, de fils ou de fils en cuivre à trop grande capacité peut provoquer un risque de mauvais fonctionnement ou d'incendie.

⚠ Attention:

Prendre des mesures pour éviter les fuites électriques, selon les besoins.

8.2. Branchement des fils intérieurs

Procédure

1. Enlevez les 2 vis pour détacher le couvercle de la boîte des composants électriques.
 2. Faites passer chaque câble par le point d'entrée des câbles et introduisez-les dans la boîte des composants électriques. (Procurez-vous le câble d'alimentation et le câble de connexion entre les unités extérieure et intérieure localement et utilisez la télécommande filaire fournie avec l'unité.)
 3. Raccorder solidement les câbles d'alimentation, de raccordement entrée-sortie et de la télécommande filaire aux blocs de raccordement.
 4. Pour l'interface radiofréquence.
Raccorder correctement le câble électrique de l'interface radiofréquence au connecteur CN105 (RED) du panneau du contrôleur intérieur.
Raccorder correctement les fils électriques aux bornes correspondantes.
 5. Fixez les câbles à l'aide de crampons à l'intérieur de la boîte des composants électriques.
 6. Remettez le couvercle du boîtier des composants électriques à sa place d'origine. (Serrer les vis du couvercle au boîtier à bornes au couple de serrage de 2,0 ±0,2 N·m.)
- Attachez le câble d'alimentation en courant et le câble des unités intérieure/extérieure à la boîte de commande en vous servant d'une douille tampon comme force de tension. (connexion PG ou similaire).

⚠ Avertissement:

- **Veillez remettre proprement le couvercle de la partie électrique. Autrement, il y aura risque d'incendie, ou de choc électrique à cause de la poussière, de l'eau etc. pouvant s'infiltrer.**
- **Utiliser le câble de connexion de l'unité intérieure/extérieure spécifié pour relier les unités intérieures et extérieures et fixer correctement le câble au bloc terminal de sorte de n'appliquer aucune pression à la section de connexion du bloc terminal. Toute connexion ou fixation incomplète du câble peut entraîner un incendie.**

[Fig. 8-2-1] (P.7)

- Ⓐ Cache-vis (1pc)
- Ⓑ Cache

[Fig. 8-2-2] (P.7)

- Ⓒ Boîtier à bornes
- Ⓓ Orifice d'éjection
- Ⓔ Retirer

[Fig. 8-2-3] (P.7)

- Ⓕ Utiliser une réduction PG pour maintenir le poids du câble et éviter qu'une force extérieure ne soit exercée sur connecteur de la borne d'alimentation. Utilisez un serre-câble pour fixer le câble.
- Ⓖ Câble de la source d'alimentation
- Ⓗ Utiliser une réduction ordinaire
- Ⓘ Câble de transmission
- Ⓝ Conduit
- Ⓚ Cadre latéral
- Ⓛ Orifice à dégager (pour le câblage de l'alimentation)
- Ⓜ Rondelle (accessoire)

[Fig. 8-2-4] (P.7)

- Ⓝ Bloc terminal pour la source d'alimentation et la transmission interne
- Ⓓ Bornier de la télécommande filaire
- Ⓔ Panneau du contrôleur intérieur
- Ⓕ L'interface radiofréquence est installée sur le panneau du contrôleur intérieur.
- Ⓖ CN105 (ROUGE/5P)
- Ⓗ Câblage pour l'interface radiofréquence

- Effectuez le câblage selon le diagramme en bas et à gauche. (Veillez vous procurer le câble localement.)
Assurez-vous que les câbles utilisés sont de la polarité correcte.

[Fig. 8-2-5] (P.7)

- Ⓐ Bornier intérieur
- Ⓑ Fil de mise à la terre (vert/jaune)
- Ⓒ Câble de connexion pour appareil intérieur/extérieur 3 conducteurs, 1,5 mm² [AWG 16] ou plus
- Ⓓ Bornier extérieur
- ① Câble de connexion
Câble à 3 noyaux de 1,5 mm² [AWG 16], conformément au Schéma 245 IEC 57.
- ② Embase de borne intérieur
- ③ Embase de borne extérieur
- ④ Posez toujours un câble de mise à la terre (1 noyau de 1,5 mm² [AWG 16]) plus long que les autres câbles.
- ⑤ Télécommande à fil
No. x taille de fil (mm²) : Câble 2C x 0,3
Fil accessoire de la télécommande
(longueur du câble : 10 m [32 ft], non polaire, max. 500 m [1640 ft])
- ⑥ Télécommande filaire

- Branchez les blocs de sorties comme l'indique le diagramme ci-dessous.

⚠ Attention:

- **Faites attention de brancher les fils correctement.**
- **Serrer fermement les vis des bornes pour les empêcher de se desserrer.**
- **Puis tirer légèrement sur les fils pour vous assurer qu'ils ne bougent pas.**

8.3. Télécommande (câblée)

8.3.1. Pour la télécommande filaire

1) Réglage de 2 télécommandes à fil

Si 2 télécommandes à fil sont connectées, régler la première sur "principal" et la seconde sur "auxiliaire". Pour prendre connaissance des procédures de configuration, consultez "Sélection des fonctions" dans le mode d'emploi de l'appareil intérieur.


8.3.2. Pour télécommande sans fil infrarouge

1) Lieu d'installation

- A l'abri des rayons directs du soleil.
- A l'écart de toute source de chaleur.
- A l'abri des courants d'air froids (ou chauds).
- Lieu ou la télécommande sans fil infrarouge peut être facilement utilisée.
- Hors de la portée des enfants.
- * Le signal peut parcourir environ 7 mètres [23 ft] (ligne droite) suivant 45 degrés vers la droite et la gauche de la ligne centrale du récepteur.

2) Réglage de la référence du modèle

[Fig. 8-3-1] (P.8)

- ① Insérer les batteries.
- ② Appuyer sur le bouton SET (Définir) avec un objet dont l'extrémité est pointue. Commencer cette opération avec l'affichage de la télécommande sans fil infrarouge désactivé.
MODEL SELECT clignote et la référence du modèle (Ⓐ) s'allume.
- ③ Appuyer sur le bouton  de température pour définir le numéro de modèle (Ⓐ).
- ④ Appuyer sur le bouton SET (Définir) avec un objet dont l'extrémité est pointue. **MODEL SELECT** et la référence du modèle (Ⓐ) s'allument pendant trois secondes, puis s'éteignent.

Modèle d'unité intérieure	Référence du modèle (Ⓐ)
PEAD	026

8.4. Réglage des fonctions

8.4.1. Réglage des fonctions sur l'appareil (Sélection des fonctions de l'appareil)

1) Pour télécommande câblée [Fig. 8-4-1] (P.8)

1. Modification des réglages de pression statique externe.

- Veillez à changer le réglage de la pression statique extérieure selon le conduit et la grille utilisés.

①

- Sélectionnez "Service" dans le menu général puis appuyez sur le bouton [CHOIX].
- Sélectionnez "Function settings" (Réglage des fonctions) à l'aide du bouton [F1] ou [F2] puis appuyez sur le bouton [CHOIX].

②

- Réglez les adresses de réfrigérant des unités intérieures et le nombre d'unités à l'aide des boutons [F1] à [F4], puis appuyez sur le bouton [CHOIX] pour valider le réglage actuel.

<Contrôle du No. Unité intérieure>

Une pression sur le bouton [CHOIX] démarre le ventilateur de l'unité intérieure. Si l'unité est commune, ou lorsque toutes les unités tournent, les ventilateurs de toutes les unités intérieures correspondant à l'adresse de réfrigérant démarrent.

8. Installations électriques

③

- Une fois la collecte de données terminée depuis les unités intérieures, les réglages actuels apparaissent en surbrillance. Les éléments qui ne sont pas en surbrillance indiquent qu'aucune fonction n'est réglée. L'aspect de l'écran varie en fonction du réglage "N° unité".

④

- Utilisez le bouton [F1] ou [F2] pour déplacer le curseur pour sélectionner la valeur du mode, puis modifiez-le à l'aide du bouton [F3] ou [F4].

Pression statique extérieure	No. de réglage du mode No. 08	No. de réglage du mode No. 10
35 Pa [0,14 in. WG]	2	1
50 Pa [0,20 in. WG] (en usine)	3	1
70 Pa [0,28 in. WG]	1	2
100 Pa [0,40 in. WG]	2	2
150 Pa [0,60 in. WG]	3	2

⑤

- Une fois les réglages terminés, appuyez sur le bouton [CHOIX] pour transmettre les données de réglage du contrôleur à distance aux unités intérieures.
- Une fois la transmission terminée, l'écran Réglage des fonctions réapparaît.

2. Autres fonctions

- ① Sélectionner le numéro d'appareil 00 pour les réglages. (Réglages pour tous les appareils intérieurs)
Se reporter au tableau des fonctions 1.
- ② Sélectionner les numéros de réglage 01 à 04 ou AL pour ces réglages. (Réglages pour chaque appareil intérieur)
Pour spécifier l'appareil intérieur dans un système individuel, sélectionner le numéro d'appareil 01.
Pour spécifier chaque appareil intérieur parmi deux, trois ou quatre appareils intérieurs raccordés, lorsque ces appareils fonctionnent ensemble, sélectionner un numéro d'appareil 01 à 04.
Pour spécifier tous les appareils intérieurs parmi deux, trois ou quatre appareils intérieurs raccordés lorsque ces appareils fonctionnent ensemble, sélectionner AL.
Se reporter au tableau des fonctions 2.

2) Pour télécommande sans fil infrarouge

[Fig. 8-4-2] (P.8)

- Ⓐ Hour button (bouton Heure)
- Ⓑ Minute button (bouton Minute)
- Ⓒ TEMP button (bouton Température)
- Ⓓ TEMP button (bouton Température)
- Ⓔ ON/OFF button (bouton Marche/Arrêt)
- Ⓕ CHECK button (bouton Vérification)

1. Modification des réglages de pression statique externe.

- Veillez à changer le réglage de la pression statique extérieure selon le conduit et la grille utilisés.

① Accédez au mode de sélection de fonction.

Appuyez deux fois de suite sur le bouton CHECK (Vérification) Ⓕ.
(Effectuez cette opération quand l'afficheur de la télécommande est éteint.)

Ⓕ (Vérification) s'éclaire et "00" clignote.

Appuyez une fois sur le bouton TEMP (Température) Ⓒ pour spécifier "50". Dirigez la télécommande sans fil vers le récepteur de l'appareil intérieur et appuyez sur le bouton Hour (Heure) Ⓐ.

② Réglage du numéro d'appareil

Appuyez sur les boutons TEMP (Température) Ⓒ et Ⓓ pour régler le numéro de l'unité sur 01-04 ou AL. Dirigez la télécommande sans fil vers le récepteur de l'unité intérieure et appuyez sur le bouton Minute (Minute) Ⓑ.

③ Sélection d'un mode

Entrez 08 pour modifier le réglage de la pression statique externe à l'aide des boutons Ⓒ et Ⓓ.

Dirigez la télécommande sans fil vers le récepteur de l'appareil intérieur et appuyez sur le bouton Hour (Heure) Ⓐ.

Numéro de réglage actuel : 1 = 1 bip (une seconde)
2 = 2 bips (une seconde chacun)
3 = 3 bips (une seconde chacun)

④ Sélection du numéro de réglage

Utiliser les boutons Ⓒ et Ⓓ pour modifier le réglage de la pression statique externe à utiliser.

Dirigez la télécommande sans fil vers le détecteur de l'appareil intérieur et appuyez sur le bouton Hour (Heure) Ⓐ.

⑤ Pour régler la pression statique externe

Répéter les étapes ③ et ④ pour régler le numéro du mode sur 10.

⑥ Terminez la sélection des fonctions.

Dirigez la télécommande sans fil vers le détecteur de l'appareil intérieur et appuyez sur le bouton ON/OFF (Marche/Arrêt) Ⓔ.

Remarque:

- Lorsque les réglages des fonctions sont changés après l'installation ou l'entretien, veillez à enregistrer les changements en les cochant dans la colonne "Cocher" du tableau de fonctions.

3) Réglage de la tension d'alimentation (Tableau des fonctions 1)

- Toujours veiller à modifier le réglage de tension en fonction de l'alimentation utilisée.

Tableau des fonctions 1

Sélectionner l'appareil numéro 00

Mode	Paramètre	No. de Mode	No. de réglage	Réglage initial	Cocher
Restauration automatique après une coupure de courant *1*2 (FONCTION DE REMISE EN MARCHÉ AUTOMATIQUE)	Non disponible	01	1	○	
	Disponible		2		
Détection de la température intérieure	Moyenne de fonctionnement de l'appareil intérieur	02	1	○	
	Réglée par la télécommande de l'appareil intérieur		2		
	Détecteur interne de la télécommande		3		
Connectivité LOSSNAY	Non supportée	03	1	○	
	Supportée (l'appareil intérieur n'est pas équipé d'une prise d'air extérieure)		2		
	Supportée (l'appareil intérieur est équipé d'une prise d'air extérieure)		3		
Tension d'alimentation	230V	04	1	○	
	208V		2		
Mode automatique	Cycle de préservation de l'énergie activé automatiquement	05	1	○	
	Cycle de préservation de l'énergie désactivé automatiquement		2		

8. Installations électriques

Tableau des fonctions 2

Sélectionner les appareils numéro 01 à 04 ou tous les appareils (AL [télécommande avec fil]/07 [télécommande sans fil])

Mode	Paramètre			No. de Mode	No. de réglage	Réglage initial	Cocher
Signe du filtre	100 Hr			07	1		
	2500 Hr				2		
	Pas d'indicateur de signe du filtre				3	○	
Pression statique extérieure	Pression statique externe	Réglage du numéro de mode n°08	Réglage du numéro de mode n°10	08	1		
	35 Pa [0,14 in. WG]	2	1		2		
	50 Pa [0,20 in. WG] (en usine)	3	1		3	○	
	70 Pa [0,28 in. WG]	1	2	10	1	○	
	100 Pa [0,40 in. WG]	2	2		2		
	150 Pa [0,60 in. WG]	3	2		3		

*1 Lorsque l'alimentation électrique est rétablie, le climatiseur se met en marche après 3 minutes ou 1 minute (charnière sur appareil extérieur).

*2 La configuration initiale de la restauration automatique en cas de coupure d'électricité dépend du branchement de l'appareil extérieur.

Remarque: Si la fonction d'un appareil intérieur a été changée en sélectionnant un autre fonction après l'installation, toujours indiquer le contenu en saisissant un ○ ou une autre marque dans la case à cocher appropriée des tableaux.

9. Marche d'essai

9.1. Avant la marche d'essai

- ▶ Lorsque l'installation, le tuyautage et le câblage des appareils intérieur et extérieur sont terminés, vérifier l'absence de fuites de réfrigérant, la fixation des câbles d'alimentation et de commande, l'absence d'erreur de polarité et contrôler qu'aucune phase de l'alimentation n'est déconnectée.
- ▶ Utiliser un mégohm-mètre de 500 V pour s'assurer que la résistance entre les terminaux d'alimentation électrique et la terre soit au moins de 1,0 MΩ.
- ▶ Ne pas effectuer ce test sur les terminaux des câbles de contrôle (circuit à basse tension).

⚠ Avertissement:

Ne pas utiliser le climatiseur si la résistance de l'isolation est inférieure à 1,0 MΩ.

Résistance de l'isolation

Après l'installation ou après la coupure prolongée de la source d'alimentation, la résistance de l'isolation chutera en deçà d'1 MΩ en raison de l'accumulation de réfrigérant dans le compresseur. Il ne s'agit pas d'un dysfonctionnement. Respectez les procédures suivantes.

1. Retirer les câbles du compresseur et mesurer la résistance de l'isolation du compresseur.
2. Si la résistance de l'isolation est inférieure à 1 MΩ, le compresseur est défaillant ou du réfrigérant s'est accumulé dans le compresseur.
3. Après avoir connecté les câbles au compresseur, celui-ci commence à chauffer dès qu'il est sous tension. Après avoir mis sous tension le compresseur pendant les durées indiquées ci-dessous, mesurer de nouveau la résistance de l'isolation.
 - La résistance de l'isolation chute en raison de l'accumulation de réfrigérant dans le compresseur. La résistance dépassera 1 MΩ après que le compresseur a chauffé pendant deux ou trois heures.
(Le temps mis par le compresseur pour chauffer varie selon les conditions atmosphériques et l'accumulation de réfrigérant).
 - Pour faire fonctionner le compresseur dans lequel s'est accumulé du réfrigérant, il est nécessaire de le faire chauffer pendant au moins 12 heures afin d'éviter toute défaillance.
4. Si la résistance de l'isolation dépasse 1 MΩ, le compresseur n'est pas défectueux.

⚠ Attention:

- Le compresseur fonctionnera uniquement si les connexions des phases de l'alimentation électrique sont correctes.
- Mettez l'appareil sous tension au moins 12 heures avant de le faire fonctionner.
- La mise en marche de l'appareil immédiatement après sa mise sous tension pourrait provoquer de sérieux dégâts aux éléments internes. Ne mettez pas l'appareil hors tension pendant la saison de fonctionnement.

9. Marche d'essai

9.2. Marche d'essai

9.2.1. Utilisation de la télécommande filaire

► Lisez attentivement le manuel d'utilisation avant le test fonctions. (En particulier les rubriques relatives à la sécurité)

Étape 1 Mettez sous tension.

- Télécommande: le système se met en mode de démarrage et le témoin d'alimentation de la télécommande (vert) et le message "PLEASE WAIT" (Veuillez patienter) clignotent. Tant que la lampe et le message clignotent, la télécommande ne peut pas être utilisée. Attendez que le message "PLEASE WAIT" (Veuillez patienter) ne soit plus affiché avant d'utiliser la télécommande. Après la mise sous tension, le message "PLEASE WAIT" (Veuillez patienter) s'affiche pendant environ 2 minutes.
 - Panneau du contrôleur intérieur: LED 1 est allumé, LED 2 est allumé (si l'adresse est 0) ou éteint (si l'adresse n'est pas 0), et LED 3 clignote.
 - Panneau du contrôleur extérieur: LED 1 (vert) et LED 2 (rouge) sont allumés. (Une fois le démarrage du système terminé, LED 2 s'éteint.) Si le panneau du contrôleur extérieur dispose d'un affichage numérique, [-] et [-] s'affichent alternativement, à intervalle d'une seconde.
- Si le système ne fonctionne pas correctement après exécution des procédures de l'étape 2 et suivantes, les causes suivantes doivent être recherchées et corrigées le cas échéant.
- (Les symptômes ci-dessous se produisent en mode de test fonctions. "Startup" (Démarrage) dans le tableau se réfère à l'affichage LED mentionné plus haut.)

Symptômes en mode de test fonctions		
Affichage de la télécommande	Affichage LED PANNEAU EXTERIEUR < > indique affichage numérique.	Cause
La télécommande affiche "PLEASE WAIT" (Veuillez patienter) et est inutilisable.	Après affichage de "startup" (démarrage), seul le témoin vert s'allume. <00>	• Après mise sous tension, "PLEASE WAIT" (Veuillez patienter) est affiché pendant 2 minutes pendant le démarrage du système. (Normal)
Après mise sous tension, "PLEASE WAIT" (Veuillez patienter) est affiché pendant 3 minutes puis un code d'erreur s'affiche.	Après affichage de "startup" (démarrage), les témoins vert (une fois) et rouge (une fois) clignotent en alternance. <F1>	• Mauvaise connexion du bloc de sorties extérieur (R, S, T et S ₁ , S ₂ , S ₃ .)
	Après affichage de "startup" (démarrage), les témoins vert (une fois) et rouge (deux fois) clignotent en alternance. <F3, F5, F9>	• Le connecteur du dispositif de protection de l'appareil extérieur est ouvert.
Rien ne s'affiche même lorsque la télécommande est activée. (Le témoin de fonctionnement ne s'allume pas.)	Après affichage de "startup" (démarrage), les témoins vert (deux fois) et rouge (une fois) clignotent en alternance. <EA, Eb>	• Câblage Incorrect entre l'appareil intérieur et l'appareil extérieur (mauvaise polarité pour S ₁ , S ₂ , S ₃ .) • Court-circuit du fil de transmission de la télécommande.
	Après affichage de "startup" (démarrage), seul le témoin vert s'allume. <00>	• Il n'y a pas d'appareil extérieur dont l'adresse est 0. (L'adresse est autre que 0.) • Circuit du fil de transmission de la télécommande ouvert.
L'affichage apparaît mais s'efface rapidement même lorsque la télécommande est utilisée.	Après affichage de "startup" (démarrage), seul le témoin vert s'allume. <00>	• Après utilisation de la fonction d'annulation, toute utilisation est impossible pendant environ 30 secondes. (Normal)

Étape 2 Placez la télécommande sur "Test run" (Test fonctions).

- ① Dans le Menu SAV, sélectionnez "Test run" (Test fonctions) puis appuyez sur le bouton [CHOIX]. [Fig. 9-2-1] (P.9)
- ② Dans le Menu test de fonctionnement, sélectionnez "Test run" (Test fonctions) puis appuyez sur le bouton [CHOIX]. [Fig. 9-2-2] (P.9)
- ③ Le test fonctions démarre et l'écran Test fonctions s'affiche.

Étape 3 Effectuez le test fonctions et vérifiez la température du courant d'air et le volet automatique.

- ① Appuyez sur le bouton [F1] pour changer de mode de fonctionnement. [Fig. 9-2-3] (P.9)
Mode de refroidissement: vérifiez si la soufflerie souffle de l'air froid.
Mode de chauffage: vérifiez si la soufflerie souffle de l'air chaud.

Étape 4 Vérifiez le fonctionnement du ventilateur de l'appareil extérieur.

La vitesse du ventilateur de l'appareil extérieur est commandée de manière à contrôler les performances de l'appareil. En fonction de la température de l'air ambiant, le ventilateur tournera à faible vitesse et continuera à tourner à cette vitesse à moins que les performances ne soient insuffisantes. Par conséquent, le vent extérieur peut provoquer l'arrêt du ventilateur, ou sa rotation en sens inverse, mais ceci ne constitue pas un problème.

Étape 5 Arrêtez le test fonctions.

- ① Appuyez sur le bouton [ON/OFF] (Marche/Arrêt) pour arrêter le test fonctions. (Le Menu test de fonctionnement s'affiche.)
Remarque: si une erreur s'affiche sur la télécommande, voir le tableau ci-dessous.

LCD	Description du dysfonctionnement	LCD	Description du dysfonctionnement	LCD	Description du dysfonctionnement
P1	Erreur du capteur d'admission	P9	Erreur du capteur sur tuyaux (tuyau à paroi double)	E0 – E5	Erreur de communication entre la télécommande et l'appareil intérieur
P2	Erreur du capteur sur tuyaux (tuyau de liquide)	PA	Erreur de fuite (système de réfrigérant)		
P4	Connecteur de l'interrupteur à flotteur d'écoulement déconnecté (CN4F)	PB (Pb)	Erreur du moteur de l'appareil intérieur		
		PL	Circuit de réfrigérant anormal		
P5	Sécurité d'écoulement et de trop-plein activée	FB	Erreur du panneau du contrôleur intérieur	E6 – EF	Erreur de communication entre l'appareil intérieur et l'appareil extérieur
P6	Protection contre le gel/la surchauffe activée	U*, F* (* représente un caractère alphanumérique sauf FB.)	Dysfonctionnement de l'appareil extérieur. Référez-vous au diagramme de câblage de l'appareil extérieur.		
P8	Erreur de température des tuyaux				

9. Marche d'essai

- Voir le tableau ci-dessous pour les détails de l'affichage LED (LED 1, 2 et 3) du panneau du contrôleur intérieur.

LED1 (alimentation du micro-ordinateur)	Indique si l'alimentation est fournie au contrôleur. Ce témoin doit toujours être allumé.
LED2 (alimentation de la télécommande)	Indique si l'alimentation est fournie à la télécommande filaire. Ce témoin s'allume uniquement pour l'appareil intérieur raccordé à l'appareil extérieur dont l'adresse est 0.
LED3 (communication entre les appareils intérieur et extérieur)	Indique si les appareils intérieur et extérieur communiquent. Ce témoin doit toujours clignoter.

Remarque:

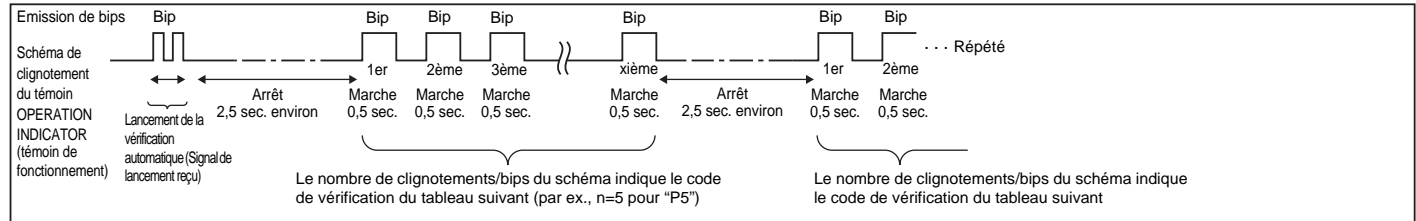
Si l'appareil fonctionne de manière continue pendant une marche d'essai, il s'arrête après 2 heures.

9.3. Auto-vérification

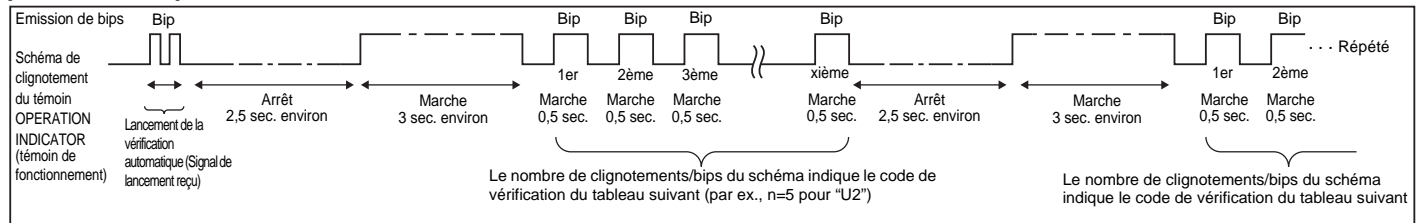
- Pour en savoir plus, consultez le manuel d'installation fourni avec chaque télécommande.
- Thermostat radiofréquence non établi.

- Consultez les tableaux suivants pour obtenir de plus amples informations sur les codes de vérification. (Télécommande sans fil)

[Schéma de sortie A]



[Schéma de sortie B]



[Type de message A] Erreurs détectées par l'appareil intérieur

Télécommande sans fil infrarouge	Thermostat radiofréquence de télécommande à fil	Symptôme	Remarque
Bips/Clignotement du témoin OPERATION INDICATOR (Nombre de fois)	Code de contrôle		
1	P1	Erreur de détecteur d'entrée d'air	
2	P2, P9	Erreur de détecteur de tuyau (liquide ou tuyau à 2 phases)	
3	E6, E7	Erreur de communication entre les appareils intérieur et extérieur	
4	P4	Erreur de détecteur d'écoulement	
5	P5	Erreur de pompe d'écoulement	
6	P6	Protection contre le gel/les surchauffes	
7	EE	Erreur de communication entre les appareils intérieur et extérieur	
8	P8	Erreur de température des tuyaux	
9	E4	Erreur de réception des signaux de la télécommande	
10	—	—	
11	—	—	
12	Fb	Erreur du système de commande de l'appareil intérieur (erreur de mémoire, etc.)	
Aucun son	—	Aucune correspondance	

9. Marche d'essai

[Type de message B] Erreurs détectées par un autre appareil que l'appareil intérieur (appareil extérieur, etc.)

Télécommande sans fil infrarouge	Thermostat radiofréquence de télécommande à fil	Symptôme	Remarque
Bips/Clignotement du témoin OPERATION INDICATOR (Nombre de fois)	Code de contrôle		
1	E9	Erreur de communication entre les appareils intérieur et extérieur (Erreur de transmission) (Appareil extérieur)	Pour le détail, vérifiez l'afficheur LED de la carte de commande extérieure.
2	UP	Interruption des surintensités du compresseur	
3	U3, U4	Ouverture/Court-circuit des thermistances de l'appareil extérieur	
4	UF	Interrupteur des surintensités du compresseur (Lorsque le compresseur est verrouillé)	
5	U2	Température de la sortie d'air anormalement élevée/49C en fonctionnement/réfrigérant insuffisant	
6	U1, Ud	Pression anormalement élevée (63H en fonctionnement)/Protection contre les surchauffes	
7	U5	Température du dissipateur de chaleur anormale	
8	U8	Arrêt de la protection du ventilateur de l'appareil extérieur	
9	U6	Interruption des surintensités du compresseur/Anomalie du module d'alimentation	
10	U7	Anomalie du chauffage super chaud en raison d'une faible température de sortie d'air	
11	U9, UH	Anomalie telle qu'une surintensité ou une baisse de tension et signal synchrone anormal sur le circuit principal/Erreur de détection de courant	
12	–	–	
13	–	–	
14	Autres	Autres erreurs (Reportez-vous au manuel technique de l'appareil extérieur.)	

*1 Si le bip ne retentit pas de nouveau après la réception des deux bips initiaux confirmant le signal de démarrage de l'autocontrôle et si le témoin OPERATION INDICATOR ne s'allume pas, les erreurs ne seront pas enregistrées.

*2 Si le bip retentit trois fois de suite "bip, bip, bip (0,4 + 0,4 + 0,4 sec)" après la réception des deux bips initiaux confirmant le signal de démarrage de l'autocontrôle, l'adresse de réfrigérant spécifiée n'est pas correcte.

- Sur la télécommande sans fil infrarouge
La sonnerie continue de la section de réception de l'appareil intérieur retentit.
Clignotement du témoin de fonctionnement
- Sur la télécommande sans fil
Code de vérification affiché sur l'afficheur LCD.
- Si l'appareil ne fonctionne pas correctement après la marche d'essai ci-dessus, reportez-vous au tableau suivant pour résoudre le problème.

Symptôme		Cause
Télécommande sans fil	LED 1, 2 (CCI de l'appareil extérieur)	
VEUILLEZ ATTENDRE	Pendant les 2 minutes environ qui suivent la mise sous tension	Après l'éclairage de la LED 1, 2, la LED 2 s'éteint, et seule la LED 1 reste éclairée. (Fonctionnement correct)
VEUILLEZ ATTENDRE → Code d'erreur	Environ 2 minutes après la mise sous tension	Seule la LED 1 est éclairée. → Les LED 1 et 2 clignent.
Les messages n'apparaissent pas même lorsque le commutateur de fonctionnement est sur ON (le témoin de fonctionnement ne s'allume pas).		Seule la LED 1 est éclairée. → Les LED 1 et 2 clignent deux fois, la LED 2 clignote une fois.

Dans les conditions répertoriées ci-avant, le phénomène suivant se produit au niveau de la télécommande sans fil infrarouge.

- Aucun signal n'est accepté par la télécommande.
- Le témoin OPE clignote.
- La sonnerie émet un court cliquetis.

Remarque:

Le fonctionnement n'est pas possible durant les 30 secondes suivant l'annulation de la sélection d'une fonction. (Fonctionnement correct)

9.4. FONCTION DE REDEMARRAGE AUTOMATIQUE

Carte du contrôleur intérieur

Le présent modèle est équipé d'une FONCTION DE REMISE EN MARCHÉ AUTOMATIQUE.

Lorsque l'appareil intérieur est contrôlé à l'aide de la télécommande, le mode de fonctionnement, la température réglée et la vitesse du ventilateur sont mémorisés par la carte du contrôleur intérieur. La fonction de redémarrage automatique remet l'appareil en service au moment où la tension secteur est rétablie après une coupure de courant.

Régler la FONCTION DE REMISE EN MARCHÉ AUTOMATIQUE avec la télécommande. (Mode No. 01)

10. Fonction d'entretien aisé

Les données de maintenance, telles que la température de l'échangeur thermique et le courant de fonctionnement du compresseur de l'appareil intérieur/extérieur, peuvent être affichées à l'aide de la fonction "Smooth maintenance" (Entretien facile).

***Ceci ne peut pas être effectué en mode d'essai.**

***En fonction de la combinaison avec l'appareil extérieur, ceci peut ne pas être pris en charge par certains modèles.**

① [Fig. 10-0-1] (P.9)

- Sélectionnez "Service" dans Main menu (menu général) puis appuyez sur le bouton [CHOIX].
- Sélectionnez "Check" (Vérif.) à l'aide du bouton [F1] ou [F2] puis appuyez sur le bouton [CHOIX].
- Sélectionnez "Smooth maintenance" (Entretien facile) à l'aide du bouton [F1] ou [F2] puis appuyez sur le bouton [CHOIX].

② [Fig. 10-0-2] (P.9)

Sélectionnez chaque élément

- Sélectionnez l'élément à modifier à l'aide du bouton [F1] ou [F2].
- Sélectionnez le réglage requis à l'aide du bouton [F3] ou [F4].

Réglage "Ref. address" (Adresse réf.)..... "0" - "15"

Réglage "Stable mode" (Mode stable) "Cool" (Froid) / "Heat" (Chaud) / "Normal"

- Appuyez sur le bouton [CHOIX], le fonctionnement stable démarre.
- * Stable mode (mode Stable) prend environ 20 minutes.

③ [Fig. 10-0-3] (P.9)

Les données de fonctionnement apparaissent.

La durée cumulative de fonctionnement du compresseur (COMP. run) est exprimée en unités de 10 heures, et le nombre de cycles marche/arrêt (COMP. On/Off) en unités de 100 fois (sans fractions).

Naviguer dans les écrans

- Pour revenir au Menu général..... Bouton [MENU]
- Pour revenir à l'écran précédent Bouton [RETOUR]

11. Entretien

11.1. Charge de Gaz

[Fig. 11-1-1] (P.10)

- Ⓐ Appareil intérieur
- Ⓑ Raccord
- Ⓒ Conduite de liquide
- Ⓓ Conduit de gaz réfrigérant
- Ⓔ Robinet d'arrêt
- Ⓕ Appareil extérieur
- Ⓖ Vanne de fonctionnement du cylindre de réfrigérant
- Ⓗ Cylindre de gaz réfrigérant pour R410A, avec siphon
- ① Réfrigérant (liquide)
- Ⓙ Echelle électronique pour la charge de réfrigérant
- Ⓚ Conduite flexible de chargement (pour le R410A)
- Ⓛ Jauge collectrice (pour le R410A)
- Ⓜ Prise de service

1. Raccorder le tuyau de gaz au port de service de la vanne d'arrêt (à 3 voies).
2. Purger l'air du tuyau raccordé au tuyau de gaz réfrigérant.
3. Ajouter la quantité spécifiée de réfrigérant, pendant que le climatiseur fonctionne en mode rafraîchissement.

Remarque:

En cas d'ajout de réfrigérant, respecter la quantité précisée pour le cycle de réfrigération.

⚠ Attention:

- **Ne pas décharger le réfrigérant dans l'atmosphère.**
Faire attention de ne pas décharger le réfrigérant dans l'atmosphère durant l'installation, une nouvelle installation ou la réparation du circuit réfrigérant.
- **En cas de supplément de charge, charger le réfrigérant sous sa forme liquide à partir d'un cylindre de gaz.**
Si le réfrigérant est chargé sous sa forme gazeuse, sa composition risque de se modifier à l'intérieur du cylindre et dans l'appareil extérieur. Dans ce cas, la capacité de refroidissement du réfrigérant diminue ou le fonctionnement normal peut même s'avérer impossible. Attention: une charge trop rapide de tout le réfrigérant liquide risque de bloquer le compresseur; dès lors, nous conseillons de charger le réfrigérant lentement.

Pour maintenir une pression élevée dans le cylindre de gaz, le réchauffer avec de l'eau chaude (d'une température inférieure à 40 °C [104 °F]) pendant la saison froide. Ne jamais utiliser une flamme vive ou de la vapeur pour effectuer cette opération.

Contenido

1. Precauciones de seguridad	36	9. Realización de pruebas	43
2. Selección de la ubicación de instalación	37	10. Función de mantenimiento sencillo	46
3. Selección de un lugar para la instalación y accesorios	37	11. Mantenimiento	47
4. Fijación de los pernos de suspensión	37		
5. Instalación de la unidad	38		
6. Tareas con la tubería del refrigerante	38		
7. Empalme de los conductos	40		
8. Tareas eléctricas	41		

En este manual de instalación se describe únicamente la unidad interior y la unidad exterior conectada de la serie PUHZ.
Si la unidad exterior conectada es de la serie MXZ, consulte el Manual de instalación de la serie MXZ.

1. Precauciones de seguridad

- Por favor, comuníquese con la autoridad de suministro u obtenga su consentimiento antes de la conexión al sistema.
- Asegúrese de leer las "Precauciones de seguridad" antes de instalar el acondicionador de aire.
- Asegúrese de observar las precauciones que se especifican aquí, ya que incluyen elementos importantes relacionados con la seguridad.
- Las indicaciones y significados son los siguientes.

⚠ Advertencia:

Podría causar la muerte, lesiones graves, etc.

⚠ Precaución:

Si se utiliza de forma incorrecta, puede provocar lesiones graves en entornos particulares.

- Después de leer este manual, asegúrese de guardarlo junto con el manual de instrucciones en un lugar a mano en el sitio del cliente.

⚠ Advertencia:

- No lo instale usted mismo (cliente).

Una instalación incompleta podría causar lesiones por incendio, descarga eléctrica, caída de la unidad o fuga de agua. Consulte con el distribuidor al que compró la unidad o con el instalador especial.

- Instale la unidad de forma segura en un lugar que pueda soportar el peso de la unidad.

Si se instala en un lugar con poca resistencia, la unidad podría caerse y causar lesiones.

- Utilice los cables especificados para conectar las unidades interiores y exteriores de forma segura y sujete los cables firmemente a las secciones de conexión del tablero del terminal de modo que la tensión de los cables no se aplique a las secciones.

Una conexión y una fijación incompletas podrían provocar un incendio.

- No utilice una conexión intermedia del cable de alimentación o del cable de extensión y no conecte muchos dispositivos a una toma de corriente alterna. Podría provocar un incendio o una descarga eléctrica debido a un contacto defectuoso, un aislamiento defectuoso, una corriente superior a la permitida, etc.

- Compruebe que el gas refrigerante no tenga fugas una vez finalizada la instalación.

⚠ Precaución:

- No utilice la unidad en un entorno inusual. Si el acondicionador de aire se instala en áreas expuestas a vapor, aceite volátil (incluyendo aceite de máquina) o gas sulfúrico, áreas expuestas a un alto contenido de sal como la costa, el rendimiento puede reducirse significativamente y las partes internas pueden dañarse.

- No instale la unidad donde puedan producirse, fluir, acumularse gases combustibles o donde pueda haber fugas de los mismos. Si se acumula gas combustible alrededor de la unidad, puede producirse un incendio o una explosión.

- No guarde alimentos, plantas, mascotas enjauladas, obras de arte o instrumentos de precisión en el flujo de aire directo de la unidad interior o demasiado cerca de la unidad, ya que estos artículos pueden dañarse por cambios de temperatura o goteo de agua.

- Cuando la humedad de la habitación supera el 80% o cuando la tubería de drenaje está obstruida, puede que la unidad interior gotee a causa de la condensación. No instale la unidad interior en lugares donde el goteo pueda causar daños.

- Cuando instale la unidad en un hospital o en una oficina de comunicaciones, esté preparado para el ruido y las interferencias electrónicas. Los inversores, los electrodomésticos, los equipos médicos de alta frecuencia y los equipos de radiocomunicaciones pueden hacer que el acondicionador de aire funcione mal o se averíe. El aire acondicionado también puede afectar al equipo médico, a la atención médica perturbadora y al equipo de comunicaciones, dañando la calidad de la pantalla.

Símbolos de la unidad

⊘ : Indica una acción que debe evitarse.

⚠ : Indica que deben seguirse instrucciones importantes.

⚡ : Indica una pieza que debe estar conectada a tierra.

⚠ : Indica que debe tenerse cuidado con las piezas giratorias.

⚡ : Indica que el interruptor principal debe estar apagado antes de realizar el mantenimiento.

⚠ : Tenga cuidado con las descargas eléctricas.

⚠ : Tenga cuidado con la superficie caliente.

⚠ Advertencia:

Lea atentamente las etiquetas adheridas a la unidad principal.

- Realice la instalación de forma segura consultando el manual de instalación. Una instalación incompleta podría causar lesiones personales por incendio, descarga eléctrica, caída de la unidad o fuga de agua.

- Realice los trabajos eléctricos de acuerdo con el manual de instalación y asegúrese de utilizar un circuito exclusivo.

Si la potencia del circuito es insuficiente o hay trabajo eléctrico incompleto, podría provocar un incendio o una descarga eléctrica.

- Conecte la cubierta de la parte eléctrica a la unidad interior y el panel de servicio a la unidad exterior de forma segura.

Si la cubierta de la parte eléctrica de la unidad interior y/o el panel de servicio de la unidad exterior no están bien fijados, podría producirse un incendio o una descarga eléctrica debido al polvo, agua, etc.

- Asegúrese de utilizar la pieza suministrada o las piezas especificadas para el trabajo de instalación.

El uso de piezas defectuosas podría causar lesiones o fugas de agua debido a un incendio, una descarga eléctrica, la caída de la unidad, etc.

- Ventile la habitación si hay fugas de refrigerante durante el funcionamiento.

Si el refrigerante entra en contacto con una llama se producirán gases tóxicos.

- Realice la puesta a tierra.

No conecte el cable de tierra a una tubería de gas o de agua, a un pararrayos, ni al cable del teléfono. Una conexión a tierra defectuosa podría causar una descarga eléctrica.

- No instale la unidad en un lugar donde haya fugas de gas inflamable.

Si el gas se filtra y acumula en el área que rodea la unidad, podría causar una explosión.

- Tome las medidas necesarias para evitar las fugas eléctricas.

- Realice el trabajo de drenaje/tuberías de forma segura de acuerdo con el manual de instalación.

Si hay un defecto en el trabajo de drenaje/tuberías, el agua podría caer de la unidad y los artículos domésticos podrían mojarse y dañarse.

- Apriete una tuerca abocardada con una llave dinamométrica como se especifica en este manual.

Cuando se aprieta demasiado, una tuerca abocardada puede romperse después de un largo período de tiempo y causar una fuga de refrigerante.

2. Selección de la ubicación de instalación

2.1. Unidad interior

- Donde no se bloquee el flujo de aire.
- Donde el aire fresco se esparza por toda la habitación.
- Donde no esté expuesta a la luz solar directa.
- A una distancia de 1 m [3-1/4 pies] o más de su televisor y radio (para evitar que se distorsione la imagen o se genere ruido).

- En un lugar lo más alejado posible de las luces fluorescentes e incandescentes (para que el controlador remoto por infrarrojos pueda hacer funcionar el acondicionador de aire con normalidad).
- Donde el filtro de aire se pueda extraer y reemplazar fácilmente.

⚠ Advertencia:

Monte la unidad interior en un techo lo suficientemente resistente como para soportar el peso de la unidad.

2.2. Unidad exterior

Consulte el manual de instalación de la unidad exterior.

3. Selección de un lugar para la instalación y accesorios

- Seleccione un lugar con una superficie fija resistente que pueda soportar el peso de la unidad.
- Antes de instalar la unidad, debe determinarse el trayecto que debe recorrerse para transportarla hasta el lugar de la instalación.
- Seleccione un lugar en el que la unidad no se vea afectada por las corrientes de aire.
- Seleccione un lugar en el que el flujo del aire de entrada y de salida no quede bloqueado.
- Seleccione un lugar desde el que resulte sencillo guiar las tuberías de refrigerante hacia el exterior.
- Seleccione un lugar desde el que sea posible distribuir el aire por toda la habitación.
- No instale la unidad en un lugar en donde puedan producirse salpicaduras de aceite o vapor.
- No instale la unidad en un lugar en donde se puede generar, acumular o fugar gas combustible.
- No instale la unidad en un lugar donde haya equipo que genere ondas de alta frecuencia (por ejemplo, un soldador de ondas de alta frecuencia).
- No instale la unidad en un lugar donde el detector de incendios esté ubicado en el lado del aire de suministro. (El detector de incendios puede funcionar erróneamente debido al aire caliente suministrado durante la operación de calefacción.)
- Evite los lugares donde las soluciones ácidas se manejan con frecuencia.
- Evite los lugares donde se utilicen frecuentemente aerosoles a base de azufre u otros.
- Cuando se haya de hacer la instalación en lugares donde puedan abundar los productos químicos, como hospitales o plantas químicas, conviene hacer algunos estudios antes de instalar la unidad. (Los componentes de plástico podría dañarse según el tipo de productos químicos de los que se trate.)
- Si se opera la unidad por largo tiempo cuando el aire arriba del techo esté con alta temperatura/alta humedad (punto de condensación arriba de 26 °C [79 °F]), podrá haber formación de gotas de rocío en la unidad interior. Al operar las unidades en estas condiciones, añada material aislante (10-20 mm [13/32 a 13/16 pulg.]) en toda la superficie de la unidad interior para evitar la formación de gotas de rocío.

(1) Cuando hay disponible un espacio de 300 mm [11-13/16 pulg.] o más debajo de la unidad entre la unidad y el techo (Fig. 3-2-1)

- Cree una puerta de acceso 1 y 2 (450 x 450 mm [17-3/4 x 17-3/4 pulg.] cada una) tal y como se muestra en la Fig. 3-2-2. (La puerta de acceso 2 no es necesaria si hay disponible suficiente espacio debajo de la unidad para que se introduzca un trabajador de mantenimiento.)

(2) Cuando hay disponible un espacio de menos de 300 mm [11-13/16 pulg.] debajo de la unidad entre la unidad y el techo (Por lo menos debería dejarse 20 mm [13/16 pulg.] de espacio debajo de la unidad como se muestra en la Fig. 3-2-3.)

- Cree una puerta de acceso 1 diagonalmente debajo de la caja eléctrica y una puerta de acceso 3 debajo de la unidad como se muestra en la Fig. 3-2-4.

- o Cree una puerta de acceso 4 debajo del cuadro eléctrico y la unidad como se muestra en la Fig. 3-2-5.

[Fig. 3-2-1] (P.2)

[Fig. 3-2-2] (Viewed from the direction of the arrow A) (P.2)

[Fig. 3-2-3] (P.2)

[Fig. 3-2-4] (Viewed from the direction of the arrow B) (P.2)

[Fig. 3-2-5] (Viewed from the direction of the arrow B) (P.2)

- Ⓐ Cuadro eléctrico
- Ⓑ Techo
- Ⓒ Viga del techo
- Ⓓ Puerta de acceso 2 (450 mm x 450 mm [17-3/4 pulg. x 17-3/4 pulg.])
- Ⓔ Puerta de acceso 1 (450 mm x 450 mm [17-3/4 pulg. x 17-3/4 pulg.])
- Ⓕ Espacio de acceso para mantenimiento
- Ⓖ Suministro de aire
- Ⓗ Entrada de aire
- Ⓘ Parte inferior de la unidad interior
- Ⓚ Puerta de acceso 3
- Ⓛ Puerta de acceso 4

3.1. Instale la unidad interior en un techo suficientemente resistente como para aguantar su peso

⚠ Advertencia:

La unidad se debe instalar de forma segura en una estructura que pueda aguantar su peso. Si la unidad se monta en una estructura que no tenga la fuerza suficiente, puede caer y causar lesiones.

3.2. Instalación de seguridad y espacio de mantenimiento

Asegúrese de dejar suficiente espacio de acceso para permitir el mantenimiento, inspección y el cambio de motor, ventilador, bomba de drenaje, intercambiador de calor y el cuadro eléctrico de una de las maneras siguientes.

Seleccione un sitio de instalación para la unidad interior de manera que el espacio de acceso para mantenimiento no sea obstruido por vigas u otros objetos.

3.3. Componentes suministrados con la unidad interior

La unidad se suministra con los siguientes componentes:

Núm.	Nombre	Cantidad
①	Tapa de la tubería (para la junta de la tubería de refrigerante) Diámetro pequeño	1
②	Tapa de la tubería (para la junta de la tubería de refrigerante) Diámetro grande	1
③	Bandas para el apriete temporal de la tapa de la tubería y de la manguera de drenaje	8
④	Arandela (cuadrada)	8
⑤	Manguito de drenaje	2
⑥	Arandela (redonda)	2
⑦	Manual de instalación	1
⑧	Manual de instrucciones	1

4. Fijación de los pernos de suspensión

4.1. Fijación de los pernos de suspensión

[Fig. 4-1-1] (P.3)

- Ⓐ Centro de gravedad

(Procure que el lugar de suspensión tenga una estructura resistente.)

Estructura de suspensión

- Techo: La estructura del techo varía de un edificio a otro. Consulte los detalles de su edificio con la compañía constructora.

Centro de gravedad y peso del producto

Nombre del modelo	W mm [pulg.]	L mm [pulg.]	X mm [pulg.]	Y mm [pulg.]	Z mm [pulg.]	Peso del producto kg [lb]
PEAD-A09AA8	643 [25-5/16]	954 [37-9/16]	340 [13-3/8]	375 [14-3/4]	130 [5-1/8]	26 [58]
PEAD-A12AA8	643 [25-5/16]	954 [37-9/16]	340 [13-3/8]	375 [14-3/4]	130 [5-1/8]	26 [58]
PEAD-A15AA8	643 [25-5/16]	954 [37-9/16]	340 [13-3/8]	375 [14-3/4]	130 [5-1/8]	27 [60]
PEAD-A18AA8	643 [25-5/16]	954 [37-9/16]	340 [13-3/8]	375 [14-3/4]	130 [5-1/8]	27 [60]
PEAD-A24AA8	643 [25-5/16]	1154 [45-7/16]	325 [12-13/16]	525 [20-11/16]	130 [5-1/8]	30 [67]
PEAD-A30AA8	643 [25-5/16]	1154 [45-7/16]	325 [12-13/16]	525 [20-11/16]	130 [5-1/8]	30 [67]
PEAD-A36AA8	643 [25-5/16]	1454 [57-1/4]	330 [13]	675 [26-9/16]	130 [5-1/8]	38 [84]

- Si necesario, refuerce los pernos de suspensión con soportes anti-terremotos como medidas contra terremotos.

* Utilice M10 para pernos de suspensión y soportes anti-terremotos (suministrado en obra).

- ① Es necesario reforzar el techo con elementos adicionales (viga de borde, etc.) para mantener el techo a nivel y para evitar vibraciones en el techo.
- ② Corte y extraiga los elementos del techo.
- ③ Refuerce los elementos del techo y agregue otros para fijar las tablas del techo.

5. Instalación de la unidad

5.1. Suspensión del cuerpo de la unidad

- ▶ Lleve la unidad interior hasta el lugar de su instalación tal como viene empaquetada.
- ▶ Para colgar la unidad interior, use un aparato elevador para subirla y pasarla a través de los pernos de suspensión.

[Fig. 5-1-1] (P.3)

- Ⓐ Cuerpo de la unidad
- Ⓑ Montacargas

[Fig. 5-1-2] (P.3)

- Ⓒ Tuercas (suministrado en obra)
- Ⓓ Arandelas (accesorio)
- Ⓔ Perno de suspensión M10 (suministrado en obra)

5.2. Confirmación de la posición de la unidad y fijación de los pernos de suspensión

- ▶ Asegúrese de que las tuercas de los pernos de suspensión están apretadas y de que estos quedan bien fijos.
- ▶ Para asegurarse de que se produzca la descarga del drenaje, compruebe con un nivel que la unidad ha quedado perfectamente horizontal.

⚠ **Precaución:**

Instale la unidad en posición horizontal. Si el lado con la conexión de drenaje se instala más alto, podrían producirse fugas de agua.

6. Tareas con la tubería del refrigerante

6.1. Tubería de refrigerante

[Fig. 6-1-1] (P.3)

- Ⓐ Unidad interior
- Ⓑ Unidad exterior

Consulte el manual de instrucciones que viene con la unidad exterior para conocer las restricciones sobre la diferencia de altura entre unidades y la cantidad de carga adicional de refrigerante.

- Evite los siguientes lugares de instalación en los que pueda haber problemas con el aire acondicionado.
- Donde hay demasiado aceite, como en las máquinas o en la cocina.
 - Entorno salino como zonas costeras.
 - Zonas de aguas termales.
 - Donde existe el gas sulfuroso.
 - Otras áreas atmosféricas especiales.
 - Esta unidad tiene conexiones abocardadas tanto en interiores como en exteriores.

[Fig. 6-1-1]

- Las tuberías de refrigerante se utilizan para conectar las unidades interiores y exteriores como se muestra en la figura siguiente.
- Aísle completamente las tuberías de refrigerante y de drenaje para evitar la condensación.

Preparación de tuberías

- Tubería de refrigerante de 3, 5, 7, 10 y 15 m [9-13/16, 16-3/8, 22-15/16, 32-1/4 y 49-3/16 pies] disponibles como elementos opcionales.

(1) La siguiente tabla muestra las especificaciones de las tuberías disponibles en el mercado.

Modelo	Tubo	Diámetro exterior		Espesor mínimo de pared		Espesor del aislamiento		Material aislante
		mm	pulg.	mm	pulg.	mm	pulg.	
PEAD-A09AA8	Para líquido	6,35	1/4	0,8	1/32	8	5/16	Espuma plástica resistente al calor 0,045 gravedad específica
	Para gas	9,52	3/8	0,8	1/32	8	5/16	
PEAD-A12AA8	Para líquido	6,35	1/4	0,8	1/32	8	5/16	
	Para gas	12,7	1/2	0,8	1/32	8	5/16	
PEAD-A15AA8	Para líquido	6,35	1/4	0,8	1/32	8	5/16	
	Para gas	12,7	1/2	0,8	1/32	8	5/16	
PEAD-A18AA8	Para líquido	6,35	1/4	0,8	1/32	8	5/16	
	Para gas	12,7	1/2	0,8	1/32	8	5/16	
PEAD-A24AA8	Para líquido	9,52	3/8	0,8	1/32	8	5/16	
	Para gas	15,88	5/8	1,0	1/32	8	5/16	
PEAD-A30AA8	Para líquido	9,52	3/8	0,8	1/32	8	5/16	
	Para gas	15,88	5/8	1,0	1/32	8	5/16	
PEAD-A36AA8	Para líquido	9,52	3/8	0,8	1/32	8	5/16	
	Para gas	15,88	5/8	1,0	1/32	8	5/16	

(2) Asegúrese de que los 2 tubos de refrigerante estén bien aislados para evitar la condensación.

(3) El radio de curvatura del tubo refrigerante debe ser de 10 cm [3-15/16 pulg.] o más.

⚠ **Precaución:**

Use un aislamiento cuidadoso de un espesor especificado. El grosor excesivo impide el almacenamiento detrás de la unidad interior y el grosor más pequeño causa goteo de rocío.

6.2. Trabajo de abocardado

- La principal causa de las fugas de gas es un defecto en el trabajo de abocardado. Realice un trabajo de abocardado correcto con el siguiente procedimiento.

6.2.1. Corte de tuberías

[Fig. 6-2-1] (P.4)

- Ⓐ Tuberías de cobre
- Ⓑ Correcto
- Ⓒ Incorrecto
- Ⓓ Inclinado
- Ⓔ Desigual
- Ⓕ Con rebabas

- Con un cortatubos, corte el tubo de cobre correctamente.

6.2.2. Eliminación de rebabas

[Fig. 6-2-2] (P.4)

- Ⓐ Rebaba
- Ⓑ Tubería/tubo de cobre
- Ⓒ Escariador de reserva
- Ⓓ Cortador de tuberías

- Retire completamente todas las rebabas de la sección transversal de corte de la tubería/tubo.
- Coloque el extremo del tubo de cobre hacia abajo a medida que retire las rebabas para evitar que éstas caigan en la tubería.

6.2.3. Colocación de la tuerca

[Fig. 6-2-3] (P.4)

- Ⓐ Tuerca abocardada
- Ⓑ Tubería de cobre

- Retire las tuercas abocardadas fijadas a la unidad interior y exterior y, a continuación, colóquelas en la tubería/tubo cuando se hayan eliminado todas las rebabas. (no se pueden poner después de un trabajo de abocardado)

6.2.4. Trabajo de abocardado

[Fig. 6-2-4] (P.4)

- Ⓐ Herramienta de abocardado
- Ⓑ Troquel
- Ⓒ Tubería de cobre
- Ⓓ Tuerca abocardada
- Ⓔ Yugo

- Realice el trabajo de abocardado mediante la herramienta de abocardado, tal y como se indica a continuación.

Diámetro de la tubería (mm [pulg.])	Dimensiones	
	A (mm [pulg.])	B ⁺⁰ _{-0.4} [-1/32] (mm [pulg.])
	Cuando se utiliza la herramienta para R410A	
	Tipo de embrague	
6,35 [1/4]	0 a 0,5 [0 a 1/32]	9,1 [3/8]
9,52 [3/8]	0 a 0,5 [0 a 1/32]	13,2 [17/32]
12,7 [1/2]	0 a 0,5 [0 a 1/32]	16,6 [21/32]
15,88 [5/8]	0 a 0,5 [0 a 1/32]	19,7 [25/32]

Sostenga firmemente el tubo de cobre en un troquel en la dimensión que se muestra en la tabla de arriba.

6.2.5. Comprobación

[Fig. 6-2-5] (P.4)

- Ⓐ Suave por todas partes
- Ⓑ El interior es brillante sin arañazos
- Ⓒ Longitud uniforme en todo el perímetro
- Ⓓ Demasiado
- Ⓔ Inclinado
- Ⓕ Arañazo en el plano abocardado
- Ⓖ Agrietado
- Ⓗ Desigual
- Ⓘ Ejemplos de fallos

- Compare el trabajo de abocardado con una figura en la mano derecha.
- Si se observa que el abocardado es defectuoso, corte la sección abocardada y realice de nuevo el trabajo de abocardado.

6. Tareas con la tubería del refrigerante

6.3. Conexión de la tubería

[Fig. 6-3-1] (P.4)

- Aplique una capa delgada de aceite de refrigeración en la superficie del asiento de la tubería.
- Para la conexión, alinee primero el centro y luego apriete las primeras 3 o 4 vueltas de la tuerca abocardada.
- Utilice la siguiente tabla de pares de apriete como guía para la sección de unión lateral de la unidad interior y apriétela con dos llaves. Un apriete excesivo daña la sección de abocardado.

Diámetro exterior de la tubería de cobre (mm [pulg.])	Diámetro exterior de la tuerca abocardada (mm [pulg.])	Par de apriete (N·m)
ø6,35 [1/4]	17 [11/16]	14 - 18
ø9,52 [3/8]	22 [7/8]	34 - 42
ø12,7 [1/2]	26 [1-1/32]	49 - 61
ø15,88 [5/8]	29 [1-5/32]	68 - 82

⚠ Advertencia:
¡Tenga cuidado con la tuerca abocardada que pueda salir despedida!
(Presurizada internamente)

Retire la tuerca abocardada como se indica a continuación:

1. Afloje la tuerca hasta que escuche un silbido.
2. No quite la tuerca hasta que el gas se haya liberado completamente (es decir, el ruido del silbido se detiene).
3. Compruebe que el gas se haya liberado completamente y, a continuación, retire la tuerca.

Conexión de la unidad exterior

Conecte las tuberías a la junta de la válvula de cierre de la unidad exterior de la misma manera que en la unidad interior.

- Para el apriete, utilice una llave dinamo-métrica o una llave de gancho, y utilice el mismo par de apriete que se aplica a la unidad interior.

Aislamiento de la tubería de refrigerante

- Después de conectar la tubería de refrigerante, aisle las juntas (juntas abocardadas) con la tubería del aislante térmico, tal y como se muestra más abajo.

[Fig. 6-3-2] (P.4)

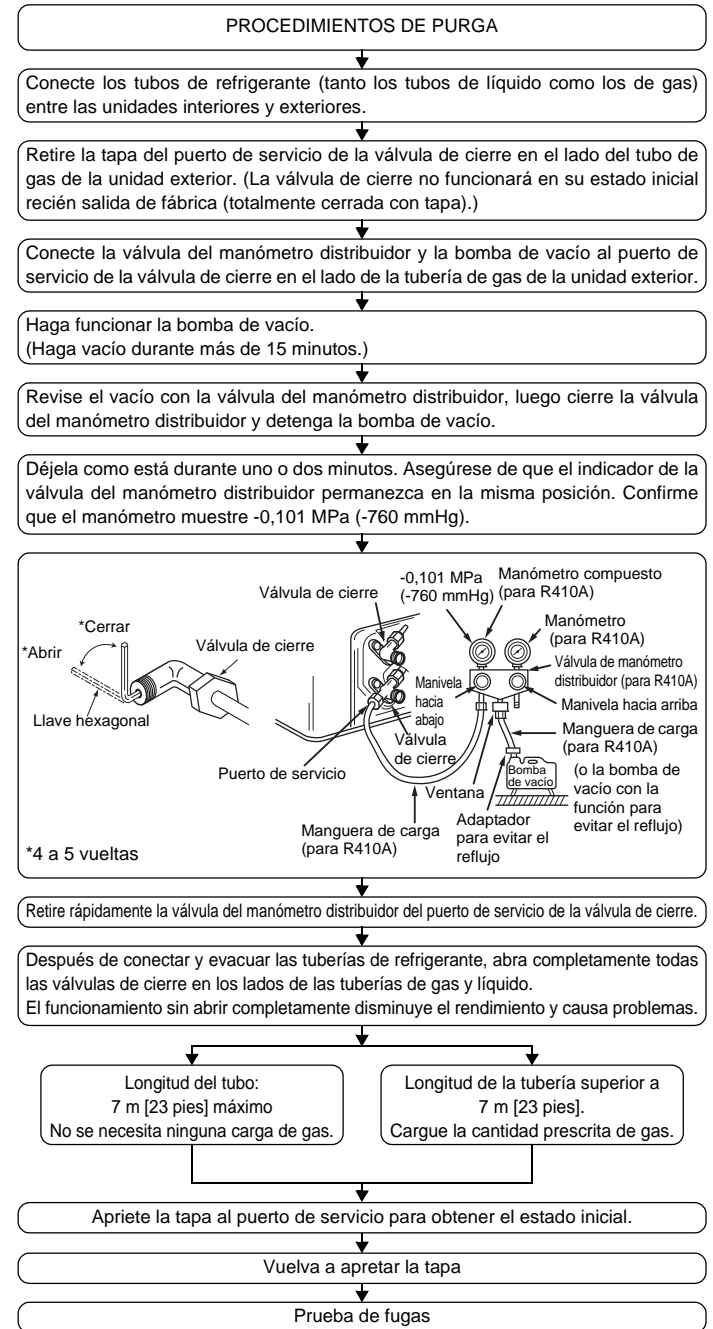
- Ⓐ Tapa de la tubería (pequeña) (accesorio)
 Ⓑ Precaución:
 Extraiga el aislamiento térmico de la tubería de refrigerante en el lugar, inserte la tuerca abocardada para ensanchar el extremo y vuelva a colocar el aislamiento en su posición original.
 Compruebe que no se forma condensación en la zona expuesta de la tubería de cobre.
 Ⓒ Extremo de líquido de la tubería de refrigerante
 Ⓓ Extremo de gas de la tubería de refrigerante
 Ⓔ Tubería del refrigerante del sitio
 Ⓕ Tapa de la tubería (grande) (accesorio)
 Ⓖ Cuerpo principal
 Ⓖ Tuerca abocardada
 Ⓗ Aislante térmico (suministrado en obra)
 Ⓙ Tira
 Ⓚ Devolver a la posición original
 Ⓛ Compruebe que no hay hueco aquí
 Ⓜ Placa en el cuerpo principal
 Ⓝ Compruebe que no hay hueco aquí. Coloque la junta en sentido ascendente.
 Ⓝ Banda (accesorio)

1. Retire y deseche el tapón de goma que se inserta en el extremo de la tubería de la unidad.
2. Realice el abocardado del extremo de la tubería de refrigerante del sitio.
3. Extraiga el aislante térmico en la tubería de refrigerante del sitio y coloque el aislante en su posición original.

Precauciones sobre la tubería del refrigerante

- ▶ Utilice una soldadura no oxidante para soldar y para comprobar que no entran materias extrañas o humedad en la tubería.
- ▶ Aplique aceite de máquina de refrigeración sobre la superficie del asiento de la conexión abocardada y apriete la conexión con una llave doble.
- ▶ Proporcione una abrazadera metálica para sostener la tubería del refrigerante de modo que no se imparta carga en el extremo de la tubería de la unidad interior. Esta abrazadera metálica debe colocarse a una distancia de 50 cm [19-11/16 pulg.] con respecto a la conexión abocardada de la unidad interior.

6.4. Prueba de fugas de los procedimientos de purga



6.5. Trabajos con la tubería de drenaje

- Compruebe que la tubería de drenaje queda instalada con una inclinación descendente (de más de 1/100) hacia el lado exterior (descarga). No incluya ningún sifón ni irregularidad en la trayectoria del tubo.
- Compruebe que la longitud transversal de la tubería de drenaje es de menos de 20 m [65 pies] (sin incluir la diferencia de elevación). Si la tubería de drenaje es larga, instale abrazaderas metálicas para evitar que se formen ondulaciones. Nunca incluya ningún tubo de ventilación de aire. De lo contrario, el drenaje podría ser expulsado.
- Use un tubo rígido de cloruro de vinilo VP-25 (con un diámetro externo de 32 mm [1-1/4 pulg.]) para la tubería de drenaje.
- Asegúrese de que las tuberías quedan 10 cm [3-15/16 pulg.] por debajo de la conexión de drenaje del cuerpo de la unidad.
- No utilice ningún aparato para absorber olores en torno a la abertura de descarga de drenaje.
- Coloque el extremo de la tubería de drenaje en una posición donde no se genere olor.
- No instale el extremo de la tubería de drenaje en un lugar en que se generen gases iónicos.

6. Tareas con la tubería del refrigerante

[Fig. 6-5-1] (P.5)

- Tubería correcta
- × Tubería incorrecta
- Ⓐ Aislante (9 mm [3/8 pulg.] o más)
- Ⓑ Pendiente descendente (1/100 o más)
- Ⓒ Soporte metálico
- Ⓓ Purgador de aire
- Ⓔ Elevado
- Ⓜ Aparato para absorber olores

Tubería agrupada

- Ⓓ TUBO DE PVC con diám. ext. de $\varnothing 32$ mm [1-1/4 pulg.]
- Ⓔ Debe ser del mayor tamaño posible. Aproximadamente 10 cm [3-15/16 pulg.].
- Ⓕ Unidad interior
- Ⓖ Asegúrese de que las tuberías agrupadas sean grandes.
- Ⓗ Pendiente descendente (1/100 o más)
- Ⓘ TUBO DE PVC con diám. ext. de $\varnothing 38$ mm [1-1/2 pulg.] para tuberías agrupadas. (9 mm [3/8 pulg.] o más aislante)
- Ⓝ Hasta 700 mm [27-9/16 pulg.]
- Ⓝ Tubo de drenaje (accesorio)
- Ⓒ Horizontal o ligeramente ascendente

1. Inserte la manguera de drenaje (accesorio) en la abertura de drenaje (margen de inserción: 25 mm [1 pulg.]).
(La toma de drenaje no debe doblarse más de 45° para evitar que el manguito de drenaje se rompa o se atasque.)
(Sujete la manguera con adhesivo y fíjela con cinta (pequeña, accesorio).)
2. Acople la manguera de drenaje (TUBO DE PVC PV-25 con diám. ext. de $\varnothing 32$ mm [1-1/4 pulg.], suministrado en obra).
(Sujete la tubería con adhesivo y fíjela con la cinta (pequeña, accesorio).)
3. Realice los trabajos de aislamiento en la manguera de drenaje (TUBO DE PVC PV-25 con diám. ext. de $\varnothing 32$ mm [1-1/4 pulg.]) y en la toma (incluyendo el codo).
4. Compruebe el drenaje. (Consulte la [Fig. 6-6-1])
5. Sujete el material aislante (accesorio) y fíjelo con la cinta (grande, accesorio) para aislar la conexión de drenaje.

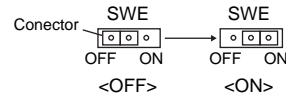
[Fig. 6-5-2] (P.5)

- Ⓐ Unidad interior
- Ⓑ Cinta de sujeción (accesorio)
- Ⓒ Parte visible
- Ⓓ Margen de inserción
- Ⓔ Tubo de drenaje (accesorio)
- Ⓕ Manguera de drenaje (TUBO DE PVC con diám. ext. de $\varnothing 32$ mm [1-1/4 pulg.], suministrado en obra)
- Ⓖ Material aislante (suministrado en obra)
- Ⓗ Cinta de sujeción (accesorio)
- Ⓘ Sin hueco. La sección de junta del material aislante tiene que quedar en la parte superior.

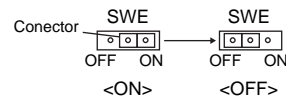
6.6. Confirmación de la descarga de drenaje

► Asegúrese de que el mecanismo de drenaje funciona normalmente para la descarga y de que no hay fugas en las conexiones.

- Asegúrese de confirmar lo anterior antes de terminar los trabajos de techo si se trata de una construcción nueva.
1. Retire la cubierta de la conexión de entrada de agua por el mismo lado que las tuberías de la unidad interior.
 2. Vierta agua en la bomba de agua con un taque de alimentación de agua. Al hacerlo, asegúrese de colocar el extremo de la bomba o del tanque en un depósito de drenaje. (Si la inserción es incorrecta, podría caer agua sobre la máquina.)
 3. Lleve a cabo la prueba de funcionamiento en modo de refrigeración, o conecte el conector en la posición ON de SWE de la placa del controlador interior. (La bomba de drenaje y el ventilador se accionan forzosamente, sin que se activen por medio de ningún controlador remoto.) Asegúrese de utilizar una manguera transparente para comprobar que el drenaje se efectúa correctamente.



4. Tras la confirmación, cancele el modo de prueba y apague la alimentación principal. Si el conector está conectado en la posición ON de SWE, desconéctelo y conéctelo a la posición OFF y, a continuación, coloque la tapa de la abertura de suministro de agua en su posición original. (Apriete los tornillos de la tapa de la toma de agua con un par de apriete de 2,0 \pm 0,2 N·m.)



[Fig. 6-6-1] (P.5)

- Ⓐ Introduzca el extremo de la bomba de 2 a 4 cm [13/16 a 1-5/8 pulg.].
- Ⓑ Retire la conexión de entrada de agua.
- Ⓒ Aprox. 2.500 cc
- Ⓓ Agua
- Ⓔ Conexión de llenado
- Ⓕ Tornillo

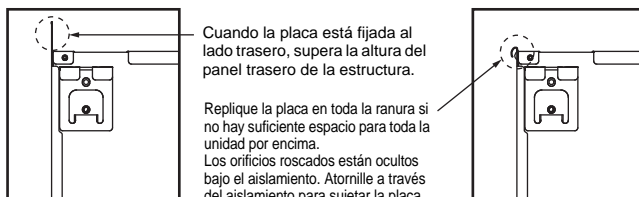
7. Empalme de los conductos

- Conecte el conducto flexible entre la unidad y el conductor. [Fig. 7-0-1] (P.6)
- Use materiales no combustibles en las piezas del conducto.
- Aísle totalmente la brida del conducto de entrada y el conducto de salida para evitar la condensación.
- Asegúrese de cambiar la posición del filtro de aire a una posición que permita acceder a él para tareas de mantenimiento.
 - <A> Con entrada posterior
 - Con entrada inferior
 - Ⓐ Conducto
 - Ⓑ Entrada de aire
 - Ⓒ Puerta de acceso
 - Ⓓ Conducto flexible
 - Ⓔ Superficie del techo
 - Ⓕ Salida de aire
 - Ⓖ Deje suficiente distancia para impedir un ciclo corto

- Procedimiento para el cambio de la entrada trasera a la entrada de abajo. [Fig. 7-0-2] (P.6)

- Ⓐ Filtro
- Ⓑ Placa inferior

1. Retire el filtro de aire. (Primero deberá quitar el tornillo de fijación del filtro.)
2. Extraiga la placa inferior.
3. Fije la placa de abajo en la parte trasera del cuerpo. [Fig. 7-0-3] (P.6)
(La posición de los orificios en la placa difiere de la posición de los orificios en la entrada trasera.)
(Apriete los tornillos de la placa inferior con un par de apriete de 1,4 \pm 0,2 N·m.)



4. Coloque el filtro en la parte inferior del cuerpo de la unidad.
(Tenga cuidado de cuál lado del filtro debe colocar.) [Fig. 7-0-4] (P.6)
 - Ⓒ Clavo para la entrada inferior
 - Ⓓ Clavo para la entrada trasera

⚠ Precaución:

- Debe construirse un conducto de entrada de 850 mm [33-1/2 pulg.] o superior. Conecte el cuerpo principal del acondicionador de aire y el conducto para conseguir una eualización potencial.
- Para reducir el riesgo de lesionarse con los cantos de las placas metálicas, le recomendamos que utilice guantes protectores.
- Conecte el cuerpo principal del acondicionador de aire y el conducto para conseguir una eualización potencial.
- El ruido de la entrada aumentará enormemente si la entrada se instala directamente debajo del cuerpo principal. Por tanto, la toma debe instalarse lo más alejada posible del cuerpo principal.
Debe prestarse especial cuidado cuando se utilice con entradas inferiores.
- Instale aislamiento térmico suficiente para evitar que se forme condensación en los bordes del conducto de salida y en los conductos de salida.
- Mantenga una distancia entre la rejilla de entrada y el ventilador superior a 850 mm [33-1/2 pulg.].
Si es inferior a 850 mm [33-1/2 pulg.], instale una protección de seguridad para que no se pueda tocar el ventilador.
- Para evitar interferencias de sonidos eléctricos, no ejecute las líneas de transmisión en la parte inferior de la unidad.

8. Tareas eléctricas

8.1. Fuente de alimentación

8.1.1. Alimentación de la unidad interior proporcionada desde la unidad exterior

Están disponibles los siguientes patrones de conexión.

Los patrones de alimentación de la unidad exterior varían según los modelos.

Sistema 1:1

[Fig. 8-1-1] (P.6)

- Ⓐ Fuente de alimentación de la unidad exterior
- Ⓑ Interruptor de aislamiento
- Ⓒ Unidad exterior
- Ⓓ Cables de conexión de la unidad interior/exterior
- Ⓔ Controlador remoto por cable
- Ⓕ Unidad interior
- Ⓖ Placa del controlador para interiores
- Ⓗ Interfaz de radiofrecuencia para termostato de RF

* Coloque una etiqueta A que se incluye con los manuales cerca de cada diagrama de cableado para las unidades interiores y exteriores.

Cableado eléctrico in situ

Modelo de unidad interior		PEAD
N.º de cable del cableado x tamaño (mm ²)	Fuente de alimentación de la unidad interior (Calentador)	–
	Tierra de la fuente de alimentación de la unidad interior (Calentador)	–
	Unidad interior - Unidad exterior	3 x 1,5 (polar)
	Tierra de Unidad interior - Unidad exterior	1 x Mín. 1,5
Capacidad del circuito	Controlador remoto por cable - Unidad interior	*1 2 x 0,3 (no polar)
	Unidad interior (Calentador) L-N	*2 –
	Unidad interior - Unidad exterior S1-S2	*2 230 V CA
	Unidad interior - Unidad exterior S2-S3	*2 24 V CC
	Controlador remoto por cable - Unidad interior	*2 14 V CC

*1. El cable de 10 m [32 pies] se conecta en el accesorio del controlador remoto por cable. Máx. 500 m [1.640 pies]

*2. Las figuras NO siempre están contra el suelo. El terminal S3 tiene 24 V CC contra el terminal S2. Sin embargo, entre S3 y S1, estos terminales no están aislados eléctricamente por el transformador u otro dispositivo.

- Notas:**
- El tamaño del cableado debe cumplir con el código local y nacional aplicable.
 - Los cables de alimentación y los cables de conexión de la unidad interior/exterior no deben ser más ligeros que el cable flexible con cubierta de policloropreno. (Diseño 245 IEC57)
 - Instale una toma de tierra más larga que otros cables.
 - Lleve a cabo el cableado conforme a las normativas de seguridad que se detallan en UL1995.

⚠ Precaución:

No use nada más que fusibles de la capacidad correcta. Si utiliza un fusible, un cable o un alambre de cobre con demasiada capacidad, existe riesgo de funcionamiento incorrecto o incendio.

⚠ Precaución:

Tome las medidas necesarias para evitar las fugas eléctricas.

8.2. Conexión de cables en interiores

Procedimiento de trabajo

- Retire 2 tornillos para desmontar la cubierta del componente eléctrico.
- Pase cada cable a través de la entrada de cableado hacia el cuadro de componentes eléctricos. (Adquiera el cable de alimentación y el cable de conexión de entrada y salida localmente y utilice el cable de control remoto con cable suministrado con la unidad.)
- Conecte firmemente el cable de alimentación y el cable de conexión de entrada y salida y el cable de control remoto por cable a los bloques de terminales.
- Para la interfaz de radiofrecuencia
 - Conecte firmemente los cables eléctricos al CN105 (ROJO) de la tarjeta controladora de interior.
 - Conecte firmemente los cables eléctricos a los terminales correspondientes.
- Fije los cables con abrazaderas en el interior del cuadro de componentes eléctricos.
- Coloque la cubierta de componentes eléctricos tal como estaba. (Apriete los tornillos de la tapa de la caja de terminales con un par de apriete de 2,0 ± 0,2 N·m.)
- Fije el cable de alimentación y el cable interior/exterior de la caja de control utilizando un casquillo de amortiguación para la fuerza de tracción. (Conexión PG o similar.)

⚠ Advertencia:

- Fije firmemente la cubierta de la parte eléctrica. Si se fija incorrectamente, podría provocar un incendio, una descarga eléctrica debido al polvo, agua, etc.
- Utilice el cable de conexión especificado para la unidad interior/exterior para conectar las unidades interiores y exteriores y fije el cable al bloque de terminales de forma segura para que no se aplique ninguna tensión a la sección de conexión del bloque de terminales. La conexión incompleta o la fijación del cable podría provocar un incendio.

[Fig. 8-2-1] (P.7)

- Ⓐ Tornillo que sujeta la tapa (1 pieza)
- Ⓑ Tapa

[Fig. 8-2-2] (P.7)

- Ⓒ Caja de terminales
- Ⓓ Orificio marcado
- Ⓔ Retirar

[Fig. 8-2-3] (P.7)

- Ⓕ Use un casquillo PG para evitar que el peso del cable y fuerzas externas se apliquen sobre el conector del terminal de alimentación. Utilice una abrazadera para asegurar el cable.
- Ⓖ Cableado de fuente de alimentación
- Ⓗ Use casquillos normales
- Ⓘ Cable de transmisión
- Ⓝ Conducto
- Ⓚ Bastidor lateral
- Ⓛ Orificio marcado (para cableado de fuente de alimentación)
- Ⓜ Arandela (accesorio)

[Fig. 8-2-4] (P.7)

- Ⓝ Bloque de terminales para fuente de alimentación y transmisión en interiores
- Ⓒ Bloque de terminales para controlador remoto por cable
- Ⓖ Placa del controlador para interiores
- Ⓗ La interfaz de radiofrecuencia está instalada en la placa controladora de interior
- Ⓛ CN105 (ROJO/5P)
- Ⓢ Cableado para la interfaz de radiofrecuencia

- Realice el cableado como se muestra en el diagrama de la parte inferior izquierda. (Adquiera el cable localmente.)

Asegúrese de utilizar cables con la polaridad correcta solamente.

[Fig. 8-2-5] (P.7)

- Ⓐ Bloque de terminales interiores
- Ⓑ Cable de tierra (verde/amarillo)
- Ⓒ Cable de conexión de la unidad interior/exterior de 3 hilos de 1,5 mm² [AWG 16] o más
- Ⓓ Bloque de terminales exteriores
- Ⓘ Cable de conexión
 - Cable de 3 hilos de 1,5 mm² [AWG 16], conforme a la norma 245 IEC 57.
- Ⓜ Bloque de terminales interiores
- Ⓝ Bloque de terminales exteriores
- Ⓞ Instale siempre un cable de tierra (1 hilo de 1,5 mm² [AWG 16]) más largo que los demás cables.
- Ⓟ Cable del controlador remoto por cable
 - N.º de cable x tamaño (mm²): Cable 2C x 0,3
 - Este accesorio de cable del controlador remoto (longitud del cable: 10 m [32 pies], no polar. Máx. 500 m [1.640 pies])
- Ⓠ Controlador remoto por cable

- Conecte los bloques de terminales como se muestra en el siguiente diagrama.

⚠ Precaución:

- Tenga cuidado de no realizar un cableado incorrecto.
- Apriete firmemente los tornillos de los terminales para evitar que se aflojen.
- Después de apretar, tire ligeramente de los cables para confirmar que no se mueven.

8.3. Controlador remoto

8.3.1. Para el controlador remoto por cable

1) Configuración de dos controladores remotos por cable

Si hay conectados dos controladores remotos por cable, ajuste uno a "Principal" y el otro a "Secundario". Para conocer los procedimientos de configuración, consulte la sección "Selección de funciones del controlador remoto" en el manual de instrucciones de la unidad interior.

8.3.2. Para el controlador remoto inalámbrico IR

1) Área de instalación

- Área en la que el controlador remoto inalámbrico IR no está expuesto a la luz solar directa.
 - Área en la que no hay ninguna fuente de calor cercana.
 - Área en la que el controlador remoto inalámbrico IR no está expuesto a corrientes de aire frías (o calientes).
 - Área en la que el controlador remoto inalámbrico IR puede manejarse fácilmente.
 - Área en la que el controlador remoto inalámbrico IR está fuera del alcance de los niños.
- * La señal puede recorrer hasta aproximadamente 7 metros [23 pies] (en línea recta) dentro de 45 grados tanto a la derecha como a la izquierda de la línea central del receptor.

2) Ajuste del número de modelo

[Fig. 8-3-1] (P.8)

- Inserte las pilas.
- Pulse el botón SET con un objeto de punta afilada.
 - Inicie esta operación desde el estado de la pantalla del controlador remoto inalámbrico IR apagada.
 - MODEL SELECT** parpadea y se ilumina el número de modelo (Ⓐ).
- Pulse los botones de temperatura **Ⓜ** **Ⓐ** para establecer el número de modelo (Ⓐ).
- Pulse el botón SET con un objeto de punta afilada.
 - MODEL SELECT** y el número de modelo (Ⓐ) si iluminan durante tres segundos y después se apagan.

Modelo de unidad interior	Número de modelo (Ⓐ)
PEAD	026

8. Tareas eléctricas

8.4. Configuración de funciones

8.4.1. Configuración de funciones en la unidad (selección de las funciones de la unidad)

1) Para el controlador remoto por cable [Fig. 8-4-1] (P.8)

1. Cambio del ajuste de la presión estática externa.

- Asegúrese de cambiar el ajuste de la presión estática externa dependiendo del conducto y de la rejilla utilizada.

①

- Seleccione "Revisión" en el menú principal y pulse el botón [SELECT].
- Seleccione "Configuración de funciones" con el botón [F1] o [F2] y pulse el botón [SELECT].

②

- Ajuste las direcciones y números de unidad de refrigerante de la unidad interior con los botones [F1] a [F4] y, a continuación, pulse el botón [SELECT] para confirmar el ajuste actual.

<Comprobación del número de unidad interior>

Cuando se pulse el botón [SELECT], la unidad interior deseada iniciará el funcionamiento del ventilador. Si la unidad es común o si todas las unidades están en funcionamiento, todas las unidades interiores de la dirección de refrigerante seleccionada iniciarán el funcionamiento del ventilador.

③

- Cuando se completa la recolección de datos de las unidades interiores, la configuración actual aparece resaltada. Los elementos no resaltados indican que no se ha realizado ninguna configuración de función. El aspecto de la pantalla varía en función del ajuste de "Número de unidad".

④

- Utilice el botón [F1] o [F2] para mover el cursor y seleccionar el número de modo, y cambie el número de ajuste con el botón [F3] o [F4] para cambiar el número de ajuste en respuesta a la presión estática externa que se vaya a utilizar.

Presión estática externa	Ajuste del n.º de modo n.º 08	Ajuste del n.º de modo n.º 10
35 Pa [0,14 pulg. WG]	2	1
50 Pa [0,20 pulg. WG] (antes del envío)	3	1
70 Pa [0,28 pulg. WG]	1	2
100 Pa [0,40 pulg. WG]	2	2
150 Pa [0,60 pulg. WG]	3	2

⑤

- Una vez finalizada la configuración, pulse el botón [SELECT] para enviar los datos de ajuste del controlador remoto a las unidades interiores.
- Cuando la transmisión haya finalizado correctamente, la pantalla volverá a la pantalla Configuración de funciones.

2. Otras funciones

① Seleccione el número de unidad 00 para la configuración. (Configuración para todas las unidades interiores)

Consulte la Tabla de funciones 1.

② Seleccione el número de unidad 01 a 04 o AL para la configuración. (Configuración para cada unidad interior)

Para configurar la unidad interior en el sistema individual, seleccione el número de unidad 01.

Para configurar cada unidad interior de dos, tres o cuatro unidades interiores, que están conectadas cuando estas unidades están en funcionamiento simultáneamente, seleccione el número de unidad 01 a 04.

Para configurar todas las unidades interiores de dos, tres o cuatro unidades interiores que están conectadas cuando estas unidades están en funcionamiento simultáneamente, seleccione AL.

Consulte la Tabla de funciones 2.

2) Para el controlador remoto inalámbrico IR

[Fig. 8-4-2] (P.8)

- Ⓐ Botón de hora
- Ⓑ Botón de minuto
- Ⓒ Botón TEMP
- Ⓓ Botón TEMP
- Ⓔ Botón ENCENDIDO/APAGADO
- Ⓕ Botón CHECK

1. Cambio del ajuste de la presión estática externa.

- Asegúrese de cambiar el ajuste de la presión estática externa dependiendo del conducto y de la rejilla utilizada.

① Vaya al modo de selección de función

Pulse el botón CHECK (Ⓕ) dos veces de forma continua.

(Inicie esta operación desde la pantalla del controlador remoto apagada.)

CHECK se ilumina y "00" parpadea.

Pulse el botón TEMP (Ⓒ) una vez para establecer "50". Dirija el controlador remoto inalámbrico hacia el receptor de la unidad interior y pulse el botón de hora (Ⓐ).

② Ajuste del número de unidad

Pulse los botones TEMP (Ⓒ) y (Ⓓ) para establecer el número de unidad en 01-04 o AL. Dirija el controlador remoto inalámbrico hacia el receptor de la unidad interior y pulse el botón de minuto (Ⓑ).

③ Selección de un modo

Introduzca 08 para cambiar el ajuste de la presión estática externa usando los botones (Ⓒ) y (Ⓓ).

Dirija el controlador remoto inalámbrico hacia el receptor de la unidad interior y pulse el botón de hora (Ⓐ).

Número de ajuste actual: 1 = 1 pitido (un segundo)

2 = 2 pitidos (un segundo cada uno)

3 = 3 pitidos (un segundo cada uno)

④ Selección del número de ajuste

Utilice los botones (Ⓒ) y (Ⓓ) para cambiar el ajuste de la presión estática externa.

Dirija el controlador remoto inalámbrico hacia el sensor de la unidad interior y pulse el botón de hora (Ⓐ).

⑤ Para establecer la presión estática externa

Repita los pasos ③ y ④ para establecer el número de modo en 10.

⑥ Selección de función completa

Dirija el controlador remoto inalámbrico hacia el sensor de la unidad interior y pulse el botón ENCENDIDO/APAGADO (Ⓔ).

Nota:

- Siempre que se realicen cambios en los ajustes de las funciones después de la instalación o el mantenimiento, asegúrese de registrar los cambios con una marca en la columna "Comprobación" de la tabla de funciones.

3) Cambio del ajuste de la tensión de alimentación (Tabla de funciones 1)

- Asegúrese de cambiar el ajuste de voltaje de alimentación en función del voltaje que se utilice.

8. Tareas eléctricas

Tabla de funciones 1

Seleccionar el número de unidad 00

Modo	Ajuste	N.º de modo	N.º de ajuste	Configuración inicial	Comprobación
Recuperación automática ante corte de corriente *1*2 (FUNCIÓN DE REINICIO AUTOMÁTICO)	No disponible	01	1	○	
	Disponible		2		
Detección de temperatura interior	Promedio de funcionamiento de la unidad interior	02	1	○	
	Ajustado por el controlador remoto de la unidad interior		2		
	Sensor interno del controlador remoto		3		
Conectividad LOSSNAY	No se admite	03	1	○	
	Se admite (la unidad interior no está equipada con toma de aire exterior)		2		
	Se admite (la unidad interior está equipada con toma de aire exterior)		3		
Voltaje de alimentación eléctrica	230V	04	1	○	
	208V		2		
Modo automático	Ciclo de ahorro de energía activado automáticamente	05	1	○	
	Ciclo de ahorro de energía desactivado automáticamente		2		

Tabla de funciones 2

Seleccionar los números de unidad 01 a 04 o todas las unidades (AL [controlador remoto por cable]/07 [controlador remoto inalámbrico])

Modo	Ajuste	N.º de modo	N.º de ajuste	Configuración inicial	Comprobación	
Señal de filtro	100 h	07	1			
	2500 h		2			
	Sin indicador de señal de filtro		3	○		
Presión estática externa	Presión estática externa	08	1			
	35 Pa [0,14 pulg. WG]		Ajuste del n.º de modo n.º 08	2		
	50 Pa [0,20 pulg. WG] (antes del envío)		Ajuste del n.º de modo n.º 10	1		
	70 Pa [0,28 pulg. WG]	10	1	○		
	100 Pa [0,40 pulg. WG]		2			
	150 Pa [0,60 pulg. WG]		3			
			2			

*1 Cuando la alimentación eléctrica vuelva, el acondicionador de aire se pondrá en marcha 3 minutos o 1 minuto más tarde (bisagra en la unidad exterior).

*2 El ajuste inicial de la recuperación automática ante corte de corriente depende de la unidad exterior conectada.

Nota: Cuando la función de una unidad interior se haya modificado por la selección de funciones después de la instalación, indique siempre el contenido introduciendo una ○ u otra marca en el campo de verificación correspondiente de las tablas.

9. Realización de pruebas

9.1. Antes de la realización de pruebas

- ▶ Después de completar la instalación y el cableado y la instalación de las tuberías de las unidades interiores y exteriores, compruebe si hay fugas de refrigerante, si el cableado de la fuente de alimentación o de control está flojo, si la polaridad es incorrecta y asegúrese de que no haya desconexión de una fase en el suministro.
- ▶ Utilice un megaohmímetro de 500 voltios para comprobar que la resistencia entre los terminales de la fuente de alimentación y la tierra sea de al menos 1,0 MΩ.
- ▶ No realice esta prueba en los terminales del cableado de control (circuito de baja tensión).

⚠ Advertencia:

No utilice el aire acondicionado si la resistencia del aislamiento es inferior a 1,0 MΩ.

Resistencia de aislamiento

Después de la instalación o después de haber cortado la alimentación de la unidad durante un período prolongado, la resistencia del aislamiento caerá por debajo de 1 MΩ debido a la acumulación de refrigerante en el compresor. Esto no es una avería. Realice los siguientes procedimientos.

1. Retire los cables del compresor y mida la resistencia de aislamiento del compresor.
2. Si la resistencia de aislamiento es inferior a 1 MΩ, el compresor está defectuoso o la resistencia se ha reducido debido a la acumulación de refrigerante en el compresor.
3. Tras conectar los cables al compresor, el compresor comenzará a calentarse después de que se suministre energía. Después de suministrar energía durante los tiempos indicados a continuación, mida de nuevo la resistencia de aislamiento.
 - La resistencia del aislamiento disminuye debido a la acumulación de refrigerante en el compresor. La resistencia se elevará por encima de 1 MΩ después de que el compresor se caliente durante dos o tres horas. (El tiempo necesario para calentar el compresor varía según las condiciones atmosféricas y la acumulación de refrigerante.)
 - Para que el compresor funcione con el refrigerante acumulado en el compresor, este debe calentarse durante al menos 12 horas para evitar averías.
4. Si la resistencia de aislamiento supera 1 MΩ, el compresor no es defectuoso.

⚠ Precaución:

- El compresor no funcionará a menos que la conexión de la fase de alimentación sea correcta.
- Conecte la corriente al menos 12 horas antes de que empiece a funcionar el equipo.
- Si se acciona inmediatamente después de haber encendido el interruptor de alimentación, pueden producirse daños graves en las piezas internas. Mantenga el interruptor de alimentación encendido durante la temporada de funcionamiento.

9. Realización de pruebas

9.2. Realización de pruebas

9.2.1. Uso del controlador remoto por cable

► Asegúrese de leer el manual de instrucciones antes de realizar la prueba de funcionamiento. (Especialmente artículos para garantizar la seguridad)

Paso 1 Encienda el equipo.

- Controlador remoto: El sistema entrará en modo de arranque y la lámpara de encendido del controlador remoto (verde) y "POR FAVOR, ESPERE" parpadearán. Mientras la lámpara y el mensaje parpadean, el controlador remoto no se puede utilizar. Espere hasta que "POR FAVOR, ESPERE" no aparezca en la pantalla antes de utilizar el controlador remoto. Después de conectar la alimentación, aparecerá "POR FAVOR, ESPERE" durante aproximadamente 2 minutos.
 - Placa del controlador para interiores: El LED 1 se encenderá, el LED 2 se encenderá (si la dirección es 0) o se apagará (si la dirección no es 0) y el LED 3 parpadeará.
 - Placa del controlador para exteriores: El LED 1 (verde) y el LED 2 (rojo) se encenderán. (Una vez finalizado el modo de arranque del sistema, el LED 2 se apagará.) Si la placa controladora externa utiliza una pantalla digital, [-] y [-] se visualizarán alternativamente cada segundo.
- Si las operaciones no funcionan correctamente después de los procedimientos en el paso 2 y después se realizan, se deben considerar las siguientes causas y eliminarlas si se encuentran. (Los siguientes síntomas se producen durante el modo de ejecución de test. La palabra "Arranque" en la tabla significa la visualización de LED escrita arriba.)

Síntomas en el modo de realización de pruebas		Causa
Pantalla del controlador remoto	Pantalla LED DE LA PLACA EXTERIOR < > indica una visualización digital.	
El controlador remoto muestra "POR FAVOR, ESPERE" y no se puede utilizar.	Después de que aparezca "arranque", solo se ilumina en verde. <00>	• Después de conectar la alimentación, aparece "POR FAVOR, ESPERE" durante 2 minutos durante el arranque del sistema. (Normal)
Después de conectar la alimentación, aparece "POR FAVOR, ESPERE" durante 3 minutos y, a continuación, se muestra el código de error.	Después de que aparezca "arranque", el verde (una vez) y el rojo (una vez) parpadean alternativamente. <F1> Después de que aparezca "arranque", el verde (una vez) y el rojo (dos veces) parpadean alternativamente. <F3, F5, F9>	• Conexión incorrecta del bloque de terminales exteriores (R, S, T y S ₁ , S ₂ , S ₃ .) • El conector del dispositivo de protección de la unidad exterior está abierto.
No aparece ninguna pantalla incluso cuando se enciende el interruptor de funcionamiento del controlador remoto. (La luz de operación no se enciende.)	Después de que aparezca "arranque", el verde (dos veces) y el rojo (una vez) parpadean alternativamente. <EA, Eb> Después de que aparezca "arranque", solo se ilumina en verde. <00>	• Cableado incorrecto entre la unidad interior y exterior (la polaridad es incorrecta para S ₁ , S ₂ , S ₃ .) • El cable de transmisión del controlador remoto está cortocircuitado. • No hay ninguna unidad exterior con la dirección 0. (La dirección tiene un valor diferente de 0.) • El cable de transmisión del controlador remoto está abierto.
Aparece la pantalla, pero pronto desaparece, incluso cuando se utiliza el controlador remoto.	Después de que aparezca "arranque", solo se ilumina en verde. <00>	• Después de cancelar la selección de funciones, la operación no es posible durante unos 30 segundos. (Normal)

Paso 2 Cambie el controlador remoto a "Realización de pruebas".

- Selecione "Realización de pruebas" desde el menú Revisión y pulse el botón [SELECT]. [Fig. 9-2-1] (P.9)
- Selecione "Realización de pruebas" desde el menú Realización de pruebas y pulse el botón [SELECT]. [Fig. 9-2-2] (P.9)
- Se inicia la operación de realización de pruebas y se visualiza la pantalla de Realización de pruebas.

Paso 3 Realice las pruebas y verifique la temperatura del flujo de aire y el álabe automático.

- Pulse el botón [F1] para cambiar el modo de funcionamiento. [Fig. 9-2-3] (P.9)
Modo de refrigeración: Compruebe que salga aire frío de la unidad.
Modo de calefacción: Compruebe que salga aire caliente de la unidad.

Paso 4 Confirme el funcionamiento del ventilador de la unidad exterior.

La velocidad del ventilador de la unidad exterior se controla para regular el rendimiento de la unidad. Dependiendo del aire ambiente, el ventilador girará a baja velocidad y seguirá girando a esa velocidad a menos que el rendimiento sea insuficiente. Por lo tanto, el viento exterior puede hacer que el ventilador deje de girar o que gire en la dirección opuesta, pero esto no es un problema.

Paso 5 Detenga la realización de pruebas.

- Pulse el botón [ON/OFF] para detener las pruebas. (Aparecerá el menú de Realización de pruebas.)

Nota: Si se muestra un error en el controlador remoto, consulte la tabla siguiente.

LCD	Descripción de la avería	LCD	Descripción de la avería	LCD	Descripción de la avería
P1	Error del sensor de admisión	P9	Error en el sensor de tubería (tubería de doble pared)	E0 – E5	Error de comunicación entre el controlador remoto y la unidad interior
P2	Error en el sensor de tubería (tubería de líquido)	PA	Error de fuga (sistema de refrigerante)		
P4	Conector del interruptor de flotador de drenaje desconectado (CN4F)	PB (Pb) PL	Error del motor del ventilador de la unidad interior Anomalía en el circuito de refrigerante		
P5	Funcionamiento de la protección de desbordamiento de drenaje	FB	Error de la placa controladora interior	E6 – EF	Error de comunicación entre la unidad interior y la unidad exterior
P6	Funcionamiento de la protección contra congelación/sobrecalentamiento	U*, F* (* indica un carácter alfanumérico excluyendo FB.)	Avería de la unidad exterior Consulte el diagrama de cableado de la unidad exterior.		
P8	Error de temperatura de la tubería				

- Consulte la tabla siguiente para obtener información detallada sobre la pantalla LED (LED 1, 2 y 3) de la placa controladora de interiores.

LED1 (fuente de alimentación del microordenador)	Indica si hay alimentación de control. Asegúrese de que este LED esté siempre encendido.
LED2 (fuente de alimentación del controlador remoto)	Indica si se suministra energía al controlador remoto por cable. El LED solo se enciende para la unidad interior que está conectada a la unidad exterior que tiene una dirección 0.
LED3 (comunicación de la unidad interior/exterior)	Indica si las unidades interiores y exteriores se están comunicando. Asegúrese de que este LED esté siempre parpadeando.

Nota:

Si la unidad funciona continuamente durante una realización de pruebas, se detendrá después de 2 horas.

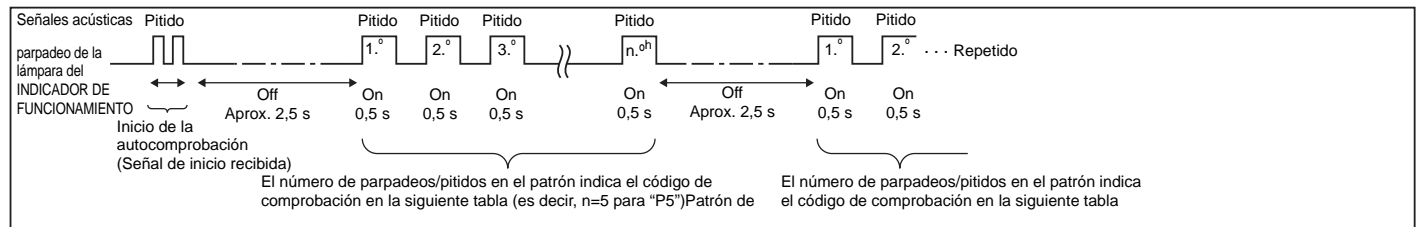
9. Realización de pruebas

9.3. Autocomprobación

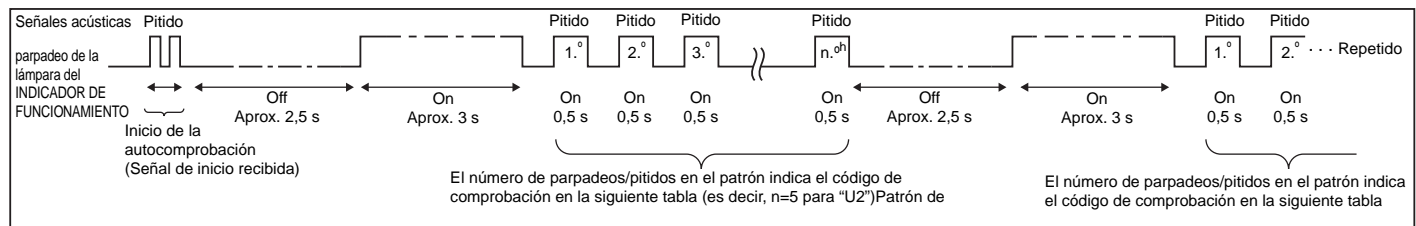
- Consulte el manual de instalación que se proporciona con cada controlador remoto para obtener más detalles.
- El termostato de RF no está establecido.

• Consulte las siguientes tablas para obtener información detallada sobre los códigos de verificación. (Controlador remoto inalámbrico)

[Patrón de salida A]



[Patrón de salida B]



[Patrón de salida A] Errores detectados por la unidad interior

Controlador remoto inalámbrico IR	Termostato RF del cable del controlador remoto por cable	Síntoma	Observación
Suena un pitido/parpadea la lámpara del INDICADOR DE FUNCIONAMIENTO (Número de veces)	Código de comprobación		
1	P1	Error del sensor de admisión	
2	P2, P9	Error del sensor de tubería (tubería de líquido o de 2 fases)	
3	E6, E7	Error de comunicación de la unidad interior/exterior	
4	P4	Error del sensor de drenaje	
5	P5	Error de la bomba de drenaje	
6	P6	Funcionamiento de la protección contra congelación/sobrecalentamiento	
7	EE	Error de comunicación entre las unidades interiores y exteriores	
8	P8	Error de temperatura de la tubería	
9	E4	Error de recepción de señal del controlador remoto	
10	–	–	
11	–	–	
12	Fb	Error del sistema de control de la unidad interior (error de memoria, etc.)	
Sin sonido	– –	No corresponde	

[Patrón de salida B] Errores detectados por una unidad distinta de la unidad interior (unidad exterior, etc.)

Controlador remoto inalámbrico IR	Termostato RF del cable del controlador remoto por cable	Síntoma	Observación
Suena un pitido/parpadea la lámpara del INDICADOR DE FUNCIONAMIENTO (Número de veces)	Código de comprobación		
1	E9	Error de comunicación de la unidad interior/exterior (Error de transmisión) (Unidad exterior)	Para más detalles, verifique la pantalla LED de la placa controladora externa.
2	UP	Interrupción de sobrecorriente en el compresor	
3	U3, U4	Termistores de la unidad exterior abiertos/cortos	
4	UF	Interrupción de sobrecorriente en el compresor (Cuando el compresor está bloqueado)	
5	U2	Temperatura de descarga anómala/49C trabajada/Insuficiente refrigerante	
6	U1, Ud	Operación anómala de alta presión (63H trabajada)/Protección contra sobrecalentamiento	
7	U5	Temperatura anómala del dissipador de calor	
8	U8	Parada de la protección del ventilador de la unidad exterior	
9	U6	Interrupción de sobrecorriente en el compresor/Anomalía del módulo de potencia	
10	U7	Anomalía de súper calor debida a la baja temperatura de descarga	
11	U9, UH	Anomalía como sobretensión o falta de tensión y señal síncrona anómala al circuito principal/Error del sensor de corriente	
12	–	–	
13	–	–	
14	Otros	Otros errores (Consulte el manual técnico de la unidad exterior.)	

9. Realización de pruebas

- *1 Si el pitido no vuelve a sonar después de los dos pitidos iniciales para confirmar que se recibió la señal de inicio de autocomprobación y que no se enciende la lámpara del INDICADOR DE FUNCIONAMIENTO, no hay registros de errores.
- *2 Si se emite un pitido tres veces consecutivas “bip, bip, bip (0,4 + 0,4 + 0,4 s)” después de recibir los dos pitidos iniciales para confirmar la señal de inicio de autocomprobación, la dirección del refrigerante especificada es incorrecta.

- En el controlador remoto inalámbrico IR
El zumbador continuo suena desde la sección de recepción de la unidad interior.
Lámpara de parpadeo de funcionamiento
- En el controlador remoto por cable
Compruebe el código que se muestra en el LCD.
- Si la unidad no se puede operar correctamente después de haber realizado la prueba de funcionamiento anterior, consulte la siguiente tabla para eliminar la causa.

Síntoma		Causa
Controlador remoto por cable	LED 1, 2 (PCB en la unidad exterior)	
POR FAVOR, ESPERE	Durante unos 2 minutos después del encendido	Después de que se enciendan el LED 1 y 2, el LED 2 se apagará y solo se encenderá el LED 1. (Funcionamiento correcto)
POR FAVOR, ESPERE → Código de error	Una vez transcurridos aproximadamente 2 minutos después del encendido	Solo se ilumina el LED 1. → Los LED 1 y 2 parpadean.
Los mensajes de la pantalla no aparecen incluso cuando el interruptor de funcionamiento está encendido (la luz de funcionamiento no se enciende).		Solo se ilumina el LED 1. → Los LED 1 y 2 parpadean dos veces, el LED 2 parpadea una vez.

En el controlador remoto inalámbrico IR con las condiciones anteriores, se producen los siguientes fenómenos.

- No se aceptan señales del controlador remoto.
- La lámpara OPE está parpadeando.
- El zumbador hace un sonido de ping corto.

Nota:

El funcionamiento no es posible durante unos 30 segundos después de la cancelación de la selección de funciones. (Funcionamiento correcto)

9.4. FUNCIÓN DE REINICIO AUTOMÁTICO

Placa del controlador para interiores

Este modelo está equipado con la FUNCIÓN DE REINICIO AUTOMÁTICO.

Cuando la unidad interior se controla con el controlador remoto, el modo de funcionamiento, la temperatura ajustada y la velocidad del ventilador se memorizan en la placa del controlador para interiores. La función de reinicio automático se pone en funcionamiento en el momento en que se restablece la alimentación después de un corte de suministro eléctrico y, a continuación, la unidad se reinicia automáticamente.

Ajuste la FUNCIÓN DE REINICIO AUTOMÁTICO mediante el controlador remoto. (N.º de modo 01)

10. Función de mantenimiento sencillo

Los datos de mantenimiento, como la temperatura del intercambiador de calor de la unidad interior/exterior y la corriente de funcionamiento del compresor, pueden visualizarse como “Mantenimiento adecuado”.

* Esto no se puede ejecutar durante la operación de prueba.

* Dependiendo de la combinación con la unidad exterior, es posible que algunos modelos no la soporten.

① [Fig. 10-0-1] (P.9)

- Seleccione “Revisión” en el menú principal y pulse el botón [SELECT].
- Seleccione “Comprobación” con el botón [F1] o [F2] y pulse el botón [SELECT].
- Seleccione “Mantenimiento adecuado” con el botón [F1] o [F2] y pulse el botón [SELECT].

② [Fig. 10-0-2] (P.9)

Seleccione cada elemento.

- Seleccione el elemento que desea cambiar con el botón [F1] o [F2].
- Seleccione la configuración necesaria con el botón [F3] o [F4].

Ajuste “Dirección. ref.”..... “0”-“15”

Ajuste “Modo estable”..... “Frío” / “Calor” / “Normal”

- Pulse el botón [SELECT], se iniciará el funcionamiento fijo.

* El modo estable tardará unos 20 minutos.

③ [Fig. 10-0-3] (P.9)

Aparecerán los datos de la operación.

El tiempo de funcionamiento acumulado del compresor (COMP. run) es una unidad de 10 horas, y el número de tiempos de funcionamiento del compresor (COMP. Encendido/ Apagado) es una unidad de 100 veces (fracciones descartadas).

Navegación por las pantallas

- Para volver al menú principal.....Botón [MENU]
- Para volver a la pantalla anterior.....Botón [RETURN]

11. Mantenimiento

11.1. Carga de gas

[Fig. 11-1-1] (P.10)

- Ⓐ Unidad interior
- Ⓑ Unión
- Ⓒ Tubería de líquido
- Ⓓ Tubería de gas
- Ⓔ Válvula de cierre
- Ⓕ Unidad exterior
- Ⓖ Válvula de accionamiento del cilindro de gas refrigerante
- Ⓗ Cilindro de gas refrigerante R410A con sifón
- Ⓘ Refrigerante (líquido)
- Ⓝ Balanza electrónica para la carga de refrigerante
- Ⓚ Manguera de carga (para R410A)
- Ⓛ Válvula de manómetro distribuidor (para R410A)
- Ⓜ Puerto de servicio

1. Conecte el cilindro de gas al puerto de servicio de la válvula de cierre (3 vías).
2. Ejecute la purga de aire de la tubería (o manguera) que viene del cilindro de gas refrigerante.
3. Reponga la cantidad especificada de refrigerante mientras el acondicionador de aire está funcionando para enfriarse.

Nota:

En caso de añadir refrigerante, cumpla con la cantidad especificada para el ciclo de refrigeración.

⚠ Precaución:

- **No descargue el refrigerante en la atmósfera.**

Tenga cuidado de no descargar refrigerante a la atmósfera durante la instalación, reinstalación o reparación del circuito de refrigerante.

- **Para una carga adicional, cargue el refrigerante de la fase líquida de la botella de gas.**

Si el refrigerante se carga desde la fase gaseosa, puede producirse un cambio de composición en el refrigerante dentro de la botella y en la unidad exterior. En este caso, la capacidad del ciclo de refrigeración disminuye o el funcionamiento normal puede ser imposible. Sin embargo, cargar el refrigerante líquido de una sola vez puede causar que el compresor se bloquee. Por lo tanto, cargue el refrigerante lentamente.

Para mantener la alta presión de la botella de gas, caliéntela con agua caliente (menos de 40 °C [104 °F]) durante la temporada invernal. Pero nunca use una llama viva o vapor.

This product is designed and intended for use in the residential,
commercial and light-industrial environment.

Please be sure to put the contact address/telephone number on
this manual before handing it to the customer.

mitsubishi electric corporation

HEAD OFFICE: TOKYO BLDG., 2-7-3, MARUNOUCHI, CHIYODA-KU, TOKYO 100-8310, JAPAN