

24-Inch Built-In Stainless Steel Wine Refrigerator

Features

- White, blue and amber lighting
- Energy Star Certified
- Sabbath mode
- Seamless stainless steel trimmed door
- UV-resistant glass door with low-e, double-panes and argon gas between the two panes
- Touch panel with digital controls
- Added security with a door lock

Warranty

- One (1) year parts and labor
- Five (5) years compressor (part only)



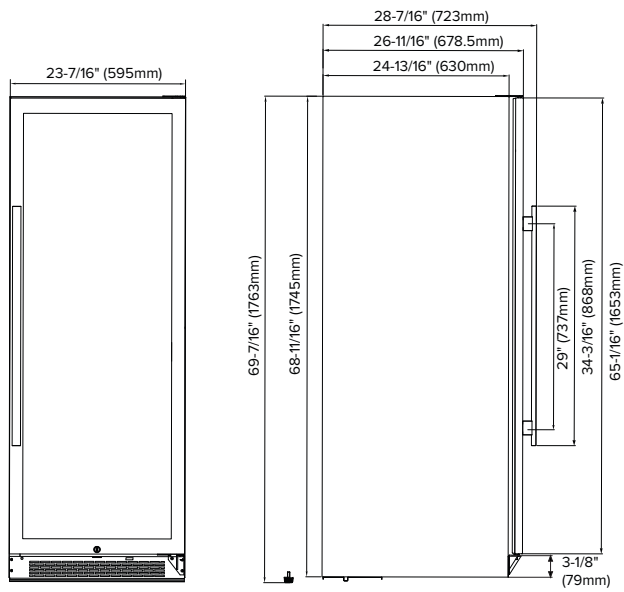
Model Details

Model	Voltage	Door Swing	Finish
AWC243TDZLHA	115V	Left Hinge	Stainless Steel
AWC243TDZRHA	115V	Right Hinge	Stainless Steel

Accessories

Model	Description	Finish
PCWRFILTER	Replacement Carbon Filter	Gray

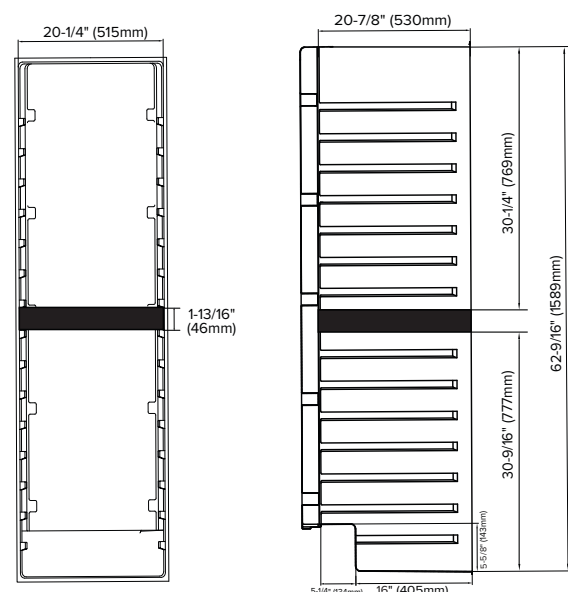
Exterior Dimensions



Front View

Side View

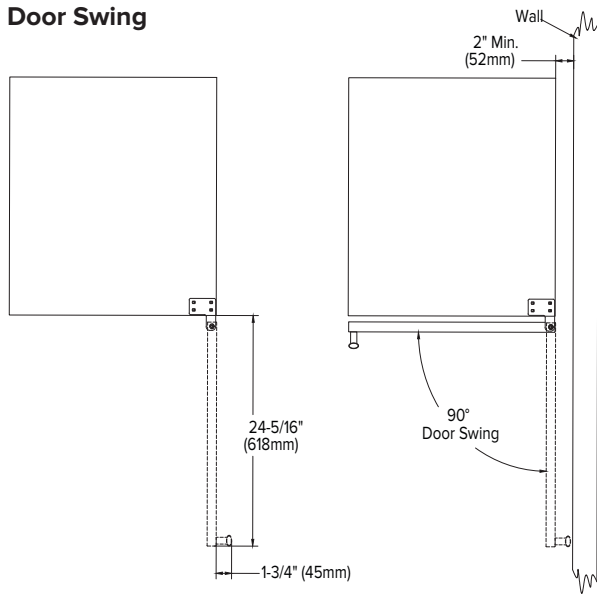
Interior Dimensions



Front View

Side View

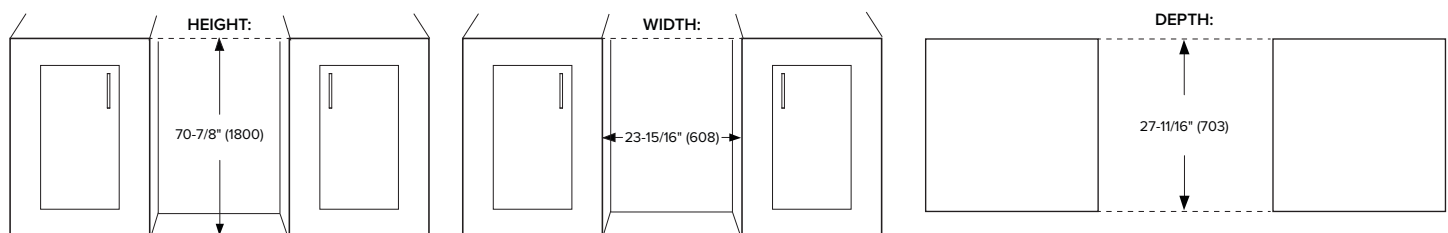
Door Swing



Specifications

Model #	AWC243TDZA
Wine Bottle Cap. (750 ml)	140
Product Depth	26-11/16"
Product Depth with Handle	28-7/16"
Product Height	69-7/16"
Product Width	23-7/16"
Product Weight	260 lbs
Refrigerant Type	R600a
Temperature Range	40°F – 65°F
Power Cord Length	6'
Amps	2.5
Electrical Supply	115 VAC, 60 Hz

Cutout Dimensions



Note: Dimensions in parentheses are in millimeters. Specifications are subject to change without notice. Visit Avallon.com for the latest information.