

SPECIFICATIONS

FIGURE 7501

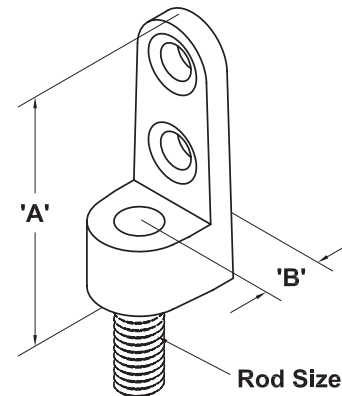
ATTACHMENTS



BEAM CONNECTOR

FEATURES

- Finish: Plain
- Material: Malleable Iron, ASTM A47 Grade 32510
- Per: MSS SP-58, type 34
- Hanger rod not included



REFERENCE CHART

Catalog Number	Finish	Rod Size	Max Load (lbs)	Dimensions (in.)		Wt. (oz.)
				A	B	
FNW7501PC	Plain	3/8"-16	250	2.19"	0.56"	1.8