

Product information presented here reflects conditions at time of publication. Consult factory regarding discrepancies or inconsistencies.

TECHNICAL DATA SHEET

Pivot Series Control Panels

- Pivot** 1Ph control panel, highly featured
- Pivot Pro** 1Ph or 3Ph control panel with advanced features such as a user-friendly LCD interface and support for pump sensors and Z Control®
- Pivot Pro +** The Pivot Pro + control panel is a Pivot Pro control panel built with one or more options and usually requiring a larger enclosure

SPECIFICATIONS

Certifications

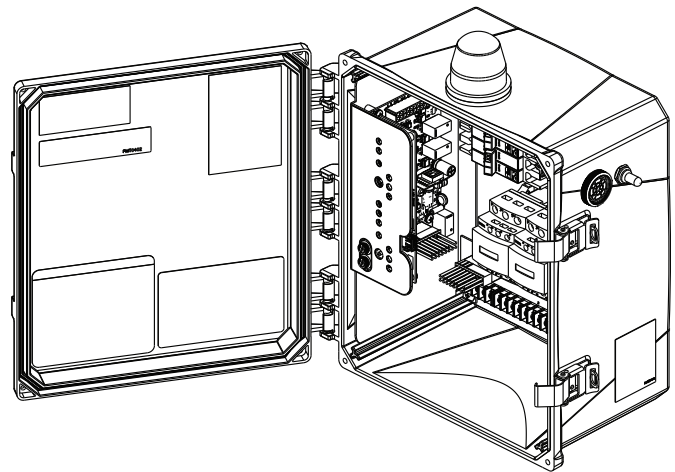
- cCSAus certified to standard UL508
- FCC Class-B certification to ISED Canada ICES-003, Issue 6
- For outdoor or indoor use, -40C to +60C

Components

- Red alarm beacon with 360-degree visibility
- Audible alarm buzzer rated 95 db at 2' (0.6 m)
- SILENCE/RESET/TEST toggle switch with weatherproof rubber boot
- HAND/OFF/AUTO control are included for each pump
- Auxiliary output dry contacts (NO-COM-NC) terminals, Form C, 5A resistive load
- Pump Run dry contact, (NO-COM)
- NEMA 4X 12"x10"x6" enclosure with lockable latch

Power

- Control circuit powered by 120VAC, 60 Hz
- Alarm circuit can be powered by separate power feed, if needed
- Alarm and control circuits individually fused, 3A, fast-acting, 120VAC
- Circuit breaker protection
- Max alarm and control circuit power consumption: Simplex models 32W, Duplex models 40W
- Max standby power consumption: 5W
- Terminals for 120VAC control power, 120VAC alarm power, up to 4 float switches (duplex), pump input power
- 1Ph IEC motor contactors, models 120/208/240 VAC, 50/60Hz, up to 50A maximum



31314-0001

Field Wiring & Maintenance

- 4 enclosure mounting brackets are included
- 2 sets of wiring schematics and installation instructions are included along with an inside door mounted QR code for easy access to additional support material online
- All wires and terminal locations thoroughly labeled for easy identification
- All components are serviceable (See FM3364 for available replacement parts)

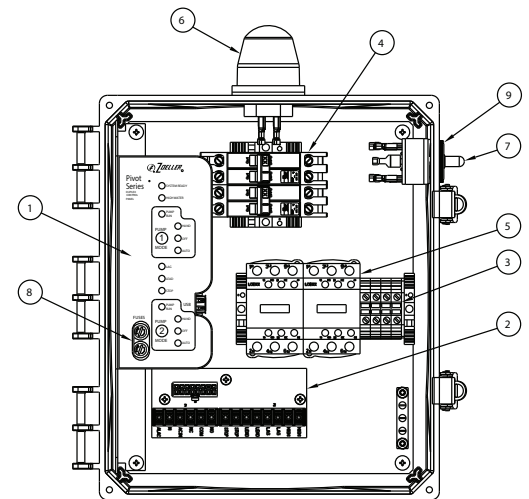
STANDARD FEATURES (For a more thorough description of features, see ZM3376 Panel Selection Guide or FM3295 Cross Reference and Features Comparison List)

- 5 year limited warranty
- RED/AMBER/GREEN LEDs for float switch indicators, Pump Run, High Water, System Ready, and HOA functions
- Ample room for field wiring
- TEST toggle will check all LEDs, globe, and horn
- Elapsed time and cycle counts via USB port
- Adjustable settings (see Installation Instructions)
 - o 'Smart' or 'Standard' float logic (Smart logic will compensate for bad floats. Standard logic will operate like traditional panels.)
 - o Continuous run alarm: 20 minute default (Additional adjustable settings accessible: enable or disable via USB port)
 - o HOA Pump Run & Service Off Timeouts (enable or disable via USB port)
 - Service OFF and Permanent OFF pump modes
 - Smart HOA timer prevents pump damage caused by accidental "ON"
 - Smart HOA includes a Service OFF reminder alarm
 - o Globe mode (solid, blink, or alarm-specific blink pattern)
 - o Duplex float configuration (Stop/Lead/Lag/High or Stop/Lead/High/Lag)

COMMON PIVOT CONTROL PANEL DETAILS

PART NO.	REV	SIMPLEX OR DUPLEX	ENCLOSURE	VOLTAGE	PHASE	FULL LOAD AMP	BREAKER RATING	DIMENSIONS "A" X "B" X "C"
31314-0001	A	SIMPLEX	NEMA-4X	120/208/240	1	0 TO 7	15	12" X 10" X 6"
31324-0001	A	SIMPLEX	NEMA-4X	120/208/240	1	7 TO 15	20	12" X 10" X 6"
31334-0001	A	SIMPLEX	NEMA-4X	120/208/240	1	15 TO 20	30	12" X 10" X 6"
31344-0001	A	SIMPLEX	NEMA-4X	120/208/240	1	20 TO 30	50	12" X 10" X 6"
31354-0001	A	SIMPLEX	NEMA-4X	120/208/240	1	0 TO 20	25	12" X 10" X 6"
32124-0001	A	DUPLEX	NEMA-4X	120	1	7 TO 15	20	12" X 10" X 6"
32134-0001	A	DUPLEX	NEMA-4X	120	1	15 TO 20	30	12" X 10" X 6"
32314-0001	A	DUPLEX	NEMA-4X	120/208/240	1	0 TO 7	15	12" X 10" X 6"
32324-0001	A	DUPLEX	NEMA-4X	120/208/240	1	7 TO 15	20	12" X 10" X 6"
32334-0001	A	DUPLEX	NEMA-4X	120/208/240	1	15 TO 20	30	12" X 10" X 6"
32344-0001	A	DUPLEX	NEMA-4X	120/208/240	1	20 TO 30	50	12" X 10" X 6"
32354-0001	A	DUPLEX	NEMA-4X	120/208/240	1	0 TO 20	25	12" X 10" X 6"

- 1) User Interface
- 2) Terminal Board
- 3) Pump Power Terminals (TB1)
- 4) Pump Circuits Breaker(s)
- 5) Motor Contactors
- 6) Globe
- 7) Test/Silence/Reset Switch
- 8) Fuses
- 9) Buzzer



Duplex Pivot

Alarm Conditions

Alarm Condition	User Interface LEDs						
	Latching	Globe	System Ready	High Water	Pump Run (1 or 2)	Pump Off (1 or 2)	Stop, Start/Lead, or Lag
Service Off Timeout	No	Double Blink	Off	Off	Off	Blinking Red	Off
Disabled Alarm Circuit	No	Double Blink	Off	Solid Red	Off	Off	Solid Red
Continuous Run	Yes	Solid	Off	Off	Blinking Amber	Off	Off
High Water Float Logic Error	Yes	Slow Blink	Off	Blinking Red	Off	Off	Off
Float Logic Error	Yes	Slow Blink	Off	Off	Off	Off	Blinking Red
Float Questionable	Yes	Slow Blink	Off	Off	Off	Off	Blinking Amber
High Water	Yes	Solid	Off	Solid Red	Off	Off	Off
High Control Voltage	Yes	Off	Blinking Green	Blinking Red	Blinking Red	Blinking Red	Blinking Red