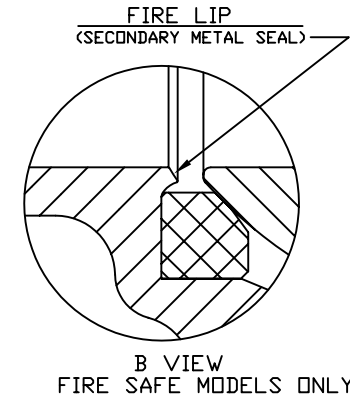
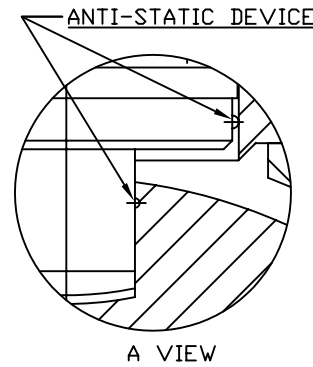


Ref. No.	Description	Material		Qty
		601	601A	
1	Body	ASTM A216 Gr. WCB		1
2	Ball	316SS		1
3	End Cap	ASTM A216 Gr. WCB		1
4	Seat	RTFE (PTFE+15% G.F.)		2
5	Body Seal	PTFE	Grafoil+316SS	1
6	Stem	316SS		1
7	Stem Packing	PTFE	Grafoil	1 Set
7A	Stem Bushing	PTFE		1
7B	Bearing	PTFE		1
8	Handle	FCD45		1
9	Snap Ring	304SS		2
9A	Stop Plate	304SS		1
10	Thrust Washer	PTFE	PTFE+Grafoil	1
11	Gland	304SS		1
13	Gland Bolt	304SS		2
17	Body Stud	ASTM A193 Gr. B8		4-12
18	Body Nut	ASTM A194 Gr. 8		4-12



Size	ØB	ØC	ØD	E	ØG	L	H	S	ØK	ØM	T1	T2	n	ØN
1/2	2.38	1.38	0.50	5.59	3.50	4.25	3.10	0.433	1.65	1/4-20	0.06	0.44	4	0.62
3/4	2.75	1.69	0.75	5.59	3.88	4.62	3.61	0.433	1.65	1/4-20	0.06	0.44	4	0.62
1	3.12	2.00	1.00	5.59	4.25	5.00	3.04	0.551	1.97	1/4-20	0.06	0.44	4	0.62
1-1/2	3.88	2.88	1.50	7.87	5.00	6.50	4.36	0.669	2.76	5/16-18	0.06	0.56	4	0.62
2	4.75	3.62	2.00	7.87	6.00	7.00	4.66	0.669	2.76	5/16-18	0.06	0.62	4	0.75
2-1/2	5.50	4.12	2.50	7.87	7.00	7.50	5.57	0.669	2.76	5/16-18	0.06	0.69	4	0.75
3	6.00	5.00	3.00	12.93	7.50	8.00	6.64	0.866	4.02	3/8-16	0.06	0.75	4	0.75
4	7.50	6.19	4.00	12.93	9.00	9.00	7.55	0.866	4.02	3/8-16	0.06	0.94	8	0.87
6	9.50	8.50	6.00	29.62	11.00	15.50	10.89	1.063	4.92	1/2-13	0.06	1.00	8	0.87
8	11.75	10.62	7.87	39.37	13.50	17.99	11.81	0.866	5.51	5/8-11	0.06	1.12	8	0.87
10	14.25	12.76	9.84	39.37	15.98	21.00	13.78	1.063	6.50	3/4-10	0.06	1.20	12	1.00

FNW™

4120 NE Columbia Blvd
Portland, OR 97211
Phone (503) 287-8383
Fax (503) 281-9677

TITLE/DESCRIPTION: Fig 601/601A, 2PC, 150# FLANGED <RF>, CARBON STEEL x STAINLESS STEEL, FUL PORT (FIRE SAFE OPTION)

DATE: 8-3-2005 BY: UNITS: INCHES

SCALE: NONE APP'D: PAGE(S): 1

MODEL: 601 & 601A

DWG NO: FNW601/601A

NOTES:

FILE: 601_050-10.dwg WT: LOC: PORTLAND

PAGE SIZE: 8.5 x 11L REV: 0 R'DATE:

THIS DRAWING CONTAINS CONFIDENTIAL AND PROPRIETARY INFORMATION OF FNW VALVE AND IS SUBMITTED TO YOU FOR THE LIMITED PURPOSE OF PROVIDING YOU INFORMATION ON PRODUCTS AND SYSTEMS PURCHASED FROM FNW VALVE. BY RECEIVING THIS DOCUMENT, YOU AGREE NOT TO DISCLOSE SUCH INFORMATION TO OTHERS EXCEPT BY WRITTEN PERMISSION OF FNW VALVE.