

LEXIA SINGLE-HOLE BATHROOM FAUCET

SKU: 953760

Code: SHWSCLE107, SH488889



FEATURES

Material: Metal construction for strength and durability

Installation Type: Single-Hole

Flow Rate: 1.2 gpm (4.5 L/min) @ 60 psi

Cartridge Type: Ceramic Disc

Swivel Spout: No

Drain Type: Metal push-pop with overflow

Optional Accessory: Optional deck plate: SHLZ4DP*

ASME A112.18.1/CSA B125.1, NSF/ANSI 372, NSF/ANSI 61, NSF/ANSI/CAN 61, NSF/ANSI/CAN 61-9:Q≤1, ICC/ANSI A117.1, CEC Listed, CALGreen, WaterSense by IAPMO, Massachusetts Accepted, LISTED ID: SHWSCLE107*



ADDITIONAL FEATURES

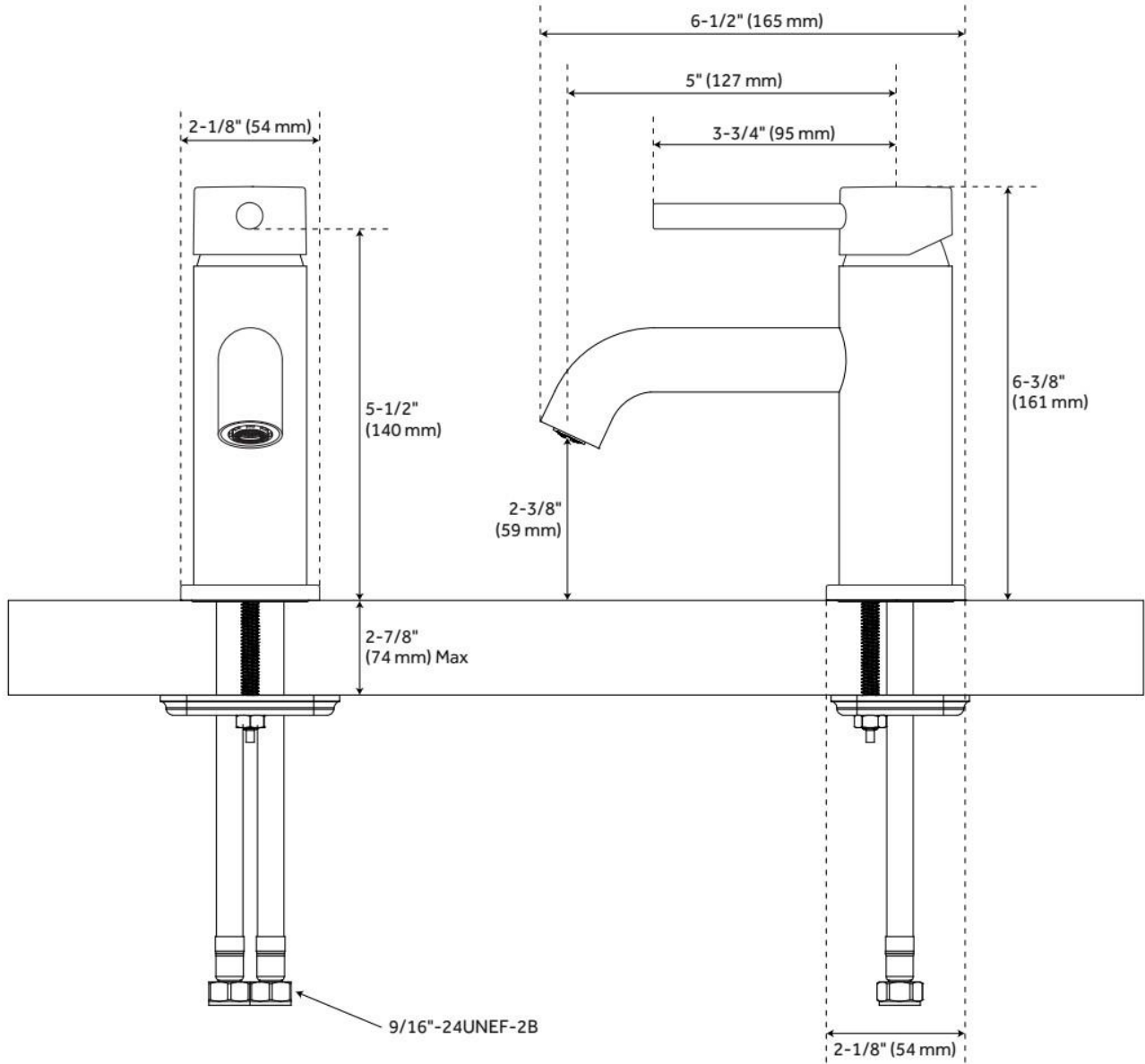
- Included drain is compatible with sinks that have an overflow hole.
- Optional deck plate available that can be used to hide holes when retrofitting from a widespread faucet. (SHLZ4DP)

REVISED 5/21/2024

LEXIA SINGLE-HOLE BATHROOM FAUCET

SKU: 953760

Code: SHWSCLE107, SH488889



REVISED 5/21/2024

LEXIA SINGLE-HOLE BATHROOM FAUCET

SKU: 953760

Code: SHWSCLE107, SH488889



REVISED 5/21/2024