

# AprilAire®

## Ventilation

### SPECIFICATION SHEET

## Model 8142A

Fresh Air Ventilator With  
Backdraft Damper No Filter

### FEATURES

- Unit is designed, when properly installed, to achieve ASHRAE Standard 62.2
- Operates a minimum of one hour out of every four to meet IRC requirements
- Complies with IECC (2.8 cfm/watt)
- Control is integrated into the ventilator
- High and Low Temperature Limit Lock-outs while maintaining ASHRAE Standard 62.2
- Simple plug-in installation
- Installation temperature range up to 160°F



### SPECIFICATIONS

<b>Overall Dimensions</b>	6 <sup>3</sup> / <sub>8</sub> " H x 13 <sup>1</sup> / <sub>10</sub> " W x 13 <sup>2</sup> / <sub>5</sub> " L including control
<b>Inlet Collar</b>	6" Round
<b>Outlet Collar</b>	6" Oval
<b>Ventilation Setting</b>	Off, 15–60 minutes, (5 min increments), Test/Reset
<b>Ambient Temperature</b>	0°F – 160°F
<b>Outdoor Temperature Limits</b>	Setting "A", no limit, time only "B", 105°F high limit, 20°F low limit "C", 100°F high limit, 30°F low limit "D", 95°F high limit, 40°F low limit
<b>Voltage</b>	115VAC, 1 phase, 60 Hz
<b>Power</b>	Includes 5' power cord with 3 prong plug
<b>Ducting</b>	6" diameter flexible insulated duct
<b>Warranty</b>	5 Years
<b>ETL</b>	Tested to UL Standard 705 – Power Ventilators Not For Outdoor Use

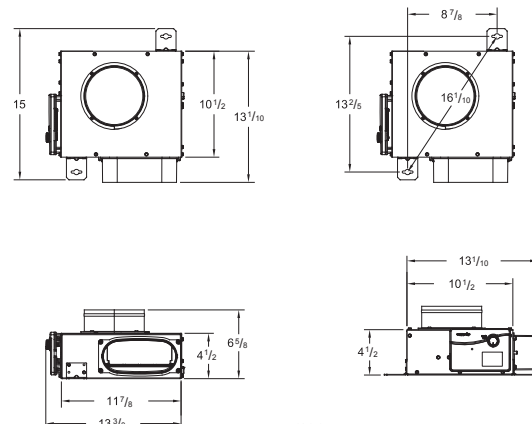
### BENEFITS

- The precise amount of outside air needed in today's efficiently designed homes is delivered
- Optimize energy savings by locking out ventilation during hottest/coldest times of the day
- Improves indoor air quality
- Installation labor reduced, requires only a switched outlet and 24 volt wiring to HVAC system
- Furnace or air handler does not require an ECM motor to meet efficacy requirement

**When properly installed and set, the AprilAire Model 8142A Fresh Air Ventilator will meet the mechanical ventilation requirements of:**

- Energy Star Certified Homes, Version 3
- EPA Indoor airPLUS, Version 1
- International Residential Code (IRC)
- International Energy Conservation Code (IECC)
- California Energy Commission Title 24

Figure 1 - Overall Dimensions (inches) Model 8142A

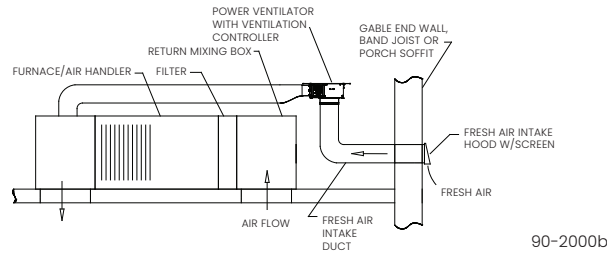


## ESTIMATED PERFORMANCE VALUES

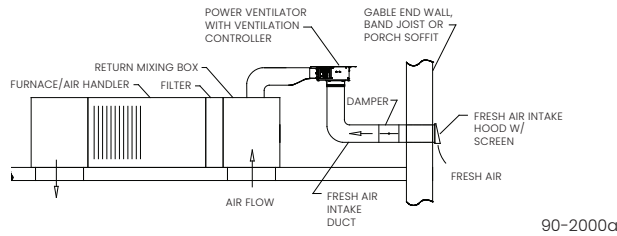
External Static Pressure* (" w.c.)	Airflow (CFM)	Current (amps)	Efficacy (CFM/watt)
0.0	245	0.63	3.30
0.2	220	0.64	2.96
0.4	190	0.64	2.57
0.6	160	0.63	2.12
0.8	120	0.61	1.69
1.0	95	0.60	1.35

\* Measured across ventilator.

### TYPICAL ATTIC INSTALLATION — POWER VENTILATOR DUCTED TO SUPPLY DUCT



### ALTERNATE ATTIC INSTALLATION — POWER VENTILATOR DUCTED TO RETURN DUCT



### MOUNTING BRACKET DIMENSIONS

