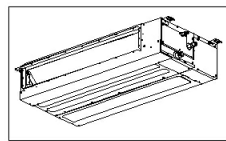
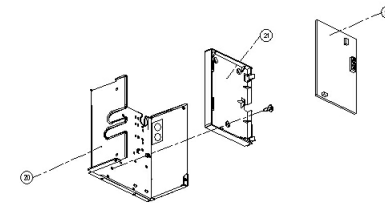
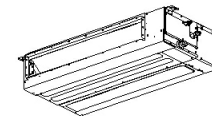
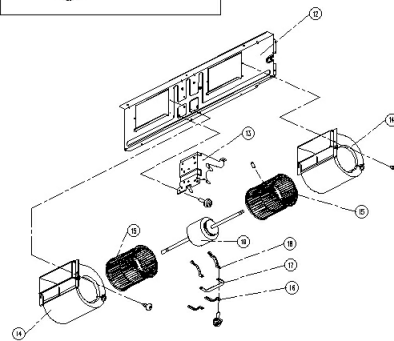
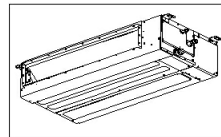
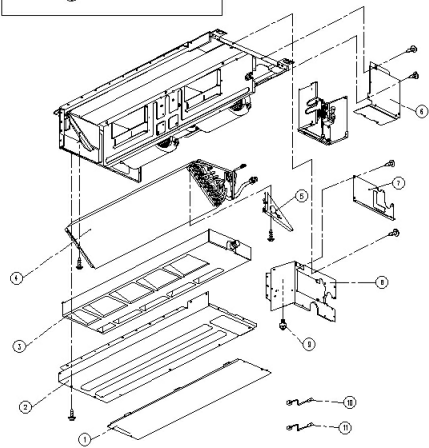


FPHFD09A3A



Non-illustrated Part
23 Filter



FPHFD09A3A

| N. | Part Number | Description | Qty |  |
|----|-------------|-----------------------|-----|---|
| 1 | 67400885 | Base Plate | 1 | |
| 2 | 67400886 | Bottom Plate | 1 | |
| 3 | 67400887 | Water Drain | 1 | |
| 4 | 67400409 | Evaporator Coil | 1 | |
| 5 | 67400902 | Support | 1 | |
| 6 | 67400889 | Electric Box Cover | 1 | |
| 7 | 67400904 | Seal Plate | 1 | |
| 8 | 67400891 | Rght Side Board | 1 | |
| 9 | 67400414 | Water Position Switch | 1 | |
| 10 | 67400415 | Coil Temp Sensor | 1 | |
| 11 | 67400416 | Ambient Temp Sensor | 1 | |
| 12 | 67400892 | Fan Board | 1 | |
| 13 | 67400907 | Motor Support | 1 | |
| 14 | 67400894 | Fan Snail Shell | 1 | |
| 15 | 67400417 | Blower Wheel | 1 | |
| 16 | 67400911 | Hooking | 1 | |
| 17 | 67400896 | Connecting Rod | 1 | |
| 18 | 67400897 | Hooking | 1 | |
| 19 | 67400411 | Indoor Fan Motor | 1 | |
| 20 | 67400915 | Electric Box | 1 | |

FPHFD09A3A

| N. | Part Number | Description | Qty |  |
|----|-------------|--------------|-----|---|
| 21 | 67400420 | Electric Box | 1 | |
| 22 | 67400995 | Main PCB | 1 | |
| 23 | 67401250 | Air Filter | 1 | |