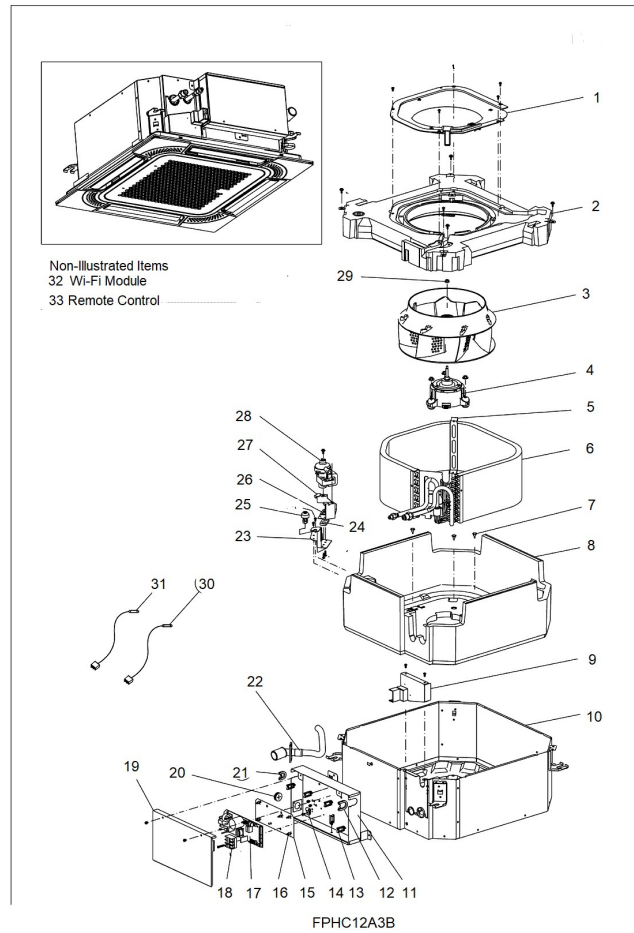




**FPHC12A3B**


**FPHFC12A3B**

N.	Part Number	Description	Qty	
1	67400976	Air Guiding Plate	1	
2	67400977	Water Drain Tube	1	
3	67400425	Blower Wheel	1	
4	67400426	Indoor Fan Motor	1	
5	67400843	Fixed Board	1	
6	67400427	Evaporator Coil	1	
7	67400844	Screws	1	
8	67400845	Fan Volute Assembly	1	
9	67400828	Fixed Board	1	
10	67400847	Shell	1	
11	67400848	Electric Box Assembly	1	
12	67400978	Clamp	1	
13	67400979	Clamp	1	
14	67401012	Panel	1	
15	67400428	Insulative Spacer Block	1	
16	67400429	Support	1	
17	67400430	Main PCB	1	
18	67400365	Connect Terminal Panel	1	
19	67400424	Electric Box Cover	1	
20	67400833	Rubber Ring	1	

**FPHFC12A3B**

<b>N.</b>	<b>Part Number</b>	<b>Description</b>	<b>Qty</b>	
21	67400980	Over Clamp	1	
22	67400853	Water Pipe	1	
23	67400854	Fixed Board	1	
24	67400981	Rubber Cushion	1	
25	67400447	Water Position Switch	1	
26	67400982	Rubber Cushion	1	
27	67400857	Mounting Plate	1	
28	67400433	Condensation Pump	1	
29	67400983	Hex Nuts	1	
30	67400208	Coil Temp Sensor	1	
31	67400435	Ambient Temp Sensor	1	
32	67401169	Wifi Module	1	
33	67401168	Remote Control	1	