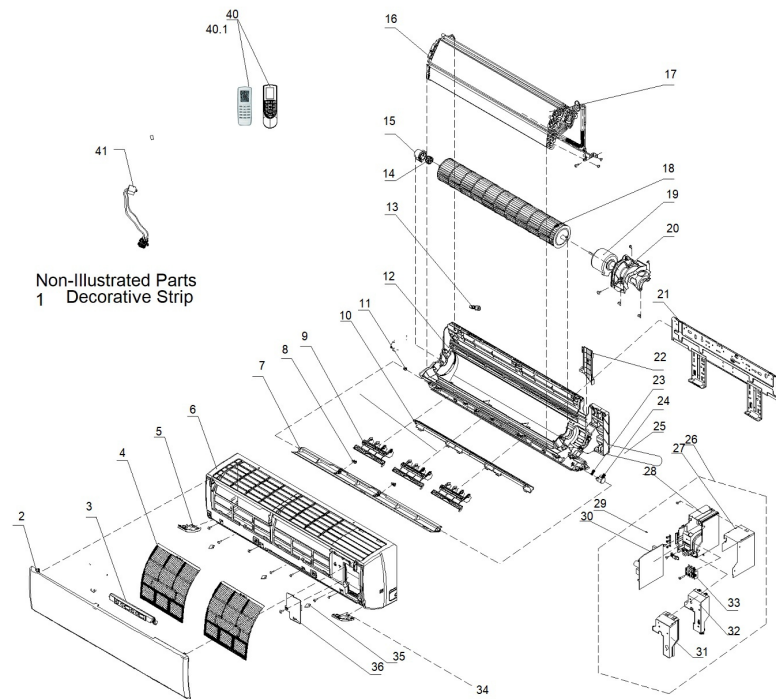



FHSW18A3A




FSHW18A3A

FSHSW18A3A

N.	Part Number	Description	Qty	
1	69700691	Decorative Strip	1	
2	69700692	Front Panel Assy	1	
3	69700904	30565264 Display Board	1	
4	69700694	Air Filter	1	
5	69700695	Decorative Board (Left)	1	
6	69700696	Front Case Assy	1	
7	69700697	Guide Louver	1	
8	69700647	Axile Bush	1	
9	69700699	Louver	1	
10	69700700	Helicoid Tongue	1	
11	69700631	Left Axile Bush	1	
12	69700702	Rear Case Assy	1	
13	69700481	Rubber Plug (Water Tray)	1	
14	69700635	O-Gasket Sub-Assy Of Bearing	1	
15	69700187	Ring Of Bearing	1	
16	69700706	Support	1	
17	69700707	Evaporator Coil	1	
18	69700708	Blower Wheel	1	
19	69700709	Indoor Fan Motor	1	
20	69700710	Motor Press Plate	1	

FSHSW18A3A

N.	Part Number	Description	Qty	
21	69700711	Wall Mounting Frame	1	
22	69700308	Connecting Pipe Clamp	1	
23	69700358	Crank	1	
24	69700714	Louver Motor	1	
25	69700665	Drainage Hose	1	
26	69700716	Electric Box Assy (PCB Included)	1	
27	69700717	Lower Shield Of Electric Box	1	
28	69700718	Electric Box	1	
29	69700719	Jumper	1	
30	69700720	Main PCB	1	
31	69700721	Shield Cover Of Electric Box	1	
32	69700722	Electric Box Cover	1	
33	69700130	Terminal Board	1	
34	69700724	Decorative Board (Right)	1	
35	69700725	Screw Cover	1	
36	69700726	Electric Box Cover	1	
40	69700657	Remote Control (Gray)	1	
40.1	69700623	Remote Control	1	
41	69700769	Temp Sensor Kit 15Ks/20Kt	1	