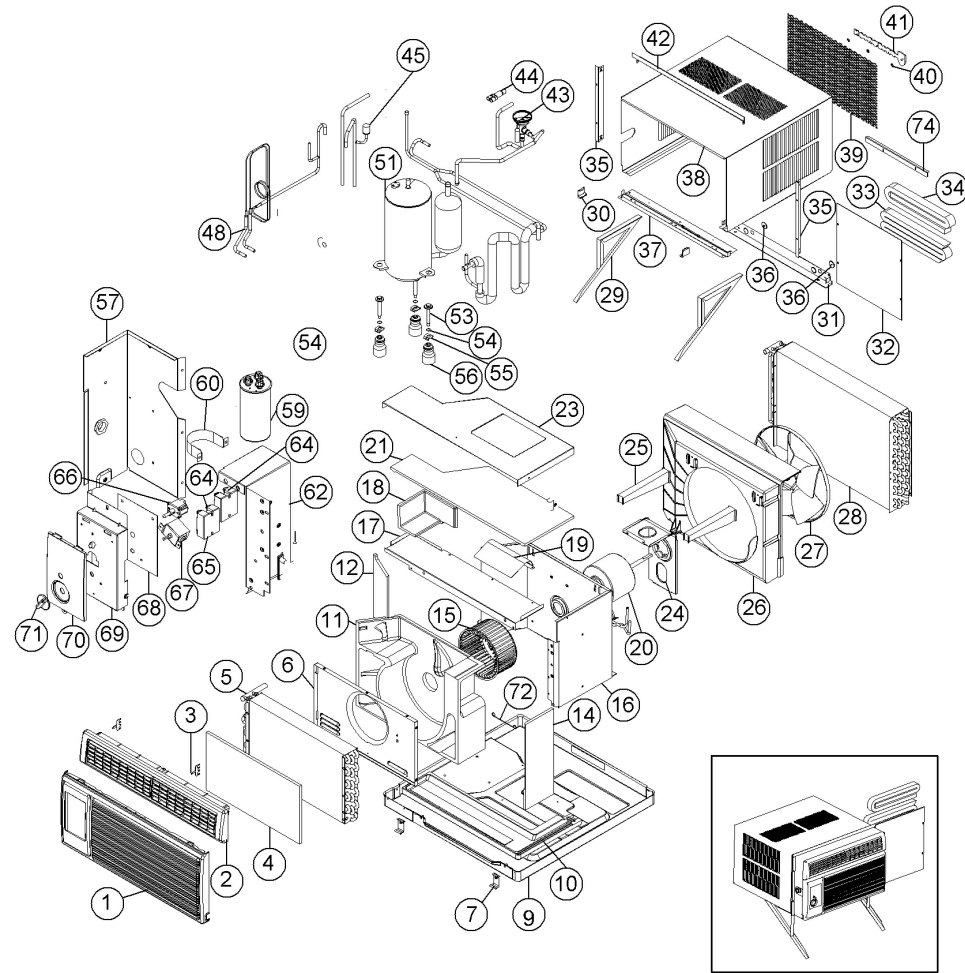


SH24N30A-A



SH24N30A-A

SH24N30A-A

N.	Part Number	Description	Qty
1	61811113	Grille Intake Med 2012	1
2	61831007	Assy Plenum 2012 Hazardguard	1
3	60865900	Holder Filter	1
4	60865809	Filter, Air	1
5	61850030	Coil Mes.312X4X16Rc2V45A18X13H6	1
6	61817400	Blower Front	1
7	61989000	Latch, Intake Grille	1
9	61803472	Assy Bspan S/M "Z" Bolt Ngt	1
10	61803800	Drainpan Sml/Med	1
11	61817505	Scroll, Med	1
12	61817001	Insul L/S Panel Med	1
14	61816901	Insul Innerwall, Med	1
15	60610617	Wheel Blower 8.66 X 4.25	1
16	61907205	Innerwall Hzg 2 Brce Med	1
17	61817100	Deck Sml/Med	1
18	61816800	Insul L/S Air Deck S/M	1
19	61820200	Airfoil Sry/Med/Sh	1
20	61871510	Mtr 1/4 4 6P Ccw 2 Psc 7.5 Haz Well	1
21	61816701	Insul Top Cover S/M	1
23	61906700	Cover Top S/M	1

SH24N30A-A

N.	Part Number	Description	Qty	
24	61804100	Fan Motor Mount	1	
25	61802600	BRACe Shroud, Sml/Med	1	
26	61804901	Shroud Med W/Fd Restraint	1	
27	60542004	Fan Plastic 14.5" Ta1004	1	
28	61850258	Coil Mcs.312X4X16Rc9N45E21X17H6	1	
29	61109515	Assy Brkt Support Painted S/M/L Ngt	1	
30	61819601	Shell Guide S/M/L	1	
31	61803014	Angle Shell Painted S/M Ngt	1	
32	60294419	Wingboard Med Hdf Ng	1	
33	61717302	Gasket Chassis Seal (Uv Res S/M/L)	1	
34	60073300	Gasket Urethane Foam	1	
35	61819820	Angle Wngbrd Side Painted Med Ngt	1	
36	61915100	Spacer, Shipping	1	
37	61808416	Sill Plate Painted S/M Ngt	1	
38	61910112	Shell Flat Hzd Med Painted W/ Honeycomb	1	
39	61818521	Expanded Metal Grille Painted Med	1	
40	91002900	Speednut Push Type	1	
41	60169120	Script Friedrich 2010 "Festoon"	1	
42	61819720	Angle Wngbd Top Painted S/M Ngt	1	
43	60809501	By Pass Valve	1	

SH24N30A-A

N.	Part Number	Description	Qty
44	60141124	Distributor	1
45	80112504	High Pressure Switch	1
48	67000228	Cap Tube Assy Kitcontains Capt Tube Assy 61944517, Strainer, And Strainer Holder	1
51	61718150	Kit Compr Replmt (62200201)	1
53	91400403	Stud Comp Mtg	1
54	91003223	O Ring Neoprene .375 Id	1
55	61625121	Brkt Comp Mntg Modified	1
56	61028905	Grommet Comp 3/8" X 60.5Mm RAC	1
57	61937101	Panel L/S Med	1
59	61080604	Capctr 55/7.5 Mf 450V 2.5	1
60	61820703	Strap Capacitor 2.5 Haz	1
62	61804304	Partition Cntrl Box Med	1
64	61108801	Relay A4850-10	1
66	60935300	Switch, On-Off Dpst	1
67	61822502	Thermostat	1
68	61829301	Plate Control Panel Haz-Ssr	1
69	61811054	Assy Contr Box & Plate Sh20	1
70	61822664	Deco Panel Hzrd 2010	1
71	61493915	Knob, Control	1
72	61826400	Retainer Chassis	1

SH24N30A-A

N.	Part Number	Description	Qty	
74	61611701	RAC Grille Mounting Brkt Med	1	