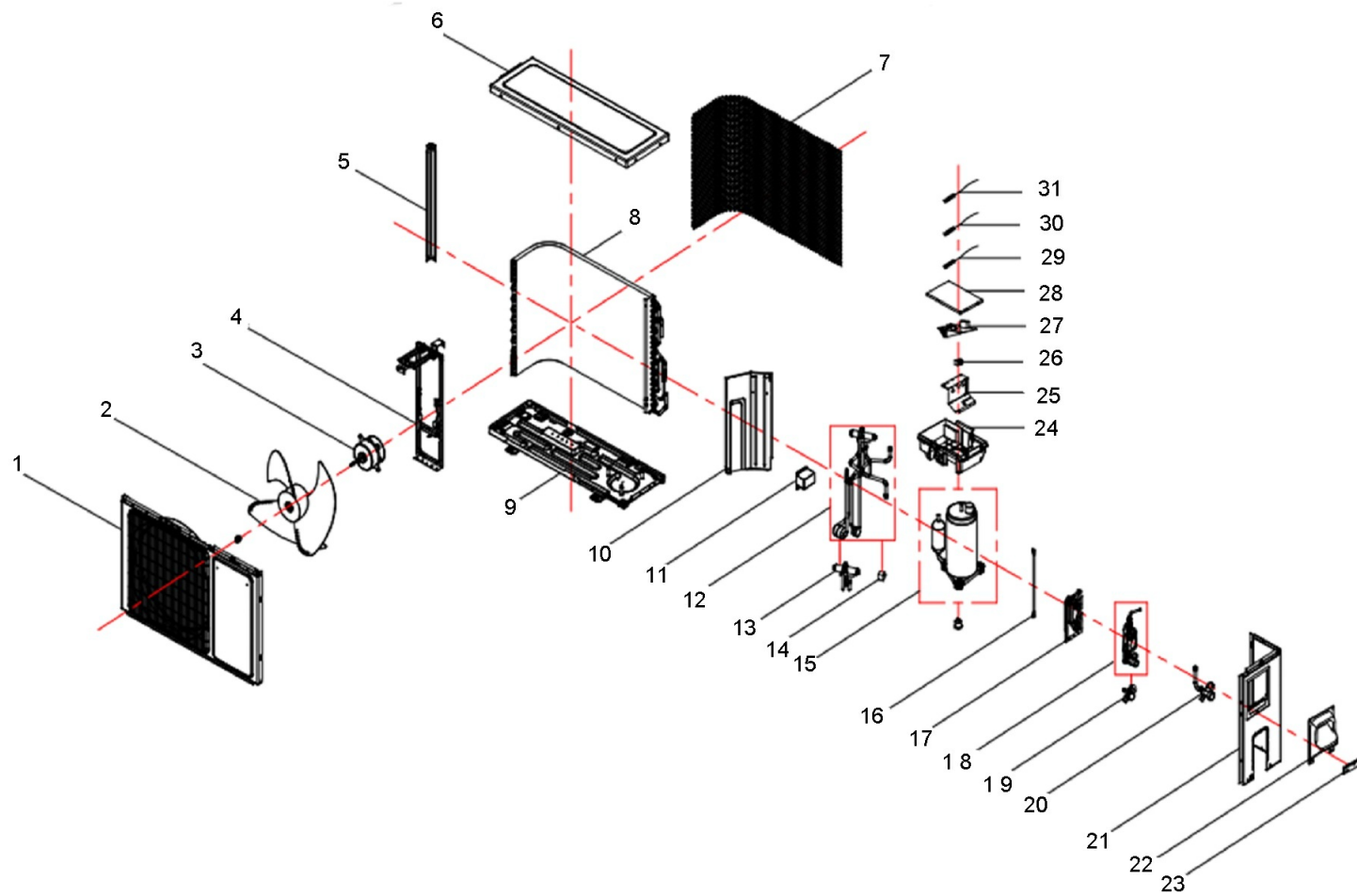




FPHSR09A1A



FPHSR09A1A

N.	Part Number	Description	Qty	
1	67400747	Panel Parts	1	
2	67400335	Outdoor Fan Blade	1	
3	67400182	Outdoor Fan Motor	1	
4	67400748	Motor Support	1	
5	67400749	Mounting Plate	1	
6	67400750	Upper Board	1	
7	67400751	Back Guard	1	
7	67400752	Left Guard	1	
8	67400753	Condensor Coil	1	
9	67400754	Base Holder Part	1	
10	67400755	Clapboard	1	
11	67400268	Reactor	1	
12	67400756	Reversing Valve Assy	1	
13	67400194	Reversing Valve	1	
14	67400758	Reversing Valve Solenoid	1	
15	67400759	Compressor	1	
16	67400760	Compressor Connect Wire	1	
17	67400761	Valve Seat	1	
18	67400279	Cap Tube Assy	1	
19	67400280	Two Way Valve	1	

FPHSR09A1A

N.	Part Number	Description	Qty	
20	67400281	Three Way Valve	1	
21	67400762	Right Side Board	1	
22	67400763	Wiring Distribution Cover Assy	1	
23	67400202	Fixed Board	1	
24	67400765	Electric Box	1	
25	67400766	Connecting Board	1	
26	67400275	Wire Terminal Board	1	
27	67401226	Main PCB	1	
28	67400767	Electric Box Cover	1	
29	67400277	Coil Temp Sensor	1	
30	67400209	Discharge Temp Sensor	1	
31	67400210	Ambient Temp Sensor	1	