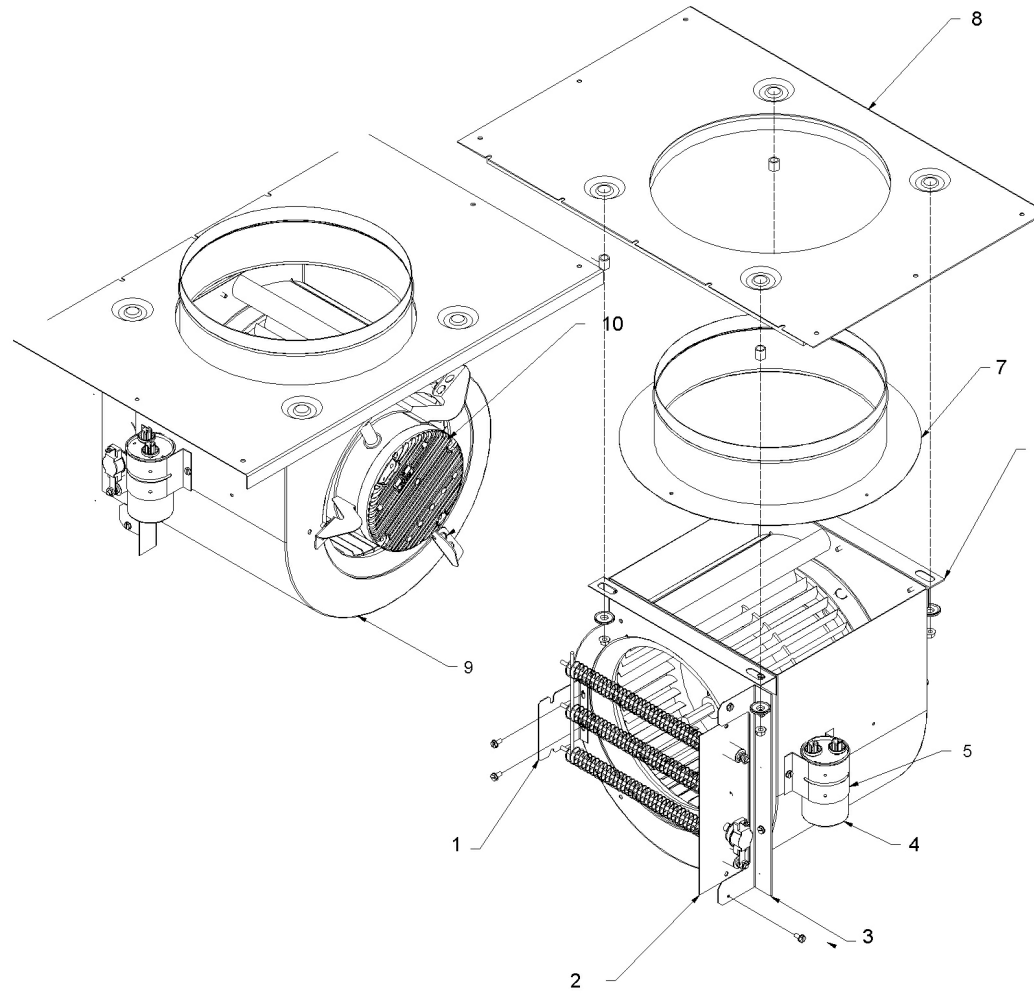



VHA18R50RTP-B 18k blower



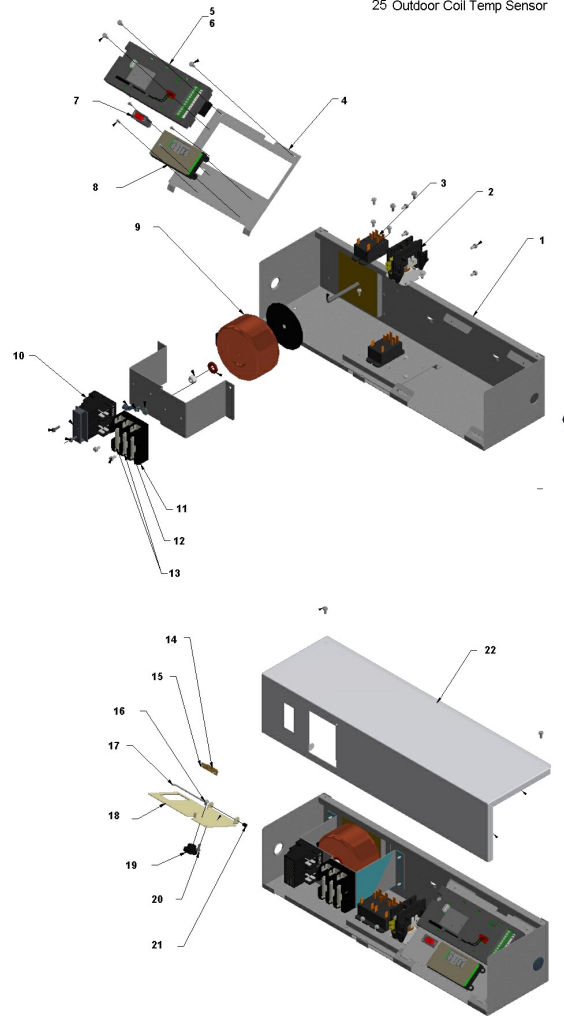
18k Blower

VHA18R50RTP-B 18k blower

N.	Part Number	Description	Qty	
1	80113300	Heater Holding BRACket VPAK 24	1	
2	80102297	Heater VPAK-A Nxt 5.0Kw 265V	1	
3	80102600	Heater BRACket Items Are Non-Stocked, Will Normally Require 60-120 Days Lead Time	1	
4	61080700	Capctr 35 Mf 370V 2.0	1	
5	20709185	Clamp, Capacitor: Replaced By 60062720	1	
6	80103600	Blower BRACket	1	
7	80001800	Collar 24 Ga.	1	
8	80113200	Top Cover Insul Assy	1	
9	80103200	Assy Blower Wheel And Scroll	1	
10	80106973	Mtr 1/4 4 10P Cw 1 Bldc VPAK Lrg	1	

VHA18R50RTP-B 18k control box 265v

Non-Illustrated Parts
 23 Indoor temp Sensor
 24 Indoor Coil Temp Sensor
 25 Outdoor Coil Temp Sensor




(18k 265v Control Box)

VHA18R50RTP-B 18k control box 265v

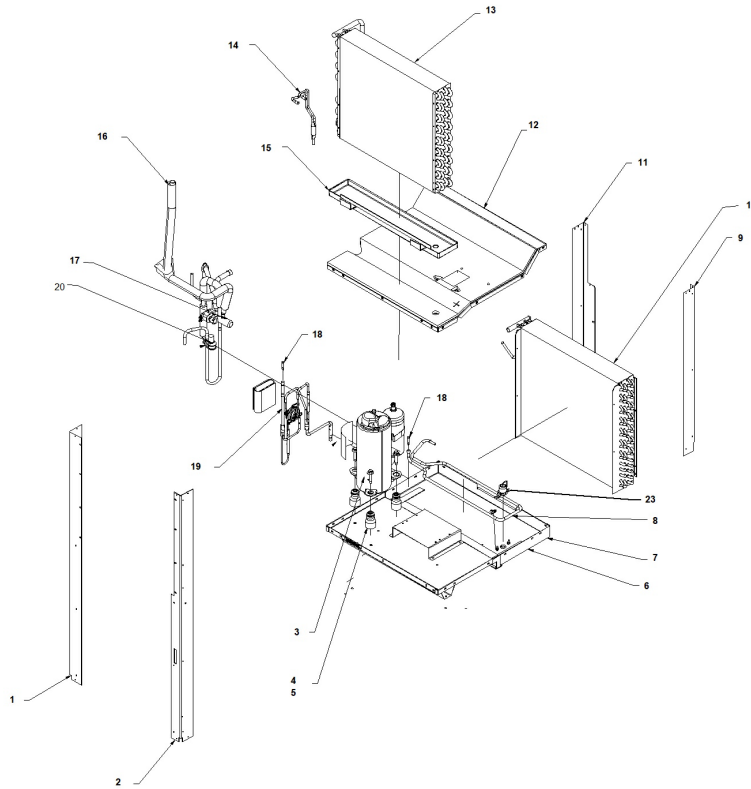
N.	Part Number	Description	Qty
1	80118402	Assy C-Box Large 230-265V	1
2	80118601	Contactora 240Vac Hcl-1Nu01Aac	1
3	61643311	Relay 230V Coil Dpdt 30A 208/240Vac	1
4	80116907	BRACKET Elect Cntrl VPAK Large Circ-Breaker	1
5	62601009	Kit E-Cntl Serv Cool Hp Vha	1
7	61773324	Switch Circuit Brkr 20A 230V Citr220Q2Ns	1
8	62600601	Display Service Vpac Kuhl	1
9	61670803	Transformer In 265V Out 235 V	1
10	80007600	Nonfused Disconnect	1
11	61776111	Fuse Block 3 Poles 30 Amp	1
12	61773317	Fuse 600V 20A Cc Td	1
13	61773319	Fuse 600V 15A Cc Td	1
14	80117001	Lock Mechanism Ball Bearing	1
15	90603405	Screw 4F-40X3/8 Round Pan Phill Zin	1
16	90605602	Screw Phillips #10-32 X .250	1
17	61610400	Pin Hinge	1
18	80015707	Cover Control Box Door	1
19	80086100	Knob Knurled	1
20	90605301	Screw #8 Sg X 3/8 Hwh B Pt	1
21	91201202	Rivet Id .093 Plastic	1

VHA18R50RTP-B 18k control box 265v

N.	Part Number	Description	Qty	
22	80116603	Control Box Lid Prepntd	1	
23	62600203	Sensor Id R/A Temperature (White)	1	
24	62600205	Sensor Id Coil Temperature (Green)	1	
25	62600206	Sensor Od Coil Temperature (Blue)	1	

VHA18R50RTP-B refrigeration assy

Non-illustrated Parts
21 Cap Tube
22 Cap Tube



18k Refrigeration

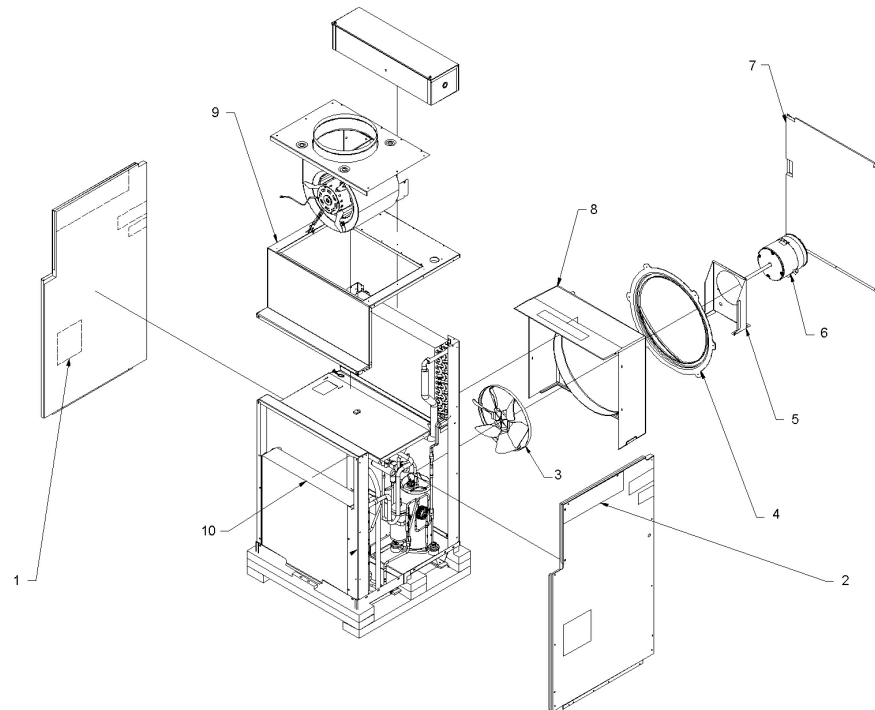
VHA18R50RTP-B refrigeration assy

N.	Part Number	Description	Qty
1	80101600	Upper Right Post	1
3	61717188	Kit Compr Replacmnt 62200317	1
4	91400402	Stud Comp Mtg	1
7	80115229	Basepan VPAK Large Caulked Dbl-Drain	1
8	80105603	Assy Sump Tube	1
9	80101300	Lower Left Post	1
10	80101261	Coil, Condensorcvs.312X4X14Rc2V45A20X19H	1
11	80101400	Lower Right Post	1
12	80106201	Assy Innerwall Insulation	1
13	62050004	Coil, Evaporator Les.375X4X14Rc2V45A20X14H6	1
14	80042958	Assy Tube Check Valve To Evap	1
15	80100301	Evap Drainpan, VPAK Large	1
16	25018705	Assy Reversing Valve	1
17	25063606	Coil Solenoid 208/230Vac Dunan W/Wires Dxq-1680	1
18	61834800	Strainer .312 Coil	1
19	80109309	Assy Tube Check Valve	1
20	80112504	High Pressure Switch	1
23	60179904	Condensate Drain Valve	1

VHA18R50RTP-B Unit Assembly


Non-Illustrated Parts

- 11 Connector -Fresh Air
- 12 Exhaust Door Channel
- 13 Exhaust Door Slide



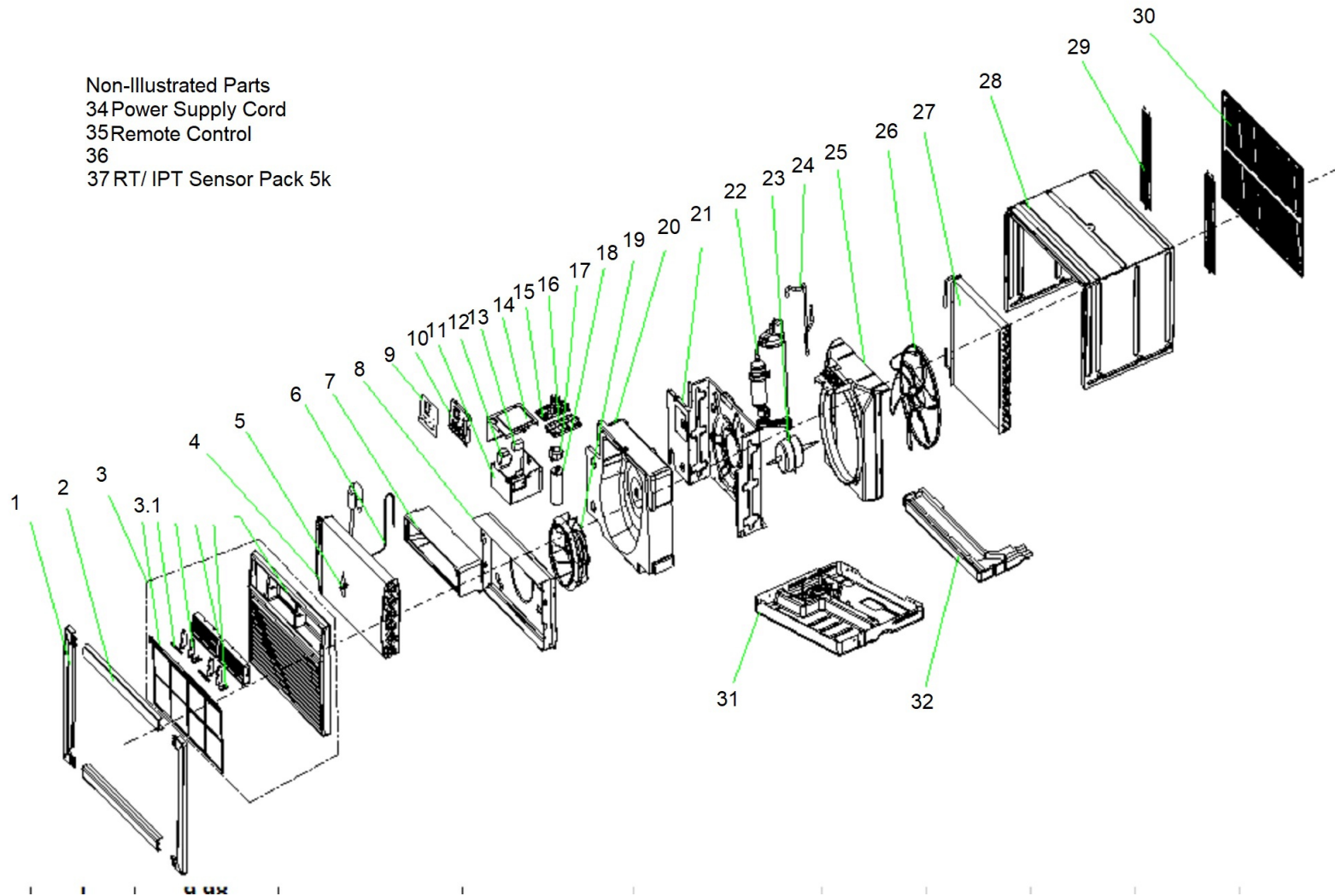
18k Unit Assembly

VHA18R50RTP-B Unit Assembly


N.	Part Number	Description	Qty	
1	80106501	Assy Left Panel Insul Prepntd	1	
2	80106401	Assy Right Panel Insul Prepntd	1	
3	60542007	Fan Plastic 16" Lrg; VPAK	1	
4	80101011	Shroud Ring Water Trap	1	
5	61776905	Mtr Mount Large (144Mm)	1	
6	80102172	Mtr 1/4 10P Ccw Fan Blcd Nan-Feng	1	
7	80106601	Assy Rear Panel Insul Prepntd	1	
8	80114102	Shroud, VPAK Large For Ring	1	
9	80106702	Asy Top Panel Insul Prepntd	1	
10	80113900	Support VPAK 24	1	
11	61814801	Connector Fresh Air Lrg	1	

UCT12A10A


Non-Illustrated Parts
 34 Power Supply Cord
 35 Remote Control
 36
 37 RT/ IPT Sensor Pack 5k



UCT12A10A

N.	Part Number	Description	Qty	
1	68000055	210738331 - Display Decorative Piece1	1	
2	68000056	210738332 - Display Decorative Piece2	1	
3	68000057	210755503 - Front Panel Assembly	1	
3.1	68000058	210755506 - Air Filter	1	
4	68000398	211238079 - Evaporator	1	
6	68000399	211238080 - Capillary Assembly	1	
7	68000375	210738268A - Outlet Foam	1	
8	68000376	210836747 - Front Partition Plate	1	
9	68000377	210755615A - Display PCB Cover	1	
10	68000132	210738277 - Control Box Panel	1	
11	68000378	210836910 - Electrical Box	1	
12	68000040	Transformer	1	
13	68000041	210901745 - Fan Motor Capacitor	1	
14	68000379	210836752 - Electrical Box Cover	1	
15	68000030	210901411P - Main PCB	1	
16	68000065	41214-000877 - Main PCB Supporter	1	
17	68000380	210738282 - Capacitor Strip	1	
18	68000001	210901831 - Compressor Capacitor	1	
19	68000006	210738336 - Centrifugal Fan	1	
20	68000381	210738267A - Foam Shell	1	

UCT12A10A

N.	Part Number	Description	Qty	
21	68000382	210836909A - Partition Plate	1	
22	68000400	211238084 - Compressor	1	
23	68000002	210901722 - Fan Motor	1	
24	68000401	211236902 - Discharge Pipe	1	
25	68000069	210738266A - Back Partition Plate	1	
26	68000070	210738337 - Propeller Fan	1	
27	68000568	Condenser	1	
28	68000071	210836745 - Cabinet	1	
29	68000072	210836793 - Grille	1	
30	68000048	210836767 - Intake And Outtake Grille	1	
31	68000386	210836781A - Base	1	
32	68000051	210738265 - Water Drainage Pan	1	
34	68000035	Power Supply Cord	1	
35	68000036	Remote Control	1	
36	68000054	210901730A - Display PCB	1	
37	68000232	Rt/ Ipt Sensor Pack 5K	1	