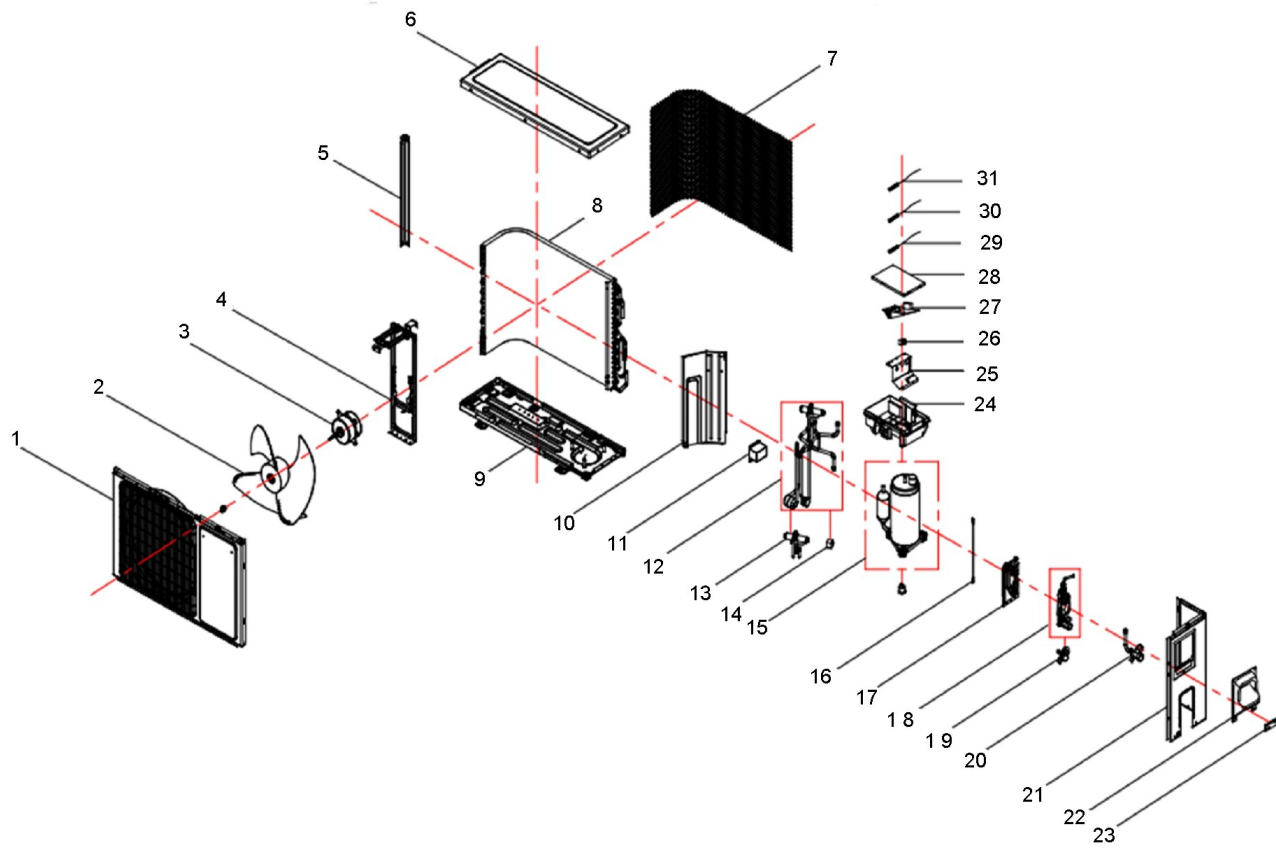


FPHSR09A3A




FPFSR09A3A

FPHSR09A3A

N.	Part Number	Description	Qty
1	67400747	Panel Parts	1
2	67400335	Outdoor Fan Blade	1
3	67400182	Outdoor Fan Motor	1
4	67400748	Motor Support	1
5	67400749	Mounting Plate	1
6	67400750	Upper Board	1
7	67400751	Back Guard	1
7	67400752	Left Guard	1
8	67401227	Condensor Coil	1
9	67400754	Base Holder Part	1
10	67401228	Clapboard	1
11	67400283	Reactor	1
12	67401229	Reversing Valve Assy	1
13	67400194	Reversing Valve	1
14	67400193	Reversing Valve Solenoid	1
15	67400759	Compressor	1
16	67400760	Compressor Connect Wire	1
17	67400761	Valve Seat	1
18	67400279	Cap Tube Assy	1
19	67400280	Two Way Valve	1

FPHSR09A3A

N.	Part Number	Description	Qty	
20	67400281	Three Way Valve	1	
21	67400762	Right Side Board	1	
22	67400763	Wiring Distribution Cover Assy	1	
23	67400202	Fixed Board	1	
24	67401230	Electric Box	1	
25	67400766	Connecting Board	1	
26	67400282	Wire Terminal Board	1	
27	67401231	Main PCB	1	
28	67400787	Electric Box Cover	1	
29	67400291	Discharge Temp Sensor	1	
30	67400289	Coil Temp Sensor	1	
31	67400210	Ambient Temp Sensor	1	