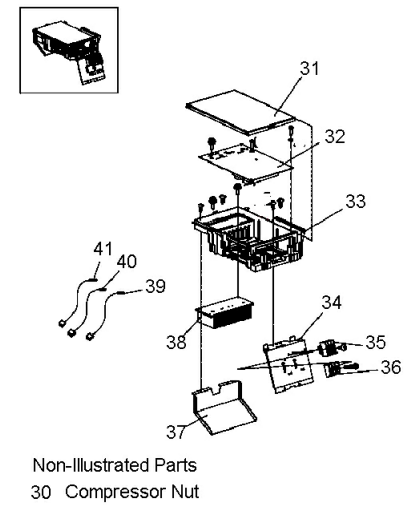
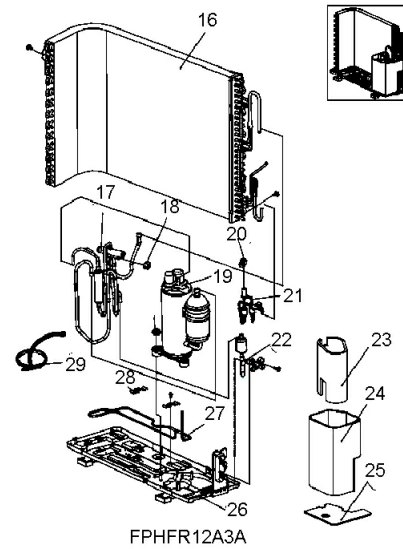
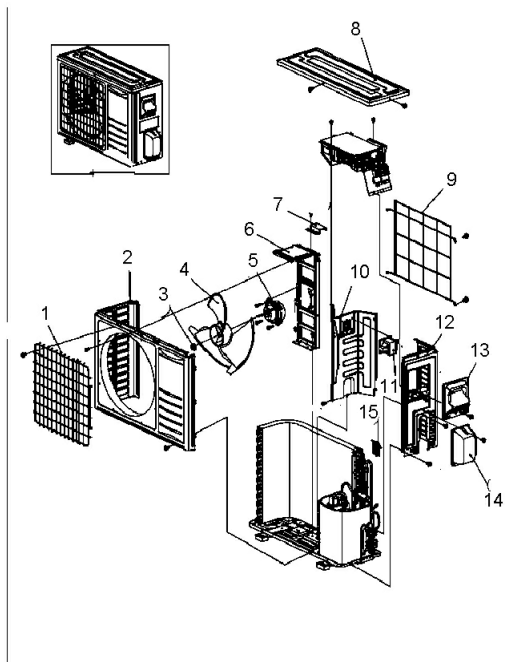




**FPHFR12A3A**


**FPHFR12A3A**

N.	Part Number	Description	Qty	
1	67401110	Fan Guard	1	
2	67401111	Panel	1	
3	67401112	Hex Nuts	1	
4	67400181	Outdoor Fan Blade	1	
5	67401113	Outdoor Fan Motor	1	
6	67401114	Motor Support	1	
7	67401017	Connecting Board	1	
8	67401116	Upper Board	1	
9	67401117	Back Guard	1	
10	67401118	Clapboard	1	
11	67400283	Reactor	1	
12	67401119	Right Side Board	1	
13	67401120	Wiring Distribution Cover	1	
14	67401121	Valve Cover	1	
15	67400211	Sensor Mounting Plate	1	
16	67401143	Condensor Coil	1	
17	67401144	Reversing Valve	1	
18	67400193	Reversing Valve Solenoid	1	
19	67401124	Compressor	1	
20	67400396	EEV Coil	1	

**FPHFR12A3A**

N.	Part Number	Description	Qty	
21	67401145	Electronic Expansion Valve	1	
22	67401127	Stop Valve	1	
23	67401128	Inner Noise-Insulation Cotton	1	
24	67401129	Outer Noise-Insulation Cotton	1	
25	67401130	Bottom Noise-Insulation Cotton	1	
26	67401131	Base Holder	1	
27	67401132	Electric Heater Tube	1	
28	67401133	Fixing Clip	1	
29	67401134	Electric Heating Belt	1	
30	67401135	Hex Nuts	1	
31	67401136	Electric Box Cover	1	
32	67401146	Main PCB	1	
33	67401138	Electric Box	1	
34	67401139	Terminal Connecting Board	1	
35	67401047	Power Terminal Panel	1	
36	67400365	Connect Terminal Panel	1	
37	67401140	Baffle	1	
38	67401141	Radiator	1	
39	67400208	Coil Temp Sensor	1	
40	67401142	Discharge Temp Sensor	1	

**FPHFR12A3A**

N.	Part Number	Description	Qty	
41	67400210	Ambient Temp Sensor	1	