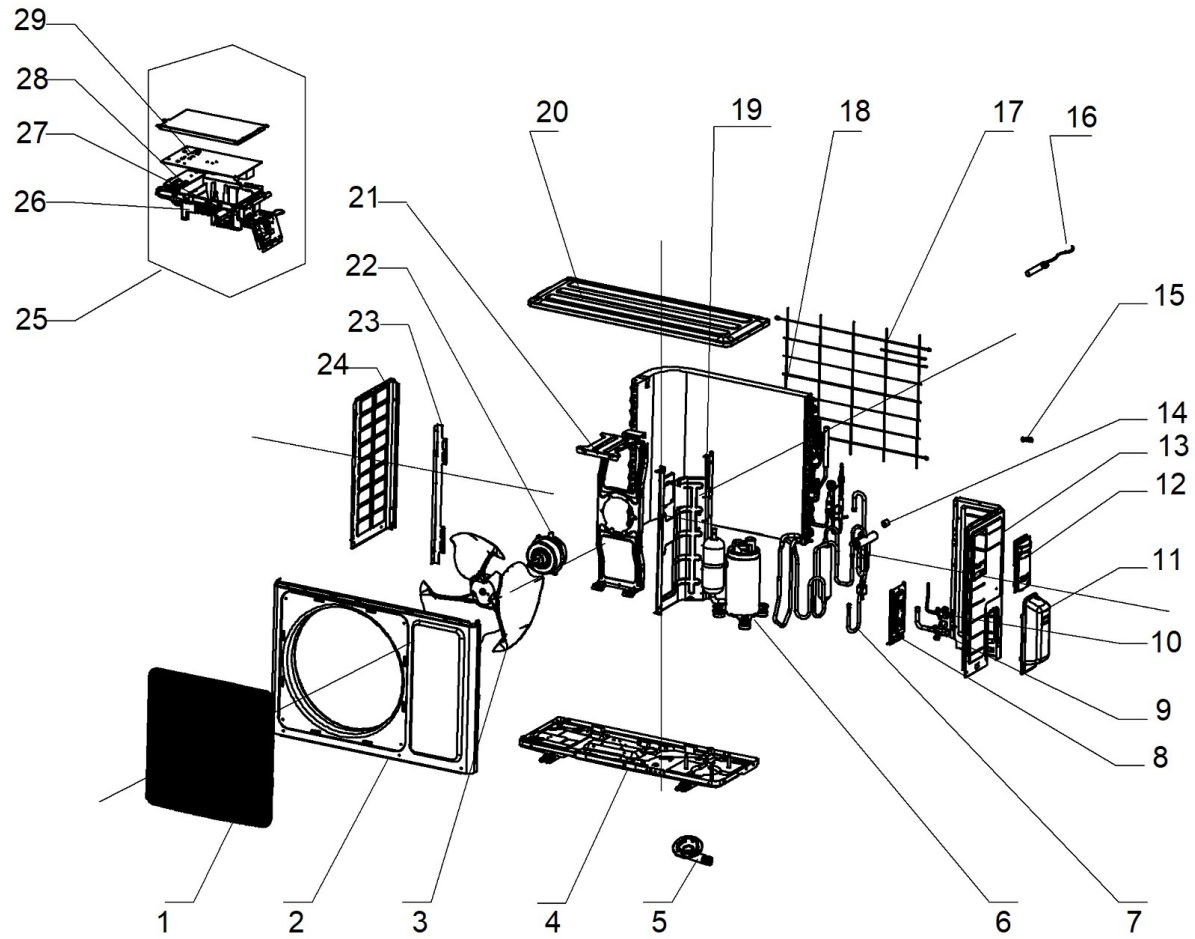



FSHSR18A3A



FSHR18A3A

N.	Part Number	Description	Qty
1	69700837	Front Grill	1
2	69700838	Front Panel Assy	1
3	69700249	Outdoor Fan Blade	1
4	69700840	Chassis Sub-Assy	1
5	69700164	Drainage Connector	1
6	69700842	Compressor	1
7	69700843	Reversing Valve Assy	1
8	69700242	Valve Support Assy	1
9	69700845	Shutoff Valve	1
10	69700846	Shutoff Valve	1
11	69700847	Valve Cover	1
12	69700848	Electrical Cover	1
13	69700849	Right Side Plate Assy	1
14	69700214	Reversing Valve Solenoid	1
15	69700186	Wiring Clamp	1
16	69700255	Temp Sensor Kit 20Kt/15Ks/50Kt	1
17	69700239	Rear Grill	1
18	69700854	Condenser Coil	1
19	69700855	Clapboard Assy	1
20	69700856	Coping Sub-Assy	1

FSHSR18A3A

N.	Part Number	Description	Qty	
21	69700857	Motor Support Sub-Assy	1	
22	69700858	Outdoor Fan Motor	1	
23	69700859	Condenser Support Plate	1	
24	69700235	Left Side Plate	1	
25	69700861	Electric Box Assy (PCB Included)	1	
26	69700862	Electric Box Assy	1	
27	69700803	Terminal Board	1	
28	69700864	Radiator	1	
29	69700865	Main PCB	1	