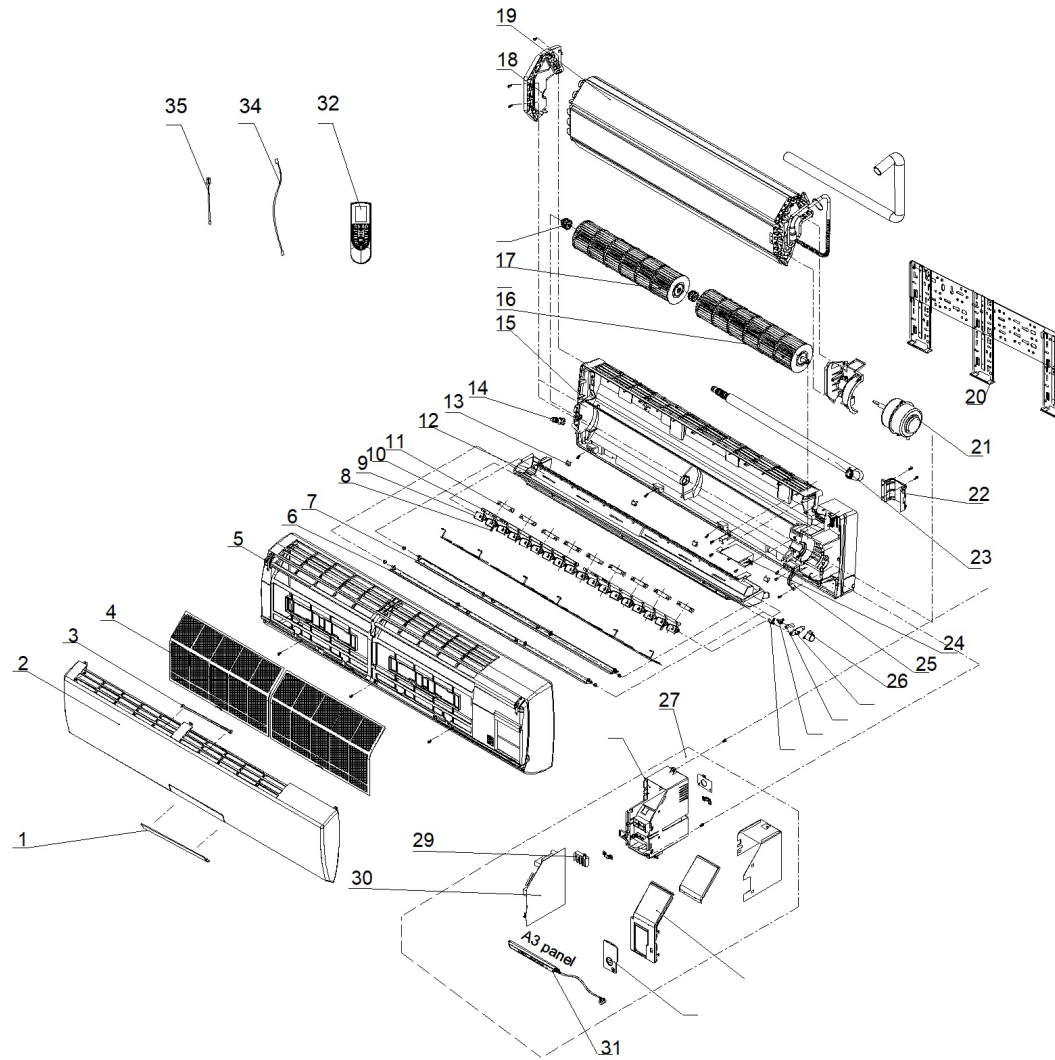




FSHSW36A3A



**FSHSW36A3A**

N.	Part Number	Description	Qty	
1	69700592	No Longer Available: Receiver Window	1	
2	69700593	Front Panel	1	
3	69700594	Stand Bar	1	
4	69700470	Air Filter	1	
5	69700596	Front Case Sub-Assy	1	
6	69700597	Upper Guide Louver	1	
7	69700598	Lower Guide Louver	1	
8	69700599	Air Louver	1	
9	69700600	Air Louver	1	
10	69700477	Connecting Rod	1	
11	69700478	Louver Clamp	1	
12	69700603	Water Tray	1	
13	69700604	Screw Cover	1	
14	69700481	Rubber Plug (Water Tray)	1	
15	69700606	Rear Case Sub- Assy	1	
16	69700483	Indoor Blower	1	
17	69700485	Indoor Blower	1	
18	69700487	Left Evaporator Support	1	
19	69700610	Evaporator Coil	1	
20	69700489	Wall Mounting Frame	1	

**FSHSW36A3A**

<b>N.</b>	<b>Part Number</b>	<b>Description</b>	<b>Qty</b>	
21	69700490	Indoor Fan Motor	1	
22	69700491	Pipe Clamp	1	
23	69700614	Drainage Hose	1	
24	69700615	Cover Plate	1	
25	69700494	Motorfixed Clip/ Motor Retainer	1	
26	69700617	Louver Motor	1	
27	69700618	Electric Box Assy (PCB Included)	1	
29	69700130	Terminal Board	1	
30	69700621	Main PCB	1	
31	69700622	Display PCB	1	
32	69700623	Remote Control	1	
34	69700510	Tube Sensor	1	
35	69700363	Ambient Temp Sensor	1	