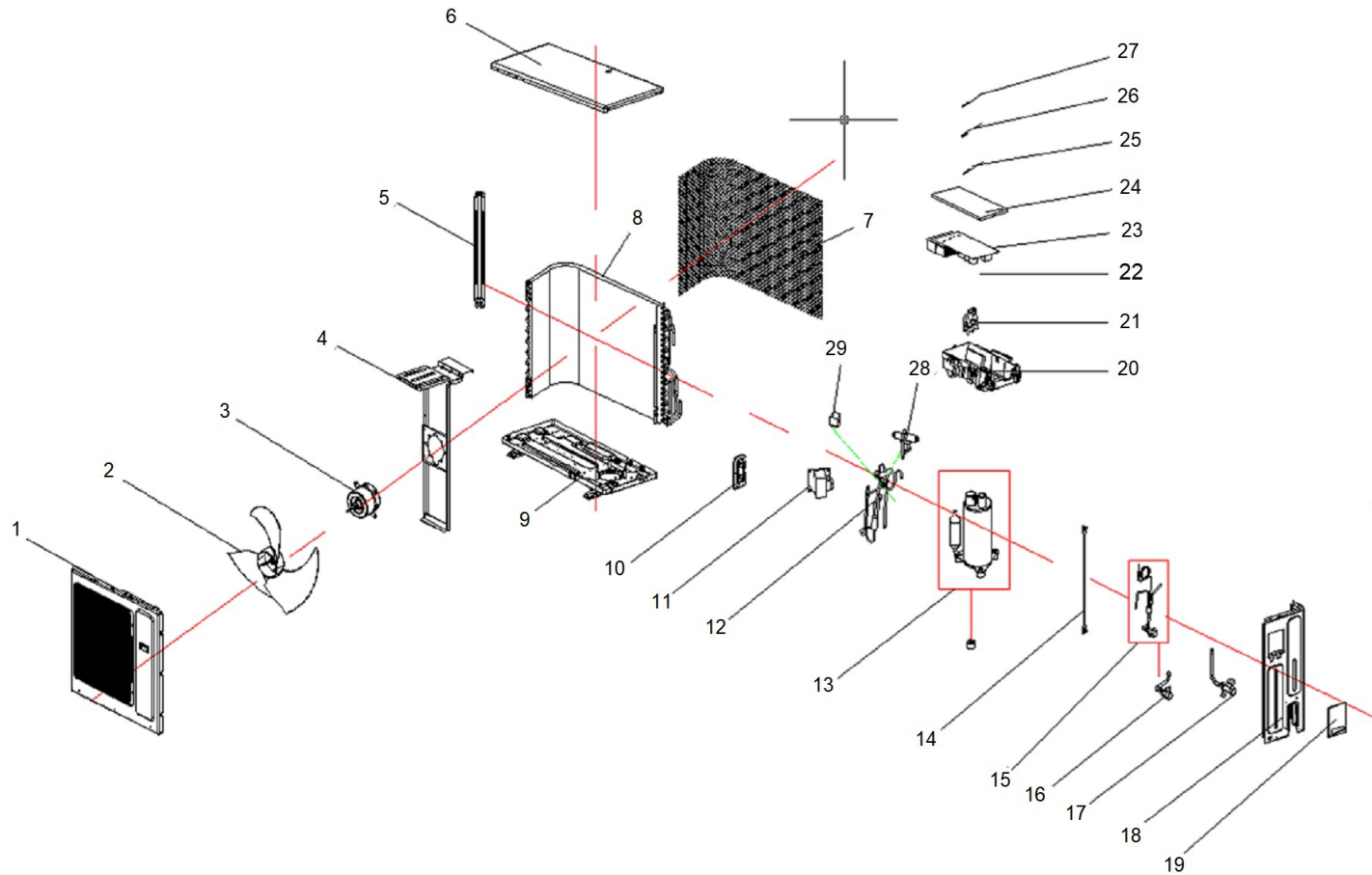



FPHSR36A3B




FPHSR36A3B

**FPHSR36A3B**

N.	Part Number	Description	Qty	
1	67400810	Panel Parts	1	
2	67400307	Outdoor Fan Blade	1	
3	67400308	Outdoor Fan Motor	1	
4	67400811	Motor Support	1	
6	67400813	Top Plate Part	1	
7	67400814	Back Guard	1	
8	67400815	Condensor Coil	1	
9	67400816	Base Holder Part	1	
10	67400817	Valve Seat	1	
11	67400268	Reactor	1	
12	67400739	Reversing Valve Assy	1	
13	67400740	Compressor	1	
14	67400196	Jumper Wire	1	
15	67401251	Air Filter	1	
16	67400310	Two Way Valve	1	
17	67400305	Three Way Valve	1	
18	67400742	Right Side Board Part	1	
19	67400743	Wiring Distribution Cover Assy	1	
20	67400744	Electric Box	1	
21	67400292	Connecting Board	1	

**FPHSR36A3B**

<b>N.</b>	<b>Part Number</b>	<b>Description</b>	<b>Qty</b>	
22	67401286	Main PCB	1	
23	67401252	Air Filter	1	
24	67400746	Electric Box Cover	1	
25	67400208	Coil Temp Sensor	1	
26	67400209	Discharge Temp Sensor	1	
27	67400288	Ambient Temp Sensor	1	
28	67400457	Reversing Valve No Coil	1	
29	67400193	Reversing Valve Solenoid	1	