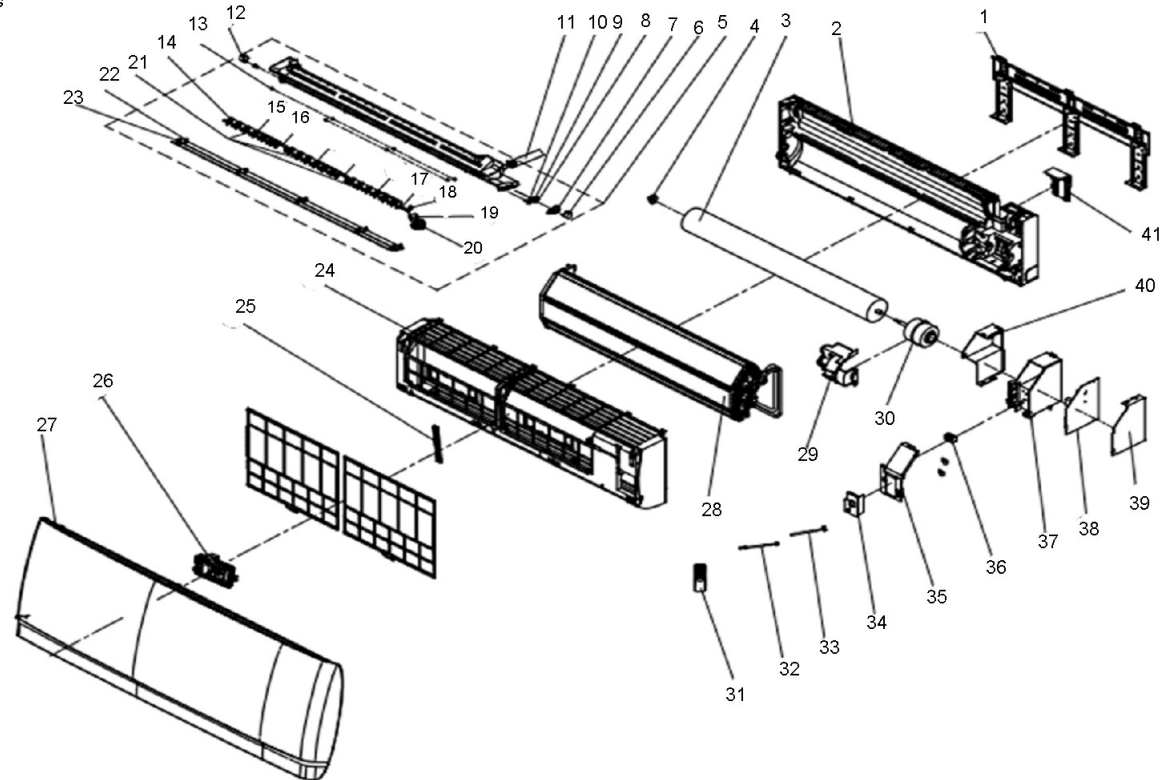



FPHSW36A3C

Non-Illustrated Items
 42 Filter Net
 43 Wi-Fi Module



FPHSW36A3C

N.	Part Number	Description	Qty	
1	67400613	Installation Plate Assy	1	
2	67400614	Base Holder Part	1	
3	67400318	Blower Wheel	1	
4	67400615	Bearing	1	
5	67400616	Air Outlet Parts	1	
6	67400617	Vane Motor Right	1	
7	67400618	Mounting Plate	1	
8	67400619	Axes	1	
9	67400620	Center Staff	1	
10	67400621	Axes	1	
11	67400172	Water Pipe Assy	1	
12	67400623	Vane Motor Left	1	
13	67400624	Vertical Level Vane	1	
14	67400173	Axis Sheath	1	
15	67400626	Vertical Level Vane	1	
16	67400627	Center Staff	1	
17	67400628	Center Staff	1	
18	67400629	Center Staff	1	
19	67400630	Louver Motor	1	
20	67400639	Motor Guard	1	

FPHSW36A3C

N.	Part Number	Description	Qty	
21	67400632	Center Staff	1	
22	67400633	Level Vane	1	
23	67400634	Level Vane	1	
24	67401200	Shell	1	
25	67400636	Mounting Plate	1	
26	67401201	Display PCB	1	
27	67400637	Panel	1	
28	67401287	Evaporator Coil	1	
29	67400631	Motor Guard	1	
30	67400320	Indoor Fan Motor	1	
31	67400161	Remote Control	1	
32	67400235	Coil Temp Sensor	1	
33	67400323	Ambient Temp Sensor	1	
34	67400640	Wiring Distribution Cover Assy	1	
35	67400641	Electric Box Cover	1	
36	67400166	Wire Terminal Board	1	
37	67400643	Electric Box	1	
38	67401288	Main PCB	1	
39	67400645	Elec Joint Box Plate	1	
40	67400644	Elec Joint Box Plate	1	

FPHSW36A3C

N.	Part Number	Description	Qty	
41	67400646	Baffle	1	
42	67400257	Air Filter	1	
43	67401169	Wifi Module	1	