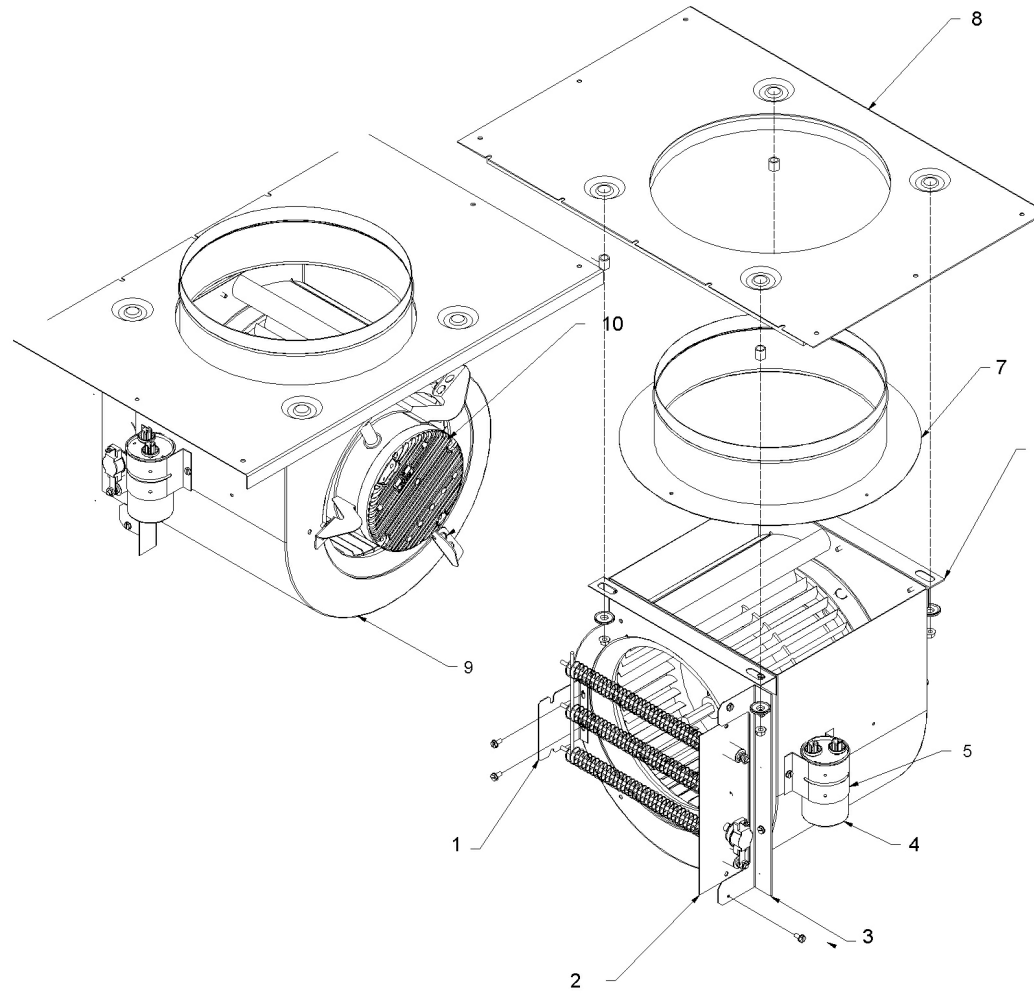


VHA18K25RTP-B 18k blower



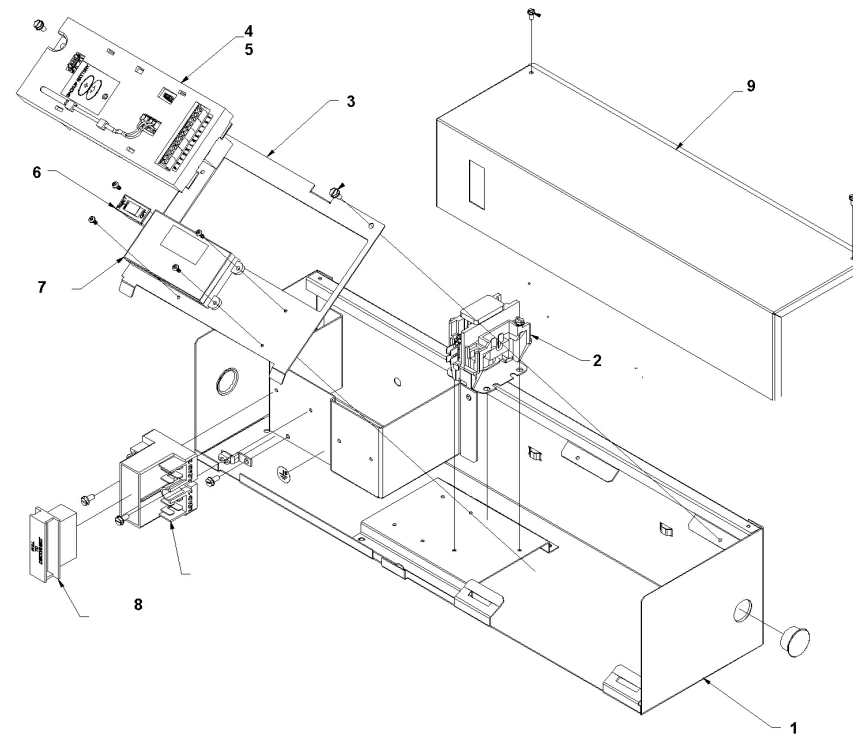
18k Blower

VHA18K25RTP-B 18k blower

N.	Part Number	Description	Qty
1	80113300	Heater Holding BRACKET VPAK 24	1
2	80102290	Heater VPAK-A24 Nxt 2.5Kw 230V	1
3	80102600	Heater BRACKET Items Are Non-Stocked, Will Normally Require 60-120 Days Lead Time	1
4	61080700	Capctr 35 Mf 370V 2.0	1
5	20709185	Clamp, Capacitor: Replaced By 60062720	1
6	80103600	Blower BRACKET	1
7	80001800	Collar 24 Ga.	1
8	80113200	Top Cover Insul Assy	1
9	80103200	Assy Blower Wheel And Scroll	1
10	80106973	Mtr 1/4 4 10P Cw 1 Bldc VPAK Lrg	1


VHA18K25RTP-B 18k control box 230v

- Non-Illustrated Items
10 Indoor Temp Sensor
11 Indoor Coil Temp Sensor
12 Outdoor Coil Temp Sensor



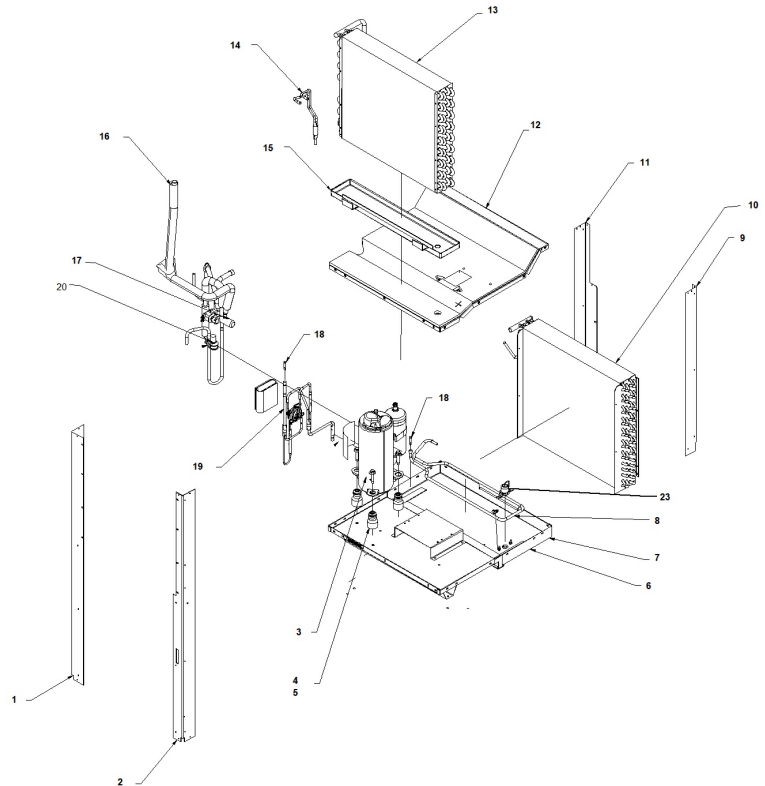
(18k 230v Control Box)

VHA18K25RTP-B 18k control box 230v

N.	Part Number	Description	Qty	
1	80118402	Assy C-Box Large 230-265V	1	
2	80118601	Contactor 240Vac Hcl-1Nu01Aac	1	
3	80116907	BRACket Elect Cntrl VPAK Large Circ-Breaker	1	
4	62601009	Kit E-Cntl Serv Cool Hp Vha	1	
6	61773324	Switch Circuit Brkr 20A 230V Citr220Q2Ns	1	
7	62600601	Display Service Vpac Kuhl	1	
8	80007600	Nonfused Disconnect	1	
9	80116606	Control Box Lid Prepntd	1	
10	62600203	Sensor Id R/A Temperature (White)	1	
11	62600205	Sensor Id Coil Temperature (Green)	1	
12	62600206	Sensor Od Coil Temperature (Blue)	1	

VHA18K25RTP-B refrigeration assy

Non-illustrated Parts
21 Cap Tube
22 Cap Tube



18k Refrigeration

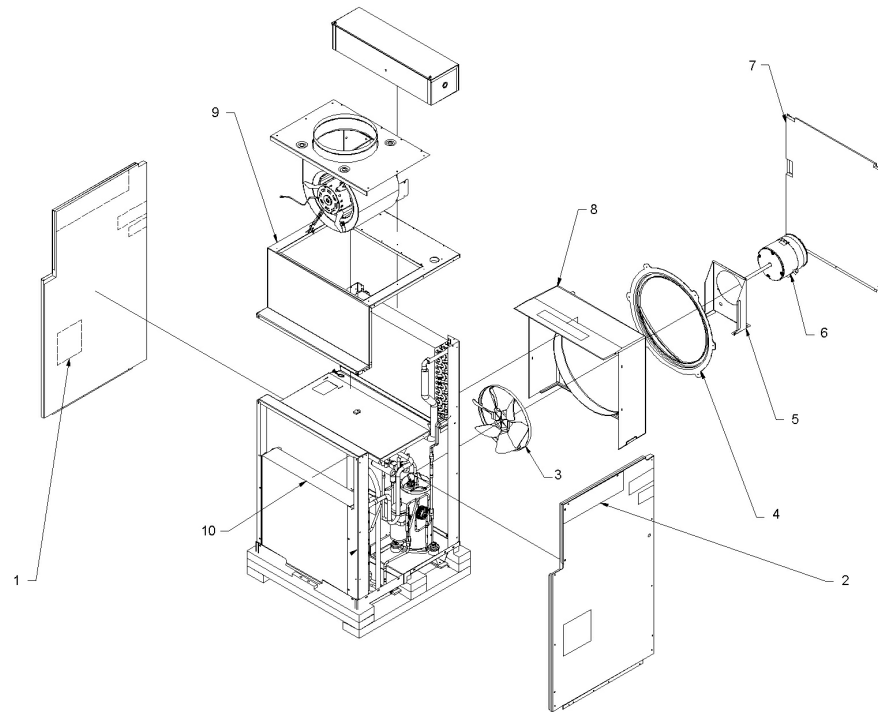
VHA18K25RTP-B refrigeration assy

N.	Part Number	Description	Qty
1	80101600	Upper Right Post	1
3	61717188	Kit Compr Replacmnt 62200317	1
4	91400402	Stud Comp Mtg	1
7	80115229	Basepan VPAK Large Caulked Dbl-Drain	1
8	80105603	Assy Sump Tube	1
9	80101300	Lower Left Post	1
10	80101261	Coil, Condensorcvs.312X4X14Rc2V45A20X19H	1
11	80101400	Lower Right Post	1
12	80106201	Assy Innerwall Insulation	1
13	62050004	Coil, Evaporator Les.375X4X14Rc2V45A20X14H6	1
14	80042958	Assy Tube Check Valve To Evap	1
15	80100301	Evap Drainpan, VPAK Large	1
16	25018705	Assy Reversing Valve	1
17	25063606	Coil Solenoid 208/230Vac Dunan W/Wires Dxq-1680	1
18	61834800	Strainer .312 Coil	1
19	80109309	Assy Tube Check Valve	1
20	80112504	High Pressure Switch	1
23	60179904	Condensate Drain Valve	1

VHA18K25RTP-B Unit Assembly


Non-Illustrated Parts

- 11 Connector -Fresh Air
- 12 Exhaust Door Channel
- 13 Exhaust Door Slide



18k Unit Assembly

VHA18K25RTP-B Unit Assembly

N.	Part Number	Description	Qty	
1	80106501	Assy Left Panel Insul Prepntd	1	
2	80106401	Assy Right Panel Insul Prepntd	1	
3	60542007	Fan Plastic 16" Lrg; VPAK	1	
4	80101011	Shroud Ring Water Trap	1	
5	61776905	Mtr Mount Large (144Mm)	1	
6	80102172	Mtr 1/4 10P Ccw Fan Blcd Nan-Feng	1	
7	80106601	Assy Rear Panel Insul Prepntd	1	
8	80114102	Shroud, VPAK Large For Ring	1	
9	80106702	Asy Top Panel Insul Prepntd	1	
10	80113900	Support VPAK 24	1	
11	61814801	Connector Fresh Air Lrg	1	