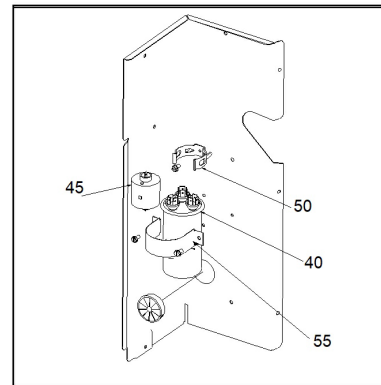
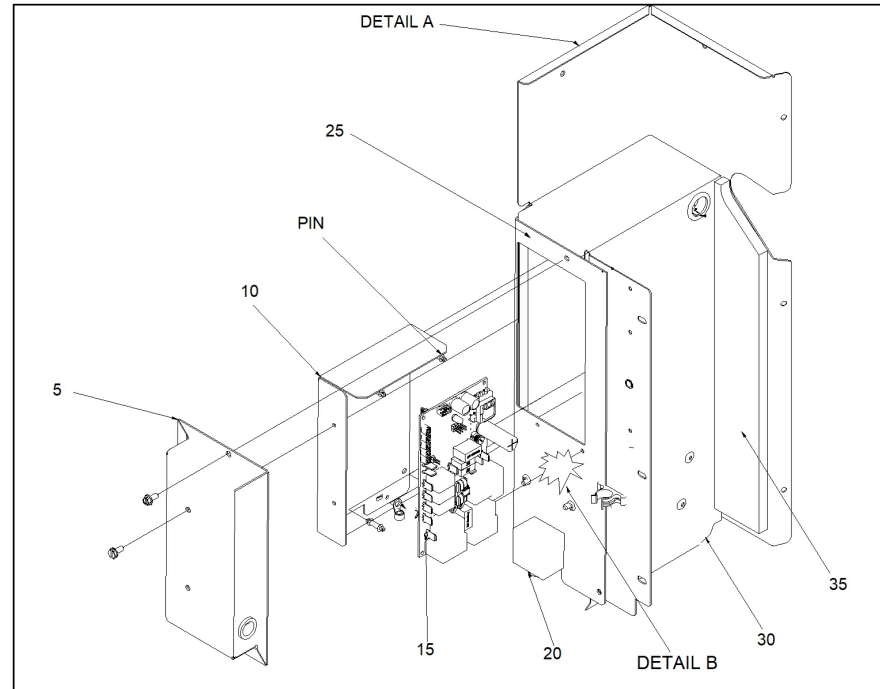


KCL24A30B Electrical components



Detail A

Non-illustrated part numbers
 65 FreshAir Connector
 70 Sensor Kit

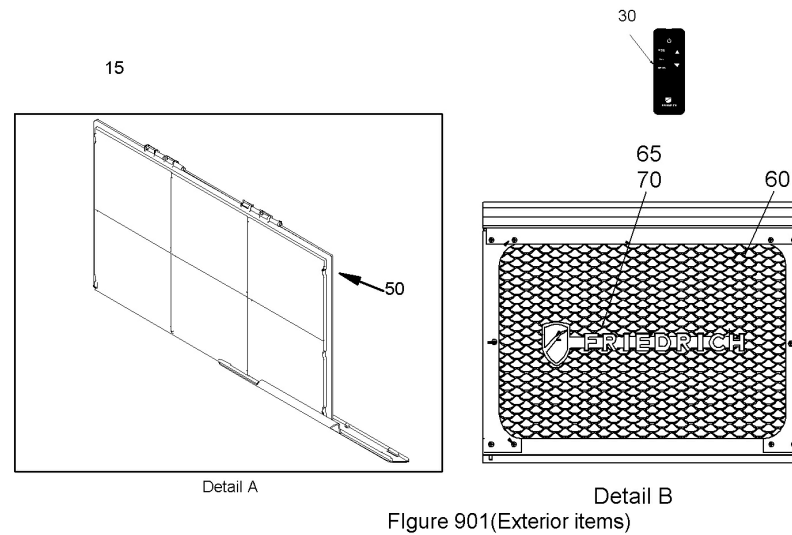
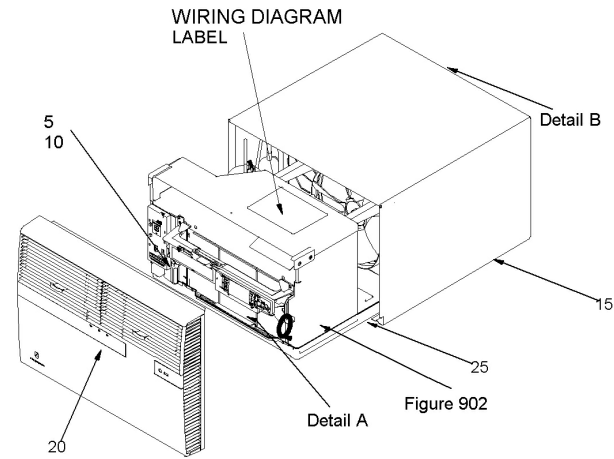
Figure 905 (Electrical Components)

KCL24A30B Electrical components


N.	Part Number	Description	Qty
5	61807263	Box, Panel Control	1
10	61807264	BRACke Mounting PCB	1
15	67000181	Electronic Control Board Kit, RAC Master Power/Relay Module Smps - 3Sp/Cool (Pn 62603074), Pin, Circuit Board 4 Ea (Pn 61600527)	1
20	60500398	Supply Cord 20A 250V 12Awg 90Deg EI	1
25	61807262	Panel Control Mounting Lrg 2019	1
30	61807010	Assy Partition Lrg	1
35	61937000	Panel L/S Lrg	1
40	61080588	Capctr 50/7.5 Mf 450V 2.5	1
55	61820703	Strap Capacitor 2.5 Haz	1
65	61814806	Connector Fresh Air Lrg	1
70	67000185	Sensor Kit Sensor Id Coil Temp (Yl) Gen3 (Pn 62600213) Sensor Od Coil Temp (Bl) Gen3 (Pn 62600214) Sensor Indr R/A Temp (Wt) Gen3 (Pn 62600215) Sensor Disch Temp (Bk) Gen3 (Pn 62600216)	1

KCL24A30B Exterior parts

Non-Illustrated Parts
 35 Chassis gasket seal
 40 chassis retainer
 45 shell guide
 55 Carbon Filter



KCL24A30B Exterior parts

N.	Part Number	Description	Qty	
5	62400134	Tool	1	
10	60301802	Clip,Tool	1	
15	61825731	Kit Outer Shell With Honeycomb, Lrg	1	
20	62400902	Assy Kit Deco Front Svc, Lrg	1	
25	61808417	Sill Plate Painted, Lrg	1	
30	62602100	RAC Gen Iv - Remote Control Unit- - Xyx-0601	1	
35	61717302	Gasket Chassis Seal (Uv Res S/M/L)	1	
40	61826400	Retainer Chassis	1	
45	61819601	Shell Guide S/M/L	1	
50	62400321	Assy Standard Filter, Lrg	1	
55	62400312	Assy Filter Carbon, Large	1	
60	61818522	Expanded Metal Grille Painted, Lrg	1	
65	60169120	Script Friedrich 2010 "Festoon"	1	
70	91002900	Speednut Push Type	1	

KCL24A30B Interface and panels

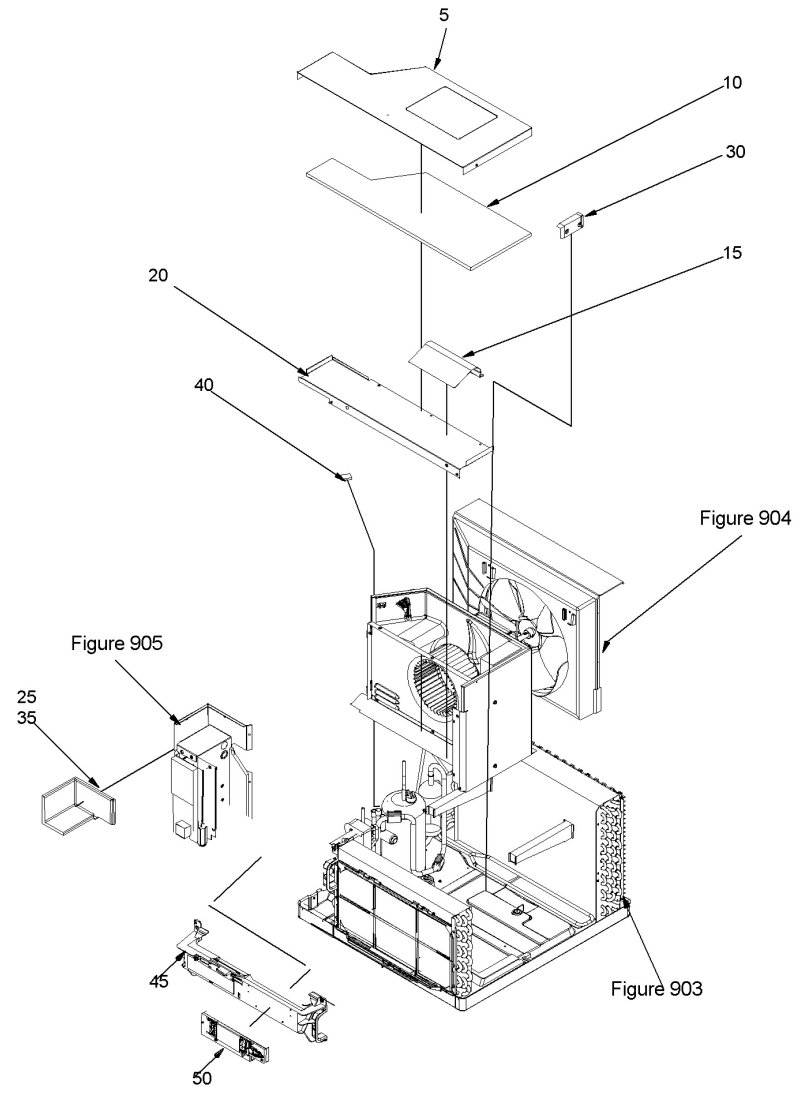



Figure 902 (Interface and Panels)

KCL24A30B Interface and panels

N.	Part Number	Description	Qty	
5	61906600	Cover Top, Lrg	1	
10	61818201	Insul, Top Cover ,Lrg	1	
15	61820201	Airfoil, Lrg	1	
20	61818000	Deck, Lrg	1	
25	61817600	Insul L/S Panel, Lrg	1	
30	61912107	Chock Block 2012 Sm/Med/Lrg	1	
35	61818300	Insul L/S Air Deck, Lrg	1	
40	60350107	Gasket Foam Plstc	1	
45	62400318	Assy Ui Holdermount, Lrg	1	
50	67000186	User Interface Kit Includes Front Panel Assy (Pn 62602040-Replaces 62601020), Screws (Pn 90601123), And U/I Cable (Pn 62603091)	1	

PARTS CATALOG

Condenser coil (5) and evaporator coil (10) may vary by model sub-revision verify the entire model number as shown on nameplate before ordering the part.

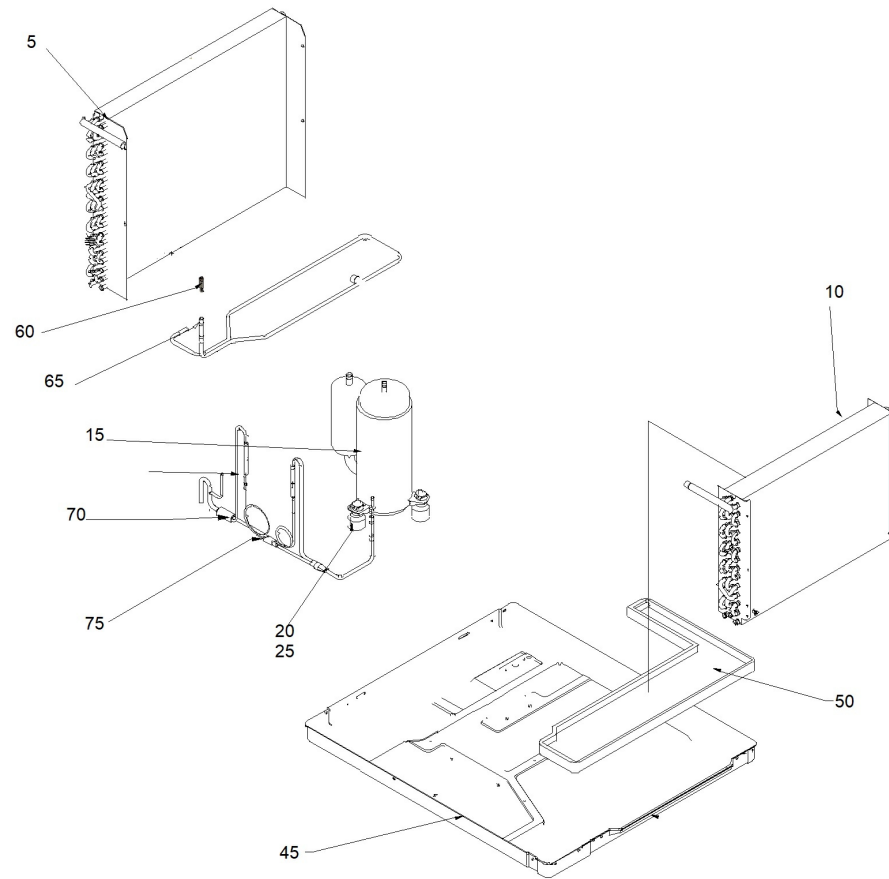


Figure 903 (Refrigeration)

KCL24A30B Refrigeration

N.	Part Number	Description	Qty
5	61850043	Condenser Coil Lcs.312X3X16Rc2N45A23X19H3	1
10	61850044	Evaporator Coil Les.375X3X18Xc1V45A19X14H5	1
15	61718148	Kit Compr Rplmnt 62200145	1
20	91400403	Stud Comp Mtg	1
25	61028905	Grommet Comp 3/8" X 60.5Mm RAC	1
45	61809522	Assy Bspan Lrg "W" Bolt Ngt	1
50	61807400	Drainpan Lrg	1
60	61834800	Strainer .312 Coil	1
65	61835001	Strainer Holder	1
75	67000187	Cap Tube Assy Kit (Includes Cap Tube (03760479), Strainer, And Strainer Holder"	1

KCL24A30B Blower Module

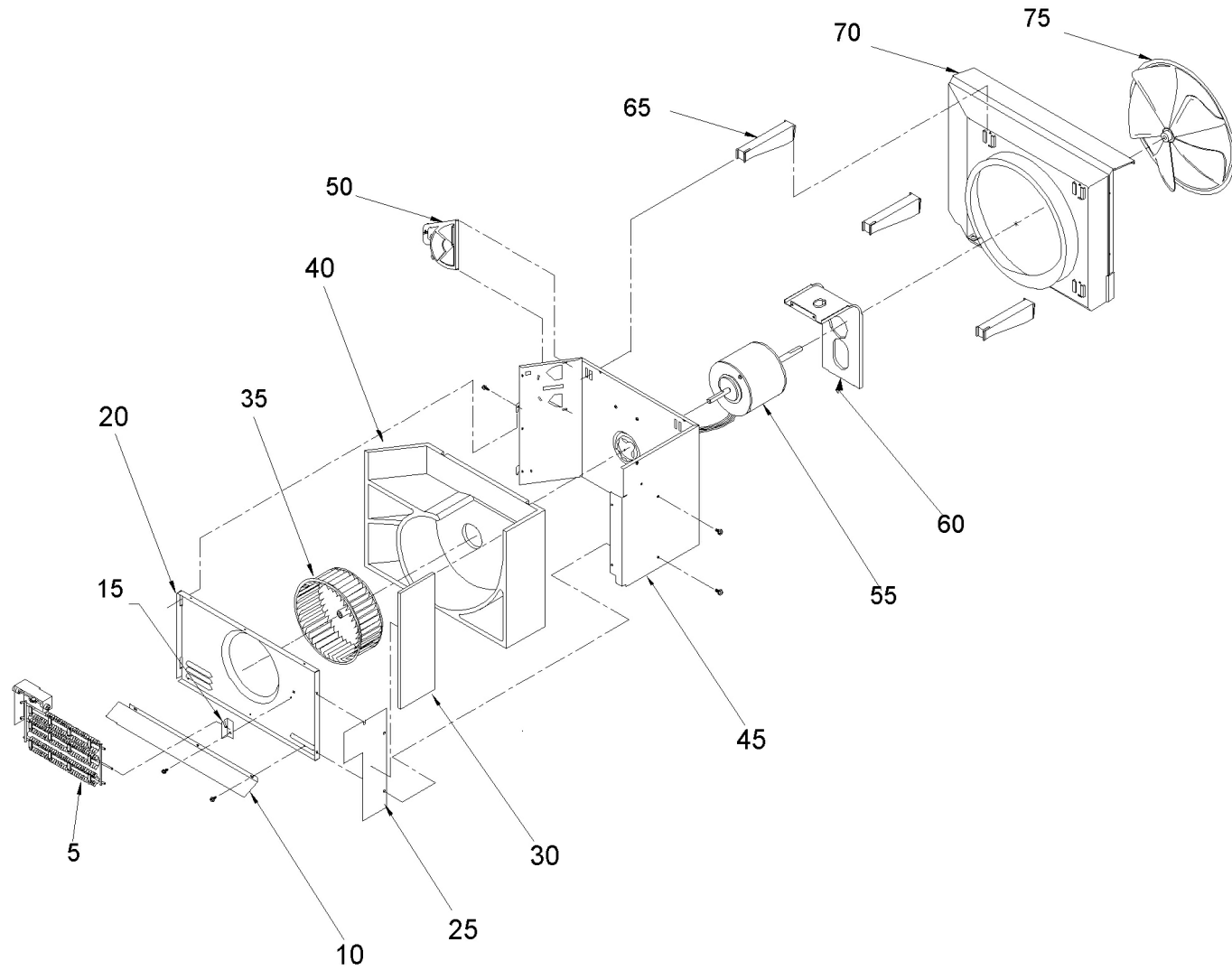



Figure 904 (Blower Module)

KCL24A30B Blower Module

N.	Part Number	Description	Qty	
20	61817800	Blower Front, Lrg	1	
30	61816902	Insul Innerwall, Lrg	1	
35	60610620	Wheel Blower 9.00X4.50 Ccw	1	
40	61818100	Scroll, Lrg.	1	
45	61907111	Assy Innerwall, Lrg 2 Brce	1	
50	61821500	Assy Door/Slide, Sml/Med/Lrg	1	
55	61871400	Mtr 1/3 4 6P Ccw 2 Psc 7.5 RAC Increased Stack	1	
60	61806700	Motor Mount, Lrg	1	
65	61810000	BRACe Shroud, Large	1	
70	61807702	Shroud Lrg W/Fd Restraint	1	
75	60542001	Fan Plastic 16" Lrg	1	