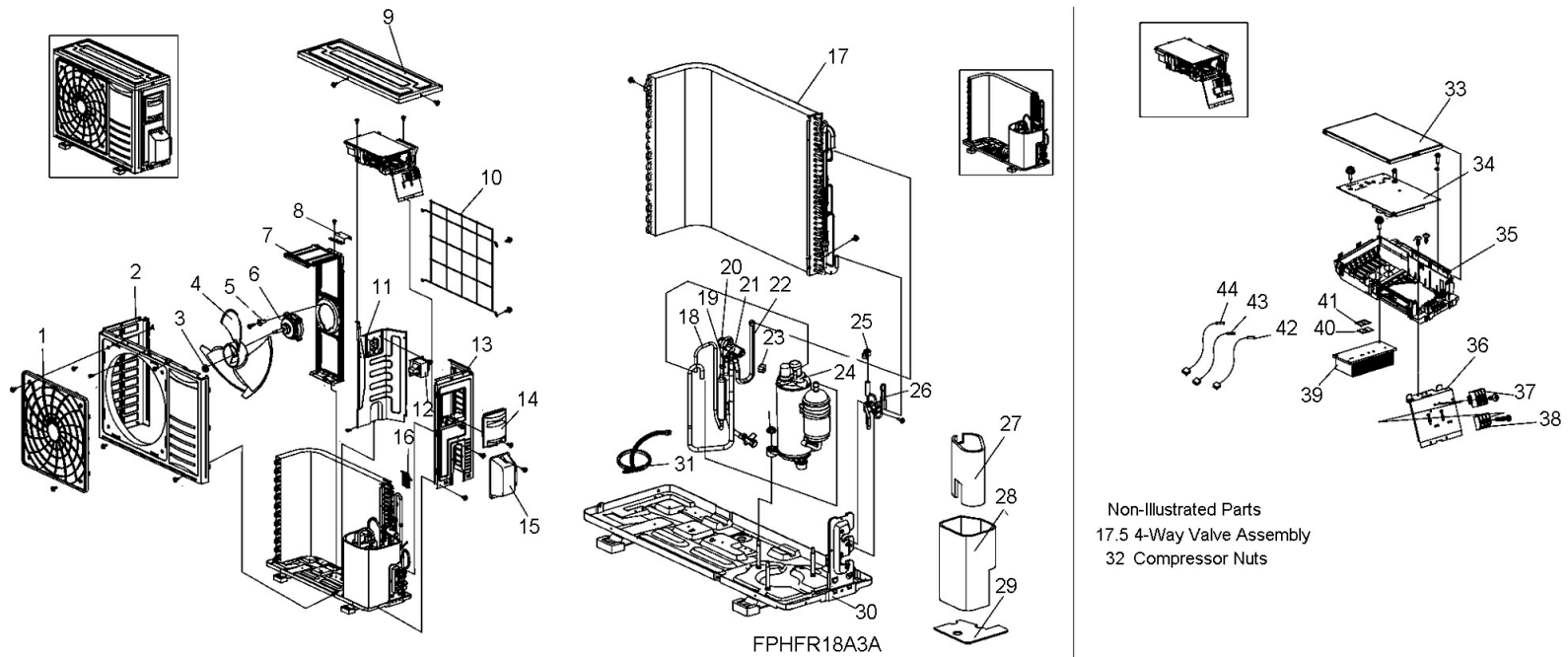



FPHFR18A3A



FPHFR18A3A

N.	Part Number	Description	Qty	
1	67401011	Fan Guard	1	
2	67401012	Panel	1	
3	67401013	Hex Nuts	1	
4	67401014	Outdoor Fan Blade	1	
5	67401015	Axis Sheath	1	
6	67400296	Outdoor Fan Motor	1	
7	67401016	Motor Support	1	
8	67401017	Connecting Board	1	
9	67401147	Upper Board	1	
10	67401019	Back Guard	1	
11	67401148	Clapboard	1	
12	67400268	Reactor	1	
13	67401149	Right Side Board	1	
14	67401120	Wiring Distribution Cover	1	
15	67401121	Valve Cover	1	
16	67400211	Sensor Mounting Plate	1	
17	67401150	Condensor Coil	1	
17.5	67401165	Reversing Valve Assy	1	
18	67401151	D Tube Assembly	1	
19	67401152	Reversing Valve	1	

FPHFR18A3A

N.	Part Number	Description	Qty	
20	67400457	Reversing Valve No Coil	1	
21	67401153	S Tube Assembly	1	
22	67401154	C Tube	1	
23	67400193	Reversing Valve Solenoid	1	
24	67401166	Compressor	1	
25	67400396	EEV Coil	1	
26	67401155	Electronic Expansion Valve	1	
27	67401156	Noise-Insulation Cotton	1	
28	67401157	Noise-Insulation Cotton	1	
29	67401158	Noise-Insulation Cotton	1	
30	67401159	Base Holder	1	
31	67401160	Electric Heating Belt	1	
32	67401135	Hex Nuts	1	
33	67401161	Electric Box Cover	1	
34	67401162	Main PCB	1	
35	67401163	Electric Box	1	
36	67401017	Connecting Board	1	
37	67401047	Power Terminal Panel	1	
38	67400365	Connect Terminal Panel	1	
39	67401164	Radiator	1	

FPHFR18A3A

N.	Part Number	Description	Qty	
40	67401042	Insulative Spacer Block	1	
41	67401041	Mounting Plate	1	
42	67400208	Coil Temp Sensor	1	
43	67401142	Discharge Temp Sensor	1	
44	67400210	Ambient Temp Sensor	1	