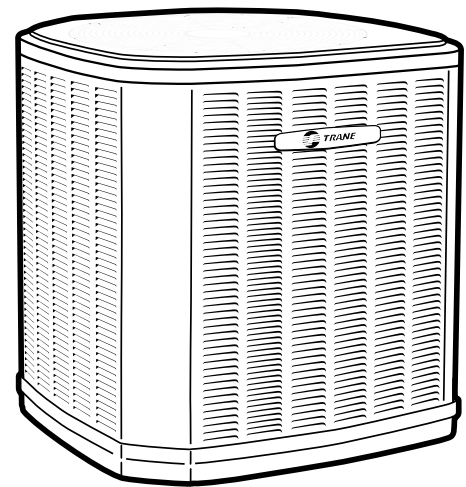




# Product Data

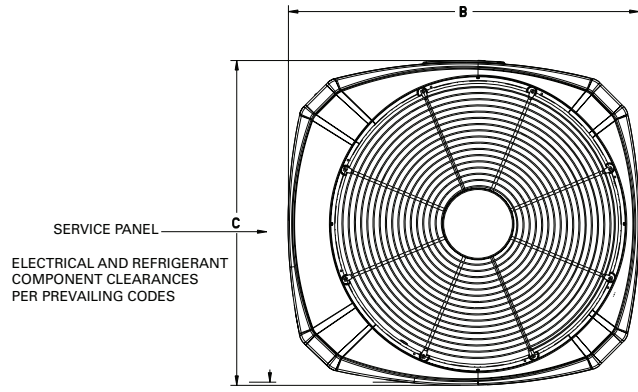
## Split System Cooling

- 4TTR3018H1000N
- 4TTR3024H1000N
- 4TTR3030H1000N
- 4TTR3036H1000N
- 4TTR3042E1000N
- 4TTR3043A1000N
- 4TTR3048E1000P
- 4TTR3048E1000N
- 4TTR3049A1000N
- 4TTR3060E1000N





# Outline Drawing



TOP DISCHARGE AREA SHOULD BE UNRESTRICTED FOR AT LEAST 1524 (5 FEET) ABOVE UNIT. UNIT SHOULD BE PLACED SO ROOF RUN-OFF WATER DOES NOT POUR DIRECTLY ON UNIT AND SHOULD BE AT LEAST 305 (12") FROM WALL AND ALL SURROUNDING SHRUBBERY ON TWO SIDES. OTHER TWO SIDES UNRESTRICTED

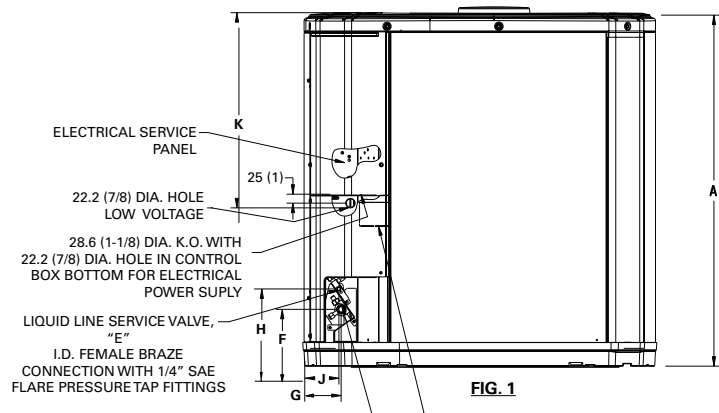


FIG. 1

From Dwg. D152898

K.O. FOR ALTERNATE ELECTRICAL ROUTING  
GAS LINE 1/4TURN BALL SERVICE VALVE, "D"  
I.D. FEMALE BRAZED CONNECTION WITH 1/4" SAE FLARE PRESSURE TAP FITTING.A

Model	Base	A	B	C	D	E	F	G	H	J	K
4TTR3018H	2	730 (28-3/4)	724 (28-1/2)	651 (25-5/8)	3/4	3/8	127 (5)	57 (2-1/4)	194 (7-5/8)	38 (1-1/2)	457 (18)
4TTR3024H	2	730 (28-3/4)	724 (28-1/2)	651 (25-5/8)	3/4	3/8	137 (5-3/8)	65 (2-5/8)	210 (8-1/4)	57 (2-1/4)	457 (18)
4TTR3030H	2	730 (28-3/4)	724 (28-1/2)	651 (25-5/8)	3/4	3/8	137 (5-3/8)	65 (2-5/8)	210 (8-1/4)	57 (2-1/4)	457 (18)
4TTR3036H	3	730 (28-3/4)	829 (32-5/8)	756 (29-3/4)	3/4	3/8	137 (5-3/8)	79 (3-1/8)	197 (7-3/4)	60 (2-3/8)	508 (20)
4TTR3042E	3	730 (28-3/4)	829 (32-5/8)	756 (29-3/4)	7/8	3/8	152 (6)	98 (3-7/8)	219 (8-5/8)	86 (3-3/8)	508 (20)
4TTR3043A	4.2	741 (29-1/8)	946 (37-1/4)	870 (34-1/4)	7/8	3/8	152 (6)	98 (3-7/8)	219 (8-5/8)	86 (3-3/8)	508 (20)
4TTR3048E	3	933 (36-3/4)	829 (32-5/8)	756 (29-3/4)	7/8	3/8	152 (6)	98 (3-7/8)	219 (8-5/8)	86 (3-3/8)	508 (20)
4TTR3049A	4.2	741 (29-1/8)	946 (37-1/4)	870 (34-1/4)	7/8	3/8	152 (6)	98 (3-7/8)	219 (8-5/8)	86 (3-3/8)	508 (20)
4TTR3060E	4.4	943 (37-1/8)	946 (37-1/4)	870 (34-1/4)	7/8	3/8	152 (6)	98 (3-7/8)	219 (8-5/8)	86 (3-3/8)	508 (20)



# Product Specifications

Model No. <sup>(a)</sup>	4TTR3018H1000N	4TTR3024H1000N	4TTR3030H1000N
POWER CONNS. — V/PH/HZ <sup>(b)</sup>	208/230/1/60	208/230/1/60	208/230/1/60
MIN. BRCH. CIR. AMPACITY	12	18	16
BR. CIR. PROT. RTG. — MAX. (AMPS)	20	30	25
COMPRESSOR	CLIMATUFF®- SCROLL	CLIMATUFF®- SCROLL	CLIMATUFF®- SCROLL
RL AMPS — LR AMPS	9 — 48	12.8 — 58.3	12.3 — 63
Outdoor Fan FL AMPS	0.64	0.64	0.9
Fan HP	1/8	1/8	1/8
Fan Dia (inches)	23.0	23.0	18.9
Coil	SPINE FIN™	SPINE FIN™	SPINE FIN™
Refrigerant R-410A	5 LBS., 11 OZ	5 LBS., 9 OZ	4 LBS., 2 OZ
LINE SIZE — IN. O.D. GAS <sup>(c)</sup>	3/4	3/4	3/4
LINE SIZE — IN. O.D. LIQ. <sup>(c)</sup>	3/8	3/8	3/8
Charge Spec. Subcooling	10°F	10°F	10°F
Dimensions H x W X D Crated (IN.)	34 x 30.1 x 33	34 x 30.1 x 33	30 x 27 x 30
Weight — Shipping (lbs.)	167	169	157
Weight — Net (lbs.)	140	142	137
<b>Optional Accessories:</b>			
Anti-short Cycle Timer	TAYASCT501A	TAYASCT501A	TAYASCT501A
Evaporator Defrost Control	AY28X079	AY28X079	AY28X079
Rubber Isolator Kit	BAYISLT101	BAYISLT101	BAYISLT101
Extreme Condition Mount Kit	BAYECMT023	BAYECMT023	BAYECMT023
Start Kit	BAYKSKT263	BAYKSKT263	BAYKSKT263
Crankcase Heater Kit	BAYCCHT302	BAYCCHT302	BAYCCHT302
Seacoast Kit	BAYSEAC001	BAYSEAC001	BAYSEAC001
Low Ambient Kit	BAYLOAM103	BAYLOAM103	BAYLOAM103
Refrigerant Lineset <sup>(d)</sup>	TAYREFLN950	TAYREFLN950	TAYREFLN7*
Service Valve Panel Cover	-	-	-

<sup>(a)</sup> Certified in accordance with the Unitary Air-conditioner equipment certification program which is based on AHRI standard 210/240.

<sup>(b)</sup> Calculated in accordance with N.E.C. Only use HACR circuit breakers or fuses.

<sup>(c)</sup> Standard line lengths — 60', Standard lift — 60' Suction and Liquid line. For Greater lengths and lifts refer to refrigerant piping software Pub#32-3312-0\* (\* denotes latest revision).

<sup>(d)</sup> \* = 15, 20, 25, 30, 40 and 50 foot lineset available.



## Product Specifications

<b>Model No.</b> <sup>(a)</sup>	4TTR3036H1000N	4TTR3042E1000N	4TTR3043A1000N
POWER CONNS. — V/PH/HZ <sup>(b)</sup>	208/230/1/60	208/230/1/60	208/230/1/60
MIN. BRCH. CIR. AMPACITY	18	22	22
BR. CIR. PROT. RTG. — MAX. (AMPS)	30	35	35
COMPRESSOR	CLIMATAUFF®- SCROLL	CLIMATUFF®- SCROLL	CLIMATUFF®- SCROLL
RL AMPS — LR AMPS	14.1— 75	17.0 — 124	16.7 — 109
Outdoor Fan FL AMPS	0.7	0.7	1.05
Fan HP	1/8	1/8	1/5
Fan Dia (inches)	23.0	23	27.5
Coil	SPINE FIN™	SPINE FIN™	SPINE FIN™
Refrigerant R-410A	4 LBS., 2 OZ	5 LBS., 2 OZ	6 LBS., 7 OZ
LINE SIZE — IN. O.D. GAS <sup>(c)</sup>	3/4	7/8	7/8
LINE SIZE — IN. O.D. LIQ. <sup>(c)</sup>	3/8	3/8	3/8
Charge Spec. Subcooling	10°F	10°F	12°F
Dimensions H x W X D Crated (IN.)	34 x 30.1 x 33	34 x 30.1 x 33	34.4 x 35.1 x 38.7
Weight — Shipping (lbs.)	175	200	216
Weight — Net (lbs.)	147	172	184
<b>Optional Accessories:</b>			
Anti-short Cycle Timer	TAYASCT501A	TAYASCT501A	TAYASCT501A
Evaporator Defrost Control	AY28X079	AY28X079	AY28X079
Rubber Isolator Kit	BAYISLT101	BAYISLT101	BAYISLT101
Extreme Condition Mount Kit	BAYECMT023	BAYECMT004	BAYECMT004
Start Kit	BAYKSKT263	BAYKSKT263	BAYKSKT263
Crankcase Heater Kit	BAYCCHT302	BAYCCHT301	BAYCCHT301
Seacoast Kit	BAYSEAC001	BAYSEAC001	BAYSEAC001
Low Ambient Kit	BAYLOAM103	BAYLOAM103	BAYLOAM103
Refrigerant Lineset <sup>(d)</sup>	TAYREFLN7*	TAYREFLN7*	TAYREFLN3*
Service Valve Panel Cover	TAYSVPANL0032AA	TAYSVPANL0032AA	TAYSVPANL3343AA

(a) Certified in accordance with the Unitary Air-conditioner equipment certification program which is based on AHRI standard 210/240.

(b) Calculated in accordance with N.E.C. Only use HACR circuit breakers or fuses.

(c) Standard line lengths — 60', Standard lift — 60' Suction and Liquid line. For Greater lengths and lifts refer to refrigerant piping software Pub#32-3312-0\* (\* denotes latest revision).

(d) \* = 15, 20, 25, 30, 40 and 50 foot lineset available.

## Product Specifications

<b>Model No.</b> <sup>(a)</sup>	4TTR3048E1000N/P	4TTR3049A1000N	4TTR3060E1000N
POWER CONNS. — V/PH/HZ <sup>(b)</sup>	208/230/1/60	208/230/1/60	208/230/1/60
MIN. BRCH. CIR. AMPACITY	28	28	27
BR. CIR. PROT. RTG. — MAX. (AMPS)	45	45	45
COMPRESSOR	CLIMATUFF®- SCROLL	CLIMATUFF®- SCROLL	CLIMATUFF®- SCROLL
RL AMPS — LR AMPS	21.8 — 117	21.8 — 117	20.8 — 127.1
Outdoor Fan FL AMPS	0.93	1.05	1.05
Fan HP	1/5	1/5	1/5
Fan Dia (inches)	23	23	27.5
Coil	SPINE FIN™	SPINE FIN™	SPINE FIN™
Refrigerant R-410A	6 LBS., 7 OZ	6 LBS., 7 OZ	7 LBS., 10 OZ
LINE SIZE — IN. O.D. GAS <sup>(c)</sup>	7/8	7/8	7/8
LINE SIZE — IN. O.D. LIQ. <sup>(c)</sup>	3/8	3/8	3/8
Charge Spec. Subcooling	10°F	10°F	10°F
Dimensions H x W X D Crated (IN.)	42 x 30.1 x 33	42 x 30.1 x 33	42.4 x 35.1 x 38.7
Weight — Shipping (lbs.)	233	212	246
Weight — Net (lbs.)	197	189	211
<b>Optional Accessories:</b>			
Anti-short Cycle Timer	TAYASCT501A	TAYASCT501A	TAYASCT501A
Evaporator Defrost Control	AY28X079	AY28X079	AY28X079
Rubber Isolator Kit	BAYISLT101	BAYISLT101	BAYISLT101
Extreme Condition Mount Kit	BAYECMT004	BAYECMT004	BAYECMT004
Start Kit	BAYKSKT263	BAYKSKT263	BAYKSKT263
Crankcase Heater Kit	BAYCCHT301	BAYCCHT301	BAYCCHT301
Seacoast Kit	BAYSEAC001	BAYSEAC001	BAYSEAC001
Low Ambient Kit	BAYLOAM103	BAYLOAM103	BAYLOAM103
Refrigerant Lineset <sup>(d)</sup>	TAYREFLN3*	TAYREFLN3*	TAYREFLN3*
Service Valve Panel Cover	TAYSVPANL0044AA	TAYSVPANL0044AA	TAYSVPANL0044AA

(a) Certified in accordance with the Unitary Air-conditioner equipment certification program which is based on AHRI standard 210/240.

(b) Calculated in accordance with N.E.C. Only use HACR circuit breakers or fuses.

(c) Standard line lengths — 60', Standard lift — 60' Suction and Liquid line. For Greater lengths and lifts refer to refrigerant piping software Pub#32-3312-0\* (\* denotes latest revision).

(d) \* = 15, 20, 25, 30, 40 and 50 foot lineset available.

Sound Power Level									
MODEL	A-Weighted Sound Power Level [dB(A)]	Full Octave Sound Power (dB)							
		63 Hz*	125 Hz	250 Hz	500 Hz	1000 Hz	2000 Hz	4000 Hz	8000 Hz
4TTR3018H1	72	73.7	71.4	65.4	68	67.3	62.9	56	50.3
4TTR3024H1	74	47.9	60.5	64.1	71.2	71.2	69.0	58.2	51.5
4TTR3030H1	72	69.9	69.6	69.1	68.6	68.7	60.9	56.2	48.9
4TTR3036H1	68	74.7	65.0	65.2	66.4	63.6	58.7	56.3	52.8
4TTR3042E1	72	77.6	68.3	67.4	65.6	67.4	58.2	54.1	47.6
4TTR3043A1	72	77.6	68.3	67.4	65.6	67.4	58.2	54.1	47.6
4TTR3048E1	74	72.5	72.3	69.2	67.5	72.3	60.2	55.2	54.2
4TTR3049A1	74	72.5	72.3	69.2	67.5	72.3	60.2	55.2	54.2
4TTR3060E1	71	81	72	69	69	66	60	57	54

Note: Rated in accordance with AHRI Standard 270-2008 \*For Reference Only



# Accessory Description and Usage

**Anti-Short Cycle Timer** — Solid state timing device that prevents compressor recycling until five (5) minutes have elapsed after satisfying call or power interruptions. Use in area with questionable power delivery, commercial applications, long lineset, etc.

**Evaporation Defrost Control** — SPST Temperature actuated switch that cycles the condenser off as indoor coil reaches freeze-up conditions. Used for low ambient cooling to 30°F with TXV.

**Rubber Isolators** — Five (5) large rubber donuts to isolate condensing unit from transmitting energy into mounting frame or pad. Use on any application where sound transmission needs to be minimized.

**Hard Start Kit** — Start capacitor and relay to assist compressor motor startup. Use in areas with marginal power supply, on long linesets, low ambient conditions, etc.

**Extreme Condition Mount Kit** — Bracket kits to securely mount condensing unit to a frame or pad without removing any panels. Use in areas with high winds, or on commercial roof tops, etc.

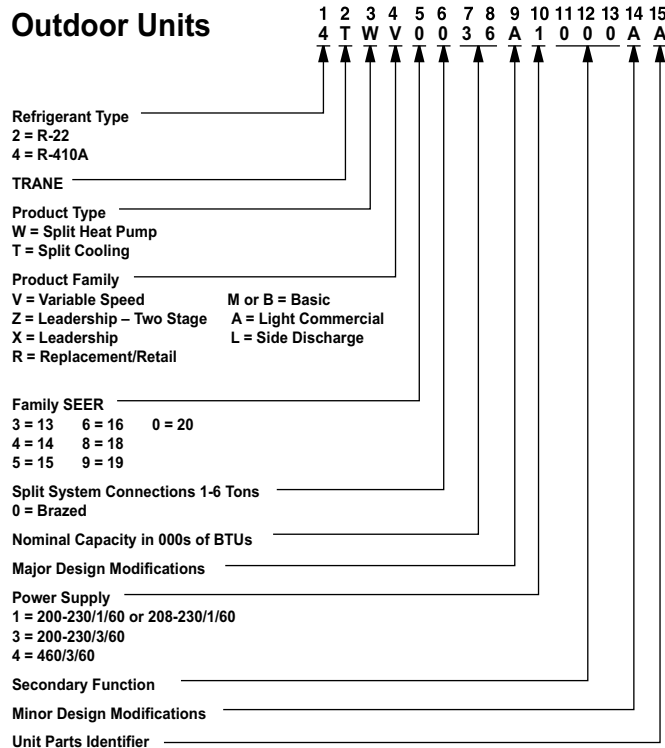
## AHRI Standard Capacity Rating Conditions

AHRI Standard 210/240 Rating Conditions

1. Cooling 80°F DB, 67°F WB air entering indoor coil, 95°F DB air entering outdoor coil.
2. High Temperature Heating 47°F DB, 43°F WB air entering outdoor coil, 70°F DB air entering indoor coil.
3. Low Temperature Heating 17°F DB air entering indoor coil.
4. Rated indoor airflow for heating is the same as for cooling.

**AHRI Standard 270 Rating Conditions** — (Noise rating numbers are determined with the unit in cooling operations.) Standard Noise Rating number is at 95°F outdoor air.

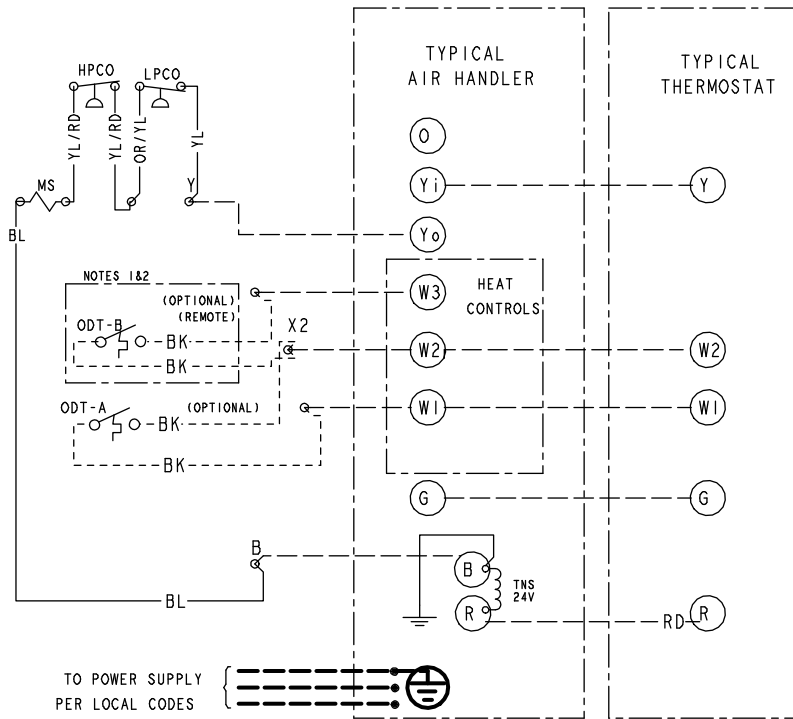
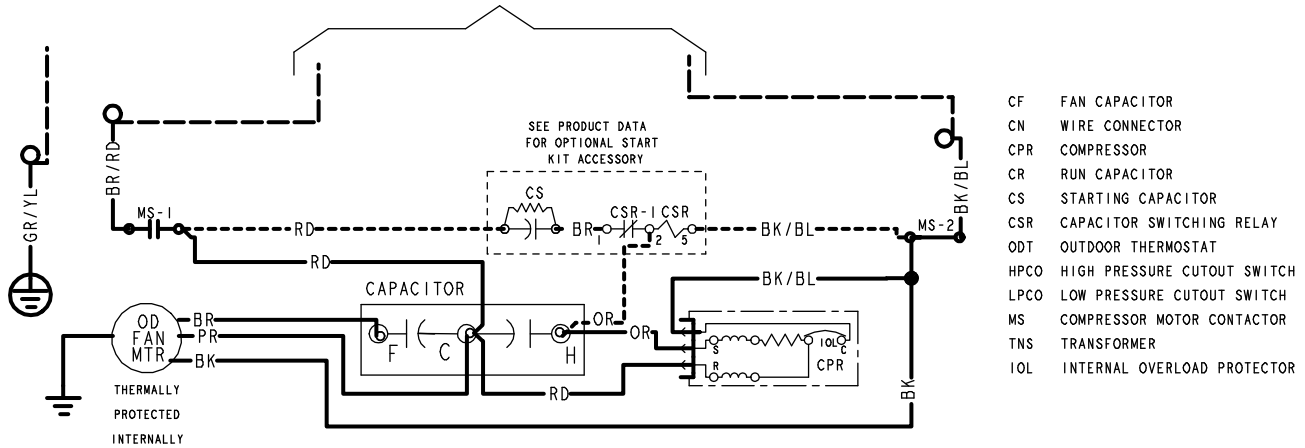
# Model Nomenclature



# Schematic Diagrams

Figure 1. 1.5 — 3.5 Ton Models

TO POWER SUPPLY PER UNIT NAMEPLATE AND LOCAL CODES



**⚠ WARNING**

HAZARDOUS VOLTAGE!  
 DISCONNECT ALL ELECTRICAL POWER INCLUDING REMOTE DISCONNECTS BEFORE SERVICING.  
 Failure to disconnect power before servicing can cause severe personal injury or death.

**⚠ CAUTION**

USE COPPER CONDUCTORS ONLY!  
 UNIT TERMINALS ARE NOT DESIGNED TO ACCEPT OTHER TYPES OF CONDUCTORS.  
 Failure to do so may cause damage to the equipment.

COLOR OF WIRE

COLOR OF MARKER

BK	BLACK	RD	RED	OR	ORANGE
BL	BLUE	WH	WHITE	GR	GREEN
BR	BROWN	YL	YELLOW	PR	PURPLE
PK	PINK				

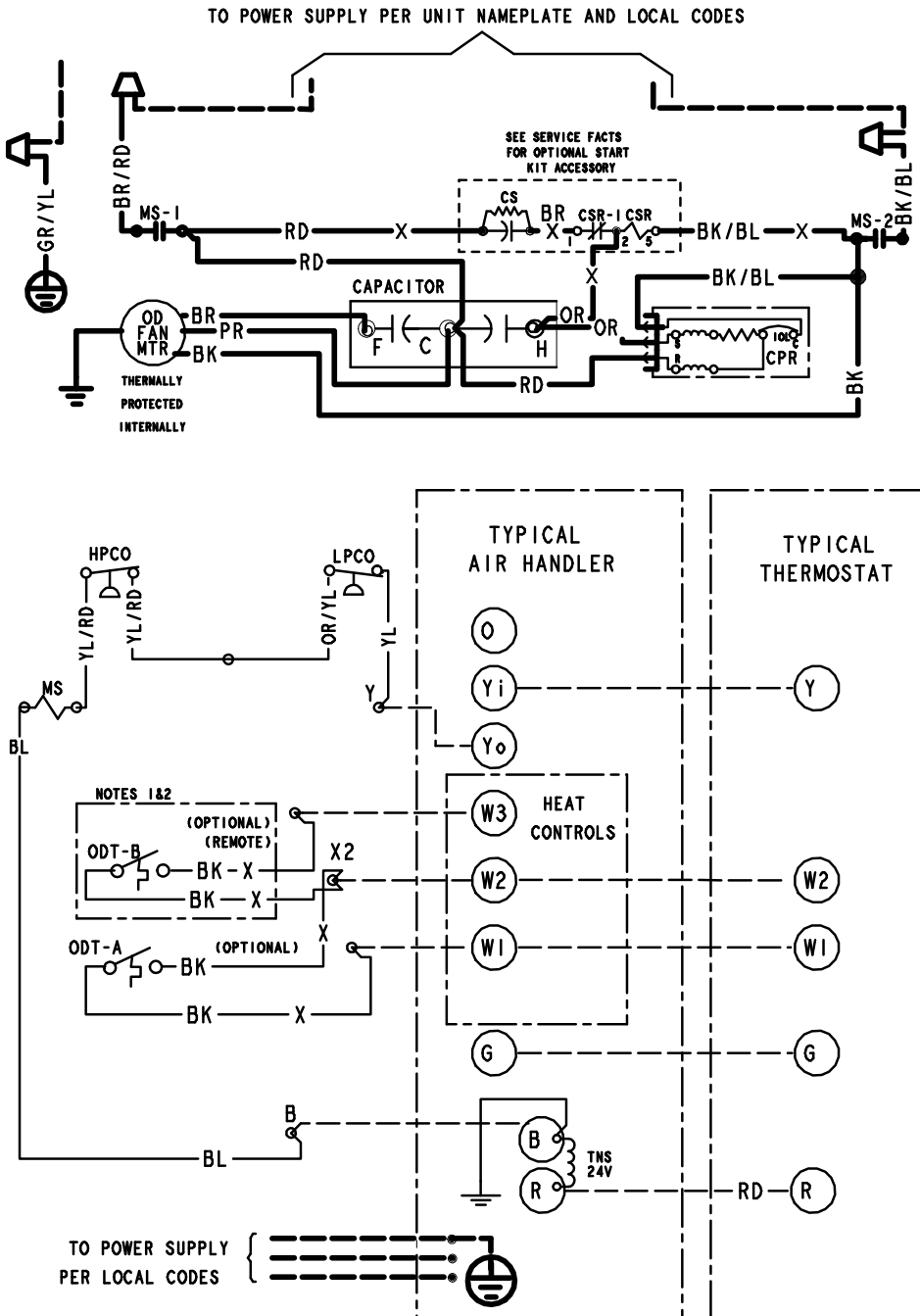
- NOTES:
- IF ODT-B IS NOT USED, ADD JUMPER BETWEEN W2 & W3 AT AIR HANDLER. IF USED, ODT-B MUST BE MOUNTED REMOTE OF CONTROL BOX IN AN APPROVED WEATHER PROOF ENCLOSURE.
  - IF ODT-A IS NOT USED, ADD JUMPER BETWEEN W1 & W2 AT AIR HANDLER.
  - LOW VOLTAGE (24 V) FIELD WIRING MUST BE 18 AWG MINIMUM.
  - USE COPPER CONDUCTORS ONLY!

FOR CANADIAN INSTALLATIONS  
 POUR INSTALLATIONS CANADIENNES

CAUTION: NOT SUITABLE FOR USE ON SYSTEMS EXCEEDING 150V-TO-GROUND  
 ATTENTION: NE CONVIENT PAS AUX INSTALLATIONS DE PLUS DE 150 V A LA TERRE

PRINTED FROM DI57047P03 REVA

Figure 2. 4.0 – 5.0 Ton Models



### LEGEND

- CF FAN CAPACITOR
- CN WIRE CONNECTOR
- CPR COMPRESSOR
- CR RUN CAPACITOR
- CS STARTING CAPACITOR
- CSR CAPACITOR SWITCHING RELAY
- ODT OUTDOOR THERMOSTAT
- HPCO HIGH PRESSURE CUTOOUT SWITCH
- LPCO LOW PRESSURE CUTOOUT SWITCH
- MS COMPRESSOR MOTOR CONTACTOR
- TNS TRANSFORMER
- IOL INTERNAL OVERLOAD PROTECTOR

COLOR OF WIRE  
 COLOR OF MARKER

- BK BLACK
- RD RED
- OR ORANGE
- BL BLUE
- WH WHITE
- GR GREEN
- BR BROWN
- YL YELLOW
- PR PURPLE
- PK PINK

FOR CANADIAN INSTALLATIONS  
POUR INSTALLATIONS CANADIENNES

CAUTION: NOT SUITABLE FOR USE ON SYSTEMS EXCEEDING 150V-TO-GROUND  
ATTENTION: NE CONVIENT PAS AUX INSTALLATIONS DE PLUS DE 150 V A LA TERRE

PRINTED FROM DI60439P01 REVA







# Mechanical Specification Options

## General

The outdoor condensing units are factory charged with the system charge required for the outdoor condensing unit, ten (10) feet of tested connecting line, and the smallest rated indoor evaporative coil match. This unit is designed to operate at outdoor ambient temperatures as high as 115°F. Cooling capacities are matched with a wide selection of air handlers and furnace coils that are AHRI certified. The unit is certified to UL 1995. Exterior is designed for outdoor application.

## Casing

Unit casing is constructed of heavy gauge, galvanized steel and painted with a weather-resistant powder paint finish. The corner panels are prepainted. All panels are subjected to our 1,000 hour salt spray test.

## Refrigerant Controls

Refrigeration system controls include condenser fan, compressor contactor and low and high pressure switches. A factory supplied, field installed liquid line drier is standard.

## Compressor

The compressor features internal over temperature and pressure protection. Other features include: Centrifugal oil pump and low vibration and noise.

## Condenser Coil

The outdoor coil provides low airflow resistance and efficient heat transfer. The coil is protected on all four sides by louvered panels.

## Low Ambient Cooling

As manufactured, this system has a cooling capacity to 55°F. The addition of an evaporator defrost control permits operation to 40°F. The addition of an evaporator defrost control with TXV permits low ambient cooling to 30°F.

The addition of the BAYLOAM107A low ambient kit permits ambient cooling to 20°F.

**Thermostats**—Cooling only and heat/cooling (manual and automatic change over). Sub-base to match thermostat and locking thermostat cover.





Ingersoll Rand (NYSE: IR) advances the quality of life by creating comfortable, sustainable and efficient environments. Our people and our family of brands — including Club Car®, Ingersoll Rand®, Thermo King® and Trane® — work together to enhance the quality and comfort of air in homes and buildings; transport and protect food and perishables; and increase industrial productivity and efficiency. We are a global business committed to a world of sustainable progress and enduring results.



[ingersollrand.com](http://ingersollrand.com)



The AHRI Certified mark indicates Ingersoll Rand participation in the AHRI Certification program. For verification of individual certified products, go to [www.ahridirectory.org](http://www.ahridirectory.org).

Ingersoll Rand has a policy of continuous product and product data improvements and reserves the right to change design and specifications without notice.

We are committed to using environmentally conscious print practices.