



# Product Data

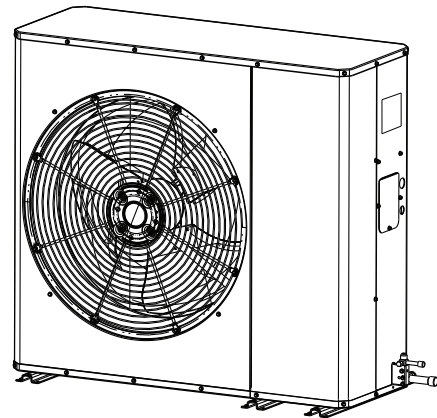
## Side Discharge AC Models

*For coastal applications where units are installed within one (1) mile of salt water, epoxy coated models are recommended. These models have an 8 week lead time after order.*

4TTL6018A1000A  
4TTL6024A1000A  
4TTL6030A1000A  
4TTL6036A1000A  
4TTL6042A1000A  
4TTL6048A1000A  
4TTL6060A1000A

### Epoxy Coated Model

4TTL6018A1COTA  
4TTL6024A1COTA  
4TTL6030A1COTA  
4TTL6036A1COTA  
4TTL6042A1COTA  
4TTL6048A1COTA  
4TTL6060A1COTA



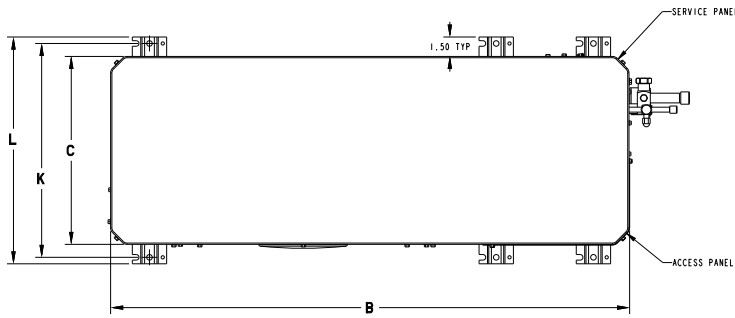
*Note: "Graphics in this document are for representation only. Actual model may differ in appearance."*



# Table of Contents

|  |    |
|--|----|
| Outline Drawing .....                  | 3  |
| Sound Power Level Table.....           | 4  |
| Product Specifications .....           | 5  |
| Accessory Description and Usage .....  | 7  |
| Model Nomenclature.....                | 7  |
| Wiring .....                           | 8  |
| Mechanical Specification Options ..... | 12 |

# Outline Drawing



▲ SHOULD BE AT LEAST 152.4 (6 INCHES) FROM WALL AND 459.6 (12 FEET) FROM SURROUNDING SHRUBBERY ON ALL SIDES.

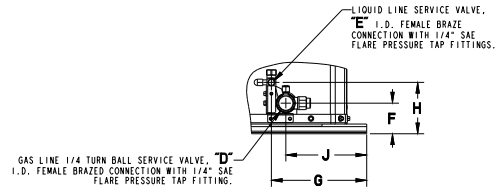


FIGURE 2

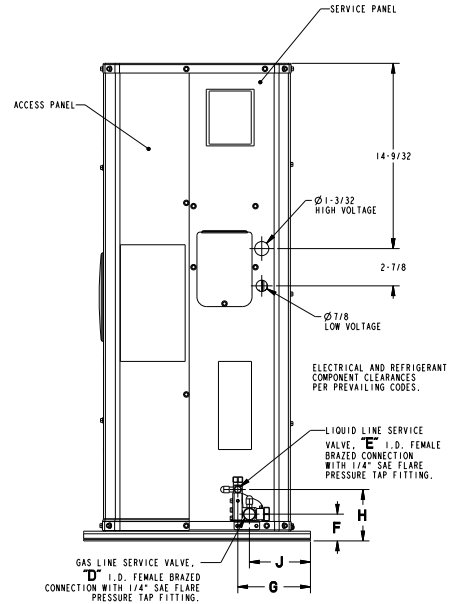
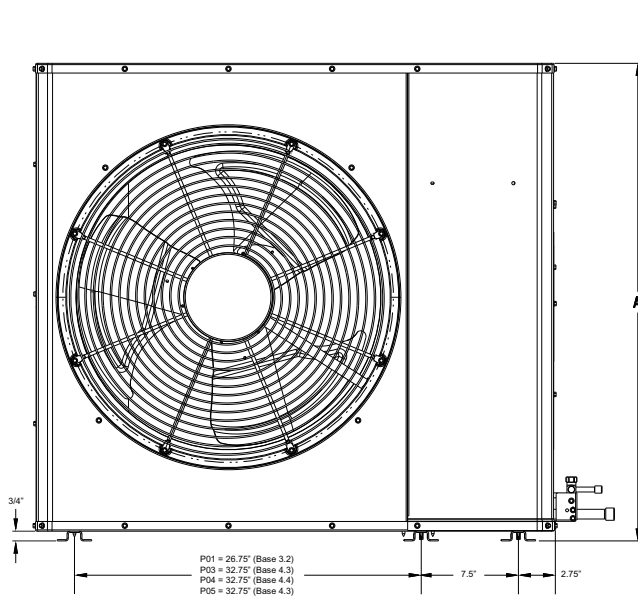


FIGURE 1

DWG. D159818\_Rev D

| Model     | Base | A                | B            | C               | D           | E           | F              | G                | H                | J                |
|-----------|------|------------------|--------------|-----------------|-------------|-------------|----------------|------------------|------------------|------------------|
| 4TTL6018A | 3.3  | 934<br>(36-3/4)  | 1016<br>(40) | 368<br>(14-1/2) | 19<br>(3/4) | 10<br>(3/8) | 53<br>(2-1/16) | 142<br>(5-19/32) | 101<br>(3-31/32) | 120<br>(4-23/32) |
| 4TTL6024A | 3.3  | 934<br>(36-3/4)  | 1016<br>(40) | 368<br>(14-1/2) | 19<br>(3/4) | 10<br>(3/8) | 53<br>(2-1/16) | 142<br>(5-19/32) | 101<br>(3-31/32) | 120<br>(4-23/32) |
| 4TTL6030A | 3.3  | 934<br>(36-3/4)  | 1016<br>(40) | 368<br>(14-1/2) | 19<br>(3/4) | 10<br>(3/8) | 53<br>(2-1/16) | 142<br>(5-19/32) | 101<br>(3-31/32) | 120<br>(4-23/32) |
| 4TTL6036A | 4.3  | 934<br>(36-3/4)  | 1194<br>(47) | 445<br>(17-1/2) | 22<br>(7/8) | 10<br>(3/8) | 53<br>(2-1/16) | 187<br>(7-11/32) | 101<br>(3-31/32) | 159<br>(6-1/4)   |
| 4TTL6042A | 4.3  | 934<br>(36-3/4)  | 1194<br>(47) | 445<br>(17-1/2) | 22<br>(7/8) | 10<br>(3/8) | 53<br>(2-1/16) | 187<br>(7-11/32) | 101<br>(3-31/32) | 159<br>(6-1/4)   |
| 4TTL6048A | 4.3  | 934<br>(36-3/4)  | 1194<br>(47) | 445<br>(17-1/2) | 22<br>(7/8) | 10<br>(3/8) | 53<br>(2-1/16) | 187<br>(7-11/32) | 101<br>(3-31/32) | 159<br>(6-1/4)   |
| 4TTL6060A | 4.4  | 1086<br>(42-3/4) | 1194<br>(47) | 445<br>(17-1/2) | 22<br>(7/8) | 10<br>(3/8) | 60<br>(2-3/8)  | 187<br>(7-11/32) | 101<br>(3-31/32) | 159<br>(6-1/4)   |



# Sound Power Level Table

| MODEL      | A-Weighted Sound Power Level [dB(A)] | Full Octave Sound Power(dB) |        |        |        |         |         |         |         |
|------------|--------------------------------------|-----------------------------|--------|--------|--------|---------|---------|---------|---------|
|            |                                      | 63 Hz*                      | 125 Hz | 250 Hz | 500 Hz | 1000 Hz | 2000 Hz | 4000 Hz | 8000 Hz |
| 4TTL6018A1 | 70                                   | 55                          | 77     | 71     | 66     | 67      | 61      | 53      | 43      |
| 4TTL6024A1 | 70                                   | 55                          | 77     | 71     | 66     | 67      | 61      | 53      | 43      |
| 4TTL6030A1 | 71                                   | 55                          | 77     | 72     | 66     | 67      | 62      | 54      | 45      |
| 4TTL6036A1 | 72                                   | 56                          | 76     | 76     | 70     | 66      | 62      | 55      | 48      |
| 4TTL6042A1 | 73                                   | 56                          | 77     | 76     | 71     | 67      | 62      | 56      | 48      |
| 4TTL6048A1 | 73                                   | 56                          | 77     | 76     | 71     | 67      | 62      | 56      | 48      |
| 4TTL6060A1 | 73                                   | 59                          | 78     | 77     | 69     | 67      | 62      | 57      | 52      |

Note: Rated in accordance with AHRI Standard 270 \*For Reference Only

| MODEL      | Sound Pressure [dB(A)] |      |       |       |
|------------|------------------------|------|-------|-------|
|            | 3 ft                   | 5 ft | 10 ft | 15 ft |
| 4TTL6018A1 | 63                     | 58   | 52    | 49    |
| 4TTL6024A1 | 63                     | 58   | 52    | 49    |
| 4TTL6030A1 | 64                     | 59   | 53    | 50    |
| 4TTL6036A1 | 65                     | 60   | 54    | 51    |
| 4TTL6042A1 | 66                     | 61   | 55    | 52    |
| 4TTL6048A1 | 66                     | 61   | 55    | 52    |
| 4TTL6060A1 | 66                     | 61   | 55    | 52    |

Note: Rated in accordance with AHRI Standard 275



# Product Specifications

| Model No. <sup>(a)</sup>                     | 4TTL6018A1XXXA          | 4TTL6024A1XXXA          | 4TTL6030A1XXXA          | 4TTL6036A1XXXA          |
|--|-------------------------|-------------------------|-------------------------|-------------------------|
| HIGH SPEED COOLING CAPACITY@ 80/67-95 (Btuh) | 18000                   | 24000                   | 28200                   | 35000                   |
| POWER CONNS. — V/PH/HZ <sup>(b)</sup>        | 208/230/1/60            | 208/230/1/60            | 208/230/1/60            | 208/230/1/60            |
| MIN. BRCH. CIR. AMPACITY                     | 12                      | 13                      | 17                      | 19                      |
| BR. CIR. PROT. RTG. — MAX. (AMPS)            | 20                      | 20                      | 25                      | 30                      |
| COMPRESSOR                                   | CLIMATUFF®-SCROLL       | CLIMATUFF®-SCROLL       | CLIMATUFF®-SCROLL       | CLIMATUFF®-SCROLL       |
| RL AMPS — LR AMPS                            | 9 — 48                  | 10.1 — 52               | 12.8— 67.8              | 14.7— 75                |
| Outdoor Fan FL AMPS                          | 0.54                    | 0.54                    | .64                     | .67                     |
| Fan HP                                       | 1/12                    | 1/12                    | 1/8                     | 1/8                     |
| Fan Dia (inches)                             | 23.5                    | 23.5                    | 23.5                    | 27.0                    |
| Coil   | PLATE FIN               | PLATE FIN               | PLATE FIN               | PLATE FIN               |
| Refrigerant R-410A                           | 4 LBS., 10 OZ           | 4 LBS., 2 OZ            | 5 LBS., 9 OZ            | 6 LBS., 3 OZ            |
| LINE SIZE — IN. O.D. GAS <sup>(c)</sup>      | 3/4                     | 3/4                     | 3/4                     | 3/4                     |
| LINE SIZE — IN. O.D. LIQ.                    | 3/8                     | 3/8                     | 3/8                     | 3/8                     |
| Charge Spec. Subcooling                      | 10°F                    | 10°F                    | 10°F                    | 10°F                    |
| Dimensions H x W X D Crated (IN.)            | 40.75 x 47.5 x 20.0     | 40.75 x 47.5 x 20.0     | 40.75 x 47.5 x 20.0     | 40.88 x 54.5 x 23.0     |
| Weight — Shipping (lbs.)                     | 165                     | 165                     | 180                     | 242                     |
| Weight — Net (lbs.)                          | 145                     | 145                     | 160                     | 215                     |
| <b>Optional Accessories:</b>                 |                         |                         |                         |                         |
| Evaporator Defrost Control                   | AY28X079                | AY28X079                | AY28X079                | AY28X079                |
| Rubber Isolator Kit                          | BAYISLT101              | BAYISLT101              | BAYISLT101              | BAYISLT101              |
| Start Kit                                    | BAYKSKT263              | BAYKSKT263              | BAYKSKT263              | BAYKSKT263              |
| Crankcase Heater Kit                         | BAYCCHT302RES           | BAYCCHT302RES           | BAYCCHT302RES           | BAYCCHT302RES           |
| Snow Leg Kit 4"                              | BAYLEGS004              | BAYLEGS004              | BAYLEGS004              | BAYLEGS004              |
| Snow Leg Kit 7"                              | BAYLEGS007              | BAYLEGS007              | BAYLEGS007              | BAYLEGS007              |
| Scroll Compressor Enclosure                  | BAYSDEN003              | BAYSDEN003              | BAYSDEN003              | BAYSDEN003              |
| Low Ambient Kit                              | BAYLOAM107A             | BAYLOAM107A             | BAYLOAM107A             | BAYLOAM107A             |
| Wall Mount Kit                               | BRK05033 <sup>(d)</sup> | BRK05033 <sup>(d)</sup> | BRK05033 <sup>(d)</sup> | BRK05033 <sup>(d)</sup> |
| Wind Baffle Kit                              | BAYWIND100              | BAYWIND100              | BAYWIND100              | BAYWIND101              |
| Refrigerant Lineset <sup>(e)</sup>           | TAYREFLN7*              | TAYREFLN7*              | TAYREFLN7*              | TAYREFLN7*              |

<sup>(a)</sup> Certified in accordance with the Unitary Air-conditioner equipment certification program which is based on AHRI standard 210/240.

<sup>(b)</sup> Calculated in accordance with N.E.C. Only use HACR circuit breakers or fuses.

<sup>(c)</sup> Standard line lengths — 150', Standard lift — 50' Suction and Liquid line. For Greater lengths and lifts refer to refrigerant piping software Pub#32-3312-0\* (\* denotes latest revision)..

<sup>(d)</sup> Available from Trane Parts

<sup>(e)</sup> \* = 15, 20, 25, 30, 40 and 50 foot lineset available.



## Product Specifications

| Model No. <sup>(a)</sup>                     | 4TTL6042A1XXXA          | 4TTL6048A1XXXA          | 4TTL6060A1XXXA          |
|--|-------------------------|-------------------------|-------------------------|
| HIGH SPEED COOLING CAPACITY@ 80/67-95 (Btuh) | 41000                   | 46500                   | 56000                   |
| POWER CONNS. — V/PH/HZ <sup>(b)</sup>        | 208/230/1/60            | 208/230/1/60            | 208/230/1/60            |
| MIN. BRCH. CIR. AMPACITY                     | 22                      | 24                      | 31                      |
| BR. CIR. PROT. RTG. — MAX. (AMPS)            | 35                      | 40                      | 50                      |
| COMPRESSOR                                   | CLIMATUFF®- SCROLL      | CLIMATUFF®- SCROLL      | CLIMATUFF®- SCROLL      |
| RL AMPS — LR AMPS                            | 16.7 — 109              | 18.5 — 124              | 23.7 — 152.5            |
| Outdoor Fan FL AMPS                          | 1.18                    | 1.18                    | 1.05                    |
| Fan HP                                       | 1/5                     | 1/5                     | 1/5                     |
| Fan Dia (inches)                             | 27                      | 27                      | 27                      |
| Coil   | PLATE FIN               | PLATE FIN               | PLATE FIN               |
| Refrigerant R-410A                           | 6 LBS., 8 OZ            | 6 LBS., 6 OZ            | 7 LBS., 4 OZ            |
| LINE SIZE — IN. O.D. GAS <sup>(c)</sup>      | 7/8                     | 7/8                     | 1-1/8                   |
| LINE SIZE — IN. O.D. LIQ.                    | 3/8                     | 3/8                     | 3/8                     |
| Charge Spec. Subcooling                      | 10°F                    | 10°F                    | 10°F                    |
| Dimensions H x W X D Crated (IN.)            | 40.88 x 54.5 x 23.0     | 40.88 x 54.5 x 23.0     | 46.88 x 54.5 x 23.0     |
| Weight — Shipping (lbs.)                     | 243                     | 243                     | 263                     |
| Weight — Net (lbs.)                          | 216                     | 216                     | 236                     |
| <b>Optional Accessories:</b>                 |                         |                         |                         |
| Evaporator Defrost Control                   | AY28X079                | AY28X079                | AY28X079                |
| Rubber Isolator Kit                          | BAYISLT101              | BAYISLT101              | BAYISLT101              |
| Start Kit                                    | BAYKSKT263              | BAYKSKT263              | BAYKSKT263              |
| Crankcase Heater Kit                         | BAYCCHT301RES           | BAYCCHT301RES           | BAYCCHT301RES           |
| Snow Leg Kit 4"                              | BAYLEGS004              | BAYLEGS004              | BAYLEGS004              |
| Snow Leg Kit 7"                              | BAYLEGS007A             | BAYLEGS007A             | BAYLEGS007A             |
| Scroll Compressor Enclosure                  | BAYSDEN004              | BAYSDEN004              | BAYSDEN004              |
| Low Ambient Kit                              | BAYLOAM107A             | BAYLOAM107A             | BAYLOAM107A             |
| Wall Mount Kit                               | BRK05033 <sup>(d)</sup> | BRK05033 <sup>(d)</sup> | BRK05033 <sup>(d)</sup> |
| Wind Baffle Kit                              | BAYWIND101              | BAYWIND101              | BAYWIND101              |
| Refrigerant Lineset <sup>(e)</sup>           | TAYREFLN7*              | TAYREFLN7*              | TAYREFLN7*              |

(a) Certified in accordance with the Unitary Air-conditioner equipment certification program which is based on AHRI standard 210/240.

(b) Calculated in accordance with N.E.C. Only use HACR circuit breakers or fuses.

(c) Standard line lengths — 150', Standard lift — 50' Suction and Liquid line. For Greater lengths and lifts refer to refrigerant piping software Pub#32-3312-0\* (\* denotes latest revision)..

(d) Available from Trane Parts

(e) \* = 15, 20, 25, 30, 40 and 50 foot lineset available.



# Accessory Description and Usage

**Evaporation Defrost Control** — SPST Temperature actuated switch that cycles the condenser off as indoor coil reaches freeze-up conditions. Used for low ambient cooling to 30°F with TXV.

**Rubber Isolators** — Six (6) large rubber donuts to isolate condensing unit from transmitting energy into mounting frame or pad. Use on any application where sound transmission needs to be minimized.

**Hard Start Kit** — Start capacitor and relay to assist compressor motor startup. Use in areas with marginal power supply, on long linesets, low ambient conditions, etc.

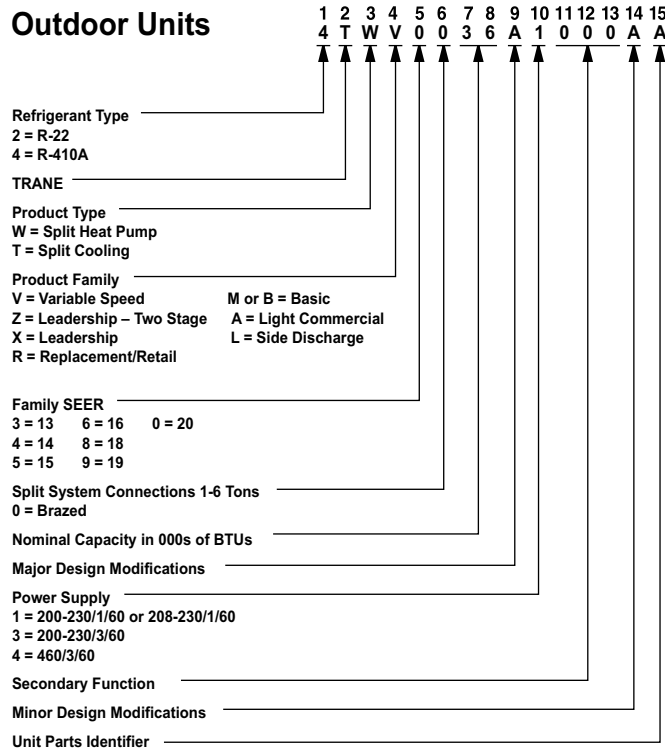
## AHRI Standard Capacity Rating Conditions

AHRI Standard 210/240 Rating Conditions

1. Cooling 80°F DB, 67°F WB air entering indoor coil, 95°F DB air entering outdoor coil.

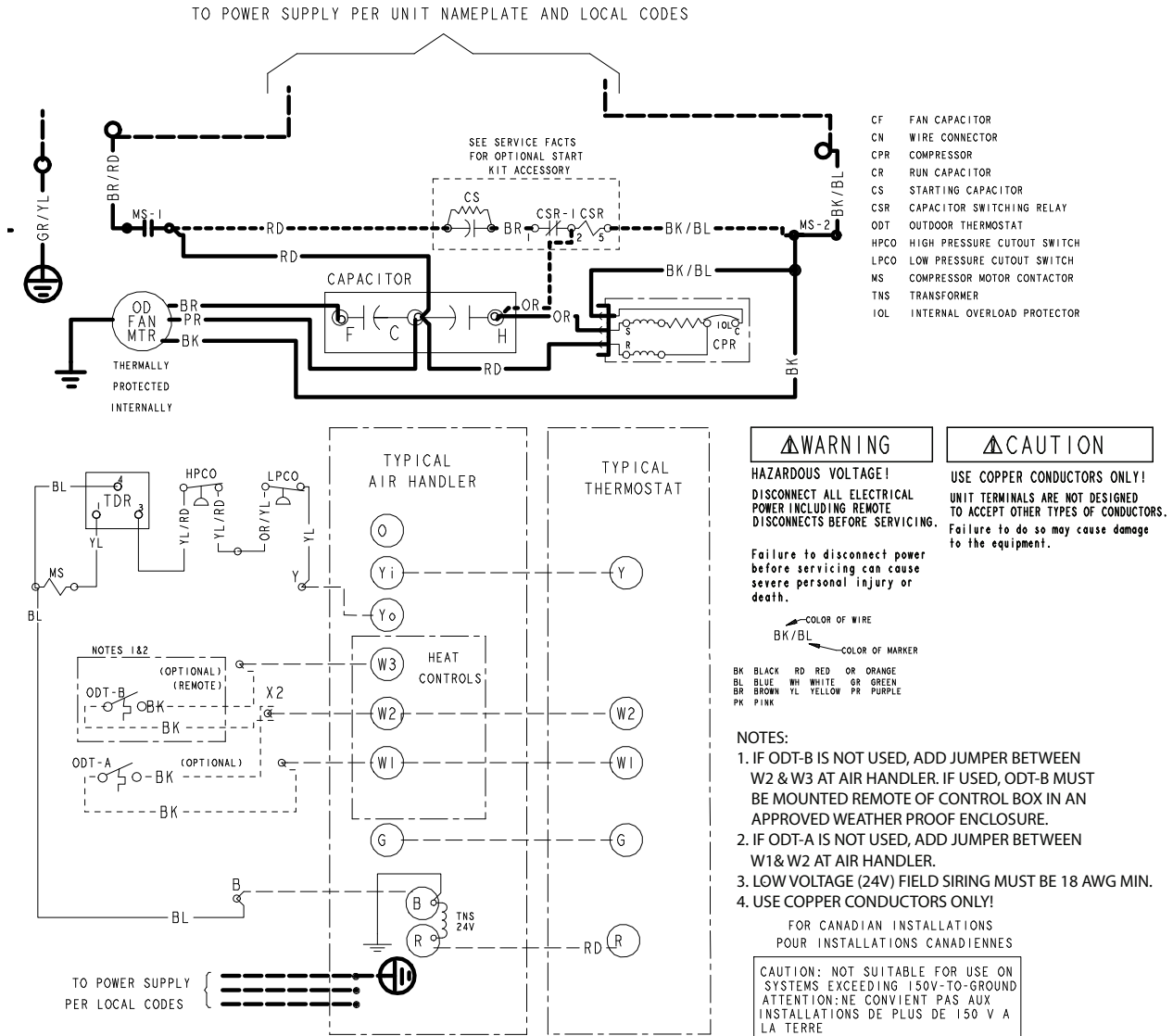
**AHRI Standard 270 Rating Conditions** — (Noise rating numbers are determined with the unit in cooling operations.) Standard Noise Rating number is at 95°F outdoor air.

# Model Nomenclature



# Wiring

**Figure 1. Schematic: 1.5 – 4 Ton Models**



**⚠ WARNING**

**HAZARDOUS VOLTAGE!**  
DISCONNECT ALL ELECTRICAL POWER INCLUDING REMOTE DISCONNECTS BEFORE SERVICING.

Failure to disconnect power before servicing can cause severe personal injury or death.

**⚠ CAUTION**

**USE COPPER CONDUCTORS ONLY!**  
UNIT TERMINALS ARE NOT DESIGNED TO ACCEPT OTHER TYPES OF CONDUCTORS. Failure to do so may cause damage to the equipment.

- Failure to disconnect power before servicing can cause severe personal injury or death.
- ← COLOR OF WIRE  
BK/BL ← COLOR OF MARKER
- BK BLACK RD RED OR ORANGE  
BL BLUE WH WHITE GR GREEN  
BR BROWN YL YELLOW PR PURPLE  
PK PINK

- NOTES:
1. IF ODT-B IS NOT USED, ADD JUMPER BETWEEN W2 & W3 AT AIR HANDLER. IF USED, ODT-B MUST BE MOUNTED REMOTE OF CONTROL BOX IN AN APPROVED WEATHER PROOF ENCLOSURE.
  2. IF ODT-A IS NOT USED, ADD JUMPER BETWEEN W1 & W2 AT AIR HANDLER.
  3. LOW VOLTAGE (24V) FIELD SIRING MUST BE 18 AWG MIN.
  4. USE COPPER CONDUCTORS ONLY!

FOR CANADIAN INSTALLATIONS  
POUR INSTALLATIONS CANADIENNES

CAUTION: NOT SUITABLE FOR USE ON SYSTEMS EXCEEDING 150V-TO-GROUND  
ATTENTION: NE CONVIENT PAS AUX INSTALLATIONS DE PLUS DE 150 V A LA TERRE

Dwg. D159847P01



**Figure 2. Schematic: 1.5 – 4 Ton Models**

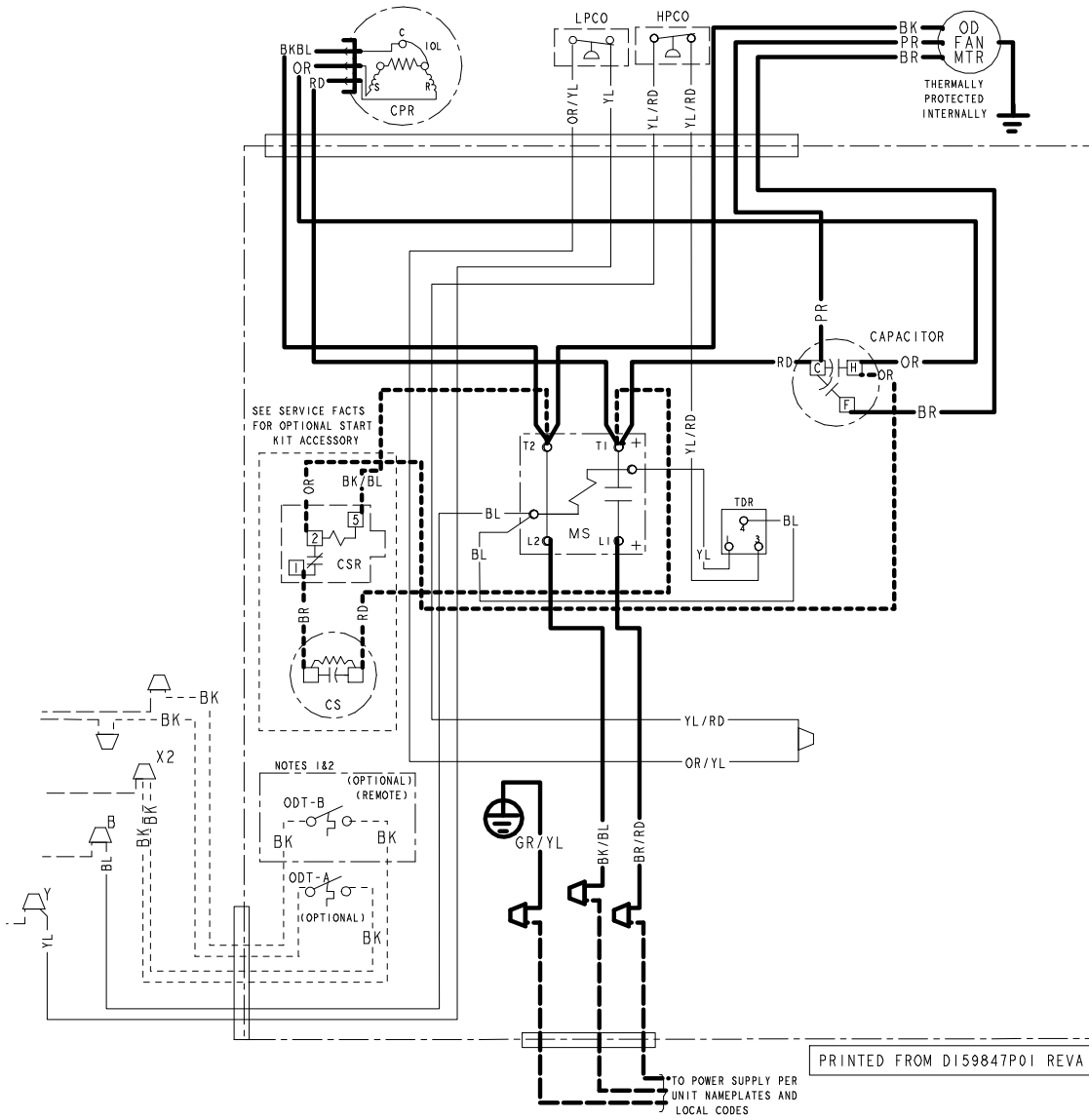
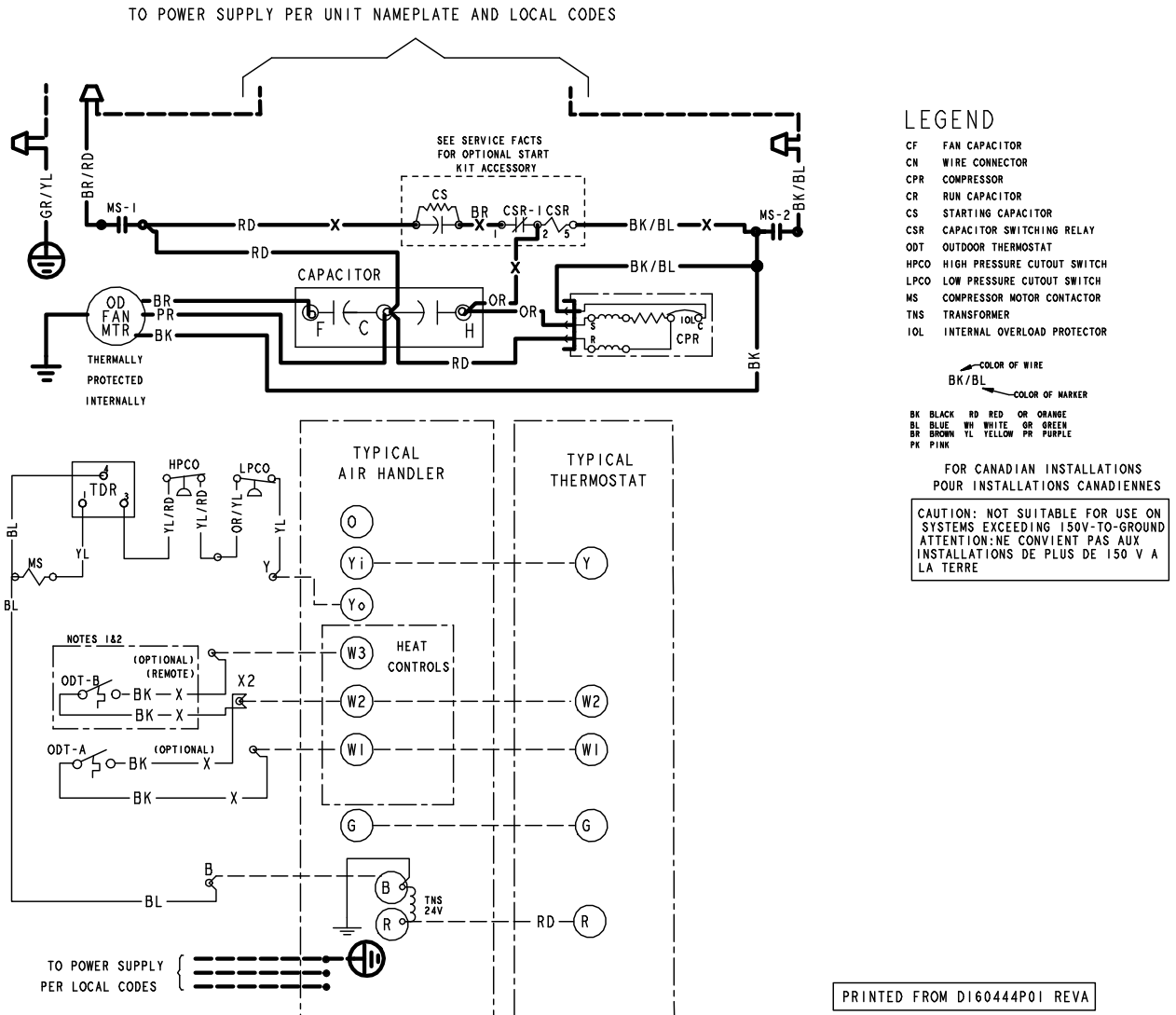


Figure 3. Schematic: 5 Ton Model

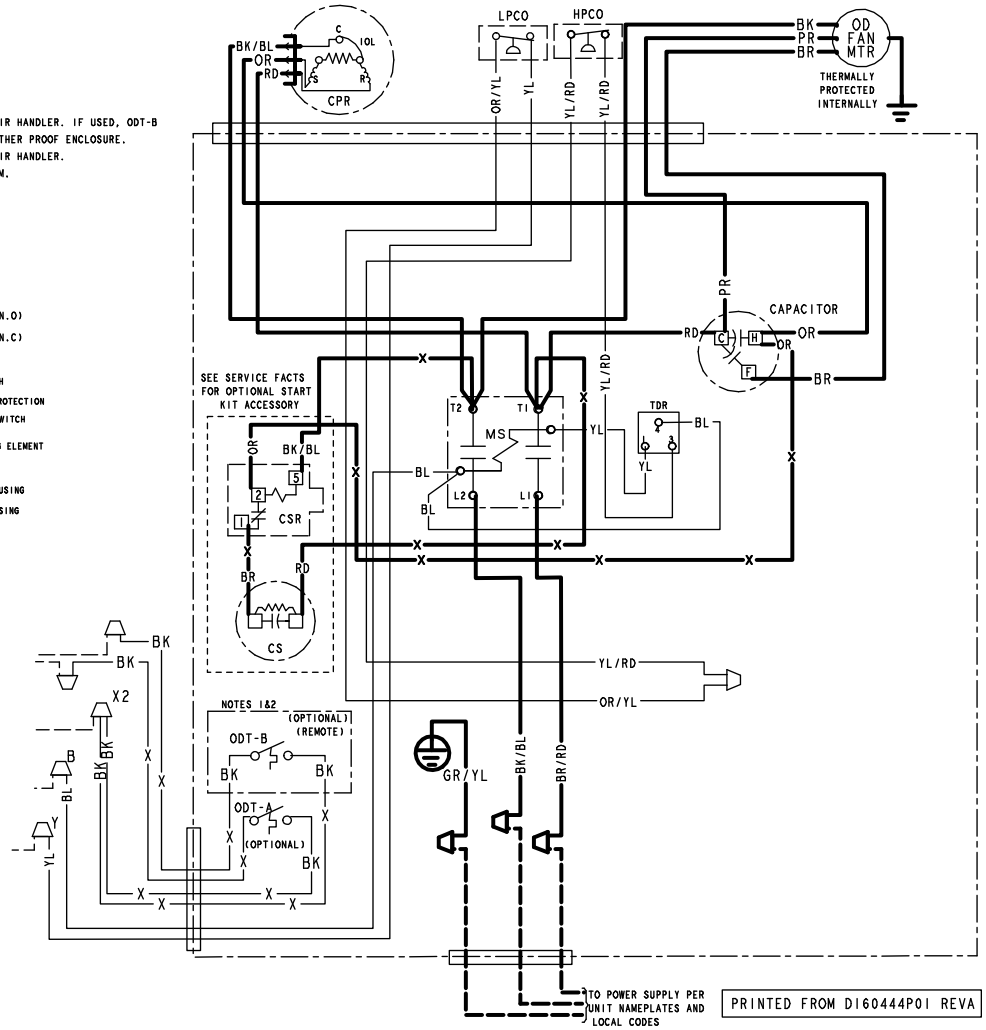


**Figure 4. Schematic: 5 Ton Model**

- NOTES:
1. IF ODT-B IS NOT USED. ADD JUMPER BETWEEN W2 & W3 AT AIR HANDLER. IF USED, ODT-B MUST BE MOUNTED REMOTE OF CONTROL BOX IN AN APPROVED WEATHER PROOF ENCLOSURE.
  2. IF ODT-A IS NOT USED. ADD JUMPER BETWEEN W1 & W2 AT AIR HANDLER.
  3. LOW VOLTAGE (24 V) FIELD WIRING MUST BE 18 AWG MINIMUM.
  4. USE COPPER CONDUCTORS ONLY!

**LEGEND**

- |  |                        |  |   |
|--|------------------------|--|---|
|  | 24 V } FACTORY         |  | RELAY CONTACT (N.O)                       |
|  | LINE WIRING            |  | RELAY CONTACT (N.C)                       |
|  | 24 V } FIELD           |  | THERMISTOR                                |
|  | LINE WIRING            |  | TEMP ACTUATED SWITCH                      |
|  | 24 V } FIELD INSTALLED |  | INTERNAL OVERLOAD PROTECTION              |
|  | LINE WIRING            |  | PRESSURE ACTUATED SWITCH                  |
|  | MAGNETIC COIL          |  | RESISTOR OR HEATING ELEMENT               |
|  | GROUND                 |  | MOTOR WINDING                             |
|  | JUNCTION               |  | POL. PLUG FEMALE HOUSING (MALE TERMINALS) |
|  | CAPACITOR              |  | POL. PLUG MALE HOUSING (FEMALE TERMINALS) |
|  | WIRE NUT OR CONNECTOR  |  |   |
|  | TERMINAL               |  |   |
|  | TRANSFORMER            |  |   |
|  | TERMINAL BLOCK/BOARD   |  |   |



TO POWER SUPPLY PER UNIT NAMEPLATES AND LOCAL CODES  
PRINTED FROM D160444P01 REVA



# Mechanical Specification Options

## General

The Outdoor Units are fully charged from the factory for up to 15 feet of piping. This unit is designed to operate at outdoor ambient temperatures as high as 115°F. Cooling capacities are matched with a wide selection of air handlers and furnace coils that are AHRI certified. The unit is certified to UL 1995. Exterior is designed for outdoor application.

## Casing

Unit casing is constructed of heavy gauge, galvanized steel and painted with a weather-resistant powder paint finish. The corner panels are prepainted. All panels are subjected to our 1,000 hour salt spray test .

## Refrigerant Controls

Refrigeration system controls include condenser fan, compressor contactor and low and high pressure switches. A factory supplied, field installed liquid line drier is standard.

## Compressor

The compressor features internal over temperature and pressure protection. Other features include: Centrifugal oil pump and low vibration and noise.

## Condenser Coil

The outdoor coil provides low airflow resistance and efficient heat transfer. The coil is protected on all four sides by louvered panels.

## Low Ambient Cooling

As manufactured, this system has a cooling capacity to 55°F. The addition of an evaporator defrost control permits operation to 40°F. The addition of an evaporator defrost control with TXV permits low ambient cooling to 30°F.

The addition of the BAYLOAM107A low ambient kit permits ambient cooling to 20°F.

**Thermostats**—Cooling only and heat/cooling (manual and automatic change over). Sub-base to match thermostat and locking thermostat cover.









Ingersoll Rand (NYSE: IR) advances the quality of life by creating comfortable, sustainable and efficient environments. Our people and our family of brands — including Club Car®, Ingersoll Rand®, Thermo King® and Trane® — work together to enhance the quality and comfort of air in homes and buildings; transport and protect food and perishables; and increase industrial productivity and efficiency. We are a global business committed to a world of sustainable progress and enduring results.



[ingersollrand.com](http://ingersollrand.com)



The AHRI Certified mark indicates Ingersoll Rand participation in the AHRI Certification program. For verification of individual certified products, go to [www.ahridirectory.org](http://www.ahridirectory.org).

Ingersoll Rand has a policy of continuous product and product data improvements and reserves the right to change design and specifications without notice. We are committed to using environmentally conscious print practices.