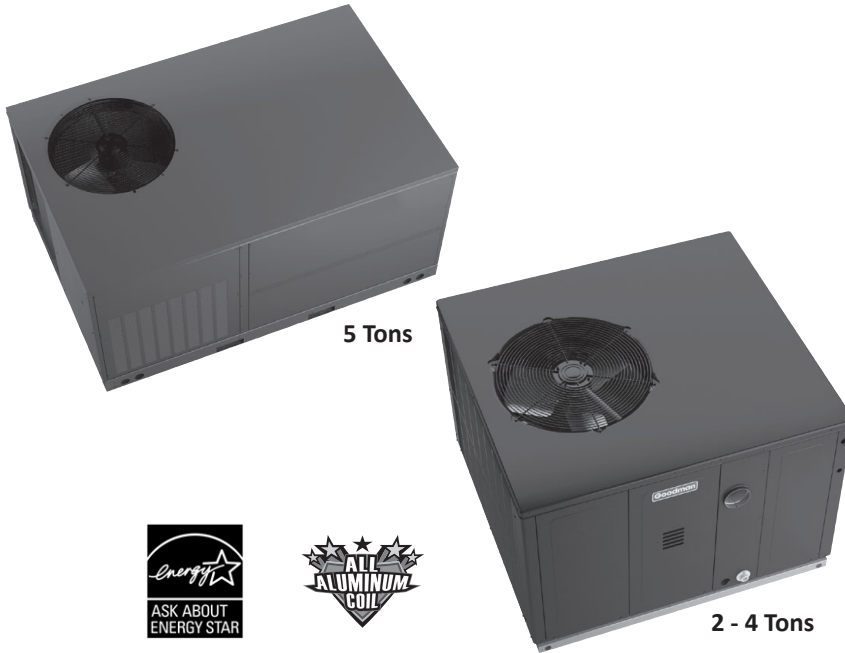


**PACKAGED GAS / ELECTRIC
UP TO 15.2 SEER2/ 81% AFUE
2 TO 5 TONS**



Contents

Nomenclature.....	2
Product Specifications.....	3
Expanded Cooling Data.....	4
Airflow Data.....	28
Dimensions.....	32
Wiring Diagram.....	37
Accessories.....	39

Standard Features

- Durable, corrosion-resistant T-140 aluminized steel tubular heat exchanger
- High-efficiency two-stage scroll compressor
- Convertible airflow: horizontal or downflow application
- Variable-speed ECM indoor blower motor
- Copper tube/aluminum fin condenser coil
- All-aluminum evaporator coil on 2- to 4-ton units
- Aluminum-copper evaporator coil on 5-ton units
- Power-assisted combustion
- Loss-of-charge protection & high-pressure switch
- Two-stage gas valve; natural gas with easy conversion to propane with accessory kit
- Direct spark ignition system includes a microprocessor-based control for the entire ignition sequence
- All blower operation and all safety circuits complete with self-diagnostics
- All models comply with California Low NOx emission standards (40ng/J NOx)
- This furnace does not comply with the SCAQMD Rule 1111 nor the SJVAPCD Rule 4905 14 ng/J NOx emission limit and therefore is not eligible for installation in California's South Coast Air Quality Management District (SCAQMD) nor the San Joaquin Valley Air Pollution Control District (SJVAPCD)
- AHRI Certified; ETL Listed

Cabinet Features

- Fully insulated heavy-gauge, zinc-coated steel cabinet with UV-resistant powder-paint finish
- Aluminum foil-facing internal insulation reinforced with fiberglass scrim
- Convenient access panels
- One roof curb fits 2-4 ton units
- Bottom, 2" high base rails for easier handling
- 2-4 ton models fit a standard-size pick-up truck
- When properly anchored, meets the 2020 Florida Building Code unit integrity requirements for hurricane-type winds (Anchor bracket kits available.)
- Meets cabinet air leakage requirements when tested in accordance with ASHRAE standard 193

20 YEAR HEAT EXCHANGER LIMITED WARRANTY | **10 YEAR PARTS LIMITED WARRANTY**



COMPANY WITH ENVIRONMENTAL SYSTEM CERTIFIED BY DNV GL
= ISO 14001 =

COMPANY WITH QUALITY SYSTEM CERTIFIED BY DNV GL
= ISO 9001 =



* Complete warranty details available from your local dealer or at www.goodmanmfg.com. To receive the 20-Year Heat Exchanger Limited Warranty (good for as long as you own your home), and 10-Year Parts Limited Warranty, online registration must be completed within 60 days of installation. Online registration is not required in California or Quebec. The duration of warranty coverages in Texas differs in some cases.

	G	P	G	M	5	36	080	4	1	A	A
	1	2	3	4	5	6,7	8,9,10	11	12	13	14
Brand G- Goodman® Brand											Minor Revision A
Product Category P - Packaged Unit											Major Revision A
Unit Type G - Gas/Electric											Electrical 1 - 208/230V single-phase, 60 Hz
Airflow M - Multi-position											Refrigerant 4 - R-410A
Efficiency 3 13.4 SEER2 5 15.2 SEER2											Heat Input 060 60 MBTU/H 100 100 MBTU/H 080 80 MBTU/H 140 140 MBTU/H
											Tonnage Nominal 24 - 2 tons 42 - 3½ tons 30 - 2½ tons 48 - 4 tons 36 - 3 tons 60 - 5 tons

	GPGM524 06041AA	GPGM530 08041AA	GPGM536 08041AA	GPGM542 10041AA	GPGM548 10041AA	GPGM560 14041AA
COOLING CAPACITY						
Total BTU/h	23,000	29,000	35,000	41,000	46,000	58,000
Sensible BTU/h	19,100	22,500	28,700	31,000	34,500	42,600
SEER2 / EER2	15.2 / 11.2	14.6 / 11.2	15.2 / 11.2	14.7 / 11.2	15.0 / 11.2	15.2 / 11.2
Decibels	78	76	79	80	79	78
AHRI Reference #s	209319556	209319559	209319563	209319567	209319570	209319573
HEATING CAPACITY (BTU/H)						
High-Fire Input / Output	60,000 / 48,600	80,000 / 64,800	80,000 / 64,800	100,000 / 81,000	100,000 / 81,000	135,000 / 109,350
Low-Fire Input / Output	45,000 / 36,450	60,000 / 48,600	60,000 / 48,600	75,000 / 60,750	75,000 / 60,750	101,250 / 82,000
AFUE	81	81	81	81	81	81
High/Low Temperature Rise Range	25-55/25-55	35- 65/35-65	35- 65/35-65	35- 65/35-65	35- 65/35-65	35-65/25-55
No. of Burners	3	4	4	5	5	6
EVAPORATOR MOTOR						
Type	ECM	ECM	ECM	ECM	ECM	ECM
Wheel (D x W)	10" x 8"	10" x 9"	11" x 10"	11" x 10"	11" x 10"	11" x 10"
Indoor Nominal CFM	800	950	1,200	1,250	1,300	2,000
No. of Speeds	5	5	5	5	5	5
Horsepower	1/2	1/2	3/4	3/4	3/4	1
EVAPORATOR COIL						
Face Area (ft ²)	4.3	4.3	5.7	5.7	5.7	9.2
Rows Deep/Fins per Inch	3 / 14	3 / 14	4 / 14	4 / 14	4 / 14	4 / 16
Piston Size (Cooling)	TXV	TXV	TXV	TXV	TXV	TXV
Filter Size (ft ²)	(1)20X20X1	(1)20X25X1	(1)25X25X1	(2)20X20X1	(2)20X20X1	(1)14X20X2 (2)20X20X2
Drain Size (NPT)	3/8"	3/8"	3/8"	3/8"	3/8"	3/8"
Refrigerant Charge (oz.)	70	64	114	143	100	150
CONDENSER FAN / COIL						
Horsepower- RPM	1/6- 810	1/4- 830	1/4- 1075	1/4- 1,075	1/4- 1,075	1/3- 1,000
Diameter / # of Blades	22" / 3	22" / 3	22" / 3	22" / 3	22" / 3	22" / 3
Outdoor Nominal CFM	2,200	2,200	3,100	3,200	3,100	4,200
Face Area (ft ²)	12.3	8.7	14.4	14.9	14.4	19
Rows Deep/Fins per Inch	1 / 24	2 / 27	2 / 27	2 / 16	2 / 27	2 / 28
COMPRESSOR						
Quantity / Type / Stage	1 / Scroll / 2	1 / Scroll / 2	1 / Scroll / 2	1 / Scroll / 2	1 / Scroll / 2	1 / Scroll / 2
Compressor RLA/LRA	10.9/62.9	13.1 / 73.0	14.1 / 84.2	19.9 / 150.7	20.4 / 122.1	27/ 139.9
ELECTRICAL DATA						
Voltage-Phase (Frequency 60Hz)	208/230-1	208/230-1	208/230-1	208/230-1	208/230-1	208/230-1
Indoor Blower FLA/LRA	3.8	4.3	6.8	6.8	6.8	6.9
Outdoor Fan FLA/LRA	0.95/ 2.0	1.3 / 3.0	1.4 / 3.2	1.4 / 3.2	1.4 / 3.2	2.8 / 4.4
Min. Circuit Ampacity ¹	18.4	22.0	25.8	33.1	33.7	43.3
Max. Overcurrent Protection ²	25 amps	35 amps	35 amps	50 amps	50 amps	70amps
OPERATING / SHIP WEIGHTS (LBS)	370 / 380	397 / 407	490 / 500	495 / 505	490 / 500	655 / 713
ENERGY STAR CERTIFIED	NO	NO	NO	NO	NO	NO

¹ Wire size should be determined in accordance with National Electrical Codes. Extensive wire runs will require larger wire sizes.

² Must use time-delay fuses or HACR-type circuit breakers of the same size as noted.

Note: Always check the S&R plate for electrical data on the unit being installed.

EXPANDED COOLING DATA — GPGM524***41 STAGE 1

IDB	AIRFLOW	OUTDOOR AMBIENT TEMPERATURE												ENTERING INDOOR WET BULB TEMPERATURE											
		65°F				75°F				85°F				95°F				105°F				115°F			
		59	63	67	71	59	63	67	71	59	63	67	71	59	63	67	71	59	63	67	71	59	63	67	71
490	MBh	16.8	17.1	17.6	-	16.7	16.9	17.4	-	16.2	16.5	17.0	-	15.5	15.7	16.2	-	14.6	14.8	15.3	-	13.7	13.9	14.5	-
	S/T	0.66	0.58	0.43	-	0.67	0.59	0.44	-	1.00	0.61	0.47	-	1.00	0.64	0.49	-	1.00	0.66	0.51	-	1.00	1.00	0.57	-
	ΔT	19.47	17.67	14.31	-	19.42	17.62	14.26	-	19.67	17.87	14.51	-	19.40	17.60	14.24	-	19.16	17.36	14.00	-	20.29	18.49	15.13	-
	KW	0.92	0.92	0.92	-	1.04	1.03	1.03	-	1.16	1.16	1.16	-	1.30	1.30	1.30	-	1.45	1.45	1.45	-	1.63	1.63	1.63	-
	Amps	3.50	3.50	3.49	-	4.00	3.99	3.98	-	4.55	4.54	4.53	-	5.14	5.14	5.13	-	5.81	5.80	5.80	-	6.59	6.58	6.58	-
	Hi PR	242	243	245	-	280	281	283	-	320	321	323	-	363	364	366	-	410	411	413	-	459	460	462	-
	Lo PR	131	133	136	-	139	141	144	-	146	148	151	-	152	154	157	-	158	159	163	-	165	167	170	-
	MBh	17.0	17.3	17.8	-	16.9	17.1	17.6	-	16.5	16.7	17.2	-	15.7	15.9	16.4	-	14.8	15.0	15.5	-	13.9	14.2	14.7	-
	S/T	0.73	0.65	0.50	-	0.74	0.65	0.50	-	1.00	0.68	0.53	-	1.00	0.70	0.55	-	1.00	0.73	0.58	-	1.00	1.00	0.63	-
	ΔT	18.38	16.58	13.22	-	18.33	16.53	13.17	-	18.58	16.78	13.42	-	18.31	16.51	13.15	-	18.07	16.27	12.91	-	19.20	17.40	14.04	-
560	KW	0.93	0.93	0.92	-	1.04	1.04	1.04	-	1.17	1.17	1.17	-	1.30	1.30	1.30	-	1.46	1.46	1.46	-	1.64	1.64	1.63	-
	Amps	3.53	3.52	3.52	-	4.02	4.02	4.01	-	4.57	4.57	4.56	-	5.17	5.16	5.16	-	5.83	5.83	5.82	-	6.61	6.61	6.60	-
	Hi PR	244	245	247	-	282	283	285	-	322	323	325	-	365	366	368	-	412	413	415	-	461	463	464	-
	Lo PR	133	135	138	-	141	143	146	-	148	150	153	-	154	156	159	-	160	161	165	-	167	169	172	-
	MBh	17.3	17.5	18.1	-	17.2	17.4	17.9	-	16.7	17.0	17.5	-	16.0	16.2	16.7	-	15.0	15.3	15.8	-	14.2	14.4	14.9	-
	S/T	0.77	0.68	0.53	-	1.00	0.69	0.54	-	1.00	0.72	0.57	-	1.00	0.74	0.59	-	1.00	1.00	0.61	-	1.00	1.00	0.67	-
	ΔT	17.47	15.66	12.30	-	17.42	15.62	12.25	-	17.67	15.87	12.51	-	17.40	15.60	12.24	-	17.16	15.36	11.99	-	18.28	16.48	13.12	-
	KW	0.93	0.93	0.93	-	1.05	1.05	1.04	-	1.17	1.17	1.17	-	1.31	1.31	1.31	-	1.46	1.46	1.46	-	1.64	1.64	1.64	-
	Amps	3.55	3.55	3.54	-	4.04	4.04	4.03	-	4.59	4.59	4.58	-	5.19	5.19	5.18	-	5.85	5.85	5.84	-	6.64	6.63	6.62	-
	Hi PR	246	247	249	-	284	285	287	-	324	325	327	-	367	368	370	-	414	415	417	-	463	465	466	-
Lo PR	135	137	140	-	143	145	148	-	150	152	155	-	156	158	161	-	162	164	167	-	169	171	174	-	
490	MBh	16.8	17.1	17.6	18.3	16.7	16.9	17.4	18.2	16.2	16.5	17.0	17.8	15.5	15.7	16.2	17.0	14.6	14.8	15.3	16.1	13.7	14.0	14.5	15.2
	S/T	0.81	0.72	0.57	0.42	1.00	0.73	0.58	0.42	1.00	0.76	0.61	0.45	1.00	0.78	0.63	0.47	1.00	1.00	0.65	0.50	1.00	1.00	0.71	0.55
	ΔT	23.43	21.63	18.26	14.78	23.38	21.58	18.22	14.73	23.63	21.83	18.47	14.99	23.36	21.56	18.20	14.71	23.12	21.32	17.96	14.47	24.25	22.45	19.08	15.60
	KW	0.92	0.92	0.92	0.93	1.03	1.03	1.03	1.04	1.16	1.16	1.16	1.17	1.30	1.30	1.30	1.30	1.45	1.45	1.45	1.46	1.63	1.63	1.63	1.64
	Amps	3.50	3.50	3.49	3.52	3.99	3.99	3.98	4.02	4.54	4.54	4.53	4.57	5.14	5.13	5.13	5.16	5.80	5.80	5.79	5.83	6.59	6.58	6.57	6.61
	Hi PR	242	243	245	249	280	282	283	287	320	322	323	327	364	365	366	371	410	411	413	417	460	461	462	467
	Lo PR	131	133	136	142	139	141	144	150	146	148	151	157	152	154	157	163	158	160	163	168	165	167	170	176
	MBh	17.1	17.3	17.8	18.6	16.9	17.1	17.6	18.4	16.5	16.7	17.2	18.0	15.7	15.9	16.4	17.2	14.8	15.0	15.5	16.3	13.9	14.2	14.7	15.5
	S/T	0.87	0.79	0.64	0.48	1.00	0.79	0.65	0.49	1.00	0.82	0.67	0.52	1.00	1.00	0.69	0.54	1.00	1.00	0.72	0.56	1.00	1.00	0.78	0.62
	ΔT	22.34	20.54	17.18	13.69	22.29	20.49	17.13	13.65	22.54	20.74	17.38	13.90	22.27	20.47	17.11	13.63	22.03	20.23	16.87	13.39	23.16	21.36	18.00	14.51
560	KW	0.93	0.93	0.92	0.93	1.04	1.04	1.04	1.05	1.17	1.17	1.16	1.17	1.30	1.30	1.30	1.31	1.46	1.46	1.45	1.46	1.64	1.64	1.63	1.64
	Amps	3.52	3.52	3.51	3.55	4.02	4.01	4.01	4.04	4.57	4.56	4.56	4.59	5.16	5.15	5.15	5.19	5.83	5.83	5.82	5.86	6.61	6.61	6.60	6.64
	Hi PR	244	245	247	251	283	284	285	290	323	324	325	330	366	367	368	373	412	413	415	419	462	463	464	469
	Lo PR	133	135	138	144	141	143	146	152	148	150	153	159	154	156	159	165	160	161	165	170	167	169	172	178
	MBh	17.3	17.6	18.1	18.8	17.2	17.4	17.9	18.7	16.7	17.0	17.5	18.2	16.0	16.2	16.7	17.5	15.1	15.3	15.8	16.6	14.2	14.4	14.9	15.7
	S/T	1.00	0.82	0.68	0.52	1.00	0.83	0.68	0.53	1.00	0.86	0.71	0.55	1.00	1.00	0.73	0.58	1.00	1.00	0.76	0.60	1.00	1.00	0.81	0.66
	ΔT	21.42	19.62	16.26	12.78	21.37	19.57	16.21	12.73	21.63	19.83	16.47	12.98	21.36	19.56	16.19	12.71	21.12	19.31	15.95	12.47	22.24	20.44	17.08	13.60
	KW	0.93	0.93	0.93	0.94	1.05	1.04	1.04	1.05	1.17	1.17	1.17	1.18	1.31	1.31	1.31	1.31	1.46	1.46	1.46	1.47	1.64	1.64	1.64	1.65
	Amps	3.55	3.54	3.53	3.57	4.04	4.04	4.03	4.06	4.59	4.59	4.58	4.62	5.19	5.18	5.17	5.21	5.85	5.85	5.84	5.88	6.63	6.63	6.62	6.66
	Hi PR	246	247	249	253	285	286	287	291	325	326	327	332	368	369	370	375	414	415	417	421	464	465	466	471
Lo PR	135	137	140	146	143	145	148	154	150	152	155	161	156	158	161	167	162	164	167	172	169	171	174	180	

IDB: Entering Indoor Dry Bulb Temperature
 High and low pressures are measured at the liquid and suction service valves.
 Shaded area reflects ACCA (TVA) conditions.
 kW = Total system power
 Amps = outdoor unit amps (comp.+fan)

EXPANDED COOLING DATA — GPGM524***41 STAGE 1 (CONT.)

Table with columns for IDB, Airflow, Outdoor Ambient Temperature (65°F, 75°F, 85°F, 95°F, 105°F, 115°F) and various performance metrics (MBh, S/T, ΔT, KW, Amps, Hi PR, Lo PR) for units 490, 560, and 630.

Table with columns for IDB, Airflow, Outdoor Ambient Temperature (65°F, 75°F, 85°F, 95°F, 105°F, 115°F) and various performance metrics (MBh, S/T, ΔT, KW, Amps, Hi PR, Lo PR) for units 490, 560, and 630.

IDB: Entering Indoor Dry Bulb Temperature High and low pressures are measured at the liquid and suction service valves. Shaded area reflects AHRI conditions. Amps = outdoor unit amps (comp.+fan) kW = Total system power

EXPANDED COOLING DATA — GPGM524***41 STAGE 2

IDB	AIRFLOW	OUTDOOR AMBIENT TEMPERATURE																							
		65°F				75°F				85°F				95°F				105°F				115°F			
		59	63	67	71	59	63	67	71	59	63	67	71	59	63	67	71	59	63	67	71	59	63	67	71
700	MBh	23.4	23.7	24.4	-	23.2	23.5	24.2	-	22.6	22.9	23.6	-	21.5	21.9	22.6	-	20.2	20.6	21.3	-	19.1	19.4	20.1	-
	S/T	0.65	0.57	0.42	-	0.65	0.57	0.43	-	0.68	0.60	0.45	-	1.00	0.62	0.47	-	1.00	0.64	0.50	-	1.00	0.70	0.55	-
	ΔT	20.17	18.31	14.83	-	20.12	18.26	14.77	-	20.39	18.52	15.04	-	20.10	18.24	14.76	-	19.86	17.99	14.51	-	21.02	19.16	15.67	-
	KW	1.47	1.46	1.46	-	1.65	1.64	1.64	-	1.85	1.85	1.84	-	2.07	2.06	2.06	-	2.31	2.31	2.30	-	2.59	2.59	2.59	-
	Amps	5.57	5.56	5.55	-	6.35	6.35	6.33	-	7.23	7.22	7.21	-	8.17	8.17	8.16	-	9.23	9.23	9.21	-	10.48	10.47	10.46	-
	Hi PR	253	254	256	-	293	294	296	-	335	336	338	-	380	381	383	-	429	430	432	-	481	482	483	-
Lo PR	128	129	132	-	135	137	140	-	142	144	147	-	148	149	153	-	154	155	158	-	161	162	165	-	
70	MBh	23.7	24.0	24.7	-	23.5	23.8	24.5	-	22.9	23.2	23.9	-	21.8	22.2	22.9	-	20.6	20.9	21.6	-	19.4	19.7	20.4	-
	S/T	0.71	0.63	0.48	-	0.72	0.64	0.49	-	1.00	0.66	0.52	-	1.00	0.68	0.54	-	1.00	0.71	0.56	-	1.00	1.00	0.62	-
	ΔT	19.05	17.18	13.70	-	19.00	17.13	13.65	-	19.26	17.39	13.91	-	18.98	17.11	13.63	-	18.73	16.86	13.38	-	19.90	18.03	14.55	-
	KW	1.47	1.47	1.47	-	1.66	1.65	1.65	-	1.86	1.86	1.85	-	2.07	2.07	2.07	-	2.32	2.32	2.31	-	2.60	2.60	2.60	-
	Amps	5.61	5.60	5.59	-	6.39	6.39	6.37	-	7.27	7.26	7.25	-	8.22	8.21	8.20	-	9.27	9.27	9.25	-	10.52	10.51	10.50	-
	Hi PR	255	256	258	-	295	296	298	-	337	338	340	-	382	383	385	-	431	432	434	-	483	484	486	-
Lo PR	129	131	134	-	137	139	142	-	144	146	149	-	150	151	155	-	155	157	160	-	162	164	167	-	
900	MBh	24.1	24.4	25.1	-	23.9	24.2	24.9	-	23.3	23.6	24.3	-	22.2	22.5	23.2	-	20.9	21.3	21.9	-	19.7	20.1	20.8	-
	S/T	0.75	0.67	0.52	-	0.75	0.67	0.53	-	1.00	0.70	0.55	-	1.00	0.72	0.57	-	1.00	0.74	0.60	-	1.00	1.00	0.65	-
	ΔT	18.10	16.23	12.75	-	18.05	16.18	12.70	-	18.31	16.44	12.96	-	18.03	16.16	12.68	-	17.78	15.91	12.43	-	18.95	17.08	13.60	-
	KW	1.48	1.48	1.48	-	1.66	1.66	1.66	-	1.86	1.86	1.86	-	2.08	2.08	2.08	-	2.33	2.32	2.32	-	2.61	2.61	2.61	-
	Amps	5.64	5.64	5.62	-	6.43	6.42	6.41	-	7.30	7.30	7.28	-	8.25	8.24	8.23	-	9.31	9.30	9.29	-	10.55	10.54	10.53	-
	Hi PR	257	259	260	-	297	298	300	-	339	340	342	-	384	385	387	-	433	434	436	-	485	486	488	-
Lo PR	132	133	136	-	139	141	144	-	146	148	151	-	152	153	157	-	158	159	162	-	165	166	169	-	

700	MBh	23.4	23.7	24.4	25.3	23.2	23.5	24.2	25.3	22.6	22.9	23.6	24.7	21.5	21.9	22.6	23.6	20.3	20.6	21.3	22.4	19.1	19.4	20.1	21.2
	S/T	0.78	0.70	0.56	0.41	1.00	0.71	0.56	0.41	1.00	0.74	0.59	0.44	1.00	0.76	0.61	0.46	1.00	0.76	0.64	0.48	1.00	1.00	0.69	0.54
	ΔT	24.28	22.41	18.93	15.32	24.23	22.36	18.88	15.27	24.49	22.62	19.14	15.53	24.21	22.34	18.86	15.25	23.96	22.09	18.61	15.00	25.13	23.26	19.78	16.17
	KW	1.46	1.46	1.46	1.47	1.64	1.64	1.64	1.65	1.85	1.84	1.84	1.86	2.06	2.06	2.06	2.07	2.31	2.31	2.30	2.32	2.59	2.59	2.59	2.60
	Amps	5.56	5.56	5.54	5.60	6.35	6.34	6.33	6.39	7.22	7.22	7.20	7.26	8.17	8.16	8.15	8.21	9.23	9.22	9.21	9.27	10.47	10.46	10.45	10.51
	Hi PR	253	255	256	261	293	294	296	301	335	336	338	343	380	381	383	388	429	430	432	436	481	482	484	488
Lo PR	128	129	132	138	135	137	140	146	142	144	147	152	148	150	153	158	154	155	158	164	161	162	165	171	
75	MBh	23.7	24.1	24.8	25.8	23.5	23.8	24.5	25.6	22.9	23.2	23.9	25.0	21.8	22.2	22.9	23.9	20.6	20.9	21.6	22.7	19.4	19.7	20.4	21.5
	S/T	0.85	0.77	0.62	0.47	1.00	0.77	0.63	0.48	1.00	0.80	0.66	0.50	1.00	0.82	0.68	0.52	1.00	1.00	0.70	0.55	1.00	1.00	0.75	0.60
	ΔT	23.15	21.28	17.80	14.19	23.10	21.23	17.75	14.14	23.36	21.50	18.01	14.40	23.08	21.21	17.73	14.12	22.83	20.96	17.48	13.87	24.00	22.13	18.65	15.04
	KW	1.47	1.47	1.47	1.48	1.65	1.65	1.65	1.66	1.86	1.85	1.85	1.86	2.07	2.07	2.07	2.08	2.32	2.32	2.31	2.33	2.60	2.60	2.60	2.61
	Amps	5.60	5.60	5.58	5.64	6.39	6.38	6.37	6.43	7.26	7.26	7.24	7.30	8.21	8.20	8.19	8.25	9.27	9.26	9.25	9.31	10.51	10.50	10.49	10.55
	Hi PR	256	257	258	263	296	297	298	303	337	338	340	345	382	384	385	390	431	432	434	438	483	484	486	490
Lo PR	130	131	134	140	137	139	142	148	144	146	149	154	150	151	155	160	155	157	160	166	163	164	167	173	
900	MBh	24.1	24.4	25.1	26.2	23.9	24.2	24.9	26.0	23.3	23.6	24.3	25.4	22.2	22.5	23.2	24.3	20.9	21.3	22.0	23.0	19.8	20.1	20.8	21.9
	S/T	0.88	0.80	0.66	0.51	1.00	0.81	0.67	0.51	1.00	0.84	0.69	0.54	1.00	0.86	0.71	0.56	1.00	1.00	0.74	0.58	1.00	1.00	0.79	0.64
	ΔT	22.20	20.33	16.85	13.24	22.15	20.28	16.80	13.19	22.41	20.55	17.06	13.45	22.13	20.26	16.78	13.17	21.88	20.02	16.53	12.92	23.05	21.18	17.70	14.09
	KW	1.48	1.48	1.48	1.49	1.66	1.66	1.66	1.67	1.86	1.86	1.86	1.87	2.08	2.08	2.08	2.09	2.32	2.32	2.32	2.33	2.61	2.61	2.61	2.62
	Amps	5.64	5.63	5.62	5.68	6.42	6.42	6.40	6.46	7.30	7.29	7.28	7.34	8.24	8.24	8.22	8.28	9.30	9.30	9.28	9.34	10.54	10.54	10.53	10.59
	Hi PR	258	259	261	265	298	299	300	305	339	341	342	347	385	386	387	392	433	434	436	440	485	486	488	492
Lo PR	132	133	136	142	139	141	144	150	146	148	151	156	152	153	157	162	158	159	162	168	165	166	169	175	

IDB: Entering Indoor Dry Bulb Temperature
 High and low pressures are measured at the liquid and suction service valves.
 Shaded area reflects ACCA (TVA) conditions
 kW = Total system power
 Amps = outdoor unit amps (comp.+fan)

EXPANDED COOLING DATA — GPGM530***41 STAGE 1

IDB	AIRFLOW	OUTDOOR AMBIENT TEMPERATURE																							
		65°F				75°F				85°F				95°F				105°F				115°F			
		59	63	67	71	59	63	67	71	59	63	67	71	59	63	67	71	59	63	67	71	59	63	67	71
		ENTERING INDOOR WET BULB TEMPERATURE																							
		21.1	21.4	22.1	-	21.0	21.3	21.9	-	20.4	20.7	21.3	-	19.5	19.8	20.4	-	18.3	18.6	19.2	-	17.2	17.5	18.2	-
		0.61	0.53	0.39	-	0.62	0.54	0.40	-	0.64	0.56	0.42	-	0.66	0.58	0.44	-	1.00	0.61	0.46	-	1.00	0.66	0.52	-
	ΔT	20.06	18.23	14.83	-	20.01	18.18	14.78	-	20.26	18.44	15.03	-	19.99	18.16	14.76	-	19.74	17.92	14.51	-	20.89	19.06	15.66	-
	KW	1.16	1.16	1.16	-	1.30	1.30	1.30	-	1.46	1.46	1.46	-	1.64	1.63	1.63	-	1.83	1.83	1.83	-	2.06	2.05	2.05	-
	Amps	4.37	4.37	4.36	-	5.00	4.99	4.98	-	5.69	5.69	5.67	-	6.44	6.43	6.43	-	7.28	7.28	7.27	-	8.27	8.26	8.25	-
	Hi PR	250	252	253	-	290	291	293	-	332	333	334	-	376	377	379	-	424	425	427	-	476	477	479	-
	Lo PR	123	124	128	-	130	132	135	-	137	138	142	-	142	144	147	-	148	149	153	-	155	156	159	-
		21.5	21.8	22.4	-	21.3	21.6	22.2	-	20.7	21.0	21.7	-	19.8	20.1	20.7	-	18.6	18.9	19.6	-	17.6	17.9	18.5	-
	S/T	0.69	0.61	0.47	-	0.70	0.62	0.48	-	0.73	0.65	0.51	-	1.00	0.67	0.53	-	1.00	0.69	0.55	-	1.00	0.74	0.60	-
	ΔT	18.62	16.80	13.39	-	18.57	16.75	13.34	-	18.83	17.01	13.60	-	18.55	16.73	13.32	-	18.31	16.49	13.08	-	19.45	17.63	14.22	-
	KW	1.17	1.17	1.17	-	1.31	1.31	1.31	-	1.47	1.47	1.47	-	1.65	1.64	1.64	-	1.84	1.84	1.83	-	2.06	2.06	2.06	-
	Amps	4.42	4.41	4.40	-	5.04	5.03	5.02	-	5.73	5.73	5.72	-	6.48	6.48	6.47	-	7.32	7.32	7.31	-	8.31	8.30	8.29	-
	Hi PR	253	254	256	-	293	294	296	-	334	335	337	-	379	380	382	-	427	428	430	-	479	480	481	-
	Lo PR	125	127	130	-	133	134	137	-	139	141	144	-	145	146	149	-	150	152	155	-	157	159	162	-
		22.3	22.6	23.2	-	22.1	22.4	23.0	-	21.5	21.8	22.5	-	20.6	20.9	21.5	-	19.4	19.7	20.3	-	18.4	18.7	19.3	-
	S/T	0.74	0.66	0.52	-	0.75	0.67	0.53	-	1.00	0.69	0.55	-	1.00	0.71	0.57	-	1.00	0.74	0.60	-	1.00	0.79	0.65	-
	ΔT	16.79	14.97	11.56	-	16.74	14.92	11.51	-	17.00	15.17	11.77	-	16.72	14.90	11.49	-	16.48	14.65	11.25	-	17.62	15.80	12.39	-
	KW	1.18	1.18	1.18	-	1.33	1.32	1.32	-	1.48	1.48	1.48	-	1.66	1.66	1.65	-	1.85	1.85	1.85	-	2.08	2.08	2.07	-
	Amps	4.47	4.46	4.45	-	5.09	5.09	5.08	-	5.79	5.78	5.77	-	6.54	6.53	6.52	-	7.38	7.37	7.36	-	8.36	8.36	8.35	-
	Hi PR	258	259	260	-	297	298	300	-	339	340	342	-	383	384	386	-	432	433	434	-	483	484	486	-
	Lo PR	130	131	134	-	137	139	142	-	144	145	148	-	149	151	154	-	155	156	159	-	162	163	166	-

		19.5	19.8	20.4	21.4	19.5	19.8	20.4	21.4	19.5	19.8	20.4	21.4	18.6	18.9	19.6	20.5	17.6	17.9	18.5	19.5
	S/T	1.00	0.72	0.58	0.43	1.00	0.72	0.58	0.43	1.00	0.72	0.58	0.43	1.00	0.82	0.68	0.53	1.00	1.00	0.74	0.59
	ΔT	24.00	22.17	18.77	15.24	24.00	22.17	18.77	15.24	24.00	22.17	18.77	15.24	23.76	21.93	18.53	15.00	24.90	23.07	19.67	16.14
	KW	1.63	1.63	1.63	1.64	1.63	1.63	1.63	1.64	1.63	1.63	1.63	1.64	1.83	1.83	1.82	1.84	2.05	2.05	2.05	2.06
	Amps	6.44	6.43	6.42	6.47	6.44	6.43	6.42	6.47	6.44	6.43	6.42	6.47	7.28	7.27	7.26	7.31	8.26	8.26	8.25	8.29
	Hi PR	376	378	379	384	376	378	379	384	376	378	379	384	425	426	427	432	476	477	479	483
	Lo PR	143	144	147	152	143	144	147	152	143	144	147	152	148	149	153	158	155	156	159	165
		20.1	20.7	21.7	21.7	19.8	20.1	20.7	21.7	19.8	20.1	20.7	21.7	18.6	18.9	19.6	20.5	17.6	17.9	18.5	19.5
	S/T	0.80	0.66	0.51	0.51	1.00	0.80	0.66	0.51	1.00	0.80	0.66	0.51	1.00	0.82	0.68	0.53	1.00	1.00	0.74	0.59
	ΔT	20.74	17.34	13.81	13.81	22.57	20.74	17.34	13.81	22.57	20.74	17.34	13.81	22.32	20.50	17.09	13.56	23.46	21.64	18.23	14.70
	KW	1.64	1.64	1.64	1.65	1.64	1.64	1.64	1.65	1.64	1.64	1.64	1.65	1.84	1.84	1.83	1.84	2.06	2.06	2.06	2.07
	Amps	6.47	6.46	6.46	6.51	6.48	6.47	6.46	6.51	6.48	6.47	6.46	6.51	7.32	7.31	7.30	7.35	8.30	8.30	8.29	8.34
	Hi PR	380	382	386	391	379	380	382	386	379	380	382	386	427	428	430	435	479	480	482	486
	Lo PR	145	149	155	159	145	149	155	159	145	149	155	159	150	152	155	160	157	159	162	167
		20.6	20.9	21.5	22.5	20.6	20.9	21.5	22.5	20.6	20.9	21.5	22.5	19.4	19.7	20.4	21.3	18.4	18.7	19.3	20.3
	S/T	1.00	0.85	0.71	0.56	1.00	0.85	0.71	0.56	1.00	0.85	0.71	0.56	1.00	1.00	0.73	0.58	1.00	1.00	0.78	0.64
	ΔT	20.49	18.66	15.26	11.73	20.49	18.66	15.26	11.73	20.49	18.66	15.26	11.73	20.49	18.66	15.26	11.73	21.63	19.81	16.40	12.87
	KW	1.66	1.66	1.65	1.66	1.66	1.66	1.65	1.66	1.66	1.66	1.65	1.66	1.85	1.85	1.85	1.86	2.08	2.08	2.07	2.08
	Amps	6.53	6.53	6.52	6.56	6.53	6.53	6.52	6.56	6.53	6.53	6.52	6.56	7.37	7.37	7.36	7.40	8.36	8.35	8.34	8.39
	Hi PR	384	385	386	391	384	385	386	391	384	385	386	391	432	433	435	439	483	484	486	490
	Lo PR	149	151	154	159	149	151	154	159	149	151	154	159	155	156	159	165	162	163	166	172

IDB: Entering Indoor Dry Bulb Temperature
 High and low pressures are measured at the liquid and suction service valves.
 Shaded area reflects ACCA (TVA) conditions
 kW = Total system power
 Amps = outdoor unit amps (comp.+fan)

EXPANDED COOLING DATA — GPGM530***41 STAGE 1 (CONT.)

	OUTDOOR AMBIENT TEMPERATURE												ENTERING INDOOR WET BULB TEMPERATURE															
	65°F				75°F				85°F				95°F				105°F				115°F							
IDB	AIRFLOW				59	63	67	71	59	63	67	71	59	63	67	71	59	63	67	71	59	63	67	71	59	63	67	71
560	MBh	21.3	21.6	22.2	23.2	21.1	21.4	22.0	23.0	20.5	20.8	21.5	22.4	19.6	19.9	20.5	21.5	18.4	18.7	19.3	20.3	17.3	17.6	18.3	19.2			
	S/T	1.00	0.80	0.65	0.51	1.00	0.80	0.66	0.51	1.00	0.83	0.69	0.54	1.00	0.85	0.71	0.56	1.00	1.00	0.73	0.58	1.00	1.00	0.78	0.63			
	ΔT	28.11	26.28	22.88	19.35	28.06	26.23	22.83	19.30	28.31	26.49	23.08	19.55	28.04	26.21	22.81	19.28	27.79	25.97	22.56	19.03	28.94	27.11	23.71	20.18			
	KW	1.16	1.16	1.16	1.17	1.30	1.30	1.30	1.31	1.46	1.46	1.46	1.47	1.64	1.63	1.63	1.64	1.73	1.83	1.83	1.84	2.06	2.05	2.05	2.06			
	Amps	4.37	4.37	4.36	4.40	4.99	4.99	4.98	5.03	5.69	5.68	5.67	5.72	6.44	6.44	6.43	6.47	7.28	7.28	7.26	7.31	8.27	8.26	8.25	8.30			
665	Hi PR	251	252	254	258	291	292	294	298	332	333	335	339	377	378	380	384	425	426	428	432	476	478	479	484			
	Lo PR	123	125	128	133	131	132	136	141	137	139	142	147	143	145	148	153	148	150	153	158	155	157	160	165			
	MBh	21.6	21.9	22.5	23.5	21.4	21.7	22.4	23.3	20.9	21.2	21.8	22.8	19.9	20.2	20.9	21.8	18.8	19.1	19.7	20.7	17.7	18.0	18.6	19.6			
	S/T	1.00	0.88	0.74	0.59	1.00	0.89	0.74	0.60	1.00	0.91	0.77	0.62	1.00	1.00	0.85	0.64	1.00	1.00	0.81	0.67	1.00	1.00	0.87	0.72			
	ΔT	26.67	24.85	21.44	17.91	26.62	24.80	21.39	17.86	26.88	25.05	21.65	18.12	26.60	24.78	21.37	17.84	26.36	24.54	21.13	17.60	27.50	25.68	22.27	18.74			
840	KW	1.17	1.17	1.17	1.18	1.31	1.31	1.31	1.32	1.47	1.47	1.48	1.48	1.65	1.64	1.64	1.65	1.84	1.84	1.83	1.85	2.06	2.06	2.06	2.07			
	Amps	4.41	4.41	4.40	4.45	5.04	5.03	5.02	5.07	5.73	5.73	5.72	5.76	6.48	6.48	6.47	6.51	7.32	7.32	7.31	7.35	8.31	8.30	8.29	8.34			
	Hi PR	254	255	257	261	293	295	296	301	335	336	338	342	380	381	382	387	428	429	431	435	479	480	482	486			
	Lo PR	126	127	130	136	133	135	138	143	140	141	144	150	145	147	150	155	151	152	155	161	158	159	162	168			
	MBh	22.4	22.7	23.3	24.3	22.2	22.5	23.1	24.1	21.7	22.0	22.6	23.6	20.7	21.0	21.6	22.6	19.5	19.8	20.5	21.4	18.5	18.8	19.4	20.4			
840	S/T	1.00	0.93	0.79	0.64	1.00	0.93	0.79	0.64	1.00	1.00	0.82	0.67	1.00	1.00	0.84	0.69	1.00	1.00	0.86	0.71	1.00	1.00	0.91	0.77			
	ΔT	24.84	23.01	19.61	16.08	24.79	22.97	19.56	16.03	25.05	23.22	19.82	16.29	24.77	22.95	19.54	16.01	24.53	22.70	19.30	15.77	25.67	23.84	20.44	16.91			
	KW	1.18	1.18	1.18	1.19	1.32	1.32	1.32	1.33	1.48	1.48	1.48	1.49	1.66	1.66	1.65	1.66	1.85	1.85	1.85	1.86	2.08	2.08	2.07	2.08			
	Amps	4.47	4.46	4.45	4.50	5.09	5.09	5.07	5.12	5.78	5.78	5.77	5.82	6.54	6.53	6.52	6.57	7.38	7.37	7.36	7.41	8.36	8.36	8.35	8.39			
	Hi PR	258	259	261	265	298	299	301	305	339	340	342	347	384	385	387	391	432	433	435	439	484	485	486	491			
840	Lo PR	130	132	135	140	138	139	142	148	144	146	149	154	150	151	155	160	155	157	160	165	162	164	167	172			
	MBh	21.6	21.9	22.6	23.5	21.4	21.7	22.4	23.3	20.9	21.2	21.8	22.8	19.9	20.2	20.9	21.8	18.8	19.1	19.7	20.7	17.7	18.0	18.6	19.6			
	S/T	1.00	0.90	0.76	0.61	1.00	0.91	0.77	0.62	1.00	1.00	0.88	0.73	1.00	1.00	0.90	0.75	1.00	1.00	0.92	0.77	1.00	1.00	0.82	0.67			
	ΔT	31.69	29.86	26.46	22.93	31.64	29.81	26.41	22.88	31.89	30.07	26.66	23.13	31.62	29.79	26.39	22.86	31.38	29.55	26.14	22.62	32.52	30.69	27.29	23.76			
	KW	1.16	1.16	1.16	1.17	1.31	1.30	1.30	1.31	1.47	1.46	1.46	1.47	1.64	1.64	1.63	1.65	1.83	1.83	1.83	1.84	2.06	2.06	2.05	2.07			
560	Amps	4.38	4.38	4.37	4.42	5.01	5.00	4.99	5.04	5.70	5.70	5.69	5.73	6.45	6.45	6.44	6.48	7.29	7.29	7.28	7.32	8.28	8.27	8.26	8.31			
	Hi PR	252	253	255	260	292	293	295	299	333	334	336	341	378	379	381	385	426	427	429	433	478	479	481	485			
	Lo PR	125	127	130	135	133	134	137	143	139	141	144	149	145	146	150	155	150	152	155	160	157	159	162	167			
	MBh	22.0	22.3	22.9	23.9	21.8	22.1	22.7	23.7	21.2	21.5	22.2	23.1	20.3	20.6	21.2	22.2	19.1	19.4	20.0	21.0	18.0	18.3	19.0	19.9			
	S/T	1.00	0.98	0.84	0.69	1.00	1.00	0.85	0.70	1.00	1.00	0.88	0.73	1.00	1.00	0.90	0.75	1.00	1.00	0.92	0.77	1.00	1.00	0.82	0.67			
665	ΔT	30.25	28.43	25.02	21.49	30.20	28.38	24.97	21.44	30.46	28.64	25.23	21.70	30.19	28.36	24.95	21.43	29.94	28.12	24.71	21.18	31.08	29.26	25.85	22.32			
	KW	1.17	1.17	1.17	1.18	1.32	1.31	1.31	1.32	1.48	1.47	1.47	1.48	1.65	1.65	1.64	1.66	1.84	1.84	1.84	1.85	2.07	2.07	2.06	2.07			
	Amps	4.43	4.42	4.41	4.46	5.05	5.04	5.03	5.08	5.74	5.74	5.73	5.78	6.49	6.49	6.48	6.53	7.33	7.33	7.32	7.37	8.32	8.31	8.30	8.35			
	Hi PR	255	256	258	262	295	296	297	302	336	337	339	343	381	382	384	388	429	430	432	436	480	481	483	488			
	Lo PR	128	129	132	137	135	137	140	145	142	143	146	152	147	149	152	157	153	154	157	163	159	161	164	169			
840	MBh	22.8	23.1	23.7	24.7	22.6	22.9	23.5	24.5	22.0	22.3	22.9	23.9	21.1	21.4	22.0	23.0	19.9	20.2	20.8	21.8	18.8	19.1	19.8	20.7			
	S/T	1.00	1.00	0.89	0.74	1.00	1.00	0.90	0.75	1.00	1.00	0.92	0.77	1.00	1.00	0.94	0.79	1.00	1.00	0.82	0.67	1.00	1.00	0.82	0.67			
	ΔT	28.42	26.60	23.19	19.66	28.37	26.55	23.14	19.61	28.63	26.80	23.40	19.87	28.35	26.53	23.12	19.59	28.11	26.28	22.88	19.35	29.25	27.43	24.02	20.49			
	KW	1.18	1.18	1.18	1.19	1.33	1.33	1.32	1.33	1.49	1.49	1.48	1.49	1.66	1.66	1.66	1.67	1.85	1.85	1.85	1.86	2.08	2.08	2.08	2.09			
	Amps	4.48	4.48	4.46	4.51	5.10	5.10	5.09	5.13	5.80	5.79	5.78	5.83	6.55	6.54	6.53	6.58	7.39	7.38	7.37	7.42	8.37	8.37	8.36	8.40			
840	Hi PR	259	261	262	267	299	300	302	306	341	342	343	348	385	386	388	392	433	434	436	441	485	486	488	492			
	Lo PR	132	134	137	142	140	141	144	150	146	148	151	156	152	153	156	162	157	159	162	167	164	166	169	174			

IDB: Entering Indoor Dry Bulb Temperature
 High and low pressures are measured at the liquid and suction service valves.
 Shaded area reflects AHRI (TVA) conditions
 KW = Total system power
 Amps = outdoor unit amps (comp.+fan)

EXPANDED COOLING DATA — GPGM536***41 STAGE 1

IDB	AIRFLOW	OUTDOOR AMBIENT TEMPERATURE																													
		65°F						75°F						95°F						105°F						115°F					
		59	63	67	71	75	79	59	63	67	71	75	79	59	63	67	71	75	79	59	63	67	71	75	79	59	63	67	71	75	79
		ENTERING INDOOR WET BULB TEMPERATURE																													
		25.6	26.0	26.7	-	25.4	25.7	26.5	-	24.7	25.1	25.8	-	23.6	23.9	24.7	-	22.1	22.5	23.3	-	20.9	21.2	22.0	-						
		0.66	0.57	0.43	-	0.66	0.58	0.43	-	1.00	0.61	0.46	-	1.00	0.63	0.48	-	1.00	0.65	0.51	-	1.00	1.00	0.56	-						
		19.54	17.74	14.36	-	19.49	17.69	14.31	-	19.75	17.94	14.57	-	19.47	17.67	14.29	-	19.23	17.43	14.05	-	20.36	18.56	15.18	-						
735	KW	1.44	1.44	1.44	-	1.60	1.60	1.60	-	1.78	1.78	1.78	-	1.98	1.97	1.97	-	2.19	2.19	2.19	-	2.45	2.45	2.45	-						
	Amps	5.07	5.06	5.05	-	5.77	5.77	5.75	-	6.55	6.55	6.54	-	7.40	7.40	7.38	-	8.35	8.34	8.33	-	9.46	9.45	9.44	-						
	Hi PR	245	246	248	-	284	285	287	-	324	325	327	-	368	369	371	-	415	416	418	-	465	466	468	-						
	Lo PR	130	131	134	-	137	139	142	-	144	146	149	-	150	152	155	-	156	157	161	-	163	165	168	-						
		25.9	26.3	27.1	-	25.7	26.1	26.8	-	25.0	25.4	26.2	-	23.9	24.3	25.0	-	22.5	22.8	23.6	-	21.2	21.6	22.3	-						
		0.72	0.64	0.49	-	0.73	0.65	0.50	-	1.00	0.67	0.53	-	1.00	0.69	0.55	-	1.00	0.72	0.57	-	1.00	1.00	0.63	-						
		18.45	16.64	13.27	-	18.40	16.59	13.22	-	18.66	16.85	13.47	-	18.38	16.58	13.20	-	18.14	16.33	12.96	-	19.27	17.47	14.09	-						
840	KW	1.45	1.45	1.44	-	1.61	1.61	1.61	-	1.79	1.79	1.79	-	1.98	1.98	1.98	-	2.20	2.20	2.20	-	2.46	2.46	2.45	-						
	Amps	5.11	5.10	5.09	-	5.81	5.80	5.79	-	6.59	6.59	6.57	-	7.44	7.43	7.42	-	8.39	8.38	8.37	-	9.50	9.49	9.48	-						
	Hi PR	247	248	250	-	286	287	289	-	326	327	329	-	370	371	373	-	417	418	420	-	467	468	470	-						
	Lo PR	131	133	136	-	139	141	144	-	146	148	151	-	152	154	157	-	158	159	163	-	165	167	170	-						
		26.3	26.7	27.5	-	26.1	26.5	27.2	-	25.4	25.8	26.6	-	24.3	24.7	25.4	-	22.9	23.3	24.0	-	21.6	22.0	22.7	-						
		0.76	0.67	0.53	-	0.76	0.68	0.53	-	1.00	0.71	0.56	-	1.00	0.73	0.58	-	1.00	0.75	0.61	-	1.00	1.00	0.66	-						
		17.53	15.72	12.35	-	17.48	15.67	12.30	-	17.74	15.93	12.55	-	17.46	15.66	12.28	-	17.22	15.41	12.04	-	18.35	16.55	13.17	-						
945	KW	1.46	1.45	1.45	-	1.62	1.62	1.61	-	1.80	1.80	1.79	-	1.99	1.99	1.99	-	2.21	2.21	2.21	-	2.46	2.46	2.46	-						
	Amps	5.14	5.13	5.12	-	5.84	5.83	5.82	-	6.62	6.62	6.60	-	7.47	7.46	7.45	-	8.42	8.41	8.40	-	9.53	9.52	9.51	-						
	Hi PR	249	250	252	-	288	289	291	-	328	329	331	-	372	373	375	-	419	420	422	-	469	470	472	-						
	Lo PR	134	135	138	-	141	143	146	-	148	150	153	-	154	156	159	-	160	162	165	-	167	169	172	-						

		25.6	26.0	26.7	27.9	25.4	25.7	26.5	27.7	24.7	25.1	25.8	27.0	23.6	23.9	24.7	25.9	22.5	22.9	23.6	24.8	20.9	21.2	22.0	23.2
		0.80	0.71	0.57	0.41	1.00	0.72	0.57	0.42	1.00	0.75	0.60	0.45	1.00	0.77	0.62	0.47	1.00	1.00	0.65	0.49	1.00	1.00	0.70	0.55
		23.52	21.71	18.33	14.84	23.47	21.66	18.29	14.79	23.72	21.91	18.54	15.04	23.45	21.64	18.27	14.77	23.21	21.40	18.03	14.53	24.34	22.53	19.16	15.66
735	KW	1.44	1.44	1.43	1.45	1.60	1.60	1.60	1.61	1.78	1.78	1.78	1.79	1.97	1.97	1.97	1.98	2.19	2.19	2.19	2.20	2.45	2.45	2.44	2.46
	Amps	5.07	5.06	5.05	5.10	5.77	5.76	5.75	5.80	6.55	6.54	6.53	6.59	7.40	7.39	7.38	7.43	8.34	8.34	8.33	8.38	9.45	9.45	9.44	9.49
	Hi PR	245	246	248	252	284	285	287	291	325	326	327	332	368	369	371	375	415	416	418	422	465	466	468	472
	Lo PR	130	131	134	140	137	139	142	148	144	146	149	155	150	152	155	161	156	158	161	166	163	165	168	174
		26.0	26.3	27.1	28.2	25.7	26.1	26.9	28.0	25.1	25.4	26.2	27.4	23.9	24.3	25.0	26.2	22.5	22.9	23.6	24.8	21.2	21.6	22.3	23.5
		0.86	0.78	0.63	0.48	1.00	0.78	0.64	0.48	1.00	0.81	0.67	0.51	1.00	0.83	0.69	0.53	1.00	1.00	0.71	0.56	1.00	1.00	0.77	0.61
		22.42	20.62	17.24	13.75	22.38	20.57	17.19	13.70	22.63	20.82	17.45	13.95	22.36	20.55	17.17	13.68	22.12	20.31	16.93	13.44	23.25	21.44	18.06	14.57
840	KW	1.45	1.45	1.44	1.46	1.61	1.61	1.60	1.62	1.79	1.79	1.78	1.80	1.98	1.98	1.98	1.99	2.20	2.20	2.20	2.21	2.46	2.46	2.45	2.46
	Amps	5.10	5.10	5.08	5.14	5.80	5.80	5.79	5.84	6.59	6.58	6.57	6.62	7.43	7.43	7.42	7.47	8.38	8.37	8.36	8.42	9.49	9.49	9.47	9.53
	Hi PR	247	248	250	254	286	287	289	293	327	328	329	334	370	371	373	377	417	418	420	424	467	469	470	475
	Lo PR	131	133	136	142	139	141	144	150	146	148	151	157	152	154	157	163	158	159	163	168	165	167	170	175
		26.4	26.7	27.5	28.7	26.1	26.5	27.3	28.4	25.5	25.8	26.6	27.8	24.3	24.7	25.4	26.6	22.9	23.3	24.0	25.2	21.6	22.0	22.7	23.9
		1.00	0.81	0.67	0.51	1.00	0.82	0.67	0.52	1.00	0.85	0.70	0.55	1.00	1.00	0.72	0.57	1.00	1.00	0.75	0.59	1.00	1.00	0.80	0.65
		21.51	19.70	16.32	12.83	21.46	19.65	16.27	12.78	21.71	19.90	16.53	13.03	21.44	19.63	16.26	12.76	21.20	19.39	16.01	12.52	22.33	20.52	17.15	13.65
945	KW	1.45	1.45	1.45	1.46	1.62	1.61	1.61	1.62	1.80	1.79	1.79	1.80	1.99	1.99	1.99	2.00	2.21	2.21	2.20	2.22	2.46	2.46	2.46	2.47
	Amps	5.13	5.13	5.11	5.17	5.83	5.83	5.82	5.87	6.62	6.61	6.60	6.65	7.46	7.46	7.45	7.50	8.41	8.41	8.39	8.45	9.52	9.52	9.50	9.56
	Hi PR	249	250	252	256	288	289	291	295	329	330	331	336	372	373	375	379	419	420	422	426	469	471	472	477
	Lo PR	134	135	138	144	141	143	146	152	148	150	153	159	154	156	159	165	160	162	165	170	167	169	172	178

IDB: Entering Indoor Dry Bulb Temperature
 High and low pressures are measured at the liquid and suction service valves.
 Shaded area reflects ACCA (TVA) conditions
 kW = Total system power
 Amps = outdoor unit amps (comp.+fan)

EXPANDED COOLING DATA — GPGM536***41 STAGE 2 (CONT.)

IDB	AIRFLOW	OUTDOOR AMBIENT TEMPERATURE												ENTERING INDOOR WET BULB TEMPERATURE											
		65°F				75°F				85°F				95°F				105°F				115°F			
		59	63	67	71	59	63	67	71	59	63	67	71	59	63	67	71	59	63	67	71	59	63	67	71
80	MBh	35.8	36.3	37.4	39.0	35.5	36.0	37.1	38.7	34.6	35.1	36.1	37.8	33.0	33.5	34.5	36.2	31.0	31.5	32.6	34.2	29.2	29.7	30.8	32.4
	S/T	1.00	0.83	0.68	0.53	1.00	0.83	0.69	0.54	1.00	0.86	0.72	0.57	1.00	1.00	0.74	0.59	1.00	1.00	0.76	0.61	1.00	1.00	0.81	0.66
	ΔT	28.52	26.64	23.15	19.52	28.46	26.59	23.09	19.47	28.73	26.85	23.36	19.73	28.44	26.57	23.08	19.45	28.19	26.32	22.82	19.20	29.37	27.49	24.00	20.37
	KW	2.29	2.29	2.28	2.30	2.55	2.54	2.54	2.56	2.82	2.83	2.82	2.84	3.14	3.14	3.14	3.15	3.49	3.49	3.48	3.50	3.89	3.89	3.89	3.91
	Amps	8.06	8.05	8.03	8.12	9.17	9.17	9.15	9.23	10.42	10.41	10.39	10.48	11.77	11.76	11.74	11.82	13.27	13.26	13.24	13.33	15.04	15.03	15.01	15.09
1050	Hi PR	257	258	260	264	298	299	300	305	340	341	343	347	386	387	388	393	435	436	438	442	487	488	490	495
	Lo PR	127	128	131	137	134	136	139	144	141	143	146	151	147	148	151	157	152	154	157	162	159	161	164	169
	MBh	36.3	36.8	37.8	39.5	36.0	36.5	37.5	39.2	35.0	35.5	36.6	38.2	33.4	33.9	35.0	36.6	31.5	32.0	33.0	34.7	29.7	30.2	31.3	32.9
	S/T	1.00	0.89	0.75	0.60	1.00	0.90	0.75	0.60	1.00	0.92	0.78	0.63	1.00	1.00	0.80	0.65	1.00	1.00	0.82	0.67	1.00	1.00	0.88	0.73
	ΔT	27.38	25.51	22.01	18.39	27.33	25.46	21.96	18.34	27.60	25.72	22.23	18.60	27.31	25.44	21.94	18.32	27.06	25.19	21.69	18.07	28.24	26.36	22.87	19.24
1200	KW	2.30	2.30	2.30	2.32	2.56	2.56	2.55	2.57	2.84	2.84	2.84	2.86	3.15	3.15	3.15	3.17	3.50	3.50	3.49	3.51	3.91	3.90	3.90	3.92
	Amps	8.12	8.11	8.09	8.17	9.23	9.22	9.20	9.29	10.48	10.47	10.45	10.53	11.82	11.82	11.80	11.88	13.33	13.32	13.30	13.39	15.10	15.09	15.07	15.15
	Hi PR	259	260	262	267	300	301	303	307	342	343	345	349	388	389	391	395	437	438	440	444	489	491	492	497
	Lo PR	128	130	133	139	136	138	141	146	143	144	148	153	149	150	153	159	154	156	159	164	161	163	166	171
	MBh	36.8	37.3	38.4	40.0	36.5	37.0	38.1	39.7	35.6	36.1	37.2	38.8	34.0	34.5	35.6	37.2	32.0	32.5	33.6	35.2	30.3	30.8	31.8	33.4
1350	S/T	1.00	0.93	0.78	0.63	1.00	0.93	0.79	0.64	1.00	1.00	0.82	0.66	1.00	1.00	0.84	0.69	1.00	1.00	0.86	0.71	1.00	1.00	1.00	0.76
	ΔT	26.43	24.56	21.06	17.44	26.38	24.51	21.01	17.39	26.64	24.77	21.27	17.65	26.36	24.49	20.99	17.37	26.11	24.24	20.74	17.12	27.28	25.41	21.91	18.29
	KW	2.31	2.31	2.31	2.33	2.57	2.57	2.56	2.58	2.86	2.85	2.85	2.87	3.17	3.16	3.16	3.18	3.51	3.51	3.51	3.53	3.92	3.92	3.91	3.93
	Amps	8.17	8.16	8.14	8.22	9.28	9.27	9.25	9.34	10.53	10.52	10.50	10.58	11.87	11.86	11.84	11.93	13.38	13.37	13.35	13.44	15.14	15.14	15.12	15.20
	Hi PR	261	262	264	269	302	303	305	309	344	345	347	352	390	391	393	397	439	440	442	446	492	493	494	499
Lo PR	131	132	135	141	138	140	143	148	145	146	150	155	151	152	155	161	156	158	161	166	163	165	168	173	

1050	MBh	36.4	36.9	38.0	39.6	36.1	36.6	37.7	39.3	35.2	35.7	36.7	38.4	33.6	34.1	35.1	36.8	31.6	32.1	33.2	34.8	29.8	30.3	31.4	33.0
	S/T	1.00	0.93	0.79	0.64	1.00	1.00	0.80	0.65	1.00	1.00	0.82	0.67	1.00	1.00	0.84	0.69	1.00	1.00	0.86	0.72	1.00	1.00	1.00	0.77
	ΔT	32.19	30.32	26.82	23.20	32.14	30.27	26.77	23.15	32.40	30.53	27.03	23.41	32.12	30.25	26.75	23.13	31.87	30.00	26.50	22.88	33.04	31.17	27.67	24.05
	KW	2.29	2.29	2.29	2.31	2.55	2.55	2.54	2.56	2.84	2.83	2.83	2.85	3.15	3.14	3.14	3.16	3.49	3.49	3.49	3.51	3.90	3.90	3.89	3.91
	Amps	8.08	8.07	8.05	8.14	9.20	9.19	9.17	9.25	10.44	10.43	10.41	10.50	11.79	11.78	11.76	11.85	13.29	13.28	13.26	13.35	15.06	15.05	15.03	15.12
85	Hi PR	258	259	261	266	299	300	302	306	341	342	344	349	387	388	390	394	436	437	439	443	488	490	491	496
	Lo PR	128	130	133	139	136	138	141	146	143	144	148	153	149	150	153	159	154	156	159	164	161	163	166	171
	MBh	36.9	37.4	38.4	40.1	36.6	37.1	38.1	39.8	35.6	36.1	37.2	38.8	34.0	34.5	35.6	37.2	32.1	32.6	33.6	35.3	30.3	30.8	31.9	33.5
	S/T	1.00	1.00	0.85	0.70	1.00	1.00	0.86	0.71	1.00	1.00	0.89	0.74	1.00	1.00	0.91	0.76	1.00	1.00	1.00	0.78	1.00	1.00	1.00	0.83
	ΔT	31.06	29.19	25.69	22.07	31.01	29.14	25.64	22.02	31.27	29.40	25.90	22.28	30.99	29.12	25.62	22.00	30.74	28.87	25.37	21.75	31.91	30.04	26.54	22.92
1200	KW	2.31	2.30	2.30	2.32	2.56	2.56	2.56	2.58	2.85	2.85	2.84	2.86	3.16	3.16	3.15	3.17	3.51	3.50	3.50	3.52	3.91	3.91	3.91	3.93
	Amps	8.14	8.13	8.11	8.20	9.25	9.24	9.23	9.31	10.50	10.49	10.47	10.56	11.85	11.84	11.82	11.90	13.35	13.34	13.32	13.41	15.12	15.11	15.09	15.17
	Hi PR	260	262	263	268	301	302	304	308	343	344	346	351	389	390	392	396	438	439	441	446	491	492	494	498
	Lo PR	130	132	135	140	138	140	143	148	145	146	149	155	150	152	155	161	156	158	161	166	163	165	168	173
	MBh	37.4	37.9	39.0	40.6	37.1	37.6	38.7	40.3	36.2	36.7	37.8	39.4	34.6	35.1	36.2	37.8	32.6	33.1	34.2	35.8	30.9	31.4	32.4	34.0
1350	S/T	1.00	1.00	0.89	0.74	1.00	1.00	0.90	0.75	1.00	1.00	0.92	0.77	1.00	1.00	0.94	0.79	1.00	1.00	1.00	0.82	1.00	1.00	1.00	0.87
	ΔT	30.11	28.24	24.74	21.12	30.06	28.18	24.69	21.06	30.32	28.45	24.95	21.33	30.04	28.17	24.67	21.05	29.79	27.91	24.42	20.80	30.96	29.09	25.59	21.97
	KW	2.32	2.32	2.31	2.33	2.57	2.57	2.57	2.59	2.86	2.86	2.85	2.87	3.17	3.17	3.16	3.18	3.52	3.51	3.51	3.53	3.92	3.92	3.92	3.94
	Amps	8.19	8.18	8.16	8.24	9.30	9.29	9.27	9.36	10.55	10.54	10.52	10.60	11.89	11.89	11.87	11.95	13.40	13.39	13.37	13.46	15.17	15.16	15.14	15.22
	Hi PR	263	264	265	270	303	304	306	310	345	347	348	353	391	392	394	398	440	441	443	448	493	494	496	500
Lo PR	132	134	137	143	140	142	145	150	147	148	152	157	152	154	157	163	158	160	163	168	165	167	170	175	

IDB: Entering Indoor Dry Bulb Temperature
 High and low pressures are measured at the liquid and suction service valves.
 Shaded area reflects AHRI (TVA) conditions
 KW = Total system power
 Amps = outdoor unit amps (comp.+fan)

EXPANDED COOLING DATA — GPGM542***41 STAGE 1

IDB	AIRFLOW	OUTDOOR AMBIENT TEMPERATURE																																
		65°F					75°F					85°F					95°F					105°F					115°F							
		59	63	67	71	75	59	63	67	71	75	59	63	67	71	75	59	63	67	71	75	59	63	67	71	75	59	63	67	71	75			
70	770	MBh	30.0	30.4	31.3	-	29.7	30.2	31.1	-	29.0	29.4	30.3	-	27.6	28.0	28.9	-	26.0	26.4	27.3	-	24.5	24.9	25.8	-	22.9	23.3	24.2	-	21.2	21.6	22.5	-
		S/T	1.00	1.00	1.00	-	1.00	1.00	1.00	-	1.00	1.00	1.00	-	1.00	1.00	1.00	-	1.00	1.00	1.00	-	1.00	1.00	1.00	-	1.00	1.00	1.00	-	1.00	1.00	1.00	-
		ΔT	20.27	18.39	14.88	-	20.21	18.34	14.83	-	20.48	18.60	15.09	-	20.19	18.32	14.81	-	19.94	18.06	14.56	-	19.67	17.79	14.28	-	19.40	17.52	14.01	-	19.12	17.24	13.73	-
		KW	1.66	1.66	1.66	-	1.86	1.86	1.86	-	2.08	2.08	2.08	-	2.32	2.32	2.32	-	2.58	2.58	2.58	-	2.89	2.89	2.89	-	3.20	3.20	3.20	-	3.51	3.51	3.51	-
		Amps	5.94	5.93	5.92	-	6.79	6.78	6.77	-	7.74	7.73	7.72	-	8.77	8.76	8.75	-	9.92	9.91	9.90	-	11.27	11.26	11.25	-	12.62	12.61	12.60	-	14.00	13.99	13.98	-
70	875	Hi PR	255	256	258	-	296	297	298	-	338	339	341	-	383	384	386	-	432	433	435	-	484	486	487	-	536	537	538	-	594	595	596	-
		Lo PR	128	129	133	-	136	137	141	-	142	144	147	-	148	150	153	-	154	155	159	-	161	163	166	-	169	171	174	-				
		MBh	30.4	30.8	31.7	-	30.1	30.5	31.4	-	29.3	29.8	30.7	-	28.0	28.4	29.3	-	26.3	26.8	27.7	-	24.8	25.3	26.2	-	23.3	23.8	24.7	-				
		S/T	1.00	1.00	1.00	-	1.00	1.00	1.00	-	1.00	1.00	1.00	-	1.00	1.00	1.00	-	1.00	1.00	1.00	-	1.00	1.00	1.00	-	1.00	1.00	1.00	-				
		ΔT	19.18	17.30	13.79	-	19.13	17.25	13.74	-	19.39	17.51	14.01	-	19.11	17.23	13.72	-	18.86	16.98	13.47	-	18.59	16.71	13.20	-	18.32	16.44	12.93	-				
70	980	KW	1.67	1.67	1.67	-	1.87	1.87	1.87	-	2.09	2.09	2.08	-	2.33	2.32	2.32	-	2.59	2.59	2.58	-	2.90	2.90	2.89	-	3.21	3.21	3.20	-				
		Amps	5.98	5.97	5.96	-	6.83	6.83	6.81	-	7.78	7.78	7.76	-	8.81	8.80	8.79	-	9.96	9.95	9.94	-	11.31	11.30	11.29	-								
		Hi PR	257	258	260	-	298	299	301	-	340	341	343	-	385	386	388	-	434	435	437	-	487	488	489	-								
		Lo PR	130	131	135	-	137	139	142	-	144	146	149	-	150	152	155	-	156	157	161	-	163	164	168	-								
		MBh	30.8	31.3	32.2	-	30.6	31.0	31.9	-	29.8	30.2	31.1	-	28.4	28.9	29.8	-	26.8	27.2	28.1	-	25.3	25.7	26.6	-								
75	770	S/T	1.00	1.00	1.00	-	1.00	1.00	1.00	-	1.00	1.00	1.00	-	1.00	1.00	1.00	-	1.00	1.00	1.00	-	1.00	1.00	1.00	-								
		ΔT	18.26	16.38	12.87	-	18.21	16.33	12.82	-	18.47	16.59	13.09	-	18.19	16.31	12.80	-	17.94	16.06	12.55	-	17.69	15.81	12.30	-								
		KW	1.68	1.68	1.68	-	1.88	1.88	1.87	-	2.10	2.10	2.09	-	2.33	2.33	2.33	-	2.60	2.60	2.59	-	2.91	2.91	2.90	-								
		Amps	6.02	6.01	6.00	-	6.87	6.86	6.85	-	7.82	7.81	7.80	-	8.85	8.84	8.83	-	10.00	9.99	9.97	-	11.34	11.34	11.32	-								
		Hi PR	259	260	262	-	300	301	303	-	342	343	345	-	387	388	390	-	436	437	439	-	489	490	491	-								
75	875	Lo PR	132	133	137	-	139	141	144	-	146	148	151	-	152	154	157	-	158	159	163	-	165	166	170	-								
		MBh	30.0	30.4	31.3	32.7	29.8	30.2	31.1	32.4	29.0	29.4	30.3	31.7	27.6	28.0	28.9	30.3	26.0	26.4	27.3	28.7	24.5	24.9	25.8	27.2								
		S/T	1.00	1.00	1.00	1.00	1.00	1.00	1.00	1.00	1.00	1.00	1.00	1.00	1.00	1.00	1.00	1.00	1.00	1.00	1.00	1.00	1.00	1.00	1.00	1.00								
		ΔT	24.40	22.52	19.01	15.38	24.34	22.47	18.96	15.32	24.61	22.73	19.22	15.59	24.33	22.45	18.94	15.30	24.07	22.20	18.69	15.05	23.80	21.92	18.41	14.76								
		KW	1.66	1.66	1.66	1.67	1.86	1.86	1.85	1.87	2.08	2.08	2.07	2.09	2.31	2.31	2.31	2.32	2.58	2.58	2.57	2.59	2.89	2.89	2.88	2.90								
75	980	Amps	5.93	5.93	5.91	5.98	6.78	6.78	6.76	6.83	7.74	7.73	7.71	7.78	8.76	8.76	8.74	8.81	9.91	9.91	9.89	9.96	11.26	11.25	11.24	11.30								
		Hi PR	256	257	258	263	296	297	299	303	338	339	341	345	383	385	386	391	432	433	435	440	485	486	488	492								
		Lo PR	128	130	133	138	136	137	141	146	143	144	147	153	148	150	153	159	154	156	159	164	161	163	166	171								
		MBh	30.4	30.8	31.7	33.1	30.1	30.6	31.5	32.8	29.4	29.8	30.7	32.0	28.0	28.4	29.3	30.7	26.4	26.8	27.7	29.0	24.9	25.3	26.2	27.5								
		S/T	1.00	1.00	1.00	1.00	1.00	1.00	1.00	1.00	1.00	1.00	1.00	1.00	1.00	1.00	1.00	1.00	1.00	1.00	1.00	1.00	1.00	1.00	1.00	1.00								

IDB: Entering Indoor Dry Bulb Temperature
 High and low pressures are measured at the liquid and suction service valves.
 Shaded area reflects ACCA (TVA) conditions
 kW = Total system power
 Amps = outdoor unit amps (comp. + fan)

EXPANDED COOLING DATA — GPGM542***41 STAGE 1 (CONT.)

IDB		OUTDOOR AMBIENT TEMPERATURE																							
		65°F				75°F				85°F				95°F				105°F				115°F			
		59	63	67	71	59	63	67	71	59	63	67	71	59	63	67	71	59	63	67	71	59	63	67	71
MBh	30.2	30.6	31.5	32.9	29.9	30.3	31.2	32.6	29.1	29.6	30.4	31.8	27.8	28.2	29.1	30.5	26.1	26.6	27.5	28.8	24.6	25.1	25.9	27.3	
S/T	1.00	1.00	1.00	1.00	1.00	1.00	1.00	1.00	1.00	1.00	1.00	1.00	1.00	1.00	1.00	1.00	1.00	1.00	1.00	1.00	1.00	1.00	1.00	1.00	
ΔT	28.56	26.68	23.17	19.53	28.50	26.63	23.12	19.48	28.77	26.89	23.38	19.75	28.48	26.61	23.10	19.46	28.23	26.35	22.85	19.21	29.41	27.53	24.02	20.39	
KW	1.66	1.66	1.66	1.67	1.86	1.86	1.86	1.87	2.08	2.08	2.07	2.09	2.32	2.31	2.31	2.33	2.58	2.58	2.57	2.59	2.89	2.89	2.88	2.90	
Amps	5.94	5.93	5.92	5.98	6.79	6.78	6.77	6.83	7.74	7.73	7.72	7.78	8.77	8.76	8.75	8.81	9.92	9.91	9.90	9.96	11.27	11.26	11.24	11.31	
Hi PR	256	257	259	263	296	297	299	304	338	340	341	346	384	385	387	391	433	434	436	440	485	486	488	492	
Lo PR	128	130	133	139	136	138	141	147	143	145	148	153	149	150	154	159	154	156	159	165	162	163	166	172	
MBh	30.6	31.0	31.9	33.2	30.3	30.7	31.6	33.0	29.5	29.9	30.8	32.2	28.2	28.6	29.5	30.8	26.5	26.9	27.8	29.2	25.0	25.4	26.3	27.7	
S/T	1.00	1.00	1.00	1.00	1.00	1.00	1.00	1.00	1.00	1.00	1.00	1.00	1.00	1.00	1.00	1.00	1.00	1.00	1.00	1.00	1.00	1.00	1.00	1.00	
ΔT	27.47	25.59	22.08	18.45	27.42	25.54	22.03	18.40	27.68	25.80	22.30	18.66	27.40	25.52	22.01	18.38	27.15	25.27	21.76	18.13	28.32	26.45	22.94	19.30	
KW	1.67	1.67	1.67	1.68	1.87	1.87	1.87	1.88	2.09	2.09	2.08	2.10	2.33	2.32	2.32	2.34	2.59	2.59	2.58	2.60	2.90	2.90	2.89	2.91	
Amps	5.98	5.97	5.96	6.02	6.83	6.82	6.81	6.88	7.78	7.78	7.76	7.83	8.81	8.80	8.79	8.85	9.96	9.95	9.94	10.00	11.31	11.30	11.29	11.35	
Hi PR	258	259	261	265	298	299	301	306	341	342	343	348	386	387	389	393	435	436	438	442	487	488	490	495	
Lo PR	130	132	135	141	138	140	143	148	145	146	150	155	151	152	155	161	156	158	161	167	163	165	168	174	
MBh	31.0	31.4	32.3	33.7	30.7	31.2	32.1	33.4	30.0	30.4	31.3	32.6	28.6	29.0	29.9	31.3	27.0	27.4	28.3	29.7	25.5	25.9	26.8	28.1	
S/T	1.00	1.00	1.00	1.00	1.00	1.00	1.00	1.00	1.00	1.00	1.00	1.00	1.00	1.00	1.00	1.00	1.00	1.00	1.00	1.00	1.00	1.00	1.00	1.00	
ΔT	26.55	24.67	21.16	17.53	26.50	24.62	21.11	17.48	26.76	24.88	21.38	17.74	26.48	24.60	21.09	17.46	26.23	24.35	20.84	17.21	27.41	25.53	22.02	18.38	
KW	1.68	1.68	1.68	1.69	1.88	1.88	1.87	1.89	2.10	2.10	2.09	2.11	2.33	2.33	2.33	2.34	2.60	2.60	2.59	2.61	2.91	2.91	2.90	2.92	
Amps	6.02	6.01	5.99	6.06	6.87	6.86	6.85	6.91	7.82	7.81	7.80	7.86	8.85	8.84	8.82	8.89	10.00	9.99	9.97	10.04	11.34	11.34	11.32	11.39	
Hi PR	260	261	263	267	300	301	303	308	343	344	345	350	388	389	391	395	437	438	440	444	489	490	492	497	
Lo PR	132	134	137	143	140	142	145	150	147	148	152	157	153	154	157	163	158	160	163	169	165	167	170	176	

IDB		OUTDOOR AMBIENT TEMPERATURE																							
		65°F				75°F				85°F				95°F				105°F				115°F			
		59	63	67	71	59	63	67	71	59	63	67	71	59	63	67	71	59	63	67	71	59	63	67	71
MBh	30.7	31.1	32.0	33.4	30.4	30.8	31.7	33.1	29.6	30.1	31.0	32.3	28.3	28.7	29.6	31.0	26.6	27.1	28.0	29.3	25.1	25.6	26.5	27.8	
S/T	1.00	1.00	1.00	1.00	1.00	1.00	1.00	1.00	1.00	1.00	1.00	1.00	1.00	1.00	1.00	1.00	1.00	1.00	1.00	1.00	1.00	1.00	1.00	1.00	
ΔT	32.24	30.37	26.86	23.22	32.19	30.31	26.81	23.17	32.46	30.58	27.07	23.44	32.17	30.29	26.79	23.15	31.92	30.04	26.54	22.90	33.10	31.22	27.71	24.08	
KW	1.67	1.67	1.66	1.68	1.86	1.86	1.86	1.87	2.08	2.08	2.08	2.09	2.32	2.32	2.31	2.33	2.58	2.58	2.58	2.59	2.89	2.89	2.89	2.90	
Amps	5.95	5.95	5.93	6.00	6.81	6.80	6.78	6.85	7.76	7.75	7.73	7.80	8.78	8.78	8.76	8.83	9.93	9.93	9.91	9.98	11.28	11.27	11.26	11.33	
Hi PR	257	258	260	265	297	299	300	305	340	341	343	347	385	386	388	392	434	435	437	441	486	487	489	494	
Lo PR	130	132	135	141	138	140	143	148	145	147	150	155	151	152	156	161	156	158	161	167	163	165	168	174	
MBh	31.1	31.5	32.4	33.8	30.8	31.2	32.1	33.5	30.0	30.4	31.3	32.7	28.7	29.1	30.0	31.4	27.0	27.4	28.3	29.7	25.5	25.9	26.8	28.2	
S/T	1.00	1.00	1.00	1.00	1.00	1.00	1.00	1.00	1.00	1.00	1.00	1.00	1.00	1.00	1.00	1.00	1.00	1.00	1.00	1.00	1.00	1.00	1.00	1.00	
ΔT	31.16	29.28	25.77	22.14	31.11	29.23	25.72	22.09	31.37	29.49	25.98	22.35	31.09	29.21	25.70	22.07	30.84	28.96	25.45	21.82	32.01	30.13	26.63	22.99	
KW	1.68	1.68	1.67	1.69	1.87	1.87	1.87	1.88	2.09	2.09	2.09	2.10	2.33	2.33	2.32	2.34	2.59	2.59	2.59	2.60	2.90	2.90	2.90	2.91	
Amps	6.00	5.99	5.98	6.04	6.85	6.84	6.83	6.89	7.80	7.79	7.78	7.84	8.83	8.82	8.81	8.87	9.98	9.97	9.95	10.02	11.32	11.32	11.30	11.37	
Hi PR	259	260	262	267	300	301	302	307	342	343	345	349	387	388	390	395	436	437	439	443	488	490	491	496	
Lo PR	132	134	137	142	140	142	145	150	147	148	152	157	153	154	157	163	158	160	163	168	165	167	170	176	
MBh	31.5	31.9	32.8	34.2	31.2	31.7	32.6	33.9	30.5	30.9	31.8	33.2	29.1	29.5	30.4	31.8	27.5	27.9	28.8	30.2	26.0	26.4	27.3	28.7	
S/T	1.00	1.00	1.00	1.00	1.00	1.00	1.00	1.00	1.00	1.00	1.00	1.00	1.00	1.00	1.00	1.00	1.00	1.00	1.00	1.00	1.00	1.00	1.00	1.00	
ΔT	30.24	28.36	24.85	21.22	30.19	28.31	24.80	21.17	30.45	28.57	25.07	21.43	30.17	28.29	24.78	21.15	29.92	28.04	24.53	20.90	31.09	29.21	25.71	22.07	
KW	1.69	1.68	1.68	1.70	1.88	1.88	1.88	1.89	2.10	2.10	2.10	2.11	2.34	2.34	2.33	2.35	2.60	2.60	2.60	2.61	2.91	2.91	2.91	2.92	
Amps	6.03	6.03	6.01	6.08	6.88	6.88	6.86	6.93	7.83	7.83	7.81	7.88	8.86	8.86	8.84	8.91	10.01	10.00	9.99	10.06	11.36	11.35	11.34	11.40	
Hi PR	261	262	264	269	302	303	304	309	344	345	347	351	389	390	392	397	438	439	441	446	490	492	493	498	
Lo PR	134	136	139	144	142	144	147	152	149	150	154	159	155	156	159	165	160	162	165	170	167	169	172	178	

IDB: Entering Indoor Dry Bulb Temperature
 High and low pressures are measured at the liquid and suction service valves.
 Shaded area reflects AHRI (TVA) conditions
 KW = Total system power
 Amps = outdoor unit amps (comp.+fan)

EXPANDED COOLING DATA — GPGM542***41 STAGE 2 (CONT.)

IDB	AIRFLOW	OUTDOOR AMBIENT TEMPERATURE																													
		65°F					75°F					85°F					95°F					105°F					115°F				
		59	63	67	71	75	59	63	67	71	75	59	63	67	71	75	59	63	67	71	75	59	63	67	71	75	59	63	67	71	75
80	MBh	42.0	42.6	43.8	45.7	41.6	42.2	43.4	45.3	40.5	41.1	42.3	44.2	38.6	39.2	40.5	42.4	36.3	36.9	38.2	40.1	34.3	34.8	36.1	38.0						
	S/T	1.00	1.00	1.00	1.00	1.00	1.00	1.00	1.00	1.00	1.00	1.00	1.00	1.00	1.00	1.00	1.00	1.00	1.00	1.00	1.00	1.00	1.00	1.00	1.00						
	ΔT	29.59	27.64	24.01	20.24	29.54	27.59	23.96	20.19	29.81	27.86	24.23	20.46	29.52	27.57	23.94	20.17	29.26	27.31	23.68	19.91	30.48	28.53	24.89	21.13						
	KW	2.65	2.64	2.64	2.66	2.96	2.96	2.95	2.97	3.31	3.30	3.30	3.32	3.34	3.68	3.68	3.67	3.70	4.10	4.10	4.09	4.12	4.59	4.59	4.59	4.61					
	Amps	9.44	9.43	9.41	9.51	10.79	10.78	10.76	10.86	12.30	12.29	12.27	12.37	13.94	13.93	13.91	14.01	15.77	15.76	15.73	15.84	17.91	17.90	17.90	17.88	17.98					
	Hi PR	2.68	2.69	2.71	2.75	3.10	3.11	3.13	3.18	3.54	3.55	3.57	3.62	4.02	4.03	4.05	4.09	4.53	4.54	4.56	4.60	5.07	5.09	5.10	5.15						
	Lo PR	1.25	1.27	1.30	1.35	1.33	1.34	1.37	1.43	1.39	1.41	1.44	1.49	1.45	1.46	1.49	1.55	1.50	1.52	1.55	1.60	1.57	1.59	1.62	1.67						
	MBh	42.5	43.1	44.3	46.2	42.1	42.7	44.0	45.9	41.0	41.6	42.9	44.8	39.2	39.8	41.0	42.9	36.9	37.5	38.7	40.6	34.8	35.4	36.6	38.5						
	S/T	1.00	1.00	1.00	1.00	1.00	1.00	1.00	1.00	1.00	1.00	1.00	1.00	1.00	1.00	1.00	1.00	1.00	1.00	1.00	1.00	1.00	1.00	1.00	1.00						
	ΔT	28.47	26.52	22.88	19.12	28.41	26.47	22.83	19.07	28.69	26.74	23.10	19.34	28.39	26.45	22.81	19.05	28.13	26.19	22.55	18.79	29.35	27.41	23.77	20.00						
	KW	2.66	2.66	2.65	2.68	2.97	2.97	2.97	2.99	3.32	3.32	3.31	3.34	3.70	3.69	3.69	3.71	4.12	4.11	4.11	4.13	4.61	4.61	4.61	4.63						
Amps	9.51	9.50	9.47	9.58	10.86	10.85	10.83	10.93	12.37	12.36	12.34	12.44	14.01	14.00	13.97	14.08	15.83	15.82	15.80	15.90	17.98	17.97	17.94	18.05							
Hi PR	2.70	2.71	2.73	2.78	3.12	3.13	3.15	3.20	3.56	3.57	3.59	3.64	4.04	4.05	4.07	4.11	4.55	4.56	4.58	4.63	5.10	5.11	5.13	5.17							
Lo PR	1.27	1.28	1.31	1.37	1.34	1.36	1.39	1.44	1.41	1.42	1.46	1.51	1.47	1.48	1.51	1.57	1.52	1.54	1.57	1.62	1.59	1.60	1.64	1.69							
MBh	43.1	43.7	45.0	46.9	42.8	43.3	44.6	46.5	41.7	42.3	43.5	45.4	39.8	40.4	41.6	43.5	37.5	38.1	39.3	41.2	35.4	36.0	37.2	39.2							
S/T	1.00	1.00	1.00	1.00	1.00	1.00	1.00	1.00	1.00	1.00	1.00	1.00	1.00	1.00	1.00	1.00	1.00	1.00	1.00	1.00	1.00	1.00	1.00	1.00							
ΔT	27.51	25.57	21.93	18.17	27.46	25.51	21.88	18.11	27.73	25.79	22.15	18.39	27.44	25.49	21.86	18.09	27.18	25.23	21.60	17.83	28.40	26.45	22.82	19.05							
KW	2.67	2.67	2.67	2.69	2.99	2.98	2.98	3.00	3.33	3.33	3.33	3.35	3.71	3.71	3.70	3.73	4.13	4.13	4.12	4.15	4.62	4.62	4.61	4.64							
Amps	9.56	9.55	9.53	9.63	10.92	10.91	10.88	10.99	12.43	12.42	12.39	12.50	14.06	14.05	14.03	14.13	15.89	15.88	15.86	15.96	18.03	18.02	18.00	18.10							
Hi PR	2.72	2.73	2.75	2.80	3.14	3.15	3.17	3.22	3.58	3.59	3.61	3.66	4.06	4.07	4.09	4.14	4.57	4.58	4.60	4.65	5.12	5.13	5.15	5.19							
Lo PR	1.29	1.30	1.33	1.39	1.36	1.38	1.41	1.46	1.43	1.44	1.48	1.53	1.48	1.50	1.53	1.58	1.54	1.56	1.59	1.64	1.61	1.62	1.66	1.71							
MBh	42.7	43.3	44.5	46.4	42.3	42.9	44.1	46.0	41.2	41.8	43.0	45.0	39.3	39.9	41.2	43.1	37.0	37.6	38.9	40.8	35.0	35.5	36.8	38.7							
S/T	1.00	1.00	1.00	1.00	1.00	1.00	1.00	1.00	1.00	1.00	1.00	1.00	1.00	1.00	1.00	1.00	1.00	1.00	1.00	1.00	1.00	1.00	1.00	1.00							
ΔT	33.41	31.47	27.83	24.07	33.36	31.41	27.78	24.01	33.63	31.69	28.05	24.29	33.34	31.39	27.76	23.99	33.08	31.13	27.50	23.73	34.30	32.35	28.72	24.95							
KW	2.65	2.65	2.64	2.67	2.96	2.96	2.96	2.98	3.31	3.31	3.30	3.33	3.69	3.68	3.68	3.70	4.11	4.10	4.10	4.12	4.60	4.60	4.59	4.62							
Amps	9.47	9.46	9.43	9.54	10.82	10.81	10.79	10.89	12.33	12.32	12.30	12.40	13.97	13.95	13.93	14.04	15.79	15.78	15.76	15.86	17.94	17.92	17.90	18.01							
Hi PR	2.69	2.70	2.72	2.77	3.11	3.12	3.14	3.19	3.55	3.56	3.58	3.63	4.03	4.04	4.06	4.10	4.54	4.55	4.57	4.62	5.09	5.10	5.12	5.16							
Lo PR	1.27	1.28	1.32	1.37	1.34	1.36	1.39	1.44	1.41	1.43	1.46	1.51	1.47	1.48	1.51	1.57	1.52	1.54	1.57	1.62	1.59	1.61	1.64	1.69							
MBh	43.2	43.8	45.0	46.9	42.8	43.4	44.7	46.6	41.7	42.3	43.6	45.5	39.9	40.5	41.7	43.6	37.6	38.2	39.4	41.3	35.5	36.1	37.3	39.2							
S/T	1.00	1.00	1.00	1.00	1.00	1.00	1.00	1.00	1.00	1.00	1.00	1.00	1.00	1.00	1.00	1.00	1.00	1.00	1.00	1.00	1.00	1.00	1.00	1.00							
ΔT	32.29	30.34	26.71	22.94	32.24	30.29	26.65	22.89	32.51	30.56	26.93	23.16	32.22	30.27	26.63	22.87	31.96	30.01	26.37	22.61	33.17	31.23	27.59	23.83							
KW	2.67	2.67	2.66	2.68	2.98	2.98	2.97	3.00	3.33	3.32	3.32	3.34	3.70	3.70	3.69	3.72	4.12	4.12	4.11	4.14	4.62	4.61	4.61	4.63							
Amps	9.53	9.52	9.50	9.60	10.89	10.88	10.85	10.96	12.40	12.39	12.36	12.47	14.03	14.02	14.00	14.10	15.86	15.85	15.83	15.93	18.00	17.99	17.97	18.07							
Hi PR	2.71	2.72	2.74	2.79	3.13	3.14	3.16	3.21	3.57	3.59	3.60	3.65	4.05	4.06	4.08	4.13	4.56	4.57	4.59	4.64	5.11	5.12	5.14	5.19							
Lo PR	1.29	1.30	1.33	1.39	1.36	1.38	1.41	1.46	1.43	1.44	1.48	1.53	1.48	1.50	1.53	1.58	1.54	1.55	1.59	1.64	1.61	1.62	1.65	1.71							
MBh	43.8	44.4	45.7	47.6	43.5	44.0	45.3	47.2	42.4	43.0	44.2	46.1	40.5	41.1	42.3	44.2	38.2	38.8	40.0	41.9	36.1	36.7	38.0	39.9							
S/T	1.00	1.00	1.00	1.00	1.00	1.00	1.00	1.00	1.00	1.00	1.00	1.00	1.00	1.00	1.00	1.00	1.00	1.00	1.00	1.00	1.00	1.00	1.00	1.00							
ΔT	31.34	29.39	25.75	21.99	31.28	29.34	25.70	21.93	31.56	29.61	25.97	22.21	31.26	29.32	25.68	21.91	31.00	29.06	25.42	21.65	32.22	30.27	26.64	22.87							
KW	2.68	2.68	2.67	2.70	2.99	2.99	2.98	3.01	3.34	3.34	3.33	3.36	3.72	3.71	3.71	3.73	4.14	4.13	4.13	4.15	4.63	4.63	4.62	4.64							
Amps	9.59	9.58	9.56	9.66	10.94	10.93	10.91	11.01	12.45	12.44	12.42	12.52	14.09	14.08	14.06	14.16	15.92	15.91	15.88	15.99	18.06	18.05	18.03	18.13							
Hi PR	2.73	2.74	2.76	2.81	3.15	3.17	3.18	3.23	3.60	3.61	3.63	3.67	4.07	4.08	4.10	4.15	4.58	4.59	4.61	4.66	5.13	5.14	5.16	5.21							
Lo PR	1.31	1.32	1.35	1.41	1.38	1.40	1.43	1.48	1.45	1.46	1.49	1.55	1.50	1.52	1.55	1.60	1.56	1.57	1.61	1.66	1.63	1.64	1.67	1.73							

Shaded area reflects AHRI (TVA) conditions

KW = Total system power
Amps = outdoor unit amps (comp.+fan)

IDB: Entering Indoor Dry Bulb Temperature
High and low pressures are measured at the liquid and suction service valves.

EXPANDED COOLING DATA — GPGM548***41 STAGE 1

IDB	AIRFLOW	OUTDOOR AMBIENT TEMPERATURE																																			
		65°F						75°F						85°F						95°F						105°F						115°F					
		59	63	67	71	59	63	67	71	59	63	67	71	59	63	67	71	59	63	67	71	59	63	67	71	59	63	67	71								
70	805	MBh	33.7	34.2	35.2	-	33.4	33.9	34.9	-	32.5	33.0	34.0	-	31.0	31.5	32.5	-	29.1	29.6	30.6	-	27.5	27.9	28.9	-											
		S/T	0.61	0.54	0.40	-	0.62	0.54	0.41	-	0.64	0.57	0.43	-	1.00	0.59	0.45	-	1.00	0.61	0.47	-	1.00	0.66	0.52	-											
		ΔT	21.04	19.09	15.44	-	20.99	19.04	15.38	-	21.27	19.31	15.66	-	20.97	19.02	15.36	-	20.71	18.75	15.10	-	21.93	19.98	16.33	-											
		KW	1.86	1.86	1.85	-	2.08	2.08	2.07	-	2.33	2.33	2.32	-	2.60	2.60	2.59	-	2.90	2.90	2.89	-	3.25	3.25	3.25	-											
		Amps	6.70	6.69	6.68	-	7.67	7.66	7.65	-	8.75	8.75	8.73	-	9.93	9.92	9.90	-	11.24	11.23	11.21	-	12.77	12.76	12.75	-											
		Hi PR	256	257	259	-	297	298	299	-	339	340	342	-	384	386	387	-	434	435	436	-	486	487	489	-											
Lo PR	126	127	130	-	133	135	138	-	140	142	145	-	146	147	150	-	151	153	156	-	158	160	163	-													
70	910	MBh	34.1	34.6	35.6	-	33.8	34.3	35.3	-	32.9	33.4	34.4	-	31.4	31.9	32.9	-	29.6	30.0	31.0	-	27.9	28.3	29.3	-											
		S/T	0.67	0.59	0.45	-	0.67	0.60	0.46	-	0.70	0.62	0.49	-	1.00	0.64	0.51	-	1.00	0.66	0.53	-	1.00	0.71	0.58	-											
		ΔT	19.96	18.01	14.36	-	19.91	17.95	14.30	-	20.18	18.23	14.58	-	19.89	17.93	14.28	-	19.63	17.67	14.02	-	20.85	18.90	15.25	-											
		KW	1.87	1.87	1.86	-	2.09	2.09	2.09	-	2.34	2.34	2.33	-	2.61	2.61	2.60	-	2.91	2.91	2.90	-	3.26	3.26	3.26	-											
		Amps	6.75	6.74	6.72	-	7.72	7.71	7.69	-	8.80	8.79	8.78	-	9.97	9.96	9.95	-	11.28	11.27	11.26	-	12.82	12.81	12.79	-											
		Hi PR	258	259	261	-	299	300	301	-	341	342	344	-	386	388	389	-	436	437	438	-	488	489	491	-											
Lo PR	127	129	132	-	135	137	140	-	142	143	147	-	147	149	152	-	153	155	158	-	160	161	165	-													
70	1015	MBh	34.6	35.1	36.1	-	34.3	34.8	35.8	-	33.4	33.9	34.9	-	31.9	32.4	33.4	-	30.0	30.5	31.5	-	28.4	28.8	29.8	-											
		S/T	0.70	0.62	0.49	-	0.70	0.63	0.49	-	1.00	0.65	0.52	-	1.00	0.67	0.54	-	1.00	0.70	0.56	-	1.00	0.75	0.61	-											
		ΔT	19.04	17.08	13.43	-	18.99	17.03	13.38	-	19.26	17.31	13.66	-	18.97	17.01	13.36	-	18.71	16.75	13.10	-	19.93	17.97	14.32	-											
		KW	1.88	1.87	1.87	-	2.10	2.10	2.09	-	2.35	2.35	2.34	-	2.62	2.62	2.61	-	2.92	2.92	2.91	-	3.27	3.27	3.27	-											
		Amps	6.79	6.78	6.76	-	7.76	7.75	7.73	-	8.84	8.83	8.82	-	10.01	10.00	9.99	-	11.32	11.31	11.30	-	12.86	12.85	12.83	-											
		Hi PR	260	261	263	-	300	302	303	-	343	344	346	-	388	389	391	-	438	439	440	-	490	491	493	-											
Lo PR	129	131	134	-	137	139	142	-	144	145	148	-	149	151	154	-	155	156	160	-	162	163	167	-													

75	805	MBh	33.7	34.2	35.2	36.7	33.4	33.9	34.9	36.4	32.5	33.0	34.0	35.5	31.0	31.5	32.5	34.0	29.2	29.6	30.6	32.2	27.5	27.9	29.0	30.5
		S/T	0.74	0.67	0.53	0.39	1.00	0.67	0.54	0.39	1.00	0.70	0.56	0.42	1.00	0.72	0.58	0.44	1.00	0.79	0.66	0.51	1.00	1.00	0.71	0.57
		ΔT	25.34	23.39	19.74	15.95	25.29	23.34	19.68	15.90	25.57	23.61	19.96	16.18	25.27	23.32	19.66	15.88	25.01	23.05	19.40	15.62	26.23	24.28	20.63	16.84
		KW	1.86	1.85	1.85	1.87	2.08	2.08	2.07	2.09	2.33	2.33	2.32	2.34	2.60	2.60	2.59	2.61	2.90	2.90	2.89	2.91	3.25	3.25	3.25	3.26
		Amps	6.69	6.69	6.67	6.74	7.67	7.66	7.64	7.72	8.75	8.74	8.72	8.80	9.92	9.91	9.90	9.97	11.23	11.22	11.21	11.28	12.77	12.76	12.74	12.82
		Hi PR	256	257	259	264	297	298	300	304	339	340	342	346	385	386	388	392	434	435	437	441	486	487	489	494
Lo PR	126	127	131	136	133	135	138	144	140	142	145	150	146	147	151	156	151	153	156	161	158	160	163	168		
75	910	MBh	34.1	34.6	35.6	37.1	33.8	34.3	35.3	36.8	32.9	33.4	34.4	35.9	31.4	31.9	32.9	34.4	29.6	30.0	31.1	32.6	27.9	28.4	29.4	30.9
		S/T	0.80	0.72	0.58	0.44	1.00	0.73	0.59	0.45	1.00	0.75	0.62	0.47	1.00	0.77	0.63	0.49	1.00	0.80	0.67	0.52	1.00	1.00	0.71	0.57
		ΔT	24.26	22.31	18.66	14.87	24.21	22.25	18.60	14.82	24.48	22.53	18.88	15.09	24.19	22.23	18.58	14.80	23.93	21.97	18.32	14.54	25.15	23.20	19.55	15.76
		KW	1.87	1.86	1.86	1.88	2.09	2.09	2.08	2.10	2.34	2.34	2.33	2.35	2.61	2.61	2.60	2.62	2.91	2.91	2.90	2.92	3.26	3.26	3.26	3.27
		Amps	6.74	6.73	6.72	6.79	7.71	7.70	7.69	7.76	8.79	8.79	8.77	8.84	9.97	9.96	9.94	10.02	11.28	11.27	11.25	11.33	12.81	12.80	12.79	12.86
		Hi PR	258	259	261	266	299	300	302	306	341	342	344	348	387	388	390	394	436	437	439	443	488	489	491	496
Lo PR	127	129	132	138	135	137	140	145	142	143	147	152	147	149	152	158	153	155	158	163	160	162	165	170		
75	1015	MBh	34.6	35.1	36.1	37.6	34.3	34.8	35.8	37.3	33.4	33.9	34.9	36.4	31.9	32.4	33.4	34.9	30.1	30.5	31.5	33.1	28.4	28.8	29.9	31.4
		S/T	0.83	0.75	0.62	0.47	1.00	0.76	0.62	0.48	1.00	0.78	0.65	0.50	1.00	0.80	0.67	0.52	1.00	1.00	0.69	0.55	1.00	1.00	0.74	0.60
		ΔT	23.34	21.38	17.73	13.95	23.29	21.33	17.68	13.90	23.56	21.61	17.95	14.17	23.27	21.31	17.66	13.88	23.01	21.05	17.40	13.62	24.23	22.27	18.62	14.84
		KW	1.88	1.87	1.87	1.89	2.10	2.10	2.09	2.11	2.35	2.35	2.34	2.36	2.62	2.62	2.61	2.63	2.92	2.92	2.91	2.93	3.27	3.27	3.27	3.28
		Amps	6.78	6.77	6.76	6.83	7.75	7.74	7.73	7.80	8.83	8.83	8.81	8.88	10.01	10.00	9.98	10.06	11.31	11.31	11.29	11.36	12.85	12.84	12.83	12.90
		Hi PR	260	261	263	268	301	302	304	308	343	344	346	350	389	390	392	396	438	439	441	445	490	491	493	498
Lo PR	129	131	134	139	137	139	142	147	144	145	148	154	149	151	154	159	155	156	160	165	162	163	167	172		

IDB: Entering Indoor Dry Bulb Temperature
 High and low pressures are measured at the liquid and suction service valves.
 Shaded area reflects ACCA (TVA) conditions
 kW = Total system power
 Amps = outdoor unit amps (comp. + fan)

EXPANDED COOLING DATA — GPGM548***41 STAGE 1 (CONT.)

IDB	AIRFLOW	OUTDOOR AMBIENT TEMPERATURE												ENTERING INDOOR WET BULB TEMPERATURE											
		65°F				75°F				85°F				95°F				105°F				115°F			
		59	63	67	71	59	63	67	71	59	63	67	71	59	63	67	71	59	63	67	71	59	63	67	71
805	MBh	33.9	34.3	35.4	36.9	33.6	34.0	35.1	36.6	32.7	33.2	34.2	35.7	31.2	31.7	32.7	34.2	29.3	29.8	30.8	32.4	27.6	28.1	29.1	30.7
	S/T	1.00	0.79	0.66	0.51	1.00	0.80	0.66	0.52	1.00	0.82	0.69	0.54	1.00	1.00	0.71	0.56	1.00	1.00	0.73	0.58	1.00	1.00	0.78	0.64
	ΔT	29.67	27.72	24.07	20.28	29.62	27.66	24.01	20.23	29.89	27.94	24.29	20.50	29.60	27.64	23.99	20.21	29.34	27.38	23.73	19.95	30.56	28.61	24.96	21.17
	KW	1.86	1.85	1.85	1.87	2.08	2.08	2.07	2.09	2.33	2.33	2.32	2.34	2.60	2.60	2.59	2.61	2.90	2.90	2.89	2.91	3.25	3.25	3.25	3.26
	Amps	6.70	6.69	6.68	6.75	7.67	7.66	7.65	7.72	8.75	8.75	8.73	8.80	9.92	9.92	9.90	9.97	11.23	11.23	11.21	11.28	12.77	12.76	12.75	12.82
910	Hi PR	257	258	260	264	297	298	300	305	340	341	342	347	385	386	388	392	434	435	437	442	487	488	490	494
	Lo PR	126	128	131	136	134	136	139	144	141	142	145	151	146	148	151	156	152	153	157	162	159	160	164	169
	MBh	34.3	34.8	35.8	37.3	34.0	34.5	35.5	37.0	33.1	33.6	34.6	36.1	31.6	32.1	33.1	34.6	29.7	30.2	31.2	32.8	28.1	28.5	29.5	31.1
	S/T	1.00	0.85	0.71	0.57	1.00	0.85	0.72	0.57	1.00	0.88	0.74	0.60	1.00	1.00	0.76	0.62	1.00	1.00	0.78	0.64	1.00	1.00	0.83	0.69
	ΔT	28.59	26.64	22.98	19.20	28.54	26.58	22.93	19.15	28.81	26.86	23.21	19.42	28.52	26.56	22.91	19.13	28.26	26.30	22.65	18.87	29.48	27.53	23.87	20.09
1015	KW	1.87	1.87	1.86	1.88	2.09	2.09	2.08	2.10	2.34	2.34	2.33	2.35	2.61	2.61	2.60	2.62	2.91	2.91	2.90	2.92	3.26	3.26	3.26	3.28
	Amps	6.75	6.74	6.72	6.80	7.72	7.71	7.69	7.77	8.80	8.79	8.77	8.85	9.97	9.96	9.95	10.02	11.28	11.27	11.26	11.33	12.82	12.81	12.79	12.87
	Hi PR	259	260	262	266	299	300	302	307	342	343	344	349	387	388	390	395	436	437	439	444	489	490	492	496
	Lo PR	128	130	133	138	136	137	140	146	142	144	147	152	148	150	153	158	154	155	158	164	161	162	165	171
	MBh	34.8	35.2	36.3	37.8	34.5	34.9	36.0	37.5	33.6	34.1	35.1	36.6	32.1	32.6	33.6	35.1	30.2	30.7	31.7	33.2	28.5	29.0	30.0	31.6

805	MBh	34.4	34.9	35.9	37.5	34.1	34.6	35.6	37.2	33.3	33.7	34.7	36.3	31.7	32.2	33.2	34.8	29.9	30.4	31.4	32.9	28.2	28.7	29.7	31.2
	S/T	1.00	0.89	0.76	0.61	1.00	1.00	0.76	0.62	1.00	1.00	0.79	0.64	1.00	1.00	0.81	0.66	1.00	1.00	0.81	0.69	1.00	1.00	1.00	0.74
	ΔT	33.51	31.56	27.91	24.12	33.46	31.50	27.85	24.07	33.73	31.78	28.13	24.34	33.44	31.48	27.83	24.05	33.18	31.22	27.57	23.79	34.40	32.45	28.79	25.01
	KW	1.86	1.86	1.86	1.87	2.08	2.08	2.08	2.10	2.33	2.33	2.33	2.34	2.60	2.60	2.60	2.61	2.90	2.90	2.90	2.92	3.26	3.26	3.25	3.27
	Amps	6.72	6.71	6.69	6.77	7.69	7.68	7.66	7.74	8.77	8.76	8.75	8.82	9.94	9.94	9.92	9.99	11.25	11.25	11.23	11.30	12.79	12.78	12.76	12.84
910	Hi PR	258	259	261	265	298	300	301	306	341	342	344	348	386	387	389	394	435	437	438	443	488	489	491	495
	Lo PR	128	130	133	138	136	137	141	146	143	144	147	153	148	150	153	158	154	155	158	164	161	162	165	171
	MBh	34.9	35.3	36.3	37.9	34.6	35.0	36.0	37.6	33.7	34.1	35.2	36.7	32.2	32.6	33.6	35.2	30.3	30.8	31.8	33.3	28.6	29.1	30.1	31.6
	S/T	1.00	0.95	0.81	0.67	1.00	1.00	0.82	0.67	1.00	1.00	0.84	0.70	1.00	1.00	0.86	0.72	1.00	1.00	1.00	0.74	1.00	1.00	1.00	0.79
	ΔT	32.43	30.47	26.82	23.04	32.38	30.42	26.77	22.99	32.65	30.70	27.05	23.26	32.36	30.40	26.75	22.97	32.10	30.14	26.49	22.71	33.32	31.36	27.71	23.93
1015	KW	1.87	1.87	1.87	1.88	2.09	2.09	2.09	2.11	2.34	2.34	2.34	2.36	2.61	2.61	2.61	2.62	2.91	2.91	2.91	2.93	3.27	3.27	3.26	3.28
	Amps	6.76	6.76	6.74	6.81	7.73	7.73	7.71	7.78	8.82	8.81	8.79	8.87	9.99	9.98	9.97	10.04	11.30	11.29	11.27	11.35	12.84	12.83	12.81	12.89
	Hi PR	260	261	263	267	300	302	303	308	343	344	346	350	388	389	391	396	437	439	440	445	490	491	493	497
	Lo PR	130	131	135	140	138	139	142	148	144	146	149	154	150	151	155	160	155	157	160	166	162	164	167	173
	MBh	35.3	35.8	36.8	38.4	35.0	35.5	36.5	38.1	34.2	34.6	35.6	37.2	32.6	33.1	34.1	35.7	30.8	31.3	32.3	33.8	29.1	29.6	30.6	32.1

IDB: Entering Indoor Dry Bulb Temperature
 High and low pressures are measured at the liquid and suction service valves.
 Shaded area reflects AHRI (TVA) conditions
 KW = Total system power
 Amps = outdoor unit amps (comp.+fan)

IDB	AIRFLOW	OUTDOOR AMBIENT TEMPERATURE																																																																																																																																																																																																																																																																																																																																																																																																																																																																																																																							
		65°F				75°F				85°F				95°F				105°F				115°F																																																																																																																																																																																																																																																																																																																																																																																																																																																																																																			
		59	63	67	71	59	63	67	71	59	63	67	71	59	63	67	71	59	63	67	71	59	63	67	71																																																																																																																																																																																																																																																																																																																																																																																																																																																																																																
		ENTERING INDOOR WET BULB TEMPERATURE																																																																																																																																																																																																																																																																																																																																																																																																																																																																																																																							
	1150	46.8	47.5	48.9	-	46.4	47.1	48.5	-	45.2	45.9	47.3	-	43.1	43.8	45.2	-	40.5	41.2	42.6	-	38.2	38.8	40.2	-	0.60	0.52	0.39	-	0.60	0.53	0.40	-	0.63	0.55	0.42	-	0.65	0.57	0.44	-	1.00	0.59	0.46	-	1.00	0.64	0.51	-	21.81	19.78	16.00	-	21.75	19.73	15.94	-	22.04	20.01	16.23	-	21.73	19.71	15.92	-	21.46	19.43	15.65	-	22.73	20.70	16.92	-	2.95	2.95	2.94	-	3.31	3.30	3.30	-	3.70	3.70	3.69	-	4.13	4.13	4.12	-	4.61	4.61	4.60	-	5.17	5.17	5.16	-	10.65	10.64	10.62	-	12.20	12.18	12.16	-	13.92	13.91	13.88	-	15.78	15.77	15.74	-	17.86	17.85	17.82	-	20.30	20.29	20.27	-	268	269	271	-	310	311	313	-	354	356	358	-	402	403	405	-	454	455	457	-	508	510	511	-	122	124	127	-	130	131	134	-	136	138	141	-	142	143	146	-	147	149	152	-	154	155	159	-	47.4	48.1	49.5	-	47.0	47.7	49.1	-	45.8	46.4	47.8	-	43.7	44.3	45.7	-	41.1	41.8	43.2	-	38.8	39.4	40.8	-	0.65	0.57	0.44	-	0.66	0.58	0.45	-	0.68	0.61	0.47	-	1.00	0.62	0.49	-	1.00	0.65	0.51	-	1.00	0.70	0.56	-	20.69	18.66	14.88	-	20.63	18.61	14.82	-	20.92	18.89	15.11	-	20.61	18.58	14.80	-	20.34	18.31	14.53	-	21.61	19.58	15.80	-	2.97	2.97	2.96	-	3.32	3.32	3.32	-	3.72	3.72	3.71	-	4.15	4.15	4.14	-	4.63	4.62	4.62	-	5.19	5.19	5.18	-	10.73	10.71	10.69	-	12.27	12.26	12.23	-	13.99	13.98	13.95	-	15.85	15.84	15.82	-	17.94	17.92	17.90	-	20.38	20.37	20.34	-	270	271	273	-	312	313	315	-	357	358	360	-	404	405	407	-	456	457	459	-	510	512	513	-	124	125	129	-	131	133	136	-	138	139	143	-	143	145	148	-	149	150	153	-	156	157	160	-	48.1	48.8	50.2	-	47.7	48.3	49.7	-	46.5	47.1	48.5	-	44.3	45.0	46.4	-	41.8	42.4	43.8	-	39.4	40.1	41.5	-	0.68	0.61	0.47	-	0.69	0.61	0.48	-	0.71	0.64	0.50	-	1.00	0.66	0.52	-	1.00	0.68	0.55	-	1.00	0.73	0.60	-	19.73	17.70	13.92	-	19.68	17.65	13.87	-	19.96	17.93	14.15	-	19.65	17.63	13.84	-	19.38	17.36	13.57	-	20.65	18.63	14.84	-	2.98	2.98	2.97	-	3.34	3.34	3.33	-	3.73	3.73	3.73	-	4.16	4.16	4.15	-	4.64	4.64	4.63	-	5.20	5.20	5.19	-	10.79	10.78	10.75	-	12.33	12.32	12.29	-	14.05	14.04	14.01	-	15.92	15.90	15.88	-	18.00	17.99	17.96	-	20.44	20.43	20.40	-	272	273	275	-	314	315	317	-	359	360	362	-	406	407	409	-	458	459	461	-	512	514	516	-	126	127	130	-	133	135	138	-	140	141	144	-	145	147	150	-	151	152	155	-	157	159	162	-

	1150	46.9	47.5	48.9	51.1	46.5	47.1	48.5	50.6	45.2	45.9	47.3	49.4	43.1	43.8	45.2	47.3	40.6	41.2	42.6	44.8	38.2	38.9	40.3	42.4	0.72	0.65	0.52	0.38	0.73	0.65	0.52	0.38	1.00	0.68	0.55	0.41	1.00	0.70	0.57	0.43	1.00	0.72	0.59	0.45	1.00	1.00	0.64	0.50	26.26	24.24	20.45	16.53	26.21	24.18	20.40	16.48	26.49	24.47	20.68	16.76	26.19	24.16	20.38	16.46	25.92	23.89	20.11	16.19	27.19	25.16	21.38	17.46	2.95	2.95	2.94	2.97	3.30	3.30	3.30	3.32	3.70	3.70	3.69	3.72	4.13	4.13	4.12	4.15	4.61	4.61	4.60	4.63	5.17	5.17	5.16	5.19	10.64	10.63	10.61	10.72	12.19	12.17	12.15	12.27	13.91	13.90	13.87	13.99	15.77	15.76	15.73	15.85	17.85	17.84	17.81	17.93	20.29	20.28	20.26	20.37	268	269	271	276	310	312	313	318	355	356	358	362	402	404	405	410	454	455	457	461	509	510	512	516	122	124	127	132	130	131	134	140	136	138	141	146	142	143	146	152	147	149	152	157	154	155	159	164	47.4	48.1	49.5	51.6	47.0	47.7	49.1	51.2	45.8	46.5	47.9	50.0	43.7	44.4	45.8	47.9	44.1	41.8	43.2	45.3	48.6	39.4	39.4	40.8	43.0	0.77	0.70	0.57	0.43	0.78	0.71	0.57	0.44	1.00	0.73	0.60	0.46	1.00	0.75	0.62	0.48	1.00	0.77	0.64	0.50	1.00	1.00	0.69	0.55	25.14	23.12	19.33	15.41	25.09	23.06	19.28	15.36	25.37	23.35	19.56	15.64	25.07	23.04	19.26	15.34	24.80	22.77	18.99	15.07	26.06	24.04	20.25	16.33	2.97	2.96	2.96	2.99	3.32	3.32	3.31	3.34	3.72	3.71	3.71	3.74	4.15	4.14	4.14	4.16	4.62	4.62	4.62	4.64	5.19	5.18	5.18	5.20	10.72	10.70	10.68	10.80	12.26	12.25	12.22	12.34	13.98	13.97	13.94	14.06	15.84	15.83	15.81	15.92	17.93	17.91	17.89	18.01	20.37	20.36	20.33	20.45	270	271	273	278	313	314	316	320	357	358	360	365	404	406	407	412	456	457	459	464	511	512	514	518	124	126	129	134	131	133	136	141	138	139	143	148	143	145	148	153	149	150	153	159	156	157	160	165	48.1	48.8	50.2	52.3	47.7	48.4	49.8	51.9	46.5	47.1	48.5	50.7	44.4	45.0	46.4	48.6	41.8	42.5	43.9	46.0	39.5	40.1	41.5	43.7	0.81	0.73	0.60	0.46	1.00	0.74	0.61	0.47	1.00	0.76	0.63	0.49	1.00	0.78	0.65	0.51	1.00	0.80	0.67	0.53	1.00	1.00	0.72	0.58	24.19	22.16	18.38	14.46	24.13	22.10	18.32	14.40	24.42	22.39	18.61	14.69	24.11	22.08	18.30	14.38	23.84	21.81	18.03	14.11	25.11	23.08	19.30	15.38	2.98	2.98	2.97	3.00	3.34	3.33	3.33	3.35	3.73	3.73	3.72	3.75	4.16	4.16	4.15	4.18	4.64	4.64	4.63	4.66	5.20	5.20	5.19	5.22	10.78	10.77	10.74	10.86	12.32	12.31	12.28	12.40	14.04	14.03	14.00	14.12	15.91	15.89	15.87	15.99	17.99	17.98	17.95	18.07	20.43	20.42	20.39	20.51	272	273	275	280	315	316	318	322	359	360	362	367	406	408	410	414	458	459	461	466	513	514	516	520	126	127	130	136	133	135	138	143	140	141	144	150	145	147	150	155	151	152	155	160	157	159	162	167
--	------	------	------	------	------	------	------	------	------	------	------	------	------	------	------	------	------	------	------	------	------	------	------	------	------	------	------	------	------	------	------	------	------	------	------	------	------	------	------	------	------	------	------	------	------	------	------	------	------	-------	-------	-------	-------	-------	-------	-------	-------	-------	-------	-------	-------	-------	-------	-------	-------	-------	-------	-------	-------	-------	-------	-------	-------	------	------	------	------	------	------	------	------	------	------	------	------	------	------	------	------	------	------	------	------	------	------	------	------	-------	-------	-------	-------	-------	-------	-------	-------	-------	-------	-------	-------	-------	-------	-------	-------	-------	-------	-------	-------	-------	-------	-------	-------	-----	-----	-----	-----	-----	-----	-----	-----	-----	-----	-----	-----	-----	-----	-----	-----	-----	-----	-----	-----	-----	-----	-----	-----	-----	-----	-----	-----	-----	-----	-----	-----	-----	-----	-----	-----	-----	-----	-----	-----	-----	-----	-----	-----	-----	-----	-----	-----	------	------	------	------	------	------	------	------	------	------	------	------	------	------	------	------	------	------	------	------	------	------	------	------	------	------	------	------	------	------	------	------	------	------	------	------	------	------	------	------	------	------	------	------	------	------	------	------	------	-------	-------	-------	-------	-------	-------	-------	-------	-------	-------	-------	-------	-------	-------	-------	-------	-------	-------	-------	-------	-------	-------	-------	-------	------	------	------	------	------	------	------	------	------	------	------	------	------	------	------	------	------	------	------	------	------	------	------	------	-------	-------	-------	-------	-------	-------	-------	-------	-------	-------	-------	-------	-------	-------	-------	-------	-------	-------	-------	-------	-------	-------	-------	-------	-----	-----	-----	-----	-----	-----	-----	-----	-----	-----	-----	-----	-----	-----	-----	-----	-----	-----	-----	-----	-----	-----	-----	-----	-----	-----	-----	-----	-----	-----	-----	-----	-----	-----	-----	-----	-----	-----	-----	-----	-----	-----	-----	-----	-----	-----	-----	-----	------	------	------	------	------	------	------	------	------	------	------	------	------	------	------	------	------	------	------	------	------	------	------	------	------	------	------	------	------	------	------	------	------	------	------	------	------	------	------	------	------	------	------	------	------	------	------	------	-------	-------	-------	-------	-------	-------	-------	-------	-------	-------	-------	-------	-------	-------	-------	-------	-------	-------	-------	-------	-------	-------	-------	-------	------	------	------	------	------	------	------	------	------	------	------	------	------	------	------	------	------	------	------	------	------	------	------	------	-------	-------	-------	-------	-------	-------	-------	-------	-------	-------	-------	-------	-------	-------	-------	-------	-------	-------	-------	-------	-------	-------	-------	-------	-----	-----	-----	-----	-----	-----	-----	-----	-----	-----	-----	-----	-----	-----	-----	-----	-----	-----	-----	-----	-----	-----	-----	-----	-----	-----	-----	-----	-----	-----	-----	-----	-----	-----	-----	-----	-----	-----	-----	-----	-----	-----	-----	-----	-----	-----	-----	-----

IDB: Entering Indoor Dry Bulb Temperature
 High and low pressures are measured at the liquid and suction service valves.
 Shaded area reflects ACCA (TVA) conditions
 kW = Total system power
 Amps = outdoor unit amps (comp.+fan)

EXPANDED COOLING DATA — GPGM560***41 STAGE 1

IDB	AIRFLOW	OUTDOOR AMBIENT TEMPERATURE																								
		65°F			75°F			85°F			95°F			105°F			115°F									
		59	63	67	71	59	63	67	71	59	63	67	71	59	63	67	71	59	63	67	71					
70	1120	MBh	42.5	43.1	44.4	-	42.1	42.7	44.0	-	41.0	41.6	42.9	-	39.1	39.7	41.0	-	36.8	37.4	38.6	-	34.6	35.2	36.5	-
		S/T	0.61	0.53	0.40	-	0.61	0.54	0.40	-	0.64	0.56	0.43	-	1.00	0.58	0.45	-	1.00	0.60	0.47	-	1.00	0.65	0.52	-
		ΔT	18.92	17.15	13.87	-	18.87	17.11	13.82	-	19.12	17.35	14.07	-	18.85	17.09	13.80	-	18.61	16.85	13.56	-	19.72	17.96	14.67	-
		KW	2.32	2.31	2.31	-	2.61	2.60	2.60	-	2.93	2.93	2.92	-	3.28	3.28	3.27	-	3.67	3.67	3.66	-	4.13	4.12	4.12	-
		Amps	8.38	8.37	8.35	-	9.64	9.63	9.61	-	11.04	11.03	11.01	-	12.56	12.55	12.53	-	14.26	14.25	14.23	-	16.25	16.24	16.22	-
	1260	Hi PR	257	258	260	-	298	299	301	-	340	342	343	-	386	387	389	-	436	437	438	-	488	489	491	-
		Lo PR	127	129	132	-	135	136	140	-	142	143	146	-	147	149	152	-	153	155	158	-	160	162	165	-
		MBh	43.0	43.6	44.9	-	42.6	43.2	44.5	-	41.5	42.1	43.4	-	39.6	40.2	41.5	-	37.3	37.9	39.1	-	35.1	35.7	37.0	-
		S/T	0.66	0.58	0.45	-	0.66	0.59	0.45	-	1.00	0.61	0.48	-	1.00	0.63	0.50	-	1.00	0.65	0.52	-	1.00	0.71	0.57	-
		ΔT	17.98	16.22	12.93	-	17.93	16.17	12.88	-	18.18	16.42	13.13	-	17.92	16.15	12.87	-	17.68	15.92	12.63	-	18.78	17.02	13.73	-
1400	KW	2.34	2.34	2.33	-	2.62	2.62	2.61	-	2.94	2.94	2.93	-	3.29	3.29	3.28	-	3.68	3.68	3.67	-	4.14	4.14	4.13	-	
	Amps	8.49	8.48	8.46	-	9.70	9.69	9.66	-	11.10	11.09	11.07	-	12.62	12.61	12.59	-	14.32	14.31	14.28	-	16.31	16.30	16.27	-	
	Hi PR	259	260	262	-	300	301	303	-	342	343	345	-	388	389	391	-	437	439	440	-	490	491	493	-	
	Lo PR	129	130	134	-	137	138	141	-	143	145	148	-	149	151	154	-	155	156	159	-	162	163	166	-	
	MBh	43.6	44.2	45.4	-	43.2	43.8	45.1	-	42.1	42.7	44.0	-	40.2	40.8	42.0	-	37.8	38.4	39.7	-	35.7	36.3	37.6	-	

75	1120	MBh	42.5	43.1	44.4	46.3	42.1	42.7	44.0	45.9	41.0	41.6	42.9	44.8	39.1	39.7	41.0	42.9	36.8	37.4	38.7	40.6	34.7	35.3	36.5	38.5	
		S/T	0.73	0.66	0.52	0.38	1.00	0.66	0.53	0.39	1.00	0.69	0.56	0.41	1.00	0.71	0.57	0.43	1.00	0.73	0.60	0.46	1.00	1.00	1.00	0.65	0.51
		ΔT	22.79	21.03	17.74	14.33	22.74	20.98	17.69	14.28	22.99	21.23	17.94	14.53	22.72	20.96	17.67	14.27	22.49	20.73	17.44	14.03	23.59	21.83	18.54	15.13	
		KW	2.31	2.31	2.31	2.33	2.60	2.60	2.60	2.62	2.93	2.92	2.92	2.94	3.28	3.27	3.27	3.29	3.67	3.66	3.66	3.68	4.12	4.12	4.12	4.14	
		Amps	8.37	8.36	8.34	8.44	9.63	9.62	9.60	9.70	11.03	11.02	11.00	11.10	12.55	12.54	12.52	12.62	14.25	14.24	14.22	14.31	16.24	16.23	16.21	16.31	
	1260	Hi PR	258	259	260	265	298	299	301	306	341	342	344	348	386	388	389	394	436	437	439	443	488	490	491	496	
		Lo PR	127	129	132	137	135	136	140	145	142	143	146	152	147	149	152	158	153	155	158	163	160	162	165	170	
		MBh	43.0	43.6	44.9	46.8	42.6	43.2	44.5	46.4	41.5	42.1	43.4	45.3	39.6	40.2	41.5	43.4	37.3	37.9	39.2	41.1	35.2	35.8	37.0	39.0	
		S/T	0.79	0.71	0.58	0.43	1.00	0.72	0.58	0.44	1.00	0.74	0.61	0.47	1.00	0.76	0.63	0.48	1.00	1.00	0.65	0.51	1.00	1.00	1.00	0.70	0.56
		ΔT	21.85	20.09	16.80	13.40	21.81	20.04	16.76	13.35	22.05	20.29	17.00	13.60	21.79	20.03	16.74	13.33	21.55	19.79	16.50	13.10	22.66	20.89	17.61	14.20	
1400	KW	2.33	2.33	2.32	2.34	2.62	2.61	2.61	2.63	2.94	2.94	2.93	2.95	3.29	3.29	3.28	3.30	3.68	3.68	3.67	3.69	4.14	4.14	4.13	4.15		
	Amps	8.43	8.42	8.40	8.50	9.69	9.68	9.66	9.75	11.09	11.08	11.06	11.16	12.61	12.60	12.58	12.68	14.31	14.30	14.28	14.37	16.30	16.29	16.27	16.36		
	Hi PR	260	261	262	267	300	301	303	307	343	344	346	350	388	389	391	396	438	439	441	445	490	491	493	498		
	Lo PR	129	130	134	139	137	138	141	147	143	145	148	154	149	151	154	159	155	156	159	165	162	163	167	172		
	MBh	43.6	44.2	45.5	47.4	43.2	43.8	45.1	47.0	42.1	42.7	44.0	45.9	40.2	40.8	42.1	44.0	37.9	38.5	39.7	41.7	35.7	36.3	37.6	39.6		

IDB: Entering Indoor Dry Bulb Temperature
 High and low pressures are measured at the liquid and suction service valves.
 Shaded area reflects ACCA (TVA) conditions
 kW = Total system power
 Amps = outdoor unit amps (comp.+fan)

AIRFLOW DATA

GPGM52406041 - Rise Range: 25° - 55°												
E.S.P.	T1 LOW STAGE HEATING SPEED			T2 HIGH STAGE HEATING SPEED			T3 LOW STAGE COOLING SPEED		T4 HIGH STAGE COOLING SPEED		T5 COOLING SPEED	
	CFM	WATTS	RISE	CFM	WATTS	RISE	CFM	WATTS	CFM	WATTS	CFM	WATTS
0.1	700	76	48	1080	197	42	744	72	1021	149	1090	197
0.2	665	84	51	1032	204	44	696	79	976	157	1055	201
0.3	614	91	55	988	212	46	646	86	932	164	1020	207
0.4	561	98	60	948	220	47	591	93	885	171	995	212
0.5	505	105	67	902	225	50	524	99	844	178	955	230
0.6	438	114	77	859	231	52	466	106	795	185	915	240
0.7	374	119	90	813	238	55	405	111	744	192	880	255
0.8	318	125	106	770	245	58	356	116	693	199	835	246

GPGM530080M41 - Rise Range: 35° - 65°												
E.S.P.	T1 LOW STAGE HEATING SPEED			T2 HIGH STAGE HEATING SPEED			T3 LOW STAGE COOLING SPEED		T4 HIGH STAGE COOLING SPEED		T5 COOLING SPEED	
	CFM	WATTS	RISE	CFM	WATTS	RISE	CFM	WATTS	CFM	WATTS	CFM	WATTS
0.1	1035	156	43	1300	287	46	848	89	1171	201	1295	289
0.2	990	165	45	1265	293	47	797	96	1127	208	1260	294
0.3	950	173	47	1220	310	49	740	104	1087	217	1220	304
0.4	910	184	49	1190	306	50	680	112	1043	224	1180	313
0.5	865	190	52	1145	319	52	615	120	990	231	1140	319
0.6	820	200	55	1105	320	54	551	126	941	239	1105	326
0.7	765	204	59	1070	330	56	462	132	885	245	1055	334
0.8	725	211	62	1015	338	59	384	138	826	251	1015	337

GPGM53608041 - Rise Range: 35° - 65°												
E.S.P.	T1 LOW STAGE HEATING SPEED			T2 HIGH STAGE HEATING SPEED			T3 LOW STAGE COOLING SPEED		T4 HIGH STAGE COOLING SPEED		T5 COOLING SPEED	
	CFM	WATTS	RISE	CFM	WATTS	RISE	CFM	WATTS	CFM	WATTS	CFM	WATTS
0.1	950	115	47	1245	230	48	960	134	1450	396	1440	354
0.2	895	124	50	1195	238	50	897	142	1400	405	1390	365
0.3	840	134	54	1150	247	52	828	148	1349	413	1355	369
0.4	775	146	58	1095	256	55	766	156	1302	420	1300	383
0.5	710	152	63	1045	263	57	695	163	1253	428	1260	396
0.6	650	160	X	990	277	61	634	168	1203	436	1210	402
0.7	590	163	X	935	285	64	571	173	1152	442	1160	397
0.8	540	171	X	870	288	X	509	178	1102	449	1110	415

GPGM54210041 - Rise Range: 35° - 65°												
E.S.P.	T1 LOW STAGE HEATING SPEED			T2 HIGH STAGE HEATING SPEED			T3 LOW STAGE COOLING SPEED		T4 HIGH STAGE COOLING SPEED		T5 COOLING SPEED	
	CFM	WATTS	RISE	CFM	WATTS	RISE	CFM	WATTS	CFM	WATTS	CFM	WATTS
0.1	1100	172	51	1420	325	53	1210	220	1571	430	1620	484
0.2	1040	181	54	1360	331	55	1140	226	1520	439	1575	489
0.3	985	185	57	1310	342	57	1085	235	1472	448	1530	497
0.4	920	193	61	1275	353	59	1023	243	1403	454	1490	500
0.5	875	203	64	1210	360	62	963	250	1356	463	1450	507
0.6	815	207	X	1165	368	64	901	259	1302	470	1405	518
0.7	765	215	X	1115	369	X	846	266	1247	476	1345	516
0.8	710	216	X	1075	385	X	786	271	1188	480	1300	528

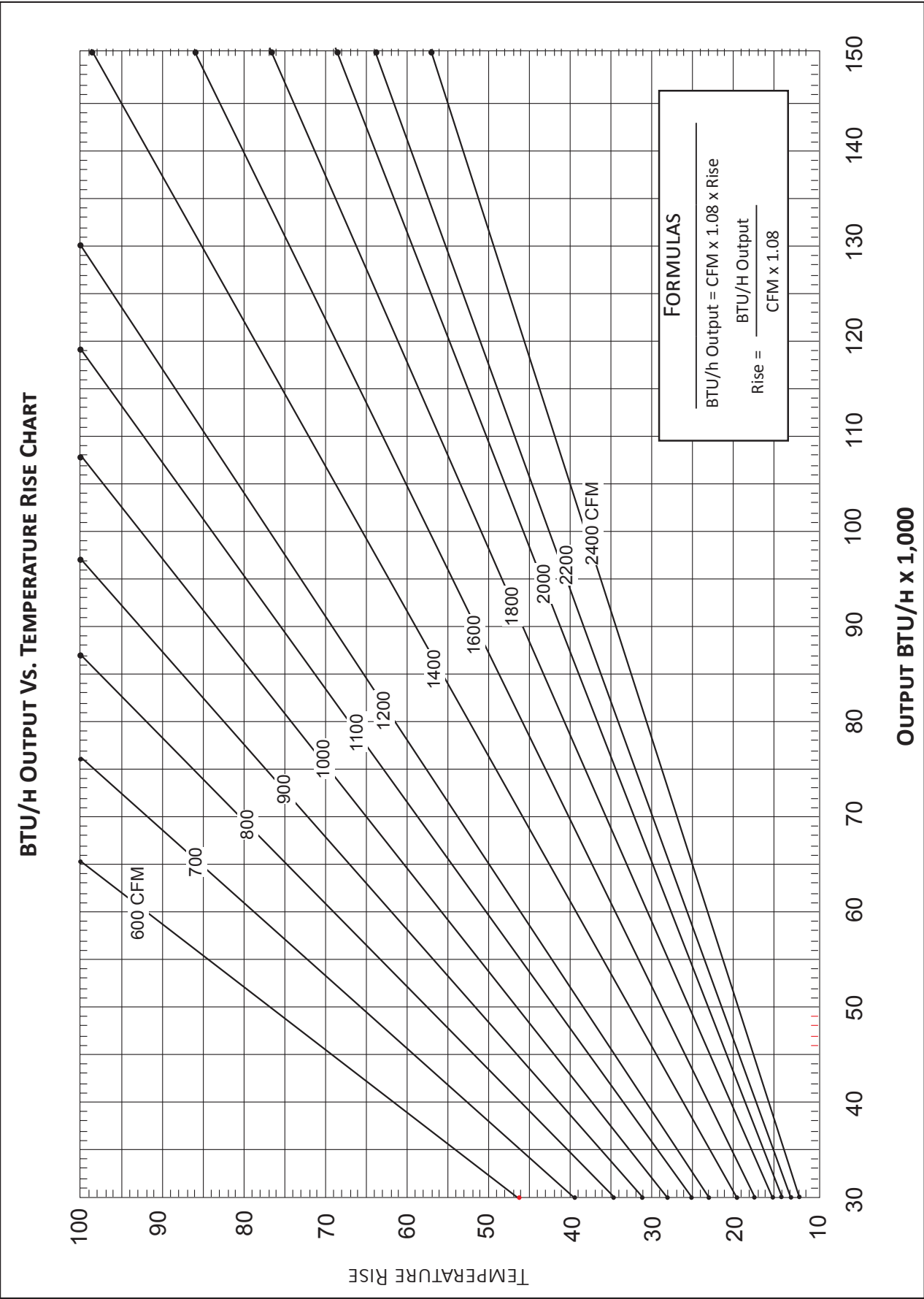
GPGM54810041 - Rise Range: 35° - 65°												
E.S.P.	T1 LOW STAGE HEATING SPEED			T2 HIGH STAGE HEATING SPEED			T3 LOW STAGE COOLING SPEED		T4 HIGH STAGE COOLING SPEED		T5 COOLING SPEED	
	CFM	WATTS	RISE	CFM	WATTS	RISE	CFM	WATTS	CFM	WATTS	CFM	WATTS
0.1	1085	171	52	1410	326	53	1326	287	1601	733	1790	641
0.2	1035	178	54	1365	329	55	1273	294	1544	744	1745	650
0.3	985	184	57	1315	337	57	1222	303	1485	751	1710	659
0.4	925	193	61	1270	353	59	1172	311	1435	760	1670	663
0.5	870	198	65	1220	360	61	1123	319	1383	766	1625	674
0.6	815	208	X	1175	372	64	1073	328	1333	779	1585	672
0.7	760	213	X	1115	375	X	1027	337	1279	787	1540	675
0.8	710	219	X	1080	381	X	978	344	1219	792	1495	683

5 Ton Models: GPGM560***41A

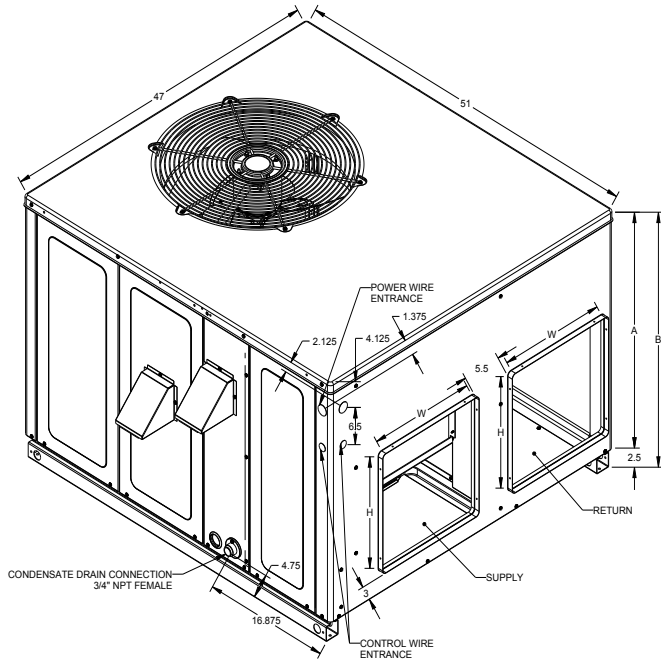
DOWN FLOW						
SPEED TAP	TORQUE %	TORQUE OZ-FT	EXTERNAL STATIC PRESSURE (ESP), IN W.C.	SCFM	RPM	BHP
T1	25	20	0.2	983	570	0.14
			0.4	833	659	0.16
			0.6	703	739	0.18
			0.8	574	808	0.19
T2	32	25.9	0.2	1175	640	0.20
			0.4	1057	714	0.22
			0.6	902	801	0.25
			0.8	790	874	0.27
T3	78	62.4	0.2	1963	883	0.66
			0.4	1858	939	0.70
			0.6	1760	990	0.74
			0.8	1668	1038	0.77
T4	78	62.4	0.2	1963	883	0.66
			0.4	1858	939	0.70
			0.6	1760	990	0.74
			0.8	1668	1038	0.77
T5	100	80	0.2	2369	2196	2.09
			0.4	2248	987	0.94
			0.6	2144	1024	0.97
			0.8	2054	1070	1.02

HORIZONTAL FLOW						
SPEED TAP	TORQUE %	TORQUE OZ-FT	EXTERNAL STATIC PRESSURE (ESP), IN W.C.	SCFM	RPM	BHP
T1	25	20	0.2	1003	606	0.14
			0.4	850	701	0.17
			0.6	718	785	0.19
			0.8	586	858	0.20
T2	32	25.9	0.2	1229	617	0.19
			0.4	1105	699	0.22
			0.6	945	795	0.24
			0.8	844	861	0.27
T3	78	62.4	0.2	2032	853	0.63
			0.4	1941	908	0.67
			0.6	1850	966	0.72
			0.8	1757	1018	0.76
T4	78	62.4	0.2	2032	853	0.63
			0.4	1941	908	0.67
			0.6	1850	966	0.72
			0.8	1757	1018	0.76
T5	100	80	0.2	2323	929	0.88
			0.4	2245	978	0.93
			0.6	2161	1028	0.98
			0.8	2080	1079	1.03

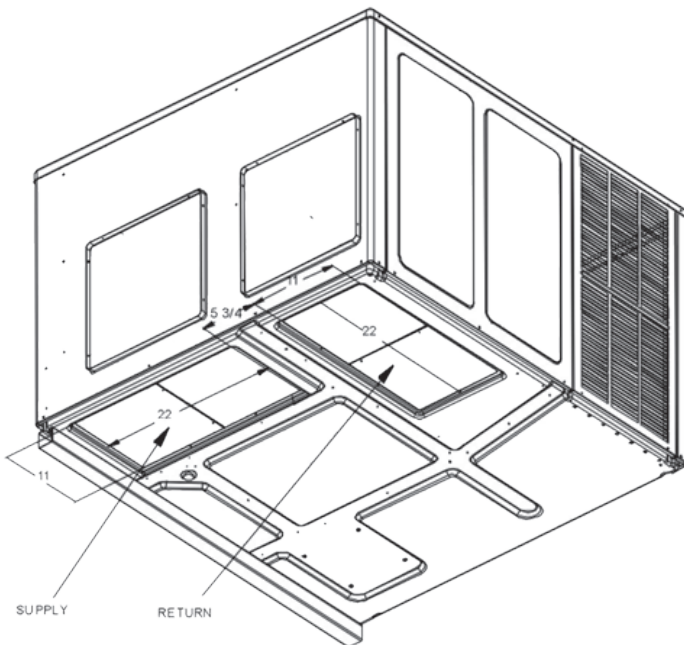
*Shaded area indicates air flow below 1500 SCFM (300 SCFM/ton) that is not recommended for High Stage cooling or heating.



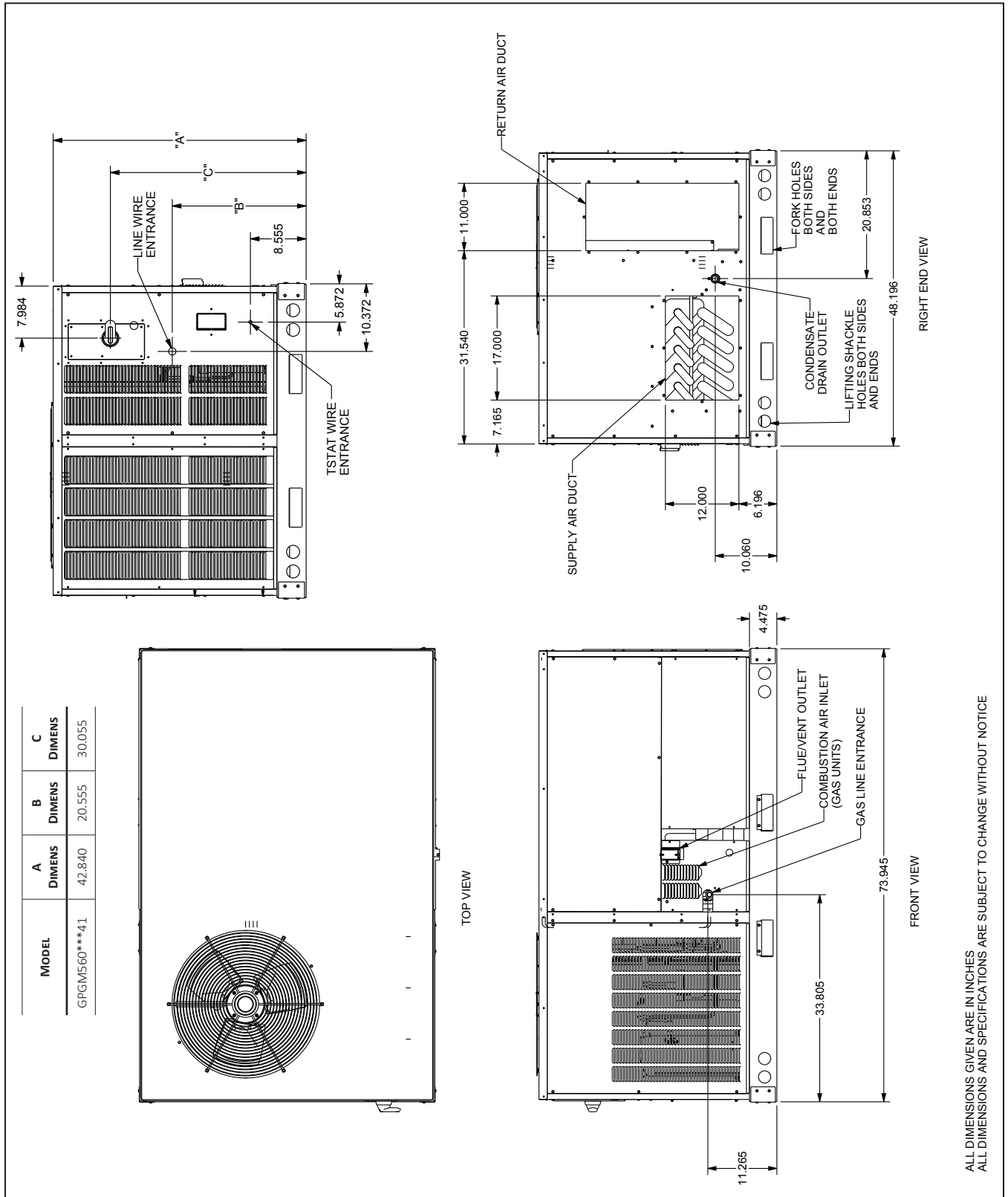
DIMENSIONS — GPGM524-60*41AA**



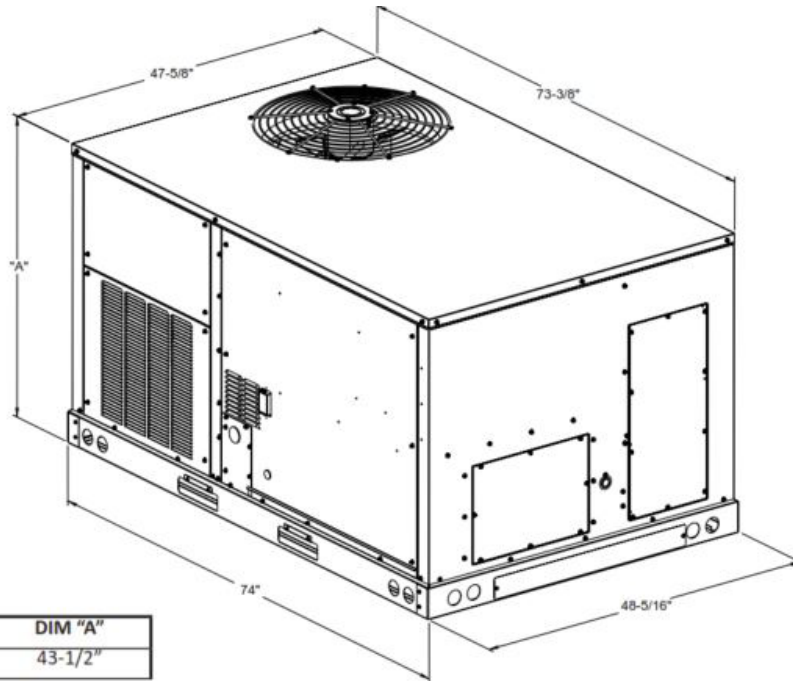
MODEL	UNIT DIMENSIONS (INCHES)				CHASSIS SIZE
			HEIGHT		
	W	D	A	B	
GPGM524***41**	47	51	32	34 1/2	Medium
GPGM530***41**	47	51	32	34 1/2	Medium
GPGM536***41**	47	51	40	42 1/2	Large
GPGM542***41**	47	51	40	42 1/2	Large
GPGM548***41**	47	51	40	42 1/2	Large
GPGM560***41**	73 3/8	47 5/8	39	43 1/2	X-Large



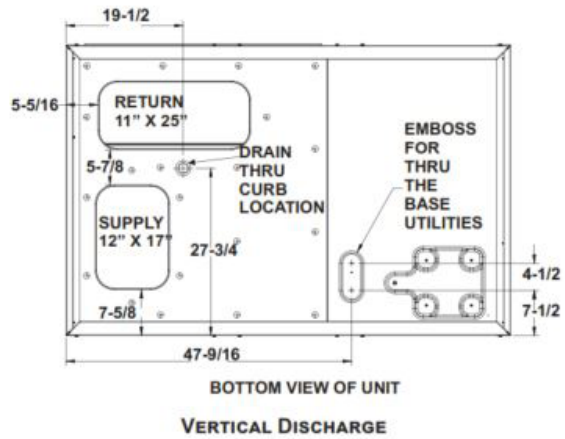
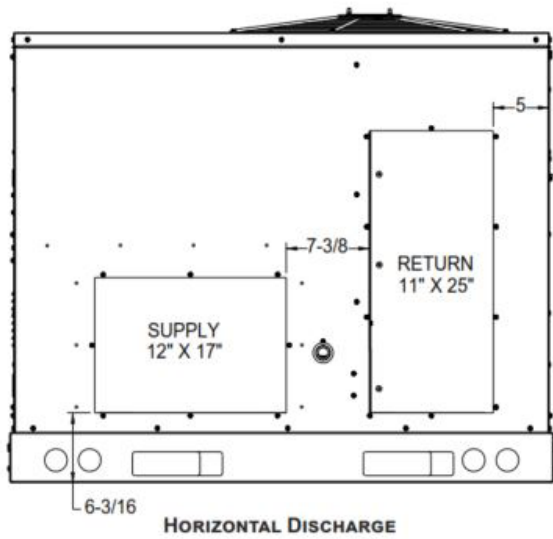
MODEL	DUCT OPENINGS			
	SUPPLY		RETURN	
	W	H	W	H
GPGM524***41**	16	16	16	16
GPGM530***41**	16	16	16	16
GPGM536***41**	16	18	16	18
GPGM542***41**	16	18	16	18
GPGM548***41**	16	18	16	18
GPGM560***41**	17	12	11	25



ALL DIMENSIONS GIVEN ARE IN INCHES
ALL DIMENSIONS AND SPECIFICATIONS ARE SUBJECT TO CHANGE WITHOUT NOTICE



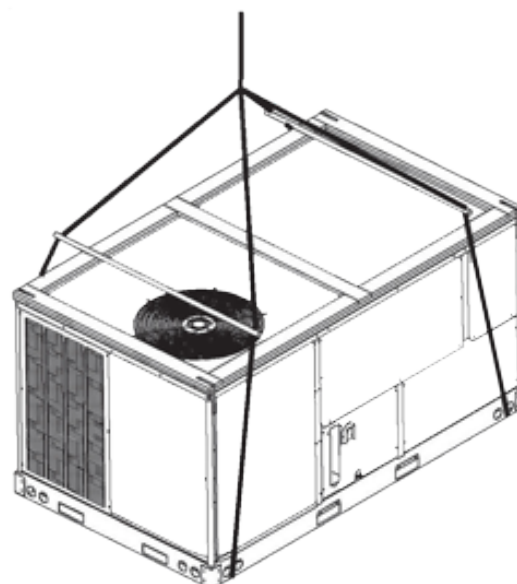
Model size	DIM "A"
5 ton	43-1/2"



NOTE: REFER TO IOD-7082 INCLUDED IN THE LITERATURE PACK FOR INSTALLING HORIZONTAL DUCT COVERS.

Provisions for forks have been included in the unit base frame. No other fork locations are approved.

- Unit must be lifted by the four lifting holes located at the base frame corners.
- Lifting cables should be attached to the unit with shackles.
- The distance between the crane hook and the top of the unit must not be less than 60".
- Two spreader bars must span over the unit to prevent damage to the cabinet by the lift cables. Spreader bars must be of sufficient length so that cables do not come in contact with the unit during transport. Remove wood struts mounted beneath unit base frame before setting unit on roof curb. These struts are intended to protect unit base frame from fork lift damage. To remove the struts, extract the sheet metal retainers and pull the struts through the base of the unit. Refer to rigging label on the unit.



Important: If using bottom discharge with roof curb, duct-work should be attached to the curb prior to installing the unit. Duct-work dimensions are shown in Roof Curb Installation Instructions Manual.

Refer to the Roof Curb Installation Instructions for proper curb installation. Curbing must be installed in compliance with the National Roofing Contractors Association Manual.

Lower unit carefully onto roof mounting curb. While rigging the unit, the center of gravity will cause the condenser end to be lower than the supply air end.

Bring condenser end of unit into alignment with the curb. With condenser end of the unit resting on curb member and using curb as a fulcrum, lower opposite end of the unit until entire unit is seated on the curb. When a rectangular cantilever curb is used, take care to center the unit. Check for proper alignment and orientation of supply and return openings with duct.

To assist in determining rigging requirements, unit weights are shown on the following page.

Curb installations must comply with local codes and should follow the established guidelines of the National Roofing Contractors Association.

Proper unit installation requires that the roof curb be firmly and permanently attached to the roof structure. Check for adequate fastening method prior to setting the unit on the curb.

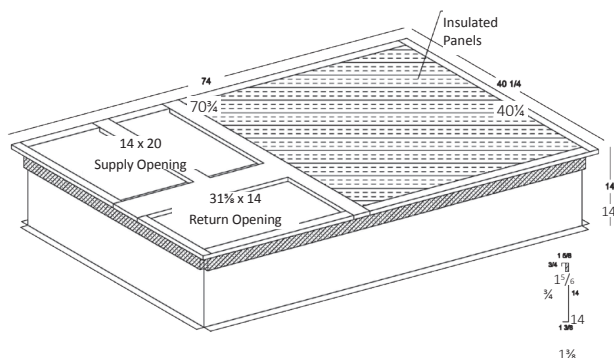
Full perimeter roof curbs are available from the factory and are shipped unassembled. The installing contractor is responsible for field assembly, squaring, leveling, and mounting on the roof structure. All required hardware necessary for the assembly of the sheet metal curb is included in the curb accessory package.

- Determine sufficient structural support before locating and mounting the curb and package unit.
- Duct-work must be constructed using industry guidelines. The duct-work must be placed into the roof curb before mounting the package unit. Our full perimeter curbs include duct connection frames to be assembled with the curb. Cantilevered-type curbs are not available from the factory.
- Contractor furnishes curb insulation, cant strips, flashing, and general roofing material.
- Support curbs on parallel sides with roof members. To prevent damage to the unit, the roof members cannot penetrate supply and return duct openings.

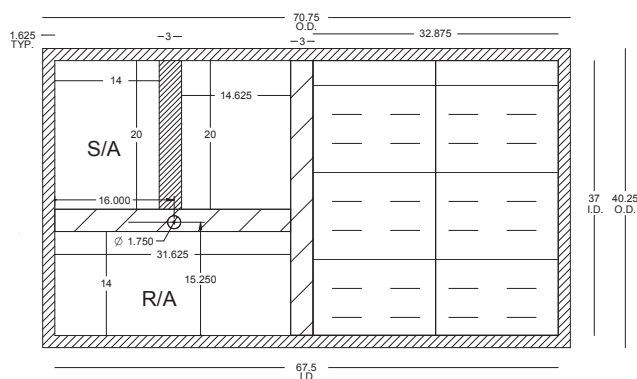
Note: The unit and curb accessories are designed to allow vertical duct installation before unit placement. Duct installation after unit placement is not recommended.

See the manual shipped with the roof curb for assembly and installation instructions.

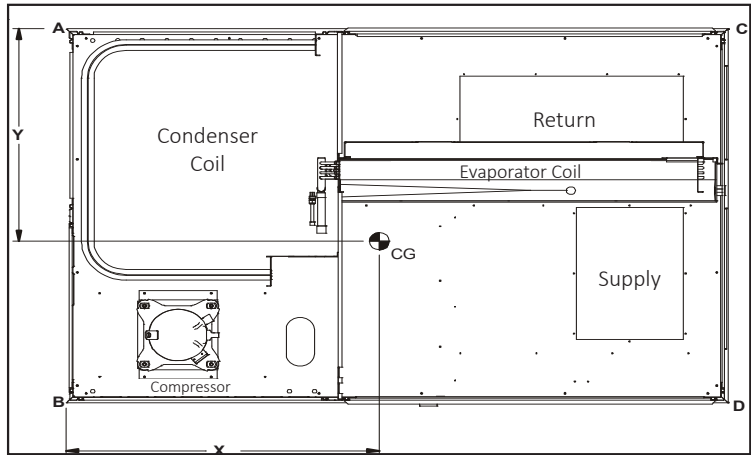
3-D VIEW



TOP VIEW



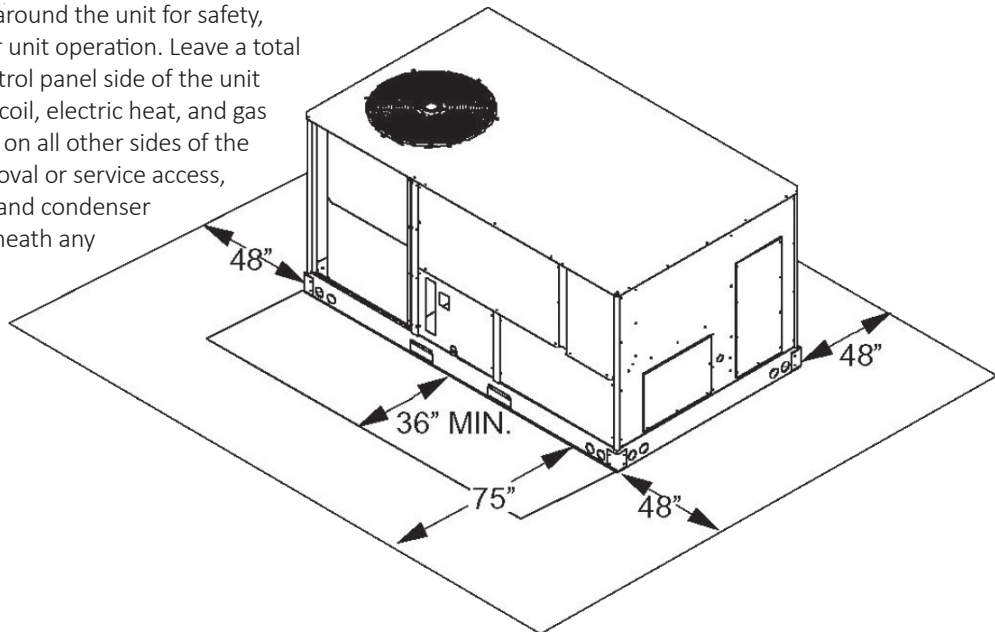
CORNER & CENTER-OF-GRAVITY LOCATIONS

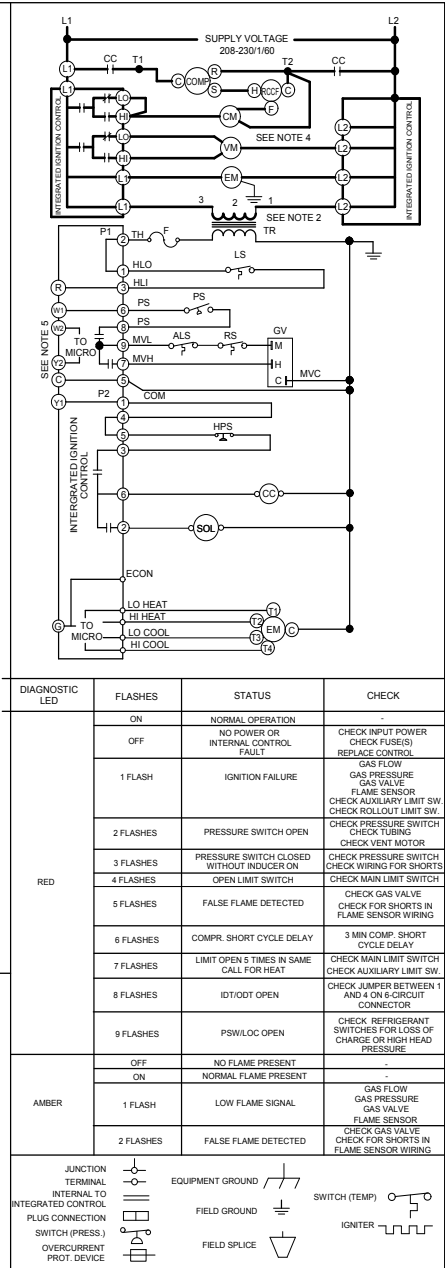
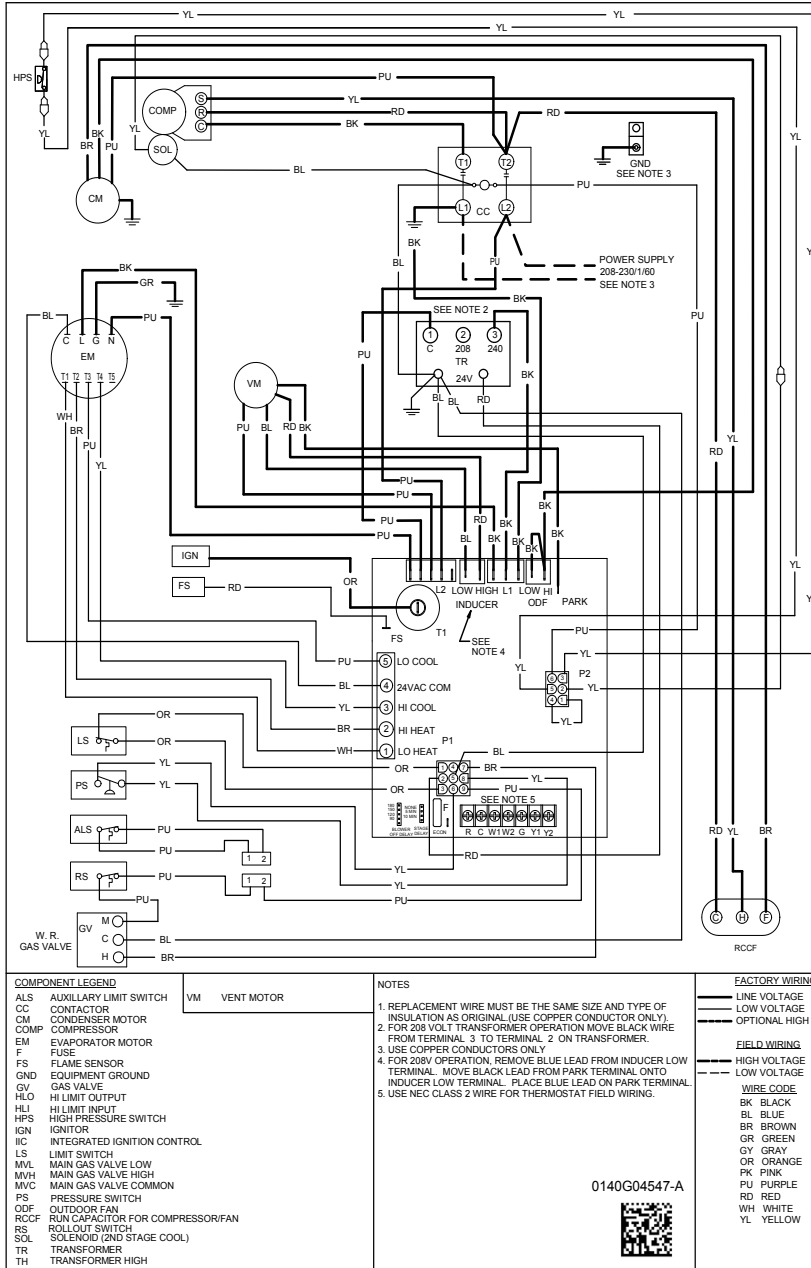


MODEL	X (IN)	Y (IN)	SHIPPING WEIGHT (LBS)	OPERATING WEIGHT (LBS)	CORNER WEIGHTS (LBS.)			
					A	B	C	D
GPGM560***41**	46.4	28.1	655	629	186	204	65	174

UNIT CLEARANCES

Maintain an adequate clearance around the unit for safety, service, maintenance, and proper unit operation. Leave a total clearance of 75" on the main control panel side of the unit for possible removal of fan shaft, coil, electric heat, and gas furnace. Leave a clearance of 48" on all other sides of the unit for possible compressor removal or service access, and to ensure proper ventilation and condenser airflow. Do not install the unit beneath any obstruction. Install the unit away from all building exhausts to inhibit ingestion of exhaust air into the unit's fresh-air intake.





COMPONENT LEGEND	
ALS	AUXILIARY LIMIT SWITCH
CC	CONTACTOR
CM	CONDENSER MOTOR
COMP	COMPRESSOR
EM	EVAPORATOR MOTOR
F	FUSE
FS	FLAME SENSOR
GND	EQUIPMENT GROUND
GV	GAS VALVE
HLO	HI LIMIT OUTPUT
HLI	HI LIMIT INPUT
HPS	HIGH PRESSURE SWITCH
IGN	IGNITOR
IC	INTEGRATED IGNITION CONTROL
LS	LIMIT SWITCH
MVL	MAIN GAS VALVE LOW
MVH	MAIN GAS VALVE HIGH
MVC	MAIN GAS VALVE COMMON
PS	PRESSURE SWITCH
ODF	OUTDOOR FAN
RCCF	RUN CAPACITOR FOR COMPRESSOR/FAN
RS	ROLLOUT SWITCH
SOL	SOLENOID (2ND STAGE COOL)
TR	TRANSFORMER
TH	TRANSFORMER HIGH
VM	VENT MOTOR

- NOTES**
- REPLACEMENT WIRE MUST BE THE SAME SIZE AND TYPE OF INSULATION AS ORIGINAL (USE COPPER CONDUCTOR ONLY).
 - FOR 208 VOLT TRANSFORMER OPERATION MOVE BLACK WIRE FROM TERMINAL 3 TO TERMINAL 2 ON TRANSFORMER.
 - USE COPPER CONDUCTORS ONLY.
 - FOR 208V OPERATION, REMOVE BLUE LEAD FROM INDUCER LOW TERMINAL. MOVE BLACK LEAD FROM PARK TERMINAL ONTO INDUCER LOW TERMINAL. PLACE BLUE LEAD ON PARK TERMINAL.
 - USE NEC CLASS 2 WIRE FOR THERMOSTAT FIELD WIRING.

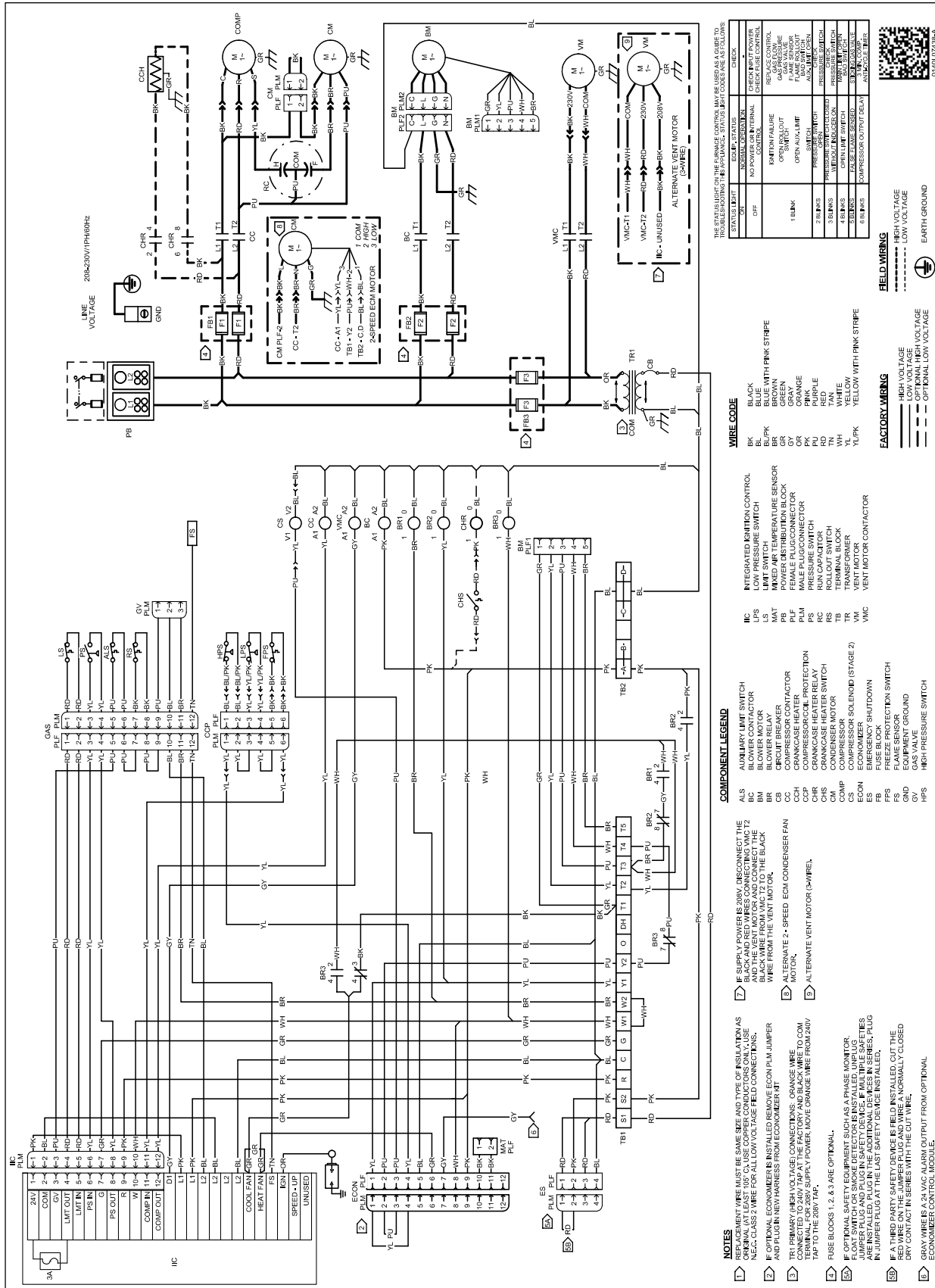
- FACTORY WIRING**
- LINE VOLTAGE
 - - - LOW VOLTAGE
 - · - · - OPTIONAL HIGH VOLTAGE
- FIELD WIRING**
- HIGH VOLTAGE
 - - - LOW VOLTAGE
- WIRE CODE**
- BK BLACK
 - BL BLUE
 - BR BROWN
 - GR GREEN
 - GY GRAY
 - OR ORANGE
 - PK PINK
 - PU PURPLE
 - RD RED
 - WH WHITE
 - YL YELLOW

DIAGNOSTIC LED	FLASHES	STATUS	CHECK
RED	ON	NORMAL OPERATION	-
	OFF	NO POWER OR INTERNAL CONTROL FAULT	CHECK INPUT POWER CHECK FUSE(S) REPLACE CONTROL
	1 FLASH	IGNITION FAILURE	GAS FLOW GAS PRESSURE GAS VALVE FLAME SENSOR CHECK AUXILIARY LIMIT SW CHECK ROLLOUT LIMIT SW
	2 FLASHES	PRESSURE SWITCH OPEN	CHECK PRESSURE SWITCH CHECK TUBING CHECK VENT MOTOR
	3 FLASHES	PRESSURE SWITCH CLOSED WITHOUT INDUCER ON	CHECK PRESSURE SWITCH CHECK WIRING FOR SHORTS
	4 FLASHES	OPEN LIMIT SWITCH	CHECK MAIN LIMIT SWITCH
	5 FLASHES	FALSE FLAME DETECTED	CHECK GAS VALVE CHECK FOR SHORTS IN FLAME SENSOR WIRING
	6 FLASHES	COMPR. SHORT CYCLE DELAY	3 MIN COMP. SHORT CYCLE DELAY
	7 FLASHES	LIMIT OPEN 5 TIMES IN SAME CALL FOR HEAT	CHECK MAIN LIMIT SWITCH CHECK AUXILIARY LIMIT SW.
AMBER	OFF	NO FLAME PRESENT	-
	ON	NORMAL FLAME PRESENT	-
	1 FLASH	LOW FLAME SIGNAL	GAS FLOW GAS PRESSURE GAS VALVE FLAME SENSOR
	2 FLASHES	FALSE FLAME DETECTED	CHECK GAS VALVE CHECK FOR SHORTS IN FLAME SENSOR WIRING

Wiring is subject to change. Always refer to the wiring diagram or the unit for the most up-to-date wiring.

WARNING

High Voltage: Disconnect all power before servicing or installing this unit. Multiple power sources may be present. Failure to do so may cause property damage, personal injury, or death.



THE STATUS LIGHT ON THE SERVICE CONTROL MAY BE USED AS A GUIDE TO TROUBLESHOOTING THE APPLIANCE. STATUS LIGHT CODES ARE AS FOLLOWS:

STATUS LIGHT	COMP. STATUS	CONTROL	CHECK
OFF	NO POWER ON INTERNAL CONTROL		CHECK WAT POWER
1 BLINK	IDENTIFICATION FAILURE		CHECK WIRE CONNECTIONS TO THE CONTROL
2 BLINKS	OPEN A.U.A. LIMIT SWITCH		CHECK A.U.A. VALVE
3 BLINKS	PRESSURE SWITCH FAILURE		CHECK PRESSURE SWITCH
4 BLINKS	FLAME SENSING FAILURE		CHECK FLAME SENSING
5 BLINKS	FLAME SENSING FAILURE		CHECK FLAME SENSING
6 BLINKS	FLAME SENSING FAILURE		CHECK FLAME SENSING
7 BLINKS	FLAME SENSING FAILURE		CHECK FLAME SENSING
8 BLINKS	FLAME SENSING FAILURE		CHECK FLAME SENSING
9 BLINKS	FLAME SENSING FAILURE		CHECK FLAME SENSING
10 BLINKS	FLAME SENSING FAILURE		CHECK FLAME SENSING
11 BLINKS	FLAME SENSING FAILURE		CHECK FLAME SENSING
12 BLINKS	FLAME SENSING FAILURE		CHECK FLAME SENSING

WIRE CODE

BK	BLACK
BL/PK	BLUE WITH PINK STRIPE
BR	BROWN
GR	GREEN
OR	ORANGE
PK	PINK
RD	RED
WH	WHITE
YL	YELLOW
YL/PK	YELLOW WITH PINK STRIPE

FIELD WIRING

---	HIGH VOLTAGE
- - - -	LOW VOLTAGE
---	OPTIONAL HIGH VOLTAGE
---	OPTIONAL LOW VOLTAGE
⊕	EARTH GROUND

COMPONENT LEGEND

ALS	AUXILIARY LIMIT SWITCH
BM	BLOWER MOTOR
BR	CIRCUIT BREAKER
CC	COMPRESSOR CONTACTOR
CCH	CRANKCASE HEATER
CHR	CRANKCASE HEATER RELAY
CHS	CONDENSER MOTOR
CM	COMPRESSOR SOLENOID (STAGE 2)
ECON	ECONOMIZER
ES	EMERGENCY SHUTDOWN
FS	FREZE PROTECTION SWITCH
FS	FLAME SENSOR
GRD	EQUIPMENT GROUND
HPS	HIGH PRESSURE SWITCH
IC	INTEGRATED IGNITION CONTROL
LS	LIMIT SWITCH
MAT	MIXED AIR TEMPERATURE SENSOR
PE	POWER DISTRIBUTION BLOCK
PLM	MALE PLUG CONNECTOR
PS	PRESSURE SWITCH
RC	RUN CAPACITOR
TS	TRANSFORMER
TR	VENT MOTOR CONTACTOR
VMI	VENT MOTOR CONTACTOR
VMC	VENT MOTOR CONTACTOR

NOTES

- REPLACEMENT WIRE MUST BE THE SAME SIZE AND TYPE OF INSULATION AS ORIGINAL. USE THE SAME COLOR AND GAUGE. USE THE SAME TYPE OF WIRE. USE THE SAME TYPE OF WIRE FOR THE SAME TYPE OF WIRE.
- IF OPTIONAL ECONOMIZER IS INSTALLED, REMOVE ECON PLUG JUMPER AND PLUG IN NEW WIRE FROM ECONOMIZER AT.
- TR1 PRIMARY WIRE VOLTAGE CONNECTIONS, ORANGE WIRE CONNECTED TO 240V TAP AT THE FACTORY AND BLACK WIRE TO COMMON TERMINAL. FOR 208V SUPPLY POWER, MOVE ORANGE WIRE FROM 240V TAP TO THE 208V TAP.
- FUSE BLOCKS 1, 2 & 3 ARE OPTIONAL.
- IF OPTIONAL SAFETY EQUIPMENT SUCH AS A PHASE MONITOR, ECONOMIZER, OR FREEZE PROTECTION SWITCH IS INSTALLED, PLUG IN THE ADDITIONAL DEVICES IN SERIES. PLUG IN JUMPER PLUG AT THE LAST SAFETY DEVICE INSTALLED.
- A THIRD PARTY SAFETY DEVICE IS FIELD INSTALLED, CUT THE WIRE TO THE SAFETY DEVICE AND ORIGINAL WIRE, ORIGINAL WIRE, DRY CONTACT IN SERIES WITH THE CUT WIRE.
- GRAY WIRE IS A 24 VAC ALARM OUTPUT FROM OPTIONAL ECONOMIZER CONTROL MODULE.

FACTORY WIRING

---	HIGH VOLTAGE
- - - -	LOW VOLTAGE
---	OPTIONAL HIGH VOLTAGE
---	OPTIONAL LOW VOLTAGE
⊕	EARTH GROUND

WIRING DIAGRAM

High Voltage: Disconnect all power before servicing or installing this unit. Multiple power sources may be present. Failure to do so may cause property damage, personal injury, or death.

FOR GPGM524-48*41** UNITS**

ACCESSORY DESCRIPTION	ITEM NUMBER	
	MEDIUM CHASSIS	LARGE CHASSIS
Concentric Kit	CDK36	CDK4872
Downflow Economizer	PGEDJ101/102	PGEDJ103
Downflow Internal Filter Rack (with economizer)	DDNIFRPGMM	N/A (built into economizer)
Downflow Internal Filter Rack (no economizer)	DDNIFRPGA	DDNIFRPGA
Downflow Manual Damper	PGMDD101/102	PGMDD103
Downflow Motorized Damper	PGMDMD101/102	PGMDMD103
Downflow Square to Round	SQRPG101/102	SQRPG103
Economizer Wiring Harness (2-4 Tons)	0259L00412	0259L00412
External Horizontal Filter Rack	DPHFRA	DPHFRA
Flue Extension Kit	FLHDKT-1	FLHDKT-1
High-Altitude Kit	HA-03	HA-03
Horizontal Duct Cover	20464501PDGK	20464502PDGK
Horizontal Economizer	DHZECNJP GCHM	DHZECNJP GCHL
Horizontal Manual Damper	PGMDH102	PGMDH103
Horizontal Motorized Damper	PGMDMH102	PGMDMH103
Horizontal Square to Round	SQRPGH101/102	SQRPGH103
Internal Horizontal Filter Rack	DHZIFRPGCHA	DHZIFRPGCHA
LP Conversion Kit	LPM-08	LPM-08
Outdoor Thermostat with Housing	OTDFPKG-01	OTDFPKG-01
Roof Curb	D14CRBPGCHMA	D14CRBPGCHMA

For GPGM560*41AA UNITS**

ITEM #	DESCRIPTION
0221L00014	14" Roof Curb
0270L01166	25% Manual Fresh Air Damper
0270L01165	25% Motorized Fresh Air Damper
0270L01338	Concentric Duct Adapter Kit 18"
0270L01753	Downflow Low-Leak Economizer Enthalpy
0270L01755	Downflow Ultra Low-Leak Economizer Enthalpy
0270L01757	Horizontal Ultra Low-Leak Economizer Enthalpy
0270L01250	Hurricane Restraint Clips (for 0221L00014 Roof Curb)
0270L01261	Hurricane Restraint Clips
HAKT036150	High Altitude Kit
LPHE-036072	LP Conversion Kit
HEFLUE048060	Flue Extension Kit

