



RESIDENTIAL & LIGHT DUTY COMMERCIAL GAS REPLACEMENT PARTS LIST

Through-The-Wall (TTW®) (RG1PV, RG2PV, LG2PV) Models



DEFENDER
SAFETY SYSTEM®

Includes Hydrojet®
Total Performance System

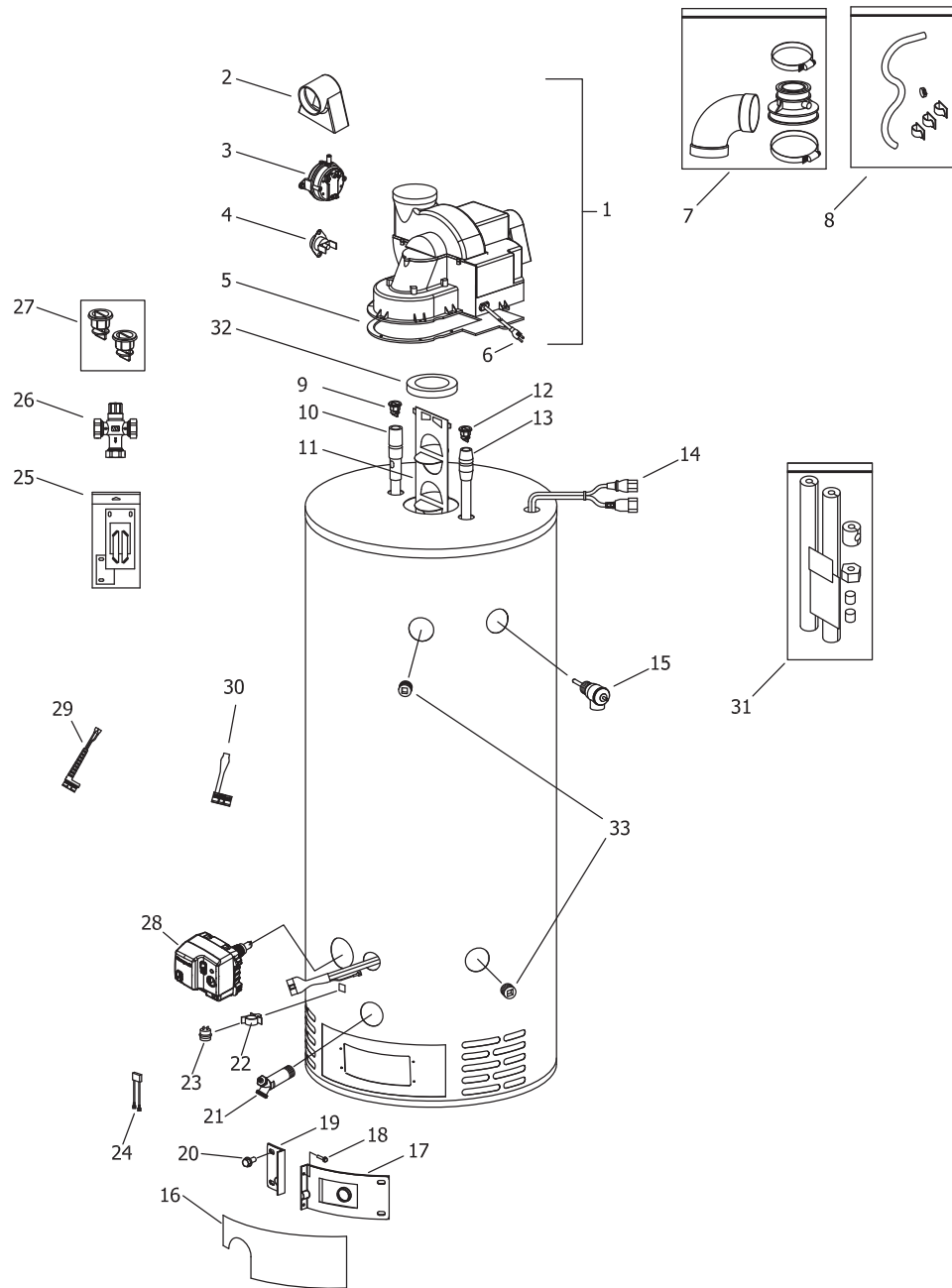
Effective: August, 2018
ECO 8117

NOTE: BOTH MODEL AND SERIAL
NUMBERS ARE REQUIRED FOR
ORDERING REPLACEMENT PARTS

Dimensions and specifications
subject to change without notice.



As required by the state of California Proposition 65.



Item Description	Model	Model	Model	Model
	RG1PV40S*(N,X)	RG1PV50S*(N,X)	RG2PV40T*(N,X)	RG2PV50T*(N,X)
1 Blower Complete	265-45584-00	265-45584-00	265-48685-00	265-48685-00
Universal SVC Blower Kit	265-47200-00	265-47200-00	---	---
Blower Complete High Altitude	239-45987-00	239-45987-00	239-48686-00	239-45986-00
2 Air Mixing Inlet	239-45868-00	239-45868-00	239-45868-00	239-45868-00
3 Pressure Switch	239-45867-01	239-45867-01	239-47815-03	239-47815-03
Pressure Switch High Altitude	239-45867-03	239-45867-03	239-47815-04	239-45867-01
4 Blower Temperature Switch	239-48752-00	239-48752-00	239-48752-00	239-48752-00
5 Blower Gasket	239-45866-00	239-45866-00	239-45866-00	239-45866-00
6 Blower Power Cord	239-45990-00	239-45990-00	239-45990-00	239-45990-00
7 2" Exhaust Adaptor w/Vent Terminal	239-46263-00	239-46263-00	239-46263-00	239-46263-00
3" Exhaust Adaptor w/Vent Terminal	---	---	---	---
8 Condensate Hose Kit (Optional)	239-45875-00	239-45875-00	239-45875-00	239-45875-00
9 Heat Trap Insert (Outlet)	239-45167-00	239-45167-00	239-45167-00	239-45167-00
10 Hot Water Outlet Anode (Magnesium)▲#	224-47776-19	224-47776-19	224-47776-19	224-47776-19
Hot Water Outlet (Aluminum)▲#	224-32999-42	224-32999-42	224-32999-42	224-32999-42
Hot Water Outlet (A420 Aluminum)▲#	224-49560-08	224-49560-08	224-49560-08	224-49560-08
11 Flue Baffle	243-45372-00	243-45372-00	243-48689-00	243-48689-00
12 Heat Trap Insert (Inlet)	239-51556-00	239-51556-00	239-45167-00	239-45167-00
13 Cold Water Inlet Dip Tube (PEX)▲▲	229-51230-25	229-51230-25	229-45092-06	229-45092-06
14 Safety Circuit Wire Harness	239-45617-03	239-45617-03	239-45617-02	239-45617-02
15 T&P Relief Valve	230-40594-02	230-40594-02	230-40594-02	230-40594-02
16 Outer Door	243-43962-00	243-43962-00	243-43962-00	243-43962-00
17 Right Side Inner Door Complete	239-45642-18	239-45642-20	239-43963-16	239-45642-18
18 Screw-#8-18 x 3/4 HWH	239-44195-00	239-44195-00	239-44195-00	239-44195-00
19 Left Side Inner Door Complete	239-43968-18	239-43968-20	239-43968-16	239-43968-18
20 Screw-#10-12 x 3/4 HWH	239-44113-00	239-44113-00	239-44113-00	239-44113-00
21 Brass Drain Valve	265-42351-02	265-42351-02	265-42351-02	265-42351-02
22 Flammable Vapor Sensor Clip	239-45648-00	239-45648-00	239-45648-00	239-45648-00
23 Flammable Vapor Sensor	239-45560-00	239-45560-00	239-45560-00	239-45560-00
24 Flammable Vapor Sensor Harness	239-49791-00	239-49791-00	239-49791-00	239-49791-00
25 Inner Door Gasket Kit	239-44078-00	239-44078-00	239-44078-00	239-44078-00
26 ASSE Approved Mixing Valve (Optional)	239-51778-00	239-51778-00	239-51778-00	239-51778-00
27 Kit-Heat Trap Insert	265-51572-00	265-51572-00	265-45420-00	265-45420-00
28 Gas Valve Natural Gas	239-48795-01	239-48795-01	239-48795-02	239-48795-02
Gas Valve LP Gas	239-48796-01	239-48796-01	239-48796-02	239-48796-02
29 Flammable Vapor Sensor Harness	239-49791-00	239-49791-00	239-49791-00	239-49791-00
30 Simulated Resistive Device Harness	---	---	---	---
31 Insulation Kit	239-48949-00	239-48949-00	239-48949-00	239-48949-00
32 Flue Reducer	---	---	---	---
33 3/4" NPT Pipe Plug	---	---	---	---

*Applies to all warranties

**Inner door gasket kit recommended

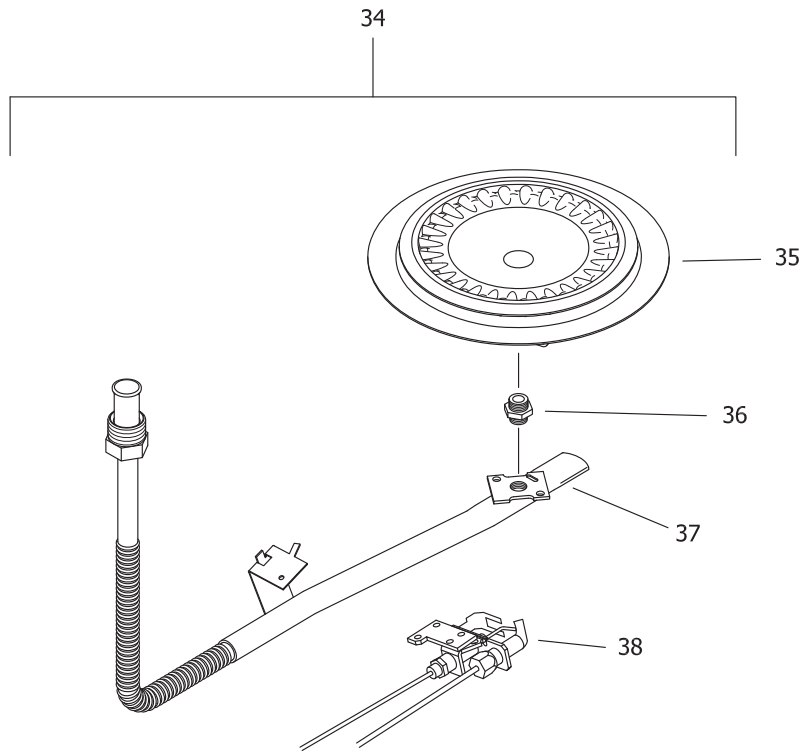
***Ordering a complete burner assembly may increase delivery time. Please order the specific component required for the quickest delivery.

Anode may need to be cut to length

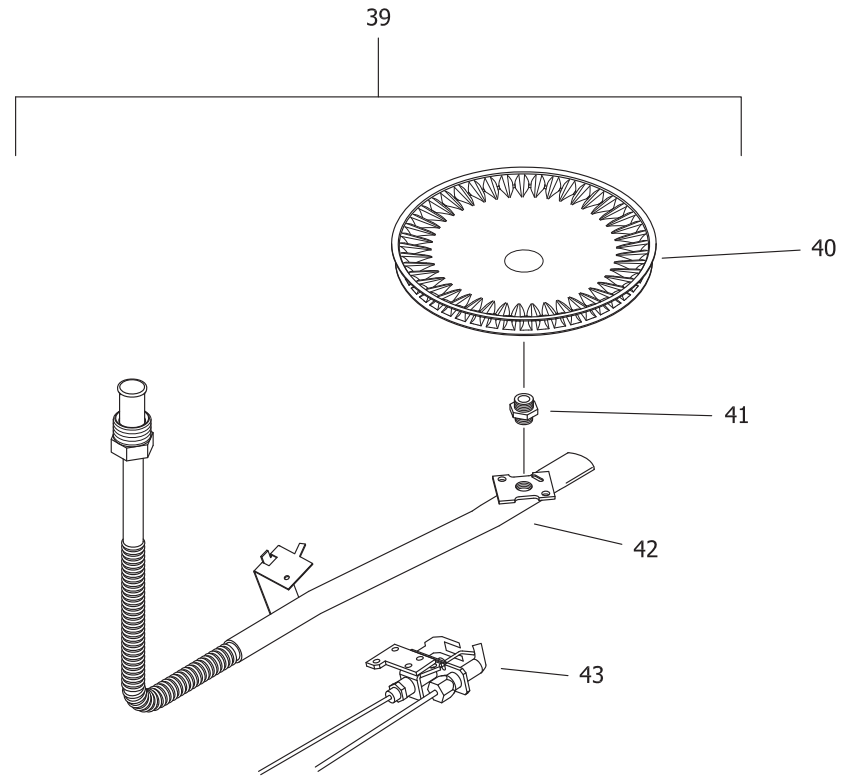
▲ Order with item 9

▲▲ Order with item 12

◆ (R,L)G2PV75H and (R,L)G1PV55H models are not flammable vapor compliant.



NATURAL GAS (BN) BURNER ASSEMBLY



LP GAS (SX) BURNER ASSEMBLY

LP GAS (SX) BURNER ASSEMBLY TO REPLACE LP GAS (CX) BURNER ASSEMBLY

Item Description	Model	Model	Model	Model
	RG1PV40S*(N,X)	RG1PV50S*(N,X)	RG2PV40T*(N,X)	RG2PV50T*(N,X)
Natural Gas Burner Assembly				
34 Nat Gas Burner Assembly Complete***	265-47439-06-32	265-47439-09-32	265-47439-06-32	265-47439-09-32
35 Nat. Gas (N) Burner**	228-42506-00	228-42506-00	228-42506-00	228-42506-00
36 Nat. Gas (N) Main Burner Orifice 0 Ft. to 2,000 Ft. **	234-41034-32	234-41034-32	234-41034-32	234-41034-32
Nat. Gas (N) High Altitude 0 to 7000 Ft. (-475 model suffixes) **	234-41034-36	234-41034-36	234-41034-36	234-41034-36
Nat. Gas (N) High Altitude Kit (7,001 Ft. to 10,000 Ft.)	265-51380-04-40	265-51380-04-40	265-51380-07-40	265-51380-07-40
37 Nat. Gas Feedline	233-45615-01	233-45615-02	233-45615-01	233-45615-02
38 Nat. Gas Pilot Assembly**	233-45653-05	233-45653-05	233-45653-05	233-45653-05
LP Gas Burner Assembly				
39 LP Gas Burner Assembly Complete***	265-47440-09-50	265-47440-15-50	265-47440-09-50	265-47440-10-50
40 LP Gas (X) Burner**	228-46964-00	228-46964-00	228-46964-00	228-47000-00
41 LP Gas (X) Main Burner Orifice 0 Ft. to 2,000 Ft. **	234-47064-50	234-47064-50	234-47064-50	234-47064-50
LP Gas (X) High Altitude Orifice 0 Ft. to 7000 Ft. (-475 model suffixes) **	234-47064-52	234-47064-52	234-47064-52	234-47064-52
LP Gas (X) High Altitude Orifice Kit 7,001 Ft. to 10,000 Ft.	265-51433-06-53	265-51433-06-53	265-51433-07-53	265-51433-07-53
42 LP Feedline	233-47109-01	233-47109-02	233-47109-01	233-47109-02
43 LP Gas Pilot Assembly**	233-45653-04	233-45653-04	233-45653-04	233-45653-04
LP to Nat. Gas Conversion Kit (Norm Alt.) 0 Ft. to 2,000 Ft.	265-46493-02	265-46493-06	265-46493-83	265-46493-68
LP to Nat. Gas Conversion Kit (High Alt.) 0 Ft. to 7,000 Ft. (-475 model suffixes)	265-46493-96	265-46493-97	265-46493-98	265-46493-99

*Applies to all warranties.

**Inner door gasket kit recommended.

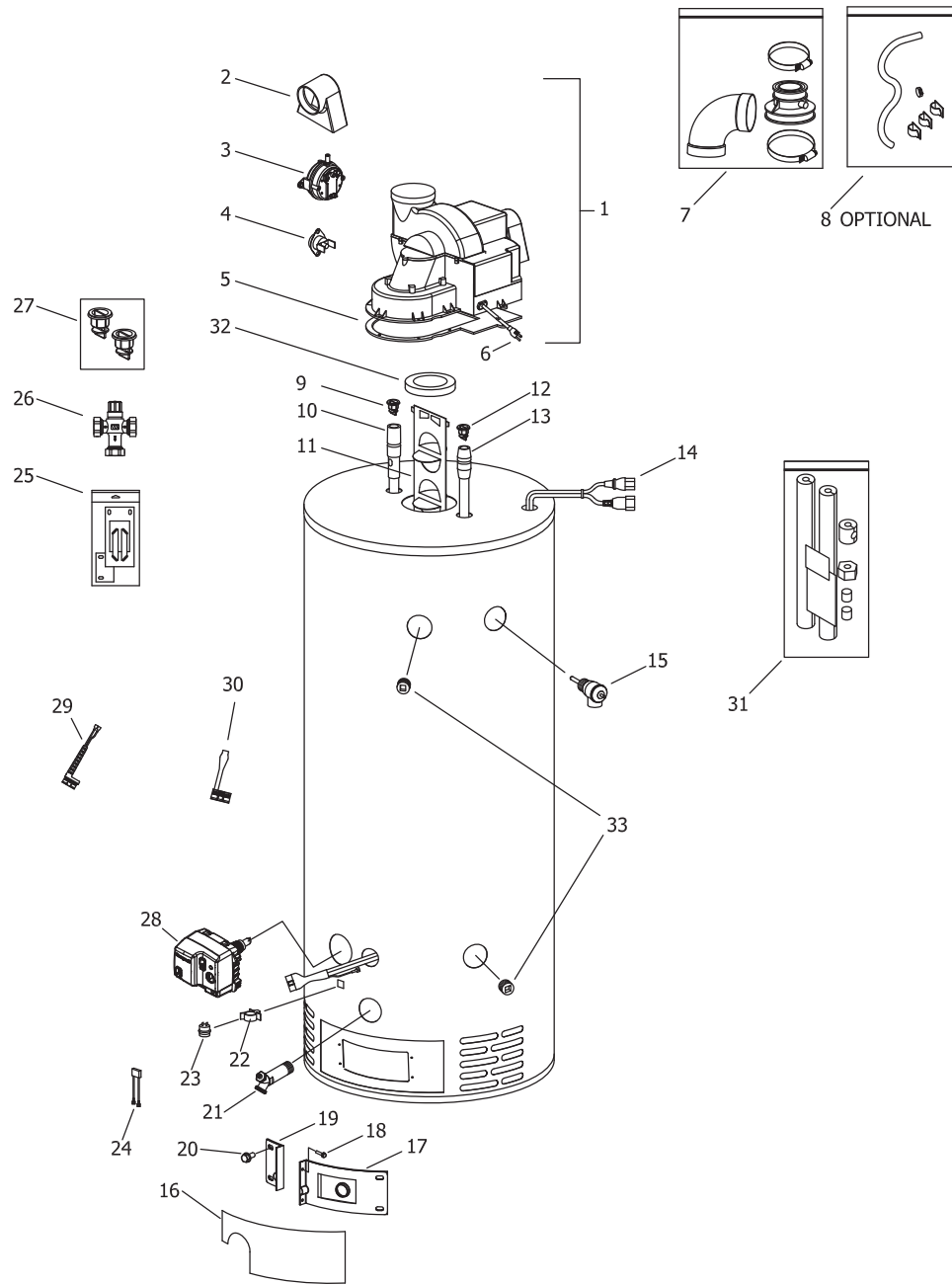
***Ordering a complete burner assembly may increase delivery time. Please order the specific component required for the quickest delivery.

Anode may need to be cut to length.

▲ Order with item 9.

▲▲ Order with item 12.

◆ (R,L)G2PV75H and (R,L)G1PV55H models are not flammable vapor compliant.



Item Description	Model	Model
	RG2PV40S*(N,X)	RG2PV50S*(N,X)
1 Blower Complete	265-45584-00	265-45584-00
Universal SVC Blower Kit	265-47200-00	265-47200-00
Blower Complete High Altitude	239-45987-00	239-45987-00
2 Air Mixing Inlet	239-45868-00	239-45868-00
3 Pressure Switch	239-45867-01	239-45867-01
Pressure Switch High Altitude	239-45867-03	239-45867-03
4 Blower Temperature Switch	239-48752-00	239-48752-00
5 Blower Gasket	239-45866-00	239-45866-00
6 Blower Power Cord	239-45990-00	239-45990-00
7 2" Exhaust Adaptor w/Vent Terminal	239-46263-00	239-46263-00
3" Exhaust Adaptor w/Vent Terminal	---	---
8 Condensate Hose Kit (Optional)	239-45875-00	239-45875-00
9 Heat Trap Insert (Outlet)	239-45167-00	239-45167-00
10 Hot Water Outlet Anode (Magnesium)▲#	224-47776-19	224-47776-19
Hot Water Outlet (Aluminum)#	224-32999-42	224-32999-42
Hot Water Outlet (A420 Aluminum)▲#	224-49560-08	224-49560-08
11 Flue Baffle	243-45372-00	243-45372-00
12 Heat Trap Insert (Inlet)	239-51556-00	239-51556-00
13 Cold Water Inlet Dip Tube (PEX)▲▲	229-51230-25	229-51230-25
14 Safety Circuit Wire Harness	239-45617-03	239-45617-03
15 T&P Relief Valve	230-40594-02	230-40594-02
16 Outer Door	243-43962-00	243-43962-00
17 Right Side Inner Door Complete	239-45642-18	239-45642-20
18 Screw-#8-18 x 3/4 HWH	239-44195-00	239-44195-00
19 Left Side Inner Door Complete	239-43968-18	239-43968-20
20 Screw-#10-12 x 3/4 HWH	239-44113-00	239-44113-00
21 Brass Drain Valve	265-42351-02	265-42351-02
22 Flammable Vapor Sensor Clip	239-45648-00	239-45648-00
23 Flammable Vapor Sensor	239-45560-00	239-45560-00
24 Flammable Vapor Sensor Harness	239-49791-00	239-49791-00
25 Inner Door Gasket Kit	239-44078-00	239-44078-00
26 ASSE Approved Mixing Valve (Optional)	239-43740-01	239-43740-01
27 Kit-Heat Trap Insert	239-51778-00	239-51778-00
28 Gas Valve Natural Gas	239-48795-02	239-48795-02
Gas Valve LP Gas	239-48796-02	239-48796-02
29 Flammable Vapor Sensor Harness	239-49791-00	239-49791-00
30 Simulated Resistive Device Harness	---	---
31 Insulation Kit	239-48949-00	239-48949-00
32 Flue Reducer	---	---
33 3/4" NPT Pipe Plug	---	---

*Applies to all warranties

**Inner door gasket kit recommended

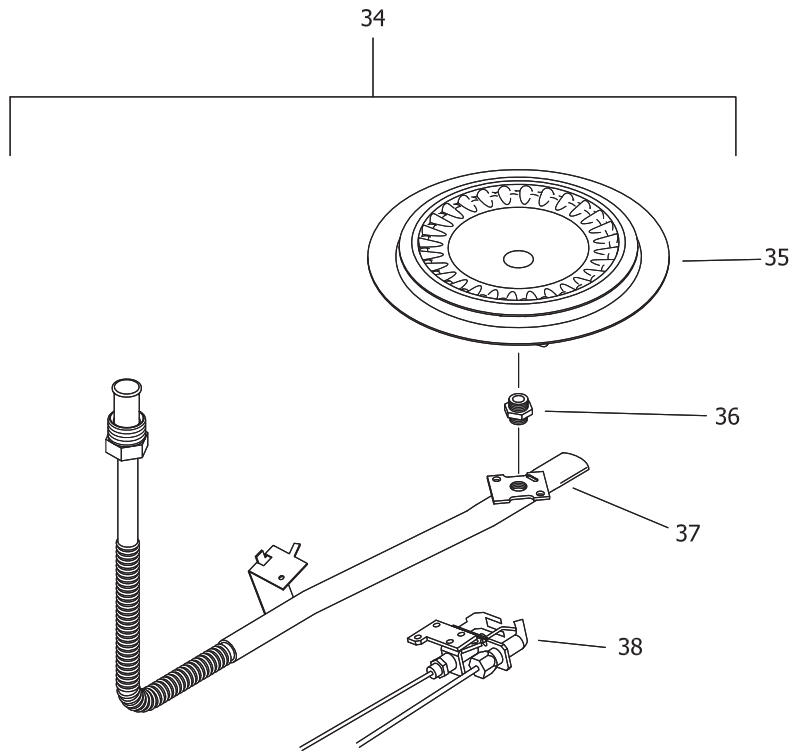
***Ordering a complete burner assembly may increase delivery time. Please order the specific component required for the quickest delivery.

Anode may need to be cut to length

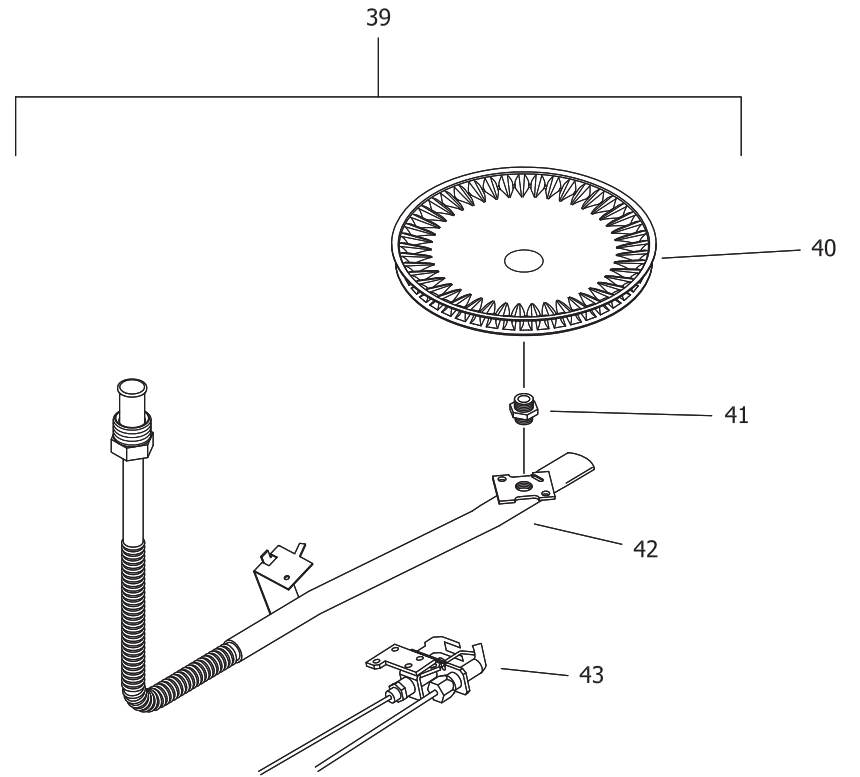
▲ Order with item 9

▲▲ Order with item 12

◆ (R,L)G2PV75H and (R,L)G1PV55H models are not flammable vapor compliant.



NATURAL GAS (BN) BURNER ASSEMBLY



LP GAS (SX) BURNER ASSEMBLY

LP GAS (SX) BURNER ASSEMBLY TO REPLACE LP GAS (CX) BURNER ASSEMBLY

Item Description	Model	Model
	RG2PV40S*(N,X)	RG2PV50S*(N,X)
Natural Gas Burner Assembly		
34 Nat Gas Burner Assembly Complete***	265-47439-09-32	265-47439-09-32
35 Nat. Gas (N) Burner**	228-42506-00	228-42506-00
36 Nat. Gas (N) Main Burner Orifice 0 Ft. to 2,000 Ft. **	234-41034-32	234-41034-32
Nat. Gas (N) High Altitude 0 to 7000 Ft. (-475 model suffixes) **	234-41034-36	234-41034-36
Nat. Gas (N) High Altitude Kit (7,001 Ft. to 10,000 Ft.)	265-51380-04-40	265-51380-04-40
37 Nat. Gas Feedline	233-45615-02	233-45615-04
38 Nat. Gas Pilot Assembly**	233-45653-05	233-45653-05
LP Gas Burner Assembly		
39 LP Gas Burner Assembly Complete***	265-47440-09-50	265-47440-15-50
40 LP Gas (X) Burner**	228-46964-00	228-46964-00
41 LP Gas (X) Main Burner Orifice 0 Ft. to 2,000 Ft. **	234-47064-50	234-47064-50
LP Gas (X) High Altitude Orifice 0 Ft. to 7000 Ft. (-475 model suffixes) **	234-47064-52	234-47064-52
LP Gas (X) High Altitude Orifice Kit 7,001 Ft. to 10,000 Ft.	265-51433-06-53	265-51433-06-53
42 LP Feedline	233-47109-02	233-47109-03
43 LP Gas Pilot Assembly**	233-45653-04	233-45653-04
LP to Nat. Gas Conversion Kit (Norm Alt.) 0 Ft. to 2,000 Ft.	265-46493-68	265-46493-87
LP to Nat. Gas Conversion Kit (High Alt.) 0 Ft. to 7,000 Ft. (-475 model suffixes)	265-46493-109	265-46493-72

*Applies to all warranties.

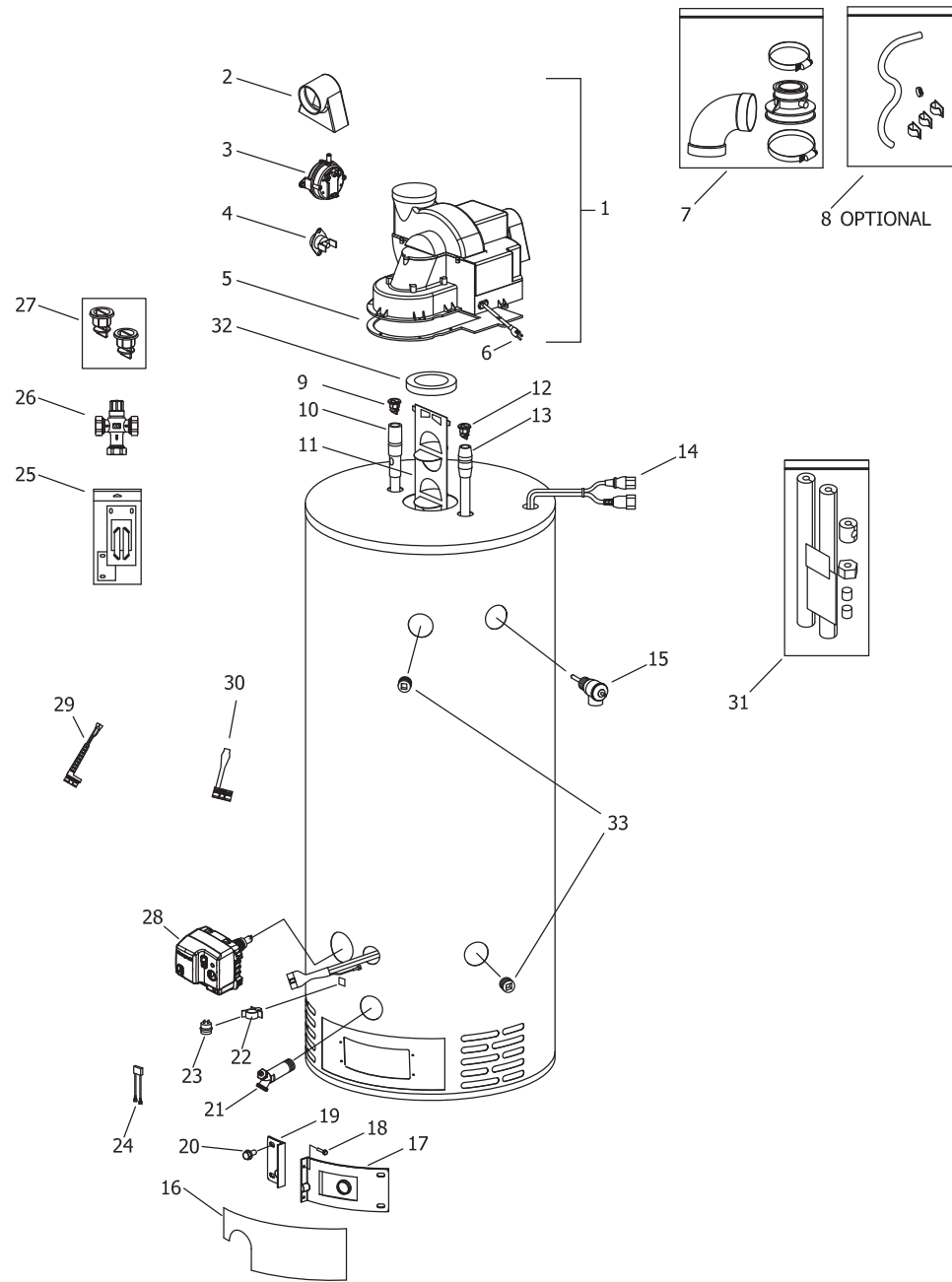
**Inner door gasket kit recommended.

***Ordering a complete burner assembly may increase delivery time. Please order the specific component required for the quickest delivery.

Anode may need to be cut to length.

▲ Order with item 9.

▲▲ Order with item 12.



Item Description	Model	Model
	RG2PV75H*(N,X)◆	LG2PV75H76*(N,X)◆
1 Blower Complete	265-45583-00	265-45583-00
Blower Complete High Altitude	243-45986-00	239-45986-00
2 Air Mixing Inlet	239-45868-00	239-45868-00
3 Pressure Switch	239-45867-02	239-45867-02
Pressure Switch High Altitude	239-45867-04	239-45867-04
4 Blower Temperature Switch	239-48752-00	239-48752-00
5 Blower Gasket	239-45866-00	239-45866-00
6 Blower Power Cord	239-45990-00	239-45990-00
7 2" Exhaust Adaptor w/Vent Terminal	---	---
3" Exhaust Adaptor w/Vent Terminal	239-46264-00	239-46264-00
8 Condensate Hose Kit (Optional)	239-45875-00	239-45875-00
9 Heat Trap Insert (Outlet)	239-45167-00	239-45167-00
10 Hot Water Outlet Anode (Magnesium)▲#	224-47776-19	224-47776-19
Hot Water Outlet (Aluminum)▲#	224-32999-42	224-32999-42
Hot Water Outlet (A420 Aluminum)▲#	224-49560-08	224-49560-08
11 Flue Baffle	239-45373-00	239-45373-00
12 Heat Trap Insert (Inlet)	239-51556-00	239-51556-00
13 Cold Water Inlet Dip Tube (PEX)▲▲	229-51230-20	229-51230-29
14 Safety Circuit Wire Harness	239-45617-02	239-45617-02
15 T&P Relief Valve	230-40594-02	230-40594-02
16 Outer Door	243-43962-00	243-43962-00
17 Right Side Inner Door Complete	239-47504-22	239-47504-22
18 Screw-#8-18 x 3/4 HWH	239-44195-00	239-44195-00
19 Left Side Inner Door Complete	239-43968-20	239-43968-20
20 Screw-#10-12 x 3/4 HWH	239-44113-00	239-44113-00
21 Brass Drain Valve	265-42351-02	265-42351-02
22 Flammable Vapor Sensor Clip	---	---
23 Flammable Vapor Sensor	---	---
24 Flammable Vapor Sensor Harness	---	---
25 Inner Door Gasket Kit	239-47792-00	239-47792-00
26 ASSE Approved Mixing Valve (Optional)	239-51778-00	239-51778-00
27 Kit-Heat Trap Insert	265-51572-00	265-51572-00
28 Gas Valve Natural Gas	239-48795-02	239-48795-04
Gas Valve LP Gas	239-48796-02	239-48796-04
29 Flammable Vapor Sensor Harness	---	---
30 Simulated Resistive Device Harness	239-49817-00	239-49817-00
31 Insulation Kit	239-48949-00	239-48949-00
32 Flue Reducer	243-42572-00	243-42572-00
33 3/4" NPT Pipe Plug	239-11638-00	239-11638-00

*Applies to all warranties

**Inner door gasket kit recommended

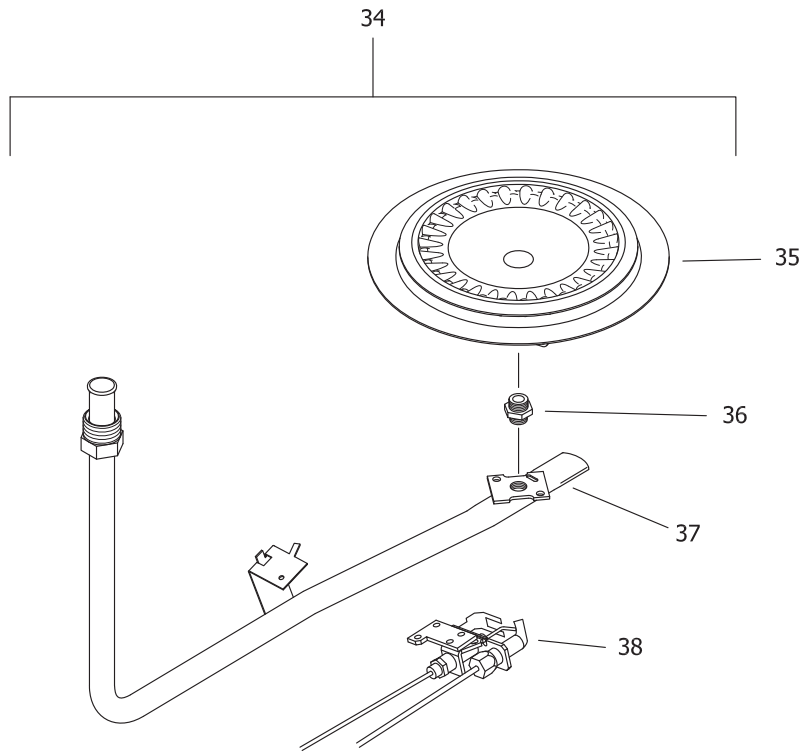
***Ordering a complete burner assembly may increase delivery time. Please order the specific component required for the quickest delivery.

Anode may need to be cut to length

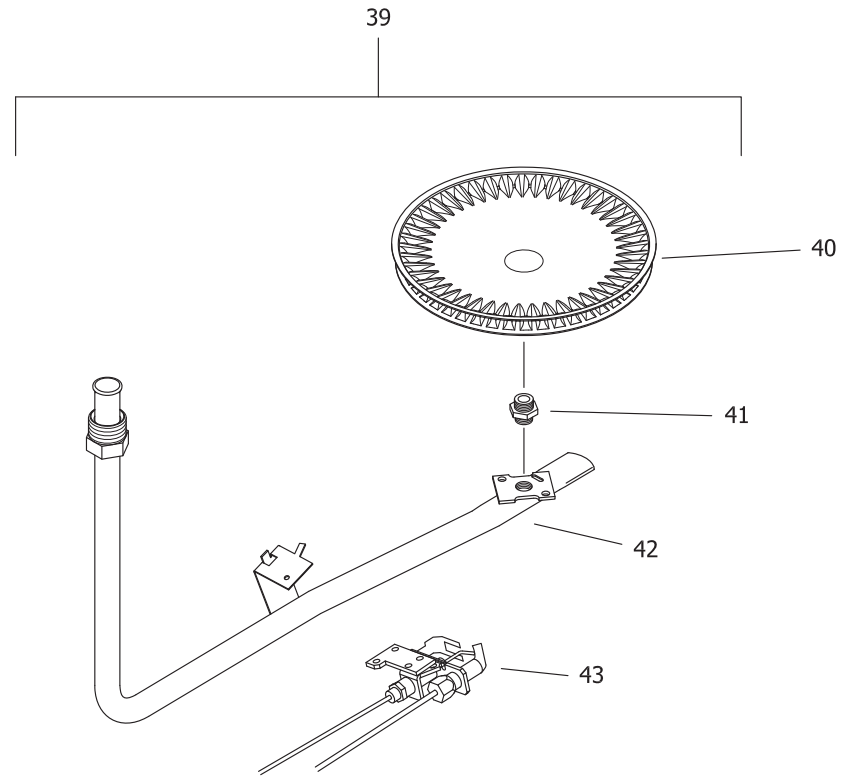
▲ Order with item 9

▲▲ Order with item 12

◆ (R,L)G2PV75H and (R,L)G1PV55H models are not flammable vapor compliant.



NATURAL GAS (BN) BURNER ASSEMBLY



LP GAS (SX) BURNER ASSEMBLY

LP GAS (SX) BURNER ASSEMBLY TO REPLACE LP GAS (CX) BURNER ASSEMBLY

Item Description	Model RG2PV75H*(N,X)◆	Model LG2PV75H76*(N,X)◆
Natural Gas Burner Assembly		
34 Nat Gas Burner Assembly Complete***	265-47785-01-21	265-47785-01-21
35 Nat. Gas (N) Burner**	228-47000-00	228-47000-00
36 Nat. Gas (N) Main Burner Orifice 0 Ft. to 2,000 Ft. **	234-41034-21	234-41034-21
Nat. Gas (N) High Altitude 0 to 7000 Ft. (-475 model suffixes) **	234-41034-27	234-41034-27
Nat. Gas (N) High Altitude Kit (7,001 Ft. to 10,000 Ft.)	265-51380-01-29	265-51380-01-29
37 Nat. Gas Feedline	233-47374-04	233-47374-04
38 Nat. Gas Pilot Assembly**	233-45653-05	233-45653-05
LP Gas Burner Assembly		
39 LP Gas Burner Assembly Complete***	265-47377-01-40	265-47377-01-40
40 LP Gas (X) Burner**	228-46938-00	228-46938-00
41 LP Gas (X) Main Burner Orifice 0 Ft. to 2,000 Ft. **	234-47064-40	234-47064-40
LP Gas (X) High Altitude Orifice 0 Ft. to 7000 Ft. (-475 model suffixes) **	234-47064-43	234-47064-43
LP Gas (X) High Altitude Orifice Kit 7,001 Ft. to 10,000 Ft.	265-51433-02-45	265-51433-02-45
42 LP Feedline	233-47672-04	233-47672-04
43 LP Gas Pilot Assembly**	233-45653-04	233-45653-04
LP to Nat. Gas Conversion Kit (Norm Alt.) 0 Ft. to 2,000 Ft.	265-46493-106	265-46493-107
LP to Nat. Gas Conversion Kit (High Alt.) 0 Ft. to 7,000 Ft. (-475 model suffixes)	265-46493-101	265-46493-100

*Applies to all warranties.

**Inner door gasket kit recommended.

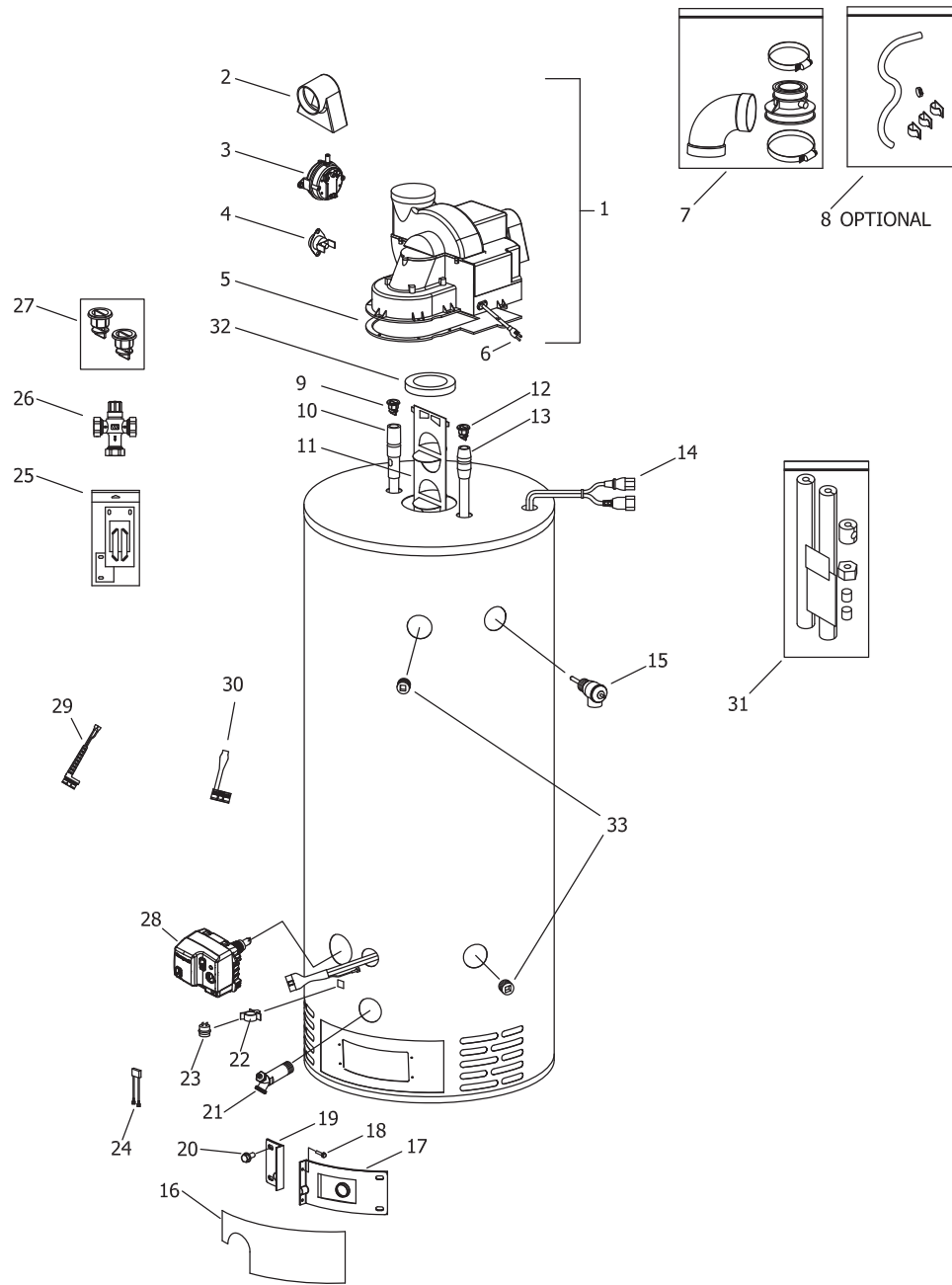
***Ordering a complete burner assembly may increase delivery time. Please order the specific component required for the quickest delivery.

#Anode may need to be cut to length.

▲ Order with item 9.

▲▲ Order with item 12.

◆ (R,L)G2PV75H and (R,L)G1PV55H models are not flammable vapor compliant.



Item Description	Model	Model
	RG1PV55H*(N,X)◆	LG1PV55H78*(N,X)◆
1 Blower Complete	239-47659-00	239-47659-00
Blower Complete High Altitude	239-48686-00	239-45986-00
2 Air Mixing Inlet	239-45868-00	239-45868-00
3 Pressure Switch	239-47815-03	239-47815-03
Pressure Switch High Altitude	239-47815-04	239-47815-04
4 Blower Temperature Switch	239-48752-00	239-48752-00
5 Blower Gasket	239-45866-00	239-45866-00
6 Blower Power Cord	239-45990-00	239-45990-00
7 2" Exhaust Adaptor w/Vent Terminal	---	---
3" Exhaust Adaptor w/Vent Terminal	239-46264-00	239-46264-00
8 Condensate Hose Kit (Optional)	239-45875-00	239-45875-00
9 Heat Trap Insert (Outlet)	239-45167-00	239-45167-00
10 Hot Water Outlet Anode (Magnesium)▲#	224-47776-19	224-47776-19
Hot Water Outlet (Aluminum)▲#	224-32999-42	224-32999-42
Hot Water Outlet (A420 Aluminum)▲#	224-49560-08	224-49560-08
11 Flue Baffle	243-48689-00	243-48689-00
12 Heat Trap Insert (Inlet)	239-45167-00	239-45167-00
13 Cold Water Inlet Dip Tube (PEX)▲▲	229-45092-07	229-45092-07
14 Safety Circuit Wire Harness	239-45617-02	239-45617-02
15 T&P Relief Valve	230-40594-01	230-40594-01
16 Outer Door	243-43967-00	243-43967-00
17 Right Side Inner Door Complete	243-43967-00	239-45642-20
18 Screw-#8-18 x 3/4 HWH	239-44195-00	239-44195-00
19 Left Side Inner Door Complete	239-43968-20	239-43968-20
20 Screw-#10-12 x 3/4 HWH	239-44113-00	239-44113-00
21 Brass Drain Valve	265-42351-02	265-42351-02
22 Flammable Vapor Sensor Clip	239-45648-00	239-45648-00
23 Flammable Vapor Sensor	239-45560-00	239-45560-00
24 Flammable Vapor Sensor Harness	239-45620-00	239-45620-00
25 Inner Door Gasket Kit	239-44078-00	239-44078-00
26 ASSE Approved Mixing Valve (Optional)	239-51778-00	239-51778-00
27 Kit-Heat Trap Insert	265-51572-00	265-51572-00
28 Gas Valve Natural Gas	239-48795-03	239-48795-03
Gas Valve LP Gas	239-48796-03	239-48796-03
29 Flammable Vapor Sensor Harness	239-49791-00	239-49791-00
30 Simulated Resistive Device Harness	---	---
31 Insulation Kit	239-48949-00	239-48949-00
32 Flue Reducer	243-42572-00	243-42572-00
33 3/4" NPT Pipe Plug	239-11638-00	239-11638-00

*Applies to all warranties

**Inner door gasket kit recommended

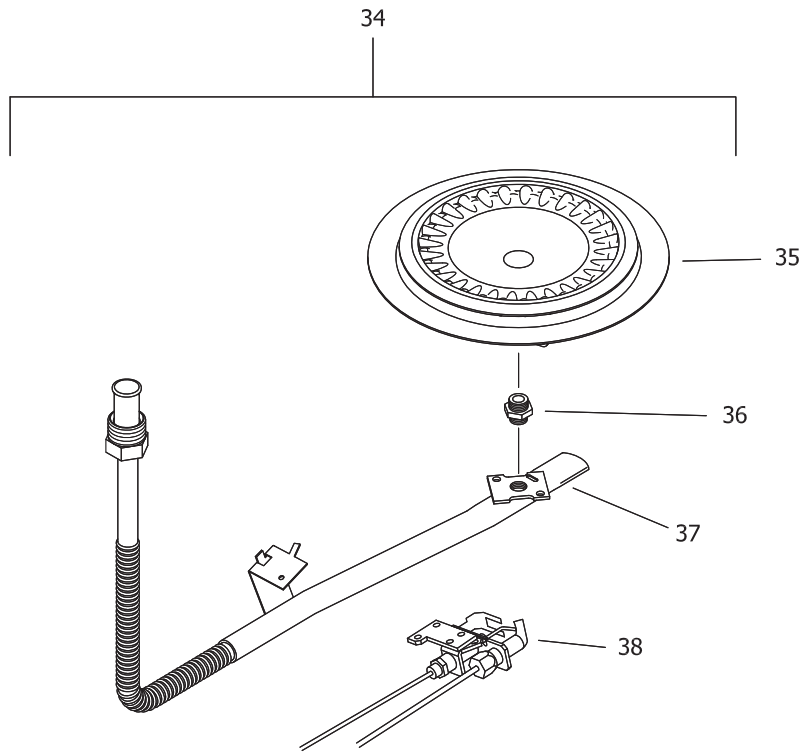
***Ordering a complete burner assembly may increase delivery time. Please order the specific component required for the quickest delivery.

Anode may need to be cut to length

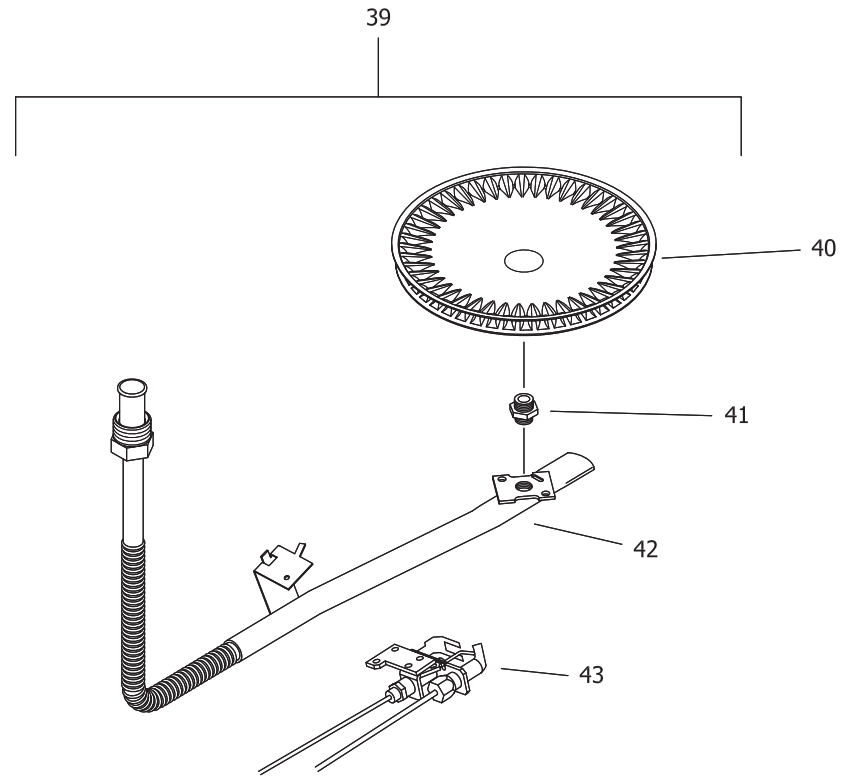
▲ Order with item 9

▲▲ Order with item 12

◆ (R,L)G2PV75H and (R,L)G1PV55H models are not flammable vapor compliant.



NATURAL GAS (BN) BURNER ASSEMBLY



LP GAS (SX) BURNER ASSEMBLY

LP GAS (SX) BURNER ASSEMBLY TO REPLACE LP GAS (CX) BURNER ASSEMBLY

Item Description	Model	Model
	RG1PV55H*(N,X)◆	LG1PV55H78*(N,X)◆
Natural Gas Burner Assembly		
34 Nat Gas Burner Assembly Complete***	265-47439-15-24	265-47439-15-24
35 Nat. Gas (N) Burner**	228-47000-00	228-47000-00
36 Nat. Gas (N) Main Burner Orifice 0 Ft. to 2,000 Ft. **	234-41034-24	234-41034-24
Nat. Gas (N) High Altitude 0 to 7000 Ft. (-475 model suffixes) **	234-41034-25	234-41034-25
Nat. Gas (N) High Altitude Kit (7,001 Ft. to 10,000 Ft.)	265-51380-05-30	265-51380-05-30
37 Nat. Gas (N) Feedline	233-45615-02	233-45615-02
38 Nat. Gas Pilot Assembly**	233-45653-05	233-45653-05
LP Gas Burner Assembly		
39 LP Gas Burner Assembly Complete***	265-47440-10-40	265-47440-10-40
40 LP Gas (X) Burner**	228-46938-00	228-46938-00
41 LP Gas (X) Main Burner Orifice 0 Ft. to 2,000 Ft. **	234-47064-40	234-47064-40
LP Gas (X) High Altitude Orifice 0 Ft. to 7000 Ft. (-475 model suffixes) **	234-47064-43	234-47064-43
LP Gas (X) High Altitude Orifice Kit 7,001 Ft. to 10,000 Ft.	265-51433-03-45	265-51433-03-45
42 LP Gas (X) Feedline	233-47109-02	233-47109-02
43 LP Gas Pilot Assembly**	233-45653-04	233-45653-04
LP to Nat. Gas Conversion Kit (Norm Alt.) 0 Ft. to 2,000 Ft.	265-46493-102	265-46493-102
LP to Nat. Gas Conversion Kit (High Alt.) 0 Ft. to 7,000 Ft. (-475 model suffixes)	265-46493-103	265-46493-103

*Applies to all warranties.

**Inner door gasket kit recommended.

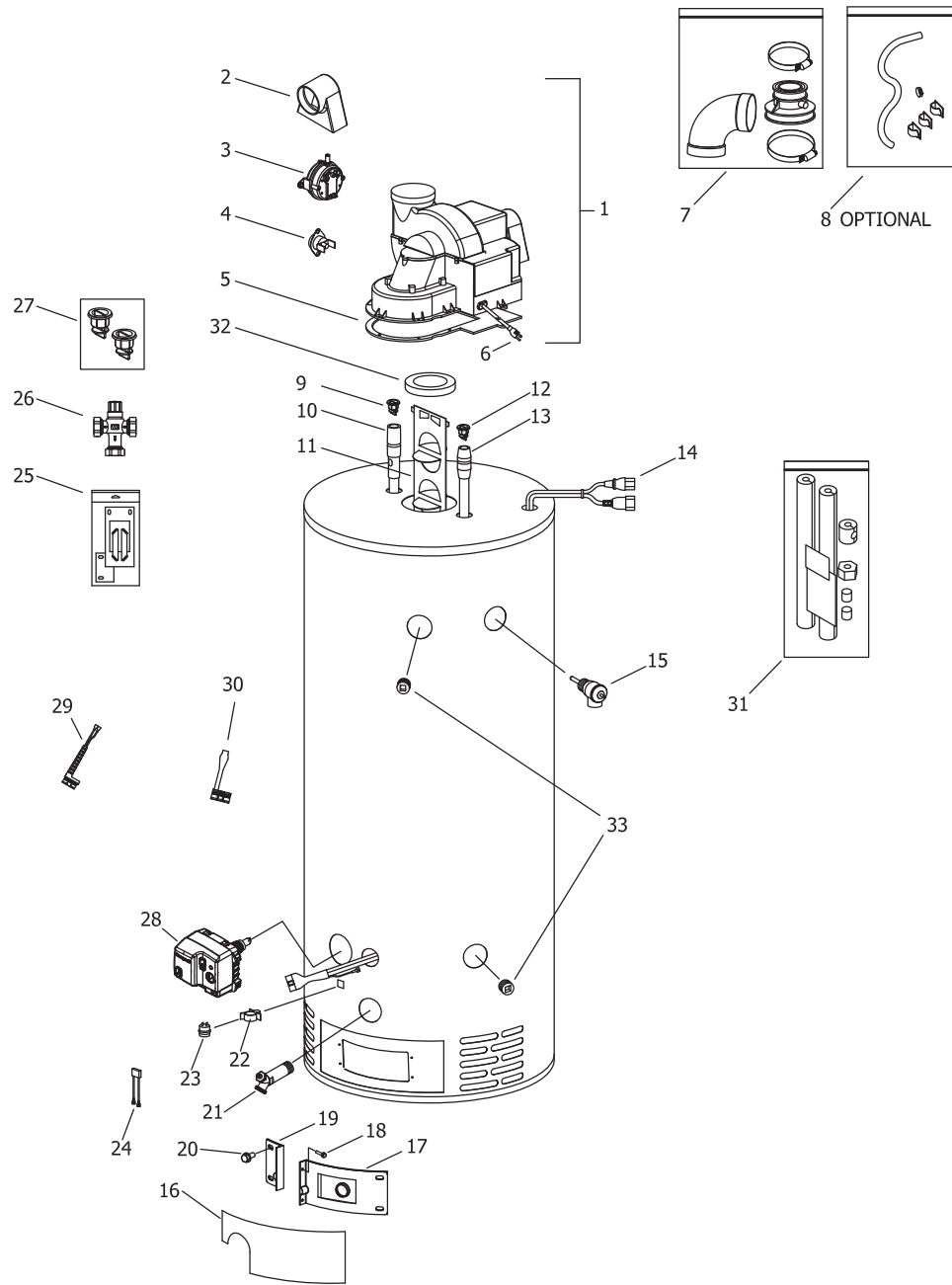
***Ordering a complete burner assembly may increase delivery time. Please order the specific component required for the quickest delivery.

Anode may need to be cut to length.

▲ Order with item 9.

▲▲ Order with item 12.

◆ (R,L)G2PV75H and (R,L)G1PV55H models are not flammable vapor compliant.



Item Description	Model	Model
	RG2PV50H*(N,X)	LG2PV50H65*(N,X)
1 Blower Complete	265-48861-00	239-45583-00
Blower Complete High Altitude	243-49227-00	239-45986-00
2 Air Mixing Inlet	239-45868-00	239-45868-00
3 Pressure Switch	239-45867-02	239-45867-02
Pressure Switch High Altitude	239-45867-04	239-45867-04
4 Blower Temperature Switch	239-48752-00	239-48752-00
5 Blower Gasket	239-45866-00	239-45866-00
6 Blower Power Cord	239-45990-00	239-45990-00
7 2" Exhaust Adaptor w/Vent Terminal	---	---
3" Exhaust Adaptor w/Vent Terminal	239-46264-00	239-46264-00
8 Condensate Hose Kit (Optional)	239-45875-00	239-45875-00
9 Heat Trap Insert (Outlet)	239-45167-00	239-45167-00
10 Hot Water Outlet Anode (Magnesium)▲#	224-47776-19	224-47776-19
Hot Water Outlet (Aluminum)▲#	224-32999-42	224-32999-42
Hot Water Outlet (A420 Aluminum)▲#	224-49560-08	224-49560-08
11 Flue Baffle	243-48689-00	243-48689-00
12 Heat Trap Insert (Inlet)	239-51556-00	239-45167-00
13 Cold Water Inlet Dip Tube (PEX)▲▲	229-51230-20	229-45092-08
14 Safety Circuit Wire Harness	239-45617-02	239-45617-02
15 T&P Relief Valve	230-40594-02	230-40594-02
16 Outer Door	243-43962-00	243-43962-00
17 Right Side Inner Door Complete	239-45642-18	239-45642-18
18 Screw-#8-18 x 3/4 HWH	239-44195-00	239-44195-00
19 Left Side Inner Door Complete	239-43968-18	239-43968-18
20 Screw-#10-12 x 3/4 HWH	239-44113-00	239-44113-00
21 Brass Drain Valve	265-42351-02	265-42351-02
22 Flammable Vapor Sensor Clip	239-45648-00	239-45648-00
23 Flammable Vapor Sensor	239-45560-00	239-45560-00
24 Flammable Vapor Sensor Harness	239-45620-00	239-45620-00
25 Inner Door Gasket Kit	239-44078-00	239-44078-00
26 ASSE Approved Mixing Valve (Optional)	239-51778-00	239-51778-00
27 Kit-Heat Trap Insert	265-51572-00	---
28 Gas Valve Natural Gas	239-48795-02	239-48795-04
Gas Valve LP Gas	239-48796-02	239-48796-04
29 Flammable Vapor Sensor Harness	239-49791-00	239-49791-00
30 Simulated Resistive Device Harness	---	---
31 Insulation Kit	239-48949-00	239-48949-00
32 Flue Reducer	239-48802-00	243-42572-00
33 3/4" NPT Pipe Plug	239-11638-00	239-11638-00

*Applies to all warranties

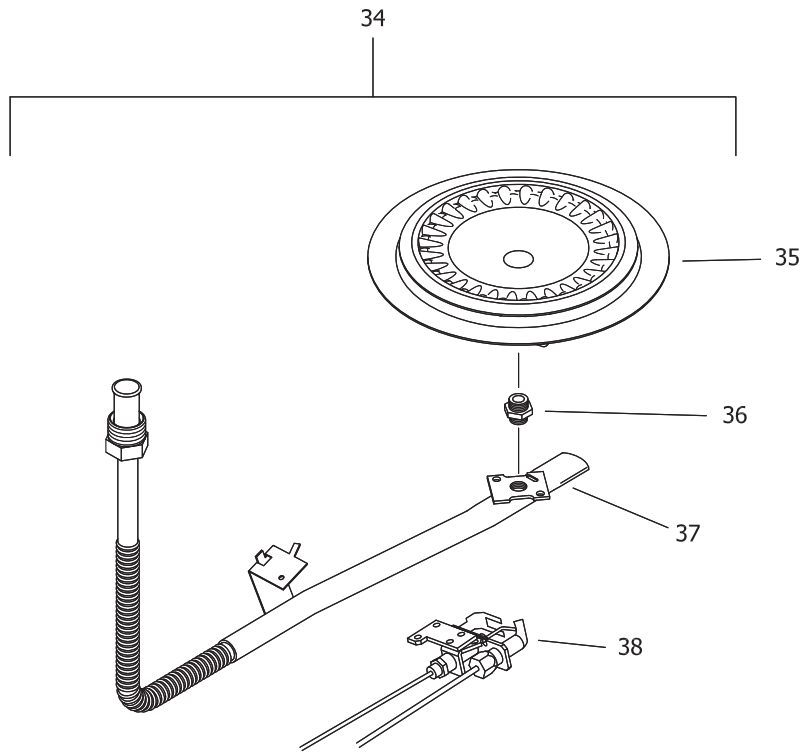
**Inner door gasket kit recommended

***Ordering a complete burner assembly may increase delivery time. Please order the specific component required for the quickest delivery.

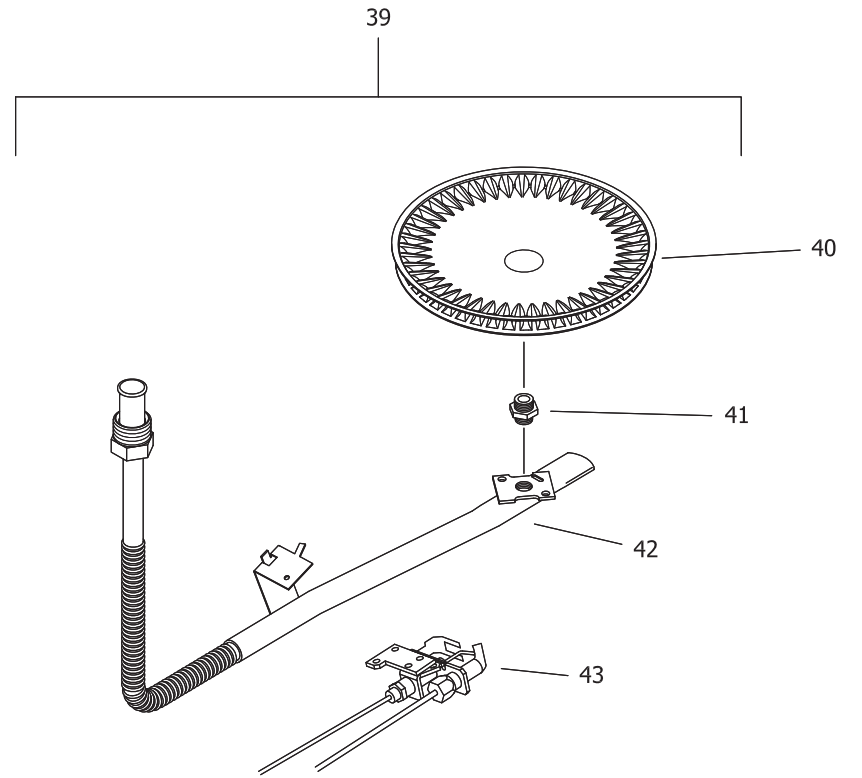
Anode may need to be cut to length

▲ Order with item 9

▲▲ Order with item 12



NATURAL GAS (BN) BURNER ASSEMBLY



LP GAS (SX) BURNER ASSEMBLY

LP GAS (SX) BURNER ASSEMBLY TO REPLACE LP GAS (CX) BURNER ASSEMBLY

Item Description	Model	Model
	RG2PV50H*(N,X)	LG2PV50H65*(N,X)
Natural Gas Burner Assembly		
34 Nat Gas Burner Assembly Complete***	265-47439-06-27	265-47439-06-27
35 Nat. Gas (N) Burner**	228-42506-00	228-42506-00
36 Nat. Gas (N) Main Burner Orifice 0 Ft. to 2,000 Ft. **	234-41034-27	234-41034-27
Nat. Gas (N) High Altitude 0 to 7000 Ft. (-475 model suffixes) **	234-41034-30	234-41034-30
Nat. Gas (N) High Altitude Kit (7,001 Ft. to 10,000 Ft.)	265-51380-04-31	265-51380-04-31
37 Nat. Gas (N) Feedline	233-45615-02	233-45615-02
38 Nat. Gas Pilot Assembly**	233-45653-05	233-45653-05
LP Gas Burner Assembly		
39 LP Gas Burner Assembly Complete***	265-47440-10-44	265-47440-10-44
40 LP Gas (X) Burner**	228-47000-00	228-47000-00
41 LP Gas (X) Main Burner Orifice 0 Ft. to 2,000 Ft. **	234-47064-44	234-47064-44
LP Gas (X) High Altitude Orifice 0 Ft. to 7000 Ft. (-475 model suffixes) **	234-47064-47	234-47064-47
LP Gas (X) High Altitude Orifice Kit 7,001 Ft. to 10,000 Ft.	265-51433-06-49	265-51433-06-49
42 LP Gas (X) Feedline	233-47109-02	233-47109-02
43 LP Gas Pilot Assembly**	233-45653-04	233-45653-04
LP to Nat. Gas Conversion Kit (Norm Alt.) 0 Ft. to 2,000 Ft.	265-46493-24	265-46493-33
LP to Nat. Gas Conversion Kit (High Alt.) 0 Ft. to 7,000 Ft. (-475 model suffixes)	265-46493-104	265-46493-105

*Applies to all warranties.

**Inner door gasket kit recommended.

***Ordering a complete burner assembly may increase delivery time. Please order the specific component required for the quickest delivery.

Anode may need to be cut to length.

▲ Order with item 9.

▲▲ Order with item 12.



BRADFORD WHITE®

W A T E R H E A T E R S

Ambler, PA

For U.S. and Canada field service,
contact your professional installer or
local Bradford White sales representative.

Sales/800-523-2931

Fax/215-641-1670

Parts Fax/215-641-2180

Technical Support/800-334-3393

Fax/269-795-1089

Warranty/800-531-2111

Fax/269-795-1089

International:

Telephone/215-641-9400

Telefax/215-641-9750



BRADFORD WHITE™

W A T E R H E A T E R S

Halton Hills, Ontario, Canada

Sales & Technical Support/866-690-0961

905-203-0600

Fax/905-636-0666

Email

parts@bradfordwhite.com

techserv@bradfordwhite.com

www.bradfordwhite.com