



Residential Gas Replacement Parts List

Residential Gas Power Vent Models



Models Covered:
RG(1,2)PV40S*19
RG(2)PV40T*19
RG(1,2)PV50S*19
RG(2)PV50T*19
RG2PV60T*19
(L,R)G2PV50H*19
(L,R)G1PV55H*19
(L,R)G2PV75H*19
*Denotes warranty year

Includes Hydrojet®
Total Performance System

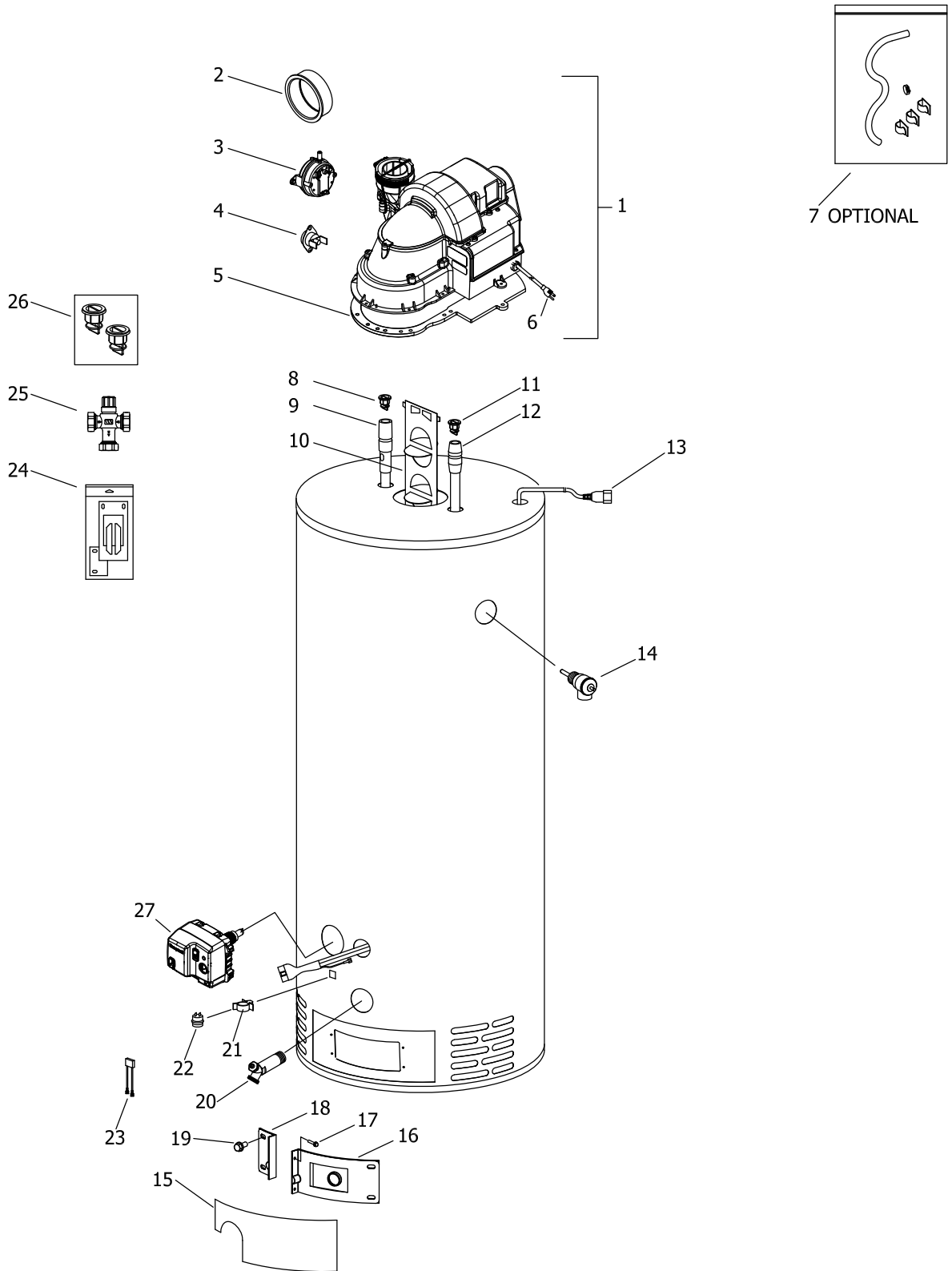
Effective: January, 2023
ECO 8248-3

**NOTE: BOTH MODEL AND SERIAL
NUMBERS ARE REQUIRED FOR
ORDERING REPLACEMENT PARTS**

Dimensions and specifications
subject to change without notice.

WARNING
CANCER AND REPRODUCTIVE HARM
WWW.P65WARNINGS.CA.GOV

As required by the state of California Proposition 65.



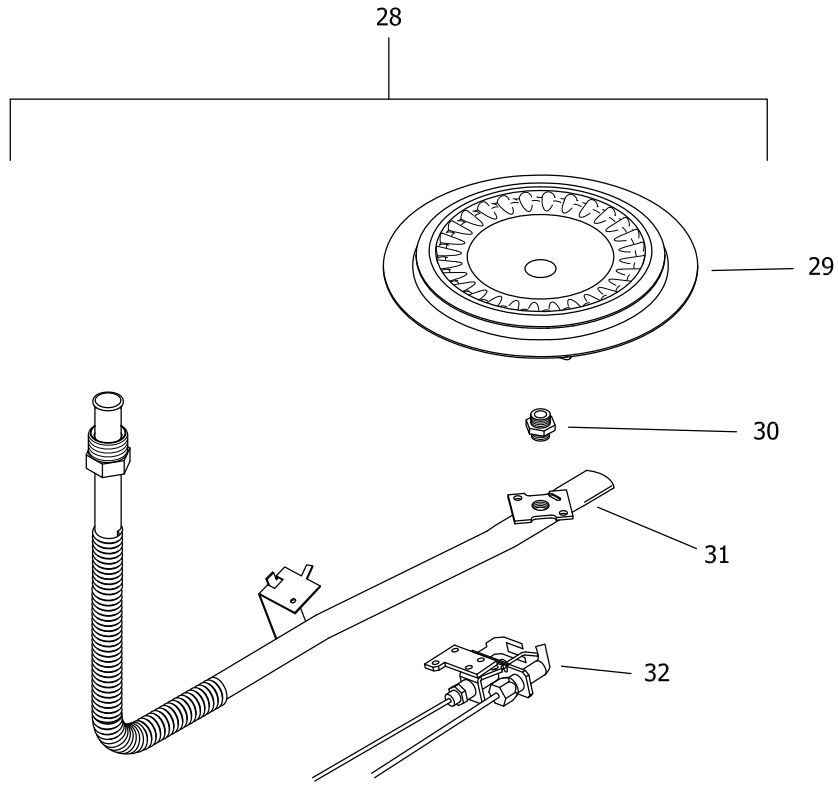
Item Description	Model	Model
	RG1PV40S*(N,X)19	RG1PV50S*(N,X)19
1 Blower Complete	415-53662-00	415-53662-00
2 Gasket Adapter Rubber PVC	415-53864-00	415-53864-00
3 Pressure Switch	415-45867-05	415-45867-05
4 Blower Temperature Switch	415-53692-00	415-53692-00
5 Blower Gasket	415-53693-00	415-53693-00
6a Blower Power Cord 8 Feet	239-44466-00	239-44466-00
6b Blower Power Cord 10 Feet	239-45990-00	239-45990-00
7 Condensate Hose Kit (Optional)	415-45875-00	415-45875-00
8 Heat Trap Insert (Outlet)	415-45167-00	415-45167-00
9 Hot Water Outlet Anode (Magnesium)▲#	415-47776-19	415-47776-19
Hot Water Outlet (Aluminum)▲#	415-32999-28	415-32999-28
Hot Water Outlet (A420 Aluminum)▲#	415-49560-10	415-49560-10
10 Flue Baffle	239-53013-00	239-53013-00
11 Heat Trap Insert (Inlet)	415-51556-00	415-51556-00
12 Cold Water Inlet Dip Tube ▲▲	415-51230-25	415-51230-25
13 Safety Circuit Wire Harness	239-53966-01	239-53966-01
14 T&P Relief Valve	415-40594-02	415-40594-02
15 Outer Door	239-43962-00	239-43962-00
16 Right Side Inner Door Complete w/Gasket	239-45642-18	239-45642-20
17 Screw-#8-15 x 3/4 HWH	239-44195-00	239-44195-00
18 Left Side Inner Door Complete w/Gasket	239-43968-18	239-43968-20
19 Screw-#10-12 x 3/4 HWH	239-44113-00	239-44113-00
20 Brass Drain Valve	415-42351-02	415-42351-02
21 Flammable Vapor Sensor Clip	239-45648-00	239-45648-00
22 Flammable Vapor Sensor Kit (2 pcs)	415-45560-00	415-45560-00
23 Flammable Vapor Sensor Harness	239-49791-00	239-49791-00
24 Inner Door Gasket Kit	239-44078-00	239-44078-00
25 ASSE Approved Mixing Valve (Optional)	239-51778-00	239-51778-00
26 Kit-Heat Trap Insert	265-51572-00	265-51572-00
27 Gas Valve Natural Gas	415-48795-01	415-48795-01
Gas Valve LP Gas	415-48796-01	415-48796-01

*Applies to all warranties

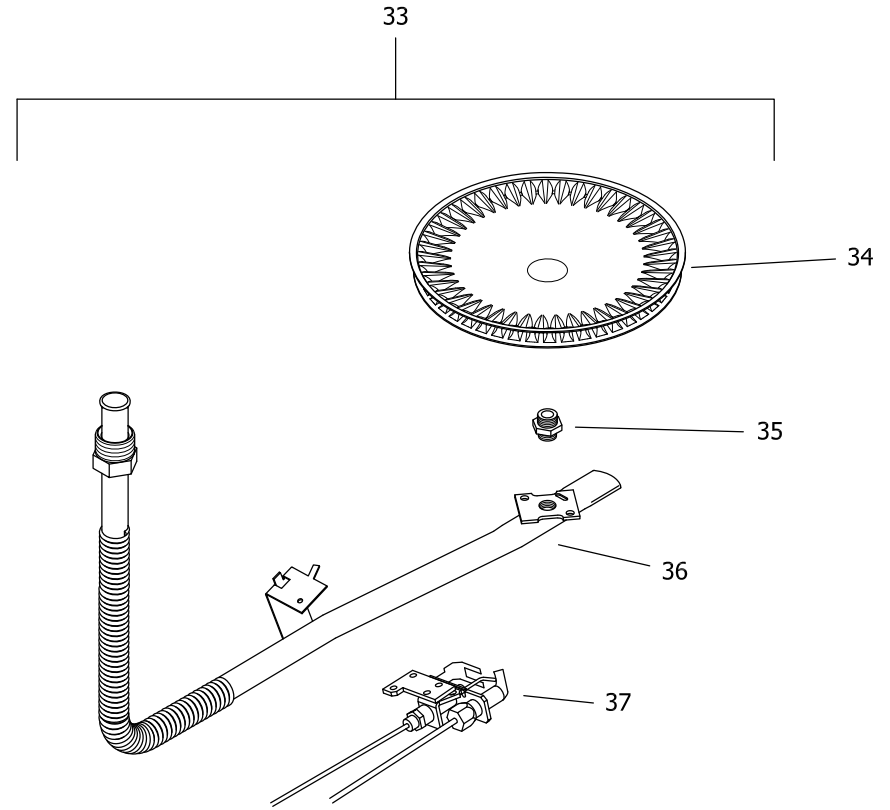
Anode may need to be cut to length; see end of this parts list for further information.

▲ Order with item 8

▲▲ Order with item 11



NATURAL GAS (BN) BURNER ASSEMBLY



LP GAS (SX) BURNER ASSEMBLY

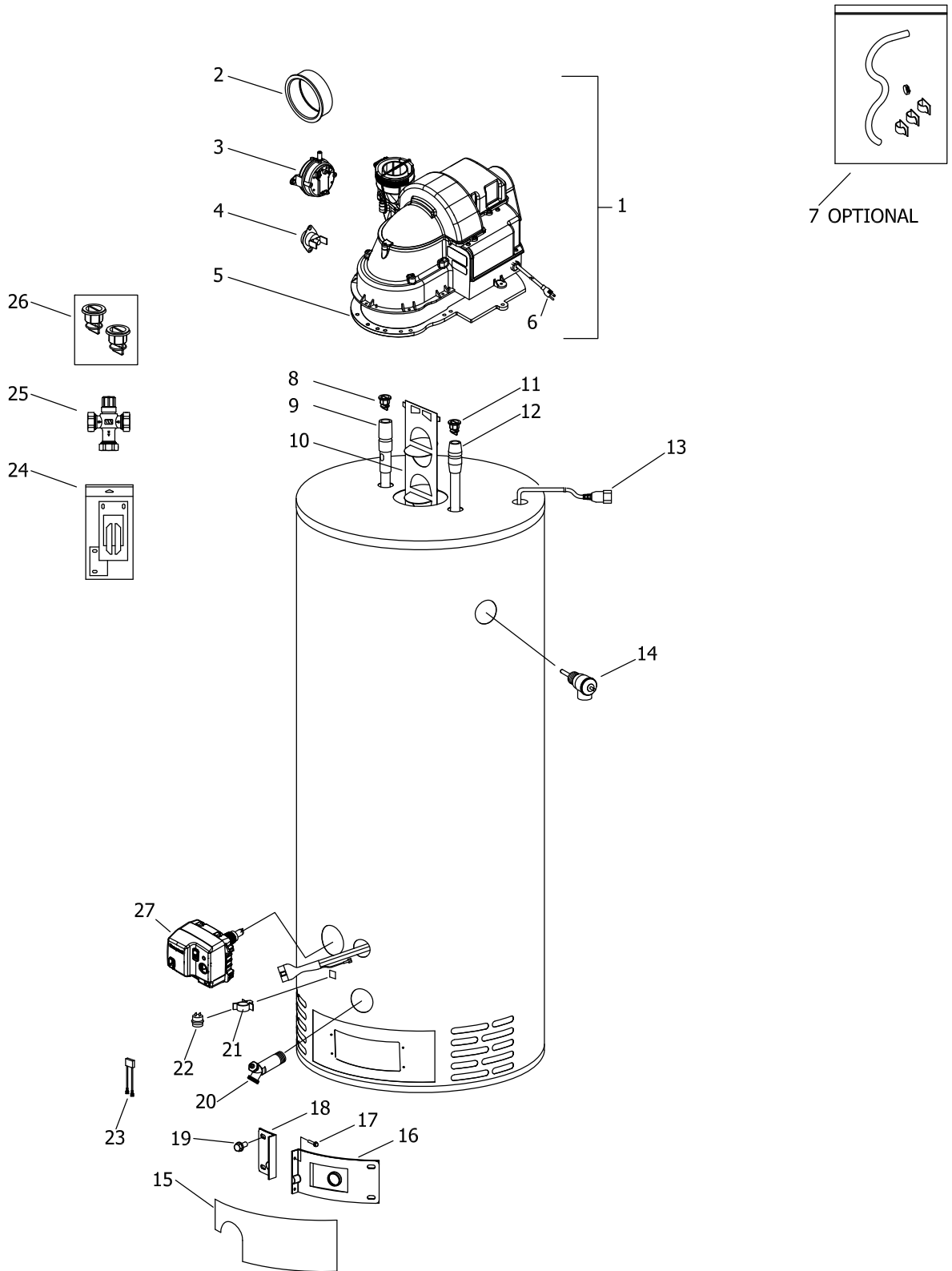
LP GAS (SX) BURNER ASSEMBLY TO REPLACE LP GAS (CX) BURNER ASSEMBLY

Item Description	Model	Model
	RG1PV40S*(N,X)19	RG1PV50S*(N,X)19
Natural Gas Burner Assembly		
28 Nat Gas Burner Assembly Complete***	265-47439-06-32	265-47439-09-32
29 Nat. Gas (N) Burner**	228-42506-00	228-42506-00
30 Nat. Gas (N) Main Burner Orifice 0 Ft. to 10,100 Ft. **	234-41034-32	234-41034-32
31 Nat. Gas Feedline	233-47431-03	233-47431-04
32 Nat. Gas Pilot Assembly**	415-45653-05	415-45653-05
LP Gas Burner Assembly		
33 LP Gas Burner Assembly Complete***	265-47440-31-50	265-47440-32-50
34 LP Gas (X) Burner**	228-46964-00	228-46964-00
35 LP Gas (X) Main Burner Orifice 0 Ft. to 10,100 Ft. **	234-47064-50	234-47064-50
36 LP Feedline**	233-47432-03	233-47432-03
37 LP Gas Pilot Assembly**	233-54338-01	233-54338-01
LP to Nat. Gas Conversion Kit 0 Ft. to 10,100 Ft.	265-46493-125	265-46493-126

*Applies to all warranties.

**Inner door gasket kit recommended.

***Ordering a complete burner assembly may increase delivery time. Please order the specific component required for the quickest delivery.



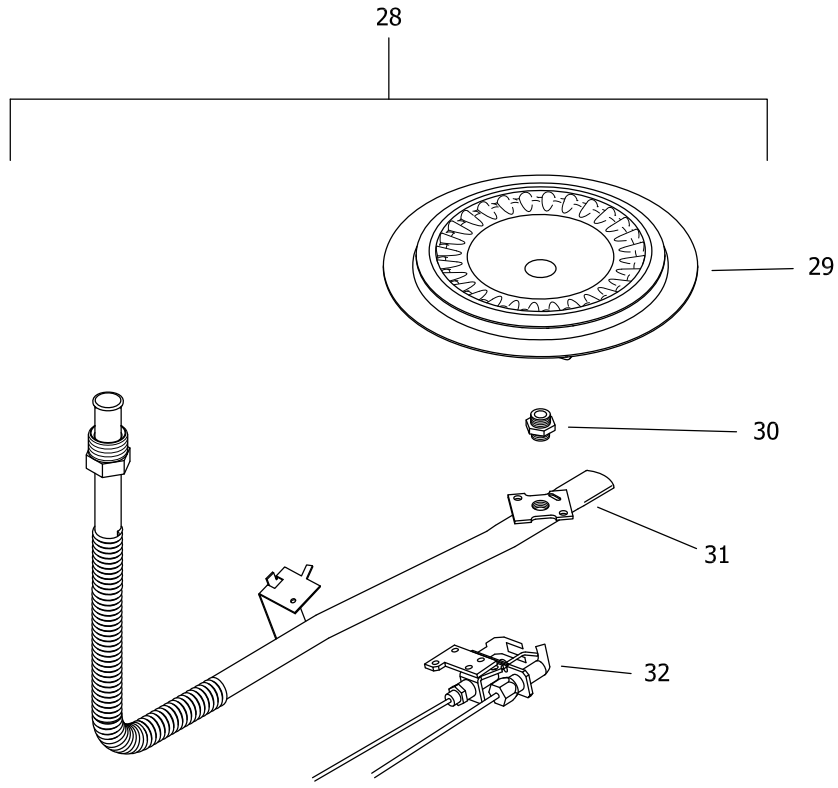
Item Description	Model	Model	Model
	RG2PV40T*(N,X)19	RG2PV50T*(N,X)19	RG2PV60T*(N,X)19
1 Blower Complete	415-53662-00	415-53662-00	415-53662-00
2 Gasket Adapter Rubber PVC	415-53864-00	415-53864-00	415-53864-00
3 Pressure Switch	415-45867-05	415-45867-05	415-45867-05
4 Blower Temperature Switch	415-53692-00	415-53692-00	415-53692-00
5 Blower Gasket	415-53693-00	415-53693-00	415-53693-00
6a Blower Power Cord 8 Feet	239-44466-00	239-44466-00	239-44466-00
6b Blower Power Cord 10 Feet	239-45990-00	239-45990-00	239-45990-00
7 Condensate Hose Kit (Optional)	415-45875-00	415-45875-00	415-45875-00
8 Heat Trap Insert (Outlet)	415-45167-00	415-45167-00	415-45167-00
9 Hot Water Outlet Anode (Magnesium)▲#	415-47776-19	415-47776-19	415-47776-19
Hot Water Outlet (Aluminum)▲#	415-32999-28	415-32999-28	415-32999-28
Hot Water Outlet (A420 Aluminum)▲#	415-49560-10	415-49560-10	415-49560-10
10 Flue Baffle	239-53012-00	239-53012-00	239-53012-00
11 Heat Trap Insert (Inlet)	415-45167-00	415-45167-00	415-45167-00
12 Cold Water Inlet Dip Tube ▲▲	415-45092-06	415-45092-06	415-45092-06
13 Safety Circuit Wire Harness	239-53966-02	239-53966-02	239-53966-02
14 T&P Relief Valve	415-40594-02	415-40594-02	415-40594-02
15 Outer Door	239-43962-00	239-43962-00	239-43962-00
16 Right Side Inner Door Complete w/Gasket	239-43963-16	239-45642-18	239-45642-20
17 Screw-#8-15 x 3/4 HWH	239-44195-00	239-44195-00	239-44195-00
18 Left Side Inner Door Complete w/Gasket	239-43968-16	239-43968-18	239-43968-20
19 Screw-#10-12 x 3/4 HWH	239-44113-00	239-44113-00	239-44113-00
20 Brass Drain Valve	415-42351-02	415-42351-02	415-42351-02
21 Flammable Vapor Sensor Clip	239-45648-00	239-45648-00	239-45648-00
22 Flammable Vapor Sensor Kit (2 pcs)	415-45560-00	415-45560-00	415-45560-00
23 Flammable Vapor Sensor Harness	239-49791-00	239-49791-00	239-49791-00
24 Inner Door Gasket Kit	239-44078-00	239-44078-00	239-44078-00
25 ASSE Approved Mixing Valve (Optional)	239-51778-00	239-51778-00	239-51778-00
26 Kit-Heat Trap Insert	265-45420-00	265-45420-00	265-45420-00
27 Gas Valve Natural Gas	415-48795-02	415-48795-02	415-48795-02
Gas Valve LP Gas	415-48796-02	415-48796-02	415-48796-02

*Applies to all warranties

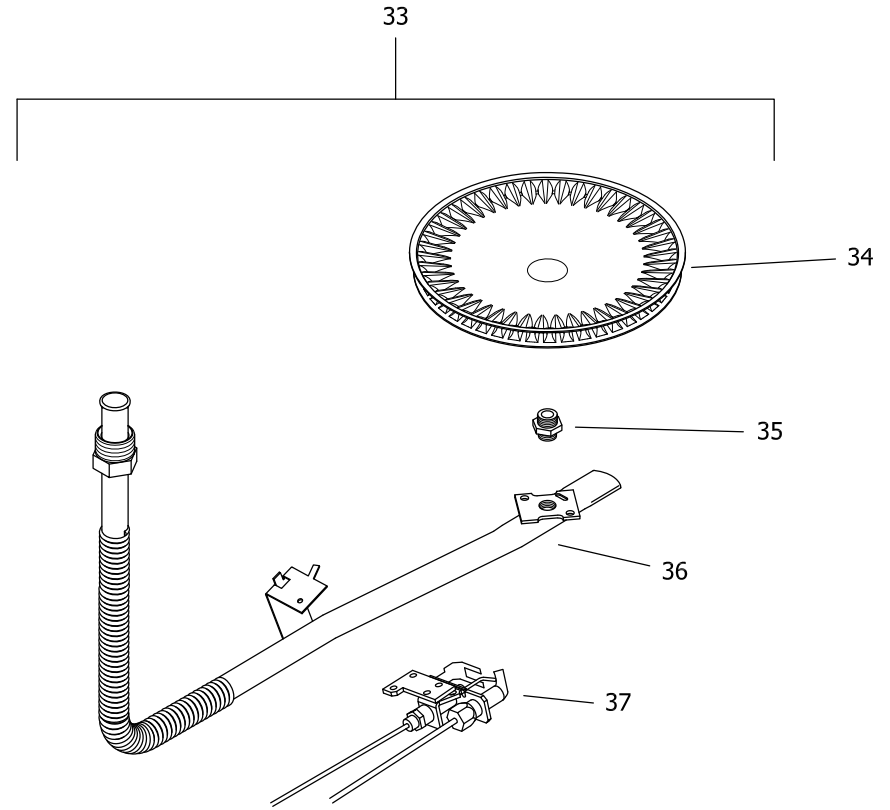
Anode may need to be cut to length; see end of this parts list for further information.

▲ Order with item 8

▲▲ Order with item 11



NATURAL GAS (BN) BURNER ASSEMBLY



LP GAS (SX) BURNER ASSEMBLY

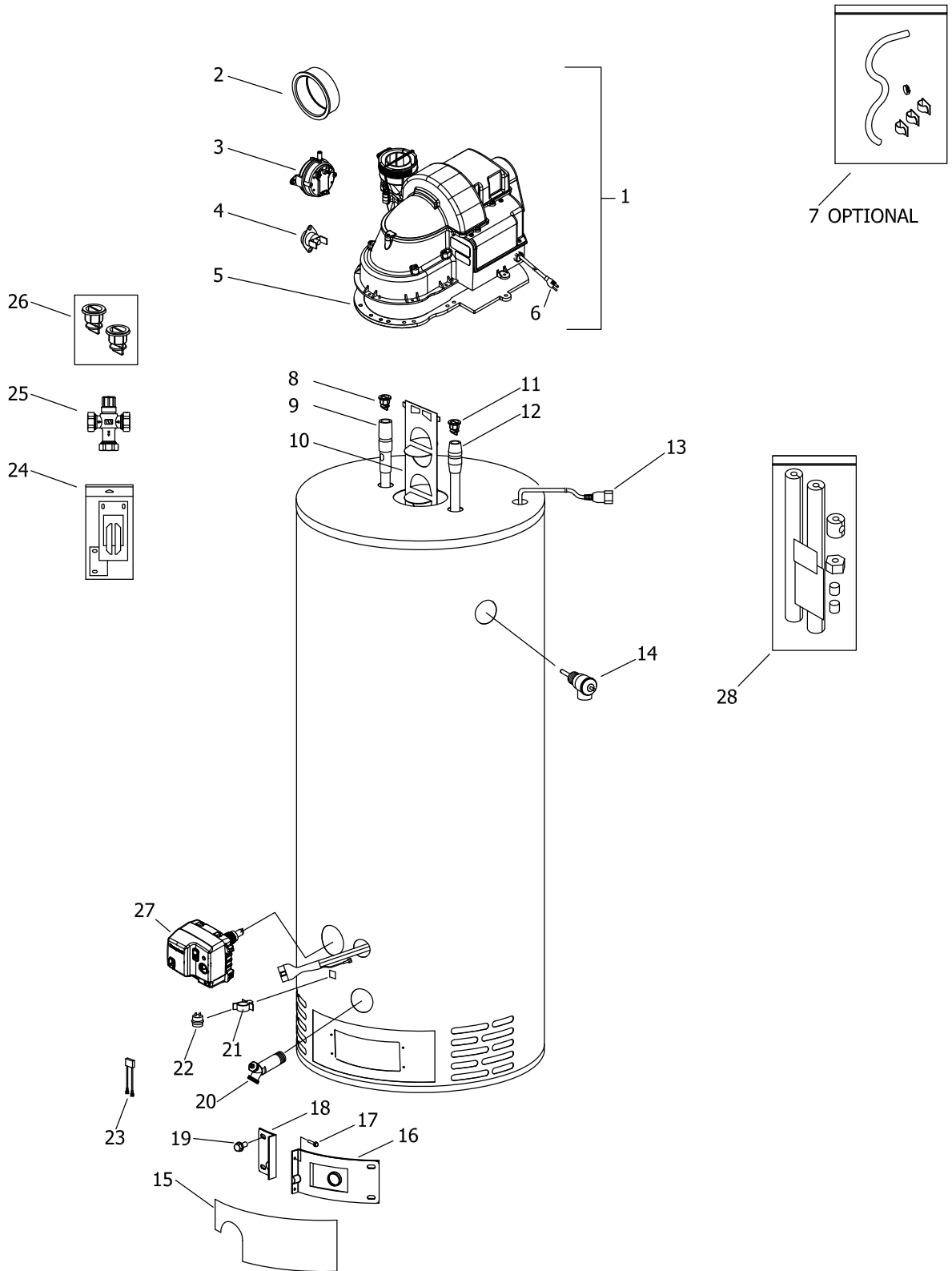
LP GAS (SX) BURNER ASSEMBLY TO REPLACE LP GAS (CX) BURNER ASSEMBLY

Item Description	Model	Model	Model
	RG2PV40T*(N,X)19	RG2PV50T*(N,X)19	RG2PV60T*(N,X)19
Natural Gas Burner Assembly			
28 Nat Gas Burner Assembly Complete***	265-47439-06-32	265-47439-09-32	265-45652-04-32
29 Nat. Gas (N) Burner**	228-42506-00	228-42506-00	228-42506-00
30 Nat. Gas (N) Main Burner Orifice 0 Ft. to 10,100 Ft. **	234-41034-32	234-41034-32	234-41034-32
31 Nat. Gas Feedline	233-47431-03	233-47431-04	233-45615-04
32 Nat. Gas Pilot Assembly**	415-45653-05	415-45653-05	233-45653-02
LP Gas Burner Assembly			
33 LP Gas Burner Assembly Complete***	265-47440-31-50	265-47440-32-50	265-47440-32-50
34 LP Gas (X) Burner**	228-46964-00	228-46964-00	228-46964-00
35 LP Gas (X) Main Burner Orifice 0 Ft. to 10,100 Ft. **	234-47064-50	234-47064-50	234-47064-50
36 LP Feedline**	233-47432-03	233-47432-03	233-47109-03
37 LP Gas Pilot Assembly**	233-54338-01	233-54338-02	233-54338-02
LP to Nat. Gas Conversion Kit 0 Ft. to 10,100 Ft.	265-46493-127	265-46493-128	265-46493-129

*Applies to all warranties.

**Inner door gasket kit recommended.

***Ordering a complete burner assembly may increase delivery time. Please order the specific component required for the quickest delivery.



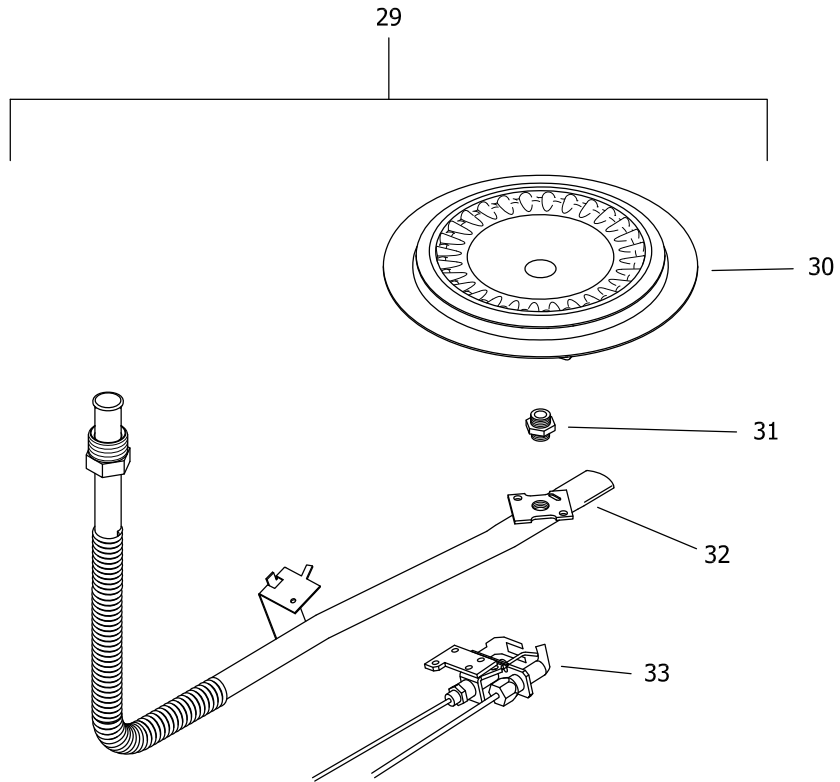
Item Description	Model	Model
	RG2PV40S*(N,X)19	RG2PV50S*(N,X)19
1 Blower Complete	415-53662-00	415-53662-00
2 Gasket Adapter Rubber PVC	415-53864-00	415-53864-00
3 Pressure Switch	415-45867-05	415-45867-05
4 Blower Temperature Switch	415-53692-00	415-53692-00
5 Blower Gasket	415-53693-00	415-53693-00
6a Blower Power Cord 8 Feet	239-44466-00	239-44466-00
6b Blower Power Cord 10 Feet	239-45990-00	239-45990-00
7 Condensate Hose Kit (Optional)	415-45875-00	415-45875-00
8 Heat Trap Insert (Outlet)	415-45167-00	415-45167-00
9 Hot Water Outlet Anode (Magnesium)▲#	415-47776-19	415-47776-19
Hot Water Outlet (Aluminum)#	415-32999-28	415-32999-28
Hot Water Outlet (A420 Aluminum)▲#	415-49560-10	415-49560-10
10 Flue Baffle	239-53013-00	239-53013-00
11 Heat Trap Insert (Inlet)	415-51556-00	415-51556-00
12 Cold Water Inlet Dip Tube ▲▲	415-51230-25	415-51230-25
13 Safety Circuit Wire Harness	239-53966-01	239-53966-01
14 T&P Relief Valve	415-40594-02	415-40594-02
15 Outer Door	239-43962-00	239-43962-00
16 Right Side Inner Door Complete w/Gasket	239-45642-18	239-45642-20
17 Screw-#8-15 x 3/4 HWH	239-44195-00	239-44195-00
18 Left Side Inner Door Complete w/Gasket	239-43968-18	239-43968-20
19 Screw-#10-12 x 3/4 HWH	239-44113-00	239-44113-00
20 Brass Drain Valve	415-42351-02	415-42351-02
21 Flammable Vapor Sensor Clip Kit (2 pcs)	265-45648-00	265-45648-00
22 Flammable Vapor Sensor kit (2 pcs)	415-45560-00	415-45560-00
23 Flammable Vapor Sensor Harness	239-49791-00	239-49791-00
24 Inner Door Gasket Kit	239-44078-00	239-44078-00
25 ASSE Approved Mixing Valve (Optional)	239-51778-00	239-51778-00
26 Kit-Heat Trap Insert	265-51572-00	265-51572-00
27 Gas Valve Natural Gas	415-48795-02	415-48795-02
Gas Valve LP Gas	415-48796-02	415-48796-02
28 Insulation Kit	239-48949-00	239-48949-00

*Applies to all warranties

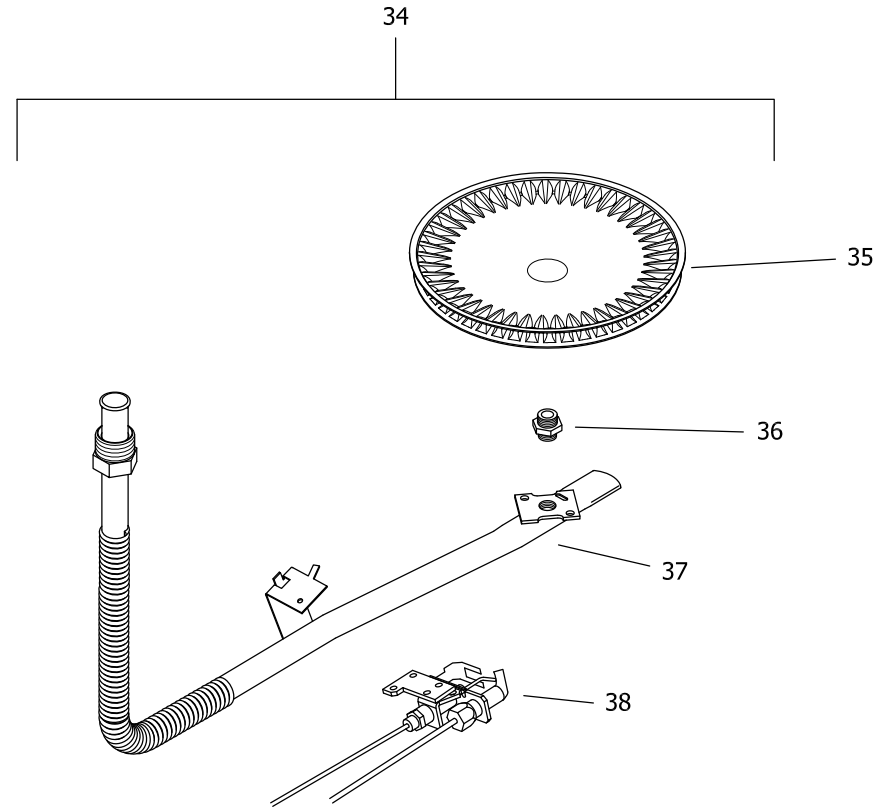
Anode may need to be cut to length; see end of this parts list for further information.

▲ Order with item 8

▲▲ Order with item 11



NATURAL GAS (BN) BURNER ASSEMBLY



LP GAS (SX) BURNER ASSEMBLY

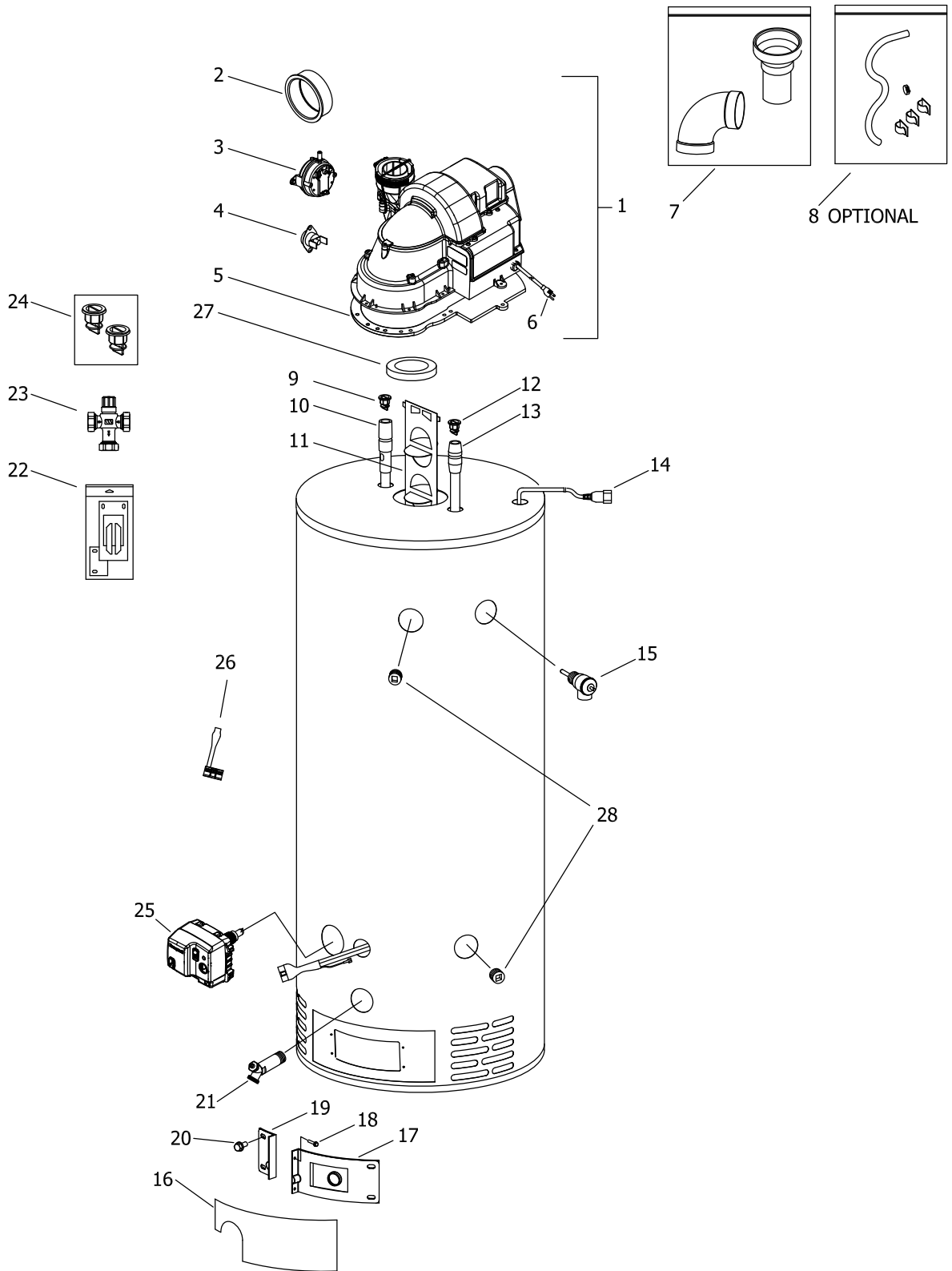
LP GAS (SX) BURNER ASSEMBLY TO REPLACE LP GAS (CX) BURNER ASSEMBLY

Item Description	Model	Model
	RG2PV40S*(N,X)19	RG2PV50S*(N,X)19
Natural Gas Burner Assembly		
29 Nat Gas Burner Assembly Complete***	265-47439-09-32	265-47439-09-32
30 Nat. Gas (N) Burner**	228-42506-00	228-42506-00
31 Nat. Gas (N) Main Burner Orifice 0 Ft. to 10,00 Ft. **	234-41034-32	234-41034-32
32 Nat. Gas Feedline	233-47431-04	233-47431-04
33 Nat. Gas Pilot Assembly**	415-45653-05	415-45653-05
LP Gas Burner Assembly		
34 LP Gas Burner Assembly Complete**	265-47440-31-50	265-47440-32-50
35 LP Gas (X) Burner**	228-46964-00	228-46964-00
36 LP Gas (X) Main Burner Orifice 0 Ft. to 10,100 Ft. **	234-47064-50	234-47064-50
37 LP Feedline**	233-47432-03	233-47432-03
38 LP Gas Pilot Assembly**	233-54338-02	233-54338-02
LP to Nat. Gas Conversion Kit 0 Ft. to 10,100 Ft.	265-46493-128	265-46493-129

*Applies to all warranties.

**Inner door gasket kit recommended.

***Ordering a complete burner assembly may increase delivery time. Please order the specific component required for the quickest delivery.



Item Description	Model	Model
	RG2PV75H*(N,X)19◆	LG2PV75H76*(N,X)19◆
1 Blower Complete	415-54694-00	415-54694-00
2 Gasket Adapter Rubber PVC	415-53864-00	415-53864-00
3 Pressure Switch	415-45867-07	415-45867-07
4 Blower Temperature Switch	415-53995-00	415-53995-00
5 Blower Gasket	415-53693-00	415-53693-00
6 Blower Power Cord	239-45990-00	239-45990-00
7 3" Exhaust Adaptor w/Vent Terminal	239-54316-00	239-54316-00
8 Condensate Hose Kit (Optional)	415-45875-00	415-45875-00
9 Heat Trap Insert (Outlet)	415-45167-00	415-45167-00
10 Hot Water Outlet Anode (Magnesium)▲#	415-47776-19	415-47776-19
Hot Water Outlet (Aluminum)▲#	415-32999-28	415-32999-28
Hot Water Outlet (A420 Aluminum)▲#	415-49560-10	415-49560-10
11 Flue Baffle	239-45373-00	239-45373-00
12 Heat Trap Insert (Inlet)	415-51556-00	415-51556-00
13 Cold Water Inlet Dip Tube ▲▲	415-51230-20	415-51230-29
14 Safety Circuit Wire Harness	239-53966-02	239-53966-02
15 T&P Relief Valve	415-40594-02	415-40594-02
16 Outer Door	239-43962-00	239-43962-00
17 Right Side Inner Door Complete w/Gasket	239-47504-22	239-47504-22
18 Screw-#8-15 x 3/4 HWH	239-44195-00	239-44195-00
19 Left Side Inner Door Complete w/Gasket	239-43968-20	239-43968-20
20 Screw-#10-12 x 3/4 HWH	239-52581-00	239-52581-00
21 Brass Drain Valve	415-42351-02	415-42351-02
22 Inner Door Gasket Kit	239-47792-00	239-47792-00
23 ASSE Approved Mixing Valve (Optional)	239-51778-00	239-51778-00
24 Kit-Heat Trap Insert	265-51572-00	265-51572-00
25 Gas Valve Natural Gas	415-48795-02	415-48795-04
Gas Valve LP Gas	415-48796-02	415-48796-04
26 Simulated Resistive Device Harness	239-49817-00	239-49817-00
27 Flue Reducer	243-42572-00	243-42572-00
28 3/4" NPT Pipe Plug	239-11638-00	239-11638-00

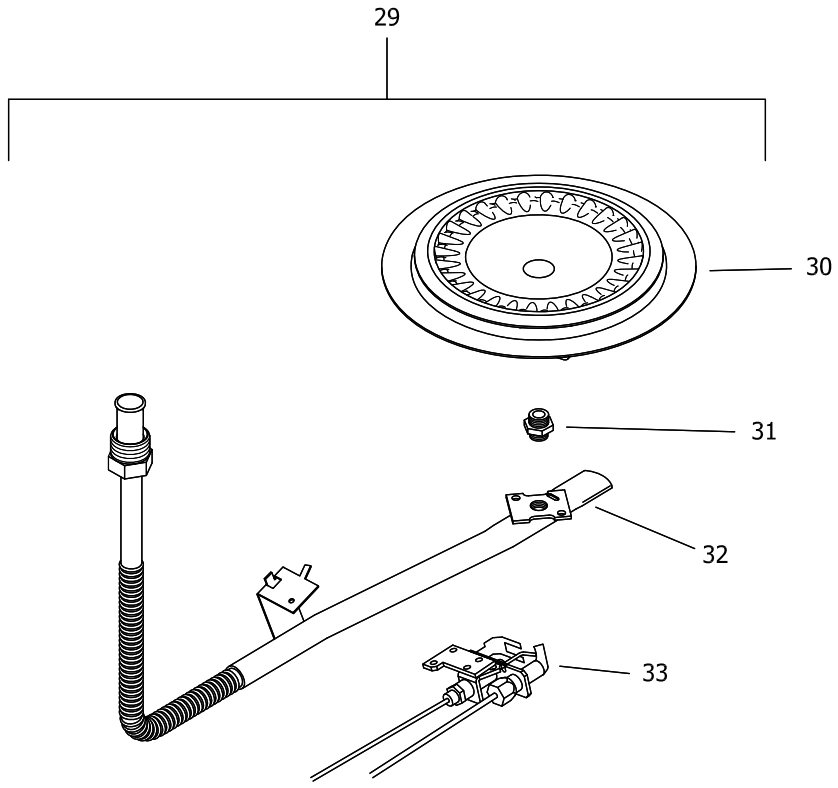
* Applies to all warranties

Anode may need to be cut to length; see end of this parts list for further information.

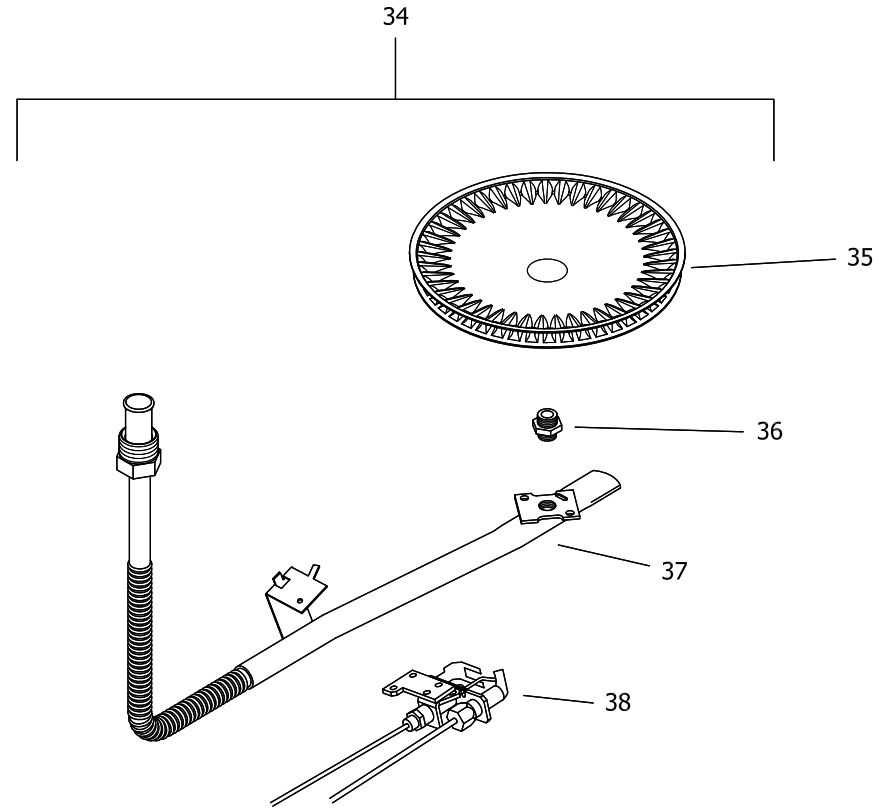
▲ Order with item 9

▲▲ Order with item 12

◆ (R,L)G2PV75H and (R,L)G1PV55H models are not flammable vapor compliant.



NATURAL GAS (BN) BURNER ASSEMBLY



LP GAS (SX) BURNER ASSEMBLY

LP GAS (SX) BURNER ASSEMBLY TO REPLACE LP GAS (CX) BURNER ASSEMBLY

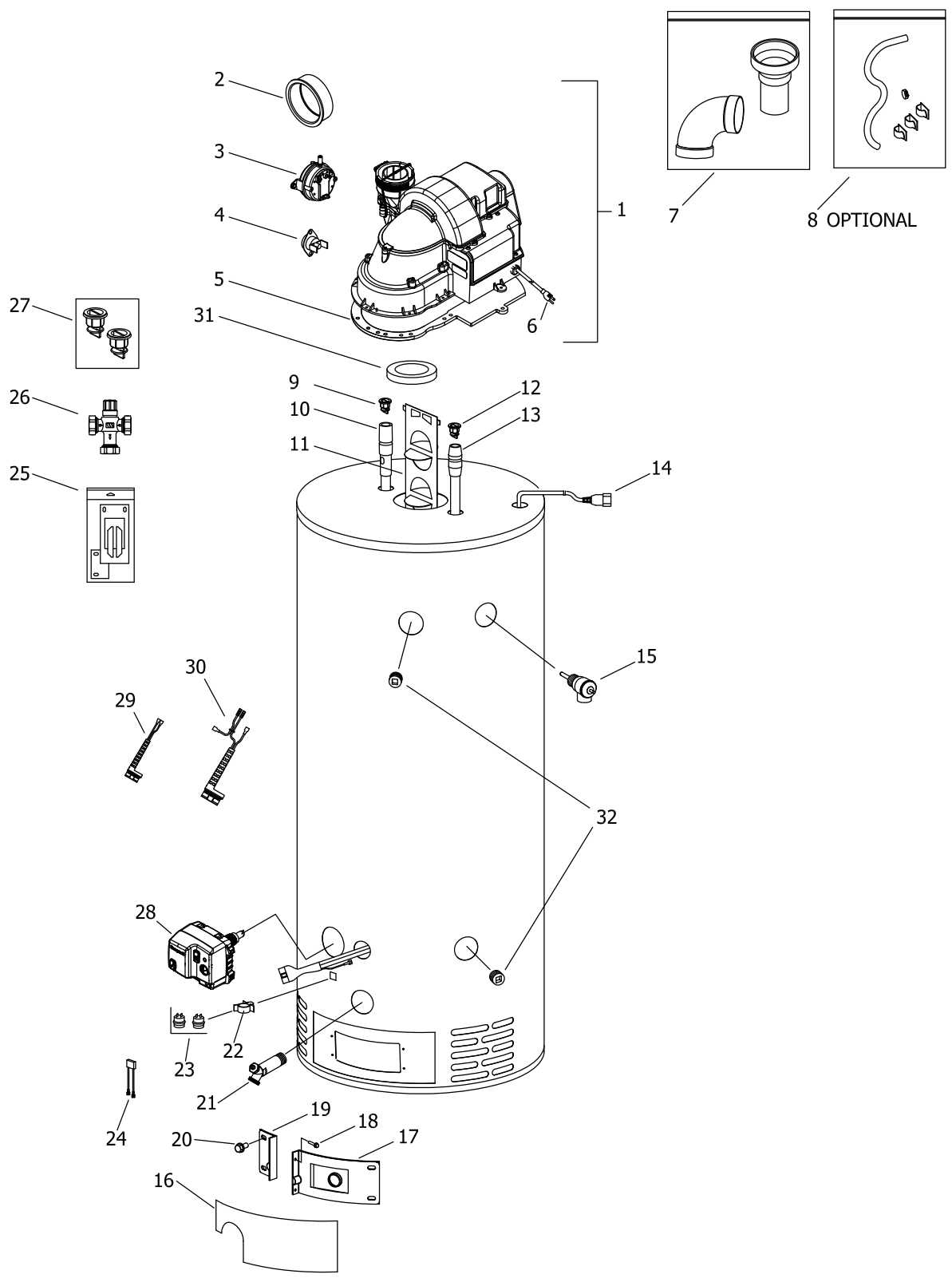
Item Description	Model	Model
	RG2PV75H*(N,X)19◆	LG2PV75H76*(N,X)19◆
Natural Gas Burner Assembly		
29 Nat Gas Burner Assembly Complete***	265-54340-01-21	265-54340-01-21
30 Nat. Gas (N) Burner**	228-47000-00	228-47000-00
31 Nat. Gas (N) Main Burner Orifice 0 Ft. to 10,100 Ft. **	234-41034-21	234-41034-21
32 Nat. Gas Feedline	233-54337-04	233-54337-04
33 Nat. Gas Pilot Assembly**	415-45653-05	415-45653-05
LP Gas Burner Assembly		
34 LP Gas Burner Assembly Complete***	265-54342-01-40	265-54342-01-40
35 LP Gas (X) Burner**	228-54313-00	228-54313-00
36 LP Gas (X) Main Burner Orifice 0 Ft. to 10,100 Ft. **	234-47064-40	234-47064-40
37 LP Feedline	233-47672-04	233-47672-04
38 LP Gas Pilot Assembly**	233-54338-02	233-54338-02
LP to Nat. Gas Conversion Kit 0 Ft. to 10,100 Ft.	265-46493-134	265-46493-135

* Applies to all warranties.

** Inner door gasket kit recommended.

*** Ordering a complete burner assembly may increase delivery time. Please order the specific component required for the quickest delivery.

◆ (R,L)G2PV75H and (R,L)G1PV55H models are not flammable vapor compliant.



Item Description	Model	Model
	RG1PV55H*(N,X)19◆	LG1PV55H78*(N,X)19◆
1 Blower Complete	415-54694-00	415-54694-00
2 Gasket Adapter Rubber PVC	415-53864-00	415-53864-00
3 Pressure Switch	415-45867-06	415-45867-06
4 Blower Temperature Switch	415-53995-00	415-53995-00
5 Blower Gasket	415-53693-00	415-53693-00
6 Blower Power Cord	239-45990-00	239-45990-00
7 3" Exhaust Adaptor w/Vent Terminal	239-54316-00	239-54316-00
8 Condensate Hose Kit (Optional)	415-45875-00	415-45875-00
9 Heat Trap Insert (Outlet)	415-45167-00	415-45167-00
10 Hot Water Outlet Anode (Magnesium)▲#	415-47776-19	415-47776-19
Hot Water Outlet (Aluminum)▲#	415-32999-28	415-32999-28
Hot Water Outlet (A420 Aluminum)▲#	415-49560-10	415-49560-10
11 Flue Baffle	239-51893-00	239-51893-00
12 Heat Trap Insert (Inlet)	415-45167-00	415-45167-00
13 Cold Water Inlet Dip Tube (PEX)▲▲	229-53466-04	229-53466-04
14 Safety Circuit Wire Harness	239-53966-02	239-53966-02
15 T&P Relief Valve	415-40594-01	415-40594-01
16 Outer Door	239-43962-00	239-43962-00
17 Right Side Inner Door Complete w/Gasket	239-45642-20	239-45642-20
18 Screw-#8-15 x 3/4 HWH	239-44195-00	239-44195-00
19 Left Side Inner Door Complete w/Gasket	239-43968-20	239-43968-20
20 Screw-#10-12 x 3/4 HWH	239-52581-00	239-52581-00
21 Brass Drain Valve	415-42351-02	415-42351-02
22 Flammable Vapor Sensor Clip	239-45648-00	239-45648-00
23 Flammable Vapor Sensor	415-45560-00	415-45560-00
24 Flammable Vapor Sensor Harness	239-45620-00	239-45620-00
25 Inner Door Gasket Kit	239-44078-00	239-44078-00
26 ASSE Approved Mixing Valve (Optional)	239-51778-00	239-51778-00
27 Kit-Heat Trap Insert	265-51572-00	265-51572-00
28 Gas Valve Natural Gas	415-48795-03	415-48795-03
Gas Valve LP Gas	415-48796-03	415-48796-03
29 Flammable Vapor Sensor Harness	239-49791-00	239-49791-00
30 FV Sensor and Thermal Switch Harness	239-50066-00	239-50066-00
31 Flue Reducer	243-42572-00	243-42572-00
32 3/4" NPT Pipe Plug	239-11638-00	239-11638-00

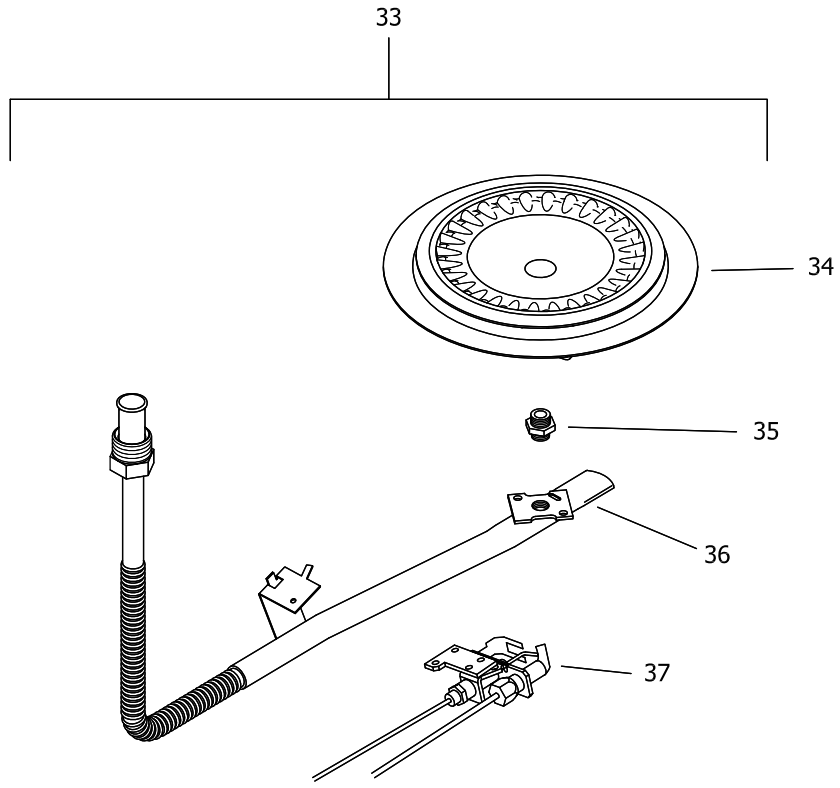
* Applies to all warranties

Anode may need to be cut to length; see end of this parts list for further information.

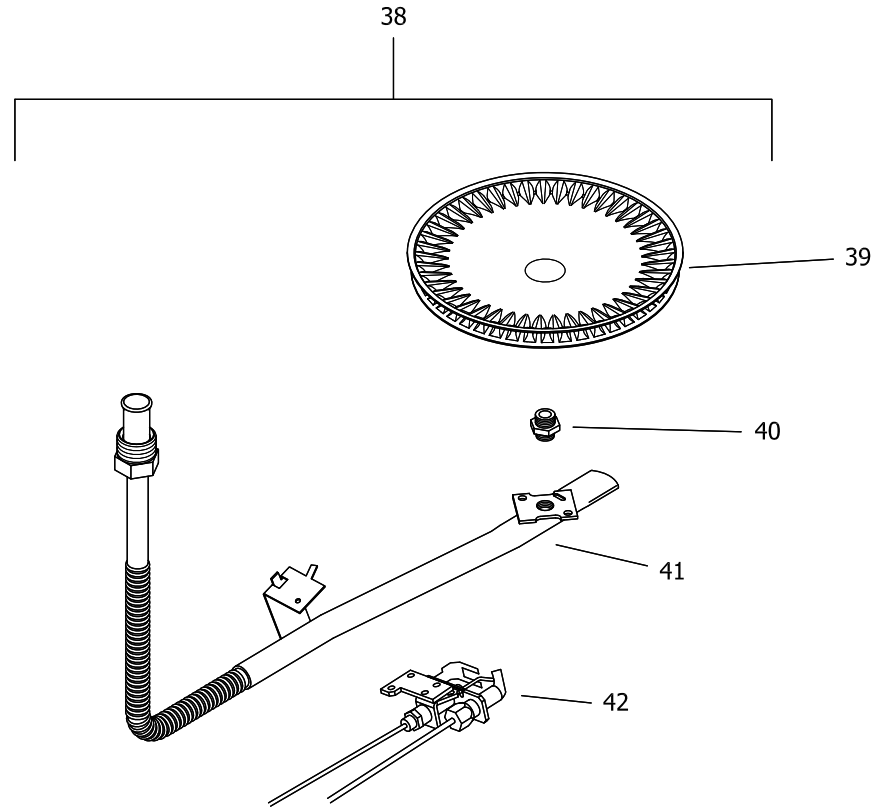
▲ Order with item 9

▲▲ Order with item 12

◆ (R,L)G2PV75H and (R,L)G1PV55H models are not flammable vapor compliant.



NATURAL GAS (BN) BURNER ASSEMBLY



LP GAS (SX) BURNER ASSEMBLY

LP GAS (SX) BURNER ASSEMBLY TO REPLACE LP GAS (CX) BURNER ASSEMBLY

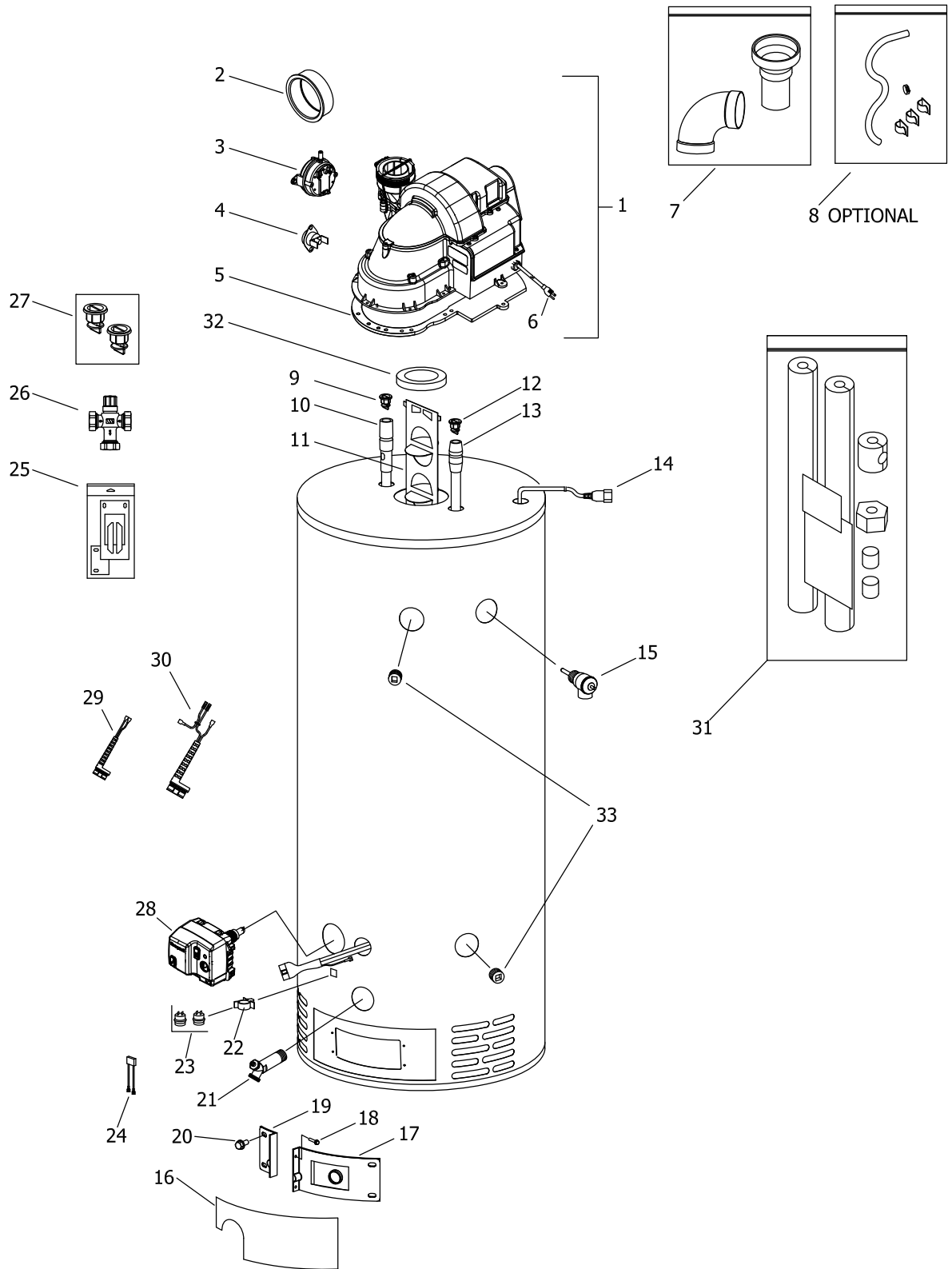
Item Description	Model	Model
	RG1PV55H*(N,X)19♦	LG1PV55H78*(N,X)19♦
Natural Gas Burner Assembly		
33 Nat Gas Burner Assembly Complete***	265-47439-15-24	265-47439-15-24
34 Nat. Gas (N) Burner**	228-47000-00	228-47000-00
35 Nat. Gas (N) Main Burner Orifice 0 Ft. to 10,100 Ft. **	234-41034-24	234-41034-24
36 Nat. Gas (N) Feedline	233-47431-04	233-47431-04
37 Nat. Gas Pilot Assembly**	415-45653-05	415-45653-05
LP Gas Burner Assembly		
38 LP Gas Burner Assembly Complete***	265-47440-31-40	265-47440-31-40
39 LP Gas (X) Burner**	228-46964-00	228-46964-00
40 LP Gas (X) Main Burner Orifice 0 Ft. to 10,100 Ft. **	234-47064-40	234-47064-40
41 LP Gas (X) Feedline	233-47432-03	233-47432-03
42 LP Gas Pilot Assembly**	233-54338-02	233-54338-02
LP to Nat. Gas Conversion Kit 0 Ft. to 10,100 Ft.	265-46493-132	265-46493-133

* Applies to all warranties.

** Inner door gasket kit recommended.

*** Ordering a complete burner assembly may increase delivery time. Please order the specific component required for the quickest delivery.

♦ (R,L)G2PV75H and (R,L)G1PV55H models are not flammable vapor compliant.



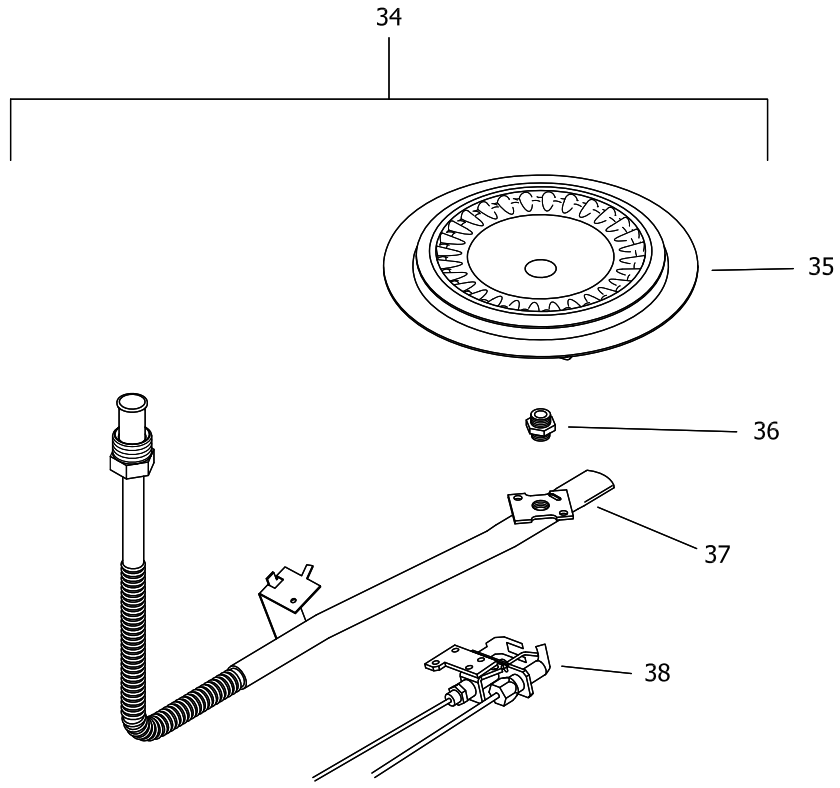
Item Description	Model	Model
	RG2PV50H*(N,X)19	LG2PV50H65*(N,X)19
1 Blower Complete	415-54694-00	415-54694-00
2 Gasket Adapter Rubber PVC	415-53864-00	415-53864-00
3 Pressure Switch	415-45867-06	415-45867-06
4 Blower Temperature Switch	415-53995-00	415-53995-00
5 Blower Gasket	415-53693-00	415-53693-00
6 Blower Power Cord	239-45990-00	239-45990-00
7 3" Exhaust Adaptor w/Vent Terminal	239-54316-00	239-54316-00
8 Condensate Hose Kit (Optional)	415-45875-00	415-45875-00
9 Heat Trap Insert (Outlet)	415-45167-00	415-45167-00
10 Hot Water Outlet Anode (Magnesium)▲#	415-47776-19	415-47776-19
Hot Water Outlet (Aluminum)▲#	415-32999-28	415-32999-28
Hot Water Outlet (A420 Aluminum)▲#	415-49560-10	415-49560-10
11 Flue Baffle	239-45373-00	239-45373-00
12 Heat Trap Insert (Inlet)	415-51556-00	415-45167-00
13 Cold Water Inlet Dip Tube▲▲	415-51230-20	229-45092-08
14 Safety Circuit Wire Harness	239-53966-02	239-53966-02
15 T&P Relief Valve	415-40594-02	415-40594-02
16 Outer Door	239-43962-00	239-43962-00
17 Right Side Inner Door Complete w/Gasket	239-45642-18	239-45642-18
18 Screw-#8-15 x 3/4 HWH	239-44195-00	239-44195-00
19 Left Side Inner Door Complete w/Gasket	239-43968-18	239-43968-18
20 Screw-#10-12 x 3/4 HWH	239-52581-00	239-52581-00
21 Brass Drain Valve	415-42351-02	415-42351-02
22 Flammable Vapor Sensor Clip	239-45648-00	239-45648-00
23 Flammable Vapor Sensor	415-45560-00	415-45560-00
24 Flammable Vapor Sensor Harness	239-45620-00	239-45620-00
25 Inner Door Gasket Kit	239-44078-00	239-44078-00
26 ASSE Approved Mixing Valve (Optional)	239-51778-00	239-51778-00
27 Kit-Heat Trap Insert	265-51572-00	---
28 Gas Valve Natural Gas	415-48795-02	415-48795-04
Gas Valve LP Gas	415-48796-02	415-48796-04
29 Flammable Vapor Sensor Harness	239-49791-00	239-49791-00
30 FV Sensor and Thermal Switch Harness	239-50066-00	239-50066-00
31 Insulation Kit	239-48949-00	239-48949-00
32 Flue Reducer	239-53963-00	239-53963-00
33 3/4" NPT Pipe Plug	239-11638-00	239-11638-00

* Applies to all warranties

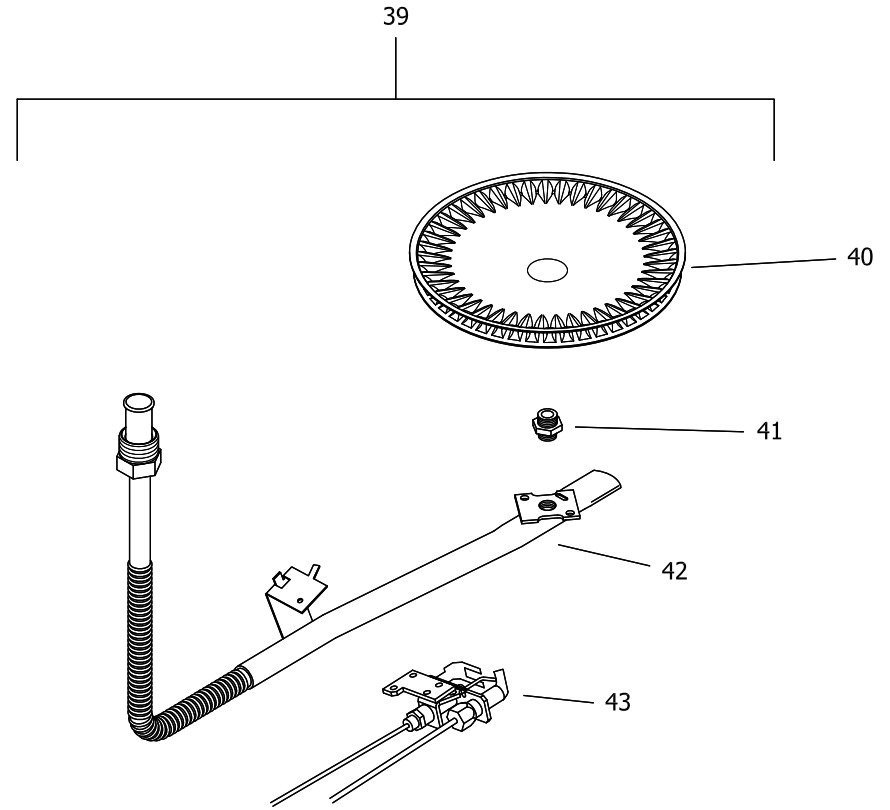
Anode may need to be cut to length; see end of this parts list for further information.

▲ Order with item 9

▲▲ Order with item 12



NATURAL GAS (BN) BURNER ASSEMBLY



LP GAS (SX) BURNER ASSEMBLY

LP GAS (SX) BURNER ASSEMBLY TO REPLACE LP GAS (CX) BURNER ASSEMBLY

Item Description	Model	Model
	RG2PV50H*(N,X)19	LG2PV50H65*(N,X)19
Natural Gas Burner Assembly		
34 Nat Gas Burner Assembly Complete***	265-47439-06-27	265-47439-06-27
35 Nat. Gas (N) Burner**	228-42506-00	228-42506-00
36 Nat. Gas (N) Main Burner Orifice 0 Ft. to 10,100 Ft. **	234-41034-27	234-41034-27
37 Nat. Gas (N) Feedline	233-47431-04	233-47431-04
38 Nat. Gas Pilot Assembly**	415-45653-05	415-45653-05
LP Gas Burner Assembly		
39 LP Gas Burner Assembly Complete***	265-47440-31-43	265-47440-31-43
40 LP Gas (X) Burner**	228-46964-00	228-46964-00
41 LP Gas (X) Main Burner Orifice 0 Ft. to 10,100 Ft. **	234-47064-44	234-47064-44
42 LP Gas (X) Feedline	233-47432-03	233-47432-03
43 LP Gas Pilot Assembly**	233-54338-02	233-54338-02
LP to Nat. Gas Conversion Kit 0 Ft. to 10,100 Ft.	265-46493-130	265-46493-131

* Applies to all warranties.

** Inner door gasket kit recommended.

*** Ordering a complete burner assembly may increase delivery time. Please order the specific component required for the quickest delivery.

Reference Chart of Anode Length by Model

Model	Hex Head Anode Cut Length (End to end)	
	Inches	Millimeters
RG1PV40S*(N,X)19	36 1/8	918
RG1PV50S*(N,X)19	39 1/8	994
RG2PV40S*(N,X)19	36 1/8	918
RG2PV40T*(N,X)19	44 1/8	1121
RG2PV50S*(N,X)19	39 1/8	994
RG2PV50T*(N,X)19	44 1/8	1121
RG2PV60T*(N,X)19	44 1/8	1121
(L,R)G2PV50H*(N,X)19	47 1/8	1210
(L,R)G1PV55H*(N,X)19	44 1/8	1121
(L,R)G2PV75H*(N,X)19	47 5/8	1210



United States

Sales 800-523-2931

Technical Support 800-334-3393

Email techserv@bradfordwhite.com

Warranty 800-531-2111

Email warranty@bradfordwhite.com

Service Parts 800-538-2020

Email parts@bradfordwhite.com

Canada

Sales & Technical Support 866-690-0961 905-203-0600

Fax 905-636-0666

Warranty bwccwarranty@bradfordwhite.com

Technical Support bwccotech@bradfordwhite.com

Service Parts orders@bradfordwhitecanada.com

Orders ca.orders@bradfordwhite.com

For U.S. and Canada field service,
contact your professional installer or
local Bradford White sales representative.

International

General Contact international@bradfordwhite.com