

# Product Catalog

## Split System Air Conditioners Odyssey™

Cooling Condenser — 6 to 25 Tons — 60 Hz  
Air Handler — 5 to 25 Tons — 60 Hz



## Introduction

American Standard's reputation for providing quality comfort solutions continues with the development of the next generation Light Commercial Odyssey Split Systems.

With wide network availability, flexible applications, installation ease, built-in reliability and easy servicing, Odyssey will meet any number of customer applications. Add to that American Standard's outstanding customer service and you have the formula to make Odyssey the clear choice for continued customer satisfaction.

## Wide network availability

A broad distribution network provides owners, maintenance personnel, contractors, etc., the means to get their hands on equipment when they need it. Whether it's an emergency replacement or a new construction project in its infancy stages, Odyssey products meet an array of needs at the right time and right price.

## Flexible applications

No matter what the application, Odyssey provides the solution. A broad array of models and tonnages are available with single or dual compressors, single or dual circuits and numerous accessories. Condensing units can be installed on the ground or on a rooftop along with extended piping runs, while air handlers can be free discharge on the ground or horizontally suspended with long duct runs from a ceiling. Should application challenges arise, Odyssey delivers.

## Easy to install

Small footprints and low weights combined with factory installed components like TXVs, filter driers, etc., reduce installation time and cost. Colored and numbered wiring and factory tested units make Odyssey the right choice.

## Built-in reliability

Keeping in mind that productivity only occurs when equipment is operational, American Standard has taken the steps to ensure that Odyssey is up and running. Early indicators such as phase/reversal monitors and loss of charge protection provide diagnostics which prevent failure and provide years of worry-free service and operation.

## Easy to service

When preventive maintenance or service is required, technicians will find efficient access to both air handlers and condensers. Panels provide complete, easy access coupled with standardized cabinets in which all components are located in proximity. Odyssey's improved design results in minimum service times and costs.

With these capabilities, Odyssey provides customers high efficiency and superior performance for the best all-around value in the market today.

## Copyright

This document and the information in it are the property of Trane, and may not be used or reproduced in whole or in part without written permission. Trane reserves the right to revise this publication at any time, and to make changes to its content without obligation to notify any person of such revision or change.

## Trademarks

All trademarks referenced in this document are the trademarks of their respective owners.

## Revision History

- TTA1504\*D gross cooling capacities table and capacity curve have been updated. See "[Gross Cooling Capacities](#)," p. 29.
- Minor running edits included.

## Table of Contents

Features .....	6
Split System Overview .....	6
Other Features.....	6
Standard and Optional Features.....	7
Standard and Optional Controls.....	9
Accessories.....	12
Cooling Condenser .....	12
Air Handler.....	13
Electric Heaters.....	15
Application Considerations .....	17
Clearance Requirements .....	17
180° Blower Rotation.....	17
Low Ambient Cooling .....	17
Selection Procedure .....	19
Cooling Capacity.....	19
Heating Capacity.....	19
Air Delivery .....	20
Model Number Description .....	21
Cooling Condenser .....	21
Air Handler.....	22
General Data.....	23
Performance Data .....	29
Gross Cooling Capacities .....	29
Fan Performance .....	65
Controls .....	96
ReliaTel.....	96
Electromechanical .....	97
Electrical Data .....	98
Cooling Condenser .....	98
Air Handler (Standard, SZVAV and 2-Speed VFD).....	100
Jobsite Connections .....	113
Electromechanical Controls.....	113
ReliaTel Controls .....	113

Dimensional Data.....	115
Cooling Condenser .....	115
Air Handler.....	123
Accessories .....	131
Weights.....	138
Cooling Condenser .....	138
Air Handler.....	139
Accessories .....	141
Mechanical Specifications .....	142
Condensing Units.....	142
Air Handlers.....	145

## Features

### Split System Overview

Unlike typical split systems on the market, Odyssey offers easy servicing, built-in reliability, ease of installation and outstanding customer service. And because today's owners are very cost-conscious when it comes to service and maintenance, the Odyssey Split System was designed with direct input from service contractors. This valuable information helped to design a product that would get the service person off the job quicker and save the owner money.

### Flexible Applications

Odyssey offers outstanding standard features enhanced by a variety of factory and field installed options, multiple control options, rigorously tested proven designs and superior product and technical support. Because of this, Odyssey offers ultimate flexibility. Units are built to order in our standard "shortest in the industry" ship cycle time. Odyssey is available with single, dual and manifolded compressor options. Single compressor outdoor units feature a single refrigeration circuitry, lowering job installation costs by requiring only one set of refrigerant lines.

Equally important, Odyssey offers single refrigerant circuit/capacity unloading models. The unloading units feature dual manifolded scroll compressors with two stages of capacity modulation and a single refrigeration circuit. Dual compressor/dual circuit models give true stand-by protection - if one compressor fails, the second will automatically start-up. Also, the first compressor can be serviced without shutting down the unit since the refrigerant circuits are independent. Dual compressor models also save on energy costs. During light load conditions, only one compressor will operate to save energy.

### Unmatched Product Support

One of our finest assets, American Standard Sales Representatives are a support group that can assist you with:

- Product
- Application
- Service
- Training
- Special Applications
- Specifications
- Computer Programs and much more

### Rigorous Testing

Our units are rigorously rain tested to ensure water integrity. Actual shipping tests are performed to determine packaging requirements. Units are test shipped around the country to determine the best packaging. Factory shake and drop tests are used as part of the package design process to help assure that the unit arrives at the job site in top condition. Rigging tests include lifting a unit into the air and letting it drop one foot, assuring that the lifting lugs and rails hold up under stress. A 100% coil leak test is performed at the factory. The condenser coils are leak tested at 660 psig and evaporators to 450 psig. All parts are inspected at the point of final assembly. Sub-standard parts are identified and rejected immediately. Every unit receives a 100% unit run test before leaving the production line to ensure it lives up to rigorous American Standard requirements.

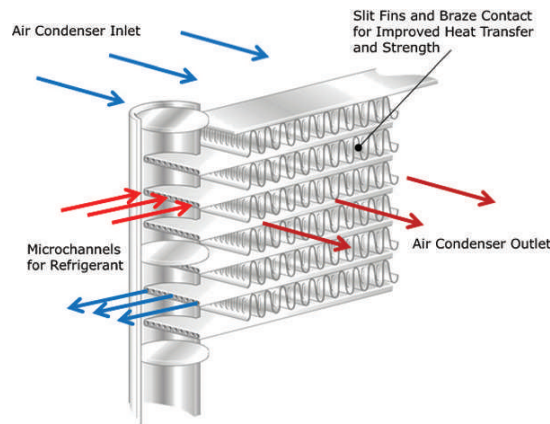
## Other Features

### Microchannel Condenser Coil

Microchannel condensing coils are all-aluminum coils with fully-brazed construction. This design reduces risk of leaks and provides increased coil rigidity — making them more rugged on the jobsite. Their flat streamlined tubes with small ports and metallurgical tube-to-fin bond allow for

exceptional heat transfer. Microchannel all-aluminum construction provides several additional benefits:

- Light weight (simplifies coil handling)
- Easy to recycle
- Minimize galvanic corrosion



## Standard and Optional Features

Figure 1. Compressors

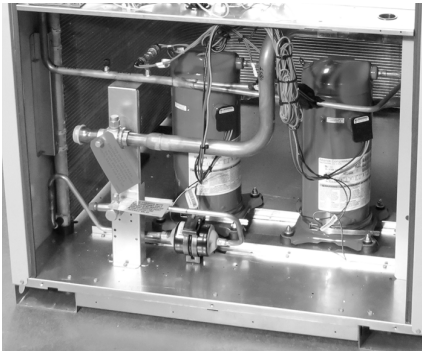


Figure 2. Belt drive motor

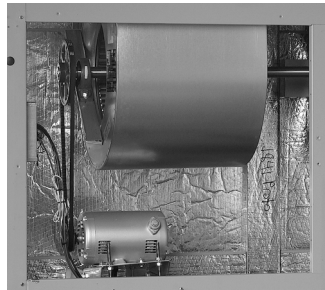


Figure 3. Easy access to terminal board



**Airflow Distribution** — Odyssey can replace an older machine with old ductwork and, in many cases, improve the comfort through better air distribution.

**Anti-Short Cycle Timer** — Provides a 3 minute minimum "ON" time and 3 minute "OFF" time for compressors to enhance compressor reliability by assuring proper oil return.

**Belt Drive Motors** — For additional static requirements, Odyssey Split Systems offer standard belt drive motors to meet and exceed a wide range of airflow needs.

**Colored And Numbered Wiring** — Save time and money tracing wires and diagnosing the unit.

**Compressors** — Odyssey Split Systems contain the best compressor technology available to achieve the highest possible performance. Dual compressors perform very well under part load cooling conditions and system back-up applications. Dual compressors are available on 6-25 ton models and allow for efficient cooling utilizing 2-stages of compressor operation.

**Complete Coat™ Microchannel Condenser Coil** — This cathodic, epoxy-type electro-disposition coating is formulated for high edge builds and provides excellent resistance and durability in potentially corrosive environments due to alkalis, acids, alcohols, petroleum, seawater, salty air, etc. Available for Microchannel units only.

## Features

**Convertible Units** — The air handlers ship in a horizontal configuration. They can be easily converted to vertical by simply repositioning the drain pan. Units come complete with duct flanges so the contractor doesn't have to field fabricate them. These duct flanges are a time and cost saver.

**Crankcase Heaters** — These band heaters provide improved compressor reliability by warming the oil to prevent migration during off-cycles or low ambient conditions.

**Dual Sloped Drain Pans** — Every Odyssey unit has a non-corrosive, removable, double sloped drain pan that's easy to clean and reversible to allow installation of drain trap in two positions on either side of the unit.

**Easy Access Low Voltage Terminal Board** — Odyssey's Low Voltage Terminal Board is external to the line voltage electrical cabinet. It is extremely easy to locate and attach the thermostat wire and test operation of all unit functions. This is another cost and time saving installation feature.

**Electric Heaters** — Electric heat modules are available in a variety of voltages and capacities.

**Foil Faced Insulation** — All internal air handler surfaces have cleanable foil-faced insulation. All edges are either captured or sealed to ensure insulation fibers do not get into the airstream.

**Hail/Vandal Guards** — These coil guards shall be either factory or field installed for condenser coil protection. This feature protects the condenser coil from vandalism and/or hail damage. When ordered factory installed, it also adds additional shipping protection.

**High/Low Static Motor** — Available on many models, this high static motor accessory extends the capability of the standard unit.

**High Pressure Control** — All units include High Pressure Control as standard.

**Low Ambient** — Provides ability to cool space when outdoor ambient is below 50°F. Choice of fan on/off or modulating control.

**Low Ambient Cooling** — All Odyssey microprocessor units have cooling capabilities down to 0° F as standard. Electromechanical models have cooling capabilities to 50°F as built, or to 0°F by adding an optional low ambient kit.

**Low Voltage Connections** — The wiring of the low voltage connections to the unit and the zone sensors is as simple as 1-1, 2-2, and 3-3. This simplified system makes it easy for the installer to wire.

**Phase Monitor/Reversal Protection** — Phase monitor shall provide 100% protection for motors and compressors against problems caused by phase loss, phase imbalance, and phase reversal. Phase monitors are equipped with an LED that provides an ON or FAULT indicator.

**Quick-Access Panels** — Remove a few screws for access to the standardized internal components and wiring.

**Single Point Power** — A single electrical connection powers the unit.

**Single Side Service** — Single side service is standard on all units.

**Standardized Components** — Components are placed in the same location on all Odyssey units. Because of these standardized components throughout the Odyssey line, contractors/owners can stock fewer parts.

**Thermal Expansion Valve with Bypass Check Valves** — This feature is standard on all indoor units.

**Unit Cabinet** — The compact cabinet takes up less room and is less costly to ship. It's cabinet design also ensures water integrity.

**Table 1. Odyssey features – standard and optional**

	Standard Features	Options <sup>(a)</sup>	
		Factory Installed	Field Installed
1-year Limited Parts Warranty	X		
5-year Limited Compressor Warranty	X		
Anti-Short Cycle Timer	X		



Table 1. Odyssey features – standard and optional (continued)

	Standard Features	Options <sup>(a)</sup>	
		Factory Installed	Field Installed
Belt Drive Motors	X		
Colored and Numbered Wiring	X		
Complete Coat™ Microchannel Condenser Coil		X	
Compressor Discharge Temperature Limit (DTL)	X		
Convertible Airflow	X		
Crankcase Heaters	X		
Easy Access Low Voltage Terminal Board (LTB)	X		
Electric Heaters			X
Filters	X		
Foil-Faced and Edge Captured Insulation	X		
Hail/Vandal Guards		X	X
High Pressure Control	X		
High Static Motor Kit <sup>(b)</sup>			X
Hot Gas Bypass			X
IAQ Dual Sloped and Removable Drain Pans	X		
Liquid Line Refrigerant Drier	X		
Low Ambient Cooling			X
Low Ambient Cooling to 0°F on Microprocessor Models <sup>(c)</sup>			X
Low Ambient Cooling to 50°F on Electromechanical Models	X		
Low Pressure Control	X		
Low Static Motor Kit <sup>(b)</sup>			X
Low Voltage Circuit Protection	X		
Phase Loss/Reversal Monitor	X		
Quick Access Panels	X		
Scroll Compressors	X		
Single Point Power	X		
Single Side Service	X		
Standardized Components	X		
Thermal Expansion Valve	X		
Vibration Isolators			X

<sup>(a)</sup> Refer to model number description for option availability or contact Product Support.

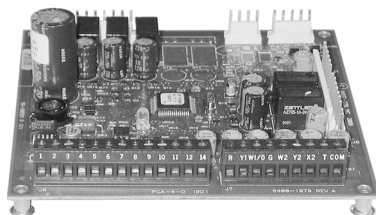
<sup>(b)</sup> Available on standard units only. See Accessories chapter for more information.

<sup>(c)</sup> Modulating BAYLOAM recommended.

## Standard and Optional Controls

### ReliaTel™ Controls

Figure 4. ReliaTel board



## Features

---

ReliaTel controls provide unit control for heating, cooling, and ventilating, utilizing input from sensors that measure outdoor and indoor temperature. ReliaTel also provides outputs for building automation systems and expanded diagnostics. Quality and reliability are enhanced through ReliaTel control and logic:

- Prevents the unit from short cycling, considerably improving compressor life.
- Ensures the compressor will run for a specific amount of time which allows oil to return for better lubrication, enhancing the reliability of the compressor.
- Reduces the number of components required to operate the unit, reducing possibilities for component failure.

### ReliaTel Makes Installing and Servicing Easy

ReliaTel eliminates the need for field-installed, anti-short cycle timer and time delay relays. The wiring of the low voltage connections to the unit and the zone sensors is as easy as 1-1, 2-2, and 3-3. This simplified system makes wiring easier for the installer.

### ReliaTel Makes Testing Easy

ReliaTel requires no special tools to run the unit through its paces. Simply place a jumper between Test 1 and Test 2 terminals on the Low Voltage Terminal Board and the unit will walk through its operational steps automatically. The unit automatically returns control to the zone sensor after stepping through the test mode a single time, even if the jumper is left on the unit. As long as the unit has power and the “system on” LED is lit, ReliaTel is operational. The light indicates that the controls are functioning properly. Some zone sensor options have central control panel lights which indicate the mode the unit is in and possible diagnostic information (dirty filters for example).

### ReliaTel Has Other Benefits

- The ReliaTel built-in anti-shortcycle timer, time delay relay and minimum “on” time control functions are factory tested to assure proper operation.
- ReliaTel softens electrical “spikes” by staging on fans, compressors and heaters.
- Intelligent Fallback is a benefit to the building occupant. If a component goes astray, the unit will continue to operate at predetermined temperature setpoint.
- Intelligent Anticipation is a standard feature. It functions continuously as ReliaTel and zone sensor(s) work together in harmony to provide much tighter comfort control than conventional electromechanical thermostats.
- The ReliaTel design is standardized across the board, ensuring a lower cost to owners.

## Additional Controls

**Frostat™** — This control utilizes a capillary bulb embedded in the face of the evaporator coil which monitors coil temperature to inhibit evaporator icing and protect the compressor. Recommended for applications with low leaving air temperatures, low airflow and/or high latent load applications.

**LonTalk® Communications Interface** — The LonTalk communications interface allows the unit to communicate as a Tracer™ LCI-V device or directly with generic LonTalk Network Building Automation System Controls.

**BACnet® Communication Interface (BCI)** — The BACnet Communication Interface allows the unit to communicate directly with a generic open protocol BACnet MS/TP Network Building Automation Control System.

**Electromechanical** — For the simpler job that does not require a building automation system, or expanded diagnostics capabilities, Odyssey offers electromechanical controls. This 24-volt control includes the control transformer and contactor pressure lugs for power wiring.

**Zone Sensors/Thermostats**— Available in wireless, programmable, automatic and manual styles.

**Table 2. Odyssey control options – standard and optional**

	Standard Features	Options <sup>(a)</sup>	
		Factory Installed	Field Installed
BACnet Communication Interface (BCI)			X
Froststat - Evaporator Defrost Control (EDC)	X		
LonTalk Communications Interface (LCI)		X	X
ReliaTel Microprocessor Controls	X	X	
Electromechanical Controls		X	
Thermostat			X
Wireless Zone Sensor			X
Zone Sensor			X

<sup>(a)</sup> Refer to model number description for option availability or contact Product Support.

## Accessories

### Cooling Condenser

**Table 3. TTA Accessories**

Model	Used With
<b>Coil (Hail/Vandal) Guard</b>	
BAYGARD058*	TTA072, TTA090
BAYGARD059*	TTA120
BAYGARD060*	TTA150
BAYGARD061*	TTA180, TTA240
BAYGARD062*	TTA300
<b>Universal Hot Gas Bypass Kit</b>	
BAYHGBP010*	All models
<b>Rubber Isolators</b>	
BAYISLT004* (blue)	TTA072, TTA090
BAYISLT005* (black)	TTA120
BAYISLT009* (red)	TTA150, TTA180
BAYISLT010* (green)	TTA240, TTA300
<b>Steel Spring Isolators</b>	
BAYISLT023* (red)	TTA072, TTA090, TTA120**A
BAYISLT024* (black)	TTA120**C/D, TTA150, TTA180
BAYISLT025* (yellow)	TTA240, TTA300
<b>Service Valve Kit</b>	
BAYVALV001A	TTA0724*A, TTA0904*A, TTA1204*A/C
BAYVALV003A	TTA0724*D, TTA0904*D, TTA1204*D
BAYVALV004A	TTA1504*D
BAYVALV005A	TTA1804*D, TTA2404*D
BAYVALV007A	TTA1804*C, TTA2404*C
BAYVALV008A	TTA3004*C
<b>Low Ambient – On/Off Fan Control (External mount, small cabinets)<sup>(a) (b) (c)</sup></b>	
BAYLOAMU01* (External Mount, small cabinets) <sup>(d)</sup>	(all voltages) TTA072, TTA090
BAYLOAMU02* (Internal mount, large cabinets)	(all voltages) TTA120, TTA150, TTA180, TTA240, TTA300
<b>Head Pressure Control<sup>(b)</sup></b>	
BAYLOAM335* (208–230V, 0.5 HP, Hi-Eff Motor)	TTA072*3A, TTA090*3A
BAYLOAM336* (208–230V, 1 HP, Hi-Eff Motor)	TTA120*3A/C/D, TTA150*3D, TTA180*3C/D, TTA240*3C/D, TTA300*3C
BAYLOAM337* (208–230 V, 0.5HP, Hi-Eff motor)	TTA072*3D, TTA090*3D
BAYLOAM435* (380–460V, 0.5HP Hi-Eff Motor)	TTA072*4A, TTA090*4A
BAYLOAM436* (380–460V, 1 HP Hi-Eff Motor)	TTA120*4A/C/D, TTA150*4D, TTA180*4C/D, TTA240*4C/D, TTA300*4C
BAYLOAM437* (380–460V, 0.5 HP Hi-Eff Motor)	TTA072*4D, TTA090*4D
BAYLOAMW36* (575V, 1 HP, Hi-Eff Motor)	TTA120*WA/C/D, TTA150*WD, TTA180*WC/D, TTA240*WC/D, TTA300*WC
<b>Transducer Kit for Head Pressure Control (BAYLOAM335, 336, 435, 436, W36)</b>	
BAYLOTR001* <sup>(e)</sup>	TTA120**D, TTA150**D
<b>Trane Communication (3/4 Communications Interface)</b>	
BAYICSI003*	All Models
<b>LonTalk Communications Interface</b>	
BAYLTICI002*	All Models

<sup>(a)</sup> Cycles fan on/off (no modulating).

<sup>(b)</sup> Quantity of 1 required for each fan (2 total for ton and larger).

<sup>(c)</sup> ReliaTel™ requires onboard EDC function to be disabled when BAYLOAM is used, remove OA sensor from terminal J8-1&2

**Table 3. TTA Accessories (continued)**

(d) Kit mounts external to the outdoor unit and operates by sensing ambient and liquid line temperatures.

(e) BAYLOTR001 required when modulating BAYLOAM kits used with units that have 2 compressors (dual circuit) and 1 condenser fan.

## Air Handler

**Table 4. TWE Accessories**

Model	Used With
<b>Base (Subbase)</b>	
BAYBASE009*	TWE060
BAYBASE0010*	TWE072, TWE090
BAYBASE0011*	TWE120
BAYBASE0012*	TWE150, TWE180
BAYBASE0013*	TWE240, TWE300
<b>Drip Kit</b>	
BAYDRKT006*	TWE060
BAYDRKT007*	TWE072, TWE090
BAYDRKT008*	TWE120
BAYDRKT009*	TWE150, TWE180
BAYDRKT010*	TWE240, TWE300
<b>High Static Motor Kits<sup>(a)</sup></b>	
BAYHSMT104* — 1.5HP (230/1) with Motor Sheave, Fan Sheave and Belt	TWE060*1A/B
BAYHSMT105* — 1.5HP (230-460/3) with Motor Sheave, Fan Sheave and Belt	TWE060*3A/B, TWE060*4A/B
BAYHSMT106* — 1.5HP (575/3) with Motor Sheave, Fan Sheave and Belt	TWE060*WA
BAYHSMT107* — 2 HP (230/1) with Motor Sheave, Fan Sheave and Belt	TWE090*1A/B
BAYHSMT108* — 2HP (230-460/3) with Motor Sheave, Fan Sheave and Belt	TWE072*3B, TWE090*3A/B
BAYHSMT109* — 2 HP (575/3) with Motor Sheave, Fan Sheave and Belt	TWE072*WB, TWE090*WA/B
BAYHSMT110* — 3HP (230/460/3) with Motor Sheave, Fan Sheave and Belt	TWE072*3B, TWE090*3A/B
BAYHSMT111* — 3 HP (575/3) with Motor Sheave, Fan Sheave and Belt	TWE072*WB, TWE090*WA/B
BAYHSMT112* — 3HP (230/460/3) with Motor Sheave, Fan Sheave and Belt	TWE120*3A/B
BAYHSMT113* — 3 HP (575/3) with Motor Sheave, Fan Sheave and Belt	TWE120*WA/B
BAYHSMT114* — 3HP (230/460/3) with Motor Sheave, Fan Sheave and Belt	TWE150*3B
BAYHSMT115* — 3 HP (575/3) with Motor Sheave, Fan Sheave and Belt	TWE150*WB
BAYHSMT116* — 5 HP (230/3) with Motor Sheave, Fan Sheave and Belt	TWE150*3B
BAYHSMT117* — 5HP (460/3) with Motor Sheave, Fan Sheave and Belt	TWE150*3B
BAYHSMT118* — 5 HP (575/3) with Motor Sheave, Fan Sheave and Belt	TWE150*WB
BAYHSMT119* — 5 HP (208-230/3) with Motor Sheave and Fan Sheave (Stock Belt used)	TWE180*3B
BAYHSMT120* — 5HP (460/380-415/3) with Motor Sheave and Fan Sheave (Stock Belt used)	TWE180*3B
BAYHSMT121* — 5 HP (575/3) with Motor Sheave and Fan Sheave (Stock Belt used)	TWE180*WB
BAYHSMT122* — 7.5 HP (230/460/3) with Motor Sheave, Fan Sheave and Belt	TWE240*3B, TWE240*4B
BAYHSMT123* — 7.5 HP (575/3) with Motor Sheave, Fan Sheave and Belt	TWE240*WB
<b>Rubber Isolators<sup>(b) (c) (d)</sup></b>	
BAYISLT004* (Floor — Blue)	TWE060, TWE072, TWE090, TWE120
BAYISLT009* (Floor — Red) <sup>(e)</sup>	TWE150, TWE180
BAYISLT010* (Floor — Green) <sup>(e)(b)</sup>	TWE240, TWE300
BAYISLT012* (Suspended —Red/Green)	TWE150, TWE180
BAYISLT013* (Suspended —Red/Green) <sup>(d)</sup>	TWE060

## Accessories

**Table 4. TWE Accessories (continued)**

Model	Used With
BAYISLT014* (Suspended — Green) <sup>(d)</sup>	TWE072, TWE090
BAYISLT015* (Suspended — Green/Black) <sup>(d)</sup>	TWE120
BAYISLT016* (Suspended — Red/Green)	TWE240, TWE300
<b>Steel Spring Isolators<sup>(c)</sup></b>	
BAYISLT019* (Floor — Red) <sup>(e)(b)</sup>	TWE060, TWE072, TWE090, TWE120
BAYISLT021* (Floor — Black) <sup>(e)(b)</sup>	TWE150, TWE180
BAYISLT032* (Floor — Black/Yellow) <sup>(e)(b)</sup>	TWE240, TWE300
BAYISLT028* (Suspended — Tan)	TWE060
BAYISLT029* (Suspended — Red)	TWE072, TWE090, TWE120
BAYISLT030* (Suspended — Black)	TWE150, TWE180
BAYISLT031* (Suspended — Black/Yellow)	TWE240, TWE300
<b>Low Static Drive Kit<sup>(a)</sup></b>	
BAYLSMT001*	TWE240*3, TWE240*4
<b>Plenum<sup>(f)</sup></b>	
BAYPLNM015* (Discharge Plenum & Grille) <sup>(f)</sup>	TWE060
BAYPLNM016* (Discharge Plenum & Grille) <sup>(f)</sup>	TWE072, TWE090
BAYPLNM017* (Discharge Plenum & Grille) <sup>(f)</sup>	TWE120
BAYPLNM018* (Discharge Plenum/Hydronic Coil Plenum & Grille) <sup>(f)</sup>	TWE150, TWE180
BAYPLNM019* (Discharge Plenum/Hydronic Coil Plenum & Grille) <sup>(f)</sup>	TWE240, TWE300
BAYPLNM020* (Hydronic Coil Discharge Plenum & Grille) <sup>(f)</sup>	TWE060
BAYPLNM021* (Hydronic Coil Discharge Plenum & Grille) <sup>(f)</sup>	TWE072, TWE090
BAYPLNM022* (Hydronic Coil Discharge Plenum & Grille) <sup>(f)</sup>	TWE120
BAYPLNM030* (Electric Heat Discharge Plenum & Grille) <sup>(f)</sup>	TWE060
BAYPLNM031* (Electric Heat Discharge Plenum & Grille) <sup>(f)</sup>	TWE072, TWE090
BAYPLNM032* (Electric Heat Discharge Plenum & Grille) <sup>(f)</sup>	TWE120
BAYPLNM033* (Electric Heat Discharge Plenum & Grille) <sup>(f)</sup>	TWE150, TWE180
BAYPLNM034* (Electric Heat Discharge Plenum & Grille) <sup>(f)</sup>	TWE240, TWE300
<b>Return Air Grille</b>	
BAYGRLE001*	TWE060
BAYGRLE002*	TWE072, TWE090
BAYGRLE003*	TWE120
BAYGRLE004*	TWE150, TWE180
BAYGRLE005*	TWE240, TWE300
<b>Transformer</b>	
BAYTFMR011* — 75va transformer (230V) <sup>(g)</sup>	TWE072*3B*****0, TWE090*3A*****0/B*****0, TWE120*3A*****0/B*****0, TWE120*3B*****A, TWE150*3B*****A
BAYTFMR012* — 75va transformer (460/575V) <sup>(g)</sup>	460V = TWE072*3B*****0, TWE090*3A*****0/B*****0, TWE120*3A*****0/B*****0, TWE120*4B*****A, TWE150*4B*****A; 575V = TWE072*WB*****0, TWE090*WA*****0/B*****0, TWE120*WA*****0/B*****0
<b>Water Kits</b>	
BAYWATRO22* (Steam Coil Enclosure) <sup>(f)</sup>	TWE060
BAYWATRO23* (Steam Coil Enclosure) <sup>(f)</sup>	TWE072, TWE090
BAYWATRO24* (Steam Coil Enclosure) <sup>(f)</sup>	TWE120
BAYWATRO25* (Steam Coil Enclosure) <sup>(f)</sup>	TWE150, TWE180
BAYWATRO26* (Steam Coil Enclosure) <sup>(f)</sup>	TWE240, TWE300
BAYWATRO27* (Hot Water Coil Enclosure) <sup>(f)</sup>	TWE060
BAYWATRO28* (Hot Water Coil Enclosure) <sup>(f)</sup>	TWE072, TWE090
BAYWATRO29* (Hot Water Coil Enclosure) <sup>(f)</sup>	TWE120

Table 4. TWE Accessories (continued)

Model	Used With
BAYWATR030* (Hot Water Coil Enclosure) <sup>(f)</sup>	TWE150, TWE180
BAYWATR031* (Hot Water Coil Enclosure) <sup>(f)</sup>	TWE240, TWE300
<b>Wire Kit — 180° Blower Discharge Reversal Kit<sup>(h)</sup></b>	
BAYWRKT002*	TWE060, TWE072, TWE090, TWE120

- (a) Used on standard air handlers only.
- (b) Requires use of subbase accessory.
- (c) In units with steam or hot water coils applied vertically or horizontally, check IOM for proper Isolator Kit selection.
- (d) Do not use if blower will operate less than 600 RPM.
- (e) When the air handler is in the vertical position and close proximity trapping of condensate is required, use of subbase is required.
- (f) When installed horizontally, plenum/water coil must be self-supported.
- (g) Required when 6-10 ton air handlers are matched with 3-6 ton condensing units.
- (h) Cannot be used on TWE150-300, due to motor mount location.

## Electric Heaters

Table 5. Electric heaters

Model	Used With
<b>6–10 Ton Electric Heater Selection</b>	
BAYHTRL106* — 4.33/5.76 kW Heater 208/240/1 Phase	TWE060*1, TWE090*1, TWE120*1
BAYHTRL112* — 8.65/11.52 kW Heater 208/240/1 Phase	TWE060*1, TWE090*1, TWE120*1
BAYHTRL117* — 12.98/17.28 kW Heater 208/240/1 Phase	TWE060*1, TWE090*1, TWE120*1
BAYHTRL123* — 17.31/23.04 kW Heater 208/240/1 Phase	TWE060*1, TWE090*1, TWE120*1
BAYHTRL129* — 21.63/28.80 kW Heater 208/240/1 Phase	TWE090*1, TWE120*1
BAYHTRL305* — 3.76/5.00 kW Heater 208/240/3 Phase	TWE060*3, TWE072*3B, TWE090*3, TWE120*3 (STD, VFD, & OS MTR)
BAYHTRL310* — 7.48/9.96 kW Heater 208/240/3 Phase	TWE060*3, TWE072*3B, TWE090*3, TWE120*3 (STD, VFD, & OS MTR)
BAYHTRL315* — 11.24/14.96 kW Heater 208/240/3 Phase	TWE060*3, TWE072*3B, TWE090*3, TWE120*3 (STD, VFD, & OS MTR)
BAYHTRL325* — 18.72/24.92 kW Heater 208/240/3 Phase	TWE060*3, TWE072*3B, TWE090*3, TWE120*3 (STD, VFD, & OS MTR)
BAYHTRL335* — 26.20/34.88 kW Heater 208/240/3 Phase	TWE072*3B, TWE090*3, TWE120*3 (STD, VFD, & OS MTR)
BAYHTRL405* — 5.00 kW Heater 460/3 Phase <sup>(a)</sup>	TWE060*4, TWE072*3*****0, TWE072*4*****A/B, TWE090*3*****0, TWE090*4B*****A/B, TWE120*3*****0, TWE120*4*****A/B
BAYHTRL410* — 9.96 kW Heater 460/3 Phase <sup>(a)</sup>	TWE060*4, TWE072*3*****0, TWE072*4*****A/B, TWE090*3*****0, TWE090*4B*****A/B, TWE120*3*****0, TWE120*4*****A/B
BAYHTRL415* — 14.96 kW Heater 460/3 Phase <sup>(a)</sup>	TWE060*4, TWE072*3*****0, TWE072*4*****A/B, TWE090*3*****0, TWE090*4B*****A/B, TWE120*3*****0, TWE120*4*****A/B
BAYHTRL425* — 24.92 kW Heater 460/3 Phase <sup>(a)</sup>	TWE060*4, TWE072*3*****0, TWE072*4*****A/B, TWE090*3*****0, TWE090*4B*****A/B, TWE120*3*****0, TWE120*4*****A/B
BAYHTRL435* — 34.88 kW Heater 460/3 Phase <sup>(a)</sup>	TWE072*3*****0, TWE072*4*****A/B, TWE090*3*****0, TWE090*4B*****A/B, TWE120*3*****0, TWE120*4*****A/B
BAYHTRLW05* — 5 kW Heater 575/3 Phase	TWE060*W, TWE072*W, TWE090*W, TWE120*W (STD, VFD, & OS MTR)
BAYHTRLW10* — 9.96 kW Heater 575/3 Phase	TWE060*W, TWE072*W, TWE090*W, TWE120*W (STD, VFD, & OS MTR)
BAYHTRLW15* — 14.96 kW Heater 575/3 Phase	TWE060*W, TWE072*W, TWE090*W, TWE120*W (STD, VFD, & OS MTR)
BAYHTRLW25* — 24.92 kW Heater 575/3 Phase	TWE060*W, TWE072*W, TWE090*W, TWE120*W (STD, VFD, & OS MTR)

**Accessories**

**Table 5. Electric heaters (continued)**

<b>Model</b>	<b>Used With</b>
BAYHTRLW35* — 34.88 kW Heater 575/3 Phase	TWE072*W, TWE090*W, TWE120*W (STD, VFD, & OS MTR)
<b>12.5–25 Ton Electric Heater Selection</b>	
BAYHTRM310* — 7.51/10.0 kW Heater 208/230 3 Phase	TWE150*3, TWE180*3, TWE240*3, TWE300*3 (STD, VFD, & OS MTR)
BAYHTRM320* — 14.96/19.92 kW Heater 208/230 3 Phase	TWE150*3, TWE180*3, TWE240*3, TWE300*3 (STD, VFD, & OS MTR)
BAYHTRM330* — 22.47/29.92 kW Heater 208/230 3 Phase	TWE150*3, TWE180*3, TWE240*3, TWE300*3 (STD, VFD, & OS MTR)
BAYHTRM350* — 37.44/49.84 kW Heater 208/230 3 Phase	TWE150*3, TWE180*3, TWE240*3, TWE300*3 (STD, VFD, & OS MTR)
BAYHTRM410* — 10.0 kW Heater 460/3 Phase <sup>(a)</sup>	TWE150*3*****0, TWE150*4*****A/B, TWE180*3*****0, TWE180*4*****A/B, TWE240*4 (STD, VFD, & OS MTR), TWE300*4 (STD & VFD)
BAYHTRM420* — 19.92 kW Heater 460/3 Phase <sup>(a)</sup>	TWE150*3*****0, TWE150*4*****A/B, TWE180*3*****0, TWE180*4*****A/B, TWE240*4 (STD, VFD, & OS MTR), TWE300*4 (STD & VFD)
BAYHTRM430* — 29.92 kW Heater 460/3 Phase <sup>(a)</sup>	TWE150*3*****0, TWE150*4*****A/B, TWE180*3*****0, TWE180*4*****A/B, TWE240*4 (STD, VFD, & OS MTR), TWE300*4 (STD & VFD)
BAYHTRM450* — 49.84 kW Heater 460/3 Phase <sup>(a)</sup>	TWE150*3*****0, TWE150*4*****A/B, TWE180*3*****0, TWE180*4*****A/B, TWE240*4 (STD, VFD, & OS MTR), TWE300*4 (STD & VFD)
BAYHTRMW10* — 10.0 kW Heater 575/3 Phase	TWE150*W, TWE180*W, TWE240*W, TWE300*W (STD, VFD, & OS MTR)
BAYHTRMW20* — 19.92 kW Heater 575/3 Phase	TWE150*W, TWE180*W, TWE240*W, TWE300*W (STD, VFD, & OS MTR)
BAYHTRMW30* — 29.92 kW Heater 575/3 Phase	TWE150*W, TWE180*W, TWE240*W, TWE300*W (STD, VFD, & OS MTR)
BAYHTRMW50* — 49.84 kW Heater 575/3 Phase	TWE150*W, TWE180*W, TWE240*W, TWE300*W (STD, VFD, & OS MTR)

**Note:** Electric Heaters not available for 380/60hz

<sup>(a)</sup> BAYHTRL4 & BAYHTRM4\* heaters are available for 230V units that have been field-converted to 460V.



## Application Considerations

Application of this product should be within the cataloged airflow and performance considerations.

### Clearance Requirements

The recommended clearances identified with unit dimensions should be maintained to assure adequate serviceability, maximum capacity and peak operating efficiency. Actual clearances which appear inadequate should be reviewed with the local representative.

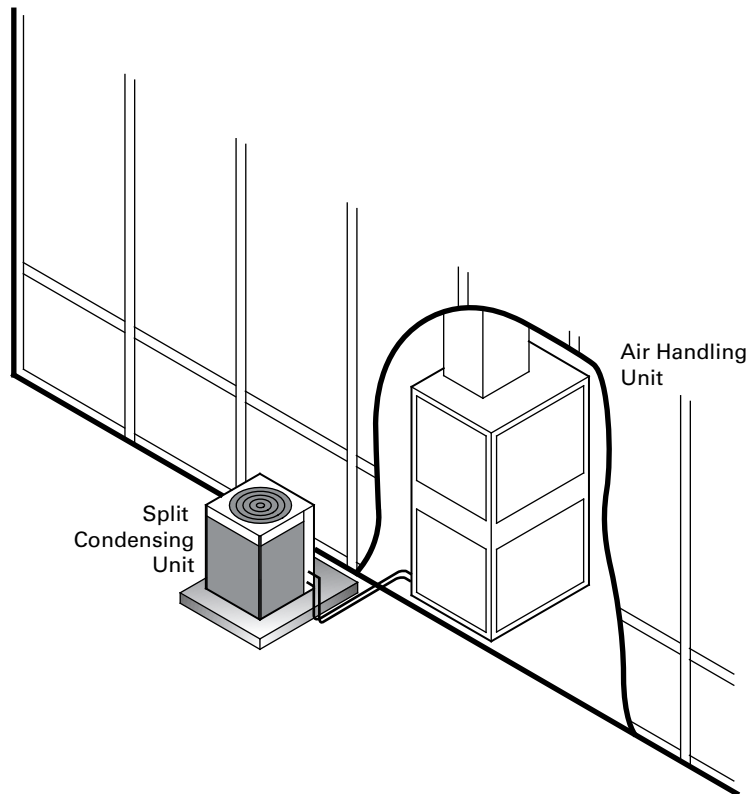
### 180° Blower Rotation

The 5, 6, 7.5, and 10 ton standard air handler blower section can be rotated 180° to change the discharge pattern. This modification must be done in the field and requires an additional kit. See unit installation guide.

### Low Ambient Cooling

As manufactured, electromechanical units can operate to 50°F in the cooling mode of operation. An accessory head pressure control will allow operation to 0°F outdoor ambient. When using these units with control systems such as bypass changeover Variable Air Volume, make sure to consider the requirement for a head pressure control to allow low ambient cooling.

**Figure 5. Typical split system application**



## Application Considerations

Figure 6. Typical horizontal air handler application

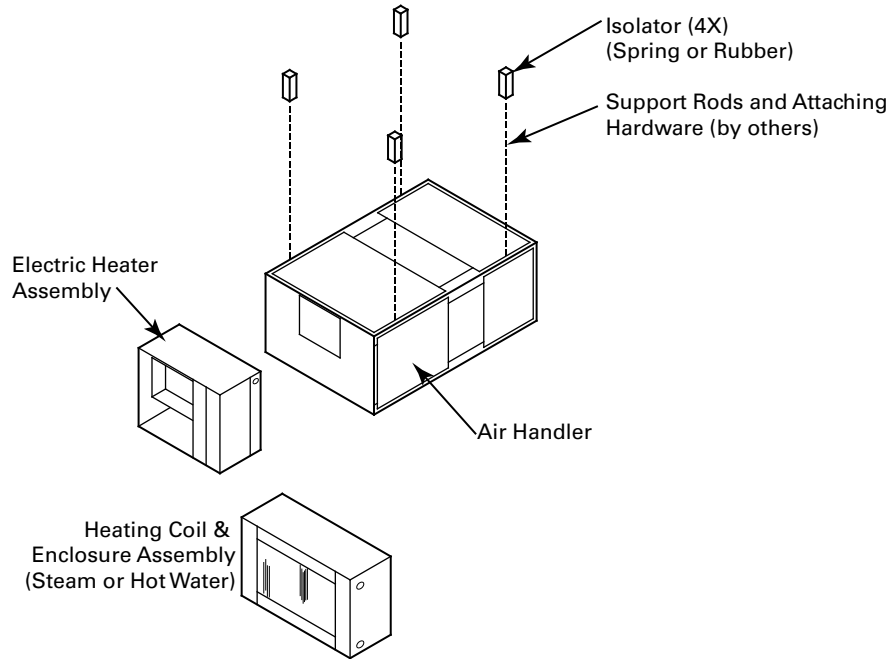
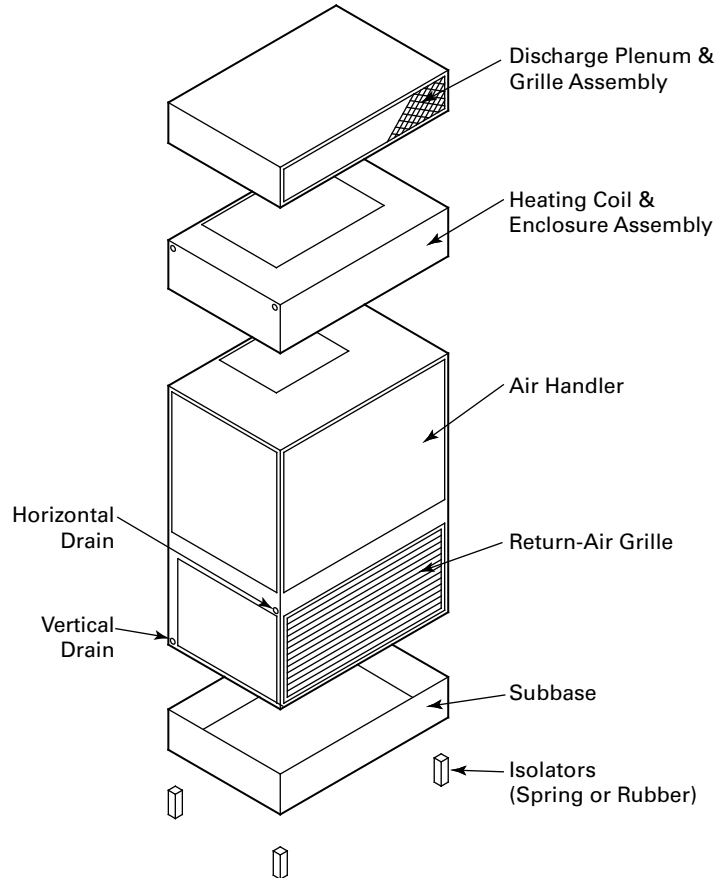


Figure 7. Typical vertical air handler application



## Selection Procedure

### Cooling Capacity

1. Calculate the building's total and sensible cooling loads at design conditions, using standardized calculation methods.
2. Size the equipment using the gross cooling capacity tables. Match the cooling loads at design conditions. For example, if the following specifies the building cooling requirements:  
Electrical Characteristics: 460/60/3  
Summer Design Conditions: Entering Evap Coil—80°F DB/67°F WB , Outdoor Ambient—95°F  
Total Cooling Load: 86 MBh  
Sensible Cooling Load: 60 MBh  
Airflow: 3000 cfm  
External Static Pressure: 0.77 inches of water gauge
3. Use to determine that TTA09043A with TWE09043A has a gross cooling capacity of 93.5 MBh and 73.0 MBh sensible capacity at 95°F DB ambient and 3000 cfm with 80°F DB/67° F WB air entering the evaporator.
4. To find the net cooling capacities, fan motor heat must be subtracted. Determine the total unit static pressure:  
External Static Duct System: 0.77  
Standard Filter: 0.10 in.  
Supplementary Electric Heat: 0.23 in.  
Total Static Pressure: 1.10 in.

**Notes:**

- *The Evaporator Fan Performance Table has included the effect of a 1 in. filter already. Therefore, the actual Total Static Pressure is 1.10 - 0.10 = 1.00 in. . With 3000 cfm and 1.00 in., Table 52, p. 68 shows 1.97 Bhp (high static drive kit required).*
- *This formula can be used to calculate Fan Motor Heat:*  
 $3.15 \times \text{Bhp} = \text{MBh}$   
 $3.15 \times 1.97 = 6.2 \text{ MBh}$   
 $\text{Net Total Cooling Capacity} = 93.5 \text{ MBh} - 6.2 \text{ MBh} = 87.3 \text{ MBh}$   
 $\text{Net Sensible Cooling Capacity} = 73.0 \text{ MBh} - 6.2 \text{ MBh} = 66.8 \text{ MBh}$

### Heating Capacity

1. Calculate the building heating load using the standard accepted method.
2. Size the equipment using to match the heating loads at design conditions. For example, if the following specifies the building heating requirements:  
Total Heating Load: 97.0 MBh  
Airflow: 2625 cfm  
Supplementary Electric Heaters
3. Use to determine that the 34.88 kW heater has a capacity of 119,045 Btuh.
4. From the Electrical Characteristics table [Table 81, p. 103](#), the 34.88 kW heater at 460V indicates the heater model is BAYHTRL435A.

## Selection Procedure

---

### Air Delivery

1. The external static pressure drop through the air distribution system is 0.77 inches of water gauge, use to determine that the static pressure drop through the electric heater is 0.23 inches of water ( $0.77 + 0.23 = 1.00$  in.).
2. Enter [Table 52, p. 68](#) for TWE09043A at 2625 cfm and 1.00 static pressure. The high static motor at 995 RPM gives the desired airflow.

# Model Number Description

## Cooling Condenser

### Digit 1-3 — Unit Function

TTA = Split System Cooling

### Digit 4-6 — Tonnage

072 = 6 Tons (60Hz)  
090 = 7.5 Tons (60Hz)  
120 = 10 Tons (60Hz)  
150 = 12.5 Tons (60Hz)  
180 = 15 Tons (60Hz)  
240 = 20 Tons (60Hz)  
300 = 25 Tons (60Hz)

### Digit 7 — Refrigerant

4 = R-410A

### Digit 8 — Voltage

3 = 208-230VAC - 3 PH (60Hz)  
4 = 460VAC - 3 PH (60Hz)  
W = 575VAC - 3 PH (60Hz)  
K = 380VAC - 3 PH (60Hz)

### Digit 9 — Refrigeration Circuit/Stage

A = 1 Compressor/1 Line/1 Stage (Single)  
C = 2 Compressors/1 Line/2 Stage (Manifold)  
D = 2 Compressors/2 Line/2 Stage (Duals)

### Digit 10 — Major Design Sequence

A = Rev A

### Digit 11 — Minor Design Sequence

B = Rev B

### Digit 12-13 — Service Digits

00 = 00

### Digit 14 — Efficiency Generation

A = Generation A

### Digit 15 — Controls

E = Electromechanical  
R = ReliaTel™

### Digit 16 — None

0 = None

### Digit 17 — Coil Protection

0 = Standard Coil  
1 = Standard Coil w/ Hail Guard  
4 = Complete Coat Condenser Coil (MCHE)  
5 = Complete Coat Condenser Coil with Hail Guard (MCHE)

### Digit 18-20 — None

0 = None

### Digit 21 — Communications Options

0 = No Option  
2 = LonTalk® Communications Interface (LCI)

### Digit 22-40 — None

0 = None

## Model Number Description

---

### Air Handler

#### Digit 1–3 — Unit Function

**TWE** = Air Handler

#### Digit 4–6 — Tonnage

**060** = 5 Tons (60Hz)  
**072** = 6 Tons (60Hz)  
**090** = 7.5 Tons (60Hz)  
**120** = 10 Tons (60Hz)  
**150** = 12.5 Tons (60Hz)  
**180** = 15 Tons (60Hz)  
**240** = 20 Tons (60Hz)  
**300** = 25 Tons (60Hz)

#### Digit 7 — Refrigerant

**4** = R-410A

#### Digit 8 — Voltage

**1** = 208-230VAC - 1 PH (60Hz)  
**3** = 208-230VAC - 3 PH (60Hz)  
**4** = 460VAC - 3 PH (60Hz)  
**W** = 575VAC - 3 PH (60Hz)  
**K** = 380VAC - 3 PH (60Hz)

#### Digit 9 — Refrigeration Circuit/Stage

**A** = Single Circuit  
**B** = Dual Circuit

#### Digit 10 — Major Design Sequence

**A** = Rev A

#### Digit 11 — Minor Design Sequence

**A** = Rev A

#### Digit 12–13 — Service Digits

**00** = 00

#### Digit 14 — Efficiency Generation

**A** = Generation A (2018 DOE)

#### Digit 15 — Controls

**0** = Constant Volume  
**A** = 2 Stage Airflow (Electromechanical Cond Only)  
**B** = Single Zone VAV (ReliaTel Cond Only)

#### Digit 16 — Indoor Fan Sizes

**0** = Standard Motor  
**4** = High Static - (Oversized Motor for VFD Units)

#### Digit 17–40 — None

**0** = None

## General Data

**Table 6. General data – 6-7.5 tons (TTA0724\*A\*-TTA0904\*D\*) condensing units – 60 Hz**

	<b>6 Tons</b>	<b>6 Tons</b>	<b>7.5 Tons</b>	<b>7.5 Tons</b>
	<b>Single Compressor</b>	<b>Dual Compressor</b>	<b>Single Compressor</b>	<b>Dual Compressor</b>
	<b>TTA0724*A*</b>	<b>TTA0724*D*</b>	<b>TTA0904*A*</b>	<b>TTA0904*D*</b>
<b>Cooling Performance - Gross Cooling Capacity</b>				
Matched Air Handler	TWE0904*A*	TWE0724*B*	TWE0904*A*	TWE0904*B*
AHRI Rated Airflow	2,400	2,400	2,625	2,625
Gross Cooling Capacity - System	78,000	76,000	96,000	92,000
Condensing Unit Only	69,000	68,000	91,000	88,000
AHRI Net Cooling Capacity	76,000	75,000	94,000	91,000
<b>Efficiency</b>				
Matched Air Handler (EER)	11.5	11.4	11.5	11.4
Condensing Unit Only (EER)	13.6	12.0	12.5	12.8
System (IEER)	13.1	12.9	13.0	12.9
System kW/Condensing Unit kW	5.7 / 5.1	5.9 / 5.6	8.2 / 7.3	7.4 / 6.9
<b>Compressor</b>				
Type	Scroll	Scroll	Scroll	Scroll
No./Tons	1 / 5.1	2 / 2.4	1 / 6.9	2 / 3.3
<b>System Data</b>				
No. Refrigerant Circuits <sup>(a)</sup>	1	2	1	2
Suction Line (in.) OD <sup>(a)</sup>	1 1/8	7/8	1 3/8	1 1/8
Liquid Line (in.) OD <sup>(a)</sup>	1/2	1/2	1/2	1/2
<b>Outdoor Coil</b>				
Type	MCHE	MCHE	MCHE	MCHE
Tube Size OD/Coil Width MCHE (in.)	0.8	0.8	0.8	0.8
Face Area (sq ft)	18.5	17.4	18.5	17.4
Rows/FPI (Fins per inch)	1/23	1/23	1/23	1/23
<b>Outdoor Fan</b>				
Type	Propeller	Propeller	Propeller	Propeller
No. Used/Diameter (in.)	1/26	1/26	1/26	1/26
Drive Type/No. Speeds	Direct/1	Direct/1	Direct/1	Direct/1
CFM	5,100	5,100	5,100	5,100
No. Motor/HP	1/0.5	1/0.5	1/0.5	1/0.5
Motor RPM	1,100	1,100	1,100	1,100
<b>Refrigerant Charge (Field Supplied)</b>				
lbs of R-410A	10.0	7.0 / 7.0	9.7	7.3 / 7.3
<b>Shipping Dimensions</b>				
HxWxD (in.)	45" x 45" x 38"	45" x 45" x 38"	45" x 45" x 38"	45" x 45" x 38"

**Notes:**

1. 6 - 10 ton and 20 - 25 ton condensing units are tested in accordance with AHRI Standard 365.
2. 12.5 and 15 ton condensing units are AHRI Certified to AHRI Standard 365.
3. 6 - 20 ton units are AHRI Certified to AHRI Standard 340-360 (I-P)-2007. Rating conditions are 95°F outdoor air temperature, 80°F entering dry bulb, 67°F entering wet bulb with 25ft of interconnecting refrigerant piping with minimum external static pressure as determined by rating standard.
4. 25 ton units are tested in accordance with AHRI Standard 340-360.

<sup>(a)</sup> Refer to refrigerant piping applications manual for line sizing and line length.

## General Data

**Table 7. General data — 10-12.5 tons (TTA1204\*A\*-TTA1504\*D\*) condensing units — 60 Hz**

	10 Tons	10 Tons	10 Tons	12.5 Tons
	Single Compressor TTA1204*A*	Dual Compressor TTA1204*D*	Manifolded Compressor TTA1204*C*	Dual Compressor TTA1504*D*
<b>Cooling Performance - Gross Cooling Capacity</b>				
Matched Air Handler	TWE1204*A*	TWE1204*B*	TWE1204*A*	TWE1504*B*
AHRI Rated Airflow	3,800	4,000	4,000	4,625
Gross Cooling Capacity - System	127,000	119,000	126,000	150,000
Condensing Unit Only	118,000	110,000	116,000	150,000
AHRI Net Cooling Capacity	123,000	116,000	122,000	150,000
<b>Efficiency</b>				
Matched Air Handler (EER)	11.5	11.4	11.3	11.2
Condensing Unit Only (EER)	12.9	12.7	12.5	12.0
System (IEER)	13.1	12.9	13.3	12.4
System kW/Condensing Unit kW	10.3 / 9.1	9.9 / 9.2	10.3 / 9.3	12.9 / 12.4
<b>Compressor</b>				
Type	Scroll	Scroll	Manifolded Scrolls	Scroll
No./Tons	1 / 8.6	2 / 4.3	2 / 4.3	2 / 5.6
<b>System Data</b>				
No. Refrigerant Circuits <sup>(a)</sup>	1	2	1	2
Suction Line (in.) OD <sup>(a)</sup>	1 3/8	1 1/8	1 3/8	1 1/8
Liquid Line (in.) OD <sup>(a)</sup>	1/2	1/2	1/2	1/2
<b>Outdoor Coil</b>				
Type	MCHE	MCHE	MCHE	MCHE
Tube Size OD/Coil Width MCHE (in.)	0.8	0.8	0.8	1.0
Face Area (sq ft)	23.8	22.7	23.8	27.0
Rows/FPI (Fins per inch)	1/23	1/23	1/23	1/23
<b>Outdoor Fan</b>				
Type	Propeller	Propeller	Propeller	Propeller
No. Used/Diameter (in.)	1/28	1/28	1/28	1/28
Drive Type/No. Speeds	Direct/1	Direct/1	Direct/1	Direct/1
CFM	7,800	7,800	7,800	7,800
No. Motor/HP	1/1	1/1	1/1	1/1
Motor RPM	1,100	1,100	1,100	1,100
<b>Refrigerant Charge (Field Supplied)</b>				
lbs of R-410A	13.6	8.2 / 8.4	13.1	9.8 / 9.8
<b>Shipping Dimensions</b>				
HxWxD (in.)	45" x 55" x 42"	45" x 55" x 42"	45" x 55" x 42"	52.1" x 55" x 42"

**Notes:**

1. 6 - 10 ton and 20 - 25 ton condensing units are tested in accordance with AHRI Standard 365.
2. 12.5 and 15 ton condensing units are AHRI Certified to AHRI Standard 365.
3. 6 - 20 ton units are AHRI Certified to AHRI Standard 340-360 (I-P)-2007. Rating conditions are 95°F outdoor air temperature, 80°F entering dry bulb, 67°F entering wet bulb with 25ft of interconnecting refrigerant piping with minimum external static pressure as determined by rating standard.
4. 25 ton units are tested in accordance with AHRI Standard 340-360.

<sup>(a)</sup> Refer to refrigerant piping applications manual for line sizing and line length.



Table 8. General data — 15-25 tons (TTA1804\*D\*-TTA3004\*C\*) condensing units — 60 Hz

	15 Tons Dual Compressor TTA1804*D*	15 Tons Manifolded Compressor TTA1804*C*	20 Tons Dual Compressor TTA2404*D*	20 Tons Manifolded Compressor TTA2404*C*	25 Ton Manifolded Compressor TTA3004*C*
<b>Cooling Performance - Gross Cooling Capacity</b>					
Matched Air Handler	TWE1804*B*	TWE1804*B*	TWE2404*B*	TWE2404*B*	TWE3004*B*
AHRI Rated Airflow	5,550	6,000	8,000	8,000	8,750
Gross Cooling Capacity - System	192,000	188,000	248,000	258,000	306,000
Condensing Unit Only	186,000	182,000	250,000	272,000	318,000
AHRI Net Cooling Capacity	186,000	184,000	244,000	250,000	296,000
<b>Efficiency</b>					
Matched Air Handler (EER)	11.2	11.1	10.2	10.1	10.1
Condensing Unit Only (EER)	12.7	12.8	12.5	12.1	11.7
System (IEER)	12.4	12.8	11.6	12.0	12.0
System kW/Condensing Unit kW	16.3 / 14.7	15.6 / 14	21.8 / 20	24.1 / 22.6	29.3 / 27.2
<b>Compressor</b>					
Type	Scroll	Manifolded Scrolls	Scroll	Manifolded Scroll	Manifolded Scrolls
No./Tons	2 / 6.9	1/5.6, 1/7.6	1/8.7, 1/10.2	2 / 10.0	2 / 12.0
<b>System Data</b>					
No. Refrigerant Circuits <sup>(a)</sup>	2	1	2	1	1
Suction Line (in.) OD <sup>(a)</sup>	1 3/8	1 5/8	1 3/8	1 5/8	2 1/8
Liquid Line (in.) OD <sup>(a)</sup>	1/2	5/8	1/2	5/8	5/8
<b>Outdoor Coil</b>					
Type	MCHE	MCHE	MCHE	MCHE	MCHE
Tube Size OD/Coil Width MCHE (in.)	0.8	0.8	0.8	0.8	1.0
Face Area (sq ft)	44.3	44.3	44.3	44.3	51.3
Rows/FPI (Fins per inch)	1/23	1/23	1/23	1/23	1/23
<b>Outdoor Fan</b>					
Type	Propeller	Propeller	Propeller	Propeller	Propeller
No. Used/Diameter (in.)	2/28	2/28	2/28	2/28	2/28
Drive Type/No. Speeds	Direct/1	Direct/1	Direct/1	Direct/1	Direct/1
CFM	15,500	15,500	15,500	15,500	15,500
No. Motor/HP	2/1	2/1	2/1	2/1	2/1
Motor RPM	1,100	1,100	1,100	1,100	1,100
<b>Refrigerant Charge (Field Supplied)</b>					
lbs of R-410A	11.5 / 11.5	22.5	11.2 / 11.2	23.8	29.8
<b>Shipping Dimensions</b>					
HxWxD (in.)	51.1" x 96" x 48"	51.1" x 96" x 48"	51.1" x 96" x 48"	51.1" x 96" x 48"	57.1" x 96" x 48"

Notes:

1. 6 - 10 ton and 20 - 25 ton condensing units are tested in accordance with AHRI Standard 365.
2. 12.5 and 15 ton condensing units are AHRI Certified to AHRI Standard 365.
3. 6 - 20 ton units are AHRI Certified to AHRI Standard 340-360 (I-P)-2007. Rating conditions are 95°F outdoor air temperature, 80°F entering dry bulb, 67°F entering wet bulb with 25ft of interconnecting refrigerant piping with minimum external static pressure as determined by rating standard.
4. 25 ton units are tested in accordance with AHRI Standard 340-360.

<sup>(a)</sup> Refer to refrigerant piping applications manual for line sizing and line length.

General Data

Table 9. General data — 5-7.5 tons (TWE0604\*A\* - TWE0904\*B\*) standard air handler — 60 Hz

	5 Tons	6 Tons	7.5 Tons	7.5 Tons
System Data	Single Circuit TWE0604*A*	Dual Circuit TWE0724*B*	Single Circuit TWE0904*A*	Dual Circuit TWE0904*B*
No. Refrigerant Circuits	1	2	1	2
Suction Line Connection (in.) OD	1-1/8	1-1/8	1-3/8	1-1/8
Liquid Line Connection (in.) OD	1/2	1/2	1/2	1/2
<b>Indoor Coil</b>				
Type	Lanced/Intertwined	Lanced/Intertwined	Lanced/Intertwined	Lanced/Intertwined
Tube Size (in.)	0.375	0.375	0.375	0.375
Face Area (sq. ft.)	5	5	8.1	8.1
Rows/FPI (Fins per inch)	4/14	4/14	4/14	4/14
Refrigerant Control	Expansion Valve	Expansion Valve	Expansion Valve	Expansion Valve
Drain Connection Size (in.)	1 PVC	1 PVC	1 PVC	1 PVC
<b>Indoor Fan</b>				
Type	Centrifugal	Centrifugal	Centrifugal	Centrifugal
No. Used/Diameter x Width (in.)	1/12 x 12	1/12 x 12	1/15 x 15	1/15 x 15
Drive Type/No. Speeds	Belt/Adjustable	Belt/Adjustable	Belt/Adjustable	Belt/Adjustable
CFM (Nominal)	2,000	2,000	3,000	3,000
No. Motors	1	1	1	1
Motor HP - Standard/Oversized	0.75/1.5	0.75/1.5	1.5/2.0/3.0	1.5/2.0/3.0
Motor RPM	1725	1725	1725	1725
Motor Frame Size	56	56	56 H	56 H
<b>Filters<sup>(a)</sup></b>				
Type/Furnished	Throwaway/Yes	Throwaway/Yes	Throwaway/Yes	Throwaway/Yes
(No.)/Size Recommended	(1) 16 x 20 x 1 (1) 20 x 20 x 1	(1) 16 x 20 x 1 (1) 20 x 20 x 1	(3) 16 X 25 X 1	(3) 16 X 25 X 1
<b>Shipping Dimensions</b>				
HxWxD (in.)	55.1" x 27.5" x 43.5"	55.1" x 27.5" x 43.5"	61.2" x 30.5" x 53"	61.2" x 30.5" x 53"

**Note:** Oversized motor not available on 41A/B and 4KA/B models.

<sup>(a)</sup> One inch, throw-away filters shall be standard on TWE060, TWE090, TWE120 model air handlers from the factory. The filter rack can be field converted to two inch capability. Two inch, throw-away filters shall be standard on TWE1804\*B and TWE2404\*B models.

Table 10. General data — 10-25 tons (TWE1204\*A\*-TWE3004\*B\*) standard air handler — 60 Hz

	10 Tons	10 Tons	12.5 Tons	15 Tons	20 Tons	25 Tons
System Data	Single Circuit TWE1204*A*	Dual Circuit TWE1204*B*	Dual Circuit TWE1504*B*	Dual Circuit TWE1804*B*	Dual Circuit TWE2404*B*	Dual Circuit TWE3004*B*
No. Refrigerant Circuits	1	2	2	2	2	2
Suction Line Connection (in.) OD	1-3/8	1-1/8	1-3/8	1-3/8	1-3/8	1-3/8
Liquid Line Connection (in.) OD	1/2	1/2	1/2	1/2	1/2	5/8
<b>Indoor Coil</b>						
Type	Lanced/Intertwined	Lanced/Intertwined	Lanced/Intertwined	Lanced/Intertwined	Lanced/Intertwined	Lanced/Face Split
Tube Size (in.)	0.375	0.375	0.375	0.375	0.375	0.375
Face Area (sq. ft.)	11.2	11.2	16.3	16.3	21.7	21.7
Rows/FPI (Fins per inch)	4/14	4/14	4/14	4/14	3/14	4/14
Refrigerant Control	Expansion Valve	Expansion Valve	Expansion Valve	Expansion Valve	Expansion Valve	Expansion Valve
Drain Connection Size (in.)	1 PVC	1 PVC	1 PVC	1 PVC	1 PVC	1 PVC
<b>Indoor Fan</b>						
Type	Centrifugal	Centrifugal	Centrifugal	Centrifugal	Centrifugal	Centrifugal
No. Used/Diameter x Width (in.)	1/15 x 15	1/15 x 15	2/15 x 15	2/15 x 15	2/15 x 15	2/15 x 15
Drive Type/No. Speeds	Belt/Adjustable	Belt/Adjustable	Belt/Adjustable	Belt/Adjustable	Belt/Adjustable	Belt/Adjustable
CFM (Nominal)	4,000	4,000	5,000	6,000	8,000	10,000
No. Motors	1	1	1	1	1	1
Motor HP - Standard/Oversized	2.0/3.0	2.0/3.0	2.0/3.0/5.0	3.0/5.0	3.0/5.0/7.5	7.5
Motor RPM	1725	1725	1755	1,728/1,750	1,750/3,470	3490
Motor Frame Size	56 Hz	56 Hz	145T	56 Hz	184T	184T
<b>Filters<sup>(a)</sup></b>						
Type/Furnished	Throwaway/Yes	Throwaway/Yes	Throwaway/Yes	Throwaway/Yes	Throwaway/Yes	Throwaway/Yes
(No.)/Size Recommended	(4) 16 X 25 X 1	(4) 16 X 25 X 1	(8) 15 X 20 X 2	(8) 15 X 20 X 2	(4) 16 X 25 X 2 (4) 16 X 20 X 2	(4) 16 X 25 X 2 (4) 16 X 20 X 2
<b>Shipping Dimensions</b>						
HxWxD (in.)	61.2" x 30.5" x 69"	61.2" x 30.5" x 69"	76.3" x 33.3" x 85"	76.3" x 33.3" x 85"	79.1" x 35.8" x 95"	79.1" x 35.8" x 95"

**Note:** Oversized motor not available on 41A/B and 4KA/B models.

<sup>(a)</sup> One inch, throw-away filters shall be standard on TWE060, TWE072, TWE090, TWE120 model air handlers from the factory. The filter rack can be field converted to two inch capability. Two inch, throw-away filters shall be standard on TWE1804\*B and TWE2404\*B models.

## General Data

**Table 11. General data — 6-10 tons (TWE072\*\*\*\*\* - TWE120\*\*\*\*\*) SZVAV and 2-speed VFD air handler — 60 Hz**

	<b>6 Tons</b>	<b>7.5 Tons</b>	<b>10 Tons</b>	<b>10 Tons</b>
	<b>Dual Circuit TWE07243B*, 4B*, WB*</b>	<b>Dual Circuit TWE09043B*, 4B*, WB*</b>	<b>Single Circuit TWE12043A*, 4A*, WA*</b>	<b>Dual Circuit TWE12043B*, 4B*, WB*</b>
<b>Indoor Fan</b>				
Type	Centrifugal	Centrifugal	Centrifugal	Centrifugal
No. Used/Diameter x Width (in.)	1/15 x 15	1/15 x 15	1/15 x 15	1/15 x 15
Drive Type/No. Speeds	Belt/VFD Variable	Belt/VFD Variable	Belt/VFD Variable	Belt/VFD Variable
CFM (Nominal)	2,400	3,000	4,000	4,000
No. Motors	1	1	1	1
Motor HP - Standard/Oversized	2.0/3.0	2.0/3.0	2.0/3.0	2.0/3.0
Motor RPM	1725	1725	1725	1725
Motor Frame Size	56HZ	56HZ	56HZ	56HZ

**Table 12. General data — 12.5-25 tons (TWE150\*\*\*\*\* - TWE300\*\*\*\*\*) SZVAV and 2-speed VFD air handler — 60 Hz**

	<b>12.5 Tons</b>	<b>15 Tons</b>	<b>20 Tons</b>	<b>25 Tons</b>
	<b>Dual Circuit, TWE15043B*, 4B*, WB*</b>	<b>Dual Circuit, TWE18043B*, 4B*, WB*</b>	<b>Dual Circuit, TWE24043B*, 4B*, WB*</b>	<b>Dual Circuit, TWE30043B*, 4B*, WB*</b>
<b>Indoor Fan</b>				
Type	Centrifugal	Centrifugal	Centrifugal	Centrifugal
No. Used/Diameter x Width (in.)	2/15 x 15	2/15 x 15	2/15 x 15	2/15 x 15
Drive Type/No. Speeds	Belt/VFD Variable	Belt/VFD Variable	Belt/VFD Variable	Belt/VFD Variable
CFM (Nominal)	5,000	6,000	8,000	10,000
No. Motors	1	1	1	1
Motor HP - Standard/Oversized	2.0/5.0	3.0/5.0	5.0/7.5	7.5 <sup>(a)</sup>
Motor RPM	1755/3450	1725/3450	3450/3470	3470
Motor Frame Size	56HZ	56HZ	56HZ/184T	184T

<sup>(a)</sup> Standard motor only

# Performance Data

## Gross Cooling Capacities

**Table 13. Gross cooling capacities (MBH) 6 tons TTA0724\*A condensing unit with 7.5 tons TWE0904\*A standard air handler (IP)**

CFM	Ent DB (°F)	Ambient Temperature (°F)						Ambient Temperature (°F)						Ambient Temperature (°F)					
		85						95						105					
		Entering Wet Bulb (°F)						Entering Wet Bulb (°F)						Entering Wet Bulb (°F)					
		61		67		73		61		67		73		61		67		73	
		MBH	SHC	MBH	SHC	MBH	SHC	MBH	SHC	MBH	SHC	MBH	SHC	MBH	SHC	MBH	SHC	MBH	SHC
2160	75	73.2	62.3	80.0	47.7	87.1	32.2	70.2	60.9	76.8	46.4	83.6	31.0	67.1	59.4	73.4	45.0	79.9	29.7
	80	74.1	74.1	80.1	59.4	86.8	44.1	71.5	71.5	76.8	58.0	83.4	42.9	68.8	68.8	73.4	56.6	79.7	41.5
	85	77.8	77.8	80.4	70.9	86.7	55.9	75.2	75.2	77.2	69.6	83.2	54.7	72.4	72.4	73.8	68.1	79.5	53.4
	90	81.5	81.5	81.6	81.6	86.7	67.5	78.7	78.7	78.8	78.8	83.3	66.2	75.8	75.8	75.9	75.9	79.6	64.8
2400	75	74.5	66.0	81.2	49.9	88.0	32.8	71.5	64.5	77.9	48.6	84.5	31.5	68.4	63.0	74.3	47.2	80.7	30.2
	80	76.4	76.4	81.3	62.7	87.8	45.9	73.8	73.8	78.0	61.3	84.3	44.7	70.9	70.9	74.5	59.9	80.5	43.4
	85	80.3	80.3	81.7	75.6	87.7	59.1	77.5	77.5	78.5	74.2	84.1	57.8	74.5	74.5	75.1	72.8	80.4	56.3
	90	83.9	83.9	84.0	84.0	87.8	71.8	81.0	81.0	81.1	81.1	84.2	70.4	77.9	77.9	78.0	78.0	80.5	69.1
2640	75	75.7	69.6	82.1	52.0	88.8	33.3	72.7	68.2	78.7	50.7	85.3	32.1	69.5	66.7	75.1	49.3	81.4	30.8
	80	78.4	78.4	82.2	66.0	88.6	47.8	75.7	75.7	78.9	64.6	85.0	46.5	72.7	72.7	75.4	63.1	81.1	45.2
	85	82.3	82.3	83.0	80.2	88.5	62.2	79.4	79.4	79.8	78.8	84.9	60.6	76.3	76.3	76.4	76.4	81.1	59.2
	90	85.9	85.9	86.0	86.0	88.6	76.0	82.9	82.9	83.0	83.0	85.1	74.7	79.7	79.7	79.8	79.8	81.3	73.3
2880	75	76.8	73.2	82.8	54.1	89.5	33.8	73.7	71.8	79.4	52.8	85.9	32.6	70.5	70.3	75.8	51.4	82.0	31.3
	80	80.2	80.2	83.1	69.2	89.2	49.6	77.3	77.3	79.7	67.8	85.6	48.3	74.2	74.2	76.1	66.4	81.7	47.0
	85	84.0	84.0	84.2	84.2	89.1	64.9	81.0	81.0	81.1	81.1	85.5	63.5	77.8	77.8	77.9	77.9	81.6	62.1
	90	87.6	87.6	87.7	87.7	89.4	80.2	84.5	84.5	84.6	84.6	85.8	78.9	81.1	81.1	81.2	81.2	82.0	77.5
CFM	Ent DB (°F)	Ambient Temperature (°F)						Ambient Temperature (°F)											
		115						125											
		Entering Wet Bulb (°F)						Entering Wet Bulb (°F)											
		61		67		73		61		67		73							
		MBH	SHC	MBH	SHC	MBH	SHC	MBH	SHC	MBH	SHC	MBH	SHC						
2160	75	63.9	57.8	69.8	43.6	75.9	28.3	60.5	56.2	65.9	42.0	71.6	26.8						
	80	66.0	66.0	69.8	55.0	75.7	40.2	62.9	62.9	66.0	53.4	71.4	38.7						
	85	69.4	69.4	70.3	66.6	75.6	52.0	66.1	66.1	66.5	65.0	71.3	50.3						
	90	72.6	72.6	72.7	72.7	75.7	63.3	69.1	69.1	69.2	69.2	71.4	61.7						
2400	75	65.0	61.5	70.6	45.7	76.7	28.9	61.6	59.9	66.6	44.2	72.3	27.4						
	80	67.9	67.9	70.8	58.3	76.5	42.0	64.6	64.6	66.8	56.7	72.1	40.5						
	85	71.3	71.3	71.6	71.3	76.4	54.8	67.9	67.9	67.9	67.9	72.0	53.2						
	90	74.6	74.6	74.7	74.7	76.5	67.6	70.9	70.9	71.0	71.0	72.1	66.0						
2640	75	66.1	65.1	71.3	47.9	77.3	29.4	62.7	62.7	67.3	46.0	72.8	27.9						
	80	69.5	69.5	71.6	61.6	77.1	43.8	66.1	66.1	67.6	59.9	72.6	42.3						
	85	73.0	73.0	73.1	73.1	77.0	57.7	69.3	69.3	69.4	69.4	72.5	56.1						
	90	76.2	76.2	76.2	76.2	77.3	71.8	72.3	72.3	72.3	72.3	72.9	70.2						
2880	75	67.2	67.2	71.9	50.0	77.8	29.9	63.9	63.9	67.8	47.9	73.3	28.4						
	80	70.9	70.9	72.3	64.8	77.6	45.7	67.3	67.3	68.3	63.1	73.0	44.2						
	85	74.4	74.4	74.4	74.4	77.5	60.6	70.6	70.6	70.6	70.6	73.0	59.0						
	90	77.5	77.5	77.5	77.5	77.9	76.0	73.4	73.4	73.5	73.5	73.6	73.6						

**Notes:**

1. All capacities shown are gross and have not considered indoor fan heat. To obtain net cooling, subtract indoor fan heat.
2. MBH = Total Gross Capacity, SHC = Sensible Heat Capacity

**Performance Data**

**Table 14. Gross cooling capacities (MBH) 6 tons TTA0724\*D condensing unit with 6 tons TWE0724\*B standard/ SZVAV/2- speed VFD air handler (IP)**

CFM	Ent DB (°F)	Ambient Temperature (°F)						Ambient Temperature (°F)						Ambient Temperature (°F)					
		85						95						105					
		Entering Wet Bulb (°F)						Entering Wet Bulb (°F)						Entering Wet Bulb (°F)					
		61		67		73		61		67		73		61		67		73	
		MBH	SHC	MBH	SHC	MBH	SHC	MBH	SHC	MBH	SHC	MBH	SHC	MBH	SHC	MBH	SHC	MBH	SHC
2160	75	71.3	61.3	79.4	47.3	88.4	32.7	68.0	59.8	75.7	45.8	84.5	31.3	64.7	58.2	72.0	44.3	80.4	29.9
	80	72.3	72.3	79.3	59.0	88.3	44.5	69.6	69.6	75.6	57.5	84.3	43.1	66.7	66.7	71.9	55.9	80.3	41.6
	85	76.5	76.5	79.6	70.5	88.1	56.2	73.7	73.7	75.9	68.9	84.1	54.8	70.7	70.7	72.3	67.4	80.1	53.4
	90	80.8	80.8	81.0	81.0	88.1	67.9	77.9	77.9	78.1	78.1	84.1	66.4	74.8	74.8	74.9	74.9	80.2	64.9
2400	75	72.7	65.0	80.8	49.5	89.8	33.3	69.4	63.5	76.9	48.0	85.7	31.9	65.9	61.9	73.1	46.5	81.5	30.5
	80	74.9	74.9	80.7	62.3	89.6	46.4	72.0	72.0	77.0	60.8	85.5	44.9	69.0	69.0	73.1	59.2	81.0	43.4
	85	79.3	79.3	81.2	75.1	89.5	59.4	76.3	76.3	77.6	73.6	85.4	57.9	73.2	73.2	73.8	72.1	80.8	56.3
	90	83.8	83.8	83.9	83.9	89.6	72.2	80.7	80.7	80.9	80.9	85.6	70.7	77.3	77.3	77.7	77.7	81.0	69.1
2640	75	74.0	68.6	81.9	51.6	90.5	33.8	70.6	67.1	78.1	50.1	86.7	32.5	67.1	65.2	74.0	48.6	81.9	30.9
	80	77.1	77.1	82.0	65.7	90.3	48.1	74.1	74.1	78.1	64.1	86.6	46.8	70.9	70.9	74.1	62.5	81.9	45.2
	85	81.7	81.7	82.7	79.8	90.2	62.3	78.6	78.6	79.1	78.3	86.4	61.0	75.2	75.2	75.4	75.4	81.8	59.3
	90	86.4	86.4	86.5	86.5	90.4	76.3	83.2	83.2	83.3	83.3	86.8	75.0	79.9	79.9	80.0	80.0	82.7	73.5
2880	75	75.0	72.5	82.9	53.7	91.4	34.4	71.7	70.2	78.9	52.2	87.5	33.1	68.3	68.3	74.7	50.6	82.7	31.4
	80	79.1	79.1	83.0	68.9	91.3	49.9	75.9	75.9	79.0	67.3	87.5	48.6	72.7	72.7	75.1	65.7	83.2	47.2
	85	83.9	83.9	84.2	84.2	91.1	65.3	80.6	80.6	80.8	80.8	87.4	63.9	77.1	77.1	77.2	77.2	83.1	62.4
	90	88.7	88.7	88.8	88.8	91.5	80.5	85.3	85.3	85.4	85.4	87.4	79.0	81.5	81.5	81.6	81.6	83.7	77.7
CFM	Ent DB (°F)	Ambient Temperature (°F)						Ambient Temperature (°F)											
		115						125											
		Entering Wet Bulb (°F)						Entering Wet Bulb (°F)											
		61		67		73		61		67		73							
		MBH	SHC	MBH	SHC	MBH	SHC	MBH	SHC	MBH	SHC	MBH	SHC						
2160	75	61.4	56.7	68.3	42.9	75.9	28.3	58.3	55.5	64.9	41.5	72.0	27.0						
	80	64.0	64.0	68.3	54.4	75.8	40.1	61.3	61.3	64.9	53.2	71.9	38.7						
	85	67.8	67.8	68.8	66.0	75.7	51.8	65.1	65.1	65.5	64.2	71.7	50.4						
	90	71.7	71.7	71.9	71.9	75.8	63.3	68.8	68.8	68.9	68.9	71.9	61.9						
2400	75	62.7	60.4	69.3	45.0	76.9	28.9	59.7	58.6	65.8	43.7	72.9	27.5						
	80	66.1	66.1	69.4	57.7	76.8	41.9	63.3	63.3	65.9	56.3	72.8	40.6						
	85	70.1	70.1	70.4	69.5	76.7	54.8	67.1	67.1	67.2	67.2	72.6	53.4						
	90	74.1	74.1	74.2	74.2	76.9	67.6	70.9	70.9	71.1	71.1	72.9	66.2						
2640	75	63.9	63.0	70.2	47.1	77.7	29.5	61.0	61.0	66.5	45.6	73.6	28.1						
	80	67.9	67.9	70.4	61.0	77.6	43.8	64.9	64.9	66.8	59.5	73.5	42.4						
	85	72.0	72.0	72.1	72.1	77.5	57.8	68.9	68.9	69.0	69.0	73.4	56.3						
	90	76.2	76.2	76.3	76.3	78.0	71.8	72.8	72.8	72.9	72.9	73.8	70.3						
2880	75	65.2	65.2	70.8	49.0	78.4	30.0	62.3	62.3	67.1	47.6	74.2	28.6						
	80	69.5	69.5	71.2	64.2	78.3	45.6	66.4	66.4	67.6	62.7	74.0	44.2						
	85	73.7	73.7	73.8	73.8	78.3	60.7	70.4	70.4	70.5	70.5	74.1	59.2						
	90	77.9	77.9	78.0	78.0	78.8	75.8	74.4	74.4	74.5	74.5	74.6	74.6						

**Notes:**

1. All capacities shown are gross and have not considered indoor fan heat. To obtain net cooling, subtract indoor fan heat.
2. MBH = Total Gross Capacity, SHC = Sensible Heat Capacity

Table 15. Gross cooling capacities (MBH) 7.5 tons TTA0904\*A condensing unit with 7.5 tons TWE0904\*A standard air handler (IP)

CFM	Ent DB (°F)	Ambient Temperature (°F)						Ambient Temperature (°F)						Ambient Temperature (°F)					
		85						95						105					
		Entering Wet Bulb (°F)						Entering Wet Bulb (°F)						Entering Wet Bulb (°F)					
		61		67		73		61		67		73		61		67		73	
		MBH	SHC	MBH	SHC	MBH	SHC	MBH	SHC	MBH	SHC	MBH	SHC	MBH	SHC	MBH	SHC	MBH	SHC
2700	75	88.2	73.6	95.7	56.4	103.1	38.2	84.7	71.9	91.9	54.9	99.1	36.7	81.1	70.1	87.9	53.3	94.8	35.2
	80	89.2	87.1	95.7	69.9	102.8	51.9	85.9	85.5	91.9	68.3	98.8	50.4	82.5	82.5	88.0	66.6	94.6	48.9
	85	92.9	92.9	96.1	83.1	102.6	65.5	89.8	89.8	92.4	81.5	98.6	64.1	86.5	86.5	88.5	79.8	94.4	62.6
	90	96.8	96.8	97.2	96.7	102.7	78.8	93.6	93.6	93.7	93.7	98.7	77.3	90.1	90.1	90.3	90.3	94.5	75.7
3000	75	90.1	78.9	97.2	59.5	104.4	38.9	86.6	77.2	93.3	58.0	100.3	37.4	82.8	75.4	89.2	56.4	95.9	35.9
	80	92.0	92.0	97.3	74.6	104.1	54.5	88.8	88.8	93.5	73.0	100.0	53.0	85.4	85.4	89.4	71.3	95.6	51.5
	85	96.2	96.2	97.9	89.8	103.9	70.1	92.9	92.9	94.2	88.2	99.8	68.4	89.4	89.4	90.2	86.5	95.5	67.1
	90	100.0	100.0	100.1	100.1	104.1	84.9	96.6	96.6	96.7	96.7	100.0	83.4	93.0	93.0	93.1	93.1	95.7	81.7
3300	75	91.4	83.0	98.1	62.0	105.2	39.4	87.8	81.3	94.2	60.5	101.0	38.0	84.1	79.5	90.1	58.9	96.6	36.5
	80	94.1	94.1	98.3	78.4	104.8	56.6	90.8	90.8	94.5	76.7	100.7	55.1	87.3	87.3	90.4	75.0	96.3	53.6
	85	98.3	98.3	99.2	95.1	104.7	73.7	94.9	94.9	95.4	93.5	100.6	71.7	91.2	91.2	91.5	91.5	96.2	70.1
	90	102.1	102.1	102.2	102.2	105.3	89.9	98.5	98.5	98.6	98.6	100.8	88.2	94.7	94.7	94.8	94.8	96.4	86.6
3600	75	92.6	87.2	98.9	64.4	105.9	40.0	89.0	85.4	95.0	62.9	101.7	38.6	85.2	83.6	90.8	61.3	97.2	37.1
	80	95.9	95.9	99.2	82.1	105.5	58.6	92.5	92.5	95.3	80.4	101.3	57.2	88.9	88.9	91.2	78.7	96.8	55.7
	85	100.0	100.0	100.4	100.3	105.6	76.7	96.5	96.5	96.7	96.7	101.2	75.0	92.7	92.7	92.8	92.8	96.7	73.4
	90	103.8	103.8	103.9	103.9	106.4	94.8	100.1	100.1	100.2	100.2	101.8	93.1	96.1	96.1	96.2	96.2	97.1	91.3
CFM	Ent DB (°F)	Ambient Temperature (°F)						Ambient Temperature (°F)											
		115						125											
		Entering Wet Bulb (°F)						Entering Wet Bulb (°F)											
		61		67		73		61		67		73							
		MBH	SHC	MBH	SHC	MBH	SHC	MBH	SHC	MBH	SHC	MBH	SHC						
2700	75	77.3	68.3	83.7	51.6	90.2	33.6	73.4	66.4	79.2	49.8	85.2	31.9						
	80	79.2	79.2	83.8	64.8	90.0	47.3	75.6	75.6	79.3	62.9	85.0	45.5						
	85	82.9	82.9	84.4	78.1	89.8	60.8	79.1	79.1	79.9	76.1	84.8	58.9						
	90	86.4	86.4	86.5	86.5	89.9	73.9	82.3	82.3	82.4	82.4	84.9	72.0						
3000	75	79.0	73.5	84.9	54.7	91.2	34.3	74.9	71.6	80.3	52.9	86.1	32.6						
	80	81.9	81.9	85.1	69.5	90.9	49.9	78.0	78.0	80.5	67.5	85.8	48.2						
	85	85.6	85.6	86.0	84.7	90.8	65.0	81.4	81.4	81.5	81.5	85.6	63.1						
	90	89.0	89.0	89.0	89.0	91.0	80.0	84.5	84.5	84.6	84.6	85.8	78.0						
3300	75	80.1	77.7	85.7	57.2	91.8	34.9	75.8	75.8	80.9	55.4	86.6	33.2						
	80	83.6	83.6	86.0	73.2	91.5	52.0	79.5	79.5	81.3	71.2	86.3	50.3						
	85	87.3	87.3	87.3	87.3	91.4	68.3	82.9	82.9	83.0	83.0	86.2	66.4						
	90	90.5	90.5	90.6	90.6	91.7	84.8	85.8	85.8	85.9	85.9	86.5	82.8						
3600	75	81.1	81.1	86.3	59.6	92.4	35.5	77.1	77.1	81.5	57.8	87.1	33.8						
	80	85.0	85.0	86.7	76.8	92.0	54.1	80.8	80.8	82.0	74.8	86.7	52.4						
	85	88.6	88.6	88.7	88.7	91.9	71.6	84.1	84.1	84.2	84.2	86.6	69.6						
	90	91.8	91.8	91.8	91.8	92.4	89.5	86.9	86.9	86.9	86.9	87.1	87.1						

Notes:

1. All capacities shown are gross and have not considered indoor fan heat. To obtain net cooling, subtract indoor fan heat.
2. MBH = Total Gross Capacity, SHC = Sensible Heat Capacity

**Performance Data**

**Table 16. Gross cooling capacities (MBH) 7.5 tons TTA0904\*D condensing unit with 7.5 tons TWE0904\*B standard/SZVAV/2-speed VFD air handler (IP)**

CFM	Ent DB (°F)	Ambient Temperature (°F)						Ambient Temperature (°F)						Ambient Temperature (°F)					
		85						95						105					
		Entering Wet Bulb (°F)						Entering Wet Bulb (°F)						Entering Wet Bulb (°F)					
		61		67		73		61		67		73		61		67		73	
		MBH	SHC	MBH	SHC	MBH	SHC	MBH	SHC	MBH	SHC	MBH	SHC	MBH	SHC	MBH	SHC	MBH	SHC
2700	75	89.2	76.0	97.3	58.0	105.4	39.0	85.2	74.1	92.8	56.2	100.5	37.3	81.0	72.2	88.1	54.3	95.4	35.5
	80	90.4	90.4	97.4	72.4	105.3	53.5	87.0	87.0	93.0	70.5	100.4	51.7	83.3	83.3	88.3	68.6	95.2	49.9
	85	95.0	95.0	98.1	86.6	105.2	67.9	91.4	91.4	93.6	84.7	100.3	66.2	87.5	87.5	89.0	82.8	95.1	64.4
	90	99.5	99.5	99.7	99.7	105.4	82.2	95.7	95.7	95.8	95.8	100.5	80.4	91.5	91.5	91.7	91.7	95.4	78.6
3000	75	91.2	81.7	98.9	61.2	106.6	39.7	87.1	79.9	94.2	59.4	101.6	38.0	82.8	77.9	89.4	57.5	96.4	36.2
	80	93.8	93.8	99.2	77.5	106.5	56.2	90.2	90.2	94.5	75.6	101.5	54.5	86.3	86.3	89.7	73.7	96.2	52.7
	85	98.6	98.6	100.1	93.8	106.4	72.6	94.6	94.6	95.6	92.0	101.4	70.9	90.4	90.4	90.9	90.1	96.2	69.0
	90	103.0	103.0	103.1	103.1	106.7	88.8	98.8	98.8	98.9	98.9	101.8	87.0	94.4	94.4	94.5	94.5	96.5	85.1
3300	75	92.5	86.2	99.9	63.8	107.4	40.3	88.4	84.4	95.2	62.0	102.3	38.6	84.1	82.4	90.2	60.1	97.0	36.8
	80	96.2	96.2	100.3	81.5	107.2	58.3	92.2	92.2	95.6	79.7	102.1	56.6	88.1	88.1	90.7	77.7	96.8	54.9
	85	100.8	100.8	101.5	99.5	107.2	76.3	96.7	96.7	97.0	97.0	102.1	74.5	92.3	92.3	92.4	92.4	96.8	72.6
	90	105.1	105.1	105.2	105.2	107.6	94.0	100.7	100.7	100.8	100.8	102.6	92.2	96.1	96.1	96.2	96.2	97.3	90.3
3600	75	93.6	91.0	100.7	66.4	108.0	40.9	89.3	89.3	95.9	64.5	102.8	39.2	85.3	85.3	90.9	62.6	97.5	37.4
	80	98.1	98.1	101.2	85.6	107.8	60.5	94.0	94.0	96.5	83.7	102.6	58.8	89.7	89.7	91.5	81.7	97.3	57.0
	85	102.7	102.7	102.9	102.9	107.8	79.8	98.4	98.4	98.5	98.5	102.7	78.1	93.9	93.9	94.0	94.0	97.3	76.2
	90	106.8	106.8	106.9	106.9	108.6	99.2	102.3	102.3	102.3	102.3	103.3	97.3	97.4	97.4	97.5	97.5	98.0	95.5
CFM	Ent DB (°F)	Ambient Temperature (°F)						Ambient Temperature (°F)											
		115						125											
		Entering Wet Bulb (°F)						Entering Wet Bulb (°F)											
		61		67		73		61		67		73							
		MBH	SHC	MBH	SHC	MBH	SHC	MBH	SHC	MBH	SHC	MBH	SHC						
2700	75	76.6	70.2	83.3	52.4	89.9	33.6	72.2	68.2	78.1	50.4	84.0	31.6						
	80	79.4	79.4	83.5	66.6	89.7	48.1	75.3	75.3	78.4	64.6	83.8	46.0						
	85	83.4	83.4	84.3	80.9	89.7	62.5	79.0	79.0	79.3	78.9	83.8	60.4						
	90	87.1	87.1	87.2	87.2	89.9	76.6	82.2	82.2	82.3	82.3	84.1	74.5						
3000	75	78.4	75.9	84.4	55.6	90.8	34.3	73.8	73.1	79.1	53.6	84.7	32.3						
	80	82.1	82.1	84.7	71.7	90.6	50.8	77.6	77.6	79.5	69.6	84.5	48.8						
	85	86.0	86.0	86.1	86.1	90.6	67.1	81.2	81.2	81.3	81.3	84.6	65.0						
	90	89.6	89.6	89.7	89.7	91.0	83.2	84.3	84.3	84.4	84.4	85.0	81.1						
3300	75	79.5	79.5	85.1	58.1	91.3	34.9	75.2	75.2	79.7	56.1	85.2	32.9						
	80	83.8	83.8	85.6	75.7	91.1	53.0	79.1	79.1	80.2	73.7	85.0	51.0						
	85	87.7	87.7	87.7	87.7	91.2	70.7	82.5	82.5	82.6	82.6	85.0	68.6						
	90	91.1	91.1	91.1	91.1	91.7	88.4	85.5	85.5	85.5	85.5	85.6	85.6						
3600	75	81.0	81.0	85.7	60.5	91.7	35.5	76.5	76.5	80.2	58.5	85.5	33.5						
	80	85.2	85.2	86.3	79.7	91.5	55.1	80.3	80.3	80.9	77.6	85.3	53.1						
	85	89.0	89.0	89.1	89.1	91.6	74.3	83.7	83.7	83.7	83.7	85.5	72.2						
	90	92.2	92.2	92.2	92.2	92.3	92.3	86.3	86.3	86.4	86.4	86.4	86.4						

**Notes:**

1. All capacities shown are gross and have not considered indoor fan heat. To obtain net cooling, subtract indoor fan heat.
2. MBH = Total Gross Capacity, SHC = Sensible Heat Capacity



Table 17. Gross cooling capacities (MBH) 7.5 tons TTA0904\*A condensing unit with 10 tons TWE1204\*A standard air handler (IP)

CFM	Ent DB (°F)	Ambient Temperature (°F)						Ambient Temperature (°F)						Ambient Temperature (°F)					
		85						95						105					
		Entering Wet Bulb (°F)						Entering Wet Bulb (°F)						Entering Wet Bulb (°F)					
		61		67		73		61		67		73		61		67		73	
		MBH	SHC	MBH	SHC	MBH	SHC	MBH	SHC	MBH	SHC	MBH	SHC	MBH	SHC	MBH	SHC	MBH	SHC
3100	75	96.2	83.3	103.8	63.1	111.4	41.5	92.4	81.5	99.9	61.5	107.4	40.1	88.5	79.6	95.7	59.9	103.0	38.6
	80	97.8	97.8	103.8	78.8	111.0	57.7	94.5	94.5	99.9	77.2	107.0	56.3	91.0	91.0	95.8	75.4	102.6	54.8
	85	102.1	102.1	104.2	94.6	110.9	74.0	98.8	98.8	100.4	92.9	106.7	72.2	95.2	95.2	96.4	91.2	102.4	70.6
	90	106.1	106.1	106.2	106.2	111.1	89.5	102.7	102.7	102.8	102.8	106.6	87.8	99.1	99.1	99.2	99.2	102.3	86.2
3400	75	98.1	89.5	105.2	66.8	112.7	42.3	94.3	87.8	101.2	65.2	108.6	40.9	90.3	85.9	97.0	63.6	104.2	39.5
	80	101.0	101.0	105.3	84.4	112.5	60.9	97.6	97.6	101.4	82.8	108.1	59.4	94.0	94.0	97.2	81.0	103.7	57.9
	85	105.3	105.3	106.0	102.5	112.4	78.9	101.8	101.8	102.3	100.8	107.8	77.2	98.1	98.1	98.3	98.3	103.4	75.6
	90	109.2	109.2	109.3	109.3	112.9	97.0	105.6	105.6	105.7	105.7	108.1	95.2	101.7	101.7	101.8	101.8	103.4	93.4
3700	75	99.2	93.9	106.0	69.1	113.5	43.0	95.5	92.1	102.0	67.4	109.3	41.6	91.5	90.2	97.7	66.2	104.8	40.1
	80	102.9	102.9	106.2	88.3	113.3	63.2	99.4	99.4	102.3	86.7	108.7	61.7	95.7	95.7	98.0	84.9	104.3	60.2
	85	107.1	107.1	107.2	107.2	113.4	82.5	103.5	103.5	103.6	103.6	108.5	80.7	99.7	99.7	99.8	99.8	104.0	79.1
	90	111.4	111.4	111.6	111.6	114.1	102.2	107.2	107.2	107.4	107.4	109.1	100.4	103.2	103.2	103.3	103.3	104.1	98.5
4000	75	100.3	98.2	106.7	72.0	114.2	43.6	96.4	96.4	102.7	70.4	109.9	42.2	92.7	92.7	98.4	67.9	105.4	40.7
	80	104.5	104.5	107.0	92.2	114.0	65.5	100.9	100.9	103.0	90.5	109.2	63.9	97.1	97.1	98.8	88.8	104.8	62.4
	85	108.6	108.6	108.6	108.6	114.2	86.1	105.0	105.0	105.1	105.1	109.2	84.3	101.1	101.1	101.1	101.1	104.4	82.5
	90	113.4	113.4	113.6	113.6	115.1	107.4	109.0	109.0	109.1	109.1	110.1	105.5	104.4	104.4	104.5	104.5	105.0	103.6
CFM	Ent DB (°F)	Ambient Temperature (°F)						Ambient Temperature (°F)											
		115						125											
		Entering Wet Bulb (°F)						Entering Wet Bulb (°F)											
		61		67		73		61		67		73							
		MBH	SHC	MBH	SHC	MBH	SHC	MBH	SHC	MBH	SHC	MBH	SHC						
3100	75	84.4	77.7	91.2	58.1	98.3	36.9	80.5	75.8	86.4	56.2	93.0	35.1						
	80	87.3	87.3	91.3	73.5	97.9	53.1	83.4	83.4	86.6	71.5	92.7	51.4						
	85	91.4	91.4	92.0	89.3	97.6	68.8	87.2	87.2	87.4	87.3	92.4	66.9						
	90	95.1	95.1	95.2	95.2	97.6	84.4	90.6	90.6	90.7	90.7	92.4	82.5						
3400	75	86.2	83.9	92.4	61.8	99.3	37.8	81.9	81.9	87.5	60.0	94.0	36.1						
	80	90.1	90.1	92.7	79.1	98.8	56.3	85.8	85.8	87.8	77.0	93.5	54.6						
	85	94.0	94.0	94.1	94.1	98.6	73.8	89.6	89.6	89.6	89.6	93.3	71.8						
	90	97.5	97.5	97.6	97.6	98.7	91.6	92.8	92.8	92.8	92.8	93.4	89.6						
3700	75	87.3	87.3	93.1	64.5	99.9	38.5	83.2	83.2	88.1	61.6	94.5	36.7						
	80	91.6	91.6	93.5	83.0	99.4	58.6	87.3	87.3	88.5	80.9	94.0	56.8						
	85	95.5	95.5	95.6	95.6	99.1	77.3	90.9	90.9	91.0	91.0	93.8	75.3						
	90	98.8	98.8	98.9	98.9	99.4	96.7	93.9	93.9	94.0	94.0	94.1	94.1						
4000	75	88.7	88.7	93.7	66.0	100.5	39.1	84.4	84.4	88.7	63.9	95.0	37.4						
	80	93.0	93.0	94.2	86.8	99.8	60.8	88.5	88.5	89.2	84.7	94.5	58.1						
	85	96.8	96.8	96.8	96.8	99.6	80.7	92.0	92.0	92.1	92.1	94.2	78.7						
	90	99.9	99.9	99.9	99.9	100.0	100.0	94.8	94.8	94.9	94.9	94.9	94.9						

Notes:

1. All capacities shown are gross and have not considered indoor fan heat. To obtain net cooling, subtract indoor fan heat.
2. MBH = Total Gross Capacity, SHC = Sensible Heat Capacity

**Performance Data**

**Table 18. Gross cooling capacities (MBH) 10 tons TTA1204\*A condensing unit with 10 tons TWE1204\*A standard air handler (IP)**

CFM	Ent DB (°F)	Ambient Temperature (°F)						Ambient Temperature (°F)						Ambient Temperature (°F)					
		85						95						105					
		Entering Wet Bulb (°F)						Entering Wet Bulb (°F)						Entering Wet Bulb (°F)					
		61		67		73		61		67		73		61		67		73	
		MBH	SHC	MBH	SHC	MBH	SHC	MBH	SHC	MBH	SHC	MBH	SHC	MBH	SHC	MBH	SHC	MBH	SHC
3600	75	118.8	101.3	130.3	77.9	141.5	52.6	113.7	98.8	124.4	75.6	135.1	50.3	108.5	96.4	118.2	73.1	128.3	48.0
	80	120.9	120.9	130.8	97.0	141.5	72.1	116.4	116.4	125.0	94.5	135.2	69.9	111.8	111.8	118.9	91.9	128.4	67.5
	85	127.6	127.6	132.0	116.0	141.5	91.6	122.8	122.8	126.2	113.5	135.2	89.2	117.8	117.8	120.2	111.0	128.4	87.0
	90	134.1	134.1	134.4	134.4	141.9	110.3	129.1	129.1	129.3	129.3	135.5	107.9	123.7	123.7	123.9	123.9	128.7	105.3
4000	75	121.1	107.2	132.2	81.5	142.9	53.4	115.8	104.7	126.1	79.1	136.3	51.1	110.5	102.2	119.8	76.6	129.4	48.7
	80	124.7	124.7	132.8	102.3	142.8	75.0	119.9	119.9	126.9	99.8	136.3	72.7	115.0	115.0	120.6	97.1	129.3	70.3
	85	131.6	131.6	134.3	123.5	142.8	96.5	126.6	126.6	128.4	121.0	136.3	93.7	121.2	121.2	122.3	118.4	129.3	91.2
	90	137.8	137.8	138.0	138.0	143.1	116.9	132.5	132.5	132.7	132.7	136.5	114.4	126.7	126.7	126.9	126.9	129.5	111.8
4400	75	123.0	113.0	133.7	84.9	143.9	54.1	117.6	110.5	127.5	82.5	137.3	51.9	112.2	107.9	121.0	80.1	130.2	49.5
	80	128.0	128.0	134.5	107.5	143.7	77.8	123.0	123.0	128.4	105.0	137.1	75.5	117.7	117.7	122.0	102.3	130.0	73.2
	85	134.9	134.9	136.3	130.8	143.7	100.7	129.6	129.6	130.4	128.3	137.0	98.2	124.0	124.0	124.2	124.2	130.0	95.6
	90	140.7	140.7	140.8	140.8	144.0	123.4	135.0	135.0	135.1	135.1	137.2	120.9	128.8	128.8	128.9	128.9	130.0	118.2
4800	75	124.9	118.8	134.9	88.3	144.7	54.8	119.3	116.2	128.7	86.0	138.0	52.6	113.5	113.5	122.1	83.5	130.9	50.3
	80	130.9	130.9	135.9	112.7	144.4	80.6	125.6	125.6	129.7	110.1	137.7	78.3	120.1	120.1	123.2	107.4	130.6	76.0
	85	137.6	137.6	138.0	138.0	144.3	105.1	132.0	132.0	132.2	132.2	137.5	102.6	126.1	126.1	126.2	126.2	130.4	100.0
	90	142.8	142.8	142.9	142.9	145.1	130.0	136.6	136.6	136.7	136.7	137.7	127.3	129.9	129.9	129.9	129.9	130.1	124.4
CFM	Ent DB (°F)	Ambient Temperature (°F)						Ambient Temperature (°F)											
		115						125											
		Entering Wet Bulb (°F)						Entering Wet Bulb (°F)											
		61		67		73		61		67		73							
		MBH	SHC	MBH	SHC	MBH	SHC	MBH	SHC	MBH	SHC	MBH	SHC						
3600	75	103.7	94.1	112.2	70.8	121.0	45.5	99.6	92.1	106.4	68.5	113.1	42.8						
	80	107.2	107.2	112.7	89.3	121.0	65.0	102.8	102.8	106.7	86.8	113.0	62.2						
	85	112.6	112.6	113.9	108.3	121.1	83.9	107.2	107.2	107.7	105.6	113.0	80.9						
	90	117.9	117.9	118.0	118.0	121.3	102.5	111.2	111.2	111.3	111.3	113.0	99.4						
4000	75	105.4	99.8	113.4	74.2	121.9	46.2	101.0	97.7	107.3	71.9	113.8	43.5						
	80	110.0	110.0	114.1	94.4	121.8	67.8	105.0	105.0	107.7	91.8	113.6	65.1						
	85	115.5	115.5	115.9	115.6	121.8	88.3	109.1	109.1	109.3	109.3	113.4	85.2						
	90	120.3	120.3	120.4	120.4	121.8	108.9	112.8	112.8	112.8	112.8	113.1	105.7						
4400	75	107.0	105.5	114.4	77.6	122.6	47.0	102.2	102.2	108.1	75.2	114.3	44.3						
	80	112.3	112.3	115.3	99.5	122.4	70.6	106.8	106.8	108.6	96.7	114.0	67.9						
	85	117.8	117.8	118.0	118.0	122.2	92.7	111.0	111.0	111.1	111.1	113.6	89.6						
	90	121.7	121.7	121.7	121.7	122.0	115.2	113.1	113.1	113.0	113.0	112.8	111.7						
4800	75	108.5	108.5	115.2	80.9	123.2	47.8	103.7	103.7	108.7	77.1	114.8	45.0						
	80	114.2	114.2	116.4	104.6	122.8	73.4	108.2	108.2	109.2	101.6	114.2	70.7						
	85	119.6	119.6	119.7	119.7	122.4	97.1	112.3	112.3	112.3	112.3	113.6	93.8						
	90	122.0	122.0	121.9	121.9	121.8	121.3	112.4	112.4	112.4	112.4	112.4	112.4						

**Notes:**

1. All capacities shown are gross and have not considered indoor fan heat. To obtain net cooling, subtract indoor fan heat.
2. MBH = Total Gross Capacity, SHC = Sensible Heat Capacity

**Table 19. Gross cooling capacities (MBH) 10 tons TTA1204\*D condensing unit with 10 tons TWE1204\*B standard/ SZVAV/ 2-speed VFD air handler (IP)**

CFM	Ent DB (°F)	Ambient Temperature (°F)						Ambient Temperature (°F)						Ambient Temperature (°F)					
		85						95						105					
		Entering Wet Bulb (°F)						Entering Wet Bulb (°F)						Entering Wet Bulb (°F)					
		61		67		73		61		67		73		61		67		73	
		MBH	SHC	MBH	SHC	MBH	SHC	MBH	SHC	MBH	SHC	MBH	SHC	MBH	SHC	MBH	SHC	MBH	SHC
3600	75	112.3	96.6	124.0	73.9	134.6	49.8	107.4	94.5	118.6	71.7	129.0	47.8	102.4	92.2	113.0	69.5	123.0	45.7
	80	114.1	114.1	124.0	92.2	134.6	68.3	110.0	110.0	118.6	90.0	128.9	66.3	105.7	105.7	113.0	87.8	123.0	64.2
	85	120.3	120.3	124.3	110.6	134.5	86.7	116.1	116.1	119.0	108.4	128.9	84.7	111.6	111.6	113.6	106.2	122.9	82.6
	90	126.3	126.3	126.5	126.5	134.5	105.1	121.9	121.9	122.0	122.0	128.9	103.1	117.2	117.2	117.3	117.3	122.9	101.0
4000	75	114.2	101.9	125.7	76.9	136.0	50.5	109.2	99.7	120.2	74.7	130.2	48.5	104.1	97.4	114.4	72.5	124.1	46.4
	80	117.5	117.5	125.6	97.1	136.0	70.8	113.2	113.2	120.2	94.9	130.1	68.8	108.7	108.7	114.5	92.7	124.1	66.7
	85	123.8	123.8	126.2	117.2	135.9	91.0	119.3	119.3	120.9	115.1	130.1	89.0	114.6	114.6	115.5	112.3	124.0	86.9
	90	129.7	129.7	129.9	129.9	136.0	111.3	125.1	125.1	125.2	125.2	130.1	109.2	120.2	120.2	120.3	120.3	124.1	107.1
4400	75	115.4	108.6	127.0	79.8	137.2	51.2	109.5	109.5	121.4	77.7	131.1	49.2	105.0	105.0	115.6	75.4	125.0	47.1
	80	120.4	120.4	127.0	101.7	137.1	73.3	115.9	115.9	121.5	99.5	131.1	71.2	111.2	111.2	115.7	97.3	124.9	69.2
	85	126.7	126.7	127.9	123.7	137.1	95.3	122.1	122.1	122.7	119.2	131.0	93.3	117.2	117.2	117.4	116.0	124.9	91.2
	90	132.5	132.5	132.6	132.6	137.4	117.3	127.7	127.7	127.8	127.8	131.2	115.1	122.5	122.5	122.6	122.6	125.1	113.1
4800	75	116.3	116.3	128.1	82.7	138.2	51.9	111.8	111.8	122.5	80.5	131.9	49.8	107.1	107.1	116.6	78.2	125.7	47.7
	80	122.9	122.9	128.2	106.2	138.2	75.7	118.3	118.3	122.5	104.0	131.8	73.6	113.4	113.4	116.7	101.8	125.6	71.5
	85	129.2	129.2	129.7	126.7	138.1	99.5	124.4	124.4	124.5	123.6	131.8	97.3	119.3	119.3	119.2	119.2	125.6	95.2
	90	134.9	134.9	135.1	135.1	138.6	123.1	129.8	129.8	129.9	129.9	132.0	122.0	124.5	124.5	124.6	124.6	124.6	124.6
CFM	Ent DB (°F)	Ambient Temperature (°F)						Ambient Temperature (°F)											
		115						125											
		Entering Wet Bulb (°F)						Entering Wet Bulb (°F)											
		61		67		73		61		67		73							
		MBH	SHC	MBH	SHC	MBH	SHC	MBH	SHC	MBH	SHC	MBH	SHC						
3600	75	96.7	91.7	107.3	67.2	116.7	43.5	92.7	87.8	101.4	64.9	110.0	41.2						
	80	101.3	101.3	107.3	85.6	116.7	62.0	96.7	96.7	101.4	83.3	110.0	59.7						
	85	106.9	106.9	108.1	104.0	116.7	80.5	102.0	102.0	102.6	99.8	109.9	78.2						
	90	112.2	112.2	112.4	112.4	116.7	98.8	106.9	106.9	107.0	107.0	110.1	96.5						
4000	75	98.1	98.1	108.6	70.2	117.7	44.2	93.8	93.8	102.5	67.9	110.9	41.9						
	80	104.0	104.0	108.6	90.4	117.7	64.5	99.2	99.2	102.6	88.0	110.8	62.2						
	85	109.7	109.7	110.1	108.0	117.6	84.8	104.5	104.5	104.5	104.5	110.8	82.5						
	90	114.9	114.9	115.0	115.0	117.8	104.9	109.3	109.3	109.4	109.4	110.8	103.0						
4400	75	100.4	100.4	109.6	73.1	118.5	44.9	95.7	95.7	103.4	70.8	111.5	42.6						
	80	106.3	106.3	109.7	95.0	118.4	67.0	101.3	101.3	103.6	92.6	111.5	64.7						
	85	112.0	112.0	112.0	112.0	118.4	89.0	106.5	106.5	106.6	106.6	111.4	86.7						
	90	117.1	117.1	117.2	117.2	117.3	117.3	111.1	111.1	111.2	111.2	111.3	111.3						
4800	75	102.3	102.3	110.4	75.9	119.1	45.6	97.4	97.4	104.1	73.7	112.1	43.3						
	80	108.3	108.3	110.7	99.5	119.1	69.4	103.0	103.0	103.1	103.1	112.0	67.1						
	85	113.9	113.9	114.0	114.0	119.0	93.0	108.2	108.2	108.2	108.2	112.0	90.7						
	90	118.8	118.8	118.9	118.9	118.9	118.9	112.6	112.6	112.6	112.6	112.7	112.7						

**Notes:**

1. All capacities shown are gross and have not considered indoor fan heat. To obtain net cooling, subtract indoor fan heat.
2. MBH = Total Gross Capacity, SHC = Sensible Heat Capacity

**Performance Data**

**Table 20. Gross cooling capacities (MBH) one compressor - 10 tons TTA1204\*C condensing unit with 10 tons TWE1204\*A standard/SZVAV/2-speed VFD air handler (IP)**

CFM	Ent DB (°F)	Ambient Temperature (°F)						Ambient Temperature (°F)						Ambient Temperature (°F)					
		85						95						105					
		Entering Wet Bulb (°F)						Entering Wet Bulb (°F)						Entering Wet Bulb (°F)					
		61		67		73		61		67		73		61		67		73	
		MBH	SHC	MBH	SHC	MBH	SHC	MBH	SHC	MBH	SHC	MBH	SHC	MBH	SHC	MBH	SHC	MBH	SHC
3600	75	71.6	71.6	75.8	55.6	82.9	32.5	69.2	69.2	72.9	54.5	79.7	31.5	66.6	66.6	69.9	53.2	76.4	30.4
	80	75.7	75.7	75.8	75.8	82.4	51.5	73.2	73.2	73.2	73.2	79.4	50.5	70.5	70.5	70.6	70.6	76.1	49.4
	85	79.7	79.7	79.7	79.7	82.2	69.5	77.0	77.0	77.1	77.1	79.1	68.4	74.3	74.3	74.3	74.3	76.0	67.2
	90	83.3	83.3	83.3	83.3	83.4	83.4	80.5	80.5	80.6	80.6	80.7	80.7	77.7	77.7	77.7	77.7	77.8	77.8
4000	75	73.1	73.1	76.5	58.6	83.5	33.3	70.6	70.6	73.6	57.4	80.3	32.3	68.0	68.0	70.5	56.2	76.9	31.2
	80	77.3	77.3	77.4	77.4	83.0	54.2	74.7	74.7	74.7	74.7	79.9	53.2	71.9	71.9	72.0	72.0	76.6	52.2
	85	81.2	81.2	81.3	81.3	82.8	73.9	78.5	78.5	78.6	78.6	79.8	72.8	75.7	75.7	75.7	75.7	76.6	71.7
	90	84.9	84.9	85.0	85.0	85.1	85.1	81.9	81.9	82.0	82.0	82.0	82.0	79.0	79.0	79.0	79.0	79.1	79.1
4400	75	74.4	74.4	77.1	61.5	84.0	34.2	71.8	71.8	74.2	60.3	80.8	33.1	69.1	69.1	71.1	59.0	77.3	32.0
	80	78.6	78.6	78.7	78.7	83.5	56.9	75.9	75.9	76.0	76.0	80.3	55.9	73.1	73.1	73.1	73.1	77.0	53.7
	85	82.5	82.5	82.5	82.5	83.4	78.3	79.7	79.7	79.8	79.8	79.8	79.8	76.8	76.8	76.9	76.9	77.2	76.0
	90	86.4	86.4	86.4	86.4	86.5	86.5	83.2	83.2	83.2	83.2	83.3	83.3	80.0	80.0	80.0	80.0	80.1	80.1
4800	75	75.5	75.5	77.6	64.3	84.4	34.9	72.8	72.8	74.6	63.1	81.1	33.9	70.0	70.0	71.5	61.8	77.6	32.8
	80	79.7	79.7	79.8	79.8	83.9	58.4	77.0	77.0	77.0	77.0	80.7	57.3	74.1	74.1	74.1	74.1	77.4	56.1
	85	83.5	83.5	83.6	83.6	83.6	83.6	80.7	80.7	80.7	80.7	80.8	80.8	77.7	77.7	77.8	77.8	77.8	77.8
	90	87.6	87.6	87.7	87.7	87.7	87.7	84.3	84.3	84.3	84.3	84.4	84.4	80.9	80.9	81.0	81.0	81.0	81.0
CFM	Ent DB (°F)	Ambient Temperature (°F)						Ambient Temperature (°F)											
		115						125											
		Entering Wet Bulb (°F)						Entering Wet Bulb (°F)											
		61		67		73		61		67		73							
		MBH	SHC	MBH	SHC	MBH	SHC	MBH	SHC	MBH	SHC	MBH	SHC						
3600	75	64.0	64.0	66.8	51.9	72.8	29.3	61.3	61.3	63.5	50.6	69.2	28.1						
	80	67.7	67.7	67.8	67.8	72.7	48.3	64.8	64.8	64.8	64.8	69.1	47.1						
	85	71.4	71.4	71.4	71.4	72.7	66.0	68.3	68.3	68.3	68.3	69.2	64.7						
	90	74.7	74.7	74.8	74.8	74.8	74.8	71.5	71.5	71.5	71.5	71.6	71.6						
4000	75	65.2	65.2	67.3	54.9	73.3	30.1	62.4	62.4	64.0	53.5	69.5	28.9						
	80	69.0	69.0	69.1	69.1	73.2	51.1	66.0	66.0	66.0	66.0	69.5	48.6						
	85	72.7	72.7	72.7	72.7	73.3	70.5	69.5	69.5	69.5	69.5	69.6	69.6						
	90	75.9	75.9	75.9	75.9	76.0	76.0	72.6	72.6	72.6	72.6	72.7	72.7						
4400	75	66.3	66.3	67.8	57.7	73.6	30.9	63.3	63.3	64.5	56.3	69.8	29.7						
	80	70.1	70.1	70.2	70.2	73.6	52.4	67.0	67.0	67.0	67.0	69.9	51.0						
	85	73.8	73.8	73.8	73.8	73.9	73.9	70.5	70.5	70.5	70.5	70.6	70.6						
	90	76.9	76.9	76.9	76.9	76.9	76.9	73.5	73.5	73.5	73.5	73.5	73.5						
4800	75	67.1	67.1	68.3	60.5	73.9	31.6	64.1	64.1	64.9	59.1	70.0	30.4						
	80	71.0	71.0	71.1	71.1	73.9	54.8	67.8	67.8	67.9	67.9	70.2	53.4						
	85	74.7	74.7	74.7	74.7	74.7	74.7	71.3	71.3	71.3	71.3	71.4	71.4						
	90	77.6	77.6	77.7	77.7	77.7	77.7	74.2	74.2	74.2	74.2	74.2	74.2						

**Notes:**

1. All capacities shown are gross and have not considered indoor fan heat. To obtain net cooling, subtract indoor fan heat.
2. MBH = Total Gross Capacity, SHC = Sensible Heat Capacity

Table 21. Gross cooling capacities (MBH) both compressors - 10 tons TTA1204\*C condensing unit with 10 tons TWE1204\*A standard/SZVAV/2-speed VFD air handler (IP)

CFM	Ent DB (°F)	Ambient Temperature (°F)						Ambient Temperature (°F)						Ambient Temperature (°F)					
		85						95						105					
		Entering Wet Bulb (°F)						Entering Wet Bulb (°F)						Entering Wet Bulb (°F)					
		61		67		73		61		67		73		61		67		73	
		MBH	SHC	MBH	SHC	MBH	SHC	MBH	SHC	MBH	SHC	MBH	SHC	MBH	SHC	MBH	SHC	MBH	SHC
3600	75	118.6	100.6	129.8	77.0	140.3	51.9	114.0	98.4	124.8	74.9	134.9	49.9	109.2	96.1	119.5	72.8	129.1	47.9
	80	119.4	119.4	129.3	95.7	139.8	70.8	115.5	115.5	124.3	93.6	134.4	68.9	111.3	111.3	119.0	91.3	128.6	66.8
	85	125.1	125.1	129.4	114.1	139.4	89.7	121.0	121.0	124.5	112.0	133.9	87.7	116.7	116.7	119.3	109.7	128.1	85.7
	90	130.7	130.7	130.9	130.9	139.0	108.3	126.4	126.4	126.5	126.5	133.5	106.2	121.8	121.8	122.0	122.0	127.8	104.1
4000	75	120.6	106.1	131.5	80.2	141.9	52.7	115.9	103.9	126.4	78.2	136.2	50.7	111.0	101.6	120.9	76.0	130.3	48.7
	80	122.9	122.9	131.1	100.7	141.5	73.6	118.8	118.8	125.9	98.5	135.6	71.6	114.4	114.4	120.6	96.3	129.8	69.5
	85	128.7	128.7	131.4	121.0	141.1	94.5	124.4	124.4	126.4	118.9	135.1	92.4	119.9	119.9	121.1	116.7	129.2	90.4
	90	134.2	134.2	134.4	134.4	140.9	114.8	129.7	129.7	129.8	129.8	134.8	112.5	124.9	124.9	125.0	125.0	129.0	110.4
4400	75	122.4	111.6	132.9	83.4	143.3	53.5	117.6	109.3	127.6	81.3	137.2	51.4	112.7	107.0	122.1	79.2	131.3	49.4
	80	125.9	125.9	132.5	105.5	142.9	76.4	121.6	121.6	127.3	103.4	136.7	74.2	117.1	117.1	121.9	101.1	130.7	72.2
	85	131.7	131.7	133.2	127.9	142.5	99.2	127.2	127.2	128.1	125.7	136.1	96.7	122.5	122.5	122.8	122.8	130.1	94.9
	90	137.1	137.1	137.2	137.2	142.5	121.2	132.3	132.3	132.4	132.4	136.1	118.8	127.3	127.3	127.4	127.4	130.0	116.6
4800	75	124.0	116.8	134.0	86.5	144.5	54.3	119.2	114.6	128.7	84.4	138.1	52.2	113.6	113.6	123.1	82.3	132.1	50.2
	80	128.5	128.5	133.8	110.3	144.1	79.1	124.0	124.0	128.5	108.1	137.6	76.9	119.3	119.3	123.0	105.8	131.5	74.8
	85	134.2	134.2	134.8	134.5	143.6	103.3	129.6	129.6	129.8	129.8	137.0	101.0	124.6	124.6	124.7	124.7	130.9	98.7
	90	139.7	139.7	139.9	139.9	143.9	127.4	134.5	134.5	134.6	134.6	137.4	125.0	129.3	129.3	129.4	129.4	130.9	122.6
CFM	Ent DB (°F)	Ambient Temperature (°F)						Ambient Temperature (°F)											
		115						125											
		Entering Wet Bulb (°F)						Entering Wet Bulb (°F)											
		61		67		73		61		67		73							
		MBH	SHC	MBH	SHC	MBH	SHC	MBH	SHC	MBH	SHC	MBH	SHC						
3600	75	104.2	93.7	113.9	70.6	123.1	45.8	99.1	91.4	107.9	68.2	116.4	43.5						
	80	106.9	106.9	113.5	89.0	122.6	64.7	102.2	102.2	107.5	86.5	115.9	62.4						
	85	112.1	112.1	113.8	107.4	122.0	83.6	107.1	107.1	108.0	104.9	115.4	81.3						
	90	116.9	116.9	117.1	117.1	121.7	101.8	111.6	111.6	111.7	111.7	115.1	99.3						
4000	75	105.9	99.2	115.2	73.8	124.2	46.6	100.7	96.8	109.1	71.4	117.4	44.3						
	80	109.8	109.8	114.9	93.9	123.6	67.4	104.8	104.8	108.8	91.4	116.9	65.1						
	85	115.0	115.0	115.6	114.4	123.1	87.9	109.7	109.7	109.8	109.8	116.3	85.9						
	90	119.7	119.7	119.8	119.8	122.8	108.1	114.0	114.0	114.1	114.1	116.1	105.6						
4400	75	107.5	104.6	116.3	76.9	125.1	47.3	101.9	101.9	110.1	74.5	118.2	45.0						
	80	112.3	112.3	116.1	98.7	124.5	70.1	107.0	107.0	109.9	96.2	117.6	67.8						
	85	117.4	117.4	117.5	117.5	123.9	92.8	111.8	111.8	111.9	111.9	117.0	90.5						
	90	121.9	121.9	122.0	122.0	123.8	114.3	115.9	115.9	116.0	116.0	117.0	111.8						
4800	75	108.8	108.8	117.2	80.0	125.8	48.1	103.7	103.7	110.9	77.6	118.9	45.8						
	80	114.3	114.3	117.1	103.4	125.1	72.7	108.9	108.9	110.8	100.9	118.2	70.4						
	85	119.4	119.4	119.5	119.5	124.6	96.4	113.5	113.5	113.6	113.6	117.6	95.0						
	90	123.7	123.7	123.7	123.7	124.6	120.3	117.4	117.4	117.5	117.5	117.8	117.8						

Notes:

1. All capacities shown are gross and have not considered indoor fan heat. To obtain net cooling, subtract indoor fan heat.
2. MBH = Total Gross Capacity, SHC = Sensible Heat Capacity

**Performance Data**

**Table 22. Gross cooling capacities (MBH) 12.5 tons TTA1504\*D condensing unit with 12.5 tons TWE1504\*B standard/ SZVAV/2-speed VFD air handler (IP)**

CFM	Ent DB (°F)	Ambient Temperature (°F)						Ambient Temperature (°F)						Ambient Temperature (°F)					
		85						95						105					
		Entering Wet Bulb (°F)						Entering Wet Bulb (°F)						Entering Wet Bulb (°F)					
		61		67		73		61		67		73		61		67		73	
		MBH	SHC	MBH	SHC	MBH	SHC	MBH	SHC	MBH	SHC	MBH	SHC	MBH	SHC	MBH	SHC	MBH	SHC
4500	75	147.3	121.0	160.5	93.1	172.3	63.6	140.8	117.8	153.6	90.2	164.5	60.8	133.9	114.5	146.2	87.2	156.5	58.0
	80	146.7	146.7	160.3	114.9	172.1	85.4	141.3	141.3	153.4	112.0	164.3	82.6	135.4	135.4	146.0	108.8	156.3	79.8
	85	153.6	153.6	160.2	136.1	171.9	107.2	148.0	148.0	153.4	133.1	164.1	104.7	142.0	142.0	146.0	130.0	156.1	101.8
	90	160.1	160.1	160.3	160.3	171.7	128.9	154.3	154.3	154.5	154.5	163.9	126.0	148.0	148.0	148.2	148.2	155.9	123.0
5000	75	149.6	126.7	162.5	96.4	174.1	64.5	141.1	128.7	155.4	93.5	166.1	61.6	134.6	123.9	147.9	90.5	157.7	58.7
	80	150.8	150.8	162.3	120.1	173.9	88.3	145.1	145.1	155.2	117.2	165.9	85.4	139.0	139.0	147.7	114.0	157.5	82.5
	85	157.6	157.6	162.2	143.2	173.7	112.3	151.8	151.8	155.3	140.3	165.7	109.4	145.5	145.5	147.9	137.2	157.3	106.3
	90	164.0	164.0	164.1	164.1	173.5	135.5	157.9	157.9	158.0	158.0	165.5	132.5	151.3	151.3	151.4	151.4	155.5	136.9
5500	75	149.9	137.3	164.0	99.5	175.6	65.2	143.6	132.7	156.9	96.7	167.4	62.4	135.1	135.1	149.1	93.9	158.8	59.4
	80	154.2	154.2	163.8	125.0	175.4	91.0	148.3	148.3	156.7	122.1	167.2	88.1	142.0	142.0	149.0	118.9	158.6	85.1
	85	161.0	161.0	164.0	150.0	175.2	116.8	154.9	154.9	157.0	147.1	167.0	114.0	148.3	148.3	149.6	144.1	158.4	110.9
	90	167.0	167.0	167.2	167.2	175.0	141.8	160.8	160.8	160.9	160.9	164.9	146.1	153.9	153.9	154.0	154.0	157.0	140.8
6000	75	152.1	141.1	165.2	102.9	176.9	66.0	143.9	143.9	158.0	100.0	168.6	63.1	137.6	137.6	150.2	96.9	159.8	60.2
	80	157.1	157.1	165.1	129.7	176.6	93.6	151.0	151.0	157.9	126.8	168.3	90.7	144.5	144.5	148.3	131.4	159.6	87.7
	85	163.7	163.7	165.5	156.7	176.4	121.3	157.5	157.5	158.5	153.6	168.0	118.3	150.7	150.7	151.1	147.0	159.3	115.1
	90	169.8	169.8	170.0	170.0	174.3	155.5	163.1	163.1	163.2	163.2	166.7	150.2	155.9	155.9	156.0	156.0	156.1	156.1
CFM	Ent DB (°F)	Ambient Temperature (°F)						Ambient Temperature (°F)											
		115						125											
		Entering Wet Bulb (°F)						Entering Wet Bulb (°F)											
		61		67		73		61		67		73							
		MBH	SHC	MBH	SHC	MBH	SHC	MBH	SHC	MBH	SHC	MBH	SHC						
4500	75	125.3	114.8	138.3	84.0	148.0	55.0	118.6	109.8	129.6	80.6	138.5	51.7						
	80	129.2	129.2	138.2	105.6	147.8	76.8	122.6	122.6	129.5	102.0	138.4	73.5						
	85	135.5	135.5	138.3	126.8	147.6	98.7	128.3	128.3	129.8	123.3	138.2	95.4						
	90	141.2	141.2	141.4	141.4	147.4	119.9	133.5	133.5	133.6	133.6	136.8	121.4						
5000	75	127.8	118.9	139.6	87.6	149.0	55.7	119.4	119.4	130.8	84.0	139.4	52.4						
	80	132.5	132.5	139.7	110.7	148.8	79.5	125.4	125.4	130.8	107.1	139.2	76.2						
	85	138.7	138.7	140.1	133.9	148.6	103.3	131.1	131.1	131.6	127.2	139.0	99.9						
	90	144.1	144.1	144.2	144.2	147.3	131.4	136.0	136.0	136.1	136.1	138.2	125.1						
5500	75	128.6	128.6	140.9	90.6	149.8	56.4	121.8	121.8	131.9	87.0	140.1	53.1						
	80	135.2	135.2	140.9	115.6	149.6	82.1	127.7	127.7	130.6	117.0	139.9	79.3						
	85	141.3	141.3	141.8	137.4	149.4	107.6	133.3	133.3	133.3	132.1	139.7	104.2						
	90	146.4	146.4	146.5	146.5	148.5	134.9	137.9	137.9	137.9	137.9	138.0	138.0						
6000	75	130.9	130.9	141.9	93.5	150.5	57.1	123.8	123.8	132.8	90.1	140.7	53.8						
	80	137.5	137.5	140.5	126.0	150.3	85.1	129.7	129.7	132.0	120.0	140.5	81.7						
	85	143.4	143.4	143.4	142.1	150.0	111.8	135.1	135.1	135.1	135.1	140.2	108.3						
	90	148.1	148.1	148.2	148.2	148.2	148.2	139.3	139.3	139.3	139.3	139.3	139.3						

**Notes:**

1. All capacities shown are gross and have not considered indoor fan heat. To obtain net cooling, subtract indoor fan heat.
2. MBH = Total Gross Capacity, SHC = Sensible Heat Capacity

**Table 23. Gross cooling capacities (MBH) 15 tons TTA1804\*D condensing unit with 15 tons TWE1804\*B standard/SZVAV/ 2-speed VFD air handler (IP)**

CFM	Ent DB (°F)	Ambient Temperature (°F)						Ambient Temperature (°F)						Ambient Temperature (°F)					
		85						95						105					
		Entering Wet Bulb (°F)						Entering Wet Bulb (°F)						Entering Wet Bulb (°F)					
		61		67		73		61		67		73		61		67		73	
		MBH	SHC	MBH	SHC	MBH	SHC	MBH	SHC	MBH	SHC	MBH	SHC	MBH	SHC	MBH	SHC	MBH	SHC
5400	75	177.2	146.3	193.6	112.5	208.6	77.0	170.1	143.0	185.9	109.4	199.9	73.8	162.5	139.5	177.7	106.0	191.0	70.6
	80	177.0	177.0	193.4	138.9	208.3	103.5	170.9	170.9	185.7	135.7	199.6	100.4	164.4	164.4	177.4	132.3	190.7	97.2
	85	185.5	185.5	193.4	165.0	208.1	130.0	179.3	179.3	185.9	161.8	199.4	126.9	172.5	172.5	177.8	158.4	190.3	123.6
	90	193.6	193.6	193.8	193.8	207.7	156.6	187.2	187.2	187.4	187.4	199.1	153.4	180.2	180.2	180.4	180.4	190.1	150.0
6000	75	180.2	153.8	196.0	116.8	211.3	78.1	172.9	150.4	188.2	113.6	202.0	74.9	165.1	146.7	179.8	110.3	192.6	71.6
	80	182.1	182.1	195.7	146.0	211.0	107.3	175.8	175.8	187.9	142.7	201.7	104.0	169.0	169.0	179.5	139.2	192.3	100.7
	85	190.7	190.7	196.2	174.3	210.8	136.4	184.2	184.2	188.6	171.1	201.5	133.1	177.1	177.1	180.4	167.7	192.0	129.8
	90	198.6	198.6	198.8	198.8	210.6	165.4	191.9	191.9	192.1	192.1	201.3	162.0	184.6	184.6	184.7	184.7	191.9	158.5
6600	75	182.8	161.0	198.0	120.9	213.5	79.3	175.4	157.6	190.1	117.7	203.9	75.9	167.5	153.9	181.5	114.4	194.1	72.5
	80	186.5	186.5	197.7	152.4	213.2	111.0	179.9	179.9	189.8	149.1	203.6	107.6	172.9	172.9	181.3	145.6	193.7	104.2
	85	195.0	195.0	198.6	183.3	213.0	142.6	188.2	188.2	190.9	180.1	203.2	139.7	180.9	180.9	182.6	176.7	193.4	136.1
	90	202.6	202.6	202.8	202.8	213.0	173.9	195.6	195.6	195.8	195.8	203.6	170.4	188.0	188.0	188.1	188.1	193.7	166.9
7200	75	185.0	168.1	199.7	124.9	215.4	80.3	177.6	164.6	191.6	121.7	205.6	77.0	167.6	167.6	182.9	118.4	195.4	73.5
	80	190.2	190.2	199.4	158.6	215.1	114.5	183.4	183.4	191.4	155.4	205.3	111.1	176.2	176.2	182.8	151.9	195.1	107.7
	85	198.5	198.5	200.7	192.1	214.7	148.9	191.6	191.6	192.9	188.9	204.9	145.4	184.0	184.0	184.7	184.7	194.8	141.8
	90	206.4	206.4	206.7	206.7	215.2	182.2	198.9	198.9	199.1	199.1	205.5	178.7	190.8	190.8	191.0	191.0	195.5	175.1
CFM	Ent DB (°F)	Ambient Temperature (°F)						Ambient Temperature (°F)											
		115						125											
		Entering Wet Bulb (°F)						Entering Wet Bulb (°F)											
		61		67		73		61		67		73							
		MBH	SHC	MBH	SHC	MBH	SHC	MBH	SHC	MBH	SHC	MBH	SHC						
5400	75	154.4	135.5	168.8	102.4	181.4	67.2	146.0	131.6	159.2	98.6	170.8	63.6						
	80	157.5	157.5	168.4	128.9	181.0	93.8	150.1	150.1	158.9	124.9	170.5	90.1						
	85	165.3	165.3	169.1	154.7	180.7	120.2	157.4	157.4	159.8	150.8	170.1	116.5						
	90	172.6	172.6	172.8	172.8	180.5	146.5	164.1	164.1	164.3	164.3	170.0	142.6						
6000	75	156.9	142.9	170.7	106.7	182.7	68.1	148.3	138.9	160.9	102.8	172.0	64.5						
	80	161.7	161.7	170.4	135.5	182.4	97.3	153.9	153.9	160.7	131.5	171.6	93.6						
	85	169.5	169.5	171.5	164.0	182.0	126.7	161.2	161.2	162.1	160.1	171.3	122.9						
	90	176.5	176.5	176.6	176.6	181.9	154.9	167.5	167.5	167.6	167.6	171.2	151.0						
6600	75	157.0	157.0	172.3	110.8	183.8	69.0	149.3	149.3	162.3	106.9	172.9	65.4						
	80	165.3	165.3	172.1	141.9	183.5	100.7	157.1	157.1	162.3	137.9	172.5	97.0						
	85	172.9	172.9	173.8	173.0	183.1	132.4	164.2	164.2	164.3	164.3	172.1	128.5						
	90	179.5	179.5	179.6	179.6	183.4	163.1	170.1	170.1	170.1	170.1	171.7	161.8						
7200	75	160.0	160.0	173.5	114.8	184.8	70.0	152.0	152.0	163.3	111.3	173.7	66.3						
	80	168.3	168.3	173.6	148.1	184.5	104.1	159.7	159.7	163.6	144.1	173.2	100.4						
	85	175.7	175.7	175.9	175.9	184.1	138.0	166.6	166.6	166.7	166.7	172.8	134.0						
	90	181.9	181.9	182.0	182.0	182.2	182.2	172.0	172.0	172.1	172.1	172.2	172.2						

**Notes:**

1. All capacities shown are gross and have not considered indoor fan heat. To obtain net cooling, subtract indoor fan heat.
2. MBH = Total Gross Capacity, SHC = Sensible Heat Capacity

**Performance Data**

**Table 24. Gross Cooling Capacities (MBH) one compressor - 15 Tons TTA1804\*C Condensing Unit with 15 Tons TWE1804\*B Standard/SZVAV/2-Speed VFD Air Handler (IP)**

CFM	Ent DB (°F)	Ambient Temperature (°F)						Ambient Temperature (°F)						Ambient Temperature (°F)					
		85						95						105					
		Entering Wet Bulb (°F)						Entering Wet Bulb (°F)						Entering Wet Bulb (°F)					
		61		67		73		61		67		73		61		67		73	
		MBH	SHC	MBH	SHC	MBH	SHC	MBH	SHC	MBH	SHC	MBH	SHC	MBH	SHC	MBH	SHC	MBH	SHC
5400	75	118.4	118.4	129.6	88.3	144.0	54.7	113.1	113.1	122.6	85.7	136.1	52.1	107.9	107.9	115.8	83.1	128.5	49.6
	80	126.3	126.3	130.1	115.4	143.9	82.0	120.6	120.6	123.2	112.8	136.0	79.5	115.0	115.0	115.2	115.2	128.5	77.0
	85	134.3	134.3	134.5	134.5	143.9	109.3	128.3	128.3	128.5	128.5	136.1	106.7	122.4	122.4	122.5	122.5	128.6	104.3
	90	142.4	142.4	142.6	142.6	145.1	136.6	136.1	136.1	136.2	136.2	137.6	134.1	129.9	129.9	130.0	130.0	130.4	130.4
6000	75	121.3	121.3	131.0	92.6	145.4	55.9	115.8	115.8	123.8	90.0	137.3	53.3	110.3	110.3	116.9	87.5	129.6	50.8
	80	129.5	129.5	131.8	122.5	145.3	85.9	123.5	123.5	123.7	123.7	137.3	83.3	117.7	117.7	117.8	117.8	129.6	80.8
	85	137.8	137.8	137.9	137.9	145.4	115.8	131.5	131.5	131.6	131.6	137.5	113.2	125.3	125.3	125.4	125.4	129.9	110.7
	90	146.1	146.1	146.2	146.2	147.2	145.8	139.5	139.5	139.6	139.6	139.8	139.8	132.9	132.9	133.1	133.1	133.2	133.2
6600	75	123.8	123.8	132.2	96.9	146.5	57.0	118.1	118.1	124.9	94.2	138.4	54.4	112.4	112.4	117.8	91.7	130.5	51.9
	80	132.2	132.2	132.4	132.4	146.5	89.5	126.1	126.1	126.2	126.2	138.4	86.9	120.0	120.0	120.1	120.1	130.5	84.4
	85	140.8	140.8	140.9	140.9	146.7	122.1	134.2	134.2	134.3	134.3	138.7	119.5	127.8	127.8	127.9	127.9	131.0	117.0
	90	149.2	149.2	149.3	149.3	149.5	149.5	142.3	142.3	142.4	142.4	142.6	142.6	135.5	135.5	135.7	135.7	135.8	135.8
7200	75	126.0	126.0	133.2	101.0	147.5	58.1	120.0	120.0	125.8	98.3	139.3	55.5	114.2	114.2	118.7	95.8	131.3	52.9
	80	134.6	134.6	134.8	134.8	147.5	93.1	128.2	128.2	128.3	128.3	139.2	90.5	122.0	122.0	122.1	122.1	131.3	88.0
	85	143.3	143.3	143.5	143.5	147.9	128.0	136.6	136.6	136.7	136.7	139.8	125.6	129.9	129.9	130.0	130.0	130.1	130.1
	90	151.8	151.8	151.9	151.9	152.1	152.1	144.7	144.7	144.8	144.8	145.0	145.0	137.8	137.8	137.9	137.9	138.0	138.0
CFM	Ent DB (°F)	Ambient Temperature (°F)						Ambient Temperature (°F)											
		115						125											
		Entering Wet Bulb (°F)						Entering Wet Bulb (°F)											
		61		67		73		61		67		73							
		MBH	SHC	MBH	SHC	MBH	SHC	MBH	SHC	MBH	SHC	MBH	SHC						
5400	75	102.6	102.6	109.1	80.7	121.0	47.2	97.3	97.3	102.5	78.3	113.4	44.8						
	80	109.4	109.4	109.5	109.5	121.0	74.6	103.8	103.8	103.9	103.9	113.4	72.1						
	85	116.5	116.5	116.6	116.6	121.2	101.9	110.4	110.4	110.5	110.5	113.7	99.5						
	90	123.6	123.6	123.7	123.7	123.9	123.9	117.2	117.2	117.3	117.3	117.4	117.4						
6000	75	104.8	104.8	110.1	85.0	122.0	48.3	99.2	99.2	103.4	82.6	114.3	45.9						
	80	111.8	111.8	111.9	111.9	122.0	78.3	105.9	105.9	106.0	106.0	114.3	75.9						
	85	119.1	119.1	119.2	119.2	122.4	108.3	112.7	112.7	112.8	112.8	114.9	105.7						
	90	126.4	126.4	126.5	126.5	126.7	126.7	119.7	119.7	119.8	119.8	119.9	119.9						
6600	75	106.6	106.6	111.0	89.2	122.8	49.4	100.9	100.9	104.2	86.8	115.0	47.0						
	80	113.9	113.9	114.0	114.0	122.8	82.0	107.7	107.7	107.8	107.8	115.0	79.5						
	85	121.4	121.4	121.5	121.5	123.5	114.3	114.8	114.8	114.9	114.9	115.0	115.0						
	90	128.8	128.8	128.9	128.9	129.0	129.0	121.8	121.8	121.9	121.9	121.9	121.9						
7200	75	108.3	108.3	111.7	93.3	123.5	50.5	102.4	102.4	104.9	90.9	115.6	48.0						
	80	115.7	115.7	115.8	115.8	123.5	85.5	109.3	109.3	109.4	109.4	115.6	83.1						
	85	123.3	123.3	123.4	123.4	123.5	123.5	116.5	116.5	116.6	116.6	116.7	116.7						
	90	130.8	130.8	130.9	130.9	131.0	131.0	123.6	123.6	123.7	123.7	123.8	123.8						

**Notes:**

1. All capacities shown are gross and have not considered indoor fan heat. To obtain net cooling, subtract indoor fan heat.
2. MBH = Total Gross Capacity, SHC = Sensible Heat Capacity



**Table 25. Gross cooling capacities (MBH) both compressors - 15 tons TTA1804\*C condensing unit with 15 tons TWE1804\*B standard/SZVAV/2-speed VFD air handler (IP)**

CFM	Ent DB (°F)	Ambient Temperature (°F)						Ambient Temperature (°F)						Ambient Temperature (°F)					
		85						95						105					
		Entering Wet Bulb (°F)						Entering Wet Bulb (°F)						Entering Wet Bulb (°F)					
		61		67		73		61		67		73		61		67		73	
		MBH	SHC	MBH	SHC	MBH	SHC	MBH	SHC	MBH	SHC	MBH	SHC	MBH	SHC	MBH	SHC	MBH	SHC
5400	75	176.9	147.9	195.9	114.3	215.0	79.3	169.0	144.2	187.1	110.7	205.3	75.8	160.8	140.5	177.9	107.0	195.3	72.3
	80	177.9	177.9	196.0	141.5	214.9	106.7	171.2	171.2	187.1	137.8	205.3	103.2	164.3	164.3	177.9	134.1	195.3	99.6
	85	187.6	187.6	196.4	168.7	214.9	133.9	180.7	180.7	187.7	165.1	205.3	130.4	173.5	173.5	178.8	161.4	195.3	126.9
	90	197.4	197.4	198.9	196.4	214.9	161.1	190.2	190.2	190.8	190.8	205.3	157.6	182.7	182.7	182.9	182.9	195.4	154.1
6000	75	180.1	155.8	198.9	118.9	217.6	80.5	172.0	152.1	189.8	115.2	207.8	77.0	163.6	148.3	180.3	111.5	197.5	73.4
	80	183.4	183.4	198.9	148.6	217.6	110.5	176.4	176.4	189.8	145.0	207.7	107.0	169.1	169.1	180.4	141.2	197.5	103.4
	85	193.5	193.5	199.8	178.6	217.6	140.3	186.2	186.2	191.0	174.9	207.7	136.9	178.7	178.7	181.9	171.3	197.5	133.3
	90	203.5	203.5	203.8	203.8	217.6	170.3	196.0	196.0	196.2	196.2	207.8	166.8	188.1	188.1	188.3	188.3	197.7	163.2
6600	75	183.0	163.5	201.4	123.3	219.8	81.6	174.7	159.8	192.0	119.6	209.7	78.1	163.5	163.5	182.4	115.8	199.3	74.5
	80	188.2	188.2	201.4	155.5	219.8	114.1	180.9	180.9	192.0	151.9	209.7	110.6	173.3	173.3	182.5	148.1	199.3	107.1
	85	198.6	198.6	202.9	188.1	219.7	146.6	191.0	191.0	193.9	184.5	209.7	143.1	183.1	183.1	184.7	180.9	199.2	139.5
	90	208.7	208.7	209.0	209.0	220.0	179.0	200.8	200.8	201.0	201.0	210.1	175.5	192.6	192.6	192.8	192.8	199.8	172.0
7200	75	185.5	170.8	203.4	127.4	221.6	82.6	174.5	174.5	193.9	123.7	211.4	79.1	166.9	166.9	184.1	120.0	200.8	75.5
	80	192.5	192.5	203.5	162.2	221.5	117.7	184.9	184.9	194.1	158.6	211.3	114.2	177.0	177.0	184.4	154.9	200.7	110.6
	85	203.0	203.0	205.6	197.4	221.5	152.6	195.1	195.1	196.6	193.9	211.3	149.1	186.9	186.9	187.5	187.5	200.7	145.5
	90	213.2	213.2	213.4	213.4	222.0	187.5	205.0	205.0	205.2	205.2	212.0	184.0	196.4	196.4	196.5	196.5	201.6	180.5
CFM	Ent DB (°F)	Ambient Temperature (°F)						Ambient Temperature (°F)											
		115						125											
		Entering Wet Bulb (°F)						Entering Wet Bulb (°F)											
		61		67		73		61		67		73							
		MBH	SHC	MBH	SHC	MBH	SHC	MBH	SHC	MBH	SHC	MBH	SHC						
5400	75	152.3	136.6	168.3	103.2	184.9	68.6	144.1	133.1	158.3	99.2	173.6	64.7						
	80	157.0	157.0	168.4	130.3	184.8	96.0	149.6	149.6	158.3	126.4	173.6	92.1						
	85	165.9	165.9	169.5	157.7	184.8	123.2	157.8	157.8	159.9	153.8	173.6	119.3						
	90	174.8	174.8	175.1	175.1	185.0	150.5	166.3	166.3	166.5	166.5	173.9	146.6						
6000	75	154.9	144.4	170.5	107.7	186.8	69.7	145.0	145.0	160.2	103.7	175.3	65.8						
	80	161.5	161.5	170.7	137.4	186.8	99.7	153.5	153.5	160.4	133.5	175.3	95.8						
	85	170.7	170.7	172.5	167.5	186.8	129.6	162.1	162.1	162.8	162.8	175.3	125.7						
	90	179.7	179.7	179.9	179.9	187.3	159.5	170.7	170.7	170.8	170.8	175.9	155.6						
6600	75	155.8	155.8	172.4	111.9	188.4	70.8	148.2	148.2	161.8	107.9	176.7	66.9						
	80	165.3	165.3	172.7	144.3	188.4	103.4	156.8	156.8	162.3	140.4	176.7	99.4						
	85	174.7	174.7	175.4	175.4	188.4	135.8	165.8	165.8	165.9	165.9	176.7	131.9						
	90	183.8	183.8	184.0	184.0	189.2	168.3	174.3	174.3	174.5	174.5	177.7	164.3						
7200	75	159.0	159.0	173.9	116.1	189.8	71.9	150.9	150.9	163.1	112.0	177.8	67.9						
	80	168.7	168.7	174.4	151.0	189.7	106.9	159.9	159.9	163.9	147.1	177.8	103.0						
	85	178.2	178.2	178.3	178.3	189.7	141.8	168.9	168.9	169.0	169.0	177.8	137.9						
	90	187.3	187.3	187.5	187.5	190.9	176.8	177.3	177.3	177.5	177.5	179.3	172.8						

**Notes:**

1. All capacities shown are gross and have not considered indoor fan heat. To obtain net cooling, subtract indoor fan heat.
2. MBH = Total Gross Capacity, SHC = Sensible Heat Capacity

**Performance Data**

**Table 26. Gross cooling capacities (MBH) 15 tons TTA1804\*D condensing unit with 20 tons TWE2404\*B standard/ SZVAV/ 2-speed VFD air handler (IP)**

CFM	Ent DB (°F)	Ambient Temperature (°F)						Ambient Temperature (°F)						Ambient Temperature (°F)					
		85						95						105					
		Entering Wet Bulb (°F)						Entering Wet Bulb (°F)						Entering Wet Bulb (°F)					
		61		67		73		61		67		73		61		67		73	
		MBH	SHC	MBH	SHC	MBH	SHC	MBH	SHC	MBH	SHC	MBH	SHC	MBH	SHC	MBH	SHC	MBH	SHC
6400	75	184.8	156.3	201.7	119.2	217.4	80.4	177.2	152.8	193.6	115.9	208.0	77.0	169.0	149.0	184.8	112.4	198.2	73.5
	80	186.2	186.2	201.4	148.4	217.1	109.6	179.8	179.8	193.3	145.1	207.6	106.2	172.8	172.8	184.5	141.5	197.9	102.8
	85	195.1	195.1	201.2	176.9	216.7	138.7	188.5	188.5	193.3	173.6	207.3	135.7	181.2	181.2	184.7	170.1	197.5	132.4
	90	203.5	203.5	203.6	203.6	216.4	167.8	196.5	196.5	196.7	196.7	206.9	164.3	189.0	189.0	189.2	189.2	197.2	160.8
6700	75	186.0	159.5	202.7	121.1	218.5	80.9	178.2	155.9	194.5	117.7	208.8	77.4	165.9	165.9	185.7	114.2	199.0	74.0
	80	188.4	188.4	202.4	151.3	218.2	111.2	181.8	181.8	194.2	148.0	208.5	107.7	174.7	174.7	185.4	144.3	198.6	104.3
	85	197.2	197.2	202.4	180.9	217.8	141.7	190.5	190.5	194.4	177.6	208.0	138.5	183.1	183.1	185.8	174.1	198.2	135.0
	90	205.5	205.5	205.7	205.7	217.5	171.6	198.4	198.4	198.6	198.6	207.8	168.0	190.7	190.7	190.9	190.9	197.9	164.4
7000	75	184.8	169.8	203.7	122.8	219.6	81.4	174.6	174.6	195.4	119.5	209.8	77.9	167.6	167.6	186.5	116.0	199.6	74.4
	80	190.3	190.3	203.3	154.1	219.2	112.8	183.7	183.7	195.1	150.8	209.4	109.3	176.4	176.4	186.2	147.1	199.3	105.8
	85	199.2	199.2	203.5	184.8	218.7	144.6	192.3	192.3	195.4	181.5	208.9	141.1	184.8	184.8	186.8	178.0	198.9	137.5
	90	207.3	207.3	207.5	207.5	218.6	175.2	200.2	200.2	200.3	200.3	208.7	171.7	192.3	192.3	192.4	192.4	198.6	168.0
7300	75	182.9	182.9	204.5	124.6	220.5	81.8	176.3	176.3	196.2	121.3	210.6	78.4	169.2	169.2	187.2	117.7	200.2	74.8
	80	192.2	192.2	204.2	156.9	220.2	114.3	185.4	185.4	195.9	153.5	210.2	110.8	178.0	178.0	186.9	150.0	199.9	107.3
	85	201.0	201.0	204.5	188.7	219.7	147.2	194.0	194.0	196.4	185.4	209.8	143.6	186.4	186.4	187.8	181.9	199.5	139.9
	90	209.0	209.0	209.1	209.1	219.5	178.8	201.7	201.7	201.8	201.8	206.4	185.3	193.7	193.7	193.8	193.8	194.0	194.0
CFM	Ent DB (°F)	Ambient Temperature (°F)						Ambient Temperature (°F)											
		115						125											
		Entering Wet Bulb (°F)						Entering Wet Bulb (°F)											
		61		67		73		61		67		73							
		MBH	SHC	MBH	SHC	MBH	SHC	MBH	SHC	MBH	SHC	MBH	SHC						
6400	75	157.0	157.0	175.4	108.6	187.8	69.9	149.4	149.4	165.3	104.7	176.7	66.1						
	80	165.4	165.4	175.1	137.6	187.5	99.1	157.4	157.4	165.0	133.6	176.3	95.3						
	85	173.4	173.4	175.6	166.3	187.2	128.7	164.9	164.9	165.9	162.3	175.9	124.7						
	90	180.7	180.7	180.9	180.9	184.9	165.8	171.5	171.5	171.6	171.6	174.5	158.9						
6700	75	158.6	158.6	176.2	110.5	188.4	70.3	150.9	150.9	166.0	106.5	177.1	66.4						
	80	167.1	167.1	175.9	140.5	188.0	100.6	158.9	158.9	165.6	136.4	176.7	96.8						
	85	175.1	175.1	176.6	170.3	187.7	131.2	166.3	166.3	166.9	166.0	176.4	127.2						
	90	182.3	182.3	182.4	182.4	185.8	168.1	172.8	172.8	172.9	172.9	173.0	173.0						
7000	75	160.2	160.2	176.9	112.2	189.0	70.7	152.3	152.3	166.5	108.5	177.5	66.8						
	80	168.7	168.7	176.6	143.4	188.6	102.1	160.3	160.3	166.3	139.2	177.1	98.2						
	85	176.6	176.6	177.6	174.3	188.2	133.7	167.7	167.7	167.9	167.9	176.7	129.7						
	90	183.6	183.6	183.7	183.7	183.9	183.9	173.6	173.6	174.0	174.0	174.1	174.1						
7300	75	161.7	161.7	177.5	114.3	189.5	71.1	153.7	153.7	167.1	110.5	177.8	67.2						
	80	170.2	170.2	177.3	146.1	189.1	103.6	161.6	161.6	165.1	149.4	177.4	99.7						
	85	178.1	178.1	178.6	177.9	188.7	136.1	168.9	168.9	169.0	169.0	177.0	132.1						
	90	184.9	184.9	185.0	185.0	185.1	185.1	175.0	175.0	175.0	175.0	175.1	175.1						

**Notes:**

1. All capacities shown are gross and have not considered indoor fan heat. To obtain net cooling, subtract indoor fan heat.
2. MBH = Total Gross Capacity, SHC = Sensible Heat Capacity

**Table 27. Gross cooling capacities (MBH) 20 tons TTA2404\*D condensing unit with 20 tons TWE2404\*B standard/SZVAV/ 2-speed VFD air handler (IP)**

CFM	Ent DB (°F)	Ambient Temperature (°F)						Ambient Temperature (°F)						Ambient Temperature (°F)					
		85						95						105					
		Entering Wet Bulb (°F)						Entering Wet Bulb (°F)						Entering Wet Bulb (°F)					
		61		67		73		61		67		73		61		67		73	
		MBH	SHC	MBH	SHC	MBH	SHC	MBH	SHC	MBH	SHC	MBH	SHC	MBH	SHC	MBH	SHC	MBH	SHC
7200	75	236.4	193.6	259.8	150.0	281.4	104.0	226.1	188.7	248.8	145.5	269.4	99.6	214.8	183.3	236.4	140.4	255.9	94.7
	80	235.2	235.2	259.3	184.6	280.8	138.6	226.7	226.7	248.1	180.3	268.8	134.2	217.2	217.2	235.8	175.1	255.3	129.3
	85	246.9	246.9	259.0	218.4	280.3	173.0	238.2	238.2	248.2	213.8	268.3	168.7	228.3	228.3	236.0	208.6	254.7	163.8
	90	258.2	258.2	258.5	258.5	279.7	207.9	249.2	249.2	249.5	249.5	267.7	203.3	238.8	238.8	239.1	239.1	254.1	198.2
8000	75	240.4	202.9	263.4	155.4	284.6	105.3	227.0	205.6	252.1	150.8	272.3	100.9	216.3	197.8	239.4	145.7	258.3	96.0
	80	242.2	242.2	262.8	193.3	284.0	143.1	233.3	233.3	251.5	188.6	271.7	138.7	223.3	223.3	238.8	183.3	257.7	133.7
	85	254.0	254.0	263.0	230.0	283.5	180.8	244.8	244.8	252.0	225.3	271.1	176.7	234.4	234.4	239.6	220.1	257.0	171.7
	90	265.3	265.3	265.5	265.5	283.0	218.4	255.8	255.8	256.0	256.0	270.6	213.8	244.9	244.9	245.1	245.1	256.6	208.7
8800	75	241.1	219.3	266.3	160.6	287.4	106.6	231.2	212.2	254.9	156.0	274.7	102.2	220.2	204.4	241.9	150.9	260.4	97.2
	80	248.1	248.1	265.8	201.3	286.8	147.5	238.8	238.8	254.3	196.5	274.0	143.0	228.5	228.5	241.4	191.2	259.7	138.1
	85	260.0	260.0	266.5	241.1	286.1	188.5	250.4	250.4	255.4	236.5	273.4	184.6	239.6	239.6	242.8	231.2	259.0	179.4
	90	271.1	271.1	271.3	271.3	285.7	228.6	261.2	261.2	261.4	261.4	269.4	236.2	249.7	249.7	249.9	249.9	256.3	227.5
9600	75	245.0	225.6	268.8	165.5	289.6	107.8	231.4	231.4	257.2	160.9	276.7	103.4	221.1	221.1	243.9	156.2	262.1	98.4
	80	253.1	253.1	268.2	208.9	289.0	151.7	243.6	243.6	256.6	204.2	276.1	147.2	232.9	232.9	240.0	211.0	261.4	142.2
	85	265.0	265.0	269.5	251.8	288.3	196.1	255.2	255.2	258.3	247.2	275.4	191.5	243.9	243.9	245.7	238.5	260.8	186.2
	90	276.0	276.0	276.2	276.2	284.4	250.8	265.7	265.7	265.9	265.9	272.6	243.0	253.8	253.8	253.9	253.9	259.2	234.2
CFM	Ent DB (°F)	Ambient Temperature (°F)						Ambient Temperature (°F)											
		115						125											
		Entering Wet Bulb (°F)						Entering Wet Bulb (°F)											
		61		67		73		61		67		73							
		MBH	SHC	MBH	SHC	MBH	SHC	MBH	SHC	MBH	SHC	MBH	SHC						
7200	75	201.1	183.0	223.1	135.0	241.0	89.5	190.4	175.1	209.2	129.5	225.0	83.9						
	80	207.2	207.2	222.5	169.5	240.4	124.1	196.7	196.7	208.6	163.7	224.4	118.5						
	85	217.6	217.6	223.1	203.1	239.8	158.9	206.2	206.2	209.5	197.4	223.6	153.6						
	90	227.5	227.5	227.7	227.7	239.2	192.7	215.0	215.0	215.2	215.2	221.1	194.6						
8000	75	205.2	189.8	225.8	140.3	243.0	90.7	191.6	191.6	211.4	134.7	226.6	85.1						
	80	212.7	212.7	225.2	177.7	242.4	128.4	201.5	201.5	210.9	171.8	225.9	122.8						
	85	223.2	223.2	226.4	214.6	241.7	166.7	211.0	211.0	212.5	205.0	225.2	160.8						
	90	232.7	232.7	232.9	232.9	239.1	211.3	219.4	219.4	219.5	219.5	223.7	201.0						
8800	75	206.3	206.3	227.9	145.4	244.7	91.9	195.5	195.5	213.0	140.5	227.9	86.2						
	80	217.4	217.4	227.4	185.5	244.1	132.7	205.6	205.6	210.7	187.3	227.2	127.0						
	85	227.7	227.7	229.4	222.1	243.4	173.7	214.8	214.8	215.5	211.6	226.5	167.7						
	90	237.0	237.0	237.1	237.1	241.9	218.0	222.8	222.8	222.9	222.9	223.0	223.0						
9600	75	210.3	210.3	229.5	151.1	246.2	93.0	198.9	198.9	214.6	145.1	229.1	87.3						
	80	221.3	221.3	227.0	201.9	245.5	136.8	209.0	209.0	213.0	192.3	228.3	131.1						
	85	231.5	231.5	232.3	228.2	244.8	180.5	218.0	218.0	218.2	218.2	227.6	174.4						
	90	240.5	240.5	240.6	240.6	240.8	240.8	225.7	225.7	225.8	225.8	225.9	225.9						

**Notes:**

- All capacities shown are gross and have not considered indoor fan heat. To obtain net cooling, subtract indoor fan heat.
- MBH = Total Gross Capacity, SHC = Sensible Heat Capacity

**Performance Data**

**Table 28. Gross cooling capacities (MBH) one compressor - 20 tons TTA2404\*C condensing unit with 20 tons TWE2404\*B standard/SZVAV/2-speed VFD air handler (IP)**

CFM	Ent DB (°F)	Ambient Temperature (°F)						Ambient Temperature (°F)						Ambient Temperature (°F)					
		85						95						105					
		Entering Wet Bulb (°F)						Entering Wet Bulb (°F)						Entering Wet Bulb (°F)					
		61		67		73		61		67		73		61		67		73	
		MBH	SHC	MBH	SHC	MBH	SHC	MBH	SHC	MBH	SHC	MBH	SHC	MBH	SHC	MBH	SHC	MBH	SHC
7200	75	151.0	151.0	167.4	109.2	183.4	69.0	145.5	145.5	160.0	106.4	175.4	66.3	139.1	139.1	151.7	103.2	166.3	63.3
	80	160.6	160.6	167.5	140.6	183.3	100.9	154.7	154.7	160.2	137.7	175.4	98.2	148.0	148.0	148.1	148.1	#N/A	#N/A
	85	170.1	170.1	170.1	170.1	183.3	132.7	163.9	163.9	163.9	163.9	175.4	130.0	156.8	156.8	156.9	156.9	166.3	127.0
	90	179.1	179.1	179.3	179.3	183.5	164.0	172.6	172.6	172.7	172.7	175.8	161.2	165.1	165.1	165.2	165.2	167.0	158.1
8000	75	154.6	154.6	169.2	113.8	184.8	70.1	148.8	148.8	161.7	111.0	176.7	67.4	142.1	142.1	153.2	107.8	167.5	64.4
	80	164.4	164.4	164.5	164.5	184.7	104.8	158.3	158.3	158.4	158.4	176.6	102.1	151.2	151.2	151.3	151.3	167.4	99.1
	85	174.0	174.0	174.2	174.2	184.6	139.4	167.6	167.6	167.7	167.7	176.6	136.7	160.2	160.2	160.3	160.3	167.4	133.6
	90	182.8	182.8	182.9	182.9	185.2	173.2	176.0	176.0	176.1	176.1	177.4	170.4	168.1	168.1	168.1	168.1	168.6	167.4
8800	75	157.7	157.7	170.7	118.3	185.9	71.2	151.7	151.7	163.1	115.4	177.7	68.5	144.8	144.8	154.4	112.2	168.4	65.5
	80	167.7	167.7	167.8	167.8	185.8	108.5	161.3	161.3	161.4	161.4	177.6	105.8	154.0	154.0	154.1	154.1	168.4	102.8
	85	177.3	177.3	177.4	177.4	185.7	145.7	170.6	170.6	170.7	170.7	177.6	143.0	162.9	162.9	163.0	163.0	168.3	140.0
	90	185.6	185.6	185.7	185.7	186.6	182.0	178.5	178.5	178.6	178.6	178.8	178.8	170.2	170.2	170.3	170.3	170.2	170.2
9600	75	160.3	160.3	172.0	122.5	186.8	72.2	154.1	154.1	164.3	119.6	178.5	69.5	147.0	147.0	155.5	116.4	169.2	66.5
	80	170.5	170.5	170.6	170.6	186.7	112.1	164.0	164.0	164.0	164.0	178.5	109.4	156.4	156.4	156.5	156.5	169.1	106.4
	85	180.0	180.0	180.1	180.1	186.6	151.8	173.1	173.1	173.2	173.2	173.3	173.3	165.2	165.2	165.3	165.3	165.3	165.3
	90	187.8	187.8	187.8	187.8	187.9	187.9	180.3	180.3	180.4	180.4	180.3	180.3	171.6	171.6	171.6	171.6	171.7	171.7
CFM	Ent DB (°F)	Ambient Temperature (°F)						Ambient Temperature (°F)											
		115						125											
		Entering Wet Bulb (°F)						Entering Wet Bulb (°F)											
		61		67		73		61		67		73							
		MBH	SHC	MBH	SHC	MBH	SHC	MBH	SHC	MBH	SHC	MBH	SHC						
7200	75	132.1	132.1	142.6	99.8	156.3	59.9	125.3	125.3	133.6	96.4	145.8	56.5						
	80	140.5	140.5	140.6	140.6	156.3	91.9	132.9	132.9	133.0	133.0	145.8	88.4						
	85	148.9	148.9	149.0	149.0	156.3	123.7	140.6	140.6	140.7	140.7	145.8	119.8						
	90	156.6	156.6	156.7	156.7	157.3	154.7	147.3	147.3	147.4	147.4	147.3	147.3						
8000	75	134.9	134.9	144.0	104.4	157.3	61.1	127.7	127.7	134.6	100.9	146.6	57.6						
	80	143.5	143.5	143.6	143.6	157.3	95.7	135.4	135.4	135.5	135.5	146.6	92.3						
	85	151.9	151.9	152.0	152.0	157.3	130.3	143.1	143.1	143.2	143.2	143.3	143.3						
	90	159.0	159.0	159.1	159.1	159.0	159.0	149.1	149.1	149.1	149.1	149.1	149.1						
8800	75	137.2	137.2	145.1	108.7	158.1	62.1	129.7	129.7	135.5	105.2	147.3	58.7						
	80	146.0	146.0	146.1	146.1	158.1	99.5	137.6	137.6	137.7	137.7	147.3	96.0						
	85	154.3	154.3	154.4	154.4	154.5	154.5	145.2	145.2	145.2	145.2	145.3	145.3						
	90	160.7	160.7	160.7	160.7	160.7	160.7	149.9	149.9	149.9	149.9	149.9	149.9						
9600	75	139.2	139.2	146.0	112.9	158.8	63.2	131.4	131.4	136.3	109.4	147.9	59.7						
	80	148.2	148.2	148.2	148.2	158.7	103.0	139.5	139.5	139.6	139.6	147.8	99.6						
	85	156.3	156.3	156.4	156.4	156.4	156.4	146.8	146.8	146.8	146.8	146.8	146.8						
	90	161.5	161.5	161.5	161.5	161.5	161.5	149.9	149.9	149.9	149.9	149.8	149.8						

**Notes:**

1. All capacities shown are gross and have not considered indoor fan heat. To obtain net cooling, subtract indoor fan heat.
2. MBH = Total Gross Capacity, SHC = Sensible Heat Capacity

**Table 29. Gross cooling capacities (MBH) both compressors - 20 tons TTA2404\*C condensing unit with 20 tons TWE2404\*B standard/SZVAV/2-speed VFD air handler (IP)**

CFM	Ent DB (°F)	Ambient Temperature (°F)						Ambient Temperature (°F)						Ambient Temperature (°F)					
		85						95						105					
		Entering Wet Bulb (°F)						Entering Wet Bulb (°F)						Entering Wet Bulb (°F)					
		61		67		73		61		67		73		61		67		73	
		MBH	SHC	MBH	SHC	MBH	SHC	MBH	SHC	MBH	SHC	MBH	SHC	MBH	SHC	MBH	SHC	MBH	SHC
7200	75	242.4	190.2	266.3	149.4	286.5	105.8	232.3	184.9	254.7	144.4	272.3	100.4	220.7	179.6	241.4	138.8	256.4	94.5
	80	237.6	237.6	266.3	181.1	286.4	137.7	229.3	229.3	254.6	176.1	272.2	132.4	219.9	219.9	241.4	170.5	256.3	126.5
	85	249.6	249.6	266.2	213.0	286.3	169.6	240.9	240.9	254.6	207.9	272.1	164.2	230.8	230.8	241.4	202.2	256.2	158.3
	90	261.2	261.2	266.9	244.2	286.1	202.2	251.8	251.8	255.6	239.2	271.9	196.7	241.0	241.0	242.9	233.6	256.1	190.6
8000	75	246.9	198.3	270.0	154.1	290.1	107.0	236.1	193.4	257.9	149.0	275.1	101.5	224.3	187.6	244.2	143.3	258.5	95.5
	80	244.7	244.7	269.9	188.5	290.0	141.7	236.0	236.0	257.8	183.4	275.1	136.2	225.9	225.9	244.1	177.7	258.4	130.2
	85	256.9	256.9	269.9	223.0	289.9	176.3	247.6	247.6	257.8	217.8	275.0	170.8	236.8	236.8	244.2	212.0	258.4	164.7
	90	268.3	268.3	271.3	257.1	289.7	211.4	258.2	258.2	259.7	252.1	274.8	205.8	246.4	246.4	246.6	246.4	258.3	199.6
8800	75	250.4	206.4	272.9	158.5	292.9	108.1	239.5	201.1	260.5	153.3	277.4	102.5	227.1	195.5	246.3	147.5	260.4	96.4
	80	250.9	250.9	272.9	195.6	292.8	145.5	241.6	241.6	260.4	190.4	277.3	139.8	231.1	231.1	246.3	184.6	260.3	133.8
	85	263.0	263.0	272.8	232.5	292.7	182.7	253.1	253.1	260.5	227.2	277.2	177.1	241.7	241.7	246.6	221.3	260.2	171.0
	90	274.1	274.1	275.1	269.5	292.6	220.3	263.2	263.2	263.3	263.3	277.1	214.5	250.4	250.4	250.1	250.1	260.1	208.3
9600	75	253.5	213.9	275.3	162.7	295.2	109.2	234.2	234.2	262.5	157.4	279.4	103.5	223.9	223.9	248.0	151.6	261.9	97.4
	80	256.2	256.2	275.2	202.3	295.1	149.1	246.5	246.5	262.5	197.0	279.4	143.4	235.4	235.4	248.0	191.2	261.8	137.3
	85	268.2	268.2	275.4	241.6	295.1	188.8	257.7	257.7	262.8	236.3	279.3	183.2	245.6	245.6	248.5	230.3	261.8	177.0
	90	278.6	278.6	278.6	278.6	295.0	228.8	267.0	267.0	266.7	266.7	279.2	223.0	253.1	253.1	253.2	253.2	261.7	216.6
CFM	Ent DB (°F)	Ambient Temperature (°F)						Ambient Temperature (°F)											
		115						125											
		Entering Wet Bulb (°F)						Entering Wet Bulb (°F)											
		61		67		73		61		67		73							
		MBH	SHC	MBH	SHC	MBH	SHC	MBH	SHC	MBH	SHC	MBH	SHC						
7200	75	208.6	173.7	227.2	132.8	239.2	88.3	196.5	168.1	212.6	126.9	221.2	81.9						
	80	209.7	209.7	227.1	164.5	239.1	120.2	199.3	199.3	212.6	158.6	221.2	113.8						
	85	219.9	219.9	227.2	196.1	239.0	152.0	208.4	208.4	212.8	190.0	221.1	145.6						
	90	228.8	228.8	229.2	227.7	239.0	184.2	215.6	215.6	215.3	215.3	221.0	177.6						
8000	75	211.6	181.8	229.4	137.2	240.6	89.1	194.2	194.2	214.3	131.2	222.2	82.7						
	80	215.1	215.1	229.4	171.7	240.5	123.8	204.0	204.0	214.2	165.6	222.2	117.4						
	85	225.0	225.0	229.6	205.8	240.4	158.3	212.4	212.4	214.7	199.6	222.1	151.9						
	90	233.0	233.0	232.7	232.7	240.4	193.0	218.0	218.0	218.0	218.0	222.0	186.3						
8800	75	208.9	208.9	231.1	141.4	242.0	90.0	198.1	198.1	215.5	135.3	223.0	83.4						
	80	219.6	219.6	231.1	178.5	242.0	127.4	207.7	207.7	215.5	172.3	222.9	120.8						
	85	229.0	229.0	231.6	215.1	241.9	164.6	215.3	215.3	216.2	208.7	222.8	158.0						
	90	235.6	235.6	235.6	235.6	241.9	201.6	219.8	219.8	219.9	219.9	222.8	194.8						
9600	75	212.8	212.8	232.4	145.4	243.1	90.9	201.5	201.5	216.5	139.2	223.5	84.2						
	80	223.3	223.3	232.4	185.0	243.0	130.8	210.7	210.7	216.4	178.8	223.5	124.1						
	85	232.0	232.0	233.2	224.0	242.9	170.5	217.3	217.3	217.3	217.3	223.3	163.8						
	90	238.1	238.1	238.2	238.2	243.0	209.9	221.6	221.6	221.6	221.6	223.3	202.9						

Notes:

1. All capacities shown are gross and have not considered indoor fan heat. To obtain net cooling, subtract indoor fan heat.
2. MBH = Total Gross Capacity, SHC = Sensible Heat Capacity

**Performance Data**

**Table 30. Gross cooling capacities (MBH) one compressor - 25 tons TTA3004\*C condensing unit with 25 tons TWE3004\*B standard/SZVAV/2-speed VFD air handler (IP)**

CFM	Ent DB (°F)	Ambient Temperature (°F)						Ambient Temperature (°F)						Ambient Temperature (°F)					
		85						95						105					
		Entering Wet Bulb (°F)						Entering Wet Bulb (°F)						Entering Wet Bulb (°F)					
		61		67		73		61		67		73		61		67		73	
		MBH	SHC	MBH	SHC	MBH	SHC	MBH	SHC	MBH	SHC	MBH	SHC	MBH	SHC	MBH	SHC	MBH	SHC
8750	75	180.6	180.6	198.5	132.7	218.6	82.7	174.0	174.0	189.8	129.4	209.0	79.4	166.4	166.4	179.9	125.7	198.2	75.8
	80	191.6	191.6	197.9	171.9	217.7	122.6	184.5	184.5	184.7	184.7	208.2	119.4	176.5	176.5	176.6	176.6	197.3	115.7
	85	202.6	202.6	202.8	202.8	216.9	162.4	195.2	195.2	195.3	195.3	207.4	159.2	186.6	186.6	186.8	186.8	196.6	155.6
	90	213.3	213.3	213.4	213.4	217.0	201.6	205.4	205.4	205.6	205.6	207.8	198.4	196.4	196.4	196.5	196.5	197.5	194.7
10000	75	185.9	185.9	201.1	140.3	220.8	84.6	178.8	178.8	192.2	136.9	211.1	81.4	170.9	170.9	182.1	133.2	200.0	77.7
	80	197.2	197.2	197.4	197.4	220.0	129.1	189.8	189.8	189.9	189.9	210.2	125.8	181.3	181.3	181.4	181.4	199.2	122.2
	85	208.5	208.5	208.6	208.6	219.2	173.4	200.6	200.6	200.8	200.8	209.4	170.1	191.7	191.7	191.8	191.8	198.5	165.9
	90	219.0	219.0	219.1	219.1	220.1	217.0	210.6	210.6	210.7	210.7	210.9	210.9	201.0	201.0	201.1	201.1	201.1	201.1
11000	75	189.4	189.4	202.8	146.1	222.2	86.0	182.2	182.2	193.8	142.7	212.4	82.8	173.8	173.8	183.5	138.9	201.2	79.2
	80	201.0	201.0	201.1	201.1	221.4	134.0	193.3	193.3	193.5	193.5	211.5	130.7	184.5	184.5	184.6	184.6	200.4	127.1
	85	212.3	212.3	212.5	212.5	220.6	181.7	204.2	204.2	204.3	204.3	204.5	204.5	194.9	194.9	195.0	195.0	195.1	195.1
	90	222.4	222.4	222.5	222.5	222.5	222.5	213.7	213.7	213.8	213.8	213.9	213.9	203.7	203.7	203.8	203.8	203.8	203.8
12000	75	192.5	192.5	204.3	151.6	223.4	87.4	185.0	185.0	195.1	148.2	213.5	84.2	176.5	176.5	184.7	144.4	202.2	80.6
	80	204.3	204.3	204.4	204.4	222.5	138.7	196.4	196.4	196.5	196.5	212.6	135.5	187.3	187.3	187.4	187.4	201.4	131.8
	85	215.6	215.6	215.7	215.7	215.8	215.8	207.2	207.2	207.3	207.3	207.4	207.4	197.6	197.6	197.7	197.7	197.8	197.8
	90	225.1	225.1	225.2	225.2	225.3	225.3	216.1	216.1	216.1	216.1	216.2	216.2	205.6	205.6	205.6	205.6	205.6	205.6
CFM	Ent DB (°F)	Ambient Temperature (°F)						Ambient Temperature (°F)											
		115						125											
		Entering Wet Bulb (°F)						Entering Wet Bulb (°F)											
		61		67		73		61		67		73							
		MBH	SHC	MBH	SHC	MBH	SHC	MBH	SHC	MBH	SHC	MBH	SHC						
8750	75	158.2	158.2	169.5	121.7	186.3	71.9	150.8	150.8	159.6	118.1	174.4	68.0						
	80	167.7	167.7	167.9	167.9	185.5	111.8	159.3	159.3	159.4	159.4	173.6	107.9						
	85	177.3	177.3	177.4	177.4	184.8	151.7	167.7	167.7	167.8	167.8	172.9	147.2						
	90	186.3	186.3	186.4	186.4	186.5	186.5	175.6	175.6	175.7	175.7	175.8	175.8						
10000	75	162.3	162.3	171.3	129.2	188.0	73.8	154.3	154.3	161.2	125.5	175.8	69.9						
	80	172.0	172.0	172.1	172.1	187.2	118.3	163.0	163.0	163.0	163.0	175.0	114.3						
	85	181.8	181.8	181.9	181.9	182.0	182.0	171.6	171.6	171.7	171.7	171.8	171.8						
	90	190.2	190.2	190.3	190.3	190.3	190.3	178.5	178.5	178.5	178.5	178.5	178.5						
11000	75	165.0	165.0	172.5	134.9	189.0	75.2	156.6	156.6	162.2	131.1	176.6	71.3						
	80	174.9	174.9	175.0	175.0	188.2	123.2	165.3	165.3	165.4	165.4	175.8	119.2						
	85	184.7	184.7	184.7	184.7	184.8	184.8	174.0	174.0	174.0	174.0	174.1	174.1						
	90	192.3	192.3	192.3	192.3	192.3	192.3	179.7	179.7	179.6	179.6	179.6	179.6						
12000	75	167.3	167.3	173.6	140.3	189.9	76.6	158.6	158.6	163.0	136.5	177.3	72.6						
	80	177.4	177.4	177.5	177.5	189.0	127.9	167.4	167.4	167.5	167.5	176.5	123.9						
	85	187.0	187.0	187.1	187.1	187.2	187.2	175.9	175.9	175.9	175.9	176.0	176.0						
	90	193.5	193.5	193.5	193.5	193.4	193.4	179.8	179.8	179.8	179.8	179.7	179.7						

**Notes:**

1. All capacities shown are gross and have not considered indoor fan heat. To obtain net cooling, subtract indoor fan heat.
2. MBH = Total Gross Capacity, SHC = Sensible Heat Capacity

**Table 31. Gross cooling capacities (MBH) both compressors- 25 tons TTA3004\*C condensing unit with 25 tons TWE3004\*B standard/SZVAV/2-speed VFD air handler (IP)**

CFM	Ent DB (°F)	Ambient Temperature (°F)						Ambient Temperature (°F)						Ambient Temperature (°F)					
		85						95						105					
		Entering Wet Bulb (°F)						Entering Wet Bulb (°F)						Entering Wet Bulb (°F)					
		61		67		73		61		67		73		61		67		73	
		MBH	SHC	MBH	SHC	MBH	SHC	MBH	SHC	MBH	SHC	MBH	SHC	MBH	SHC	MBH	SHC	MBH	SHC
8750	75	292.2	232.5	322.0	182.3	347.6	128.1	279.5	226.4	307.6	176.1	330.7	121.8	265.6	220.0	291.7	169.5	311.9	114.9
	80	287.5	287.5	321.3	221.9	346.8	168.1	277.2	277.2	306.8	215.7	330.0	161.8	265.8	265.8	291.0	209.1	311.1	154.8
	85	301.9	301.9	320.5	261.6	346.0	207.9	291.0	291.0	306.1	255.3	329.2	201.6	278.9	278.9	290.3	248.5	310.3	194.6
	90	316.0	316.0	321.3	300.9	345.2	248.4	304.4	304.4	307.5	294.8	328.3	241.9	291.3	291.3	292.4	288.3	309.5	234.8
10000	75	298.7	246.3	327.9	190.1	351.2	129.5	285.3	240.0	312.8	183.8	333.6	123.1	270.9	233.2	296.2	177.0	313.8	116.0
	80	298.5	298.5	327.1	234.2	350.4	174.0	287.4	287.4	312.0	227.9	332.8	167.6	275.1	275.1	295.5	221.1	313.0	160.4
	85	313.3	313.3	326.4	278.1	349.6	218.3	301.5	301.5	311.5	271.7	332.0	211.9	288.3	288.3	295.2	264.9	312.1	204.7
	90	327.2	327.2	328.8	322.4	348.8	263.0	314.5	314.5	314.7	314.7	331.2	256.4	300.1	300.1	299.8	299.8	311.3	249.1
11000	75	302.9	256.7	331.6	195.9	353.2	130.5	289.2	250.3	316.0	189.6	335.0	124.0	267.4	267.4	299.0	182.7	314.6	116.8
	80	305.9	305.9	330.8	243.5	352.4	178.4	294.2	294.2	315.3	237.1	334.2	171.9	281.3	281.3	298.3	230.2	313.8	164.7
	85	320.7	320.7	330.4	290.7	351.6	226.2	308.3	308.3	315.1	284.3	333.4	219.7	294.3	294.3	298.5	277.4	312.9	212.5
	90	334.4	334.4	334.3	334.3	350.7	274.1	320.8	320.8	320.5	320.5	332.5	267.4	305.2	305.2	305.3	305.3	312.1	260.0
12000	75	296.8	296.8	334.6	201.5	355.5	131.7	285.3	285.3	318.7	195.1	336.7	125.1	272.6	272.6	301.3	188.1	315.9	117.9
	80	312.4	312.4	333.8	252.3	354.6	183.0	300.1	300.1	317.9	245.9	335.8	176.3	286.6	286.6	300.5	239.0	315.1	169.1
	85	327.1	327.1	333.8	302.8	353.8	234.1	313.9	313.9	318.3	296.4	335.0	227.4	299.1	299.1	301.3	289.4	314.2	220.2
	90	340.1	340.1	340.3	340.3	353.0	285.1	325.7	325.7	325.8	325.8	334.2	278.2	308.8	308.8	308.9	308.9	313.5	270.8
CFM	Ent DB (°F)	Ambient Temperature (°F)						Ambient Temperature (°F)						Ambient Temperature (°F)					
		115						125											
		Entering Wet Bulb (°F)						Entering Wet Bulb (°F)											
		61		67		73		61		67		73							
		MBH	SHC	MBH	SHC	MBH	SHC	MBH	SHC	MBH	SHC	MBH	SHC	MBH	SHC	MBH	SHC	MBH	SHC
8750	75	252.2	213.6	275.3	162.7	291.7	107.6	241.7	208.7	259.7	156.3	271.4	100.3						
	80	254.3	254.3	274.6	202.3	290.9	147.5	244.6	244.6	258.9	195.9	270.6	140.3						
	85	266.2	266.2	274.1	241.6	290.1	187.3	253.8	253.8	258.6	235.1	269.7	180.1						
	90	277.3	277.3	277.1	277.1	289.2	227.3	262.9	262.9	263.0	263.0	268.8	219.8						
10000	75	256.5	226.5	279.0	170.1	292.6	108.5	241.0	241.0	262.6	163.5	271.4	101.1						
	80	262.4	262.4	278.3	214.2	291.8	153.0	250.6	250.6	261.8	207.6	270.6	145.6						
	85	274.3	274.3	278.3	257.8	290.9	197.3	260.4	260.4	262.1	251.2	269.6	189.9						
	90	284.2	284.2	284.3	284.3	290.0	241.3	267.4	267.4	267.4	267.4	268.7	233.7						
11000	75	255.1	255.1	281.3	175.6	293.3	109.4	245.1	245.1	264.3	169.0	271.8	102.0						
	80	267.8	267.8	280.5	223.2	292.4	157.3	254.7	254.7	263.5	216.5	270.9	150.0						
	85	279.2	279.2	281.1	270.2	291.5	205.1	264.1	264.1	264.5	263.4	269.9	197.7						
	90	287.7	287.7	287.8	287.8	290.7	252.3	268.7	268.7	268.6	268.6	269.0	244.6						
12000	75	259.6	259.6	283.1	181.0	294.0	110.3	248.4	248.4	265.7	174.2	271.9	102.9						
	80	272.3	272.3	282.3	231.9	293.1	161.6	258.4	258.4	264.9	224.8	271.1	154.2						
	85	283.1	283.1	283.6	282.2	292.2	212.7	266.8	266.8	266.6	266.6	270.0	205.2						
	90	289.6	289.6	289.6	289.6	291.5	263.0	268.9	268.9	268.9	268.9	268.8	255.0						

Notes:

- All capacities shown are gross and have not considered indoor fan heat. To obtain net cooling, subtract indoor fan heat.
- MBH = Total Gross Capacity, SHC = Sensible Heat Capacity

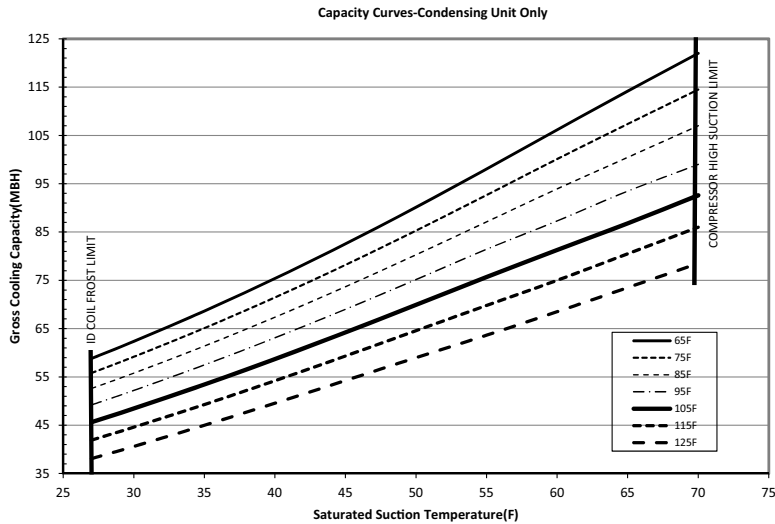
**Performance Data**

**Table 32. Gross cooling capacities (MBH) 6 tons TTA0724\*A condensing unit only (IP)**

Outdoor Temp (°F)		Suction Temperature (°F)					
		30	35	40	45	50	55
65	Head Press (psig)	243.5	248.5	253.8	259.2	264.8	270.3
	Capacity (Btuh/1000)	62.4	68.6	75.4	82.5	90.1	98.1
	Unit Power (kW)	3.6	3.6	3.7	3.7	3.8	3.8
75	Head Press (psig)	280.4	285.6	291.1	296.7	302.3	307.9
	Capacity (Btuh/1000)	59.2	65.1	71.4	78.2	85.3	92.7
	Unit Power (kW)	4.0	4.0	4.1	4.1	4.2	4.2
85	Head Press (psig)	321.0	326.4	332.0	337.7	343.4	349.0
	Capacity (Btuh/1000)	55.8	61.4	67.4	73.7	80.3	87.1
	Unit Power (kW)	4.4	4.5	4.5	4.6	4.6	4.7
95	Head Press (psig)	365.4	371.0	376.7	382.5	388.2	393.8
	Capacity (Btuh/1000)	52.2	57.5	63.1	69.0	75.1	81.4
	Unit Power (kW)	4.9	5.0	5.0	5.1	5.1	5.2
105	Head Press (psig)	413.7	419.4	425.2	431.0	436.7	442.2
	Capacity (Btuh/1000)	48.5	53.4	58.7	64.2	69.9	75.7
	Unit Power (kW)	5.5	5.6	5.6	5.6	5.7	5.7
115	Head Press (psig)	466.0	471.8	477.6	483.3	488.9	494.1
	Capacity (Btuh/1000)	44.6	49.3	54.2	59.3	64.6	69.8
	Unit Power (kW)	6.2	6.2	6.3	6.3	6.3	6.4
125	Head Press (psig)	522.1	527.8	533.4	538.9	544.2	549.1
	Capacity (Btuh/1000)	40.6	45.0	49.6	54.3	59.0	63.6
	Unit Power (kW)	7.0	7.0	7.0	7.0	7.1	7.1

**Note:** Performance data calculated at 15°F subcooling and 15°F superheat and does not include capacity loss due to refrigerant lines.

**Figure 8. TTA0724\*A capacity curve**



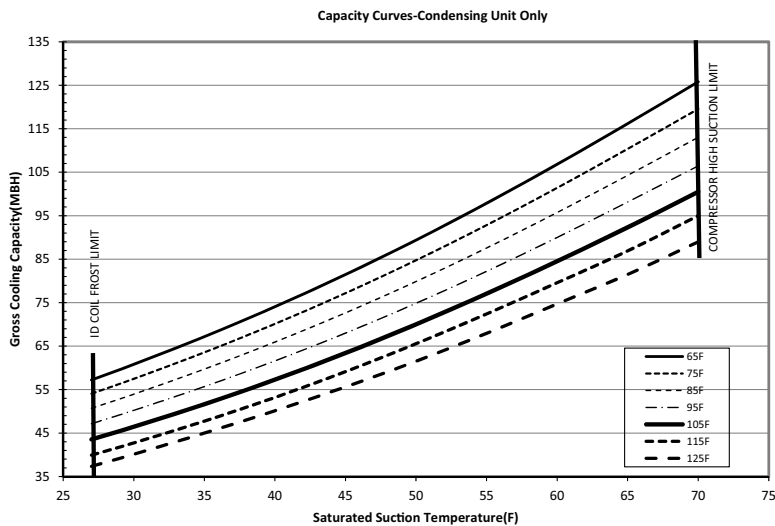


**Table 33. Gross cooling capacities (MBH) 6 tons TTA0724\*D condensing unit only (IP)**

Outdoor Temp (°F)		Suction Temperature (°F)					
		30	35	40	45	50	55
65	Head Press (psig)	264.8	270.7	276.6	282.1	287.1	291.3
	Capacity (Btuh/1000)	60.8	67.2	74.1	81.5	89.4	97.9
	Unit Power (kW)	3.9	4.0	4.0	4.0	4.1	4.1
75	Head Press (psig)	304.6	311.2	317.7	323.9	329.5	334.2
	Capacity (Btuh/1000)	57.5	63.6	70.1	77.2	84.8	92.8
	Unit Power (kW)	4.4	4.4	4.5	4.5	4.6	4.6
85	Head Press (psig)	348.2	355.4	362.6	369.5	375.8	381.1
	Capacity (Btuh/1000)	54.0	59.7	66.0	72.7	79.9	87.6
	Unit Power (kW)	4.9	5.0	5.0	5.1	5.1	5.1
95	Head Press (psig)	395.6	403.5	411.4	419.0	426.0	431.8
	Capacity (Btuh/1000)	50.2	55.7	61.6	68.0	74.9	82.2
	Unit Power (kW)	5.5	5.6	5.6	5.7	5.7	5.8
105	Head Press (psig)	446.9	455.4	463.9	472.1	479.6	485.9
	Capacity (Btuh/1000)	46.5	51.7	57.3	63.4	70.0	77.1
	Unit Power (kW)	6.2	6.2	6.3	6.4	6.4	6.5
115	Head Press (psig)	507.7	510.9	519.7	528.1	535.8	542.4
	Capacity (Btuh/1000)	42.8	47.8	53.2	59.1	65.6	72.4
	Unit Power (kW)	7.1	7.1	7.1	7.1	7.2	7.2
125	Head Press (psig)	595.7	594.5	592.3	590.7	593.6	600.1
	Capacity (Btuh/1000)	40.1	45.0	50.1	55.6	61.5	68.0
	Unit Power (kW)	8.5	8.4	8.2	8.1	8.0	8.0

**Note:** Performance data calculated at 15°F subcooling and 15°F superheat and does not include capacity loss due to refrigerant lines.

**Figure 9. TTA0724\*D capacity curve**



**Performance Data**

**Table 34. Gross cooling capacities (MBH) 7.5 tons TTA0904\*A condensing unit only (IP)**

Outdoor Temp (°F)		Suction Temperature (°F)					
		30	35	40	45	50	55
65	Head Press (psig)	266.8	273.5	280.4	287.4	294.4	301.2
	Capacity (Btuh/1000)	82.3	89.8	97.8	106.2	114.8	123.6
	Unit Power (kW)	5.0	5.2	5.3	5.4	5.6	5.7
75	Head Press (psig)	304.7	311.6	318.7	325.8	332.8	339.6
	Capacity (Btuh/1000)	78.1	85.3	92.8	100.7	108.9	117.0
	Unit Power (kW)	5.5	5.6	5.8	5.9	6.0	6.2
85	Head Press (psig)	346.1	353.2	360.4	367.6	374.6	381.2
	Capacity (Btuh/1000)	73.6	80.4	87.5	95.0	102.6	110.1
	Unit Power (kW)	6.1	6.2	6.3	6.4	6.5	6.7
95	Head Press (psig)	391.2	398.4	405.7	412.9	419.8	426.4
	Capacity (Btuh/1000)	68.8	75.3	82.0	89.0	96.1	102.9
	Unit Power (kW)	6.7	6.8	6.9	7.0	7.1	7.2
105	Head Press (psig)	440.1	447.4	454.7	461.8	468.6	474.9
	Capacity (Btuh/1000)	64.0	70.0	76.4	82.9	89.4	96.0
	Unit Power (kW)	7.3	7.5	7.6	7.7	7.8	7.9
115	Head Press (psig)	492.9	500.2	507.3	514.2	520.6	526.5
	Capacity (Btuh/1000)	59.2	64.9	70.8	76.8	82.6	89.0
	Unit Power (kW)	8.1	8.2	8.3	8.4	8.5	8.6
125	Head Press (psig)	549.2	556.1	562.8	569.2	575.1	580.3
	Capacity (Btuh/1000)	54.3	59.6	64.9	70.3	75.5	81.3
	Unit Power (kW)	9.0	9.1	9.2	9.3	9.3	9.4

**Note:** Performance data calculated at 15°F subcooling and 15°F superheat and does not include capacity loss due to refrigerant lines.

**Figure 10. TTA0904\*A capacity curve**

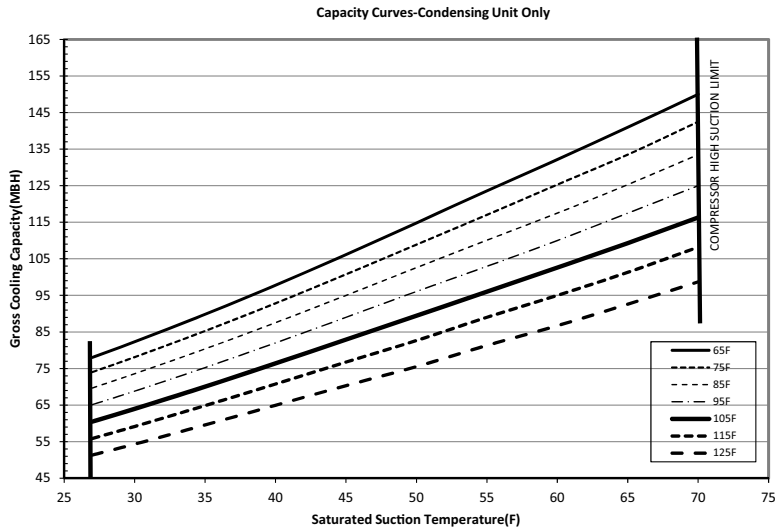
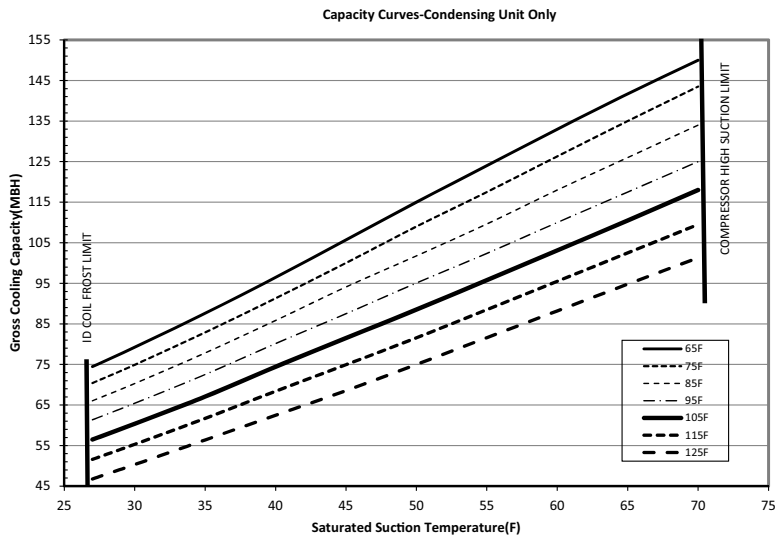


Table 35. Gross cooling capacities (MBH) 7.5 tons TTA0904\*D condensing unit only (IP)

Outdoor Temp (°F)		Suction Temperature (°F)					
		30	35	40	45	50	55
65	Head Press (psig)	268.4	271.8	274.8	278.0	285.0	142.5
	Capacity (Btuh/1000)	79.2	87.6	96.4	105.7	115.0	124.0
	Unit Power (kW)	4.9	5.0	5.0	5.0	5.0	4.9
75	Head Press (psig)	308.4	312.0	314.9	317.4	323.9	162.0
	Capacity (Btuh/1000)	74.9	82.9	91.3	100.0	109.0	117.5
	Unit Power (kW)	5.5	5.5	5.5	5.5	5.6	5.5
85	Head Press (psig)	335.9	356.0	358.9	361.2	358.6	362.8
	Capacity (Btuh/1000)	70.3	77.8	85.8	94.1	101.8	109.6
	Unit Power (kW)	5.9	6.2	6.2	6.1	6.0	6.0
95	Head Press (psig)	382.8	403.9	406.9	409.1	404.2	408.3
	Capacity (Btuh/1000)	65.4	72.5	80.1	88.0	95.1	102.4
	Unit Power (kW)	6.7	6.9	6.9	6.9	6.7	6.7
105	Head Press (psig)	433.9	437.4	459.0	460.9	453.6	457.5
	Capacity (Btuh/1000)	60.4	67.1	74.4	81.5	88.5	95.8
	Unit Power (kW)	7.5	7.5	7.8	7.7	7.5	7.5
115	Head Press (psig)	489.2	492.7	514.5	501.5	506.5	510.3
	Capacity (Btuh/1000)	55.3	61.7	68.4	74.9	81.6	89.0
	Unit Power (kW)	8.5	8.5	8.8	8.4	8.4	8.4
125	Head Press (psig)	548.2	551.7	554.6	557.7	562.5	566.1
	Capacity (Btuh/1000)	50.3	56.4	62.5	68.5	75.0	81.6
	Unit Power (kW)	9.7	9.6	9.6	9.5	9.5	9.4

Note: Performance data calculated at 15°F subcooling and 15°F superheat and does not include capacity loss due to refrigerant lines.

Figure 11. TTA0904\*D capacity curve



**Performance Data**

**Table 36. Gross cooling capacities (MBH) 10 tons TTA1204\*A condensing unit only (IP)**

Outdoor Temp (°F)		Suction Temperature (°F)					
		30	35	40	45	50	55
65	Head Press (psig)	279.1	280.6	281.5	282.1	286.7	291.9
	Capacity (Btuh/1000)	105.6	116.4	127.9	140.0	152.6	165.2
	Unit Power (kW)	7.1	7.1	7.1	7.2	7.3	7.4
75	Head Press (psig)	321.1	321.8	321.9	321.6	325.0	329.6
	Capacity (Btuh/1000)	100.1	110.4	121.4	132.9	144.8	156.9
	Unit Power (kW)	7.8	7.8	7.8	7.8	7.8	7.9
85	Head Press (psig)	368.2	367.7	366.7	365.2	367.1	371.0
	Capacity (Btuh/1000)	94.3	104.2	114.7	125.6	136.7	148.0
	Unit Power (kW)	8.6	8.5	8.5	8.5	8.5	8.6
95	Head Press (psig)	420.9	418.7	416.1	413.2	413.0	416.0
	Capacity (Btuh/1000)	88.4	97.8	107.7	118.0	138.3	148.0
	Unit Power (kW)	9.5	9.4	9.4	9.3	9.3	9.3
105	Head Press (psig)	479.4	474.9	470.2	465.5	462.6	464.7
	Capacity (Btuh/1000)	82.6	91.4	100.8	110.4	129.0	138.0
	Unit Power (kW)	10.5	10.4	10.3	10.2	10.2	10.2
115	Head Press (psig)	543.1	535.7	528.6	521.8	515.6	516.6
	Capacity (Btuh/1000)	77.4	85.6	94.2	103.0	120.0	128.5
	Unit Power (kW)	11.7	11.5	11.4	11.3	11.1	11.1
125	Head Press (psig)	609.6	599.9	590.6	581.7	573.3	570.9
	Capacity (Btuh/1000)	73.3	80.6	88.1	95.7	111.5	119.0
	Unit Power (kW)	12.8	12.7	12.5	12.3	12.2	12.1

**Note:** Performance data calculated at 15°F subcooling and 15°F superheat and does not include capacity loss due to refrigerant lines.

**Figure 12. TTA1204\*A capacity curve**

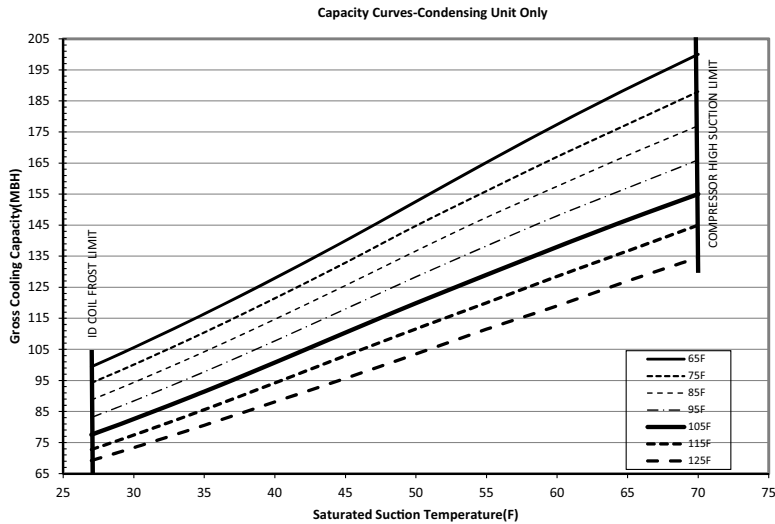
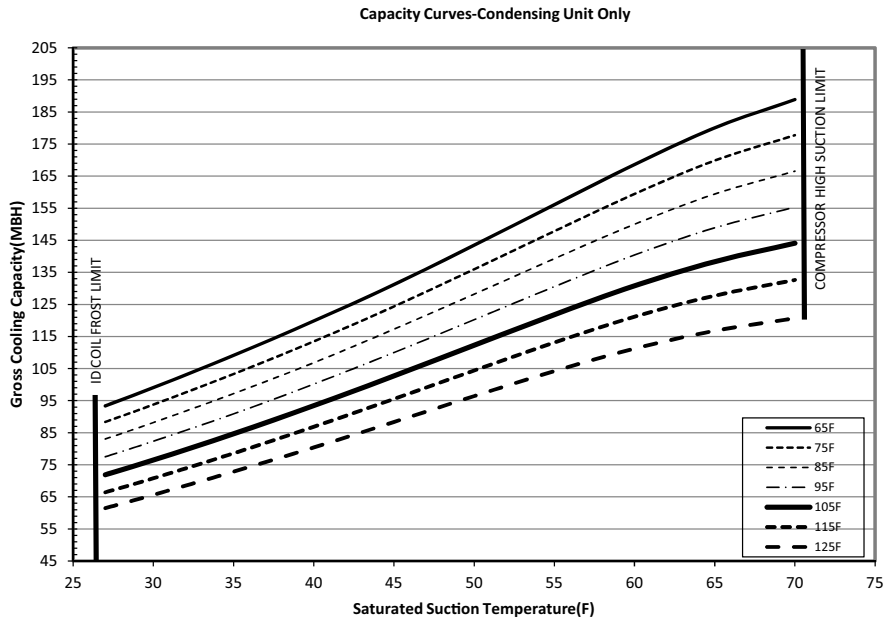


Table 37. Gross cooling capacities (MBH) 10 tons TTA1204\*D condensing unit only (IP)

Outdoor Temp (°F)		Suction Temperature (°F)					
		30	35	40	45	50	55
65	Head Press (psig)	259.3	264.3	269.1	273.6	277.6	281.2
	Capacity (Btuh/1000)	99.1	109.1	119.8	131.2	143.4	156.1
	Unit Power (kW)	6.3	6.4	6.5	6.6	6.6	6.7
75	Head Press (psig)	297.0	302.2	307.2	311.7	315.6	319.2
	Capacity (Btuh/1000)	93.8	103.3	113.5	124.4	136.0	147.8
	Unit Power (kW)	6.9	7.0	7.1	7.2	7.2	7.3
85	Head Press (psig)	338.4	343.8	348.9	353.4	357.3	360.8
	Capacity (Btuh/1000)	88.2	97.2	106.8	117.3	128.2	139.3
	Unit Power (kW)	7.6	7.7	7.8	7.9	7.9	7.9
95	Head Press (psig)	383.6	389.2	394.3	398.8	402.7	406.1
	Capacity (Btuh/1000)	82.4	90.9	100.2	110.0	120.2	130.6
	Unit Power (kW)	8.4	8.5	8.6	8.7	8.7	8.7
105	Head Press (psig)	432.8	438.4	443.6	448.1	451.8	455.0
	Capacity (Btuh/1000)	76.5	84.6	93.4	102.7	112.3	121.8
	Unit Power (kW)	9.3	9.4	9.5	9.5	9.6	9.6
115	Head Press (psig)	486.0	491.6	496.6	501.0	504.6	507.6
	Capacity (Btuh/1000)	70.8	78.6	86.9	95.5	104.4	113.1
	Unit Power (kW)	10.3	10.3	10.4	10.5	10.6	10.6
125	Head Press (psig)	543.1	548.4	553.2	557.3	560.6	563.2
	Capacity (Btuh/1000)	65.6	72.9	80.4	88.4	96.4	104.2
	Unit Power (kW)	11.4	11.4	11.4	11.5	11.6	11.6

Note: Performance data calculated at 15°F subcooling and 15°F superheat and does not include capacity loss due to refrigerant lines.

Figure 13. TTA1204\*D capacity curve



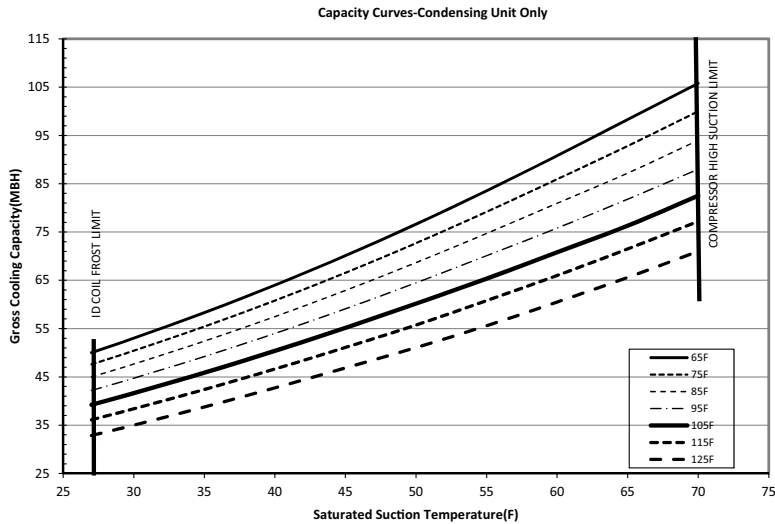
**Performance Data**

**Table 38. Gross cooling capacities (MBH) one compressor - 10 tons TTA1204\*C condensing unit only (IP)**

Outdoor Temp (°F)		Suction Temperature (°F)					
		30	35	40	45	50	55
65	Head Press (psig)	221.3	224.0	226.8	229.8	232.8	235.8
	Capacity (Btuh/1000)	53.0	58.3	64.0	70.1	76.6	83.5
	Unit Power (kW)	3.6	3.6	3.6	3.6	3.6	3.6
75	Head Press (psig)	256.5	259.3	262.2	265.2	268.3	271.3
	Capacity (Btuh/1000)	50.4	55.4	60.8	66.6	72.7	79.2
	Unit Power (kW)	3.9	3.9	3.9	3.9	3.9	4.0
85	Head Press (psig)	295.5	298.4	301.3	304.4	307.4	310.5
	Capacity (Btuh/1000)	47.7	52.4	57.5	62.9	68.7	74.7
	Unit Power (kW)	4.2	4.2	4.2	4.3	4.3	4.3
95	Head Press (psig)	338.4	341.3	344.3	347.4	350.4	353.5
	Capacity (Btuh/1000)	44.7	49.2	54.0	59.1	64.5	70.1
	Unit Power (kW)	4.6	4.6	4.6	4.7	4.7	4.7
105	Head Press (psig)	385.4	388.4	391.4	394.5	397.5	400.5
	Capacity (Btuh/1000)	41.6	45.9	50.4	55.2	60.2	65.3
	Unit Power (kW)	5.1	5.1	5.1	5.1	5.1	5.1
115	Head Press (psig)	436.7	439.7	442.7	445.8	448.7	451.6
	Capacity (Btuh/1000)	38.4	42.4	46.6	51.1	55.7	60.8
	Unit Power (kW)	5.6	5.6	5.6	5.6	5.6	5.6
125	Head Press (psig)	492.5	495.5	498.4	501.3	504.1	506.8
	Capacity (Btuh/1000)	35.0	38.8	42.7	46.9	51.1	55.6
	Unit Power (kW)	6.2	6.2	6.2	6.2	6.2	6.2

**Note:** Performance data calculated at 15°F subcooling and 15°F superheat and does not include capacity loss due to refrigerant lines.

**Figure 14. TTA1204\*C - one compressor - capacity curve**

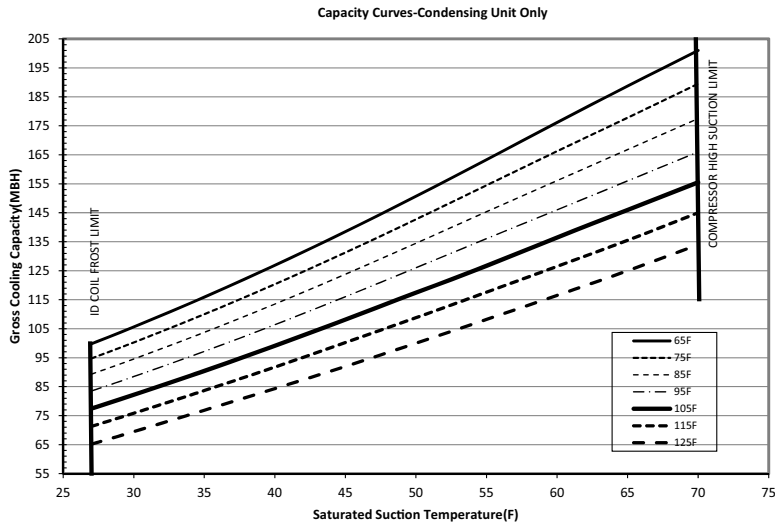


**Table 39. Gross cooling capacities (MBH) both compressors - 10 tons TTA1204\*C condensing unit only (IP)**

Outdoor Temp (°F)		Suction Temperature (°F)					
		30	35	40	45	50	55
65	Head Press (psig)	260.4	267.0	273.9	281.0	288.1	294.9
	Capacity (Btuh/1000)	105.6	115.9	126.9	138.5	150.7	163.3
	Unit Power (kW)	6.6	6.7	6.8	6.9	7.0	7.2
75	Head Press (psig)	298.5	305.0	312.0	319.1	326.1	332.7
	Capacity (Btuh/1000)	100.3	110.0	120.3	131.3	142.7	154.5
	Unit Power (kW)	7.3	7.4	7.5	7.6	7.7	7.9
85	Head Press (psig)	340.7	346.5	353.7	360.8	367.7	374.2
	Capacity (Btuh/1000)	94.5	103.7	113.5	123.8	134.5	145.4
	Unit Power (kW)	8.1	8.2	8.3	8.4	8.5	8.6
95	Head Press (psig)	386.9	391.9	399.1	406.3	413.0	419.2
	Capacity (Btuh/1000)	88.5	97.2	106.4	116.0	126.0	136.1
	Unit Power (kW)	9.0	9.1	9.2	9.3	9.4	9.5
105	Head Press (psig)	437.4	441.7	448.3	455.4	462.0	467.8
	Capacity (Btuh/1000)	82.2	90.4	99.1	108.2	117.5	126.7
	Unit Power (kW)	10.0	10.1	10.2	10.3	10.4	10.5
115	Head Press (psig)	492.1	496.2	501.1	508.0	514.2	519.7
	Capacity (Btuh/1000)	75.8	83.7	91.7	100.2	108.8	117.6
	Unit Power (kW)	11.3	11.3	11.3	11.4	11.5	11.6
125	Head Press (psig)	551.1	554.6	558.0	563.3	569.1	573.9
	Capacity (Btuh/1000)	69.5	76.9	84.3	92.0	100.0	108.2
	Unit Power (kW)	12.7	12.7	12.6	12.7	12.7	12.8

**Note:** Performance data calculated at 15°F subcooling and 15°F superheat and does not include capacity loss due to refrigerant lines.

**Figure 15. TTA1204\*C - both compressors - capacity curve**



**Performance Data**

**Table 40. Gross cooling capacities (MBH) 12.5 tons TTA1504\*D condensing unit only (IP)**

Outdoor Temp (°F)		Suction Temperature (°F)					
		30	35	40	45	50	55
65	Head Press (psig)	276.3	282.3	290.1	297.9	305.7	312.8
	Capacity (Btuh/1000)	137.1	150.7	165.1	180.1	195.5	210.9
	Unit Power (kW)	9.2	9.3	9.4	9.5	9.6	9.7
75	Head Press (psig)	317.9	322.1	330.1	338.3	346.1	353.3
	Capacity (Btuh/1000)	129.9	142.6	156.2	170.3	184.7	199.0
	Unit Power (kW)	10.1	10.2	10.3	10.4	10.5	10.6
85	Head Press (psig)	363.8	367.2	373.8	382.1	390.1	397.2
	Capacity (Btuh/1000)	122.1	134.2	146.9	160.2	173.7	187.0
	Unit Power (kW)	11.1	11.2	11.3	11.4	11.5	11.6
95	Head Press (psig)	414.4	417.5	421.1	429.6	437.6	444.5
	Capacity (Btuh/1000)	113.8	125.5	137.5	150.0	162.7	174.9
	Unit Power (kW)	12.3	12.3	12.4	12.5	12.6	12.7
105	Head Press (psig)	470.1	472.4	474.9	480.4	488.2	494.8
	Capacity (Btuh/1000)	105.4	116.5	128.0	139.7	151.5	162.7
	Unit Power (kW)	13.6	13.6	13.7	13.7	13.8	13.8
115	Head Press (psig)	531.5	532.2	533.6	535.3	541.6	547.7
	Capacity (Btuh/1000)	97.0	107.7	118.6	129.3	140.1	156.0
	Unit Power (kW)	15.1	15.1	15.1	15.0	15.1	15.1
125	Head Press (psig)	596.2	597.3	596.6	596.9	597.4	601.8
	Capacity (Btuh/1000)	88.9	99.0	109.0	118.9	131.0	141.0
	Unit Power (kW)	16.9	16.7	16.6	16.5	16.4	16.4

**Note:** Performance data calculated at 15°F subcooling and 15°F superheat and does not include capacity loss due to refrigerant lines.

**Figure 16. TTA1504\*D capacity curve**

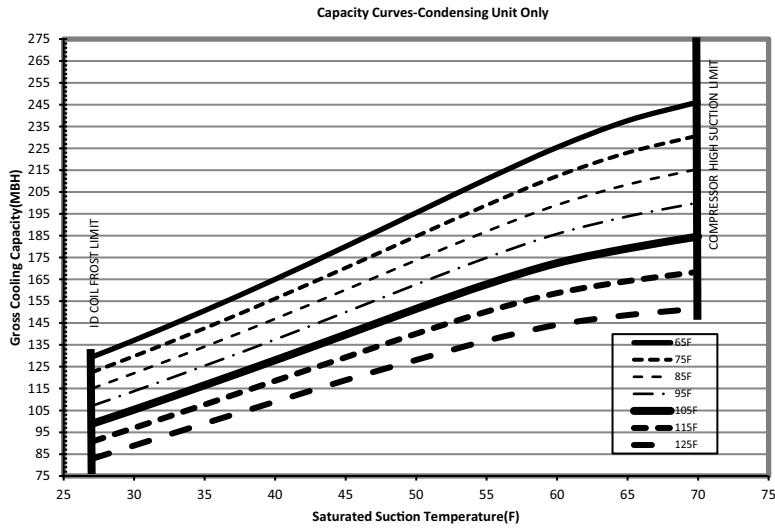


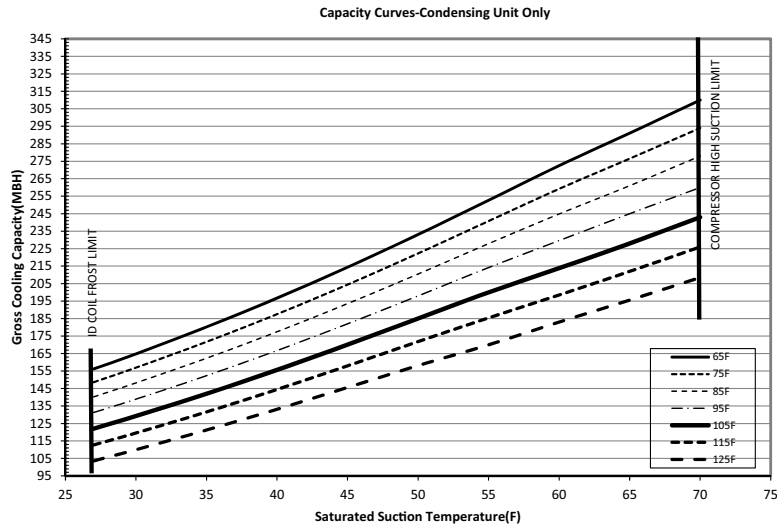


Table 41. Gross cooling capacities (MBH) 15 tons TTA1804\*D condensing unit only (IP)

Outdoor Temp (°F)		Suction Temperature (°F)					
		30	35	40	45	50	55
65	Head Press (psig)	244.9	249.2	254.1	259.0	263.9	268.5
	Capacity (Btuh/1000)	164.8	180.2	196.7	214.4	233.1	252.7
	Unit Power (kW)	10.5	10.6	10.8	11.1	11.3	11.5
75	Head Press (psig)	281.3	286.1	291.1	296.2	301.1	305.6
	Capacity (Btuh/1000)	156.9	171.7	187.5	204.4	222.3	240.8
	Unit Power (kW)	11.3	11.5	11.7	11.9	12.1	12.4
85	Head Press (psig)	321.6	326.7	331.8	336.9	341.8	346.2
	Capacity (Btuh/1000)	148.2	162.3	177.5	193.6	210.5	227.9
	Unit Power (kW)	12.3	12.5	12.7	12.9	13.1	13.3
95	Head Press (psig)	365.8	371.0	376.2	381.3	386.1	390.4
	Capacity (Btuh/1000)	138.9	152.3	166.7	182.0	198.0	214.2
	Unit Power (kW)	13.5	13.6	13.8	14.0	14.2	14.4
105	Head Press (psig)	414.1	419.3	424.5	429.6	434.2	438.3
	Capacity (Btuh/1000)	129.3	142.0	155.6	170.1	185.1	200.0
	Unit Power (kW)	14.8	14.9	15.1	15.3	15.4	15.6
115	Head Press (psig)	466.5	471.7	476.9	481.7	486.1	489.9
	Capacity (Btuh/1000)	119.6	131.6	144.5	158.0	171.9	185.4
	Unit Power (kW)	16.3	16.4	16.5	16.7	16.8	17.0
125	Head Press (psig)	524.9	528.1	533.0	537.5	541.4	544.7
	Capacity (Btuh/1000)	110.0	121.2	133.1	145.6	158.1	170.0
	Unit Power (kW)	18.0	18.0	18.1	18.3	18.4	18.5

Note: Performance data calculated at 15°F subcooling and 15°F superheat and does not include capacity loss due to refrigerant lines.

Figure 17. TTA1804\*D capacity curve



**Performance Data**

**Table 42. Gross cooling capacities (MBH) one compressor - 15 tons TTA1804\*C condensing unit only (IP)**

Outdoor Temp (°F)		Suction Temperature (°F)					
		30	35	40	45	50	55
65	Head Press (psig)	219.5	222.4	225.5	228.9	232.6	237.9
	Capacity (Btuh/1000)	95.1	105.3	116.4	128.5	155.0	154.1
	Unit Power (kW)	6.6	6.7	6.8	6.8	6.9	7.0
75	Head Press (psig)	254.5	257.4	260.6	264.0	267.7	271.6
	Capacity (Btuh/1000)	89.0	98.4	108.7	119.8	131.7	144.7
	Unit Power (kW)	7.1	7.2	7.2	7.3	7.4	7.4
85	Head Press (psig)	293.6	296.4	299.7	303.1	306.8	310.8
	Capacity (Btuh/1000)	83.6	92.3	101.8	112.0	123.0	134.9
	Unit Power (kW)	7.6	7.7	7.8	7.8	7.9	8.0
95	Head Press (psig)	337.3	339.7	343.0	346.5	350.2	354.1
	Capacity (Btuh/1000)	78.3	86.5	95.3	104.8	115.0	126.0
	Unit Power (kW)	8.2	8.3	8.3	8.4	8.5	8.6
105	Head Press (psig)	385.5	387.8	390.7	394.2	398.0	401.9
	Capacity (Btuh/1000)	73.0	80.7	89.0	97.8	107.3	117.5
	Unit Power (kW)	8.9	9.0	9.0	9.1	9.2	9.2
115	Head Press (psig)	438.7	440.9	443.2	446.5	450.2	454.0
	Capacity (Btuh/1000)	67.4	74.8	82.6	90.9	99.8	109.2
	Unit Power (kW)	9.7	9.7	9.8	9.9	9.9	10.0
125	Head Press (psig)	497.2	499.2	501.3	503.5	506.8	510.5
	Capacity (Btuh/1000)	61.4	68.4	75.8	83.7	92.1	100.9
	Unit Power (kW)	10.6	10.6	10.7	10.7	10.8	10.9

**Note:** Performance data calculated at 15°F subcooling and 15°F superheat and does not include capacity loss due to refrigerant lines.

**Figure 18. TTA1804\*C - one compressor - capacity curve**

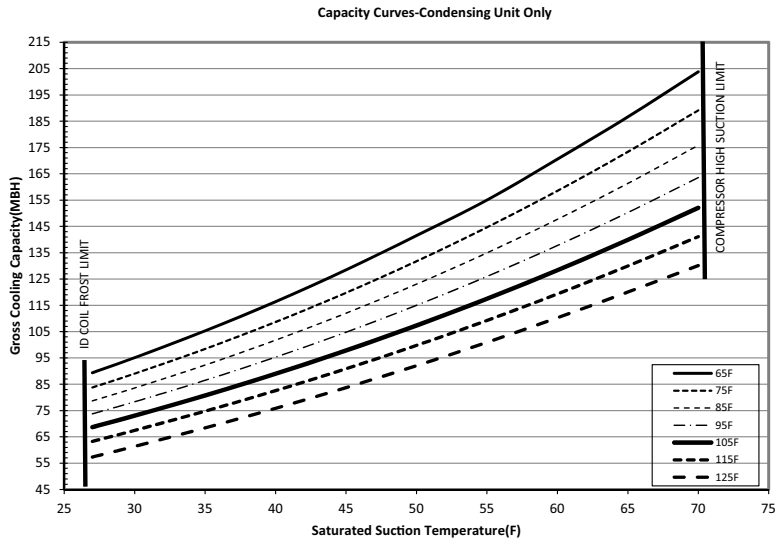
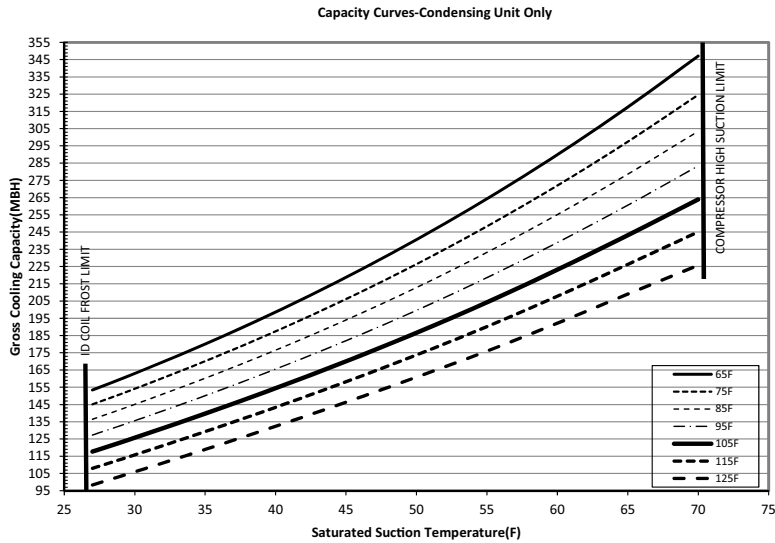


Table 43. Gross cooling capacities (MBH) both compressors - 15 tons TTA1804\*C condensing unit only (IP)

Outdoor Temp (°F)		Suction Temperature (°F)					
		30	35	40	45	50	55
65	Head Press (psig)	265.1	262.6	260.0	257.4	256.5	256.0
	Capacity (Btuh/1000)	163.0	180.0	198.6	218.8	240.6	264.3
	Unit Power (kW)	11.0	10.9	10.9	10.8	10.8	10.7
75	Head Press (psig)	305.1	302.1	299.0	295.9	294.1	293.4
	Capacity (Btuh/1000)	154.1	170.1	187.4	206.1	226.4	248.3
	Unit Power (kW)	12.0	11.9	11.8	11.7	11.7	11.7
85	Head Press (psig)	349.7	346.0	342.3	338.6	335.7	334.8
	Capacity (Btuh/1000)	145.1	160.2	176.5	194.0	212.8	233.2
	Unit Power (kW)	13.1	13.0	12.9	12.8	12.7	12.7
95	Head Press (psig)	399.0	394.6	390.1	385.7	381.4	380.1
	Capacity (Btuh/1000)	135.6	150.1	165.5	182.0	199.6	218.6
	Unit Power (kW)	14.4	14.3	14.1	14.0	13.9	13.8
105	Head Press (psig)	453.5	448.1	442.7	437.5	432.3	429.5
	Capacity (Btuh/1000)	125.7	139.7	154.4	170.0	186.6	204.2
	Unit Power (kW)	15.9	15.7	15.6	15.4	15.2	15.1
115	Head Press (psig)	511.5	505.0	498.6	492.4	486.3	481.5
	Capacity (Btuh/1000)	115.8	129.3	143.4	158.2	173.7	190.2
	Unit Power (kW)	17.6	17.3	17.1	16.9	16.7	16.5
125	Head Press (psig)	574.8	566.9	559.3	552.0	544.9	538.0
	Capacity (Btuh/1000)	105.9	118.9	132.3	146.3	160.9	175.9
	Unit Power (kW)	19.4	19.1	18.8	18.6	18.3	18.0

Note: Performance data calculated at 15°F subcooling and 15°F superheat and does not include capacity loss due to refrigerant lines.

Figure 19. TTA1804\*C - both compressors - capacity curve



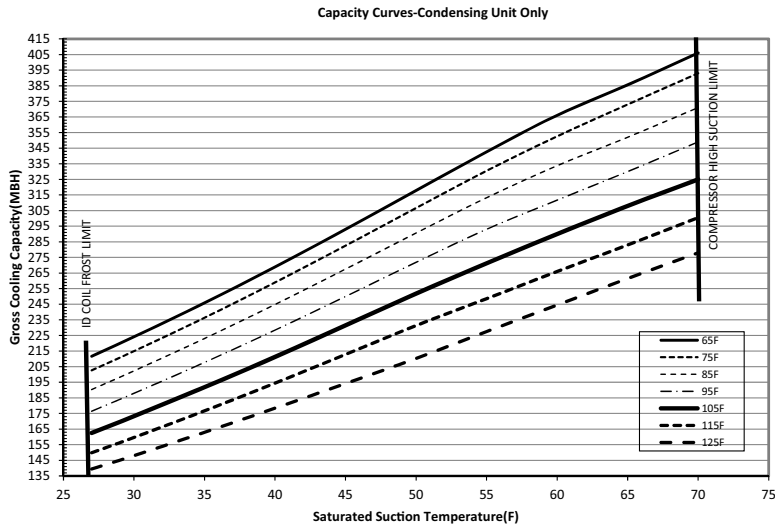
**Performance Data**

**Table 44. Gross cooling capacities (MBH) 20 tons TTA2404\*D condensing unit only (IP)**

Outdoor Temp (°F)		Suction Temperature (°F)					
		30	35	40	45	50	55
65	Head Press (psig)	272.3	277.4	285.0	292.6	299.7	305.7
	Capacity (Btuh/1000)	224.2	245.8	268.9	293.0	317.9	342.7
	Unit Power (kW)	14.7	15.0	15.3	15.6	15.9	16.2
75	Head Press (psig)	311.8	316.2	324.3	332.2	339.5	345.7
	Capacity (Btuh/1000)	215.0	236.4	259.0	282.5	306.7	330.5
	Unit Power (kW)	16.0	16.3	16.6	16.9	17.2	17.5
85	Head Press (psig)	355.0	359.2	366.5	374.6	382.1	388.2
	Capacity (Btuh/1000)	202.3	223.1	244.8	267.5	290.6	313.3
	Unit Power (kW)	17.5	17.7	18.1	18.4	18.7	19.0
95	Head Press (psig)	402.4	406.2	412.1	420.3	427.7	433.6
	Capacity (Btuh/1000)	187.9	207.7	228.4	250.0	271.9	293.1
	Unit Power (kW)	19.2	19.4	19.7	20.0	20.3	20.6
105	Head Press (psig)	454.4	457.6	461.2	469.3	476.4	482.0
	Capacity (Btuh/1000)	173.3	191.9	211.2	231.5	251.8	271.3
	Unit Power (kW)	21.1	21.3	21.5	21.8	22.1	22.3
115	Head Press (psig)	511.7	513.6	515.9	521.6	528.1	533.1
	Capacity (Btuh/1000)	159.6	176.7	194.4	212.9	231.3	248.6
	Unit Power (kW)	23.3	23.4	23.5	23.8	24.0	24.3
125	Head Press (psig)	574.2	574.4	575.2	576.5	582.1	586.2
	Capacity (Btuh/1000)	148.0	163.0	178.4	194.2	210.3	227.5
	Unit Power (kW)	25.8	25.8	25.8	25.9	26.2	26.3

**Note:** Performance data calculated at 15°F subcooling and 15°F superheat and does not include capacity loss due to refrigerant lines.

**Figure 20. TTA2404\*D capacity curve**

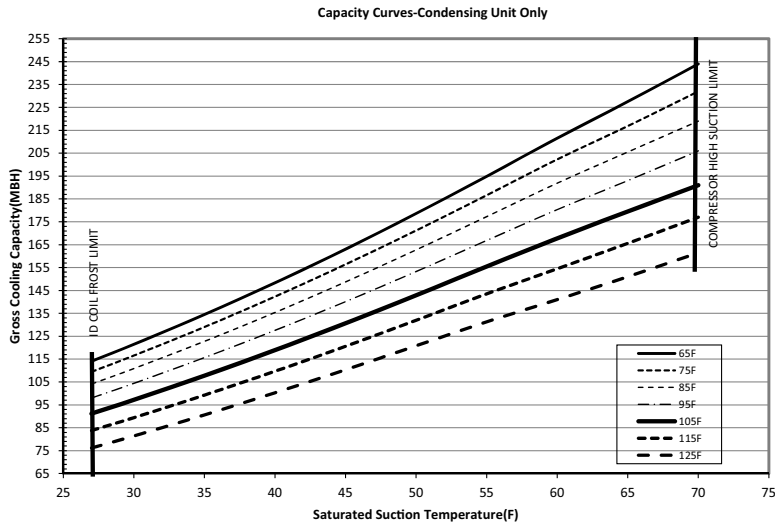


**Table 45. Gross cooling capacities (MBH) one compressor - 20 tons TTA2404\*C condensing unit only (IP)**

Outdoor Temp (°F)		Suction Temperature (°F)					
		30	35	40	45	50	55
65	Head Press (psig)	228.7	231.9	236.0	245.0	244.3	248.1
	Capacity (Btuh/1000)	121.5	134.5	148.4	163.0	178.6	194.9
	Unit Power (kW)	8.6	8.8	8.9	9.2	9.3	9.4
75	Head Press (psig)	265.5	268.5	272.8	277.1	281.3	285.1
	Capacity (Btuh/1000)	116.6	129.0	142.3	156.4	171.2	186.6
	Unit Power (kW)	9.1	9.3	9.4	9.6	9.8	10.0
85	Head Press (psig)	306.2	309.0	313.2	317.6	321.9	325.6
	Capacity (Btuh/1000)	110.9	122.8	135.4	148.7	162.7	177.3
	Unit Power (kW)	9.8	9.9	10.1	10.3	10.4	10.6
95	Head Press (psig)	351.0	353.7	357.4	361.9	366.1	369.7
	Capacity (Btuh/1000)	104.4	115.7	127.6	140.1	153.3	166.8
	Unit Power (kW)	10.5	10.7	10.8	11.0	11.2	11.4
105	Head Press (psig)	400.2	402.8	405.6	410.0	414.1	417.4
	Capacity (Btuh/1000)	97.2	107.8	118.9	130.7	142.9	155.5
	Unit Power (kW)	11.5	11.6	11.7	11.9	12.0	12.2
115	Head Press (psig)	454.0	456.3	458.2	462.1	465.9	468.7
	Capacity (Btuh/1000)	89.4	99.3	109.7	120.6	132.0	143.5
	Unit Power (kW)	12.5	12.6	12.7	12.9	13.0	13.1
125	Head Press (psig)	513.1	514.8	516.1	518.1	521.5	523.8
	Capacity (Btuh/1000)	81.4	90.6	100.3	110.4	120.8	131.3
	Unit Power (kW)	13.7	13.7	13.8	13.9	14.0	14.1

**Note:** Performance data calculated at 15°F subcooling and 15°F superheat and does not include capacity loss due to refrigerant lines.

**Figure 21. TTA2404\*C - One compressor - capacity curves**



**Performance Data**

**Table 46. Gross cooling capacities (MBH) both compressors - 20 tons TTA2404\*C condensing unit only (IP)**

Outdoor Temp (°F)		Suction Temperature (°F)					
		30	35	40	45	50	55
65	Head Press (psig)	290.3	293.0	295.0	300.0	307.8	312.7
	Capacity (Btuh/1000)	245.6	271.2	297.6	324.9	353.3	380.5
	Unit Power (kW)	17.1	17.3	17.6	18.0	18.5	18.9
75	Head Press (psig)	333.0	335.0	336.3	339.8	347.2	351.3
	Capacity (Btuh/1000)	233.9	258.3	283.5	308.9	335.3	360.0
	Unit Power (kW)	18.5	18.8	19.0	19.3	19.8	20.2
85	Head Press (psig)	379.9	381.0	381.3	382.8	389.7	392.9
	Capacity (Btuh/1000)	220.6	243.7	267.5	291.2	315.6	337.8
	Unit Power (kW)	20.3	20.5	20.7	20.9	21.4	21.7
95	Head Press (psig)	431.2	430.9	429.9	428.9	435.2	437.3
	Capacity (Btuh/1000)	205.9	227.8	250.3	272.2	294.6	316.0
	Unit Power (kW)	22.3	22.4	22.5	22.6	23.1	23.3
105	Head Press (psig)	486.9	484.9	482.3	479.4	483.6	484.5
	Capacity (Btuh/1000)	191.3	211.9	232.8	252.9	273.1	294.0
	Unit Power (kW)	24.5	24.6	24.6	24.6	24.9	25.1
115	Head Press (psig)	547.1	543.0	538.7	534.1	534.9	534.6
	Capacity (Btuh/1000)	178.8	197.7	216.6	234.5	253.0	271.0
	Unit Power (kW)	27.0	26.9	26.8	26.7	26.9	27.0
125	Head Press (psig)	612.5	606.3	600.0	593.4	589.3	587.6
	Capacity (Btuh/1000)	171.8	188.1	204.0	220.0	236.0	252.0
	Unit Power (kW)	29.7	29.5	29.3	29.1	29.0	29.0

**Note:** Performance data calculated at 15°F subcooling and 15°F superheat and does not include capacity loss due to refrigerant lines.

**Figure 22. TTA2404\*C - both compressors - capacity curves**

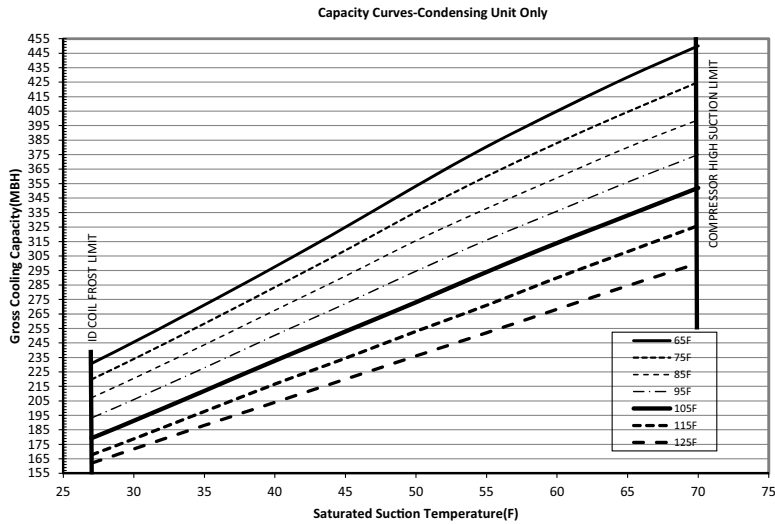
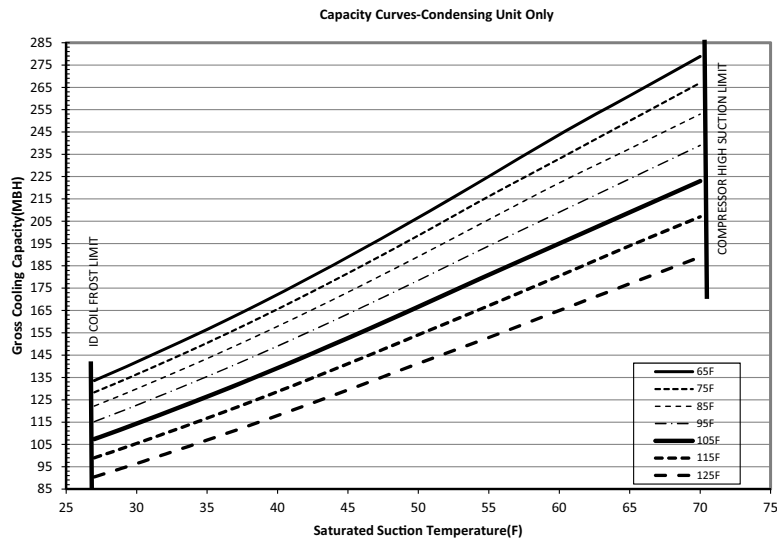


Table 47. Gross cooling capacities (MBH) one compressor - 25 tons TTA3004\*C condensing unit only (IP)

Outdoor Temp (°F)		Suction Temperature (°F)					
		30	35	40	45	50	55
65	Head Press (psig)	235.3	238.0	241.6	246.1	250.6	254.6
	Capacity (Btuh/1000)	141.9	156.5	172.2	189.0	206.7	225.1
	Unit Power (kW)	9.9	10.0	10.1	10.3	10.4	10.6
75	Head Press (psig)	272.6	275.4	278.9	283.6	288.1	292.1
	Capacity (Btuh/1000)	136.4	150.5	165.6	181.7	198.6	216.2
	Unit Power (kW)	10.5	10.7	10.8	11.0	11.2	11.3
85	Head Press (psig)	313.8	316.5	319.8	324.6	329.1	332.9
	Capacity (Btuh/1000)	129.9	143.5	157.9	173.2	189.2	205.8
	Unit Power (kW)	11.3	11.5	11.6	11.8	12.0	12.2
95	Head Press (psig)	359.0	361.7	364.5	369.3	373.7	377.2
	Capacity (Btuh/1000)	122.5	135.4	149.0	163.5	178.5	194.0
	Unit Power (kW)	12.3	12.4	12.6	12.7	12.9	13.1
105	Head Press (psig)	408.5	410.9	413.1	417.7	421.8	425.0
	Capacity (Btuh/1000)	114.3	126.4	139.2	152.7	166.7	181.0
	Unit Power (kW)	13.3	13.5	13.6	13.8	14.0	14.2
115	Head Press (psig)	462.6	464.5	466.2	469.9	473.6	476.2
	Capacity (Btuh/1000)	105.4	116.7	128.6	141.1	154.1	167.2
	Unit Power (kW)	14.5	14.7	14.8	15.0	15.1	15.3
125	Head Press (psig)	521.8	522.9	523.9	525.8	529.1	531.0
	Capacity (Btuh/1000)	96.4	106.9	117.9	129.4	141.3	152.9
	Unit Power (kW)	15.9	16.0	16.1	16.2	16.4	16.5

Note: Performance data calculated at 15°F subcooling and 15°F superheat and does not include capacity loss due to refrigerant lines.

Figure 23. TTA3004\*C - one compressors - capacity curves



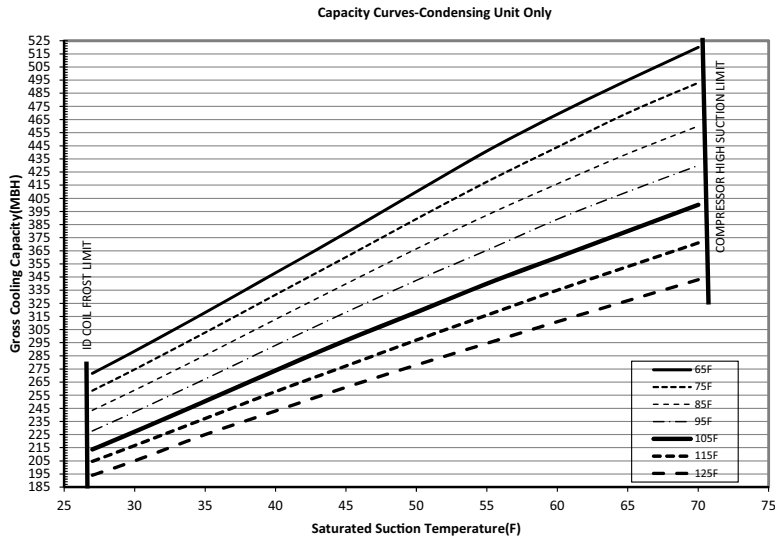
**Performance Data**

**Table 48. Gross cooling capacities (MBH) both compressors - 25 tons TTA3004\*C condensing unit only (IP)**

Outdoor Temp (°F)		Suction Temperature (°F)					
		30	35	40	45	50	55
65	Head Press (psig)	312.8	315.4	317.4	318.7	325.0	331.4
	Capacity (Btuh/1000)	288.6	317.9	348.2	378.6	410.0	441.0
	Unit Power (kW)	20.5	20.8	21.0	21.2	21.7	22.1
75	Head Press (psig)	357.2	359.0	360.0	360.3	365.3	370.8
	Capacity (Btuh/1000)	274.6	302.7	331.5	360.2	389.3	417.6
	Unit Power (kW)	22.4	22.6	22.8	23.0	23.4	23.9
85	Head Press (psig)	405.8	406.3	407.0	407.8	408.5	412.9
	Capacity (Btuh/1000)	258.9	285.4	312.8	339.8	366.5	392.2
	Unit Power (kW)	24.5	24.7	24.8	25.0	25.3	25.7
95	Head Press (psig)	458.6	457.5	455.7	453.4	454.5	457.7
	Capacity (Btuh/1000)	242.3	267.3	293.0	318.2	342.5	365.4
	Unit Power (kW)	26.9	27.0	27.1	27.1	27.4	27.7
105	Head Press (psig)	515.3	512.2	508.7	504.8	503.3	505.1
	Capacity (Btuh/1000)	227.2	250.4	273.9	296.8	318.2	340.0
	Unit Power (kW)	29.5	29.5	29.5	29.5	29.6	29.9
115	Head Press (psig)	575.6	570.6	565.4	559.8	554.8	555.0
	Capacity (Btuh/1000)	216.7	237.2	257.8	277.3	297.0	316.0
	Unit Power (kW)	32.3	32.2	32.1	32.0	31.9	32.1
125	Head Press (psig)	641.5	634.9	627.8	619.9	611.3	607.8
	Capacity (Btuh/1000)	205.0	225.0	243.0	261.0	278.0	294.5
	Unit Power (kW)	35.3	35.1	34.9	34.6	34.4	34.4

**Note:** Performance data calculated at 15°F subcooling and 15°F superheat and does not include capacity loss due to refrigerant lines.

**Figure 24. TTA3004\*C - both compressors - capacity curves**





## Fan Performance

Table 49. Evaporator fan performance —TWE060 — standard air handler

External Static Pressure (Inches of Water Gauge)																						
	0.10"		0.20"		0.30"		0.40"		0.50"		0.60"		0.70"		0.80"		0.90"		1.00"		1.10"	
CFM	RPM	BHP	RPM	BHP	RPM	BHP	RPM	BHP	RPM	BHP	RPM	BHP	RPM	BHP	RPM	BHP	RPM	BHP	RPM	BHP	RPM	BHP
<b>3/4 HP Standard Motor</b>																			<b>1.5 HP High Static Motor</b>			
1600	—	—	738	0.33	790	0.38	840	0.44	888	0.50	936	0.56	980	0.62	1025	0.69	1070	0.76	1111	0.83	1152	0.91
1700	719	0.33	771	0.38	821	0.44	869	0.50	914	0.56	959	0.62	1003	0.68	1047	0.75	1089	0.82	1129	0.90	1170	0.98
1800	756	0.39	804	0.44	853	0.50	898	0.56	942	0.62	985	0.69	1028	0.75	1068	0.82	1109	0.89	1149	0.97	1187	1.05
1900	792	0.45	838	0.51	884	0.57	928	0.63	971	0.69	1012	0.76	1052	0.83	1092	0.90	1131	0.97	1170	1.05	1207	1.13
2000	829	0.52	873	0.58	917	0.64	959	0.71	1000	0.77	1040	0.84	1079	0.91	1117	0.98	1155	1.06	1192	1.14	1227	1.21
2100	866	0.60	908	0.66	950	0.72	991	0.79	1030	0.86	1069	0.93	1106	1.00	1144	1.08	1179	1.15	1215	1.23	1250	1.31
2200	903	0.68	944	0.74	983	0.81	1023	0.88	1061	0.95	1099	1.02	1134	1.10	1170	1.18	1206	1.26	1241	1.34	1274	1.42
2300	940	0.78	979	0.84	1017	0.90	1055	0.97	1093	1.05	1129	1.13	1164	1.21	1198	1.28	1232	1.37	1266	1.45	1299	1.53
2400	978	0.88	1015	0.94	1052	1.01	1089	1.08	1125	1.16	1160	1.24	1194	1.32	1227	1.40	1259	1.48	1292	1.57	—	—
External Static Pressure (Inches of Water Gauge)																						
	1.20"		1.30"		1.40"																	
CFM	RPM	BHP	RPM	BHP	RPM	BHP																
<b>1.5 HP High Static Motor</b>																						
1600	1191	0.99	1229	1.07	1264	1.14																
1700	1208	1.06	1246	1.14	1281	1.22																
1800	1226	1.13	1263	1.22	1300	1.30																
1900	1245	1.21	1281	1.30	1317	1.39																
2000	1265	1.30	1300	1.39	1335	1.48																
2100	1285	1.39	1319	1.48	—	—																
2200	1308	1.50	—	—	—	—																
2300	—	—	—	—	—	—																
2400	—	—	—	—	—	—																

**Notes:**

1. Data includes pressure drop due to wet coil and 1" filter.
2. Fan motor heat (MBh) = 3.15 x BHP.
3. Check General Data for indoor fan motor HP availability.
4. For 380/60Hz models: Performance is limited to standard motor CFM/static range. No high static or oversized motors are available.
5. Factory supplied motors, in commercial equipment, are definite purpose motors, specifically designed and tested to operate reliably and continuously at all cataloged conditions. Using the full horsepower range of our fan motors as shown in our tabular data will not result in nuisance tripping or premature motor failure. Our product's warranty will not be affected.

**Performance Data**

**Table 50. Evaporator fan performance —TWE072 — standard air handler**

External Static Pressure (Inches of Water Gauge)																							
		0.10"		0.20"		0.30"		0.40"		0.50"		0.60"		0.70"		0.80"		0.90"		1.00"		1.10"	
CFM	RPM	BHP	RPM	BHP	RPM	BHP	RPM	BHP	RPM	BHP	RPM	BHP	RPM	BHP	RPM	BHP	RPM	BHP	RPM	BHP	RPM	BHP	
1.5 HP Standard Motor												2 HP High Static Motor											
1920	—	—	—	—	569	0.30	632	0.49	690	0.54	748	0.56	804	0.59	857	0.61	909	0.63	951	1.05	997	1.35	
2040	—	—	—	—	585	0.37	646	0.54	703	0.61	760	0.66	813	0.70	865	0.73	911	1.05	959	1.16	1003	1.40	
2160	—	—	—	—	601	0.45	660	0.60	716	0.69	771	0.76	823	0.82	873	0.84	920	1.14	966	1.26	1010	1.47	
2280	—	—	—	—	616	0.53	675	0.66	729	0.77	783	0.86	833	0.94	882	0.97	928	1.23	974	1.37	1017	1.54	
2400	—	—	572	0.52	634	0.61	691	0.74	744	0.85	795	0.96	844	1.08	892	1.21	939	1.35	982	1.48	1023	1.62	
2520	—	—	587	0.55	648	0.68	703	0.80	756	0.93	806	1.05	851	1.13	899	1.28	945	1.42	989	1.57	1030	1.71	
2640	—	—	604	0.61	663	0.76	718	0.88	769	1.01	817	1.14	862	1.24	910	1.38	954	1.52	996	1.67	1036	1.80	
2760	560	0.58	621	0.67	679	0.84	732	0.96	782	1.09	829	1.23	874	1.35	920	1.49	962	1.62	1004	1.77	1043	1.91	
2880	579	0.68	639	0.74	695	0.92	746	1.05	795	1.18	840	1.32	886	1.46	930	1.59	971	1.72	1011	1.86	1050	2.02	
External Static Pressure (Inches of Water Gauge)																							
		1.20"		1.30"		1.40"		1.50"		1.60"		1.70"		1.80"		1.90"		2.00"					
CFM	RPM	BHP	RPM	BHP	RPM	BHP	RPM	BHP	RPM	BHP	RPM	BHP	RPM	BHP	RPM	BHP	RPM	BHP	RPM	BHP	RPM	BHP	
2 HP High Static Motor												3 HP Ultra High Static Motor											
1920	1027	1.41	1041	1.52	1039	1.61	1021	1.68	988	1.76	1227	2.04	1249	2.30	1277	2.54	1312	2.61					
2040	1036	1.48	1065	1.61	1085	1.67	1099	1.76	1186	1.93	1229	2.12	1255	2.34	1284	2.57	1317	2.66					
2160	1046	1.56	1077	1.69	1104	1.75	1158	1.92	1193	2.05	1233	2.21	1261	2.40	1290	2.60	1323	2.71					
2280	1054	1.65	1089	1.77	1130	1.92	1165	2.03	1200	2.17	1236	2.32	1267	2.48	1297	2.64	1328	2.77					
2400	1062	1.75	1101	1.89	1137	2.03	1172	2.15	1207	2.29	1241	2.44	1273	2.58	1303	2.71	1334	2.85					
2520	1069	1.86	1107	1.99	1143	2.15	1179	2.28	1213	2.42	1246	2.57	1279	2.71	1309	2.85	1340	2.99					
2640	1076	1.96	1114	2.10	1150	2.26	1186	2.40	1220	2.55	1252	2.70	1285	2.86	1316	3.01	—	—					
2760	1083	2.08	1120	2.21	1157	2.38	1193	2.53	1226	2.68	1258	2.84	1291	3.02	—	—	—	—					
2880	1089	2.18	1127	2.33	1163	2.50	1199	2.66	1233	2.81	1266	2.98	—	—	—	—	—	—					

**Notes:**

1. Data includes pressure drop due to wet coil and 1" filter.
2. Fan motor heat (MBh) = 3.15 x BHP.
3. Check General Data for indoor fan motor HP availability.
4. For 380/60Hz models: Performance is limited to standard motor CFM/static range. No high static or oversized motors are available.
5. Factory supplied motors, in commercial equipment, are definite purpose motors, specifically designed and tested to operate reliably and continuously at all cataloged conditions. Using the full horsepower range of our fan motors as shown in our tabular data will not result in nuisance tripping or premature motor failure. Our product's warranty will not be affected.

Table 51. Evaporator fan performance - TWEE072\*\*\*\* - 2-speed VFD, SZAV air handler

External Static Pressure (Inches of Water Gauge)																														
0.10"		0.20"		0.30"		0.40"		0.50"		0.60"		0.70"		0.80"		0.90"		1.00"												
CFM	RPM	HZ	BHP	RPM	HZ	BHP	RPM	HZ	BHP	RPM	HZ	BHP	RPM	HZ	BHP	RPM	HZ	BHP	RPM	HZ	BHP									
2 HP Standard Drive																														
1920	—	—	—	—	—	578	31	0.34	641	34	0.52	701	38	0.62	758	41	0.68	811	44	0.77	865	46	0.95	920	49	1.14	965	52	1.25	
2040	—	—	—	—	—	592	32	0.41	653	35	0.56	711	38	0.67	766	41	0.75	819	44	0.84	871	47	1.00	923	50	1.18	968	52	1.30	
2160	—	—	—	—	—	605	32	0.47	666	36	0.62	722	39	0.73	776	42	0.82	827	44	0.91	877	47	1.06	928	50	1.23	972	52	1.35	
2280	—	—	—	558	30	0.50	619	33	0.54	678	36	0.68	733	39	0.79	785	42	0.89	835	45	0.99	884	47	1.13	933	50	1.29	977	52	1.42
2400	—	—	—	572	31	0.52	634	34	0.62	691	37	0.74	744	40	0.86	795	43	0.96	844	45	1.08	892	48	1.21	939	50	1.35	982	53	1.49
2520	—	—	—	588	32	0.57	648	35	0.68	704	38	0.80	756	41	0.93	806	43	1.04	853	46	1.16	900	48	1.29	946	51	1.43	988	53	1.57
2640	—	—	—	604	32	0.62	663	36	0.76	717	39	0.88	768	41	1.00	817	44	1.13	863	46	1.25	908	49	1.38	953	51	1.51	995	53	1.66
2760	560	30	0.62	620	33	0.68	678	36	0.83	731	39	0.95	781	42	1.08	829	44	1.22	874	47	1.35	918	49	1.47	961	52	1.61	1003	54	1.76
2880	579	31	0.68	637	34	0.75	693	37	0.91	745	40	1.04	794	43	1.17	841	45	1.31	885	47	1.45	928	50	1.57	970	52	1.71	1011	54	1.86
3 HP High Static Drive																														
2 HP Standard Drive																														
1920	992	53	1.31	1027	55	1.41	1075	58	1.44	1100	59	1.58	1128	61	1.67	1152	62	1.75	1227	54	2.04	1241	55	2.28	1277	57	2.13	1312	58	2.24
2040	1000	54	1.38	1036	56	1.47	1082	58	1.55	1110	60	1.69	1140	61	1.79	1167	63	1.90	1229	54	2.12	1250	55	2.30	1284	57	2.28	1317	58	2.39
2160	1008	54	1.45	1046	56	1.56	1088	58	1.67	1120	60	1.80	1151	62	1.93	1193	53	2.06	1233	55	2.21	1258	56	2.37	1290	57	2.42	1323	59	2.55
2280	1016	55	1.53	1054	57	1.65	1095	59	1.78	1128	61	1.92	1165	62	2.04	1200	53	2.17	1236	55	2.32	1266	56	2.46	1297	57	2.57	1328	59	2.70
2400	1023	55	1.62	1062	57	1.75	1101	59	1.89	1137	60	2.03	1172	62	2.16	1207	53	2.30	1241	55	2.44	1273	56	2.58	1303	58	2.71	1334	59	2.85
2520	1030	55	1.72	1069	57	1.86	1107	59	2.00	1143	61	2.14	1179	62	2.28	1213	54	2.42	1246	55	2.57	1280	57	2.72	1309	58	2.85	1340	59	3.00
2640	1037	56	1.81	1076	58	1.96	1114	60	2.12	1150	61	2.26	1186	62	2.41	1220	54	2.55	1252	55	2.70	1285	57	2.86	1316	58	3.00	—	—	—
2760	1043	56	1.91	1082	58	2.06	1121	60	2.23	1157	61	2.38	1193	62	2.53	1226	54	2.68	1258	56	2.84	1291	57	3.01	—	—	—	—	—	
2880	1050	56	2.02	1087	58	2.16	1127	60	2.34	1163	61	2.50	1199	62	2.66	1233	55	2.82	1266	56	2.98	1295	57	3.15	—	—	—	—	—	

Notes:

1. 2-Speed VFD or SZAV applications are capable of running below 320 cfm/ton during low speed airflow operation, but "full" airflow must be set to 320 cfm/ton or higher.
2. Check General Data for indoor fan motor HP availability. For 380/60Hz models: Performance is limited to standard motor CFM/static range. No high static or oversized motors are available.

**Performance Data**

**Table 52. Evaporator fan performance — TWE090 — standard air handler**

External Static Pressure (Inches of Water Gauge)																						
0.10"		0.20"		0.30"		0.40"		0.50"		0.60"		0.70"		0.80"		0.90"		1.00"		1.10"		
CFM	RPM	BHP	RPM	BHP	RPM	BHP	RPM	BHP	RPM	BHP	RPM	BHP	RPM	BHP	RPM	BHP	RPM	BHP	RPM	BHP	RPM	BHP
<b>1.5 HP Standard Motor</b>											<b>2 HP High Static Motor</b>											
2400	—	—	572	0.52	634	0.62	691	0.74	744	0.85	795	0.96	844	1.08	892	1.21	939	1.35	982	1.49	1023	1.62
2550	—	—	592	0.59	652	0.70	707	0.82	759	0.95	809	1.06	856	1.18	902	1.31	947	1.45	990	1.59	1032	1.74
2700	—	—	612	0.67	670	0.79	724	0.91	774	1.05	822	1.18	868	1.29	913	1.42	957	1.56	999	1.71	1040	1.86
2850	575	0.68	633	0.73	689	0.89	741	1.01	790	1.15	837	1.29	882	1.42	925	1.55	967	1.68	1008	1.83	1048	1.99
3000	599	0.76	654	0.82	709	0.99	760	1.13	807	1.26	853	1.41	896	1.56	939	1.69	980	1.82	1020	1.97	1058	2.12
3150	623	0.85	675	0.93	729	1.11	778	1.25	825	1.39	869	1.54	911	1.70	953	1.85	992	1.98	1031	2.12	1069	2.27
3300	647	0.95	697	1.09	749	1.22	797	1.38	842	1.52	886	1.67	927	1.83	967	2.00	1007	2.15	1045	2.30	1082	2.45
3450	673	1.08	724	1.26	770	1.32	816	1.52	861	1.67	903	1.82	943	1.98	983	2.16	1020	2.33	1058	2.48	1094	2.63
3600	698	1.21	746	1.43	790	1.43	836	1.67	880	1.83	922	1.98	961	2.14	999	2.32	1037	2.51	1073	2.68	1107	2.84
External Static Pressure (Inches of Water Gauge)																						
1.20"		1.30"		1.40"		1.50"		1.60"		1.70"		1.80"		1.90"		2.00"						
CFM	RPM	BHP	RPM	BHP	RPM	BHP	RPM	BHP	RPM	BHP	RPM	BHP	RPM	BHP	RPM	BHP	RPM	BHP	RPM	BHP	RPM	BHP
<b>2 HP High Static Motor</b>			<b>3 HP Ultra High Static Motor</b>																			
2400	1062	1.75	1101	1.89	1137	2.03	1172	2.16	1207	2.30	1241	2.44	1273	2.58	1303	2.71	1334	2.85				
2550	1071	1.88	1109	2.03	1145	2.17	1181	2.32	1215	2.46	1248	2.61	1281	2.75	1311	2.89	1341	3.04				
2700	1079	2.01	1117	2.17	1154	2.32	1189	2.47	1223	2.62	1255	2.77	1288	2.93	—	—	—	—				
2850	1087	2.14	1126	2.31	1161	2.47	1198	2.63	1232	2.79	1264	2.95	—	—	—	—	—	—				
3000	1096	2.29	1135	2.46	1171	2.63	1206	2.80	1239	2.96	—	—	—	—	—	—	—	—				
3150	1105	2.43	1142	2.60	1179	2.79	1214	2.96	—	—	—	—	—	—	—	—	—	—				
3300	1118	2.61	1154	2.78	1187	2.95	—	—	—	—	—	—	—	—	—	—	—	—				
3450	1130	2.79	1164	2.96	—	—	—	—	—	—	—	—	—	—	—	—	—	—				
3600	1144	3.00	—	—	—	—	—	—	—	—	—	—	—	—	—	—	—	—				

**Notes:**

1. Data includes pressure drop due to wet coil and 1" filter.
2. Fan motor heat (MBh) = 3.15 x BHP.
3. Check General Data for indoor fan motor HP availability.
4. For 380/60Hz models: Performance is limited to standard motor CFM/static range. No high static or oversized motors are available.
5. Factory supplied motors, in commercial equipment, are definite purpose motors, specifically designed and tested to operate reliably and continuously at all cataloged conditions. Using the full horsepower range of our fan motors as shown in our tabular data will not result in nuisance tripping or premature motor failure. Our product's warranty will not be affected.

Table 53. Evaporator fan performance - TWE090\*\*\*\* - 2-speed VFD, SZVAV air handler

CFM		External Static Pressure (Inches of Water Gauge)																														
		0.10"		0.20"		0.30"		0.40"		0.50"		0.60"		0.70"		0.80"		0.90"		1.00"												
RPM	HZ	BHP	RPM	HZ	BHP	RPM	HZ	BHP	RPM	HZ	BHP	RPM	HZ	BHP	RPM	HZ	BHP	RPM	HZ	BHP	RPM	HZ	BHP	RPM	HZ	BHP	RPM	HZ	BHP	RPM	HZ	BHP
<b>2 HP Standard Drive</b>																																
2400	—	—	—	572	31	0.52	634	34	0.62	691	37	0.74	744	40	0.85	795	43	0.96	844	45	1.08	892	48	1.21	939	50	1.35	982	53	1.49		
2550	—	—	—	592	32	0.59	652	35	0.70	707	38	0.82	759	41	0.95	809	43	1.06	856	46	1.18	902	48	1.31	947	51	1.45	990	53	1.59		
2700	—	—	—	612	33	0.67	670	36	0.79	724	39	0.91	774	42	1.05	822	44	1.18	868	47	1.29	913	49	1.42	957	51	1.56	999	54	1.71		
2850	575	31	0.68	633	34	0.73	689	37	0.89	741	40	1.01	790	42	1.15	837	45	1.29	882	47	1.42	925	50	1.55	967	52	1.68	1008	54	1.83		
3000	599	32	0.76	654	35	0.82	709	38	0.99	760	41	1.13	807	43	1.26	853	46	1.41	896	48	1.56	939	50	1.69	980	53	1.82	1020	55	1.97		
3150	623	33	0.85	675	36	0.93	729	39	1.11	778	42	1.25	825	44	1.39	869	47	1.54	911	49	1.70	953	51	1.85	992	53	1.98	1031	46	2.12		
3300	647	35	0.95	697	37	1.09	749	40	1.22	797	43	1.38	842	45	1.52	886	48	1.67	927	50	1.83	967	52	2.00	1007	45	2.15	1045	46	2.30		
3450	673	36	1.08	724	39	1.26	770	41	1.32	816	44	1.52	861	46	1.67	903	48	1.82	943	51	1.98	983	44	2.16	1020	45	2.33	1058	47	2.48		
3600	698	37	1.21	746	40	1.43	790	42	1.43	836	45	1.67	880	47	1.83	922	49	1.98	961	43	2.14	999	44	2.32	1037	46	2.51	1073	48	2.68		
<b>External Static Pressure (Inches of Water Gauge)</b>																																
<b>3 HP High Static Drive</b>																																
<b>2 HP Standard Drive</b>																																
2400	1023	55	1.62	1062	57	1.75	1101	59	1.89	1137	50	2.03	1172	52	2.16	1207	53	2.30	1241	55	2.44	1273	56	2.58	1303	58	2.71	1334	59	2.85		
2550	1032	55	1.74	1071	57	1.88	1109	60	2.03	1145	51	2.17	1181	52	2.32	1215	54	2.46	1248	55	2.61	1281	57	2.75	1311	58	2.89	1341	59	3.04		
2700	1040	56	1.86	1079	58	2.01	1117	49	2.17	1154	51	2.32	1189	53	2.47	1223	54	2.62	1255	56	2.77	1288	57	2.93	—	—	—	—	—	—		
2850	1048	56	1.99	1087	48	2.14	1126	50	2.31	1161	51	2.47	1198	53	2.63	1232	55	2.79	1264	56	2.95	—	—	—	—	—	—	—	—	—		
3000	1058	47	2.12	1096	49	2.29	1135	50	2.46	1171	52	2.63	1206	53	2.80	1239	55	2.96	—	—	—	—	—	—	—	—	—	—	—	—		
3150	1069	47	2.27	1105	49	2.43	1142	51	2.60	1179	52	2.79	1214	54	2.96	—	—	—	—	—	—	—	—	—	—	—	—	—	—	—		
3300	1082	48	2.45	1118	50	2.61	1154	51	2.78	1187	53	2.95	—	—	—	—	—	—	—	—	—	—	—	—	—	—	—	—	—	—		
3450	1094	48	2.63	1130	50	2.79	1164	52	2.96	—	—	—	—	—	—	—	—	—	—	—	—	—	—	—	—	—	—	—	—	—		
3600	1107	49	2.84	1144	51	3.00	—	—	—	—	—	—	—	—	—	—	—	—	—	—	—	—	—	—	—	—	—	—	—	—		

Notes:

1. 2-Speed VFD or SZVAV applications are capable of running below 320 cfm/ton during low speed airflow operation, but "full" airflow must be set to 320 cfm/ton or higher.
2. Check General Data for indoor fan motor HP availability. For 380/60Hz models: Performance is limited to standard motor CFM/static range. No high static or oversized motors are available.

**Performance Data**

**Table 54. Evaporator fan performance — TWE120 — standard air handler**

External Static Pressure (Inches of Water Gauge)																							
		0.10"		0.20"		0.30"		0.40"		0.50"		0.60"		0.70"		0.80"		0.90"		1.00"		1.10"	
CFM	RPM	BHP	RPM	BHP	RPM	BHP	RPM	BHP	RPM	BHP	RPM	BHP	RPM	BHP	RPM	BHP	RPM	BHP	RPM	BHP	RPM	BHP	
<b>2 HP Standard Motor</b>																							
3200	—	—	—	—	588	0.87	625	0.95	658	1.03	691	1.13	722	1.22	753	1.32	783	1.40	812	1.48	839	1.58	
3400	—	—	—	—	611	1.01	646	1.09	679	1.18	711	1.27	742	1.38	771	1.48	799	1.57	828	1.67	854	1.75	
3600	—	—	598	1.04	634	1.16	668	1.26	700	1.34	731	1.44	761	1.54	789	1.65	817	1.76	844	1.86	871	1.96	
3800	588	1.17	624	1.24	658	1.29	691	1.43	722	1.53	752	1.62	781	1.72	809	1.83	835	1.95	862	2.07	887	2.18	
4000	616	1.34	651	1.47	682	1.45	714	1.63	745	1.73	774	1.83	801	1.93	829	2.04	855	2.16	880	2.28	905	2.40	
4200	643	1.52	677	1.70	706	1.65	738	1.81	767	1.95	795	2.05	823	2.15	849	2.26	874	2.38	899	2.50	923	2.63	
4400	670	1.74	703	1.94	731	1.90	761	2.00	790	2.19	818	2.29	844	2.40	870	2.51	895	2.63	919	2.75	942	2.88	
4600	698	1.97	729	2.19	756	2.20	785	2.21	814	2.44	840	2.56	866	2.67	891	2.78	915	2.90	—	—	—	—	
4800	726	2.23	755	2.46	785	2.53	809	2.47	837	2.65	863	2.85	889	2.96	—	—	—	—	—	—	—	—	
<b>External Static Pressure (Inches of Water Gauge)</b>																							
		1.20"		1.30"		1.40"		1.50"		1.60"		1.70"		1.80"		1.90"		2.00"		2.10"		2.20"	
CFM	RPM	BHP	RPM	BHP	RPM	BHP	RPM	BHP	RPM	BHP	RPM	BHP	RPM	BHP	RPM	BHP	RPM	BHP	RPM	BHP	RPM	BHP	
<b>3 HP High Static Motor</b>											<b>3 HP High Static Motor w/Field Supplied Sheave &amp; Belt</b>												
3200	866	1.67	893	1.77	920	1.88	946	1.99	971	2.10	996	2.21	1019	2.32	1044	2.43	1066	2.54	1088	2.64	1109	2.75	
3400	881	1.85	906	1.95	931	2.05	957	2.16	982	2.28	1007	2.40	1030	2.51	1054	2.63	1076	2.74	1098	2.86	1120	2.97	
3600	896	2.05	922	2.15	946	2.25	970	2.36	993	2.47	1018	2.59	1042	2.72	1065	2.84	1087	2.96	—	—	—	—	
3800	912	2.28	937	2.38	961	2.48	985	2.58	1008	2.70	1030	2.81	1053	2.93	—	—	—	—	—	—	—	—	
4000	930	2.52	953	2.62	977	2.73	1000	2.83	1022	2.94	—	—	—	—	—	—	—	—	—	—	—	—	
4200	947	2.76	970	2.89	993	3.00	—	—	—	—	—	—	—	—	—	—	—	—	—	—	—	—	
4400	—	—	—	—	—	—	—	—	—	—	—	—	—	—	—	—	—	—	—	—	—	—	
4600	—	—	—	—	—	—	—	—	—	—	—	—	—	—	—	—	—	—	—	—	—	—	
4800	—	—	—	—	—	—	—	—	—	—	—	—	—	—	—	—	—	—	—	—	—	—	

**Notes:**

1. Data includes pressure drop due to wet coil and 1" filter.
2. Fan motor heat (MBh) = 3.15 x BHP.
3. Check General Data for indoor fan motor HP availability.
4. For 380/60Hz models: Performance is limited to standard motor CFM/static range. No high static or oversized motors are available.
5. Factory supplied motors, in commercial equipment, are definite purpose motors, specifically designed and tested to operate reliably and continuously at all cataloged conditions. Using the full horsepower range of our fan motors as shown in our tabular data will not result in nuisance tripping or premature motor failure. Our product's warranty will not be affected.

Table 55. Evaporator fan performance - TWE120\*\*\*\* - 2-speed VFD, SZAV air handler

CFM		External Static Pressure (Inches of Water Gauge)																																				
		0.10"		0.20"		0.30"		0.40"		0.50"		0.60"		0.70"		0.80"		0.90"		1.00"																		
RPM	HZ	BHP	RPM	HZ	BHP	RPM	HZ	BHP	RPM	HZ	BHP	RPM	HZ	BHP	RPM	HZ	BHP	RPM	HZ	BHP	RPM	HZ	BHP	RPM	HZ	BHP	RPM	HZ	BHP	RPM	HZ	BHP						
<b>2 HP Standard Drive</b>																																						
3200	—	—	—	—	—	588	38	0.87	625	41	0.95	658	43	1.03	691	45	1.13	722	47	1.22	753	49	1.32	783	51	1.40	812	53	1.48	—	—	—	—	—	—	—	—	
3400	—	—	—	—	—	611	40	1.01	646	42	1.09	679	44	1.18	711	47	1.27	742	49	1.38	771	50	1.48	799	52	1.57	828	44	1.67	—	—	—	—	—	—	—	—	—
3600	—	—	—	—	—	598	39	1.04	634	41	1.16	668	44	1.34	731	48	1.44	761	50	1.54	789	52	1.65	817	53	1.76	844	45	1.86	—	—	—	—	—	—	—	—	—
3800	588	38	1.17	624	41	1.24	658	43	1.29	691	45	1.43	722	47	1.53	752	49	1.62	781	51	1.72	809	53	1.83	835	44	1.95	862	46	2.07	—	—	—	—	—	—	—	—
4000	616	40	1.34	651	43	1.47	682	45	1.45	714	47	1.63	745	49	1.73	774	51	1.83	801	52	1.93	829	44	2.04	855	45	2.16	880	47	2.28	—	—	—	—	—	—	—	—
4200	643	42	1.52	677	44	1.70	706	46	1.65	738	48	1.81	767	50	1.95	795	42	2.05	823	44	2.15	849	45	2.26	874	46	2.38	899	48	2.50	—	—	—	—	—	—	—	—
4400	670	44	1.74	703	46	1.94	731	48	1.90	761	50	2.00	790	42	2.19	818	43	2.29	844	45	2.40	870	46	2.51	895	47	2.63	919	49	2.75	—	—	—	—	—	—	—	—
4600	698	46	1.97	729	39	2.19	756	40	2.20	785	42	2.21	814	43	2.44	840	44	2.56	866	46	2.67	891	47	2.78	915	48	2.90	—	—	—	—	—	—	—	—	—	—	—
4800	726	38	2.23	755	40	2.46	785	42	2.53	809	43	2.47	837	44	2.65	863	46	2.85	889	47	2.96	—	—	—	—	—	—	—	—	—	—	—	—	—	—	—	—	—
<b>External Static Pressure (Inches of Water Gauge)</b>																																						
CFM		1.10"		1.20"		1.30"		1.40"		1.50"		1.60"		1.70"		1.80"		1.90"		2.00"																		
		RPM	HZ	BHP	RPM	HZ	BHP	RPM	HZ	BHP	RPM	HZ	BHP	RPM	HZ	BHP	RPM	HZ	BHP	RPM	HZ	BHP																
3200	839	44	1.58	866	46	1.67	893	47	1.77	920	49	1.88	946	50	1.99	971	51	2.10	996	53	2.21	1019	54	2.32	1044	55	2.43	1066	56	2.54	—	—	—	—	—	—	—	
3400	854	45	1.75	881	47	1.85	906	48	1.95	931	49	2.05	957	51	2.16	982	52	2.28	1007	53	2.40	1030	54	2.51	1054	56	2.63	1076	57	2.74	—	—	—	—	—	—	—	
3600	871	46	1.96	896	47	2.05	922	49	2.15	946	50	2.25	970	51	2.36	993	53	2.47	1018	54	2.59	1042	55	2.72	1065	56	2.84	1087	58	2.96	—	—	—	—	—	—	—	
3800	887	47	2.18	912	48	2.28	937	50	2.38	961	51	2.48	985	52	2.58	1008	53	2.70	1030	54	2.81	1053	56	2.93	—	—	—	—	—	—	—	—	—	—	—	—	—	
4000	905	48	2.40	930	49	2.52	953	50	2.62	977	52	2.73	1000	53	2.83	1022	54	2.94	—	—	—	—	—	—	—	—	—	—	—	—	—	—	—	—	—	—	—	
4200	923	49	2.63	947	50	2.76	970	51	2.89	993	53	3.00	—	—	—	—	—	—	—	—	—	—	—	—	—	—	—	—	—	—	—	—	—	—	—	—		
4400	942	50	2.88	—	—	—	—	—	—	—	—	—	—	—	—	—	—	—	—	—	—	—	—	—	—	—	—	—	—	—	—	—	—	—	—	—		
4600	—	—	—	—	—	—	—	—	—	—	—	—	—	—	—	—	—	—	—	—	—	—	—	—	—	—	—	—	—	—	—	—	—	—	—	—	—	
4800	—	—	—	—	—	—	—	—	—	—	—	—	—	—	—	—	—	—	—	—	—	—	—	—	—	—	—	—	—	—	—	—	—	—	—	—	—	
<b>External Static Pressure (Inches of Water Gauge)</b>																																						
CFM		2.10"		2.20"																																		
		RPM	HZ	BHP	RPM	HZ	BHP																															
3200	1088	58	2.64	1109	59	2.75																																
3400	1098	58	2.86	1120	59	2.97																																
3600	—	—	—	—	—	—																																
3800	—	—	—	—	—	—																																
4000	—	—	—	—	—	—																																
4200	—	—	—	—	—	—																																
4400	—	—	—	—	—	—																																
4600	—	—	—	—	—	—																																
4800	—	—	—	—	—	—																																
<b>3 HP High Static Drive</b>																																						

Notes:  
 1. 2-Speed VFD or SZAV applications are capable of running below 320 cfm/ton during low speed airflow operation, but "full" airflow must be set to 320 cfm/ton or higher.  
 2. Check General Data for indoor fan motor HP availability. For 380/60Hz models: Performance is limited to standard motor CFM/static range. No high static or oversized motors are available.

**Performance Data**

**Table 56. Evaporator fan performance — TWE150 — standard air handler**

External Static Pressure (Inches of Water Gauge)																						
0.10"		0.20"		0.30"		0.40"		0.50"		0.60"		0.70"		0.80"		0.90"		1.00"		1.10"		
CFM	RPM	BHP	RPM	BHP	RPM	BHP	RPM	BHP	RPM	BHP	RPM	BHP	RPM	BHP	RPM	BHP	RPM	BHP	RPM	BHP	RPM	BHP
										<b>2 HP Standard Motor</b>						<b>2 HP Standard Motor w/Field Supplied Sheave &amp; Belt</b>						
4000	—	—	—	—	—	—	614	0.85	658	0.98	698	1.12	728	1.22	756	1.32	786	1.43	817	1.56	849	1.70
4200	—	—	—	—	581	0.80	627	0.93	669	1.05	710	1.21	744	1.34	772	1.44	799	1.55	827	1.66	858	1.80
4400	—	—	—	—	595	0.88	640	1.02	682	1.15	722	1.29	758	1.45	789	1.58	814	1.68	840	1.79	867	1.92
4600	—	—	563	0.82	609	0.96	653	1.11	695	1.25	732	1.38	771	1.55	804	1.71	831	1.83	856	1.94	880	2.05
4800	—	—	579	0.90	624	1.05	667	1.20	707	1.35	745	1.50	783	1.66	817	1.83	847	1.98	872	2.10	896	2.22
5000	—	—	595	0.99	639	1.15	681	1.31	721	1.47	759	1.62	794	1.77	828	1.94	861	2.12	888	2.27	911	2.39
5200	568	0.95	612	1.09	655	1.25	695	1.42	735	1.58	771	1.74	806	1.90	840	2.06	873	2.25	903	2.43	927	2.57
5400	587	1.05	628	1.20	670	1.36	710	1.53	748	1.71	784	1.88	819	2.04	852	2.20	885	2.38	915	2.58	943	2.76
5600	605	1.16	645	1.31	686	1.48	724	1.66	762	1.83	798	2.01	832	2.19	864	2.35	896	2.52	928	2.73	956	2.92
5800	624	1.28	662	1.43	702	1.60	740	1.79	777	1.97	812	2.15	845	2.34	877	2.51	908	2.68	938	2.87	969	3.09
6000	643	1.40	679	1.56	719	1.74	755	1.92	791	2.12	826	2.30	858	2.49	891	2.68	920	2.86	950	3.03	980	3.25
External Static Pressure (Inches of Water Gauge)																						
1.20"		1.30"		1.40"		1.50"		1.60"		1.70"		1.80"		1.90"		2.00"		2.10"		2.20"		
CFM	RPM	BHP	RPM	BHP	RPM	BHP	RPM	BHP	RPM	BHP	RPM	BHP	RPM	BHP	RPM	BHP	RPM	BHP	RPM	BHP	RPM	BHP
										<b>3 HP High Static Motor</b>						<b>5 HP Ultra High Static Motor</b>						
4000	882	1.85	915	2.02	947	2.19	976	2.36	1002	2.52	1028	2.69	1053	2.86	1078	3.03	1101	3.20	1126	3.38	1148	3.54
4200	888	1.95	919	2.11	950	2.28	980	2.45	1010	2.64	1036	2.81	1061	2.98	1085	3.15	1109	3.33	1132	3.51	1155	3.69
4400	896	2.06	925	2.21	955	2.38	985	2.55	1013	2.73	1044	2.93	1070	3.11	1094	3.30	1117	3.47	1141	3.66	1163	3.84
4600	906	2.19	934	2.33	961	2.49	989	2.66	1018	2.84	1045	3.02	1074	3.22	1101	3.43	1125	3.61	1150	3.81	1172	4.00
4800	918	2.33	944	2.47	970	2.63	996	2.79	1023	2.96	1051	3.15	1078	3.34	1105	3.55	1131	3.74	1157	3.96	1179	4.15
5000	934	2.51	956	2.64	980	2.78	1005	2.93	1031	3.11	1057	3.28	1083	3.48	1109	3.67	1135	3.87	1161	4.09	1186	4.30
5200	950	2.71	972	2.83	993	2.95	1016	3.11	1040	3.27	1064	3.43	1090	3.62	1115	3.82	1139	4.01	1164	4.21	1189	4.44
5400	966	2.90	989	3.04	1008	3.17	1029	3.30	1051	3.45	1075	3.62	1098	3.79	1122	3.98	1146	4.17	1170	4.38	1193	4.58
5600	982	3.11	1004	3.25	1025	3.39	1045	3.52	1065	3.66	1085	3.81	1108	3.98	1130	4.16	1153	4.35	1176	4.55	1198	4.74
5800	996	3.29	1020	3.47	1041	3.62	1062	3.77	1081	3.91	1099	4.04	1120	4.20	1141	4.37	1162	4.55	1184	4.74	1206	4.94
6000	1008	3.46	1034	3.67	1057	3.86	1077	4.01	1097	4.16	1115	4.30	1134	4.45	1153	4.60	1174	4.78	1194	4.96	—	—
External Static Pressure (Inches of Water Gauge)																						
2.30"		2.40"																				
CFM	RPM	BHP	RPM	BHP																		
<b>5 HP Ultra High Static Motor</b>																						
4000	1170	3.73	1191	3.89																		
4200	1179	3.88	1200	4.06																		
4400	1186	4.03	1208	4.23																		
4600	1193	4.18	1215	4.37																		
4800	1202	4.36	—	—																		
5000	1210	4.52	—	—																		
5200	1214	4.66	—	—																		
5400	1218	4.81	—	—																		
5600	1222	4.97	—	—																		
5800	—	—	—	—																		
6000	—	—	—	—																		

**Notes:**

1. Data includes pressure drop due to wet coil and 1" filter.
2. Fan motor heat (MBh) = 3.15 x BHP.
3. Check General Data for indoor fan motor HP availability.
4. For 380/60Hz models: Performance is limited to standard motor CFM/static range. No high static or oversized motors are available.
5. Factory supplied motors, in commercial equipment, are definite purpose motors, specifically designed and tested to operate reliably and continuously at all cataloged conditions. Using the full horsepower range of our fan motors as shown in our tabular data will not result in nuisance tripping or premature motor failure. Our product's warranty will not be affected.





**Performance Data**

**Table 58. Evaporator fan performance — TWE180 — standard air handler**

External Static Pressure (Inches of Water Gauge)																								
		0.10"		0.20"		0.30"		0.40"		0.50"		0.60"		0.70"		0.80"		0.90"		1.00"		1.10"		
CFM	RPM	BHP	RPM	BHP	RPM	BHP	RPM	BHP	RPM	BHP	RPM	BHP	RPM	BHP	RPM	BHP	RPM	BHP	RPM	BHP	RPM	BHP	RPM	BHP
3 HP Standard Motor w/ Field Supplied Sheave & Belt											3 HP Standard Motor											5 HP High Static Motor		
4800	492	0.80	539	0.94	583	1.08	624	1.21	663	1.34	701	1.49	738	1.66	774	1.82	807	1.98	839	2.14	869	2.30	883	2.52
5100	517	0.95	562	1.08	604	1.24	644	1.38	681	1.52	718	1.67	753	1.83	788	2.00	821	2.18	853	2.35	883	2.52	897	2.75
5400	542	1.11	585	1.25	625	1.41	663	1.57	700	1.71	735	1.86	769	2.02	802	2.20	835	2.38	866	2.57	897	2.75	910	2.99
5700	567	1.29	609	1.43	647	1.60	684	1.78	719	1.93	753	2.08	786	2.24	818	2.41	849	2.60	881	2.80	910	2.99	924	3.25
6000	593	1.48	632	1.64	669	1.80	705	1.99	739	2.16	773	2.32	804	2.48	835	2.66	865	2.84	895	3.04	924	3.25	939	3.52
6300	619	1.70	656	1.86	692	2.03	726	2.22	760	2.42	792	2.59	823	2.75	853	2.93	882	3.12	910	3.31	939	3.52	954	3.81
6600	644	1.94	681	2.11	715	2.28	748	2.48	781	2.69	811	2.87	841	3.04	871	3.22	899	3.40	927	3.60	954	3.81	971	4.13
6900	670	2.20	705	2.37	739	2.55	771	2.75	802	2.97	832	3.18	861	3.36	890	3.54	917	3.72	944	3.92	971	4.13	988	4.48
7200	696	2.49	730	2.66	763	2.85	794	3.05	824	3.27	853	3.49	881	3.70	909	3.89	936	4.08	963	4.28	988	4.48		
External Static Pressure (Inches of Water Gauge)																								
		1.20"		1.30"		1.40"		1.50"		1.60"		1.70"		1.80"		1.90"		2.00"		2.10"		2.20"		
CFM	RPM	BHP	RPM	BHP	RPM	BHP	RPM	BHP	RPM	BHP	RPM	BHP	RPM	BHP	RPM	BHP	RPM	BHP	RPM	BHP	RPM	BHP	RPM	BHP
5 HP High Static Motor											5 HP High Static Motor w/ Field Supplied Sheave & Belt													
4800	897	2.46	926	2.62	953	2.77	979	2.93	1004	3.08	1029	3.24	1051	3.38	1075	3.54	1097	3.69	1120	3.84	1141	3.99	1154	4.33
5100	911	2.69	940	2.86	965	3.02	992	3.19	1017	3.36	1042	3.52	1065	3.68	1088	3.84	1111	4.02	1132	4.17	1154	4.33	1167	4.69
5400	925	2.93	953	3.11	980	3.29	1005	3.47	1031	3.65	1055	3.82	1078	3.99	1102	4.17	1123	4.34	1146	4.52	1167	4.69	1180	5.06
5700	940	3.19	966	3.38	993	3.57	1019	3.75	1044	3.94	1068	4.13	1092	4.32	1114	4.50	1137	4.69	1159	4.87	1180	5.06		
6000	953	3.45	980	3.65	1008	3.86	1033	4.06	1057	4.26	1081	4.45	1105	4.66	1129	4.86	1150	5.05						
6300	967	3.73	995	3.95	1022	4.17	1046	4.37	1071	4.59	1095	4.79	1119	5.01										
6600	981	4.02	1009	4.25	1035	4.48	1061	4.71	1085	4.93														
6900	998	4.35	1022	4.57	1049	4.81	1074	5.04																
7200	1014	4.70	1039	4.93	1063	5.15																		
External Static Pressure (Inches of Water Gauge)																								
		2.30"		2.40"																				
CFM	RPM	BHP	RPM	BHP																				
5 HP High Static Motor w/ Field Supplied Sheave & Belt																								
4800	1162	4.14	1183	4.30																				
5100	1175	4.49	1196	4.66																				
5400	1188	4.86	1209	5.04																				
5700	—	—	—	—																				
6000	—	—	—	—																				
6300	—	—	—	—																				
6600	—	—	—	—																				
6900	—	—	—	—																				
7200	—	—	—	—																				

**Notes:**

1. Data includes pressure drop due to wet coil and 1" filter.
2. Fan motor heat (MBh) = 3.15 x BHP.
3. Check General Data for indoor fan motor HP availability.
4. For 380/60Hz models: Performance is limited to standard motor CFM/static range. No high static or oversized motors are available.
5. Factory supplied motors, in commercial equipment, are definite purpose motors, specifically designed and tested to operate reliably and continuously at all cataloged conditions. Using the full horsepower range of our fan motors as shown in our tabular data will not result in nuisance tripping or premature motor failure. Our product's warranty will not be affected.

Table 59. Evaporator fan performance - TWE180\*\*\*\* - 2-speed VFD, SZ/AV air handler

		External Static Pressure (Inches of Water Gauge)																									
		0.10"		0.20"		0.30"		0.40"		0.50"		0.60"		0.70"		0.80"		0.90"									
CFM	RPM	Hz	BHP	RPM	Hz	BHP	RPM	Hz	BHP	RPM	Hz	BHP	RPM	Hz	BHP	RPM	Hz	BHP	RPM	Hz	BHP						
<b>3 HP Standard Drive</b>																											
4800	—	—	—	539	38	0.94	583	41	1.08	624	44	1.21	663	47	1.34	701	49	1.49	738	52	1.66	774	54	1.82	807	57	1.98
5100	—	—	—	562	39	1.08	604	42	1.24	644	45	1.38	681	48	1.52	718	50	1.67	753	53	1.83	788	55	2.00	821	58	2.18
5400	542	38	1.11	585	41	1.25	625	44	1.41	663	47	1.57	700	49	1.71	735	52	1.86	769	54	2.02	802	56	2.20	835	59	2.38
5700	567	40	1.29	609	43	1.43	647	45	1.60	684	48	1.78	719	51	1.93	753	53	2.08	786	55	2.24	818	57	2.41	849	60	2.60
6000	593	42	1.48	632	44	1.64	669	47	1.80	705	50	1.99	739	52	2.16	773	54	2.32	804	56	2.48	835	59	2.66	865	62	2.84
6300	619	43	1.70	656	46	1.86	692	49	2.03	726	51	2.22	760	53	2.42	792	55	2.59	823	58	2.75	853	60	2.93	882	63	3.12
6600	644	45	1.94	681	48	2.11	715	50	2.28	748	53	2.48	781	55	2.69	811	57	2.87	841	59	3.04	871	61	3.22	899	64	3.40
6900	670	47	2.20	705	50	2.37	739	52	2.55	771	54	2.75	802	56	2.97	832	58	3.18	861	61	3.36	890	63	3.54	917	66	3.72
7200	696	49	2.49	730	51	2.66	763	54	2.85	794	56	3.05	824	58	3.27	853	60	3.49	881	62	3.70	909	64	3.89	936	67	4.08
<b>External Static Pressure (Inches of Water Gauge)</b>																											
		1.00"		1.10"		1.20"		1.30"		1.40"		1.50"		1.60"		1.70"		1.80"									
CFM	RPM	Hz	BHP	RPM	Hz	BHP	RPM	Hz	BHP	RPM	Hz	BHP	RPM	Hz	BHP	RPM	Hz	BHP	RPM	Hz	BHP						
<b>3 HP Standard Drive</b>																											
4800	839	59	2.14	869	44	2.30	897	45	2.46	926	47	2.62	953	48	2.77	979	49	2.93	1004	51	3.08	1029	52	3.24	1051	53	3.38
5100	853	60	2.35	883	44	2.52	911	46	2.69	940	47	2.86	965	49	3.02	992	50	3.19	1017	51	3.36	1042	52	3.52	1065	54	3.68
5400	866	44	2.57	897	45	2.75	925	47	2.93	953	48	3.11	980	49	3.29	1005	51	3.47	1031	52	3.65	1055	53	3.82	1078	54	3.99
5700	881	44	2.80	910	46	2.99	940	47	3.19	966	49	3.38	993	50	3.57	1019	51	3.75	1044	53	3.94	1068	54	4.13	1092	55	4.32
6000	895	45	3.04	924	47	3.25	953	48	3.45	980	49	3.65	1008	51	3.86	1033	52	4.06	1057	53	4.26	1081	54	4.45	1105	56	4.66
6300	910	46	3.31	939	47	3.52	967	49	3.73	995	50	3.95	1022	51	4.17	1046	53	4.37	1071	54	4.59	1095	55	4.79	1119	56	5.01
6600	927	47	3.60	954	48	3.81	981	49	4.02	1009	51	4.25	1035	52	4.48	1061	53	4.71	1085	55	4.93	—	—	—	—	—	
6900	944	48	3.92	971	49	4.13	998	50	4.35	1022	51	4.57	1049	53	4.81	1074	54	5.04	—	—	—	—	—	—	—	—	
7200	963	49	4.28	988	50	4.48	1014	51	4.70	1039	52	4.93	1063	54	5.15	—	—	—	—	—	—	—	—	—	—	—	
<b>External Static Pressure (Inches of Water Gauge)</b>																											
		1.90"		2.00"		2.10"		2.20"		2.30"		2.40"															
CFM	RPM	Hz	BHP	RPM	Hz	BHP	RPM	Hz	BHP	RPM	Hz	BHP	RPM	Hz	BHP												
<b>5 HP High Static Drive</b>																											
4800	1075	54	3.54	1097	55	3.69	1120	56	3.84	1141	57	3.99	1162	59	4.14	1183	60	4.30	—	—	—	—	—	—	—		
5100	1088	55	3.84	1111	56	4.02	1132	57	4.17	1154	58	4.33	1175	59	4.49	1196	60	4.66	—	—	—	—	—	—	—		
5400	1102	56	4.17	1123	57	4.34	1146	58	4.52	1167	59	4.69	1188	60	4.86	—	—	—	—	—	—	—	—	—	—		
5700	1114	56	4.50	1137	57	4.69	1159	58	4.87	1180	59	5.06	—	—	—	—	—	—	—	—	—	—	—	—	—		
6000	1129	57	4.86	1150	58	5.05	—	—	—	—	—	—	—	—	—	—	—	—	—	—	—	—	—	—	—		
6300	—	—	—	—	—	—	—	—	—	—	—	—	—	—	—	—	—	—	—	—	—	—	—	—	—		
6600	—	—	—	—	—	—	—	—	—	—	—	—	—	—	—	—	—	—	—	—	—	—	—	—	—		
6900	—	—	—	—	—	—	—	—	—	—	—	—	—	—	—	—	—	—	—	—	—	—	—	—	—		
7200	—	—	—	—	—	—	—	—	—	—	—	—	—	—	—	—	—	—	—	—	—	—	—	—	—		

**Notes:**  
1. 2-Speed VFD or SZ/AV applications are capable of running below 320 cfm/ton during low speed airflow operation, but "full" airflow must be set to 320 cfm/ton or higher.  
2. Check General Data for indoor fan motor HP availability. For 380/60Hz models: Performance is limited to standard motor CFM/static range. No high static or oversized motors are available.

**Performance Data**

**Table 60. Evaporator fan performance — TWE240 — standard air handler**

External Static Pressure (Inches of Water Gauge)																					
0.10"		0.20"		0.30"		0.40"		0.50"		0.60"		0.70"		0.80"		0.90"		1.00"			
CFM	RPM	BHP	RPM	BHP	RPM	BHP	RPM	BHP	RPM	BHP	RPM	BHP	RPM	BHP	RPM	BHP	RPM	BHP	RPM	BHP	
										<b>3 HP Low Static Motor</b>						<b>5 HP Standard Motor</b>					
6400	—	—	—	—	652	1.55	693	1.70	732	1.86	769	2.02	802	2.17	833	2.33	867	2.53	901	2.75	
6800	—	—	—	—	677	1.79	717	1.96	754	2.12	791	2.29	824	2.46	855	2.62	885	2.79	916	3.00	
7200	—	—	661	1.87	703	2.05	742	2.24	778	2.42	812	2.59	846	2.77	878	2.95	906	3.11	934	3.29	
7600	647	1.98	688	2.15	729	2.34	766	2.55	802	2.74	835	2.92	868	3.10	900	3.29	929	3.48	956	3.66	
8000	677	2.29	716	2.47	755	2.67	791	2.88	826	3.09	858	3.28	889	3.47	921	3.67	951	3.87	979	4.06	
8400	707	2.63	744	2.82	781	3.02	817	3.24	851	3.46	883	3.68	913	3.87	942	4.07	972	4.28	1000	4.49	
8800	737	3.01	773	3.21	808	3.41	843	3.63	876	3.87	907	4.10	937	4.31	965	4.52	994	4.73	1022	4.95	
9200	767	3.41	802	3.63	836	3.84	869	4.06	901	4.30	932	4.55	961	4.79	989	5.00	1016	5.21	1044	5.44	
9600	797	3.86	831	4.08	863	4.30	896	4.53	927	4.78	957	5.03	986	5.29	1013	5.52	1040	5.75	1065	5.97	
External Static Pressure (Inches of Water Gauge)																					
1.10"		1.20"		1.30"		1.40"		1.50"		1.60"		1.70"		1.80"		1.90"		2.00"			
CFM	RPM	BHP	RPM	BHP	RPM	BHP	RPM	BHP	RPM	BHP	RPM	BHP	RPM	BHP	RPM	BHP	RPM	BHP	RPM	BHP	
				<b>5 HP High Standard Motor w/Field Supplied Sheaves</b>								<b>7.5 HP Ultra High Static Motor</b>				<b>7.5 HP Ultra High Static Motor w/Field Supplied Fan Sheave &amp; Belt</b>					
<b>5 HP Standard Motor</b>																					
6400	934	2.95	965	3.16	996	3.37	1028	3.58	1059	3.81	1091	4.03	1120	4.25	1148	4.46	1177	4.69	1204	4.90	
6800	948	3.22	979	3.45	1008	3.66	1039	3.89	1069	4.12	1099	4.35	1128	4.58	1156	4.81	1185	5.05	1212	5.28	
7200	964	3.51	994	3.75	1024	3.99	1052	4.22	1079	4.45	1108	4.69	1136	4.93	1166	5.19	1193	5.43	1219	5.67	
7600	982	3.85	1011	4.07	1039	4.31	1066	4.56	1095	4.82	1121	5.06	1148	5.31	1174	5.56	1202	5.82	1228	6.07	
8000	1004	4.25	1029	4.45	1055	4.67	1082	4.92	1109	5.19	1136	5.46	1161	5.71	1186	5.97	1213	6.24	1236	6.48	
8400	1027	4.70	1051	4.90	1075	5.10	1100	5.33	1125	5.58	1151	5.85	1177	6.14	1202	6.42	1225	6.68	1250	6.96	
8800	1049	5.17	1074	5.39	1097	5.59	1120	5.81	1144	6.03	1168	6.30	1192	6.57	1216	6.85	1241	7.16	1264	7.44	
9200	1071	5.68	1096	5.90	1120	6.13	1143	6.34	1164	6.56	1186	6.79	1209	7.05	1233	7.35	—	—	—	—	
9600	1092	6.21	1117	6.45	1142	6.69	1166	6.93	1187	7.15	1208	7.38	—	—	—	—	—	—	—	—	
External Static Pressure (Inches of Water Gauge)																					
2.10"		2.20"		2.30"		2.40"															
CFM	RPM	BHP	RPM	BHP	RPM	BHP	RPM	BHP													
<b>7.5 HP Ultra High Static Motor w/Field Supplied Fan Sheave &amp; Belt</b>																					
6400	1230	5.11	1257	5.33	1282	5.54	1308	5.77													
6800	1239	5.52	1265	5.75	1290	5.98	1315	6.20													
7200	1246	5.92	1272	6.17	1298	6.41	1323	6.66													
7600	1255	6.35	1282	6.61	1306	6.86	—	—													
8000	1262	6.76	1289	7.04	1313	7.31	—	—													
8400	1273	7.22	—	—	—	—	—	—													
8800	—	—	—	—	—	—	—	—													
9200	—	—	—	—	—	—	—	—													
9600	—	—	—	—	—	—	—	—													

**Notes:**

1. Data includes pressure drop due to wet coil and 1" filter.
2. Fan motor heat (MBh) = 3.15 x BHP.
3. Check General Data for indoor fan motor HP availability.
4. For 380/60Hz models: Performance is limited to standard motor CFM/static range. No high static or oversized motors are available.
5. Factory supplied motors, in commercial equipment, are definite purpose motors, specifically designed and tested to operate reliably and continuously at all cataloged conditions. Using the full horsepower range of our fan motors as shown in our tabular data will not result in nuisance tripping or premature motor failure. Our product's warranty will not be affected.

Table 61. Evaporator fan performance - TWE240\*\*\*\* - 2-speed VFD, SZVAV air handler

External Static Pressure (Inches of Water Gauge)																														
0.10"		0.20"		0.30"		0.40"		0.50"		0.60"		0.70"		0.80"		0.90"		1.00"												
CFM	RPM	HZ	BHP	RPM	HZ	BHP	RPM	HZ	BHP	RPM	HZ	BHP	RPM	HZ	BHP	RPM	HZ	BHP	RPM	HZ	BHP									
5 HP Standard Drive																														
6400	—	—	—	—	—	—	—	—	732	39	1.86	769	41	2.02	802	42	2.17	833	44	2.33	867	46	2.53	901	47	2.75				
6800	—	—	—	—	—	—	717	38	1.96	754	40	2.12	791	42	2.29	824	43	2.46	855	45	2.62	885	47	2.79	916	48	3.00			
7200	—	—	—	—	—	—	742	39	2.24	778	41	2.42	812	43	2.59	846	45	2.77	878	46	2.95	906	48	3.11	934	49	3.29			
7600	—	—	—	—	729	38	2.34	766	40	2.55	802	42	2.74	835	44	2.92	868	46	3.10	900	47	3.29	929	49	3.48	956	50	3.66		
8000	—	—	—	716	38	2.47	755	40	2.67	791	42	2.88	826	44	3.09	858	45	3.28	889	47	3.47	921	49	3.67	951	50	3.87	979	52	4.06
8400	—	—	—	744	39	2.82	781	41	3.02	817	43	3.24	851	45	3.46	883	47	3.68	913	48	3.87	942	50	4.07	972	51	4.28	1000	53	4.49
8800	737	39	3.01	773	41	3.21	808	43	3.41	843	44	3.63	876	46	3.87	907	48	4.10	937	49	4.31	965	51	4.52	994	52	4.73	1022	54	4.95
9200	767	40	3.41	802	42	3.63	836	44	3.84	869	46	4.06	901	47	4.30	932	49	4.55	961	51	4.79	989	52	5.00	1016	46	5.21	1044	47	5.44
9600	797	42	3.86	831	44	4.08	863	45	4.30	896	47	4.53	927	49	4.78	957	50	5.03	986	45	5.29	1013	46	5.52	1040	47	5.75	1065	48	5.97
External Static Pressure (Inches of Water Gauge)																														
1.10"		1.20"		1.30"		1.40"		1.50"		1.60"		1.70"		1.80"		1.90"		2.00"												
CFM	RPM	HZ	BHP	RPM	HZ	BHP	RPM	HZ	BHP	RPM	HZ	BHP	RPM	HZ	BHP	RPM	HZ	BHP	RPM	HZ	BHP									
7.5 HP Standard Drive																														
6400	934	49	2.95	965	51	3.16	996	52	3.37	1028	54	3.58	1059	56	3.81	1091	57	4.03	1120	51	4.25	1148	52	4.46	1177	53	4.69	1204	55	4.90
6800	948	50	3.22	979	52	3.45	1008	53	3.66	1039	55	3.89	1069	56	4.12	1099	50	4.35	1128	51	4.58	1156	53	4.81	1185	54	5.05	1212	55	5.28
7200	964	51	3.51	994	52	3.75	1024	54	3.99	1052	55	4.22	1079	57	4.45	1108	50	4.69	1136	52	4.93	1166	53	5.19	1193	54	5.43	1219	55	5.67
7600	982	52	3.85	1011	53	4.07	1039	55	4.31	1066	56	4.56	1095	50	4.82	1121	51	5.06	1148	52	5.31	1174	53	5.56	1202	55	5.82	1228	56	6.07
8000	1004	53	4.25	1029	54	4.45	1055	56	4.67	1082	57	4.92	1109	50	5.19	1136	52	5.46	1161	53	5.71	1186	54	5.97	1213	55	6.24	1236	56	6.48
8400	1027	54	4.70	1051	55	4.90	1075	57	5.10	1100	50	5.33	1125	51	5.58	1151	52	5.85	1177	53	6.14	1202	55	6.42	1225	56	6.68	1250	57	6.96
8800	1049	48	5.17	1074	49	5.39	1097	50	5.59	1120	51	5.81	1144	52	6.03	1168	53	6.30	1192	54	6.57	1216	55	6.85	1241	56	7.16	1264	57	7.44
9200	1071	49	5.68	1096	50	5.90	1120	51	6.13	1143	52	6.34	1164	53	6.56	1186	54	6.79	1209	55	7.05	1233	56	7.35	—	—	—	—	—	—
9600	1092	50	6.21	1117	51	6.45	1142	52	6.69	1166	53	6.93	1187	54	7.15	1208	55	7.38	—	—	—	—	—	—	—	—	—	—	—	—
External Static Pressure (Inches of Water Gauge)																														
2.10"		2.20"		2.30"		2.40"																								
CFM	RPM	HZ	BHP	RPM	HZ	BHP	RPM	HZ	BHP																					
7.5 HP Standard Drive																														
6400	1230	56	5.11	1257	57	5.33	1282	58	5.54	1308	59	5.77																		
6800	1239	56	5.52	1265	57	5.75	1290	59	5.98	1315	60	6.20																		
7200	1246	57	5.92	1272	58	6.17	1298	59	6.41	1323	60	6.66																		
7600	1255	57	6.35	1282	58	6.61	1306	59	6.86																					
8000	1262	57	6.76	1289	59	7.04	1313	60	7.31																					
8400	1273	58	7.22																											
8800	—	—	—																											
9200	—	—	—																											
9600	—	—	—																											

Notes:  
 1. 2-Speed VFD or SZVAV applications are capable of running below 320 cfm/ton during low speed airflow operation, but "full" airflow must be set to 320 cfm/ton or higher.  
 2. Check General Data for indoor fan motor HP availability. For 380/60Hz models: Performance is limited to standard motor CFM/static range. No high static or oversized motors are available.

**Performance Data**

**Table 62. Evaporator fan performance — TWE300 — standard air handler**

External Static Pressure (Inches of Water Gauge)																							
		0.10"		0.20"		0.30"		0.40"		0.50"		0.60"		0.70"		0.80"		0.90"		1.00"		1.10"	
CFM	RPM	BHP	RPM	BHP	RPM	BHP	RPM	BHP	RPM	BHP	RPM	BHP	RPM	BHP	RPM	BHP	RPM	BHP	RPM	BHP	RPM	BHP	
<b>7.5 HP Standard Motor &amp; Low Static Drive Field Installed Sheaves</b>											<b>7.5 HP Standard Motor &amp; Drive</b>												
8000	—	—	—	—	702	2.23	734	2.42	765	2.60	796	2.80	826	3.02	852	3.16	877	3.29	904	3.49	932	3.74	
8500	—	—	—	—	733	2.58	765	2.80	794	2.99	824	3.19	853	3.41	881	3.64	905	3.79	928	3.92	953	4.12	
9000	—	—	730	2.74	764	2.98	796	3.21	825	3.43	852	3.63	879	3.85	908	4.09	933	4.33	956	4.49	977	4.61	
9500	727	2.89	763	3.16	796	3.42	826	3.67	855	3.91	881	4.12	907	4.34	934	4.58	960	4.83	984	5.08	1006	5.26	
10000	761	3.34	796	3.62	828	3.90	857	4.17	886	4.42	912	4.67	936	4.88	961	5.12	986	5.37	1011	5.64	1034	5.91	
10500	796	3.83	829	4.14	860	4.43	889	4.71	916	4.98	942	5.25	966	5.49	990	5.72	1013	5.97	1038	6.25	1061	6.52	
11000	831	4.37	863	4.69	893	5.00	921	5.30	947	5.59	973	5.88	997	6.15	1019	6.39	1042	6.64	1064	6.90	1087	7.18	
11500	866	4.96	896	5.30	925	5.63	953	5.94	979	6.25	1004	6.55	1028	6.84	1050	7.11	1071	7.36	1093	7.63	1114	7.90	
12000	900	5.61	930	5.96	958	6.30	985	6.64	1010	6.96	1035	7.28	1058	7.59	1081	7.89	1101	8.16	1122	8.42	—	—	
External Static Pressure (Inches of Water Gauge)																							
		1.20"		1.30"		1.40"		1.50"		1.60"		1.70"		1.80"		1.90"		2.00"		2.10"		2.20"	
CFM	RPM	BHP	RPM	BHP	RPM	BHP	RPM	BHP	RPM	BHP	RPM	BHP	RPM	BHP	RPM	BHP	RPM	BHP	RPM	BHP	RPM	BHP	
<b>7.5 HP Standard Motor &amp; Drive</b>											<b>7.5 HP Standard Motor &amp; High Static Drive Field Installed Sheaves</b>												
8000	964	4.07	992	4.35	1016	4.58	1040	4.81	1063	5.03	1085	5.25	1106	5.47	1127	5.69	1148	5.91	1168	6.13	1188	6.35	
8500	980	4.38	1008	4.69	1036	5.02	1062	5.31	1084	5.55	1106	5.78	1127	6.01	1149	6.25	1169	6.48	1189	6.71	1209	6.96	
9000	1001	4.81	1025	5.05	1052	5.37	1079	5.73	1104	6.06	1128	6.34	1149	6.59	1170	6.85	1190	7.09	1211	7.35	1230	7.59	
9500	1026	5.39	1048	5.57	1070	5.80	1095	6.11	1121	6.47	1147	6.84	1171	7.20	1191	7.47	1212	7.74	1231	8.00	1251	8.27	
10000	1056	6.11	1075	6.25	1095	6.41	1116	6.65	1138	6.91	1162	7.26	1186	7.64	1211	8.05	1233	8.41	—	—	—	—	
10500	1083	6.81	1104	7.04	1122	7.18	1141	7.33	1161	7.55	1181	7.81	1203	8.13	1226	8.50	—	—	—	—	—	—	
11000	1110	7.48	1132	7.78	1152	8.04	1170	8.21	1187	8.35	1205	8.55	—	—	—	—	—	—	—	—	—	—	
11500	1136	8.21	1158	8.51	—	—	—	—	—	—	—	—	—	—	—	—	—	—	—	—	—	—	
12000	—	—	—	—	—	—	—	—	—	—	—	—	—	—	—	—	—	—	—	—	—	—	
External Static Pressure (Inches of Water Gauge)																							
		2.30"		2.40"																			
CFM	RPM	BHP	RPM	BHP																			
<b>7.5 HP Standard Motor &amp; High Static Drive Field Installed Sheaves</b>																							
8000	1208	6.57	1226	6.78																			
8500	1228	7.19	1248	7.43																			
9000	1249	7.85	1268	8.10																			
9500	1270	8.53	—	—																			
10000	—	—	—	—																			
10500	—	—	—	—																			
11000	—	—	—	—																			
11500	—	—	—	—																			
12000	—	—	—	—																			

**Notes:**

1. Data includes pressure drop due to wet coil and 1" filter.
2. Fan motor heat (MBh) = 3.15 x BHP.
3. Check General Data for indoor fan motor HP availability.
4. For 380/60Hz models: Performance is limited to standard motor CFM/static range. No high static or oversized motors are available.
5. Factory supplied motors, in commercial equipment, are definite purpose motors, specifically designed and tested to operate reliably and continuously at all cataloged conditions. Using the full horsepower range of our fan motors as shown in our tabular data will not result in nuisance tripping or premature motor failure. Our product's warranty will not be affected.

Table 63. Evaporator fan performance - TWE300\*\*\*\* - 2-speed VFD, SZVAV air handler

CFM	External Static Pressure (Inches of Water Gauge)																					
	0.10"		0.20"		0.30"		0.40"		0.50"		0.60"		0.70"		0.80"		0.90"					
	RPM	HZ	BHP	RPM	HZ	BHP	RPM	HZ	BHP	RPM	HZ	BHP	RPM	HZ	BHP	RPM	HZ	BHP	RPM	HZ	BHP	
8000	-	-	-	-	-	-	-	-	-	-	-	-	-	-	-	-	-	-	-	-	-	
8500	-	-	-	-	-	-	-	-	-	-	-	-	-	-	-	-	-	-	-	-	-	
9000	-	-	-	-	-	-	-	-	-	-	-	-	-	-	-	-	-	-	-	-	-	
9500	-	-	-	-	-	-	-	-	-	-	-	-	-	-	-	-	-	-	-	-	-	
10000	-	-	-	-	-	-	-	-	-	-	-	-	-	-	-	-	-	-	-	-	-	
10500	-	-	-	-	-	-	-	-	-	-	-	-	-	-	-	-	-	-	-	-	-	
11000	831	39	4.37	863	41	4.69	893	42	5.00	921	44	5.30	947	45	5.59	973	46	5.88	997	47	6.15	
11500	866	41	4.96	896	42	5.30	925	44	5.63	953	45	5.94	979	46	6.25	1004	47	6.55	1028	49	6.84	
12000	900	43	5.61	930	44	5.96	958	45	6.30	985	47	6.64	1010	48	6.96	1035	49	7.28	1058	50	7.59	
External Static Pressure (Inches of Water Gauge)																						
8000	904	43	3.49	932	44	3.74	964	46	4.07	992	47	4.35	1016	48	4.58	1040	49	4.81	1063	50	5.03	
8500	928	44	3.92	953	45	4.12	980	46	4.38	1008	48	4.69	1036	49	5.02	1062	50	5.31	1084	51	5.55	
9000	956	45	4.49	977	46	4.61	1001	47	4.81	1025	48	5.05	1052	50	5.37	1079	51	5.73	1104	52	6.06	
9500	984	47	5.08	1006	48	5.26	1026	49	5.39	1048	50	5.57	1070	51	5.80	1095	52	6.11	1121	53	6.47	
10000	1011	48	5.64	1034	49	5.91	1056	50	6.11	1075	51	6.25	1095	52	6.41	1116	53	6.65	1138	54	6.91	
10500	1038	49	6.25	1061	50	6.52	1083	51	6.81	1104	52	7.04	1122	53	7.18	1141	54	7.33	1161	55	7.55	
11000	1064	50	6.90	1087	51	7.18	1110	52	7.48	1132	54	7.78	1152	54	8.04	1170	55	8.21	1187	56	8.35	
11500	1093	52	7.63	1114	53	7.90	1136	54	8.21	1158	55	8.51	-	-	-	-	-	-	-	-	-	
12000	1122	53	8.42	-	-	-	-	-	-	-	-	-	-	-	-	-	-	-	-	-	-	
External Static Pressure (Inches of Water Gauge)																						
8000	1127	53	5.69	1148	54	5.91	1168	55	6.13	1188	56	6.35	1208	57	6.57	1226	58	6.78	-	-	-	
8500	1149	54	6.25	1169	55	6.48	1189	56	6.71	1209	57	6.96	1228	58	7.19	1248	59	7.43	-	-	-	
9000	1170	55	6.85	1190	56	7.09	1211	57	7.35	1230	58	7.59	1249	59	7.85	1268	60	8.10	-	-	-	
9500	1191	56	7.47	1212	57	7.74	1231	58	8.00	1251	59	8.27	-	-	-	-	-	-	-	-	-	
10000	1211	57	8.05	1233	58	8.41	-	-	-	-	-	-	-	-	-	-	-	-	-	-	-	
10500	1226	58	8.50	-	-	-	-	-	-	-	-	-	-	-	-	-	-	-	-	-	-	
11000	-	-	-	-	-	-	-	-	-	-	-	-	-	-	-	-	-	-	-	-	-	
11500	-	-	-	-	-	-	-	-	-	-	-	-	-	-	-	-	-	-	-	-	-	
12000	-	-	-	-	-	-	-	-	-	-	-	-	-	-	-	-	-	-	-	-	-	

Notes:  
1. 2-Speed VFD or SZVAV applications are capable of running below 320 cfm/ton during low speed airflow operation, but "full" airflow must be set to 320 cfm/ton or higher.  
2. Check General Data for indoor fan motor HP availability. For 380/60Hz models: Performance is limited to standard motor CFM/static range. No high static or oversized motors are available.

**Performance Data**

**Table 64. Low static fan motors - standard air handlers**

Model	Motor	Motor Sheave Turns Open	Nominal RPM	Required Field Supplied Components		
				Motor Sheave	Blower Sheave	Belt
TWE180	Standard Motor with Field Supplied Components 3 HP	0	649	Variable Pitch (2.4 - 3.4 Inch Pitch Diameter), 0.875 Inch Bore, Single Groove, Browning 1VL40	Fixed Pitch (9.5 Inch Pitch Diameter), 1.4375 Inch Bore, Single Groove, Browning BK105	Browning AX59
		1	613			
		2	557			
		3	500			
		4	444			
5	469					
TWE240	Low Static Motor 3 HP	0	855	N/A	N/A	N/A
		1	812			
		2	769			
		3	726			
		4	683			
5	640					
TWE300	Standard Motor with Field Supplied Components 7.5 HP	1	929	Variable Pitch (3.1 - 4.1 Inch Pitch Diameter), 1.125 Inch Bore, Single Groove, Browning 1VL44	Fixed Pitch (15.4 Inch Pitch Diameter), 1.4375 Inch Bore, Single Groove, Browning BK160	Browning BX70
		2	884			
		3	839			
		4	793			
		5	748			
6	703					

**Table 65. Standard fan motors - standard air handlers**

Model	Motor	Motor Sheave Turns Open	Nominal RPM	Required Field Supplied Components		
				Motor Sheave	Blower Sheave	Belt
TWE060	Standard Motor .75 HP	0	1071	N/A	N/A	N/A
		1	1000			
		2	928			
		3	857			
		4	785			
5	714					
TWE072	Standard Motor 1.5 HP	0	847	N/A	N/A	N/A
		1	791			
		2	734			
		3	678			
		4	621			
5	565					
TWE090	Standard Motor 1.5 HP	0	847	N/A	N/A	N/A
		1	791			
		2	734			
		3	678			
		4	621			
5	565					
TWE120	Standard Motor 2 HP	0	818	N/A	N/A	N/A
		1	773			
		2	727			
		3	682			
		4	636			
5	591					
TWE150	Standard Motor 2 HP	0	768	N/A	N/A	N/A
		1	725			
		2	683			
		3	640			
		4	598			
5	555					



**Table 65. Standard fan motors - standard air handlers (continued)**

Model	Motor	Motor Sheave Turns Open	Nominal RPM	Required Field Supplied Components		
				Motor Sheave	Blower Sheave	Belt
TWE180	Standard Motor 3 HP	0	845	N/A	N/A	N/A
		1	812			
		2	728			
		3	745			
		4	711			
		5	678			
6	644					
TWE240	Standard Motor 5 HP	0	966	N/A	N/A	N/A
		1	932			
		2	899			
		3	865			
		4	831			
		5	798			
6	764					
TWE300	Standard Motor 7.5 HP	0	1068	N/A	N/A	N/A
		1	1016			
		2	964			
		3	912			
		4	859			
		5	807			

**Table 66. High static fan motors - standard air handlers**

Model	Motor	Motor Sheave Turns Open	Nominal RPM	Required Field Supplied Components		
				Motor Sheave	Blower Sheave	Belt
TWE060	High Static Motor 1.5 HP	0	1346	N/A	N/A	N/A
		1	1279			
		2	1212			
		3	1144			
		4	1077			
		5	1010			
TWE072	High Static Motor 2 HP	0	1094	N/A	N/A	N/A
		1	1039			
		2	984			
		3	930			
		4	875			
		5	820			
TWE090	High Static Motor 2 HP	0	1094	N/A	N/A	N/A
		1	1039			
		2	984			
		3	930			
		4	875			
		5	820			
TWE120	High Static Motor 3 HP	0	972	N/A	N/A	N/A
		1	923			
		2	875			
		3	826			
		4	778			
		5	729			
TWE120	High Static Motor with Field Supplied Components 3 HP	0	1129	Variable Pitch (2.8 - 3.8 Inch Pitch Diameter), 0.875 Inch Bore, Single Groove, Browning 1VP44	Fixed Pitch (6.0 Inch Pitch Diameter), 1.0 Inch Bore, Single Groove, Browning AK64	Browning A50
		1	1073			
		2	1016			
		3	960			
		4	903			
		5	847			

**Performance Data**

**Table 66. High static fan motors - standard air handlers (continued)**

Model	Motor	Motor Sheave Turns Open	Nominal RPM	Required Field Supplied Components		
				Motor Sheave	Blower Sheave	Belt
TWE150	High Static Motor 3 HP	0 1 2 3 4 5	913 862 806 749 693 659	N/A	N/A	N/A
TWE150	High Static Motor with Field Supplied Components 2 HP	0 1 2 3 4 5	1094 1039 991 942 893 820	Variable Pitch (2.4 - 3.4 Inch Pitch Diameter), 0.875 Inch Bore, Single Groove, Browning 1VL40	Fixed Pitch (6.7 Inch Pitch Diameter), 1.4375 Inch Bore, Single Groove, Browning AK71	Browning A55
TWE180	High Static Motor 5 HP	0 1 2 3 4 5 6	1024 989 953 918 882 847 811	N/A	N/A	N/A
TWE180	High Static Motor with Field Supplied Components 5 HP	0 1 2 3 4 5 6	1217 1175 1118 1062 1006 964 964	Variable Pitch (3.4 - 4.4 Inch Pitch Diameter), 1.125 Inch Bore, Single Groove, Browning 1VP50	Fixed Pitch (7.4 Inch Pitch Diameter), 1.4375 Inch Bore, Single Groove, Browning BK72	Browning BX58
TWE240	Standard Motor with Field Supplied Components 5 HP	0 1 2 3 4 5 6	1091 1053 1015 978 940 902 864	Variable Pitch (3.4 - 4.4 Inch Pitch Diameter), 1.125 Inch Bore, Single Groove, Browning 1VP50	Fixed Pitch (7.4 Inch Pitch Diameter), 1.4375 Inch Bore, Single Groove, Browning BK115	Browning BX57
TWE300	Standard Motor with Field Supplied Components 7.5 HP	0 1 2 3 4 5 6	N/A 1313 1249 1185 1121 1057 993	Variable Pitch (3.1 - 4.1 Inch Pitch Diameter), 1.125 Inch Bore, Single Groove, Browning 1VP50	Fixed Pitch (10.9 Inch Pitch Diameter), 1.4375 Inch Bore, Single Groove, Browning BK115	Browning BX63

**Table 67. Ultra high static fan motors - standard air handlers**

Model	Motor	Motor Sheave Turns Open	Nominal RPM	Required Field Supplied Components		
				Motor Sheave	Blower Sheave	Belt
TWE072	Ultra High Static Motor 3 HP	0	1346	N/A	N/A	N/A
		1	1241			
		2	1136			
		3	1030			
		4	925			
		5	820			
—	—					
TWE090	Ultra High Static Motor 3 HP	0	1346	N/A	N/A	N/A
		1	1241			
		2	1136			
		3	1030			
		4	925			
		5	820			
—	—					
TWE150	Ultra High Static Motor 5 HP	0	1217	N/A	N/A	N/A
		1	1175			
		2	1133			
		3	1091			
		4	1048			
		5	1006			
6	964					
TWE240	Ultra High Static Motor 7.5 HP	0	1294	N/A	N/A	N/A
		1	1243			
		2	1191			
		3	1140			
		4	1089			
		5	1037			
6	986					
TWE240	Ultra High Static Motor with Field Supplied Components 7.5 HP	0	1315	Variable Pitch (2.8 - 3.8 Inch Pitch Diameter), 1.125 Inch Bore, Single Groove, Browning 1VP44	Fixed Pitch (10.4 Inch Pitch Diameter), 1.4375 Inch Bore, Single Groove, Browning BK110	Browning BX62
		1	1281			
		2	1243			
		3	1205			
		4	1168			
		5	1100			
6	1111					

**Table 68. Discharge plenum and grille assembly throw distance (ft) — standard/SZVAV/2Speed VFD air handler**

Tons	Model No.	CFM	Louver Angle Deflection Position			
			Straight	20°	40°	55°
5	TWE0604*A/B	1600	42	31	26	20
		1800	46	37	29	22
		2000	48	43	33	24
		2200	51	50	36	25
		2400	54	57	39	29
6	TWE0724*B	1920	48	33	30	27
		2160	50	38	32	28
		2400	52	43	35	29
		2640	54	47	38	30
		2880	57	51	41	32
7.5	TWE0904*A/B	2400	52	43	35	29
		2700	55	48	38	31
		3000	58	53	42	32
		3300	62	57	46	35
		3600	66	60	50	37

**Performance Data**

**Table 68. Discharge plenum and grille assembly throw distance (ft) – standard/SZVAV/2Speed VFD air handler (continued)**

Tons	Model No.	CFM	Louver Angle Deflection Position			
			Straight	20°	40°	55°
10	TWE1204*A/B	3200	56	46	38	30
		3600	62	51	42	33
		4000	66	57	47	35
		4400	71	62	52	38
		4800	76	67	56	42
12.5	TWE1504*B	4900	47	38	32	25
		5400	52	44	37	29
		6000	57	49	41	32
		6600	61	53	43	34
		7200	65	57	46	35
15	TWE1804*B	4900	47	38	32	25
		5400	52	44	37	29
		6000	57	49	41	32
		6600	61	53	43	34
		7200	65	57	46	35
20	TWE2404*B	6400	56	46	38	30
		7200	62	51	42	33
		8000	66	57	47	35
		8800	71	62	52	38
		9600	76	67	56	42
25	TWE3004*B	8000	66	57	47	35
		9000	72	63	53	39
		10000	78	70	59	43
		11000	84	76	65	46
		12000	90	83	71	50

**Notes:**

1. Assumes incompressible and adiabatic flow through grille.
2. Throw distance values are based on a terminal velocity of 75 FPM.
3. Throw distance values at other terminal velocities may be established by multiplying throw distances in the table above by throw factor as follows: for 50 FPM terminal velocity, multiply by 1.50 throw factor; for 100 FPM terminal velocity, multiply by 0.75 throw factor; for 150 FPM terminal velocity, multiply by 0.50 throw factor.
4. SZVAV/2-Speed VFD available for 6–25 ton only.

**Table 69. Electric heat discharge plenum and grille airflow (CFM) – standard air handler**

Tons	Unit Model No.	Electric Heater Model No.	Airflow (CFM)	
			Minimum	Maximum
5	TWE06041A, B	BAYHTRL117*	2000	2400
	TWE06043A, B	BAYHTRL315*	2000	2400
	TWE06044A, B	BAYHTRL415*	2000	2400
6	TWE07243B	BAYHTRL315*	2000	2880
	TWE07243B	BAYHTRL325*	2000	2880
	TWE07244B	BAYHTRL415*	2000	2880
	TWE07244B	BAYHTRL425*	2000	2880
7.5	TWE09041A, B	BAYHTRL117*	3000	3600
	TWE09041A, B	BAYHTRL123*	3375	3600
7.5	TWE09043A, B	BAYHTRL315*	2625	3600
	TWE09043A, B	BAYHTRL325*	3000	3600
	TWE09044A, B	BAYHTRL415*	2625	3600
	TWE09044A, B	BAYHTRL425*	2625	3600
10	TWE12041A, B	BAYHTRL117*	3500	4800
	TWE12041A, B	BAYHTRL123*	4000	4800

**Table 69. Electric heat discharge plenum and grille airflow (CFM)—standard air handler (continued)**

Tons	Unit Model No.	Electric Heater Model No.	Airflow (CFM)	
			Minimum	Maximum
10	TWE12043A, B	BAYHTRL315*	4000	4800
	TWE12043A, B	BAYHTRL325*	3500	4800
	TWE12044A, 4B	BAYHTRL415*	3500	4800
	TWE12044A, 4B	BAYHTRL425*	3500	4800
12.5	TWE15043B	BAYHTRM330*	5250	6000
	TWE15044B	BAYHTRM430*	5250	6000
15	TWE18043B	BAYHTRM330*	5250	7200
	TWE18044B	BAYHTRM430*	5250	7200
20	TWE24043B	BAYHTRM330*	7000	9600
	TWE24044B	BAYHTRM430*	7000	9600
25	TWE30043B	BAYHTRM330*	8750	12000
	TWE30044B	BAYHTRM430*	8750	12000

**Notes:**

1. On TWE07243B, TWE09043A/B, TWE12043A/B, TWE15043B and TWE18043B, standard air handler is field wired for 460V. Use with BAYHTR\*4\*\* only. See product catalog for more information.
2. SZVAV/2-Speed VFD available for 6–25 ton only.

**Table 70. Static pressure drop through accessories (inches of water column) — standard air handler**

Tons	Unit Model No.	CFM	Return Grille	Discharge Plenum & Grille	Electric Heaters (kW)				Hydronic Coils	
					5–10	15–20	25–30	35–50	Steam	Hot Water
5	TWE0604*A/B	1600	0.12	0.21	0.08	0.08	0.14	—	0.44	0.31
		2000	0.18	0.33	0.13	0.13	0.19	—	0.62	0.44
		2400	0.28	0.47	0.19	0.19	0.37	—	0.80	0.59
6	TWE0724*B	1920	0.04	0.20	0.01	0.03	0.04	0.06	0.31	0.16
		2400	0.08	0.27	0.03	0.06	0.08	0.12	0.38	0.23
		2880	0.12	0.37	0.05	0.11	0.15	0.21	0.48	0.31
7.5	TWE0904*A/B	2400	0.08	0.27	0.03	0.06	0.08	0.12	0.38	0.23
		3000	0.13	0.40	0.06	0.12	0.17	0.23	0.50	0.33
		3600	0.18	0.58	0.08	0.16	0.24	0.32	0.66	0.44
10	TWE1204*A/B	3200	0.07	0.43	0.06	0.13	0.19	0.26	0.42	0.40
		4000	0.11	0.66	0.10	0.20	0.30	0.40	0.59	0.56
		4800	0.15	0.95	0.14	0.28	0.42	0.57	0.76	0.75
12.5	TWE1504*B	4000	0.06	0.16	0.02	0.02	0.04	0.08	0.28	0.24
		5000	0.10	0.25	0.03	0.03	0.08	0.12	0.44	0.38
		6000	0.14	0.36	0.04	0.05	0.12	0.17	0.64	0.54
15	TWE1804*B	4800	0.09	0.23	0.03	0.03	0.06	0.08	0.46	0.38
		6000	0.15	0.34	0.06	0.06	0.12	0.17	0.64	0.54
		7200	0.20	0.49	0.08	0.08	0.16	0.24	0.82	0.72
20	TWE2404*B	6400	0.11	0.43	0.06	0.06	0.13	0.19	0.50	0.41
		8000	0.17	0.66	0.10	0.10	0.20	0.30	0.70	0.58
		9600	0.23	0.95	0.14	0.14	0.28	0.42	0.89	0.78
25	TWE3004*B	8000	0.17	0.66	0.10	0.10	0.20	0.30	0.70	0.58
		10000	0.25	1.03	0.15	0.15	0.30	0.45	0.94	0.83
		12000	0.32	1.49	0.20	0.20	0.42	0.62	1.16	1.14

**Notes:**

1. SZVAV/2-Speed VFD available for 6–25 ton only.
2. Return air filter ESP included in Fan Performance Table data.
3. Discharge plenum and grille - at louver opening angle of 42 degrees. For ESP at other angle openings, see accessory installation instructions.

**Performance Data**

**Table 71. Auxiliary electric heat capacity - standard air handler**

Unit Model No.	Total kW	No. of Stages	Stage 1		Stage 2		Total	
			kW Input	BTUH Output	kW Input	BTUH Output	kW Input	BTUH Output
TWE06041A, TWE06041B	5.76	1	5.76	19659	-	-	5.76	19659
	11.52	1	11.52	39318	-	-	11.52	39318
	17.28	1	17.28	58977	-	-	17.28	58977
	23.04	2	11.52	39318	11.52	39318	23.04	78636
TWE06043A, TWE06044A, TWE0604WA, TWE06043B, TWE06044B	5.00	1	5.00	17065	-	-	5.00	17065
	9.96	1	9.96	33993	-	-	9.96	33993
	14.96	1	14.96	51058	-	-	14.96	51058
	24.92	2	14.96	51058	9.96	33993	24.92	85051
TWE07243B, TWE07244B, TWE0724WB	5.00	1	5.00	17065	-	-	5.00	17065
	9.96	1	9.96	33993	-	-	9.96	33993
	14.96	1	14.96	51058	-	-	14.96	51058
	24.92	2	14.96	51058	9.96	33993	24.92	85051
	34.88	2	19.92	67987	14.96	51058	34.88	119045
TWE09041A, TWE09041B	5.76	1	5.76	19659	-	-	5.76	19659
	11.52	1	11.52	39318	-	-	11.52	39318
	17.28	1	17.28	58977	-	-	17.28	58977
	23.04	2	11.52	39318	11.52	39318	23.04	78636
	28.80	2	17.28	58977	11.52	39318	28.80	98295
TWE09043A, TWE09043B, TWE0904WA, TWE0904WB	5.00	1	5.00	17065	-	-	5.00	17065
	9.96	1	9.96	33993	-	-	9.96	33993
	14.96	1	14.96	51058	-	-	14.96	51058
	24.92	2	14.96	51058	9.96	33993	24.92	85051
	34.88	2	19.92	67987	14.96	51058	34.88	119045
TWE09043B, TWE09044B, TWE0904WB	5.00	1	5.00	17065	-	-	5.00	17065
	9.96	1	9.96	33993	-	-	9.96	33993
	14.96	1	14.96	51058	-	-	14.96	51058
	24.92	2	14.96	51058	9.96	33993	24.92	85051
	34.88	2	19.92	67987	14.96	51058	34.88	119045
TWE12041A, TWE12041B	5.76	1	5.76	19659	-	-	5.76	19659
	11.52	1	11.52	39318	-	-	11.52	39318
	17.28	1	17.28	58977	-	-	17.28	58977
	23.04	2	11.52	39318	11.52	39318	23.04	78636
	28.80	2	17.28	58977	11.52	39318	28.80	98295
TWE12043A, TWE1204WA, TWE12044A, TWE12044B, TWE12043B, TWE1204WB	5.00	1	5.00	17065	-	-	5.00	17065
	9.96	1	9.96	33993	-	-	9.96	33993
	14.96	1	14.96	51058	-	-	14.96	51058
	24.92	2	14.96	51058	9.96	33993	24.92	85051
	34.88	2	19.92	67987	14.96	51058	34.88	119045
TWE15043B, TWE1504WB	10.00	1	10.00	34130	-	-	10.00	34130
	19.92	1	19.92	67987	-	-	19.92	67987
	29.92	2	19.92	67987	10.00	34130	29.92	102117
	49.84	2	29.92	102117	19.92	67987	49.84	170104
TWE15043B, TWE15044B, TWE1504WB	10.00	1	10.00	34130	-	-	10.00	34130
	19.92	1	19.92	67987	-	-	19.92	67987
	29.92	2	19.92	67987	10.00	34130	29.92	102117
	49.84	2	29.92	102117	19.92	67987	49.84	170104
TWE18043B, TWE1804WB	10.00	1	10.00	34130	-	-	10.00	34130
	19.92	1	19.92	67987	-	-	19.92	67987
	29.92	2	19.92	67987	10.00	34130	29.92	102117
	49.84	2	29.92	102117	19.92	67987	49.84	170104

**Table 71. Auxiliary electric heat capacity - standard air handler (continued)**

Unit Model No.	Total kW	No. of Stages	Stage 1		Stage 2		Total	
			kW Input	BTUH Output	kW Input	BTUH Output	kW Input	BTUH Output
TWE18043B, TWE18044B, TWE1804WB	10.00	1	10.00	34130	-	-	10.00	34130
	19.92	1	19.92	67987	-	-	19.92	67987
	29.92	2	19.92	67987	10.00	34130	29.92	102117
	49.84	2	29.92	102117	19.92	67987	49.84	170104
TWE2404*B	10.00	1	10.00	34130	-	-	10.00	34130
	19.92	1	19.92	67987	-	-	19.92	67987
	29.92	2	19.92	67987	10.00	34130	29.92	102117
	49.84	2	29.92	102117	19.92	67987	49.84	170104
TWE3004*B	10.00	1	10.00	34130	-	-	10.00	34130
	19.92	1	19.92	67987	-	-	19.92	67987
	29.92	2	19.92	67987	10.00	34130	29.92	102117
	49.84	2	29.92	102117	19.92	67987	49.84	170104

**Notes:**

1. On TWE07243B, TWE09043A/B, TWE12043A/B, TWE15043B and TWE18043B standard air handlers are field converted to 460V.
2. Heaters are rated at 240V, 480V, and 600V. For other than rated voltage, capacity = (Voltage/Related Voltage)<sup>2</sup> x Rated Capacity.
3. SZVAV/2-Speed VFD available for 6-25 ton only.

**Table 72. Steam heating coil capacity – standard/SZVAV/2-Speed VFD air handlers steam pressure (PSIG)**

Unit Model No.	Airflow (CFM)	EAT (°F)	Steam Pressure (PSIG)														
			2 PSI			5 PSI			10 PSI			15 PSI			25 PSI		
			LAT	MBh	Cond. lb/hr	LAT	MBh	Cond. lb/hr	LAT	MBh	Cond. lb/hr	LAT	MBh	Cond. lb/hr	LAT	MBh	Cond. lb/hr
TWE0604*-A, TWE0604*-B	1600	40	97	99	103	100	104	108	104	111	117	108	117	124	113	127	136
		60	111	88	91	114	93	97	118	100	105	121	106	112	127	116	124
		80	125	77	80	127	82	85	131	89	94	135	95	101	140	105	112
	2000	40	90	108	112	93	114	118	96	122	128	99	129	136	104	139	149
		60	104	96	100	107	102	106	111	110	115	114	116	123	119	127	136
		80	119	84	87	121	90	93	125	98	102	128	104	110	133	115	123
	2400	40	85	116	120	87	123	127	90	131	137	93	138	146	98	150	160
		60	100	104	107	102	110	114	105	118	124	108	125	132	113	137	146
		80	115	91	94	117	97	100	120	105	110	123	112	118	127	123	132
TWE072*B	1920	40	106	151	157	112	159	165	116	169	178	121	179	189	126	194	207
		60	120	134	139	124	141	147	128	153	160	133	162	172	139	177	189
		80	133	117	121	136	125	131	140	136	143	145	144	152	151	159	170
	2400	40	102	162	168	106	171	177	110	182	191	114	192	203	120	208	222
		60	115	144	149	119	152	158	123	164	172	127	174	184	133	190	203
		80	129	126	130	132	134	140	136	146	153	140	155	164	146	171	183
	2880	40	96	174	180	100	183	190	104	196	205	107	206	218	113	223	239
		60	110	154	159	113	163	170	117	176	184	121	186	197	126	204	218
		80	124	135	140	127	144	150	131	157	164	134	166	176	140	184	197
TWE0904*-A, TWE0904*-B	2400	40	102	162	168	106	171	177	110	182	191	114	192	203	120	208	222
		60	115	144	149	119	152	158	123	164	172	127	174	184	133	190	203
		80	129	126	130	132	134	140	136	146	153	140	155	164	146	171	183
	3000	40	95	178	183	97	187	194	101	200	209	105	210	222	110	228	244
		60	109	158	163	111	167	174	115	180	188	119	190	201	124	208	222
		80	122	138	143	125	147	153	129	160	168	132	170	180	138	188	201
	3600	40	89	191	197	91	201	208	95	215	225	97	226	239	103	245	262
		60	103	170	175	106	180	187	110	193	203	112	205	216	117	224	239
		80	118	149	154	121	158	164	124	172	180	127	183	194	132	202	216

**Performance Data**

**Table 72. Steam heating coil capacity – standard/SZVAV/2-Speed VFD air handlers steam pressure (PSIG) (continued)**

Unit Model No.	Airflow (CFM)	EAT (°F)	Steam Pressure (PSIG)														
			2 PSI			5 PSI			10 PSI			15 PSI			25 PSI		
			LAT	MBh	Cond. lb/hr	LAT	MBh	Cond. lb/hr	LAT	MBh	Cond. lb/hr	LAT	MBh	Cond. lb/hr	LAT	MBh	Cond. lb/hr
TWE1204* A, TWE1204* B	3200	40	99	203	210	102	214	222	106	229	240	109	241	254	115	261	279
		60	112	181	187	115	191	199	119	206	216	123	218	230	129	238	255
		80	126	158	164	129	169	175	133	183	192	136	195	206	142	215	230
	4000	40	91	222	229	94	234	243	98	250	262	101	264	278	106	286	306
		60	106	198	204	108	209	217	112	225	236	115	239	252	120	261	279
		80	120	173	179	123	184	192	126	200	210	129	214	226	134	236	252
	4800	40	86	239	246	88	251	261	92	269	282	94	284	299	99	307	329
		60	101	212	219	103	225	233	107	242	254	109	257	271	114	280	300
		80	116	186	192	118	198	206	121	215	226	124	230	243	129	253	271
TWE1504* B	4000	40	103	274	283	106	288	299	111	308	323	115	325	343	121	352	376
		60	116	244	252	119	258	268	124	277	291	128	294	310	134	321	343
		80	129	213	220	132	227	236	137	247	259	141	263	278	147	290	310
	5000	40	95	300	309	98	316	328	102	337	354	106	356	346	111	286	412
		60	109	267	275	112	282	293	116	304	318	119	322	340	125	352	376
		80	123	234	241	126	249	259	130	270	283	133	288	305	139	318	340
	6000	40	90	322	332	92	339	352	96	363	380	99	383	404	104	415	444
		60	104	287	296	107	303	315	110	327	342	113	347	366	118	379	405
		80	119	251	259	121	268	278	125	291	305	128	310	328	133	342	366
TWE1804* B	4800	40	97	295	304	100	310	322	104	332	348	107	350	369	113	379	406
		60	110	262	271	113	278	288	117	299	313	121	317	334	126	346	370
		80	124	230	237	127	245	254	131	266	279	134	284	299	140	313	334
	6000	40	90	322	332	92	339	352	96	363	380	99	383	404	104	415	444
		60	104	287	296	107	303	315	110	327	343	113	347	366	118	379	405
		80	119	251	259	121	268	278	125	291	305	128	310	328	133	342	366
	7200	40	84	346	356	87	364	378	90	390	408	93	411	434	97	446	477
		60	99	308	318	102	326	338	105	351	368	108	373	393	112	407	435
		80	115	270	278	117	287	299	120	313	327	123	334	352	127	368	394
TWE2404* B	6400	40	95	379	391	97	399	414	102	427	447	105	450	475	110	488	522
		60	109	337	348	111	357	371	115	384	403	119	408	430	124	445	476
		80	123	295	305	125	315	327	129	342	358	133	365	385	138	402	430
	8000	40	88	414	426	90	436	452	94	467	488	97	492	519	102	534	571
		60	102	368	380	105	390	405	108	420	440	111	446	470	116	487	521
		80	117	322	333	120	344	357	123	374	392	126	399	421	131	440	471
	9600	40	83	443	457	85	468	485	88	501	524	91	529	558	95	574	613
		60	98	395	407	100	418	434	103	451	473	106	479	505	110	524	560
		80	113	346	357	115	369	383	119	402	421	121	429	453	125	473	506
TWE3004* B	8000	40	88	414	426	90	436	452	94	467	488	97	492	519	102	534	571
		60	102	368	380	105	390	405	108	420	440	111	446	470	116	487	521
		80	117	322	333	120	344	357	123	374	392	126	399	421	131	440	471
	10000	40	82	450	464	84	475	492	87	509	533	90	537	567	94	583	623
		60	97	401	413	99	425	441	102	459	480	105	487	513	109	532	569
		80	112	352	363	115	375	389	118	408	427	120	436	460	124	481	514
	12000	40	77	479	493	79	509	527	82	546	571	84	577	608	88	627	669
		60	93	430	443	95	456	473	98	492	515	100	523	551	104	572	611
		80	109	377	389	111	402	418	114	438	459	116	468	494	120	517	553

**Notes:**

1. Type NS Coil, 1 Row, 1" OD, SF Fins, 132 Fins per Foot.
2. SZVAV/2-Speed VFD available for 6–25 ton only.
3. LAT = Leaving Air Temperature (°F)
4. MBh Capacity = BTU/HR/1000
5. Cond. Lb/Hr = Condensate pound per hour



Table 73. Hot water heating coil capacity – standard/SZVAV/2-Speed VFD air handler

Tons	Unit Model No.	Airflow (CFM)	Enter Air Temp (°F)	Entering Water Temperature (°F)								
				180								
				Water Temperature Drop (°F)								
				20			30			40		
GPM	MBh	LAT	GPM	MBh	LAT	GPM	MBh	LAT				
5	TWE0604*A, TWE0604*B	1600	40	10.9	106.1	101.0	6.6	96.5	96.0	4.5	87.4	90.0
			60	9.0	88.3	111.0	5.4	79.1	106.0	3.6	70.3	100.0
			80	7.2	70.6	121.0	4.2	61.8	116.0	2.7	53.4	111.0
		2000	40	12.3	119.8	95.0	7.4	108.6	90.0	5.0	97.9	851.0
			60	10.2	99.6	106.0	6.1	88.8	101.0	4.0	78.6	96.0
			80	8.1	79.5	117.0	4.7	69.2	112.0	3.0	59.6	107.0
		2400	40	13.5	132.0	91.0	8.1	119.2	86.0	5.5	107.1	811.0
			60	11.2	109.6	102.0	6.6	97.4	97.0	4.4	85.9	931.0
			80	9.0	87.4	114.0	5.2	75.7	109.0	3.3	64.9	105.0
6	TWE072*B	1920	40	15.4	150.3	112.5	9.4	137.6	106.4	6.4	124.9	100.2
			60	12.8	124.9	120.2	7.6	111.3	113.7	5.2	101.5	109.0
			80	10.2	99.6	128.0	6.0	87.8	122.4	3.9	76.1	116.7
		2400	40	17.0	165.9	104.0	10.4	152.3	98.0	7.1	139.2	93.0
			60	14.2	138.4	113.0	8.5	125.2	108.0	5.7	112.5	103.0
			80	11.4	111.1	123.0	6.7	98.3	118.0	4.4	86.1	113.0
		2880	40	18.7	182.5	98.7	11.5	168.4	94.1	7.7	150.3	88.3
			60	15.6	152.3	109.0	9.2	134.7	103.3	6.4	124.9	100.2
			80	12.5	122.0	119.2	7.2	105.4	113.9	4.7	91.7	109.5
7.5	TWE0904*A, TWE0904*B	2400	40	17.0	165.9	104.0	10.4	152.3	98.0	7.1	139.2	93.0
			60	14.2	138.4	113.0	8.5	125.2	108.0	5.7	112.5	103.0
			80	11.4	111.1	123.0	6.7	98.3	118.0	4.4	86.1	113.0
		3000	40	19.3	187.9	98.0	11.7	171.9	93.0	8.0	156.5	88.0
			60	16.1	156.7	108.0	9.6	141.1	103.0	6.4	126.3	991.0
			80	12.9	125.5	119.0	7.5	110.6	114.0	4.9	96.5	110.0
		3600	40	21.2	207.3	93.0	12.9	189.1	88.0	8.8	171.6	84.0
			60	17.7	172.7	104.0	10.6	155.0	100.0	7.1	138.3	95.0
			80	14.2	138.2	115.0	8.3	121.2	111.0	5.4	105.4	107.0
10	TWE1204*A, TWE1204*B	3200	40	24.5	239.1	109.0	14.3	210.0	100.0	9.1	178.7	91.0
			60	20.2	197.3	117.0	11.5	168.4	108.0	6.9	134.8	99.0
			80	15.9	155.6	125.0	8.6	126.1	116.0	4.0	78.7	103.0
		4000	40	27.8	271.7	103.0	16.2	237.5	95.0	10.3	201.9	86.0
			60	22.9	223.8	112.0	13.0	190.3	104.0	7.8	153.3	95.0
			80	18.1	176.2	121.0	9.7	142.6	113.0	5.0	97.3	102.0
		4800	40	30.7	300.0	98.0	17.8	261.3	90.0	11.3	221.7	82.0
			60	25.3	246.9	107.0	14.3	209.1	100.0	8.6	168.9	92.0
			80	19.9	194.0	117.0	10.7	156.7	110.0	5.6	110.2	101.0
12.5	TWE1504*B	4000	40	31.7	318.0	113.3	19.2	287.7	106.3	12.8	256.5	99.1
			60	26.4	264.4	120.9	15.6	234.4	114.0	10.2	203.2	106.9
			80	21.1	210.9	128.6	12.1	181.1	121.7	7.4	148.9	114.3
		5000	40	36.0	360.6	106.5	21.7	325.2	100.0	14.4	288.8	93.3
			60	29.9	299.6	115.3	17.6	264.5	108.8	11.4	228.3	102.1
			80	23.8	238.7	124.0	13.6	203.8	117.6	8.4	167.5	110.9
		6000	40	39.7	397.0	101.0	23.8	357.0	94.9	15.8	316.1	88.6
			60	32.9	329.6	110.7	19.3	290.0	104.6	12.5	249.5	98.3
			80	26.2	262.3	120.3	14.9	223.1	114.3	9.1	182.8	108.1

**Performance Data**

**Table 73. Hot water heating coil capacity – standard/SZVAV/2-Speed VFD air handler (continued)**

Tons	Unit Model No.	Airflow (CFM)	Enter Air Temp (°F)	Entering Water Temperature (°F)								
				180								
				Water Temperature Drop (°F)								
				20			30			40		
GPM	MBh	LAT	GPM	MBh	LAT	GPM	MBh	LAT				
15	TWE1804*B	4800	40	35.2	343.9	106.0	21.2	310.3	100.0	14.1	276.3	93.0
			60	29.3	285.7	115.0	17.2	252.7	108.0	11.2	218.5	102.0
			80	23.3	227.7	124.0	13.3	195.0	117.0	8.2	159.9	111.0
		6000	40	40.0	390.3	100.0	23.9	350.8	94.0	15.9	311.4	88.4.0
			60	33.3	323.9	110.0	19.5	285.3	104.0	12.6	246.2	98.0
			80	26.4	257.7	120.0	15.0	219.9	114.0	9.2	180.5	108.0
		7200	40	44.2	431.3	95.0	26.4	386.5	89.0	17.5	342.1	84.0
			60	36.6	357.6	106.0	21.4	313.9	100.0	13.8	270.6	95.0
			80	29.1	284.2	116.0	16.5	241.6	111.0	10.1	198.3	105.0
20	TWE2404*B	6400	40	46.8	456.2	106.0	28.4	416.5	100.0	19.3	376.7	94.0
			60	39.0	380.2	115.0	23.3	341.2	109.0	15.4	301.7	103.0
			80	31.2	304.5	124.0	18.2	266.0	118.0	11.6	227.0	113.0
		8000	40	53.0	517.5	100.0	32.1	470.9	94.0	21.7	424.5	89.0
			60	44.2	430.9	110.0	26.3	385.2	104.0	17.4	339.6	99.0
			80	35.3	344.6	120.0	20.5	299.8	115.0	13.0	255.2	109.0
		9600	40	58.6	572.0	94.0	35.4	519.1	90.0	23.9	466.8	85.0
			60	48.8	475.9	106.0	28.9	424.2	101.0	19.1	373.3	96.0
			80	39.0	380.2	116.0	22.5	329.6	112.0	14.3	280.0	107.0
25	TWE3004*B	8000	40	52.0	520.2	100.0	31.6	474.4	94.7	21.4	427.6	89.3
			60	43.3	433.6	110.0	25.9	388.2	104.7	17.1	341.6	99.4
			80	34.7	347.0	120.0	20.1	301.9	114.8	12.8	255.3	109.4
		10000	40	57.9	579.4	93.4	35.1	526.9	88.6	23.7	473.6	83.7
			60	48.2	482.5	104.5	28.7	430.6	99.7	18.9	377.7	94.8
			80	38.5	385.7	115.6	22.3	334.3	110.8	14.1	281.6	106.0
		12000	40	62.8	628.6	88.3	38.0	570.5	83.8	25.6	511.7	79.3
			60	52.3	523.2	100.2	31.0	465.8	95.8	20.4	407.5	91.3
			80	41.7	417.9	112.2	24.1	361.2	107.8	15.2	303.3	103.3

Table 73. Hot water heating coil capacity – standard/SZVAV/2-Speed VFD air handler (continued)

Tons	Unit Model No.	Airflow (CFM)	Enter Air Temp (°F)	Entering Water Temperature (°F)								
				200								
				Water Temperature Drop (°F)								
				20			30			40		
GPM	MBh	LAT	GPM	MBh	LAT	GPM	MBh	LAT				
5	TWE0604*A, TWE0604*B	1600	40	12.9	124.9	112.0	7.9	115.4	106.0	5.5	106.3	101.0
			60	11.0	107.0	122.0	6.7	97.8	116.0	4.6	88.9	111.0
			80	9.2	89.1	131.0	5.5	80.2	126.0	3.7	71.7	121.0
		2000	40	4.5	141.3	105.0	8.9	130.1	100.0	6.1	119.4	95.0
			60	12.4	120.9	116.0	7.5	110.1	111.0	5.1	99.7	106.0
			80	10.4	100.6	126.0	6.2	90.2	122.0	4.1	80.3	117.0
		2400	40	6.0	155.8	100.0	9.8	143.1	95.0	6.7	131.0	90.0
			60	3.7	133.3	111.0	8.3	120.9	106.0	5.6	109.2	102.0
			80	11.4	110.8	123.0	6.8	98.9	118.0	4.5	87.8	114.0
6	TWE072*B	1920	40	17.9	174.7	124.3	11.2	164.0	119.1	7.9	154.2	114.4
			60	15.6	152.3	133.4	9.6	140.5	127.8	6.5	126.9	121.2
			80	13.0	126.9	141.2	8.0	117.1	136.5	5.4	105.4	130.8
		2400	40	20.0	194.8	115.0	12.4	181.2	110.0	8.6	168.2	105.0
			60	17.2	167.1	124.0	10.6	153.9	119.0	7.2	141.2	114.0
			80	14.4	139.6	134.0	8.7	126.8	129.0	5.9	114.3	124.0
		2880	40	21.9	213.7	108.7	13.7	200.6	104.5	9.6	187.4	100.2
			60	19.0	185.4	119.6	11.7	171.3	115.1	8.0	156.2	110.2
			80	15.8	154.2	129.6	9.7	142.0	125.7	6.5	126.9	120.8
7.5	TWE0904*A, TWE0904*B	2400	40	20.0	194.8	115.0	12.4	181.2	110.0	8.6	168.2	105.0
			60	17.2	167.1	124.0	10.6	153.9	119.0	7.2	141.2	114.0
			80	14.4	139.6	134.0	8.7	126.8	129.0	5.9	114.3	124.0
		3000	40	22.7	220.9	108.0	14.0	204.9	103.0	9.7	189.6	98.0
			60	9.5	189.4	118.0	11.9	173.9	113.0	8.2	159.0	109.0
			80	16.3	158.1	129.0	9.8	143.0	124.0	6.6	128.5	119.0
		3600	40	25.1	244.0	102.0	15.5	225.7	98.1.0	0.7	208.4	93.0
			60	21.5	209.1	113.0	13.1	191.4	109.0	9.0	174.4	105.0
			80	17.9	174.3	125.0	10.8	157.1	120.0	7.2	140.9	116.0
10	TWE1204*A, TWE1204*B	3200	40	29.3	284.7	122.0	17.6	256.8	114.0	11.7	228.6	106.0
			60	25.0	242.6	130.0	14.7	215.2	122.0	9.6	186.9	114.0
			80	20.6	200.6	138.0	11.9	173.6	130.0	7.4	144.3	122.0
		4000	40	33.4	324.1	115.0	19.9	291.0	107.0	13.3	258.2	99.0
			60	28.4	275.8	124.0	16.7	243.6	116.0	10.8	211.0	109.0
			80	23.4	227.7	132.0	13.4	196.2	125.0	8.4	163.2	118.0
		4800	40	36.9	358.3	109.0	22.0	320.7	102.0	14.6	283.7	94.0
			60	31.4	304.7	118.0	18.4	268.1	111.0	11.9	231.6	104.0
			80	25.9	251.3	128.0	14.8	215.6	121.0	9.2	179.4	114.0
12.5	TWE1504*B	4000	40	37.3	374.5	126.3	23.0	345.9	119.7	15.8	316.5	113.0
			60	32.0	320.9	134.0	19.4	292.5	127.4	13.1	263.1	120.7
			80	26.6	267.4	141.6	15.9	293.1	135.1	10.5	209.7	128.3
		5000	40	42.4	425.4	118.5	26.0	391.7	112.2	17.8	357.2	105.9
			60	36.3	364.3	127.2	22.0	330.8	121.0	14.8	296.5	114.7
			80	30.2	303.2	135.9	17.9	269.9	129.8	11.8	235.8	123.5
		6000	40	46.7	468.8	112.0	28.6	430.6	106.2	19.5	391.7	100.2
			60	40.0	401.2	121.7	24.2	363.3	115.8	16.2	324.8	109.9
			80	33.2	333.6	131.3	19.7	296.1	125.5	12.9	257.8	119.6

**Performance Data**

**Table 73. Hot water heating coil capacity – standard/SZVAV/2-Speed VFD air handler (continued)**

Tons	Unit Model No.	Airflow (CFM)	Enter Air Temp (°F)	Entering Water Temperature (°F)								
				200								
				Water Temperature Drop (°F)								
				20			30			40		
GPM	MBh	LAT	GPM	MBh	LAT	GPM	MBh	LAT				
15	TWE1804*B	4800	40	41.8	406.0	118.0	25.6	373.4	112.0	17.5	341.0	105.0
			60	35.8	347.5	127.0	21.6	315.4	121.0	14.6	283.4	114.0
			80	29.8	289.1	135.0	17.7	257.6	129.0	11.6	225.7	123.0
		6000	40	7.5	461.4	111.0	29.0	423.0	105.0	19.8	385.0	99.0
			60	40.6	394.6	121.0	24.5	356.9	115.0	16.4	319.6	109.0
			80	33.8	327.9	130.0	19.9	291.0	125.0	13.1	254.3	119.0
		7200	40	52.5	510.4	105.0	32.0	466.7	100.0	21.8	423.8	94.0
			60	44.9	436.3	116.0	27.0	393.5	110.0	18.0	351.4	105.0
			80	37.3	362.2	126.0	22.0	320.5	121.0	14.3	279.5	116.0
20	TWE2404*B	6400	40	55.2	536.5	117.0	34.1	497.8	112.0	23.6	459.4	106.0
			60	47.4	460.2	126.0	28.9	422.1	121.0	19.7	384.2	115.0
			80	39.5	384.0	135.0	23.8	346.5	130.0	15.9	308.9	124.0
		8000	40	62.7	609.2	110.0	38.6	563.8	105.0	26.6	518.8	100.0
			60	53.8	522.2	120.0	32.7	477.6	115.0	22.2	433.3	110.0
			80	44.8	435.4	130.0	26.8	391.5	125.0	17.9	347.9	120.0
		9600	40	69.4	673.9	105.0	42.7	622.3	100.0	29.3	571.5	95.0
			60	59.4	577.4	115.0	36.1	526.8	111.0	24.5	476.7	106.0
			80	49.5	481.0	126.0	29.6	431.4	121.0	19.6	382.6	117.0
25	TWE3004*B	8000	40	60.9	611.5	110.5	37.7	567.6	105.4	26.1	523.0	100.3
			60	52.3	524.6	120.5	32.0	481.1	115.5	21.8	436.7	110.3
			80	43.6	437.8	130.5	26.2	394.6	125.5	17.5	350.3	120.4
		10000	40	67.9	681.6	102.9	42.0	631.2	98.2	28.9	580.2	93.5
			60	58.2	584.4	113.9	35.5	534.5	109.3	24.1	483.9	104.6
			80	48.6	487.4	124.9	29.1	437.9	120.4	19.3	387.5	115.7
		12000	40	73.7	740.0	96.9	45.5	684.0	92.6	31.3	627.7	88.2
			60	63.2	634.2	108.7	38.5	578.9	104.5	26.1	523.0	100.2
			80	52.7	528.6	120.6	31.5	473.8	116.4	20.9	418.3	112.1

Table 73. Hot water heating coil capacity – standard/SZVAV/2-Speed VFD air handler (continued)

Tons	Unit Model No.	Airflow (CFM)	Enter Air Temp (°F)	Entering Water Temperature (°F)								
				210								
				Water Temperature Drop (°F)								
				20			30			40		
GPM	MBh	LAT	GPM	MBh	LAT	GPM	MBh	LAT				
5	TWE0604*A, TWE0604*B	1600	40	13.9	134.3	117.0	8.6	124.8	112.0	6.0	115.8	107.0
			60	12.0	116.3	127.0	7.4	107.1	122.0	5.1	98.3	117.0
			80	10.2	98.4	137.0	6.1	89.5	132.0	4.2	80.9	127.0
		2000	40	15.7	152.0	110.0	9.7	140.9	105.0	6.7	130.2	100.0
			60	13.6	131.6	121.0	8.3	120.7	116.0	5.7	110.5	111.0
			80	11.5	111.2	131.0	6.9	100.7	126.0	4.7	90.7	122.0
		2400	40	17.3	167.7	104.0	10.6	155.0	99.0	7.4	142.9	95.0
			60	15.0	145.1	116.0	9.1	132.8	111.0	6.2	121.0	106.0
			80	12.6	122.6	127.0	7.6	110.6	122.0	5.1	99.3	118.0
6	TWE072*B	1920	40	19.5	190.3	131.8	12.0	175.7	124.7	8.5	165.9	120.0
			60	16.8	164.0	139.1	10.4	152.3	133.4	7.3	142.5	128.7
			80	14.5	141.5	148.2	8.8	128.8	142.1	5.9	115.2	135.5
		2400	40	21.6	209.2	120.0	13.4	195.7	115.0	9.4	182.7	110.0
			60	18.7	181.5	130.0	11.6	168.3	125.0	8.0	155.6	120.0
			80	15.9	153.9	139.0	9.7	141.0	134.0	6.6	128.6	129.0
		2880	40	23.9	233.3	115.0	14.7	215.2	109.2	10.3	201.1	104.6
			60	20.6	201.1	124.6	12.7	185.9	119.8	8.8	171.8	115.2
			80	17.7	172.8	135.5	10.6	155.2	129.9	7.1	138.6	124.6
7.5	TWE0904*A, TWE0904*B	2400	40	21.6	209.2	120.0	13.4	195.7	115.0	9.4	182.7	110.0
			60	18.7	181.5	130.0	11.6	168.3	125.0	8.0	155.6	120.0
			80	15.9	153.9	139.0	9.7	141.0	134.0	6.6	128.6	129.0
		3000	40	24.5	237.4	113.0	15.2	221.5	108.0	10.6	206.2	103.0
			60	21.2	205.8	123.0	13.1	190.3	118.0	9.0	175.4	114.0
			80	18.0	174.4	134.0	10.9	159.2	129.0	7.4	144.7	124.0
		3600	40	27.1	262.3	107.0	16.8	244.1	102.0	11.7	226.8	98.0
			60	23.4	227.3	118.0	14.4	209.6	114.0	9.9	192.6	109.0
			80	19.8	192.4	129.0	12.0	175.2	125.0	8.2	158.7	121.0
10	TWE1204*A, TWE1204*B	3200	40	31.7	307.4	129.0	19.2	279.9	121.0	13.0	252.6	113.0
			60	27.4	265.1	136.0	16.4	238.2	129.0	10.9	211.0	121.0
			80	23.0	223.0	144.0	13.5	196.5	137.0	8.7	169.1	129.0
		4000	40	36.1	350.2	121.0	21.8	317.6	113.0	14.7	285.5	106.0
			60	31.1	301.7	130.0	18.5	269.9	122.0	12.3	238.2	115.0
			80	26.1	253.4	138.0	15.3	222.3	131.0	9.8	190.8	124.0
		4800	40	40.0	387.4	114.0	24.1	350.3	107.0	16.2	313.9	100.0
			60	34.4	333.6	124.0	20.4	297.3	117.0	13.5	261.7	110.0
			80	28.9	279.9	134.0	16.8	244.6	127.0	10.8	209.5	120.0
12.5	TWE1504*B	4000	40	40.1	402.7	132.8	24.9	374.7	126.4	17.2	346.1	119.8
			60	34.7	349.1	140.5	21.3	321.3	134.1	14.6	292.7	127.5
			80	29.4	295.5	148.1	17.8	267.8	141.7	11.9	239.2	135.1
		5000	40	45.5	457.6	124.4	28.2	424.6	118.3	19.5	391.0	112.1
			60	39.4	396.4	133.1	24.1	363.7	127.1	16.5	330.2	120.9
			80	33.4	335.3	141.8	20.1	302.7	135.8	13.4	269.4	129.7
		6000	40	50.2	504.5	117.5	31.0	467.1	111.8	21.4	429.1	105.9
			60	43.5	436.8	127.1	26.5	399.7	121.4	18.0	362.0	115.6
			80	36.7	369.2	136.7	22.1	332.4	131.1	14.7	294.9	125.3

**Performance Data**

**Table 73. Hot water heating coil capacity – standard/SZVAV/2-Speed VFD air handler (continued)**

Tons	Unit Model No.	Airflow (CFM)	Enter Air Temp (°F)	Entering Water Temperature (°F)								
				210								
				Water Temperature Drop (°F)								
				20			30			40		
GPM	MBh	LAT	GPM	MBh	LAT	GPM	MBh	LAT				
15	TWE1804*B	4800	40	45.1	437.0	124.0	27.8	404.7	118.0	19.2	372.9	112.0
			60	39.0	378.3	133.0	23.8	346.6	127.0	16.2	315.2	120.0
			80	33.0	319.8	141.0	19.8	288.6	135.0	13.3	257.5	129.0
		6000	40	51.3	496.8	116.0	31.5	458.9	110.0	21.7	421.5	105.0
			60	44.4	429.9	126.0	27.0	392.6	120.0	18.3	355.8	115.0
			80	37.5	363.0	136.0	22.4	326.5	130.0	14.9	290.3	125.0
		7200	40	56.7	549.8	110.0	34.8	506.7	105.0	23.9	464.3	99.0
			60	49.1	475.5	121.0	29.8	433.1	115.0	20.2	391.5	110.0
			80	41.4	401.3	131.0	24.7	359.8	126.0	16.4	319.0	121.0
20	TWE2404*B	6400	40	59.5	576.5	123.0	37.0	538.3	118.0	25.8	500.5	112.0
			60	51.6	500.0	132.0	31.8	462.4	127.0	21.9	425.0	121.0
			80	43.7	423.7	141.0	26.6	386.6	136.0	18.0	349.7	130.0
		8000	40	67.6	654.9	115.0	41.9	610.0	110.0	29.1	565.7	105.0
			60	58.6	567.8	125.0	36.0	523.6	120.0	24.7	479.9	115.0
			80	49.6	480.7	135.0	30.0	437.3	130.0	20.3	394.2	125.0
		9600	40	74.8	724.6	110.0	46.3	673.8	105.0	32.1	623.6	100.0
			60	64.8	628.0	120.0	39.7	578.0	115.0	27.2	528.4	111.0
			80	54.8	531.4	131.0	33.1	482.2	126.0	22.3	433.5	122.0
25	TWE3004*B	8000	40	65.4	656.9	115.7	40.7	613.8	110.8	28.4	570.1	105.7
			60	56.7	569.9	125.7	35.0	527.2	120.8	24.1	483.8	115.8
			80	48.1	483.1	135.7	29.3	440.6	130.8	19.8	397.3	125.8
		10000	40	72.9	732.5	107.5	45.3	683.0	103.0	31.5	633.0	98.4
			60	63.2	635.2	118.6	38.9	586.2	114.1	26.7	536.5	109.5
			80	53.5	538.0	129.6	32.5	489.4	125.1	21.9	440.0	120.6
		12000	40	79.2	795.5	101.1	49.2	740.5	96.9	34.1	685.1	92.7
			60	68.6	689.5	113.0	42.2	635.1	108.8	28.9	580.3	104.6
			80	58.1	583.7	124.9	35.2	529.9	120.7	23.7	475.4	116.5

**Notes:**

1. SZVAV/2-Speed VFD available for 6–25 ton only.
2. GPM = Gallons Per Minute
3. MBh Capacity: BTU/HR/1000
4. LAT = Leaving Air Temperature (°F)

**Table 74. Hot water heating coil - water side pressure drop @ 180°F entering water temperature - standard/SZVAV/2-Speed VFD air handler**

Tons	Unit Model No.	Gallons Per Minute (GPM)																		
		2	4	6	8	10	12	14	16	18	20	22	24	26	28	30	32	34	36	38
		Pressure Drop (Ft. of Water)																		
5	TWE0604*A/B	0.02	0.07	0.15	0.26	0.40	0.56	0.75	0.97	1.22	1.49	1.78	-	-	-	-	-	-	-	
6	TWE0724*B	-	-	0.06	0.11	0.16	0.23	0.30	0.39	0.48	0.58	0.70	0.82	0.95	1.09	1.24	1.40	1.57	-	
7.5	TWE0904*A,B	-	-	0.06	0.11	0.16	0.23	0.30	0.39	0.48	0.58	0.70	0.82	0.95	1.09	1.24	1.40	1.57	-	
10	TWE1204*A,B	-	-	-	0.06	0.09	0.13	0.17	0.22	0.27	0.33	0.39	0.46	0.54	0.62	0.70	0.79	0.89	0.99	
12.5	TWE1504*B	-	-	-	-	0.11	0.15	0.20	0.26	0.32	0.39	0.47	0.55	0.64	0.73	0.83	0.94	1.05	1.17	
15	TWE1804*B	-	-	-	-	0.11	0.15	0.20	0.26	0.32	0.39	0.47	0.55	0.64	0.73	0.83	0.94	1.05	1.17	
20	TWE2404*B	-	-	-	-	-	0.17	0.23	0.30	0.37	0.45	0.53	0.63	0.72	0.83	0.94	1.06	1.19	1.32	
25	TWE3004*B	-	-	-	-	-	0.17	0.23	0.30	0.37	0.45	0.53	0.63	0.72	0.83	0.94	1.06	1.19	1.32	

**Table 74. Hot water heating coil - water side pressure drop @ 180°F entering water temperature - standard/SZVAV/ 2-Speed VFD air handler (continued)**

Tons	Unit Model No.	Gallons Per Minute (GPM)																		
		40	42	44	46	48	50	52	54	56	58	60	62	64	66	68	70	72	74	76
		Pressure Drop (Ft. of Water)																		
5	TWE0604*A/B	-	-	-	-	-	-	-	-	-	-	-	-	-	-	-	-	-	-	-
6	TWE0724*B	-	-	-	-	-	-	-	-	-	-	-	-	-	-	-	-	-	-	-
7.5	TWE0904*A,B	-	-	-	-	-	-	-	-	-	-	-	-	-	-	-	-	-	-	-
10	TWE1204*A,B	1.21	1.32	1.44	1.57	1.70	1.84	-	-	-	-	-	-	-	-	-	-	-	-	-
12.5	TWE1504*B	1.42	1.56	1.70	1.85	2.00	2.16	2.33	2.50	2.67	2.86	3.04	3.24	3.44	3.64	3.85	4.07	-	-	-
15	TWE1804*B	1.42	1.56	1.70	1.85	2.00	2.16	2.33	2.50	2.67	2.86	3.04	3.24	3.44	3.64	3.85	4.07	-	-	-
20	TWE2404*B	1.61	1.76	1.92	2.09	2.26	2.44	2.63	2.82	3.02	3.22	3.43	3.65	3.87	4.10	4.34	4.58	4.83	5.08	5.34
25	TWE3004*B	1.61	1.76	1.92	2.09	2.26	2.44	2.63	2.82	3.02	3.22	3.43	3.65	3.87	4.10	4.34	4.58	4.83	5.08	5.34

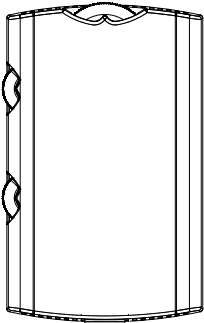
**Note:** SZVAV/2-Speed VFD available for 6-25 ton only.

# Controls

## ReliaTel

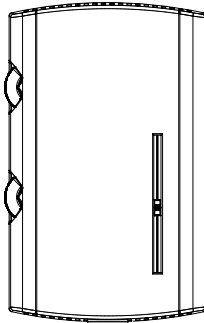
Zone Sensors are the building occupant's comfort control devices. Zone sensors are required for SZVAV applications. The following zone sensor options are available for units with ReliaTel control.

**Manual Changeover (BAYSENS106\*)**



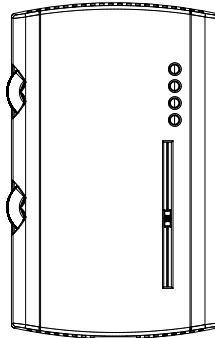
Heat, Cool or Off System Switch. Fan Auto or Off Switch. One temperature setpoint lever.

**Manual/Automatic Changeover (BAYSENS108\*)**



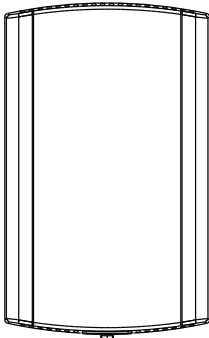
Auto, Heat, Cool or Off System Switch. Fan Auto or Off Switch. Two temperature setpoint levers.

**Manual/Automatic Changeover (BAYSENS110\*)**



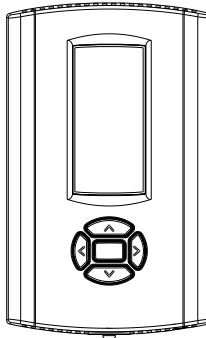
Auto, Heat, Cool or Off System Switch. Fan Auto or Off Switch. Two temperature setpoint levers. Status Indication LED lights, System On, Heat, Cool, or Service.

**Remote Sensor (BAYSENS077\*)**



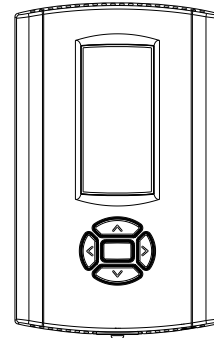
Sensor(s) available for all zone sensors to provide remote sensing capabilities.

**Wireless Zone Sensor (BAYSENS050\*)**



LCD display that provides heat, cool, auto or off. Includes two temperature setpoints and a lockable setting with °F or °C indicators.

**Programmable Night Setback (BAYSENS119\*)**



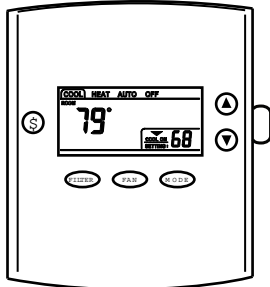
Auto or manual changeover with seven-day programming. Keyboard selection of Heat, Cool, Fan, Auto, EM Heat or On. All sensors have System On, Heat, Cool, Service LED/ indicators as standard. Night Setback Sensors have one (1) Occupied, one (1) Un-occupied, and one (1) Override program per day.



## Electromechanical

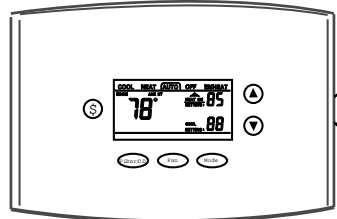
### Non-Programmable Thermostats

TCONT200\*\*\* (1H/1C)



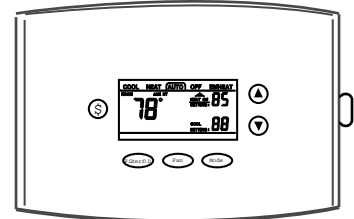
Auto-changeover Backlit Display & Keys Filter Reminder Keypad Lock

TCONT401\*\*\* (2H/1C)



Auto-changeover Backlit Display & Keys Filter Reminder Keypad Lock  
Outdoor Temp Sensor Available

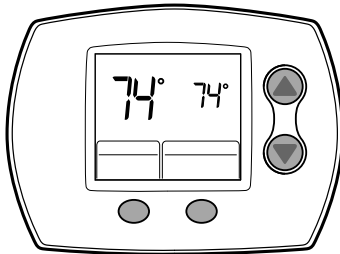
TCONT402\*\*\* (3H/2C)



Auto-changeover Backlit Display & Keys Filter Reminder Keypad Lock  
Outdoor Temp Sensor Included

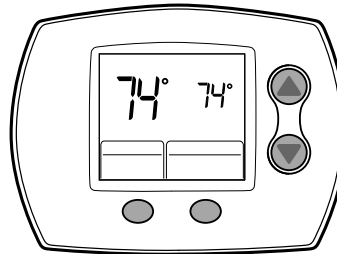
### Programmable Thermostats

TCONT600\*\*\* (1H/1C)



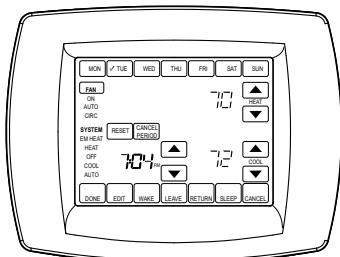
5/2 or 5/1/1 Programming Actual and Setpoint temps displayed simultaneously

TCONT602\*\*\* (2H/2C)



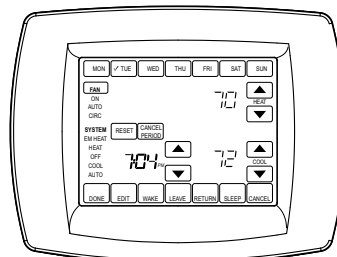
5/2 or 5/1/1 Programming Actual and Setpoint temps displayed simultaneously

TCONT800\*\*\* (1H/1C)



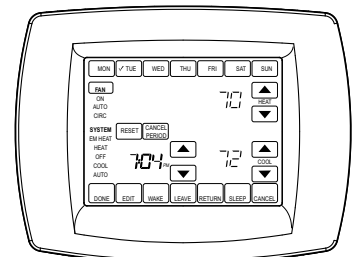
Interactive touchscreen Large display Real time clock

TCONT802\*\*\* (3H/2C)



Interactive touchscreen Large display Real time clock

TCONT803\*\*\* (3H/2C)



Interactive touchscreen Large display Real time clock Built-in humidity sensor

#### Notes:

- All thermostats may be used with ReliaTel units.
- Thermostats may be used with ReliaTel-equipped Cooling units, but only when matched with Standard Air Handlers (SZVAV Air Handlers excluded).

# Electrical Data

## Cooling Condenser

Table 75. Electrical characteristics — compressor and condenser fan motors — 60 Hz

Tons	Unit Model Number	Compressor Motors						Condenser Fan Motor				
		Volts	Phase	Compressor 1		Compressor 2		No.	Volts	Phase	Amps	
				Amps		Amps					FLA (Ea.)	LRA (Ea.)
				RLA	LRA	RLA	LRA					
6	TTA07243A	208-230	3	19.6	136	N/A	N/A	1	208-230	1	3.1	8.1
	TTA07244A	460	3	8.2	66	N/A	N/A	1	460	1	1.6	3.8
	TTA0724KA	380	3	10.3	83	N/A	N/A	1	380	1	1.9	4.9
	TTA0724WA	575	3	6.6	55	N/A	N/A	1	575	1	1.2	3.0
6	TTA07243D	208-230	3	9.0	71	9.0	71	1	208-230	1	3.1	8.1
	TTA07244D	460	3	5.7	38	5.7	38	1	460	1	1.6	3.8
	TTA0724KD	380	3	5.5	45	5.5	45	1	380	1	1.9	4.9
	TTA0724WD	575	3	3.8	37	3.8	37	1	575	1	1.2	3.0
7.5	TTA09043A	208-230	3	25.0	164	N/A	N/A	1	208-230	1	3.1	8.1
	TTA09044A	460	3	12.2	100	N/A	N/A	1	460	1	1.6	3.8
	TTA0904KA	380	3	13.9	94	N/A	N/A	1	380	1	1.9	4.9
	TTA0904WA	575	3	9.2	78	N/A	N/A	1	575	1	1.2	3.0
7.5	TTA09043D	208-230	3	13.1	83	13.1	83	1	208-230	1	3.1	8.1
	TTA09044D	460	3	6.1	41	6.1	41	1	460	1	1.6	3.8
	TTA0904KD	380	3	7.6	52	7.6	52	1	380	1	1.9	4.9
	TTA0904WD	575	3	4.4	33	4.4	33	1	575	1	1.2	3.0
10	TTA12043A	208-230	3	33.0	267	N/A	N/A	1	208-230	1	5.0	14.4
	TTA12044A	460	3	17.8	142	N/A	N/A	1	460	1	2.5	5.8
	TTA1204KA	380	3	25.1	160	N/A	N/A	1	380	1	3.4	7.8
	TTA1204WA	575	3	15.8	103	N/A	N/A	1	575	1	2.0	5.1
10	TTA12043D	208-230	3	16.2	110	16.2	110	1	208-230	1	5.0	14.4
	TTA12044D	460	3	7.6	52	7.6	52	1	460	1	2.5	5.8
	TTA1204KD	380	3	8.5	66	8.5	66	1	380	1	3.4	7.8
	TTA1204WD	575	3	5.3	39	5.3	39	1	575	1	2.0	5.1
10	TTA12043C	208-230	3	16.0	110	16.0	110	1	208-230	1	5.0	14.4
	TTA12044C	460	3	7.8	52	7.8	52	1	460	1	2.5	5.8
	TTA1204WC	575	3	5.7	39	5.7	39	1	575	1	2.0	5.1
12.5	TTA15043D	208-230	3	22.4	149	22.4	149	1	208-230	1	5.0	14.4
	TTA15044D	460	3	10.6	75	10.6	75	1	460	1	2.5	5.8
	TTA1504KD	380	3	11.3	88	11.3	88	1	380	1	3.4	7.8
	TTA1504WD	575	3	7.7	54	7.7	54	1	575	1	2.0	5.1
15	TTA18043D	208-230	3	25.0	164	25.0	164	2	208-230	1	5.0	14.4
	TTA18044D	460	3	12.2	100	12.2	100	2	460	1	2.5	5.8
	TTA1804KD	380	3	13.9	94	13.9	94	2	380	1	3.4	7.8
	TTA1804WD	575	3	9.2	78	9.2	78	2	575	1	2.0	5.1
15	TTA18043C	208-230	3	27.6	191	22.4	149	2	208-230	1	5.0	14.4
	TTA18044C	460	3	12.8	100	10.6	75	2	460	1	2.5	5.8
	TTA1804KC	380	3	15.4	123	11.3	88	2	380	1	3.4	7.8
	TTA1804WC	575	3	9.6	78	7.7	54	2	575	1	2.0	5.1
20	TTA24043D	208-230	3	35.4	240	32.6	240	2	208-230	1	5.0	14.4
	TTA24044D	460	3	16.5	140	14.8	130	2	460	1	2.5	5.8
	TTA2404KD	380	3	21.2	152	16.0	135	2	380	1	3.4	7.8
	TTA2404WD	575	3	12.9	108	11.1	94	2	575	1	2.0	5.1

Table 75. Electrical characteristics — compressor and condenser fan motors — 60 Hz (continued)

Tons	Unit Model Number	Compressor Motors						Condenser Fan Motor				
		Volts	Phase	Compressor 1		Compressor 2		No.	Volts	Phase	Amps	
				Amps		Amps					FLA (Ea.)	LRA (Ea.)
				RLA	LRA	RLA	LRA					
20	TTA24043C	208-230	3	39.1	267	39.1	267	2	208-230	1	5.0	14.4
	TTA24044C	460	3	18.6	142	18.6	142	2	460	1	2.5	5.8
	TTA2404KC	380	3	22.4	160	22.4	160	2	380	1	3.4	7.8
	TTA2404WC	575	3	15.4	103	15.4	103	2	575	1	2.0	5.1
25	TTA30043C	208-230	3	41.0	304	41.0	304	2	208-230	1	5.0	14.4
	TTA30044C	460	3	19.4	147	19.4	147	2	460	1	2.5	5.8
	TTA3004KC	380	3	23.8	168	23.8	168	2	380	1	3.4	7.8
	TTA3004WC	575	3	16.7	122	16.7	122	2	575	1	2.0	5.1

Note: Electrical characteristics reflect nameplate values and are calculated in accordance with cULus specifications.

Table 76. Unit wiring — condensing units — 60 Hz

Tons	Unit Model Number	Unit Operating Voltage Range	Minimum Circuit Ampacity	Maximum Fuse or HACR Circuit Breaker Size
6	TTA07243A	187-253	28	45
	TTA07244A	414-506	12	20
	TTA0724KA	342-418	15	25
	TTA0724WA	518-632	9	15
6	TTA07243D	187-253	23	30
	TTA07244D	414-506	14	20
	TTA0724KD	342-418	14	15
	TTA0724WD	518-632	10	15
7.5	TTA09043A	187-253	34	50
	TTA09044A	414-506	17	25
	TTA0904KA	342-418	19	30
	TTA0904WA	518-632	13	20
7.5	TTA09043D	187-253	33	45
	TTA09044D	414-506	15	20
	TTA0904KD	342-418	19	25
	TTA0904WD	518-632	11	15
10	TTA12043A	187-253	46	70
	TTA12044A	414-506	25	40
	TTA1204KA	342-418	35	50
	TTA1204WA	518-632	22	35
10	TTA12043D	187-253	41	50
	TTA12044D	414-506	20	25
	TTA1204KD	342-418	23	30
	TTA1204WD	518-632	14	15
10	TTA12043C	187-253	41	50
	TTA12044C	414-506	20	25
	TTA1204WC	518-632	15	20
12.5	TTA15043D	187-253	55	70
	TTA15044D	414-506	26	35
	TTA1504KD	342-418	29	40
	TTA1504WD	518-632	19	25

## Electrical Data

**Table 76. Unit wiring — condensing units — 60 Hz (continued)**

Tons	Unit Model Number	Unit Operating Voltage Range	Minimum Circuit Ampacity	Maximum Fuse or HACR Circuit Breaker Size
15	TTA18043D	187-253	66	90
	TTA18044D	414-506	32	40
	TTA1804KD	342-418	38	50
	TTA1804WD	518-632	25	30
15	TTA18043C	187-253	67	90
	TTA18044C	414-506	32	40
	TTA1804KC	342-418	37	50
	TTA1804WC	518-632	24	30
20	TTA24043D	187-253	87	110
	TTA24044D	414-506	40	50
	TTA2404KD	342-418	49	70
	TTA2404WD	518-632	31	40
20	TTA24043C	187-253	98	125
	TTA24044C	414-506	47	60
	TTA2404KC	342-418	57	70
	TTA2404WC	518-632	39	50
25	TTA30043C	187-253	102	125
	TTA30044C	414-506	49	60
	TTA3004KC	342-418	60	80
	TTA3004WC	518-632	42	50

**Note:** HACR type circuit breaker per NEC.

## Air Handler (Standard, SZVAV and 2-Speed VFD)

**Table 77. Voltage operating range (all air handlers)**

Model Number: Digit 8	Electrical Characteristics	Unit Operating Voltage Range
1	208-230/60/1	187-253
3	208-230/60/3	187-253
4	460/60/3	414-506
K	380/60/3	342-418
W	575/60/3	518-632

**Table 78. Electrical characteristics — 5–25 ton standard and low static motors — 60 Hz standard air handler**

Tons	Unit Model Number	Standard Evaporator Fan Motor								Low Static Evaporator Fan Motor							
		No.	Volts	Phase	Hp	Amps		MCA	MFS	No.	Volts	Phase	Hp	Amps		MCA	MFS
						FLA	LRA							FLA	LRA		
5	TWE06041A/B	1	208-230	1	0.75	6.0	41.0	8	15	N/A	N/A	N/A	N/A	N/A	N/A	N/A	N/A
	TWE06043A/B	1	208-230	3	0.75	2.6	16.0	3	15	N/A	N/A	N/A	N/A	N/A	N/A	N/A	N/A
	TWE0604KA	1	380	3	0.75	2.9	8.0	4	15	N/A	N/A	N/A	N/A	N/A	N/A	N/A	N/A
	TWE06044A/B	1	460	3	0.75	1.3	8.0	2	15	N/A	N/A	N/A	N/A	N/A	N/A	N/A	N/A
	TWE0604WA	1	575	3	0.75	1.3	6.0	2	15	N/A	N/A	N/A	N/A	N/A	N/A	N/A	N/A
6	TWE07243B	1	208-230	3	1.5	5.3	34.0	7	15	N/A	N/A	N/A	N/A	N/A	N/A	N/A	N/A
	TWE0724KB	1	380	3	1.5	3.0	20.0	4	15	N/A	N/A	N/A	N/A	N/A	N/A	N/A	N/A
	TWE07243B	1	460	3	1.5	2.5	17.0	3	15	N/A	N/A	N/A	N/A	N/A	N/A	N/A	N/A
	TWE0724WB	1	575	3	1.5	1.7	14.0	2	15	N/A	N/A	N/A	N/A	N/A	N/A	N/A	N/A

**Table 78. Electrical characteristics — 5–25 ton standard and low static motors — 60 Hz standard air handler (continued)**

Tons	Unit Model Number	Standard Evaporator Fan Motor								Low Static Evaporator Fan Motor							
		No.	Volts	Phase	Hp	Amps		MCA	MFS	No.	Volts	Phase	Hp	Amps		MCA	MFS
						FLA	LRA							FLA	LRA		
7.5	TWE09041A/B	1	208-230	1	1.5	6.7	31.0	8	15	N/A	N/A	N/A	N/A	N/A	N/A	N/A	N/A
	TWE09043A/B	1	208-230	3	1.5	5.3	34.0	7	15	N/A	N/A	N/A	N/A	N/A	N/A	N/A	N/A
	TWE0904KA/B	1	380	3	1.5	3.0	20.0	4	15	N/A	N/A	N/A	N/A	N/A	N/A	N/A	N/A
	TWE09043A/B	1	460	3	1.5	2.5	17.0	3	15	N/A	N/A	N/A	N/A	N/A	N/A	N/A	N/A
	TWE0904WA/B	1	575	3	1.5	1.7	14.0	2	15	N/A	N/A	N/A	N/A	N/A	N/A	N/A	N/A
10	TWE12041A/B	1	208-230	1	2	8.5	64.0	11	15	N/A	N/A	N/A	N/A	N/A	N/A	N/A	N/A
	TWE12043A/B	1	208-230	3	2	7.0	19.0	9	15	N/A	N/A	N/A	N/A	N/A	N/A	N/A	N/A
	TWE1204KA/B	1	380	3	2	3.3	28.0	4	15	N/A	N/A	N/A	N/A	N/A	N/A	N/A	N/A
	TWE12043A/B	1	460	3	2	3.3	19.0	4	15	N/A	N/A	N/A	N/A	N/A	N/A	N/A	N/A
	TWE1204WA/B	1	575	3	2	2.3	16.0	3	15	N/A	N/A	N/A	N/A	N/A	N/A	N/A	N/A
12.5	TWE15043B	1	208-230	3	2	5.5	23.0	7	15	N/A	N/A	N/A	N/A	N/A	N/A	N/A	N/A
	TWE1504KB	1	380	3	2	3.3	28.0	4	15	N/A	N/A	N/A	N/A	N/A	N/A	N/A	N/A
	TWE15043B	1	460	3	2	2.8	23.0	3	15	N/A	N/A	N/A	N/A	N/A	N/A	N/A	N/A
	TWE1504WB	1	575	3	2	2.2	18.0	3	15	N/A	N/A	N/A	N/A	N/A	N/A	N/A	N/A
15	TWE18043B	1	208-230	3	3	9.4	75.0	12	20	N/A	N/A	N/A	N/A	N/A	N/A	N/A	N/A
	TWE1804KB	1	380	3	3	5.6	48.0	7	15	N/A	N/A	N/A	N/A	N/A	N/A	N/A	N/A
	TWE18043B	1	460	3	3	4.6	39.0	6	15	N/A	N/A	N/A	N/A	N/A	N/A	N/A	N/A
	TWE1804WB	1	575	3	3	3.4	25.0	4	15	N/A	N/A	N/A	N/A	N/A	N/A	N/A	N/A
20	TWE24043B	1	208-230	3	5	14.0	91.0	18	30	1	208-230	3	3	9.4	75.0	12	20
	TWE2404KB	1	380	3	5	8.1	64.0	10	15	N/A	N/A	N/A	N/A	N/A	N/A	N/A	N/A
	TWE24044B	1	460	3	5	6.3	45.0	8	15	1	460	3	3	4.6	39.0	6	15
	TWE2404WB	1	575	3	5	5.3	36.0	7	15	N/A	N/A	N/A	N/A	N/A	N/A	N/A	N/A
25	TWE30043B	1	208-230	3	7.5	19.6	150.0	25	40	N/A	N/A	N/A	N/A	N/A	N/A	N/A	N/A
	TWE3004KB	1	380	3	7.5	10.9	73.0	14	20	N/A	N/A	N/A	N/A	N/A	N/A	N/A	N/A
	TWE30044B	1	460	3	7.5	8.9	75.0	11	20	N/A	N/A	N/A	N/A	N/A	N/A	N/A	N/A
	TWE3004WB	1	575	3	7.5	7.1	60.0	9	15	N/A	N/A	N/A	N/A	N/A	N/A	N/A	N/A

**Table 79. Electrical characteristics — 5–25 ton high and ultra-high static motors — 60 Hz standard air handler**

Tons	Unit Model Number	High Static Evaporator Fan Motor								Ultra-High Static Evaporator Fan Motor							
		No.	Volts	Phase	Hp	Amps		MCA	MFS	No.	Volts	Phase	Hp	Amps		MCA	MFS
						FLA	LRA							FLA	LRA		
5	TWE06041A/B	1	208-230	1	1.5	6.7	30.7	8	15	N/A	N/A	N/A	N/A	N/A	N/A	N/A	N/A
	TWE06043A/B	1	208-230	3	1.5	5.3	34.3	7	15	N/A	N/A	N/A	N/A	N/A	N/A	N/A	N/A
	TWE0604KA	N/A	N/A	N/A	N/A	N/A	N/A	N/A	N/A	N/A	N/A	N/A	N/A	N/A	N/A	N/A	N/A
	TWE06044A/B	1	460	3	1.5	2.5	17.0	3	15	N/A	N/A	N/A	N/A	N/A	N/A	N/A	N/A
	TWE0604WA	1	575	3	1.5	1.7	14.0	2	15	N/A	N/A	N/A	N/A	N/A	N/A	N/A	N/A
6	TWE07243B	1	208-230	3	2	7.0	19.0	9	15	1	208-230	3	3	9.4	74.9	12	20
	TWE0724KB	N/A	N/A	N/A	N/A	N/A	N/A	N/A	N/A	N/A	N/A	N/A	N/A	N/A	N/A	N/A	N/A
	TWE07243B	1	460	3	2	3.3	19.0	4	15	1	460	3	3	4.6	39.3	6	15
	TWE0724WB	1	575	3	2	2.3	15.6	3	15	1	575	3	3	3.4	24.6	4	15
7.5	TWE09041A/B	1	208-230	1	2	8.5	64.1	11	15	N/A	N/A	N/A	N/A	N/A	N/A	N/A	N/A
	TWE09043A/B	1	208-230	3	2	7.0	19.0	9	15	1	208-230	3	3	9.4	74.9	12	20
	TWE0904KA/B	N/A	N/A	N/A	N/A	N/A	N/A	N/A	N/A	N/A	N/A	N/A	N/A	N/A	N/A	N/A	N/A
	TWE09043A/B	1	460	3	2	3.3	19.0	4	15	1	460	3	3	4.6	39.3	6	15
	TWE0904WA/B	1	575	3	2	2.3	15.6	3	15	1	575	3	3	3.4	24.6	4	15

**Electrical Data**

**Table 79. Electrical characteristics – 5–25 ton high and ultra-high static motors – 60 Hz standard air handler (continued)**

Tons	Unit Model Number	High Static Evaporator Fan Motor								Ultra-High Static Evaporator Fan Motor							
		No.	Volts	Phase	Hp	Amps		MCA	MFS	No.	Volts	Phase	Hp	Amps		MCA	MFS
						FLA	LRA							FLA	LRA		
10	TWE12041A/B	N/A	N/A	N/A	N/A	N/A	N/A	N/A	N/A	N/A	N/A	N/A	N/A	N/A	N/A	N/A	N/A
	TWE12043A/B	1	208-230	3	3	9.4	74.9	12	20	N/A	N/A	N/A	N/A	N/A	N/A	N/A	N/A
	TWE1204KA/B	N/A	N/A	N/A	N/A	N/A	N/A	N/A	N/A	N/A	N/A	N/A	N/A	N/A	N/A	N/A	N/A
	TWE12043A/B	1	460	3	3	4.6	39.3	6	15	N/A	N/A	N/A	N/A	N/A	N/A	N/A	N/A
	TWE1204WA/B	1	575	3	3	3.4	24.6	4	15	N/A	N/A	N/A	N/A	N/A	N/A	N/A	N/A
12.5	TWE15043B	1	208-230	3	3	9.4	74.9	12	20	1	208-230	3	5	14.0	90.8	18	30
	TWE1504KB	N/A	N/A	N/A	N/A	N/A	N/A	N/A	N/A	N/A	N/A	N/A	N/A	N/A	N/A	N/A	N/A
	TWE15043B	1	460	3	3	4.6	39.3	6	15	1	460	3	5	6.3	44.8	8	15
	TWE1504WB	1	575	3	3	3.4	24.6	4	15	1	575	3	5	5.3	36.2	7	15
15	TWE18043B	1	208-230	3	5	14.0	90.8	18	30	N/A	N/A	N/A	N/A	N/A	N/A	N/A	N/A
	TWE1804KB	N/A	N/A	N/A	N/A	N/A	N/A	N/A	N/A	N/A	N/A	N/A	N/A	N/A	N/A	N/A	N/A
	TWE18043B	1	460	3	5	6.3	44.8	8	15	N/A	N/A	N/A	N/A	N/A	N/A	N/A	N/A
	TWE1804WB	1	575	3	5	5.3	36.2	7	15	N/A	N/A	N/A	N/A	N/A	N/A	N/A	N/A
20	TWE24043B	1	208-230	3	7.5	19.6	150.0	25	40	N/A	N/A	N/A	N/A	N/A	N/A	N/A	N/A
	TWE2404KB	N/A	N/A	N/A	N/A	N/A	N/A	N/A	N/A	N/A	N/A	N/A	N/A	N/A	N/A	N/A	N/A
	TWE24044B	1	460	3	7.5	8.9	75.0	11	20	N/A	N/A	N/A	N/A	N/A	N/A	N/A	N/A
	TWE2404WB	1	575	3	7.5	7.1	60.0	9	15	N/A	N/A	N/A	N/A	N/A	N/A	N/A	N/A
25	TWE30043B	N/A	N/A	N/A	N/A	N/A	N/A	N/A	N/A	N/A	N/A	N/A	N/A	N/A	N/A	N/A	N/A
	TWE3004KB	N/A	N/A	N/A	N/A	N/A	N/A	N/A	N/A	N/A	N/A	N/A	N/A	N/A	N/A	N/A	N/A
	TWE30044B	N/A	N/A	N/A	N/A	N/A	N/A	N/A	N/A	N/A	N/A	N/A	N/A	N/A	N/A	N/A	N/A
	TWE3004WB	N/A	N/A	N/A	N/A	N/A	N/A	N/A	N/A	N/A	N/A	N/A	N/A	N/A	N/A	N/A	N/A

**Table 80. Electrical characteristics – standard and oversized motors – 6–25 ton SZVAV and 2-Speed VFD air handler – 60 Hz**

Tons	Unit Model Number	Standard Evaporator Fan Motor								High Static Evaporator Fan Motor							
		No.	Volts	Phase	Hp	Amps		MCA	MFS	No.	Volts	Phase	Hp	Amps		MCA	MFS
						FLA	LRA							FLA	LRA		
6	TWE07243B	1	208-230	3	2	6.2	43.4	8	15	1	208-230	3	3	9.4	71.0	12	20
	TWE07244B	1	460	3	2	2.9	24.0	4	15	1	460	3	3	4.6	35.5	6	15
	TWE0724WB	1	575	3	2	2.2	20.6	3	15	1	575	3	3	3.7	28.4	5	15
7.5	TWE09043B	1	208-230	3	2	6.2	43.4	8	15	1	208-230	3	3	9.4	71.0	12	20
	TWE09044B	1	460	3	2	2.9	24.0	4	15	1	460	3	3	4.6	35.5	6	15
	TWE0904WB	1	575	3	2	2.2	20.6	3	15	1	575	3	3	3.7	28.4	5	15
10	TWE12043A/B	1	208-230	3	2	6.2	43.4	8	15	1	208-230	3	3	9.4	71.0	12	20
	TWE12044A/B	1	460	3	2	2.9	24.0	4	15	1	460	3	3	4.6	35.5	6	15
	TWE1204WA/B	1	575	3	2	2.2	20.6	3	15	1	575	3	3	3.7	28.4	5	15
12.5	TWE15043B	1	208-230	3	2	6.2	43.4	8	15	1	208-230	3	5	13.4	99.5	17	30
	TWE15044B	1	460	3	2	2.9	24.0	4	15	1	460	3	5	6.3	110.0	8	15
	TWE1504WB	1	575	3	2	2.2	20.6	3	15	1	575	3	5	5.1	44.0	6	15
15	TWE18043B	1	208-230	3	3	9.4	71.0	12	20	1	208-230	3	5	13.4	99.5	17	30
	TWE18044B	1	460	3	3	4.6	35.5	6	15	1	460	3	5	6.3	110.0	8	15
	TWE1804WB	1	575	3	3	3.7	28.4	5	15	1	575	3	5	5.1	44.0	6	15
20	TWE24043B	1	208-230	3	5	13.4	99.5	17	30	1	208-230	3	7.5	20.0	113.4	25	40
	TWE24044B	1	460	3	5	6.3	110.0	8	15	1	460	3	7.5	8.8	63.0	11	15
	TWE2404WB	1	575	3	5	5.1	44.0	6	15	1	575	3	7.5	7.1	50.4	9	15

Table 80. Electrical characteristics – standard and oversized motors – 6–25 ton SZVAV and 2-Speed VFD air handler – 60 Hz (continued)

Tons	Unit Model Number	Standard Evaporator Fan Motor								High Static Evaporator Fan Motor							
		No.	Volts	Phase	Hp	Amps		MCA	MFS	No.	Volts	Phase	Hp	Amps		MCA	MFS
						FLA	LRA							FLA	LRA		
25	TWE30043B	1	208-230	3	7.5	20.0	113.4	25	40	N/A	N/A	N/A	N/A	N/A	N/A	N/A	N/A
	TWE30044B	1	460	3	7.5	8.8	63.0	11	15	N/A	N/A	N/A	N/A	N/A	N/A	N/A	N/A
	TWE3004WB	1	575	3	7.5	7.1	50.4	9	15	N/A	N/A	N/A	N/A	N/A	N/A	N/A	N/A

Table 81. Unit wiring with electric heat (single point connection) – 5-25 ton standard air handlers – 60 Hz

Tons	Used With	Heater Model Number	Heater kW Rating	Unit Power Supply	Control Stages	Standard Evap Motor		High Static Evap Motor		Ultra High Static Evap Motor		Low Static Evap Motor	
						MCA	Max Fuse or HACR Circuit Breaker Size	MCA	Max Fuse or HACR Circuit Breaker Size	MCA	Max Fuse or HACR Circuit Breaker Size	MCA	Max Fuse or HACR Circuit Breaker Size
5	TWE06041A/B	BAYHTRL106*	4.33	208/1/60	1	34	35	34	35	N/A	N/A	N/A	N/A
		BAYHTRL112*	8.65		1	59	60	60	70	N/A	N/A	N/A	N/A
		BAYHTRL117*	12.98		1	86	90	86	90	N/A	N/A	N/A	N/A
		BAYHTRL123*	17.31		2	111	125	112	125	N/A	N/A	N/A	N/A
5	TWE06041A/B	BAYHTRL106*	5.76	230/1/60	1	38	40	38	40	N/A	N/A	N/A	N/A
		BAYHTRL112*	11.52		1	68	70	68	70	N/A	N/A	N/A	N/A
		BAYHTRL117*	17.28		1	98	100	98	100	N/A	N/A	N/A	N/A
		BAYHTRL123*	23.04		2	128	150	128	150	N/A	N/A	N/A	N/A
5	TWE06043A/B	BAYHTRL305*	3.76	208/3/60	1	16	20	20	20	N/A	N/A	N/A	N/A
		BAYHTRL310*	7.48		1	29	30	33	35	N/A	N/A	N/A	N/A
		BAYHTRL315*	11.24		1	42	45	46	50	N/A	N/A	N/A	N/A
		BAYHTRL325*	18.72		2	68	70	72	80	N/A	N/A	N/A	N/A
5	TWE06043A/B	BAYHTRL305*	5	230/3/60	1	18	20	22	25	N/A	N/A	N/A	N/A
		BAYHTRL310*	9.96		1	33	35	37	40	N/A	N/A	N/A	N/A
		BAYHTRL315*	14.96		1	48	50	52	60	N/A	N/A	N/A	N/A
		BAYHTRL325*	24.92		2	78	80	82	90	N/A	N/A	N/A	N/A
5	TWE06044A/B	BAYHTRL405*	5	460/3/60	1	9	15	11	15	N/A	N/A	N/A	N/A
		BAYHTRL410*	9.96		1	17	20	18	20	N/A	N/A	N/A	N/A
		BAYHTRL415*	14.96		1	24	25	26	30	N/A	N/A	N/A	N/A
		BAYHTRL425*	24.92		2	39	40	41	45	N/A	N/A	N/A	N/A
5	TWE0604WA	BAYHTRLW05*	5	575/3/60	1	8	15	8	15	N/A	N/A	N/A	N/A
		BAYHTRLW10*	9.96		1	14	15	14	15	N/A	N/A	N/A	N/A
		BAYHTRLW15*	14.96		1	20	20	20	25	N/A	N/A	N/A	N/A
		BAYHTRLW25*	24.92		2	32	35	32	35	N/A	N/A	N/A	N/A
6	TWE07243B	BAYHTRL305*	3.76	208/3/60	1	20	20	22	25	25	30	N/A	N/A
		BAYHTRL310*	7.48		1	33	35	35	35	38	40	N/A	N/A
		BAYHTRL315*	11.24		1	46	50	48	50	51	60	N/A	N/A
		BAYHTRL325*	18.72		2	72	80	74	80	77	80	N/A	N/A
		BAYHTRL335*	26.2		2	98	100	100	100	103	110	N/A	N/A
6	TWE07243B	BAYHTRL305*	5.00	230/3/60	1	22	25	24	25	27	30	N/A	N/A
		BAYHTRL310*	9.96		1	37	40	39	40	42	45	N/A	N/A
		BAYHTRL315*	14.96		1	52	60	54	60	57	60	N/A	N/A
		BAYHTRL325*	24.92		2	82	90	84	90	87	90	N/A	N/A
		BAYHTRL335*	34.88		2	112	125	114	125	117	125	N/A	N/A

**Electrical Data**

**Table 81. Unit wiring with electric heat (single point connection) — 5-25 ton standard air handlers — 60 Hz (continued)**

Tons	Used With	Heater Model Number	Heater kW Rating	Unit Power Supply	Control Stages	Standard Evap Motor		High Static Evap Motor		Ultra High Static Evap Motor		Low Static Evap Motor	
						MCA	Max Fuse or HACR Circuit Breaker Size	MCA	Max Fuse or HACR Circuit Breaker Size	MCA	Max Fuse or HACR Circuit Breaker Size	MCA	Max Fuse or HACR Circuit Breaker Size
6	TWE07243B	BAYHTRL405*	5.00	460/3/60	1	11	15	12	15	13	15	N/A	N/A
		BAYHTRL410*	9.96		1	18	20	19	20	21	25	N/A	N/A
		BAYHTRL415*	14.96		1	26	30	27	30	28	30	N/A	N/A
		BAYHTRL425*	24.92		2	41	45	42	45	43	45	N/A	N/A
		BAYHTRL435*	34.88		2	56	60	57	60	58	60	N/A	N/A
6	TWE0724WB	BAYHTRLW05*	5.00	575/3/60	1	8	15	9	15	10	15	N/A	N/A
		BAYHTRLW10*	9.96		1	14	15	15	15	16	20	N/A	N/A
		BAYHTRLW15*	14.96		1	20	25	21	25	22	25	N/A	N/A
		BAYHTRLW25*	24.92		2	32	35	33	35	34	35	N/A	N/A
		BAYHTRLW35*	34.88		2	44	45	45	45	46	50	N/A	N/A
7.5	TWE09041A/B	BAYHTRL106*	4.33	208/1/60	1	34	35	37	40	N/A	N/A	N/A	N/A
		BAYHTRL112*	8.65		1	60	70	63	70	N/A	N/A	N/A	N/A
		BAYHTRL117*	12.98		1	86	90	89	90	N/A	N/A	N/A	N/A
		BAYHTRL123*	17.31		2	112	125	115	125	N/A	N/A	N/A	N/A
		BAYHTRL129*	21.63		2	138	150	141	150	N/A	N/A	N/A	N/A
7.5	TWE09041A/B	BAYHTRL106*	5.76	230/1/60	1	38	40	41	45	N/A	N/A	N/A	N/A
		BAYHTRL112*	11.52		1	68	70	71	80	N/A	N/A	N/A	N/A
		BAYHTRL117*	17.28		1	98	100	101	110	N/A	N/A	N/A	N/A
		BAYHTRL123*	23.04		2	128	150	131	150	N/A	N/A	N/A	N/A
		BAYHTRL129*	28.8		2	158	175	161	175	N/A	N/A	N/A	N/A
7.5	TWE09043A/B	BAYHTRL305*	3.76	208/3/60	1	20	20	22	25	25	30	N/A	N/A
		BAYHTRL310*	7.48		1	33	35	35	35	38	40	N/A	N/A
		BAYHTRL315*	11.24		1	46	50	48	50	51	60	N/A	N/A
		BAYHTRL325*	18.72		2	72	80	74	80	77	80	N/A	N/A
		BAYHTRL335*	26.2		2	98	100	100	100	103	110	N/A	N/A
7.5	TWE09043A/B	BAYHTRL305*	5.00	230/3/60	1	22	25	24	25	27	30	N/A	N/A
		BAYHTRL310*	9.96		1	37	40	39	40	42	45	N/A	N/A
		BAYHTRL315*	14.96		1	52	60	54	60	57	60	N/A	N/A
		BAYHTRL325*	24.92		2	82	90	84	90	87	90	N/A	N/A
		BAYHTRL335*	34.88		2	112	125	114	125	117	125	N/A	N/A
7.5	TWE09043A/B	BAYHTRL405*	5.00	460/3/60	1	11	15	12	15	13	15	N/A	N/A
		BAYHTRL410*	9.96		1	18	20	19	20	21	25	N/A	N/A
		BAYHTRL415*	14.96		1	26	30	27	30	28	30	N/A	N/A
		BAYHTRL425*	24.92		2	41	45	42	45	43	45	N/A	N/A
		BAYHTRL435*	34.88		2	56	60	57	60	58	60	N/A	N/A
7.5	TWE0904WA/B	BAYHTRLW05*	5.00	575/3/60	1	8	15	9	15	10	15	N/A	N/A
		BAYHTRLW10*	9.96		1	14	15	15	15	16	20	N/A	N/A
		BAYHTRLW15*	14.96		1	20	25	21	25	22	25	N/A	N/A
		BAYHTRLW25*	24.92		2	32	35	33	35	34	35	N/A	N/A
		BAYHTRLW35*	34.88		2	44	45	45	45	46	50	N/A	N/A



Table 81. Unit wiring with electric heat (single point connection) — 5-25 ton standard air handlers — 60 Hz (continued)

Tons	Used With	Heater Model Number	Heater kW Rating	Unit Power Supply	Control Stages	Standard Evap Motor		High Static Evap Motor		Ultra High Static Evap Motor		Low Static Evap Motor	
						MCA	Max Fuse or HACR Circuit Breaker Size	MCA	Max Fuse or HACR Circuit Breaker Size	MCA	Max Fuse or HACR Circuit Breaker Size	MCA	Max Fuse or HACR Circuit Breaker Size
10	TWE12041A/B	BAYHTRL106*	4.33	208/1/60	1	37	40	N/A	N/A	N/A	N/A	N/A	N/A
		BAYHTRL112*	8.65		1	63	70	N/A	N/A	N/A	N/A	N/A	N/A
		BAYHTRL117*	12.98		1	89	90	N/A	N/A	N/A	N/A	N/A	N/A
		BAYHTRL123*	17.31		2	115	125	N/A	N/A	N/A	N/A	N/A	N/A
		BAYHTRL129*	21.63		2	141	150	N/A	N/A	N/A	N/A	N/A	N/A
10	TWE12041A/B	BAYHTRL106*	5.76	230/1/60	1	41	45	N/A	N/A	N/A	N/A	N/A	N/A
		BAYHTRL112*	11.52		1	71	80	N/A	N/A	N/A	N/A	N/A	N/A
		BAYHTRL117*	17.28		1	101	110	N/A	N/A	N/A	N/A	N/A	N/A
		BAYHTRL123*	23.04		2	131	150	N/A	N/A	N/A	N/A	N/A	N/A
		BAYHTRL129*	28.8		2	161	175	N/A	N/A	N/A	N/A	N/A	N/A
10	TWE12043A/B	BAYHTRL305*	3.76	208/3/60	1	22	25	25	30	N/A	N/A	N/A	N/A
		BAYHTRL310*	7.48		1	35	35	38	40	N/A	N/A	N/A	N/A
		BAYHTRL315*	11.24		1	48	50	51	60	N/A	N/A	N/A	N/A
		BAYHTRL325*	18.72		2	74	80	77	80	N/A	N/A	N/A	N/A
		BAYHTRL335*	26.2		2	100	100	103	110	N/A	N/A	N/A	N/A
10	TWE12043A/B	BAYHTRL305*	5.00	230/3/60	1	24	25	27	30	N/A	N/A	N/A	N/A
		BAYHTRL310*	9.96		1	39	40	42	45	N/A	N/A	N/A	N/A
		BAYHTRL315*	14.96		1	54	60	57	60	N/A	N/A	N/A	N/A
		BAYHTRL325*	24.92		2	84	90	87	90	N/A	N/A	N/A	N/A
		BAYHTRL335*	34.88		2	114	125	117	125	N/A	N/A	N/A	N/A
10	TWE12043A/B	BAYHTRL405*	5.00	460/3/60	1	12	15	13	15	N/A	N/A	N/A	N/A
		BAYHTRL410*	9.96		1	19	20	21	25	N/A	N/A	N/A	N/A
		BAYHTRL415*	14.96		1	27	30	28	30	N/A	N/A	N/A	N/A
		BAYHTRL425*	24.92		2	42	45	43	45	N/A	N/A	N/A	N/A
		BAYHTRL435*	34.88		2	57	60	58	60	N/A	N/A	N/A	N/A
10	TWE1204WA/B	BAYHTRLW05*	5.00	575/3/60	1	9	15	10	15	N/A	N/A	N/A	N/A
		BAYHTRLW10*	9.96		1	15	15	16	20	N/A	N/A	N/A	N/A
		BAYHTRLW15*	14.96		1	21	25	22	25	N/A	N/A	N/A	N/A
		BAYHTRLW25*	24.92		2	33	35	34	35	N/A	N/A	N/A	N/A
		BAYHTRLW35*	34.88		2	45	45	46	50	N/A	N/A	N/A	N/A
12.5	TWE15043B	BAYHTRM310A	7.51	208/3/60	1	33	35	38	40	44	50	N/A	N/A
		BAYHTRM320A	14.96		1	59	60	64	70	69	70	N/A	N/A
		BAYHTRM330A	22.47		2	85	90	90	90	95	100	N/A	N/A
		BAYHTRM350A	37.44		2	137	150	142	150	147	150	N/A	N/A
12.5	TWE15043B	BAYHTRM310A	10	230/3/60	1	37	40	42	45	48	50	N/A	N/A
		BAYHTRM320A	19.92		1	67	70	72	80	77	80	N/A	N/A
		BAYHTRM330A	29.92		2	97	100	102	110	107	110	N/A	N/A
		BAYHTRM350A	49.84		2	157	175	162	175	167	175	N/A	N/A
12.5	TWE15043B	BAYHTRM410*	10	460/3/60	1	18	20	21	25	23	25	N/A	N/A
		BAYHTRM420*	19.92		1	33	35	36	40	38	40	N/A	N/A
		BAYHTRM430*	29.92		2	48	50	51	60	53	60	N/A	N/A
		BAYHTRM450*	49.84		2	78	80	81	90	83	90	N/A	N/A

**Electrical Data**

**Table 81. Unit wiring with electric heat (single point connection) — 5-25 ton standard air handlers — 60 Hz (continued)**

Tons	Used With	Heater Model Number	Heater kW Rating	Unit Power Supply	Control Stages	Standard Evap Motor		High Static Evap Motor		Ultra High Static Evap Motor		Low Static Evap Motor	
						MCA	Max Fuse or HACR Circuit Breaker Size	MCA	Max Fuse or HACR Circuit Breaker Size	MCA	Max Fuse or HACR Circuit Breaker Size	MCA	Max Fuse or HACR Circuit Breaker Size
12.5	TWE1504WB	BAYHTRMW10*	10	575/3/60	1	15	15	16	20	19	20	N/A	N/A
		BAYHTRMW20*	19.92		1	27	30	28	30	31	35	N/A	N/A
		BAYHTRMW30*	29.92		2	39	40	40	45	43	45	N/A	N/A
		BAYHTRMW50*	49.84		2	63	70	64	70	67	70	N/A	N/A
15	TWE18043B	BAYHTRM310*	7.51	208/3/60	1	38	40	44	50	N/A	N/A	N/A	N/A
		BAYHTRM320*	14.96		1	64	70	69	70	N/A	N/A	N/A	N/A
		BAYHTRM330*	22.47		2	90	90	95	100	N/A	N/A	N/A	N/A
		BAYHTRM350*	37.44		2	142	150	147	150	N/A	N/A	N/A	N/A
15	TWE18043B	BAYHTRM310*	10	230/3/60	1	42	45	48	50	N/A	N/A	N/A	N/A
		BAYHTRM320*	19.92		1	72	80	77	80	N/A	N/A	N/A	N/A
		BAYHTRM330*	29.92		2	102	110	107	110	N/A	N/A	N/A	N/A
		BAYHTRM350*	49.84		2	162	175	167	175	N/A	N/A	N/A	N/A
15	TWE18043B	BAYHTRM410*	10	460/3/60	1	21	25	23	25	N/A	N/A	N/A	N/A
		BAYHTRM420*	19.92		1	36	40	38	40	N/A	N/A	N/A	N/A
		BAYHTRM430*	29.92		2	51	60	53	60	N/A	N/A	N/A	N/A
		BAYHTRM450*	49.84		2	81	90	83	90	N/A	N/A	N/A	N/A
15	TWE1804WB	BAYHTRMW10*	10	575/3/60	1	16	20	19	20	N/A	N/A	N/A	N/A
		BAYHTRMW20*	19.92		1	28	30	31	35	N/A	N/A	N/A	N/A
		BAYHTRMW30*	29.92		2	40	45	43	45	N/A	N/A	N/A	N/A
		BAYHTRMW50*	49.84		2	64	70	67	70	N/A	N/A	N/A	N/A
20	TWE24043B	BAYHTRM310*	7.51	208/3/60	1	44	50	51	60	N/A	N/A	38	40
		BAYHTRM320*	14.96		1	69	70	76	80	N/A	N/A	64	70
		BAYHTRM330*	22.47		2	95	100	102	110	N/A	N/A	90	90
		BAYHTRM350*	37.44		2	147	150	154	175	N/A	N/A	142	150
20	TWE24043B	BAYHTRM310*	10	230/3/60	1	48	50	55	60	N/A	N/A	42	45
		BAYHTRM320*	19.92		1	77	80	84	90	N/A	N/A	72	80
		BAYHTRM330*	29.92		2	107	110	114	125	N/A	N/A	102	110
		BAYHTRM350*	49.84		2	167	175	174	175	N/A	N/A	162	175
20	TWE24044B	BAYHTRM410*	10	460/3/60	1	23	25	26	30	N/A	N/A	21	25
		BAYHTRM420*	19.92		1	38	40	41	45	N/A	N/A	36	40
		BAYHTRM430*	29.92		2	53	60	56	60	N/A	N/A	51	60
		BAYHTRM450*	49.84		2	83	90	86	90	N/A	N/A	81	90
20	TWE2404WB	BAYHTRMW10*	10	575/3/60	1	19	20	21	25	N/A	N/A	N/A	N/A
		BAYHTRMW20*	19.92		1	31	35	33	35	N/A	N/A	N/A	N/A
		BAYHTRMW30*	29.92		2	43	45	45	45	N/A	N/A	N/A	N/A
		BAYHTRMW50*	49.84		2	67	70	69	70	N/A	N/A	N/A	N/A
25	TWE30043B	BAYHTRM310*	7.51	208/3/60	1	51	60	N/A	N/A	N/A	N/A	N/A	N/A
		BAYHTRM320*	14.96		1	76	80	N/A	N/A	N/A	N/A	N/A	N/A
		BAYHTRM330*	22.47		2	102	110	N/A	N/A	N/A	N/A	N/A	N/A
		BAYHTRM350*	37.44		2	154	175	N/A	N/A	N/A	N/A	N/A	N/A

**Table 81. Unit wiring with electric heat (single point connection) — 5-25 ton standard air handlers — 60 Hz (continued)**

Tons	Used With	Heater Model Number	Heater kW Rating	Unit Power Supply	Control Stages	Standard Evap Motor		High Static Evap Motor		Ultra High Static Evap Motor		Low Static Evap Motor	
						MCA	Max Fuse or HACR Circuit Breaker Size	MCA	Max Fuse or HACR Circuit Breaker Size	MCA	Max Fuse or HACR Circuit Breaker Size	MCA	Max Fuse or HACR Circuit Breaker Size
25	TWE30043B	BAYHTRM310*	10	230/3/60	1	55	60	N/A	N/A	N/A	N/A	N/A	N/A
		BAYHTRM320*	19.92		1	84	90	N/A	N/A	N/A	N/A	N/A	N/A
		BAYHTRM330*	29.92		2	114	125	N/A	N/A	N/A	N/A	N/A	N/A
		BAYHTRM350*	49.84		2	174	175	N/A	N/A	N/A	N/A	N/A	N/A
25	TWE30044B	BAYHTRM410*	10	460/3/60	1	26	30	N/A	N/A	N/A	N/A	N/A	N/A
		BAYHTRM420*	19.92		1	41	45	N/A	N/A	N/A	N/A	N/A	N/A
		BAYHTRM430*	29.92		2	56	60	N/A	N/A	N/A	N/A	N/A	N/A
		BAYHTRM450*	49.84		2	86	90	N/A	N/A	N/A	N/A	N/A	N/A
25	TWE3004WB	BAYHTRMW10*	10	575/3/60	1	21	25	N/A	N/A	N/A	N/A	N/A	N/A
		BAYHTRMW20*	19.92		1	33	35	N/A	N/A	N/A	N/A	N/A	N/A
		BAYHTRMW30*	29.92		2	45	45	N/A	N/A	N/A	N/A	N/A	N/A
		BAYHTRMW50*	49.84		2	69	70	N/A	N/A	N/A	N/A	N/A	N/A

**Table 82. Unit wiring with electric heat (single point connection) — 6-25 ton SZVAV and 2-Speed VFD air handlers — 60 Hz**

Tons	Used With	Heater Model Number	Heater KW Rating	Unit Power Supply	Control Stages	MCA	Maximum Fuse or HACR Circuit Breaker Size
6	TWE07243B****A0, B0	BAYHTRL305*	3.76	208/3/60	1	21	25
		BAYHTRL310*	7.48		1	34	35
		BAYHTRL315*	11.24		1	47	50
		BAYHTRL325*	18.72		2	73	80
		BAYHTRL335*	26.20		2	99	100
6	TWE07243B****A0, B0	BAYHTRL305*	5.00	230/3/60	1	23	25
		BAYHTRL310*	9.96		1	38	40
		BAYHTRL315*	14.96		1	53	60
		BAYHTRL325*	24.92		2	83	90
		BAYHTRL335*	34.88		2	113	125
6	TWE07243B****A4, B4	BAYHTRL305*	3.76	208/3/60	1	25	30
		BAYHTRL310*	7.48		1	38	40
		BAYHTRL315*	11.24		1	51	60
		BAYHTRL325*	18.72		2	77	80
		BAYHTRL335*	26.20		2	103	110
6	TWE07243B****A4, B4	BAYHTRL305*	5.00	230/3/60	1	27	30
		BAYHTRL310*	9.96		1	42	45
		BAYHTRL315*	14.96		1	57	60
		BAYHTRL325*	24.92		2	87	90
		BAYHTRL335*	34.88		2	117	125
6	TWE07244B****A0, B0	BAYHTRL405*	5.00	460/3/60	1	11	15
		BAYHTRL410*	9.96		1	19	20
		BAYHTRL415*	14.96		1	26	30
		BAYHTRL425*	24.92		2	41	45
		BAYHTRL435*	34.88		2	56	60

**Electrical Data**

**Table 82. Unit wiring with electric heat (single point connection) — 6-25 ton SZVAV and 2-Speed VFD air handlers — 60 Hz (continued)**

Tons	Used With	Heater Model Number	Heater KW Rating	Unit Power Supply	Control Stages	MCA	Maximum Fuse or HACR Circuit Breaker Size
6	TWE07244B****A4, B4	BAYHTRL405*	5.00	460/3/60	1	13	15
		BAYHTRL410*	9.96		1	21	25
		BAYHTRL415*	14.96		1	28	30
		BAYHTRL425*	24.92		2	43	45
		BAYHTRL435*	34.88		2	58	60
6	TWE0724WB****A0, B0	BAYHTRLW05*	5.00	575/3/60	1	9	15
		BAYHTRLW10*	9.96		1	15	15
		BAYHTRLW15*	14.96		1	21	25
		BAYHTRLW25*	24.92		2	33	35
		BAYHTRLW35*	34.88		2	45	45
6	TWE0724WB****A4, B4	BAYHTRLW05*	5.00	575/3/60	1	11	15
		BAYHTRLW10*	9.96		1	17	20
		BAYHTRLW15*	14.96		1	23	25
		BAYHTRLW25*	24.92		2	35	35
		BAYHTRLW35*	34.88		2	47	50
7.5	TWE09043B****A0, B0	BAYHTRL305*	3.76	208/3/60	1	21	25
		BAYHTRL310*	7.48		1	34	35
		BAYHTRL315*	11.24		1	47	50
		BAYHTRL325*	18.72		2	73	80
		BAYHTRL335*	26.20		2	99	100
7.5	TWE09043B****A0, B0	BAYHTRL305*	5.00	230/3/60	1	23	25
		BAYHTRL310*	9.96		1	38	40
		BAYHTRL315*	14.96		1	53	60
		BAYHTRL325*	24.92		2	83	90
		BAYHTRL335*	34.88		2	113	125
7.5	TWE09043B****A4, B4	BAYHTRL305*	3.76	208/3/60	1	25	30
		BAYHTRL310*	7.48		1	38	40
		BAYHTRL315*	11.24		1	51	60
		BAYHTRL325*	18.72		2	77	80
		BAYHTRL335*	26.20		2	103	110
7.5	TWE09043B****A4, B4	BAYHTRL305*	5.00	230/3/60	1	27	30
		BAYHTRL310*	9.96		1	42	45
		BAYHTRL315*	14.96		1	57	60
		BAYHTRL325*	24.92		2	87	90
		BAYHTRL335*	34.88		2	117	125
7.5	TWE09044B****A0, B0	BAYHTRL405*	5.00	460/3/60	1	11	15
		BAYHTRL410*	9.96		1	19	20
		BAYHTRL415*	14.96		1	26	30
		BAYHTRL425*	24.92		2	41	45
		BAYHTRL435*	34.88		2	56	60
7.5	TWE09044B****A4, B4	BAYHTRL405*	5.00	460/3/60	1	13	15
		BAYHTRL410*	9.96		1	21	25
		BAYHTRL415*	14.96		1	28	30
		BAYHTRL425*	24.92		2	43	45
		BAYHTRL435*	34.88		2	58	60

**Table 82. Unit wiring with electric heat (single point connection) — 6-25 ton SZVAV and 2-Speed VFD air handlers — 60 Hz (continued)**

Tons	Used With	Heater Model Number	Heater KW Rating	Unit Power Supply	Control Stages	MCA	Maximum Fuse or HACR Circuit Breaker Size
7.5	TWE0904WB****A0, B0	BAYHTRLW05*	5.00	575/3/60	1	9	15
		BAYHTRLW10*	9.96		1	15	15
		BAYHTRLW15*	14.96		1	21	25
		BAYHTRLW25*	24.92		2	33	35
		BAYHTRLW35*	34.88		2	45	45
7.5	TWE0904WB****A4, B4	BAYHTRLW05*	5.00	575/3/60	1	11	15
		BAYHTRLW10*	9.96		1	17	20
		BAYHTRLW15*	14.96		1	23	25
		BAYHTRLW25*	24.92		2	35	35
		BAYHTRLW35*	34.88		2	47	50
10	TWE12043A****A0, B0 TWE12043B****A0, B0	BAYHTRL305*	3.76	208/3/60	1	21	25
		BAYHTRL310*	7.48		1	34	35
		BAYHTRL315*	11.24		1	47	50
		BAYHTRL325*	18.72		2	73	80
		BAYHTRL335*	26.20		2	99	100
10	TWE12043A****A0, B0 TWE12043B****A0, B0	BAYHTRL305*	5.00	230/3/60	1	23	25
		BAYHTRL310*	9.96		1	38	40
		BAYHTRL315*	14.96		1	53	60
		BAYHTRL325*	24.92		2	83	90
		BAYHTRL335*	34.88		2	113	125
10	TWE12043A****A4, B4 TWE12043B****A4, B4	BAYHTRL305*	3.76	208/3/60	1	25	30
		BAYHTRL310*	7.48		1	38	40
		BAYHTRL315*	11.24		1	51	60
		BAYHTRL325*	18.72		2	77	80
		BAYHTRL335*	26.20		2	103	110
10	TWE12043A****A4, B4 TWE12043B****A4, B4	BAYHTRL305*	5.00	230/3/60	1	27	30
		BAYHTRL310*	9.96		1	42	45
		BAYHTRL315*	14.96		1	57	60
		BAYHTRL325*	24.92		2	87	90
		BAYHTRL335*	34.88		2	117	125
10	TWE12044A****A0, B0 TWE12044B****A0, B0	BAYHTRL405*	5.00	460/3/60	1	11	15
		BAYHTRL410*	9.96		1	19	20
		BAYHTRL415*	14.96		1	26	30
		BAYHTRL425*	24.92		2	41	45
		BAYHTRL435*	34.88		2	56	60
10	TWE12044A****A4, B4 TWE12044B****A4, B4	BAYHTRL405*	5.00	460/3/60	1	13	15
		BAYHTRL410*	9.96		1	21	25
		BAYHTRL415*	14.96		1	28	30
		BAYHTRL425*	24.92		2	43	45
		BAYHTRL435*	34.88		2	58	60
10	TWE1204WA****A0, B0 TWE1204WB****A0, B0	BAYHTRLW05*	5.00	575/3/60	1	9	15
		BAYHTRLW10*	9.96		1	15	15
		BAYHTRLW15*	14.96		1	21	25
		BAYHTRLW25*	24.92		2	33	35
		BAYHTRLW35*	34.88		2	45	50

**Electrical Data**

**Table 82. Unit wiring with electric heat (single point connection) — 6-25 ton SZVAV and 2-Speed VFD air handlers — 60 Hz (continued)**

Tons	Used With	Heater Model Number	Heater KW Rating	Unit Power Supply	Control Stages	MCA	Maximum Fuse or HACR Circuit Breaker Size
10	TWE1204WA****A4, B4 TWE1204WB****A4, B4	BAYHTRLW05*	5.00	575/3/60	1	11	15
		BAYHTRLW10*	9.96		1	17	20
		BAYHTRLW15*	14.96		1	23	25
		BAYHTRLW25*	24.92		2	35	35
		BAYHTRLW35*	34.88		2	47	50
12.5	TWE15043B****A0, B0	BAYHTRM310*	7.51	208/3/60	1	34	35
		BAYHTRM320*	14.96		1	60	60
		BAYHTRM330*	22.47		2	86	90
		BAYHTRM350*	37.44		2	138	150
12.5	TWE15043B****A0, B0	BAYHTRM310*	10.00	230/3/60	1	38	40
		BAYHTRM320*	19.92		1	68	70
		BAYHTRM330*	29.92		2	98	100
		BAYHTRM350*	49.84		2	158	175
12.5	TWE15043B****A4, B4	BAYHTRM310*	7.51	208/3/60	1	43	50
		BAYHTRM320*	14.96		1	69	70
		BAYHTRM330*	22.47		2	95	100
		BAYHTRM350*	37.44		2	147	150
12.5	TWE15043B****A4, B4	BAYHTRM310*	10.00	230/3/60	1	47	50
		BAYHTRM320*	19.92		1	77	80
		BAYHTRM330*	29.92		2	107	110
		BAYHTRM350*	49.84		2	167	175
12.5	TWE15044B****A0, B0	BAYHTRM410*	10.00	460/3/60	1	19	20
		BAYHTRM420*	19.92		1	34	35
		BAYHTRM430*	29.92		2	49	50
		BAYHTRM450*	49.84		2	79	80
12.5	TWE15044B****A4, B4	BAYHTRM410*	10.00	460/3/60	1	23	25
		BAYHTRM420*	19.92		1	38	40
		BAYHTRM430*	29.92		2	53	60
		BAYHTRM450*	49.84		2	83	90
12.5	TWE1504WB****A0, B0	BAYHTRMW10*	10.00	575/3/60	1	15	15
		BAYHTRMW20*	19.92		1	27	30
		BAYHTRMW30*	29.92		2	39	40
		BAYHTRMW50*	49.84		2	63	70
12.5	TWE1504WB****A4, B4	BAYHTRMW10*	10.00	575/3/60	1	18	20
		BAYHTRMW20*	19.92		1	30	35
		BAYHTRMW30*	29.92		2	42	45
		BAYHTRMW50*	49.84		2	66	70
15	TWE18043B****A0, B0	BAYHTRM310*	7.51	208/3/60	1	38	40
		BAYHTRM320*	14.96		1	64	70
		BAYHTRM330*	22.47		2	90	90
		BAYHTRM350*	37.44		2	142	150
15	TWE18043B****A0, B0	BAYHTRM310*	10.00	230/3/60	1	42	45
		BAYHTRM320*	19.92		1	72	80
		BAYHTRM330*	29.92		2	102	110
		BAYHTRM350*	49.84		2	162	175

**Table 82. Unit wiring with electric heat (single point connection) — 6-25 ton SZVAV and 2-Speed VFD air handlers — 60 Hz (continued)**

Tons	Used With	Heater Model Number	Heater KW Rating	Unit Power Supply	Control Stages	MCA	Maximum Fuse or HACR Circuit Breaker Size
15	TWE18043B****A4, B4	BAYHTRM310*	7.51	208/3/60	1	43	50
		BAYHTRM320*	14.96		1	69	70
		BAYHTRM330*	22.47		2	95	100
		BAYHTRM350*	37.44		2	147	150
15	TWE18043B****A4, B4	BAYHTRM310*	10.00	230/3/60	1	47	50
		BAYHTRM320*	19.92		1	77	80
		BAYHTRM330*	29.92		2	107	110
		BAYHTRM350*	49.84		2	167	175
15	TWE18044B****A0, B0	BAYHTRM410*	10.00	460/3/60	1	21	25
		BAYHTRM420*	19.92		1	36	40
		BAYHTRM430*	29.92		2	51	60
		BAYHTRM450*	49.84		2	81	90
15	TWE18044B****A4, B4	BAYHTRM410*	10.00	460/3/60	1	23	25
		BAYHTRM420*	19.92		1	38	40
		BAYHTRM430*	29.92		2	53	60
		BAYHTRM450*	49.84		2	83	90
15	TWE1804WB****A0, B0	BAYHTRMW10*	10.00	575/3/60	1	17	20
		BAYHTRMW20*	19.92		1	29	30
		BAYHTRMW30*	29.92		2	41	45
		BAYHTRMW50*	49.84		2	65	70
15	TWE1804WB****A4, B4	BAYHTRMW10*	10.00	575/3/60	1	18	20
		BAYHTRMW20*	19.92		1	30	35
		BAYHTRMW30*	29.92		2	42	45
		BAYHTRMW50*	49.84		2	66	70
20	TWE24043B****A0, B0	BAYHTRM310*	7.51	208/3/60	1	43	50
		BAYHTRM320*	14.96		1	69	70
		BAYHTRM330*	22.47		2	95	100
		BAYHTRM350*	37.44		2	147	150
20	TWE24043B****A0, B0	BAYHTRM310*	10.00	230/3/60	1	47	50
		BAYHTRM320*	19.92		1	77	80
		BAYHTRM330*	29.92		2	107	110
		BAYHTRM350*	49.84		2	167	175
20	TWE24043B****A4, B4	BAYHTRM310*	7.51	208/3/60	1	51	60
		BAYHTRM320*	14.96		1	77	80
		BAYHTRM330*	22.47		2	103	110
		BAYHTRM350*	37.44		2	155	175
20	TWE24043B****A4, B4	BAYHTRM310*	10.00	230/3/60	1	55	60
		BAYHTRM320*	19.92		1	85	90
		BAYHTRM330*	29.92		2	115	125
		BAYHTRM350*	49.84		2	175	175
20	TWE24044B****A0, B0	BAYHTRM410*	10.00	460/3/60	1	23	25
		BAYHTRM420*	19.92		1	38	40
		BAYHTRM430*	29.92		2	53	60
		BAYHTRM450*	49.84		2	83	90

**Electrical Data**

**Table 82. Unit wiring with electric heat (single point connection) — 6-25 ton SZVAV and 2-Speed VFD air handlers — 60 Hz (continued)**

Tons	Used With	Heater Model Number	Heater KW Rating	Unit Power Supply	Control Stages	MCA	Maximum Fuse or HACR Circuit Breaker Size
20	TWE24044B****A4, B4	BAYHTRM410*	10.00	460/3/60	1	26	30
		BAYHTRM420*	19.92		1	41	45
		BAYHTRM430*	29.92		2	56	60
		BAYHTRM450*	49.84		2	86	90
20	TWE2404WB****A0, B0	BAYHTRMW10*	10.00	575/3/60	1	18	20
		BAYHTRMW20*	19.92		1	30	35
		BAYHTRMW30*	29.92		2	42	45
		BAYHTRMW50*	49.84		2	66	70
20	TWE2404WB****A4, B4	BAYHTRMW10*	10.00	575/3/60	1	21	25
		BAYHTRMW20*	19.92		1	33	35
		BAYHTRMW30*	29.92		2	45	45
		BAYHTRMW50*	49.84		2	69	70
25	TWE30043B****A0, B0	BAYHTRM310*	7.51	208/3/60	1	51	60
		BAYHTRM320*	14.96		1	77	80
		BAYHTRM330*	22.47		2	103	110
		BAYHTRM350*	37.44		2	155	175
25	TWE30043B****A0, B0	BAYHTRM310*	10.00	230/3/60	1	55	60
		BAYHTRM320*	19.92		1	85	90
		BAYHTRM330*	29.92		2	115	125
		BAYHTRM350*	49.84		2	175	175
25	TWE30044B****A0, B0	BAYHTRM410*	10.00	460/3/60	1	26	30
		BAYHTRM420*	19.92		1	41	45
		BAYHTRM430*	29.92		2	56	60
		BAYHTRM450*	49.84		2	86	90
25	TWE3004WB****A0, B0	BAYHTRMW10*	10.00	575/3/60	1	21	25
		BAYHTRMW20*	19.92		1	33	35
		BAYHTRMW30*	29.92		2	45	45
		BAYHTRMW50*	49.84		2	69	70



## Jobsite Connections

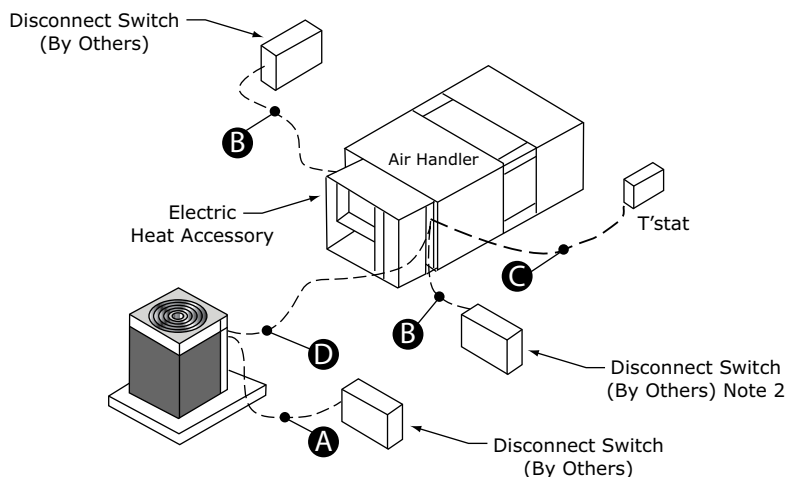
### Electromechanical Controls

Wiring shown with dashed lines is to be furnished and installed by the customer. All customer supplied wiring must be copper only and must conform to NEC and local electrical codes. Codes may require line of sight between disconnect switch and unit.

**Note:** When electric heater accessory is used, single point power entry or dual point power entry is field optional. Single point power entry option is through electric heater only.

**Important:** For the EDC switch to be functional and thereby facilitate reliable unit operation, make the EDC connections from the indoor to the outdoor control boxes.

**Figure 25. Electromechanical jobsite connections**



- A. 3 power wires, line voltage for 3 phase, (2 power wires for single phase)
- B. 3 power wires, line voltage for 3 phase, (2 power wires for single phase)
- C. Cooling only thermostat: 3 to 7 wires depending on stages of electric heat
- D. 3 to 7 wires depending on type of outdoor unit(s)

### ReliaTel Controls

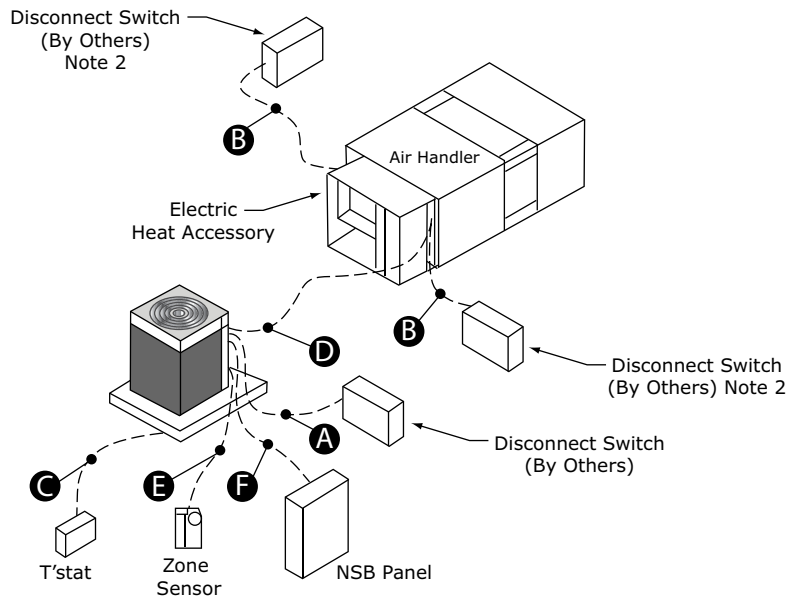
Wiring shown with dashed lines is to be furnished and installed by the customer. All customer supplied wiring must be copper only and must conform to NEC and local electrical codes. Codes may require line of sight between disconnect switch and unit.

**Notes:**

1. When electric heater accessory is used, single point power entry or dual point power entry is field optional. Single point power entry option is through electric heater only.
2. \*\*\*Choose only one of the following; Thermostat, Zone Sensor, or NSB Panel.

**Important:** For the EDC switch to be functional and thereby facilitate reliable unit operation, make the EDC connections from the indoor to the outdoor control boxes.

**Figure 26. ReliaTel jobsite connections**



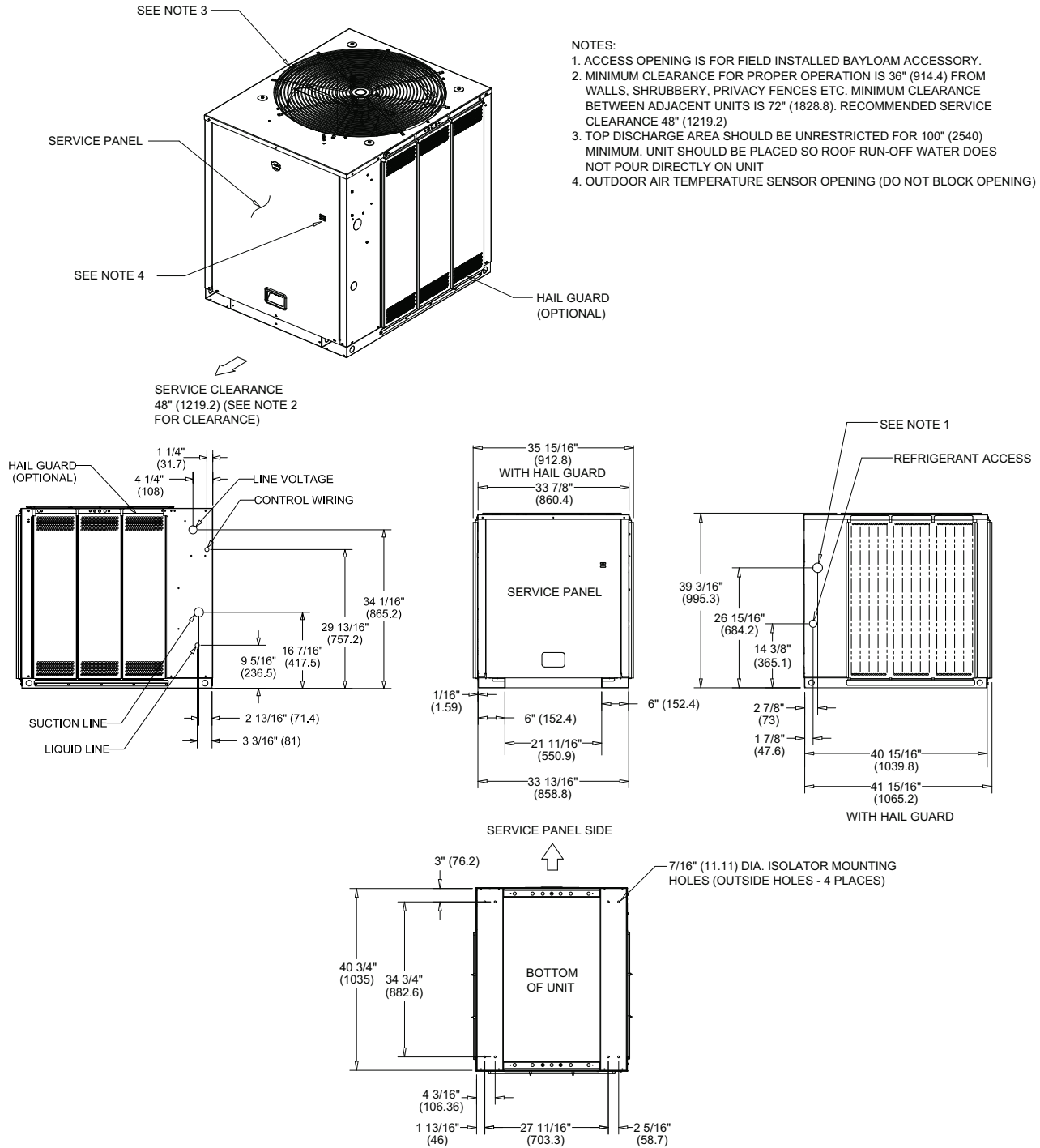
- A. 3 power wires, line voltage for 3 phase, (2 power wires for single phase)
- B. 3 power wires, line voltage for 3 phase, (2 power wires for single phase)
- C. Cooling only thermostat: 3 to 7 wires depending on stages of electric heat
- D. 3 to 7 wires depending on type of outdoor unit(s)
- E. Zone Sensor: 4 to 10 wires depending on zone sensor model<sup>(a)</sup>
- F. Night Setback Panel: 7 wires

<sup>(a)</sup> For SZVAV air handlers: 4 additional wires are required (2 of which require twisted pair or shielded wire) in order to make connections between ReliaTel boards in the condenser and air handler.

# Dimensional Data

## Cooling Condenser

Figure 27. 6-7.5 ton condensing unit, single compressor, microchannel



**Dimensional Data**

**Figure 28. 6, 7.5 ton condensing unit, dual compressor, microchannel**

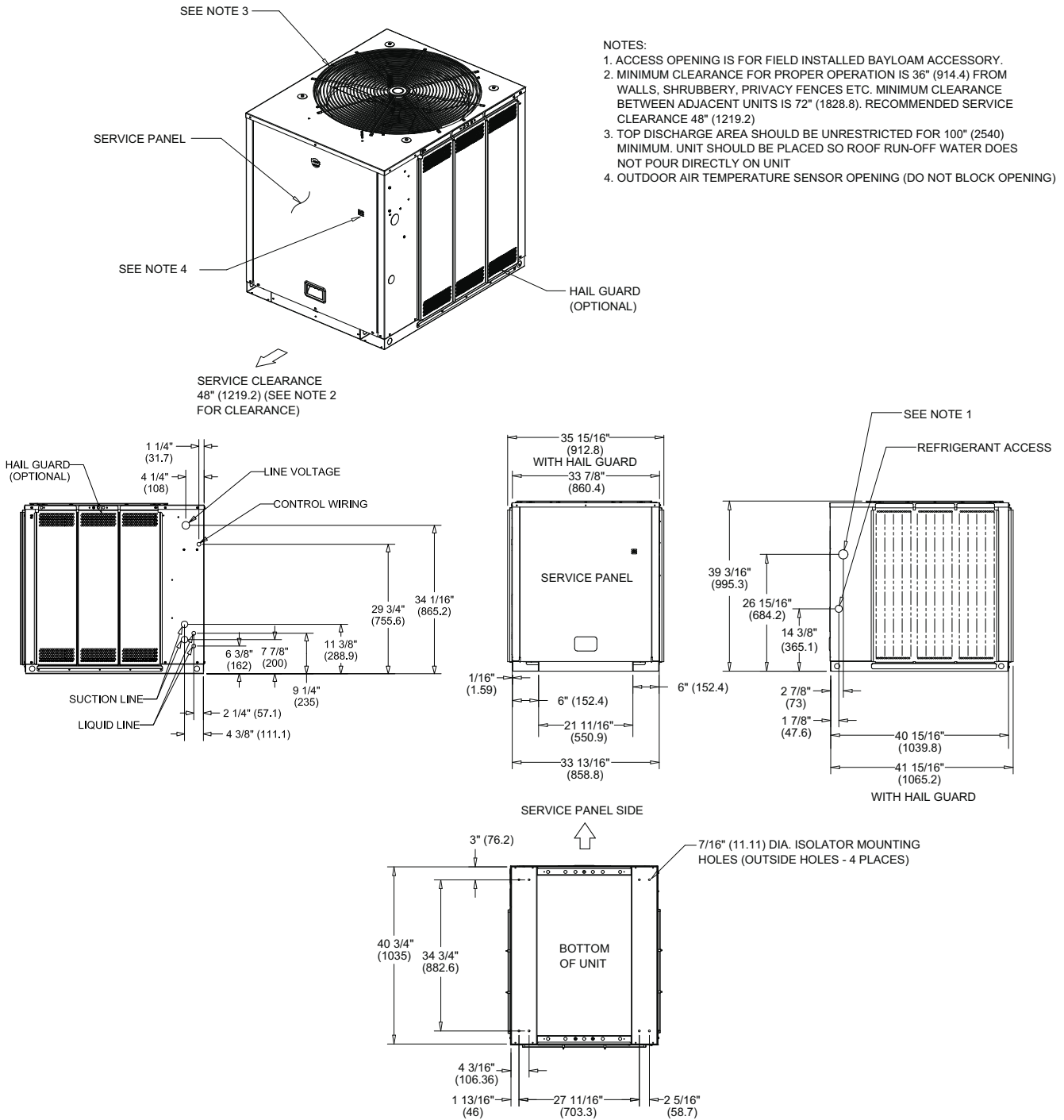
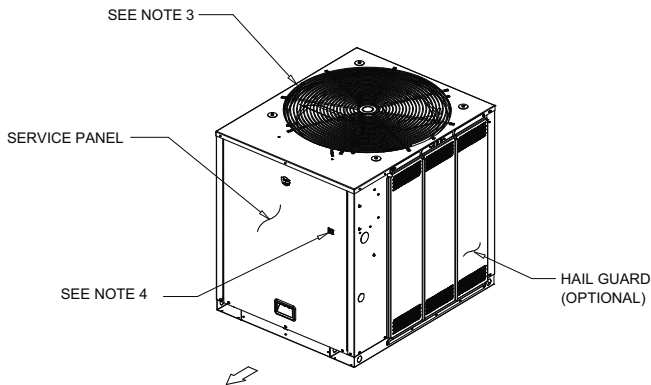


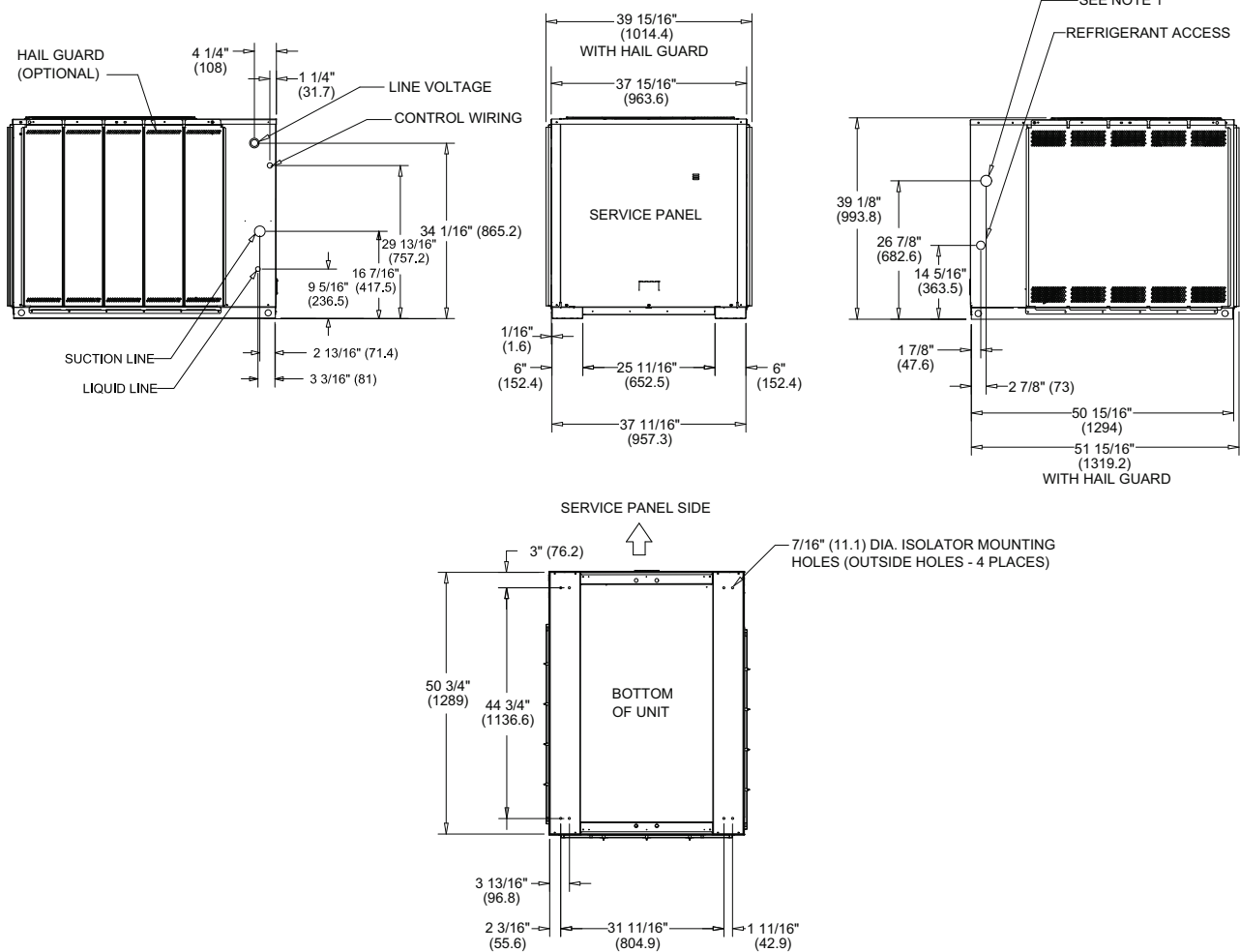
Figure 29. 10 ton condensing unit, single and manifolded compressor, microchannel



NOTES:

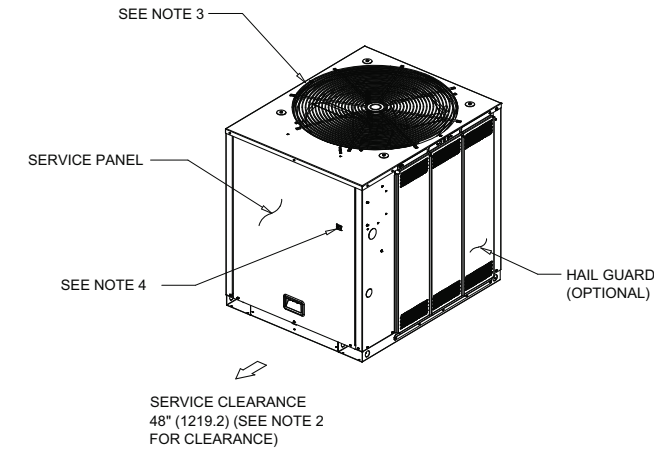
1. ACCESS OPENING IS FOR FIELD INSTALLED BAYLOAM ACCESSORY.
2. MINIMUM CLEARANCE FOR PROPER OPERATION IS 36" (914.4) FROM WALLS, SHRUBBERY, PRIVACY FENCES ETC. MINIMUM CLEARANCE BETWEEN ADJACENT UNITS IS 72" (1828.8). RECOMMENDED SERVICE CLEARANCE 48" (1219.2)
3. TOP DISCHARGE AREA SHOULD BE UNRESTRICTED FOR 100" (2540) MINIMUM. UNIT SHOULD BE PLACED SO ROOF RUN-OFF WATER DOES NOT POUR DIRECTLY ON UNIT
4. OUTDOOR AIR TEMPERATURE SENSOR OPENING (DO NOT BLOCK OPENING)

SERVICE CLEARANCE  
48" (1219.2) (SEE NOTE 2  
FOR CLEARANCE



**Dimensional Data**

**Figure 30. 10 ton condensing unit, dual compressor, microchannel**



- NOTES:
1. ACCESS OPENING IS FOR FIELD INSTALLED BAYLOAM ACCESSORY.
  2. MINIMUM CLEARANCE FOR PROPER OPERATION IS 36" (914.4) FROM WALLS, SHRUBBERY, PRIVACY FENCES ETC. MINIMUM CLEARANCE BETWEEN ADJACENT UNITS IS 72" (1828.8). RECOMMENDED SERVICE CLEARANCE 48" (1219.2)
  3. TOP DISCHARGE AREA SHOULD BE UNRESTRICTED FOR 100" (2540) MINIMUM. UNIT SHOULD BE PLACED SO ROOF RUN-OFF WATER DOES NOT POUR DIRECTLY ON UNIT
  4. OUTDOOR AIR TEMPERATURE SENSOR OPENING (DO NOT BLOCK OPENING).

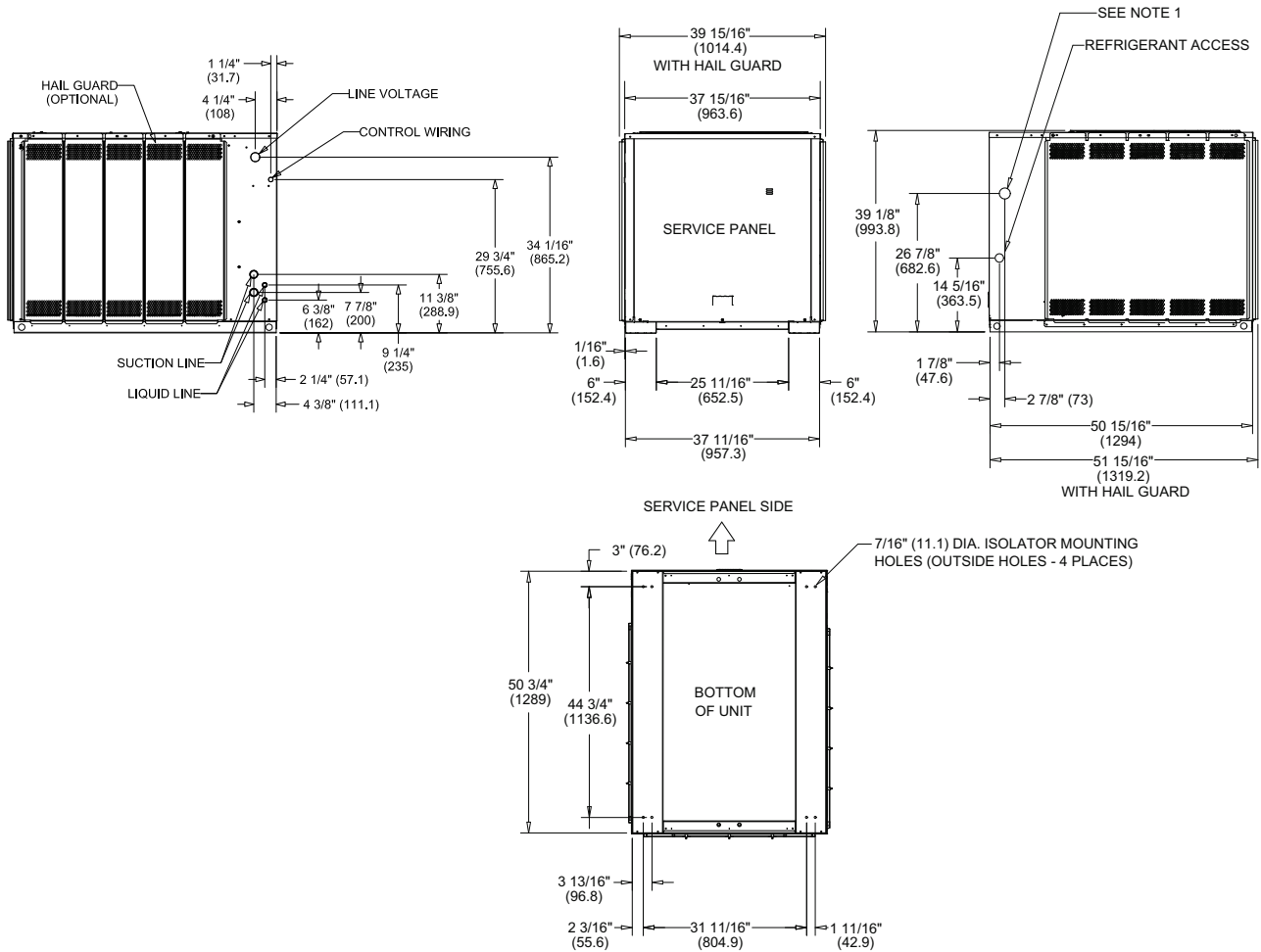
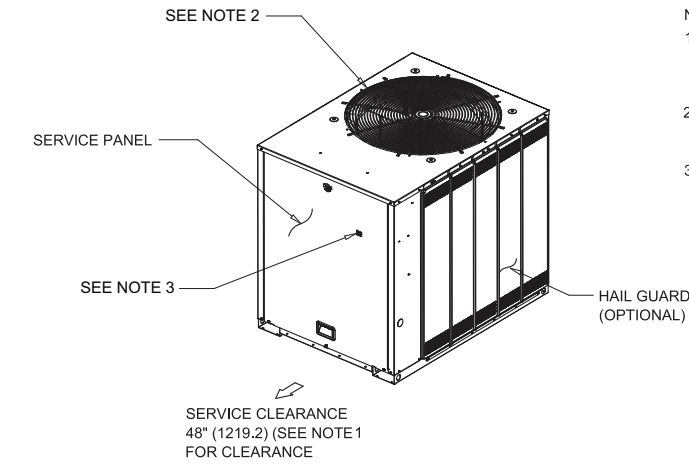
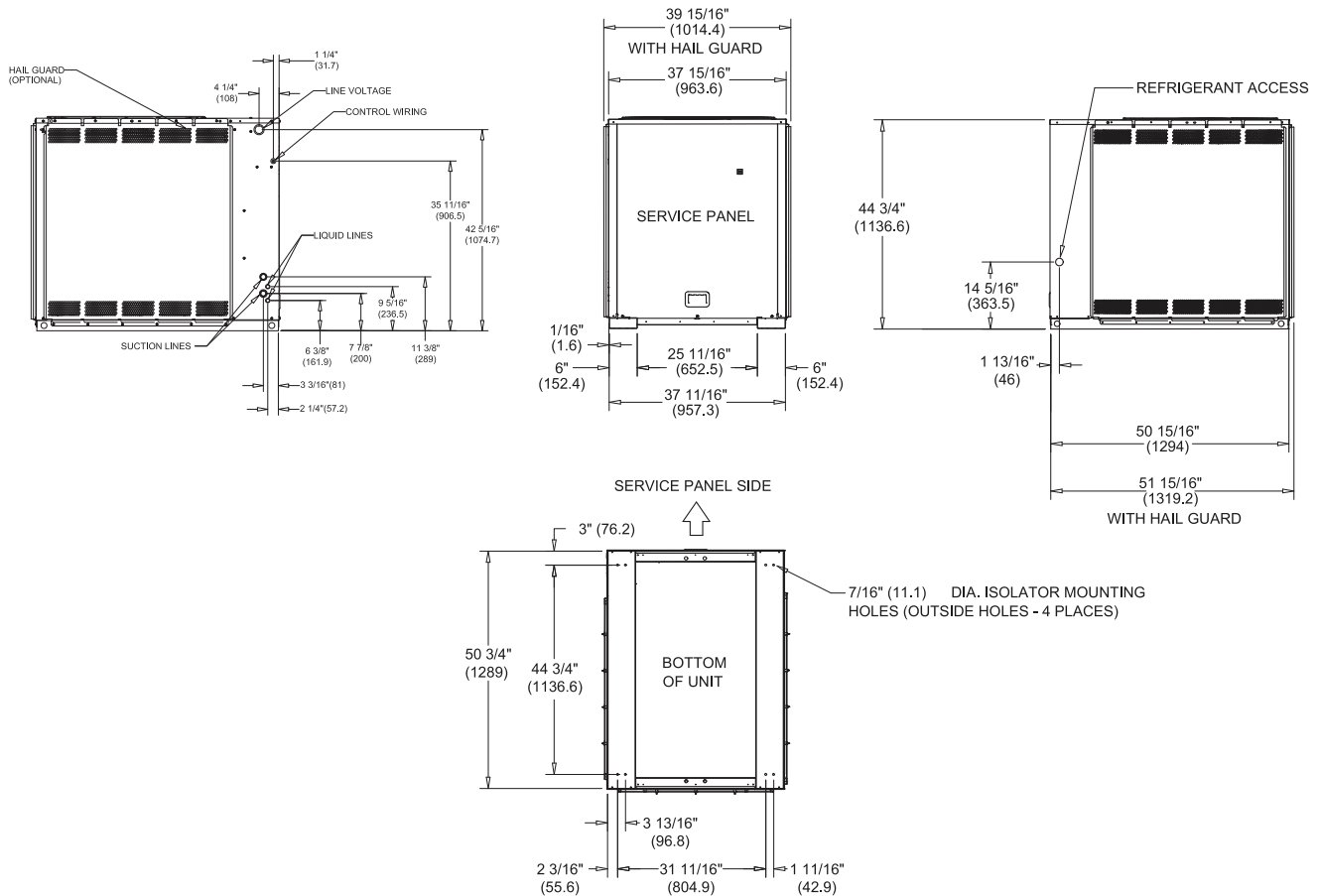


Figure 31. 12.5 ton condensing unit, dual compressor, microchannel



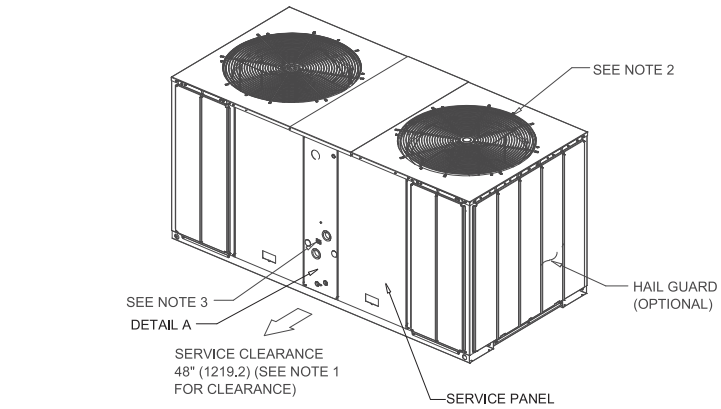
NOTES:

1. MINIMUM CLEARANCE FOR PROPER OPERATION IS 36" (914.4) FROM WALLS, SHRUBBERY, PRIVACY FENCES ETC. MINIMUM CLEARANCE BETWEEN ADJACENT UNITS IS 72" (1828.8). RECOMMENDED SERVICE CLEARANCE 48" (1219.2)
2. TOP DISCHARGE AREA SHOULD BE UNRESTRICTED FOR 100' (2540) MINIMUM. UNIT SHOULD BE PLACED SO ROOF RUN-OFF WATER DOES NOT POUR DIRECTLY ON UNIT
3. OUTDOOR AIR TEMPERATURE SENSOR OPENING (DO NOT BLOCK OPENING).

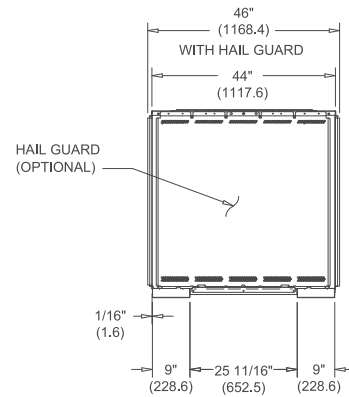
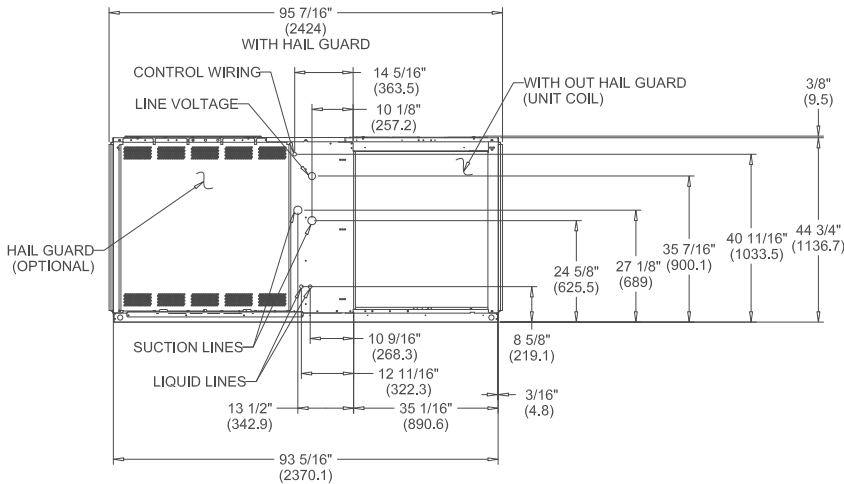


**Dimensional Data**

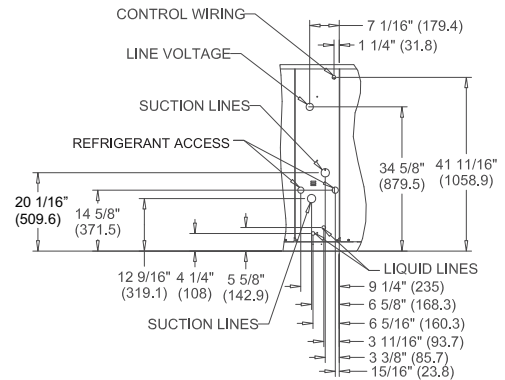
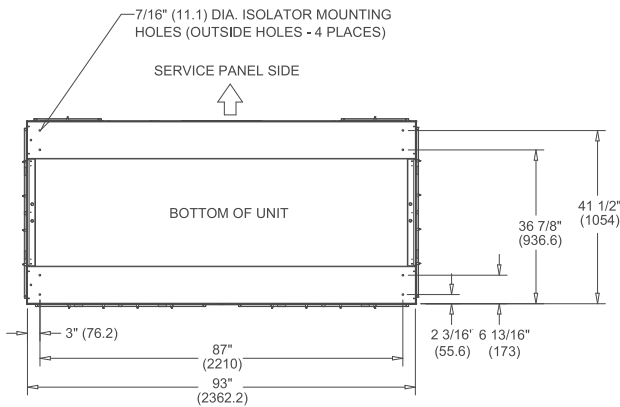
**Figure 32. 15-20 ton condensing unit, dual compressor, microchannel**



- NOTES:
1. MINIMUM CLEARANCE FOR PROPER OPERATION IS 36" (914.4) FROM WALLS, SHRUBBERY, PRIVACY FENCES ETC. MINIMUM CLEARANCE BETWEEN ADJACENT UNITS IS 72" (1828.8). RECOMMENDED SERVICE CLEARANCE 48" (1219.2)
  2. TOP DISCHARGE AREA SHOULD BE UNRESTRICTED FOR 100" (2540) MINIMUM. UNIT SHOULD BE PLACED SO ROOF RUN-OFF WATER DOES NOT POUR DIRECTLY ON UNIT
  3. OUTDOOR AIR TEMPERATURE SENSOR OPENING (DO NOT BLOCK OPENING)



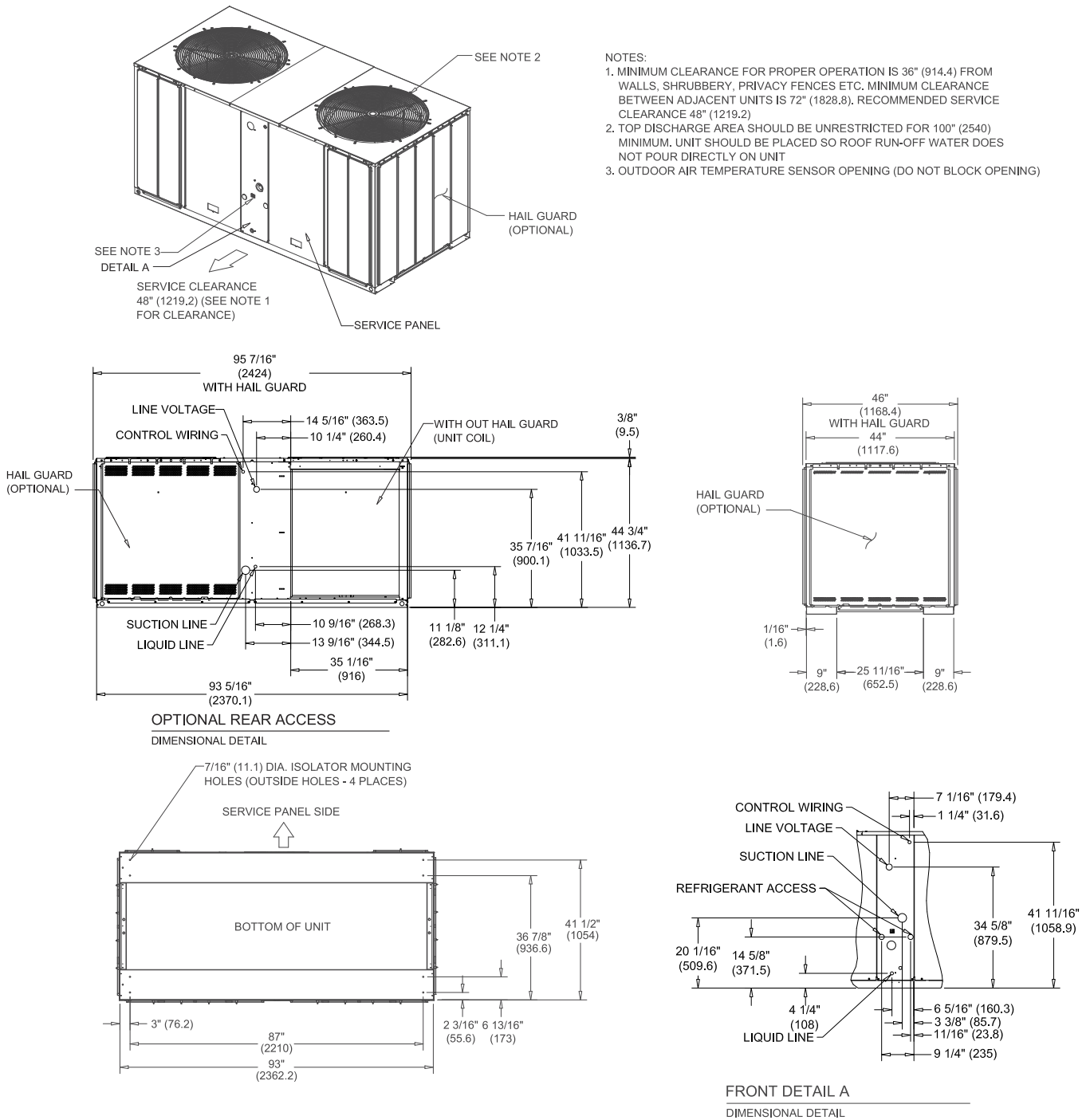
**OPTIONAL REAR ACCESS  
DIMENSIONAL DETAIL**



**FRONT DETAIL A  
DIMENSIONAL DETAIL**

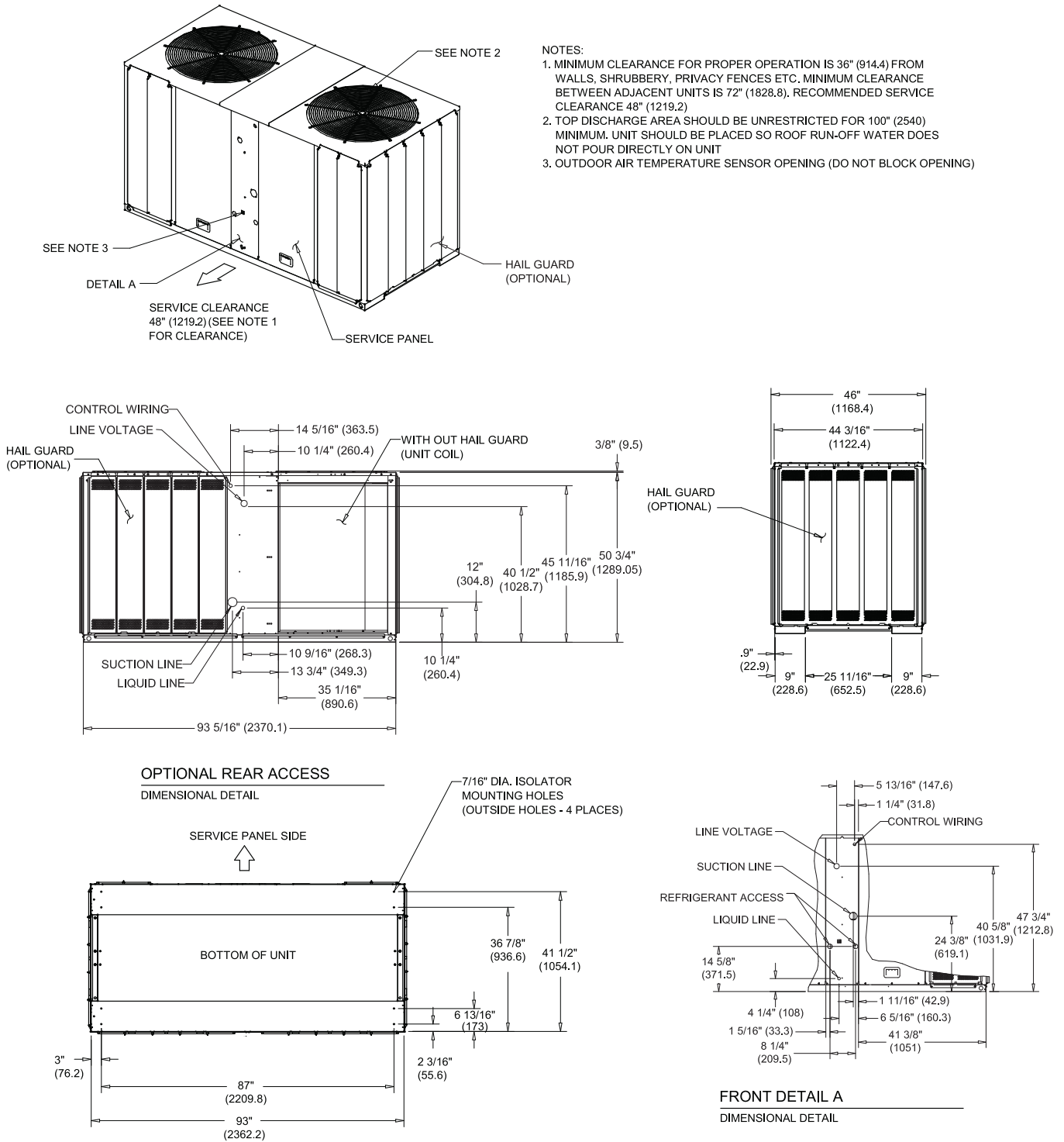


Figure 33. 15-20 condensing unit, manifolded compressor, microchannel



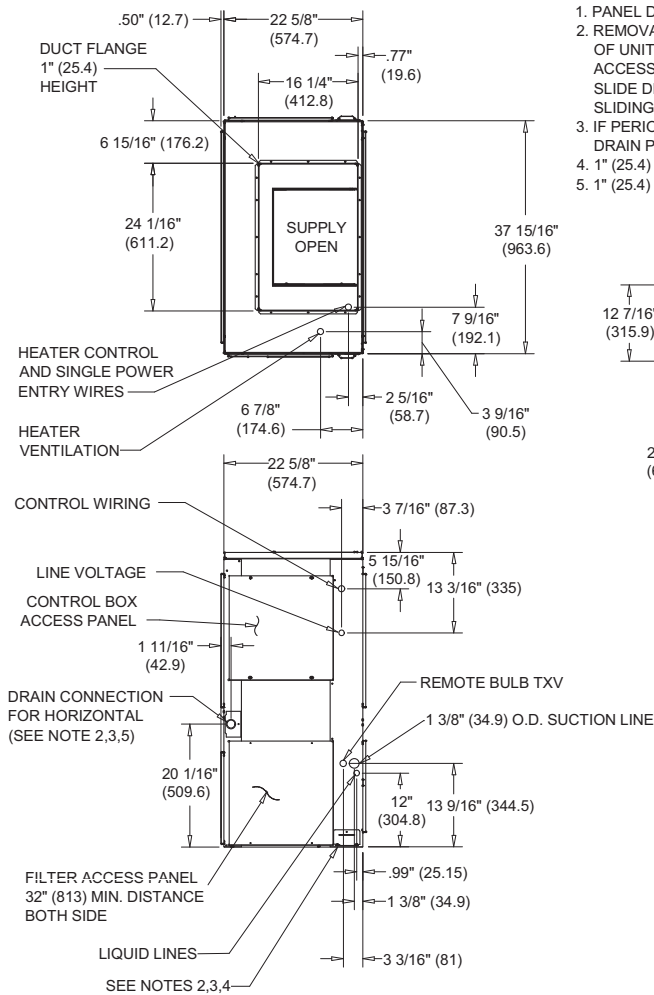
**Dimensional Data**

**Figure 34. 25 ton condensing unit, manifolded compressor, microchannel**



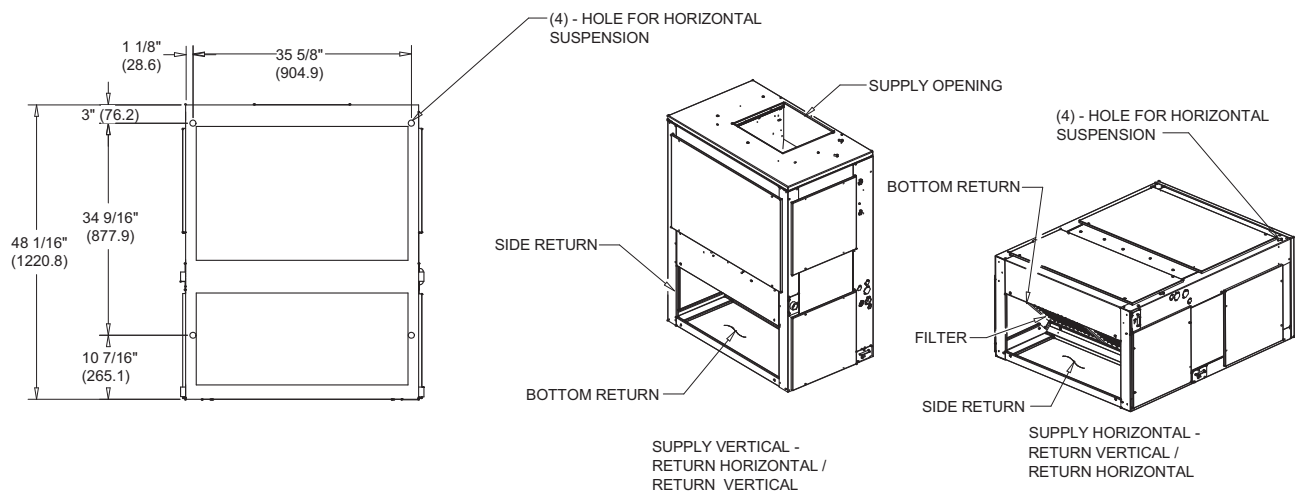
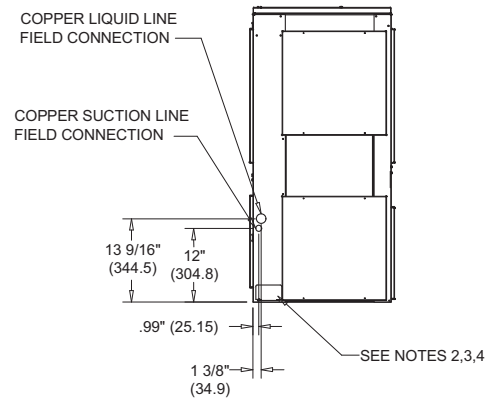
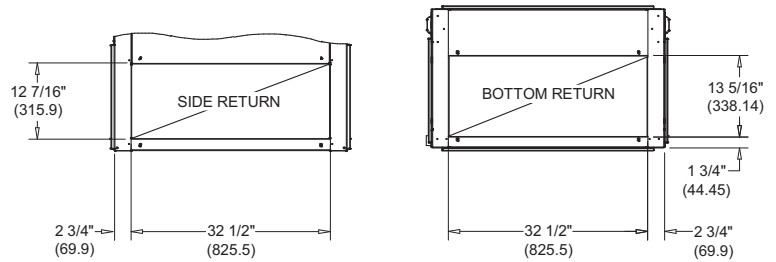
# Air Handler

Figure 35. 5 ton air handler, single circuit



NOTES:

1. PANEL DEPTH 1/2" (12.7) (TYP. ALL PANELS).
2. REMOVABLE DRAIN PAN AND ATTACHED DRAIN CONNECTION MAY BE INSTALLED ON END OF UNIT IN EITHER THE VERTICAL OR HORIZONTAL CONFIGURATION, PLASTIC DRAIN PAN ACCESS PLATE ON THE END OF UNIT OPPOSITE DRAIN CONNECTION MUST BE REMOVED TO SLIDE DRAIN PAN OUT OF UNIT FOR CLEANING. ACCESS PLATE MUST BE RE-INSTALLED AFTER SLIDING DRAIN PAN BACK INTO UNIT.
3. IF PERIODIC DRAIN PAN CLEANING IS REQUIRED, ALLOW ROOM FOR PARTIAL REMOVAL OF DRAIN PAN CONNECTION AT END OF UNIT.
4. 1" (25.4) FEMALE SCHED. 40 (10.2) PVC PIPE DRAIN CONNECTION VERTICAL CONFIGURATION.
5. 1" (25.4) FEMALE SCHED. 40 (10.2) PVC PIPE DRAIN CONNECTION HORIZONTAL CONFIGURATION.



**Dimensional Data**

**Figure 36. 5 ton air handler, dual circuit**

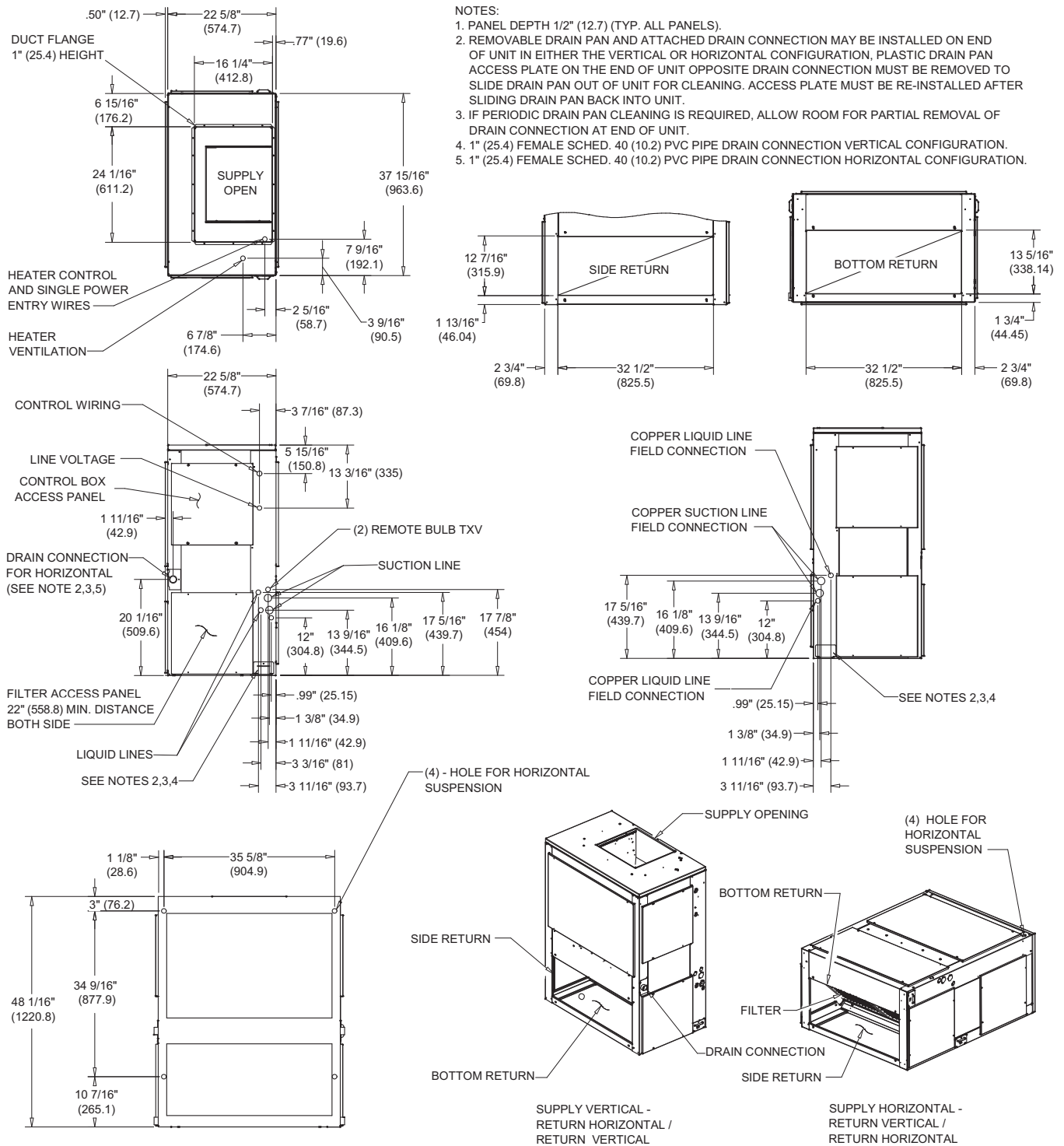
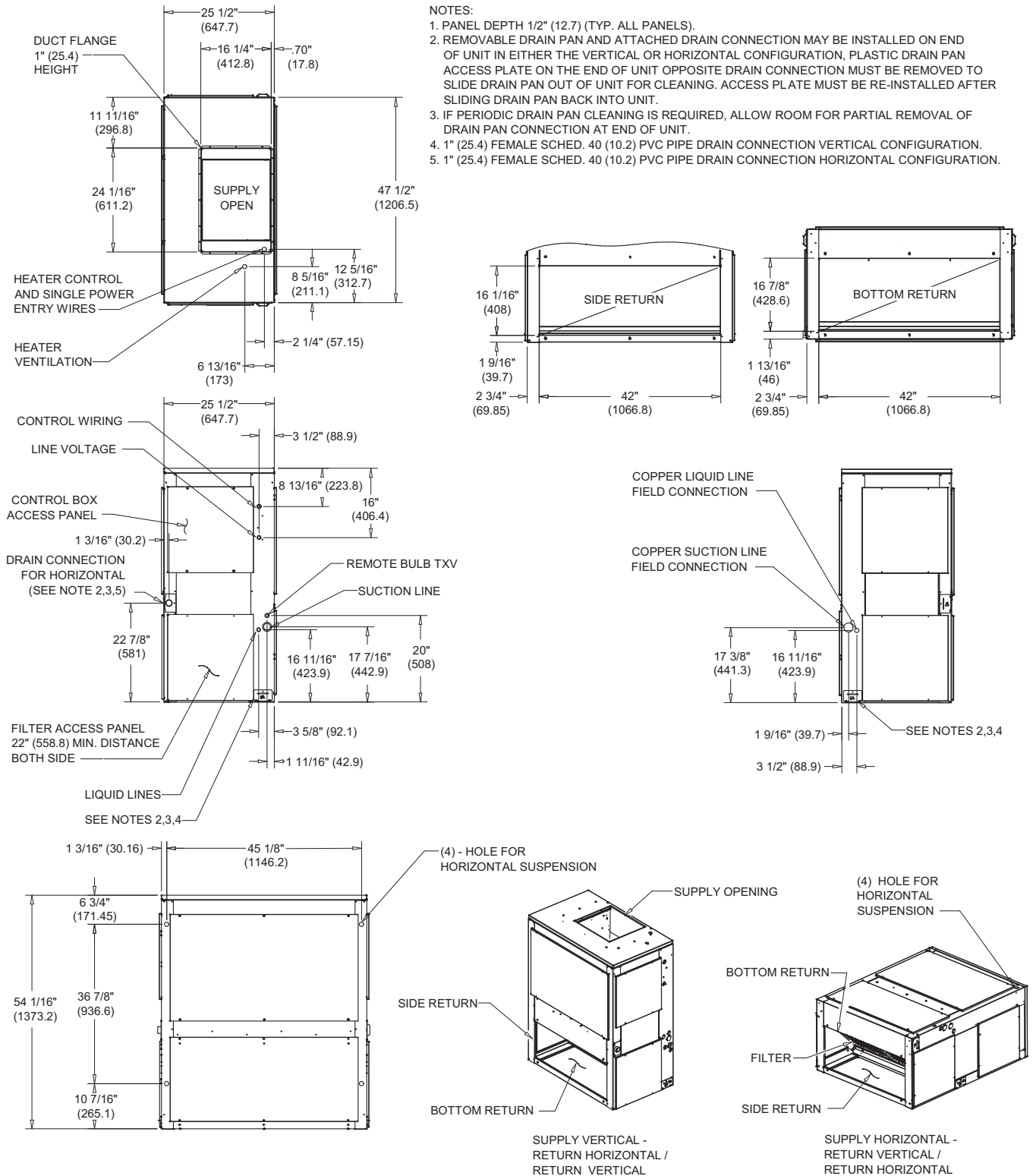


Figure 37. 7.5 ton air handler, single circuit



**Dimensional Data**

**Figure 38. 6–7.5 ton air handler, dual circuit**

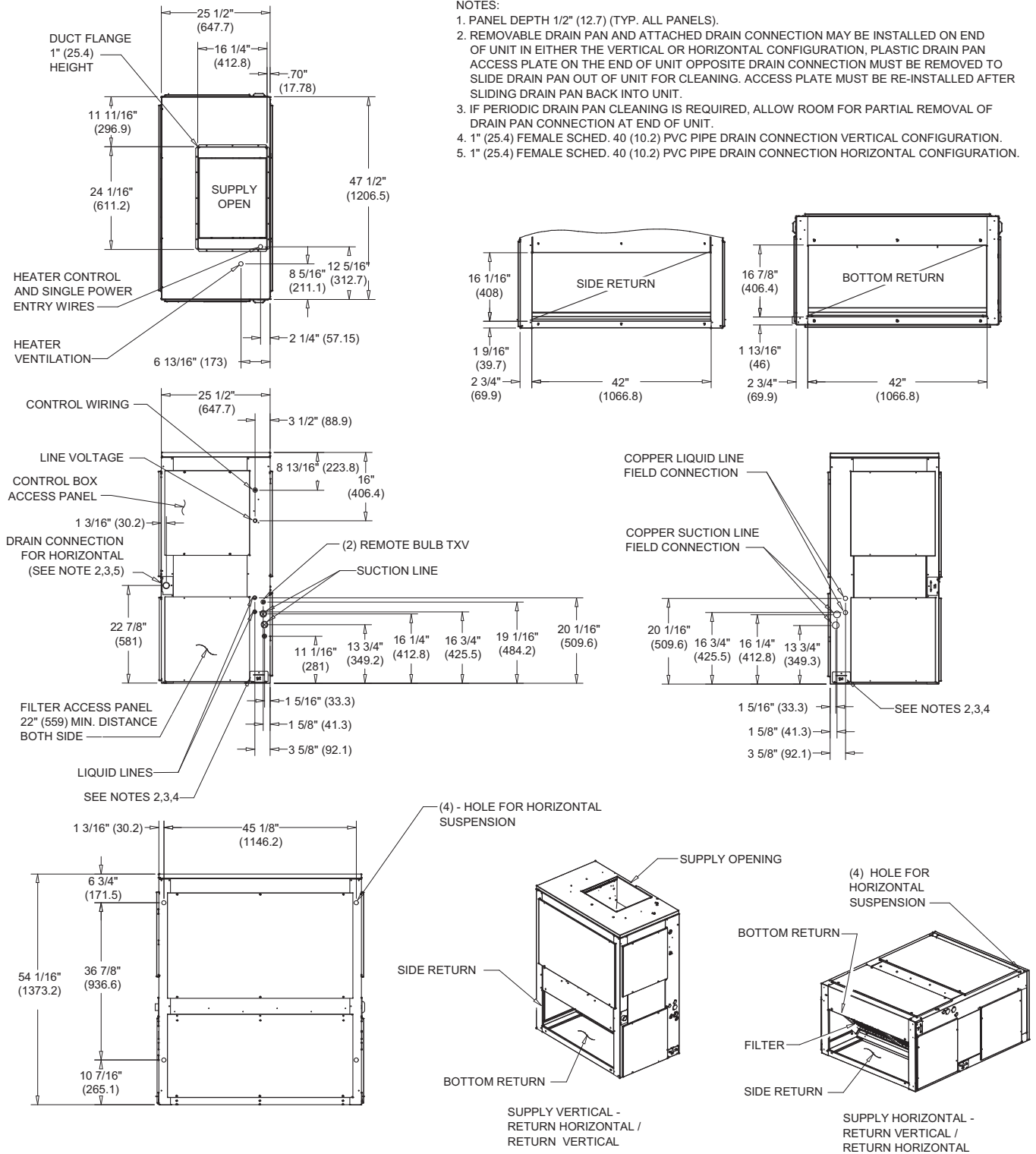
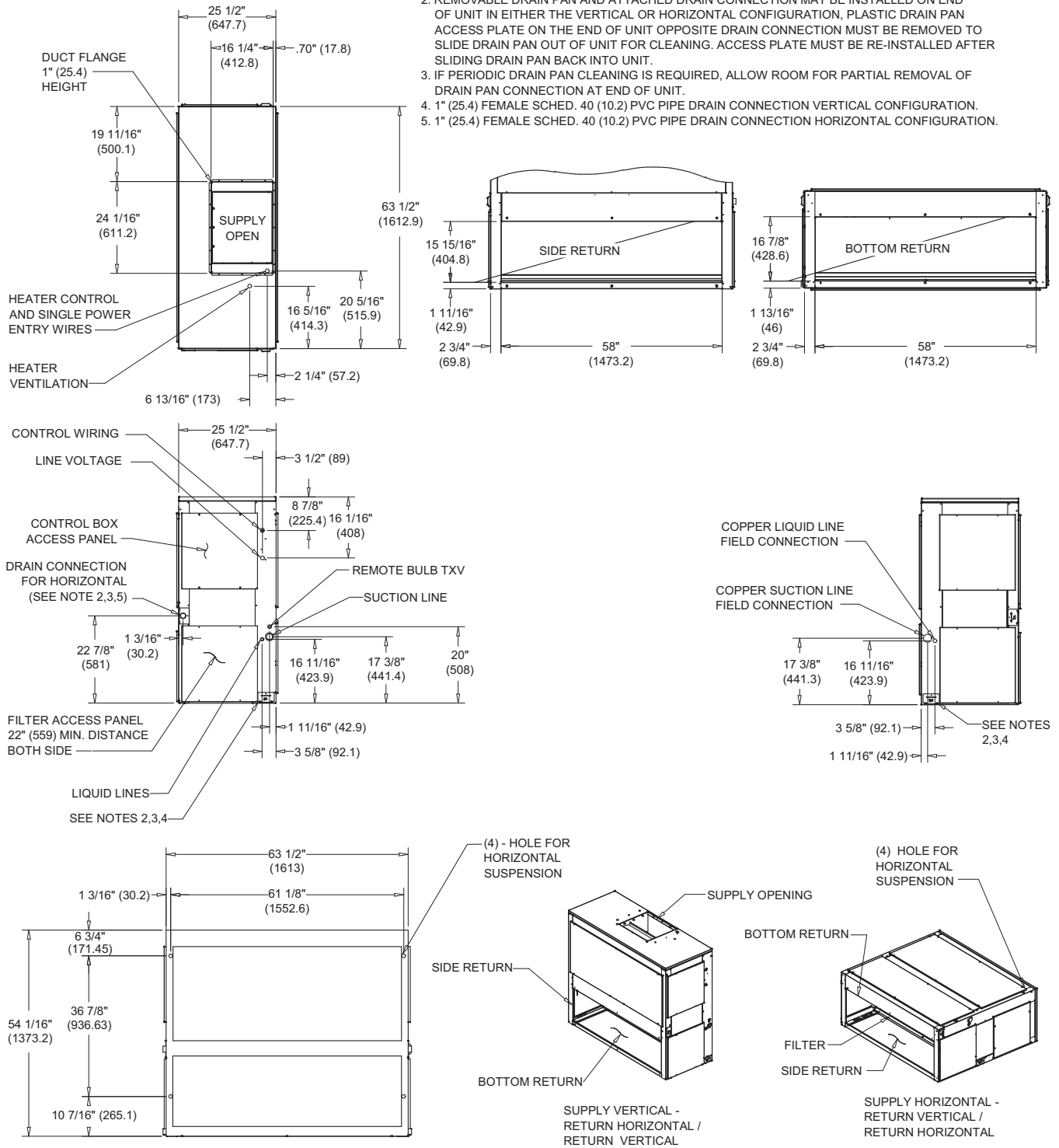


Figure 39. 10 ton air handler, single circuit

NOTES:

1. PANEL DEPTH 1/2" (12.7) (TYP. ALL PANELS).
2. REMOVABLE DRAIN PAN AND ATTACHED DRAIN CONNECTION MAY BE INSTALLED ON END OF UNIT IN EITHER THE VERTICAL OR HORIZONTAL CONFIGURATION, PLASTIC DRAIN PAN ACCESS PLATE ON THE END OF UNIT OPPOSITE DRAIN CONNECTION MUST BE REMOVED TO SLIDE DRAIN PAN OUT OF UNIT FOR CLEANING. ACCESS PLATE MUST BE RE-INSTALLED AFTER SLIDING DRAIN PAN BACK INTO UNIT.
3. IF PERIODIC DRAIN PAN CLEANING IS REQUIRED, ALLOW ROOM FOR PARTIAL REMOVAL OF DRAIN PAN CONNECTION AT END OF UNIT.
4. 1" (25.4) FEMALE SCHED. 40 (10.2) PVC PIPE DRAIN CONNECTION VERTICAL CONFIGURATION.
5. 1" (25.4) FEMALE SCHED. 40 (10.2) PVC PIPE DRAIN CONNECTION HORIZONTAL CONFIGURATION.



## Dimensional Data

**Figure 40. 10 ton air handler, dual circuit**

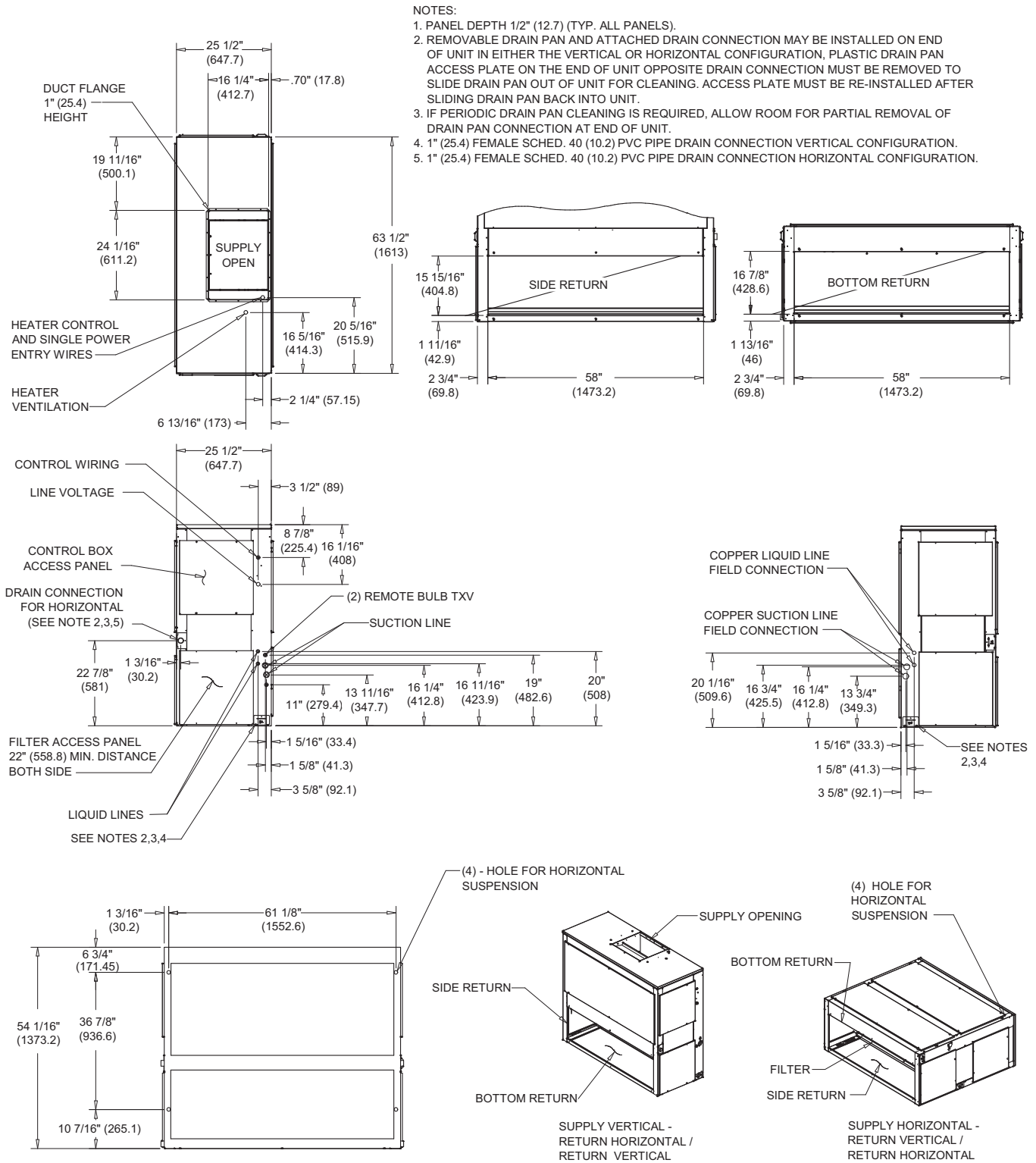
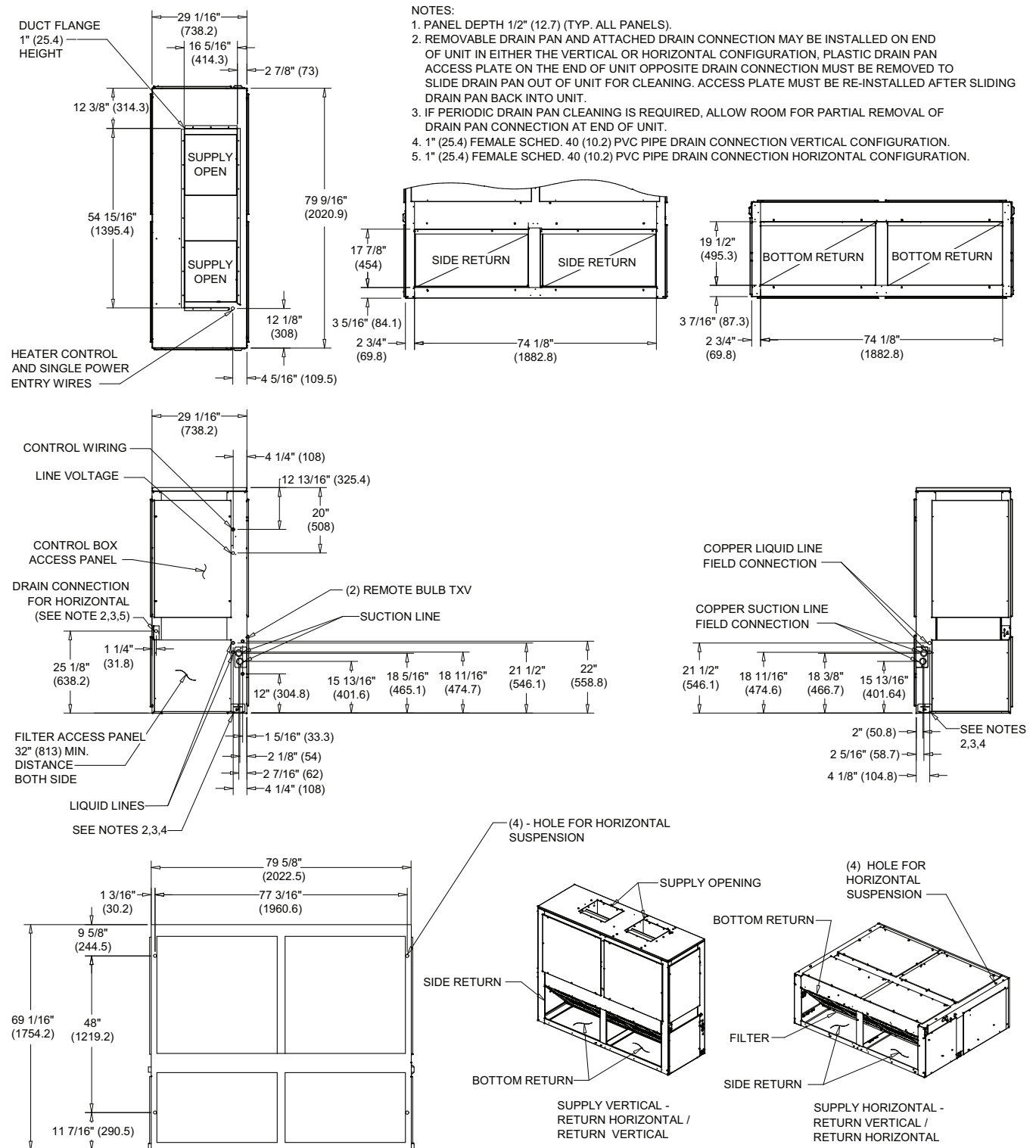


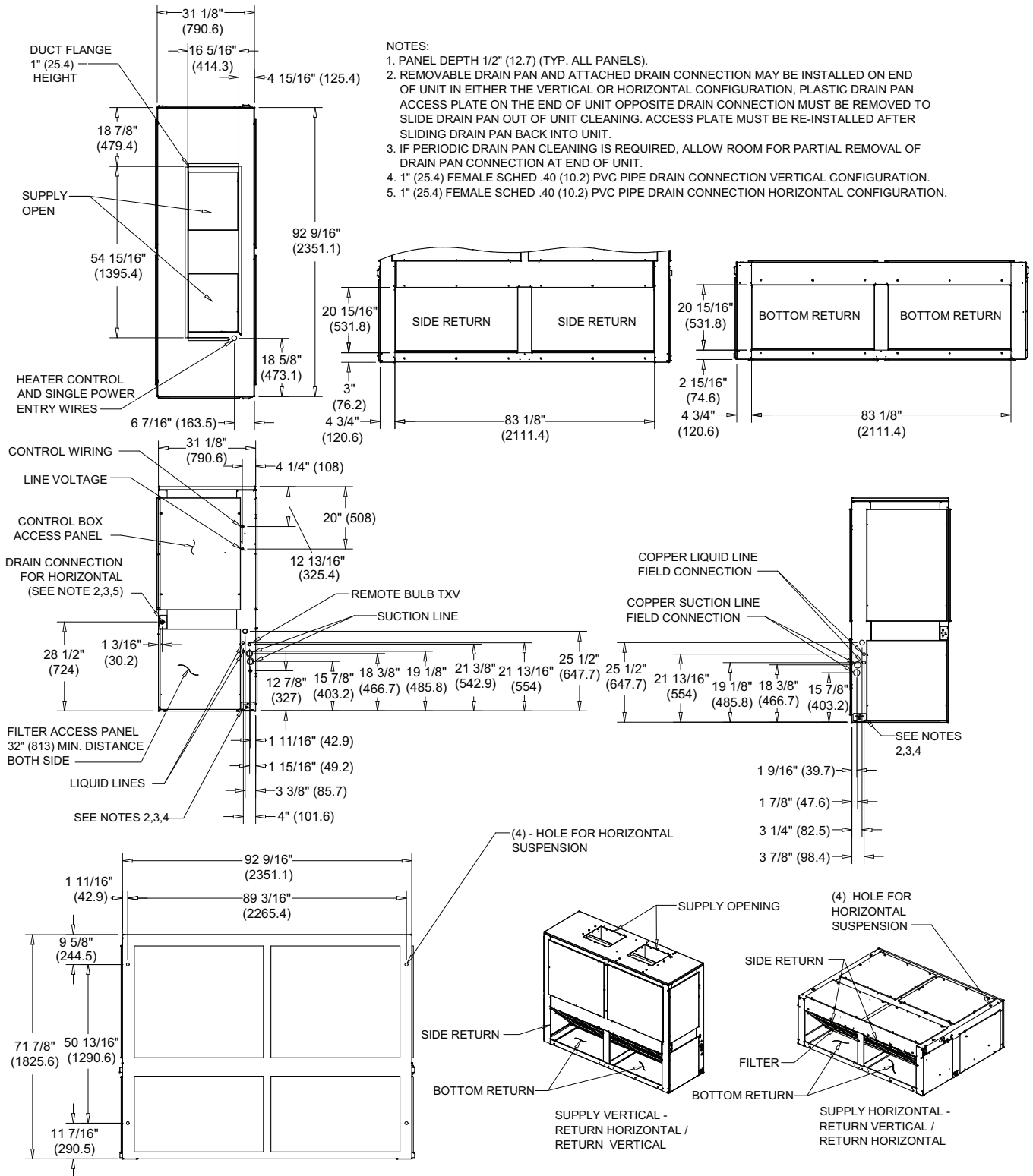


Figure 41. 12.5, 15 ton air handler, dual circuit



**Dimensional Data**

**Figure 42. 20, 25 ton air handler, dual circuit**



## Accessories

Figure 43. Rubber isolator accessory dimensions

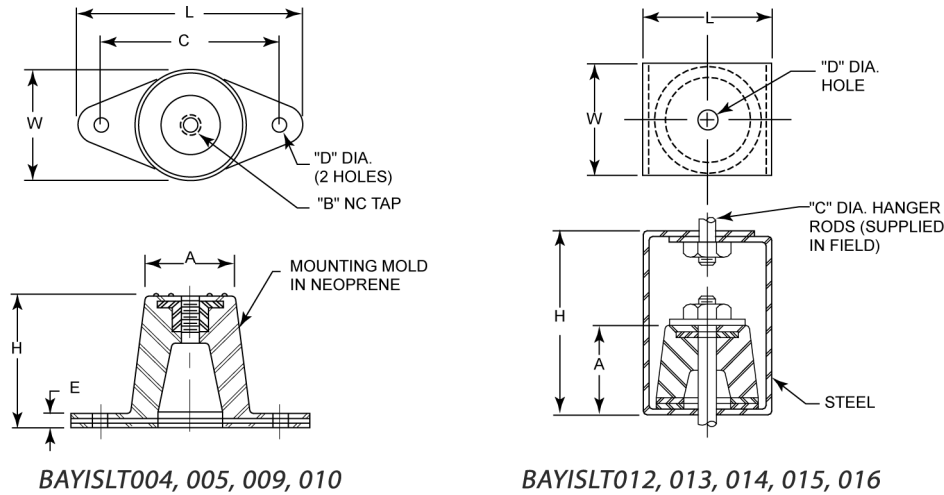


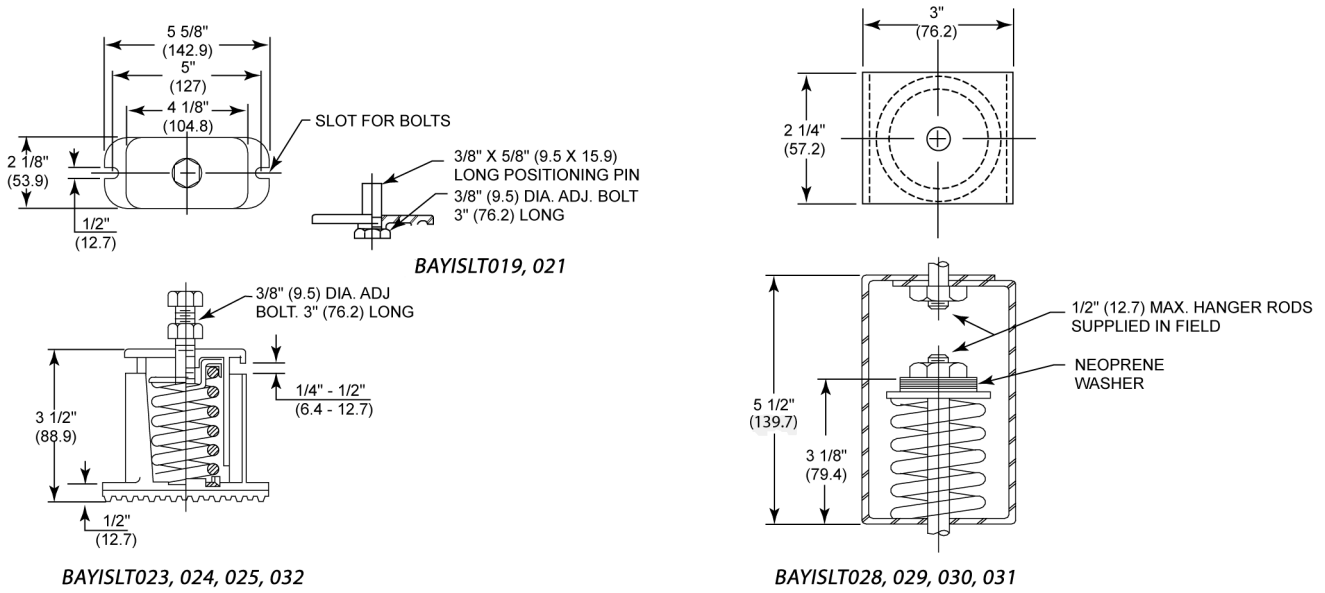
Table 83. Rubber isolator accessory dimensions

Model No.	L	W	H	A	B	C	D	E
BAYISLT004	3-1/8 (79.375)	1-3/4 (44.45)	1-1/4 (31.75)	1-1/4 (31.75)	3/8 (9.525)	2-3/8 (60.325)	3/8 (9.525)	1/4 (6.35)
BAYISLT005	3-7/8 (98.425)	2-3/8 (60.325)	1-3/4 (44.45)	1-3/4 (44.45)	3/8 (9.525)	3 (76.2)	3/8 (9.525)	1/4 (6.35)
BAYISLT009	3-7/8 (98.425)	2-3/8 (60.325)	1-3/4 (44.45)	1-3/4 (44.45)	3/8 (9.525)	3 (76.2)	3/8 (9.525)	1/4 (6.35)
BAYISLT010	3-7/8 (98.425)	2-3/8 (60.325)	1-3/4 (44.45)	1-3/4 (44.45)	3/8 (9.525)	3 (76.2)	3/8 (9.525)	1/4 (6.35)
BAYISLT013	2-1/4 (57.15)	2 (50.8)	3 (76.2)	1-3/8 (34.925)	3/4 (19.05)	3/8 (9.525)	1/2 (12.7)	—
BAYISLT014	2-1/4 (57.15)	2 (50.8)	3 (76.2)	1-3/8 (34.925)	3/4 (19.05)	3/8 (9.525)	1/2 (12.7)	—
BAYISLT015	2-1/4 (57.15)	2 (50.8)	3 (76.2)	1-3/8 (34.925)	3/4 (19.05)	3/8 (9.525)	1/2 (12.7)	—
BAYISLT012	3 (76.2)	2-1/4 (57.15)	4-1/2 (114.3)	1-7/8 (47.625)	1/4 (6.35)	5/8 (15.875)	3/4 (19.05)	—
BAYISLT015 <sup>(a)</sup>	3 (76.2)	2-1/4 (57.15)	4-1/2 (114.3)	1-7/8 (47.625)	1/4 (6.35)	5/8 (15.875)	3/4 (19.05)	—
BAYISLT016	3 (76.2)	2-1/4 (57.15)	4-1/2 (114.3)	1-7/8 (47.625)	1/4 (6.35)	5/8 (15.875)	3/4 (19.05)	—

**Note:** BAYISLT015 contains a quantity 2 of the 2-1/4 x 2 x 3 isolators and quantity of 3 of the 3 x 2-1/4 x 4-1/2 isolators.

**Dimensional Data**

**Figure 44. Spring isolator accessory dimensions – inches (millimeters)**



**Figure 45. Electric heater accessory for 5-10 ton air handlers – inches (millimeters)**

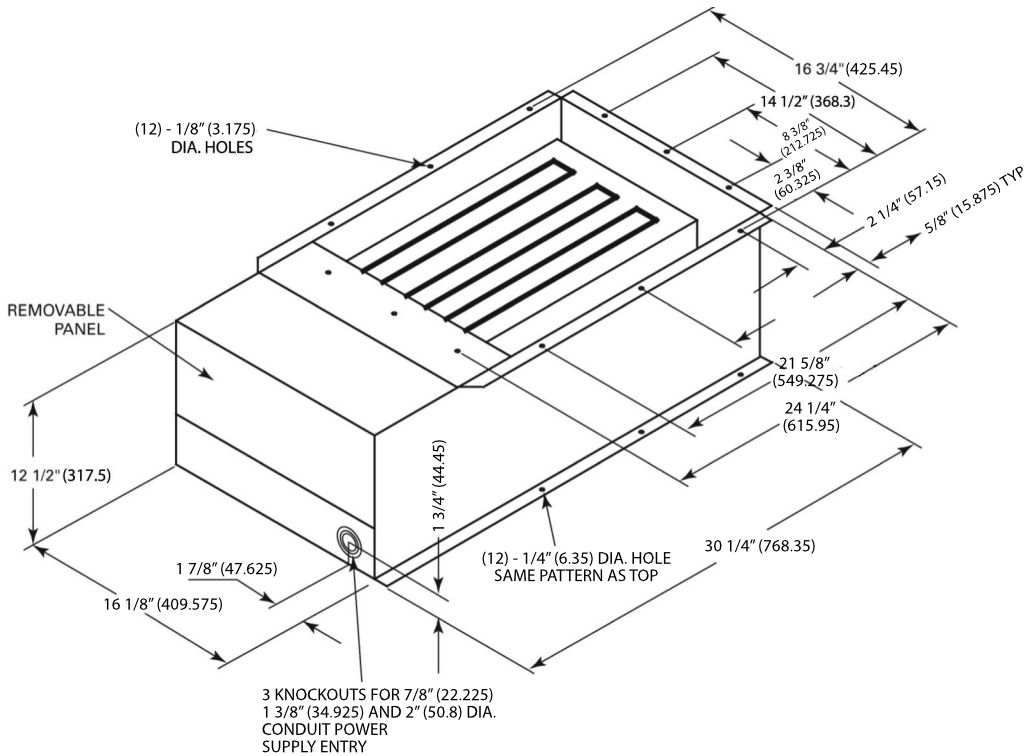
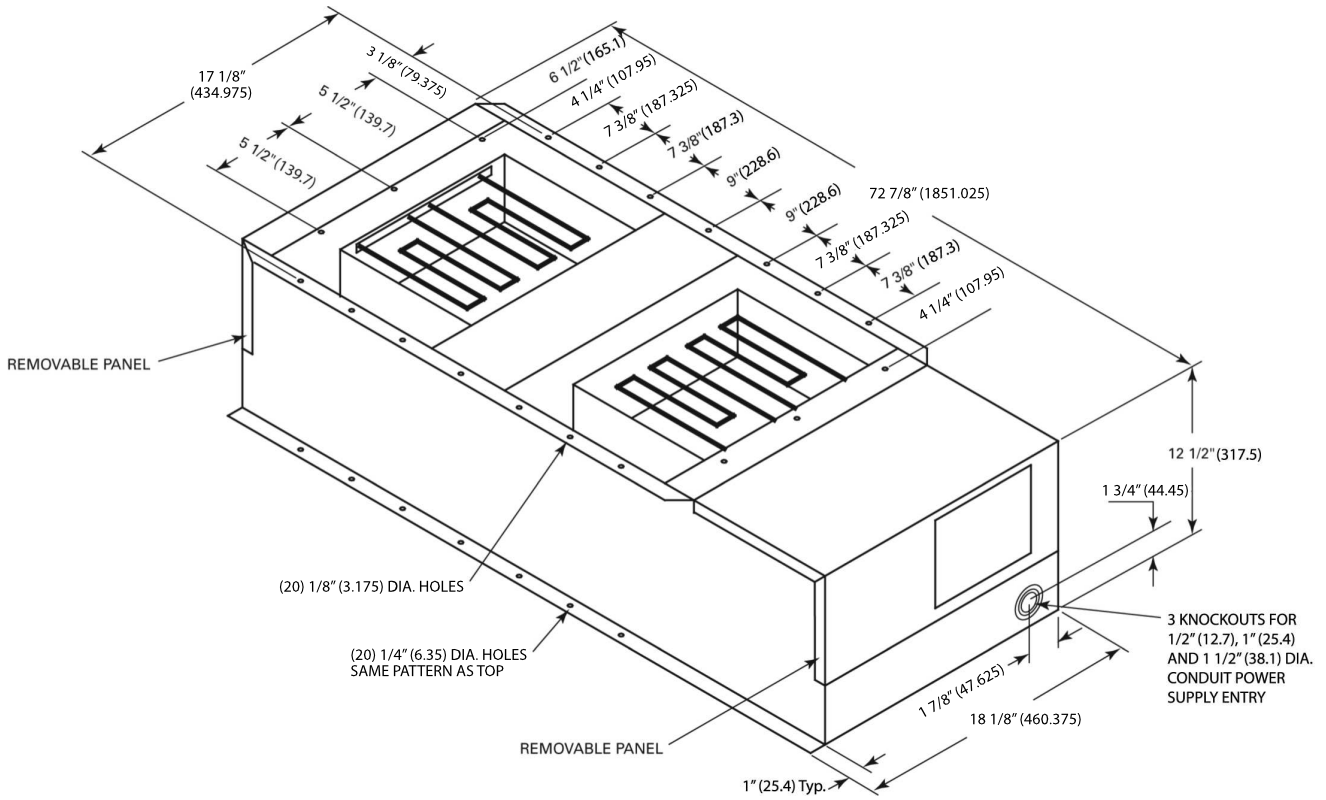


Figure 46. Electric heater accessory for 12.5-25 ton air handlers – inches (millimeters)



Dimensional Data

Figure 47. Hot water coil accessory – inches (millimeters)

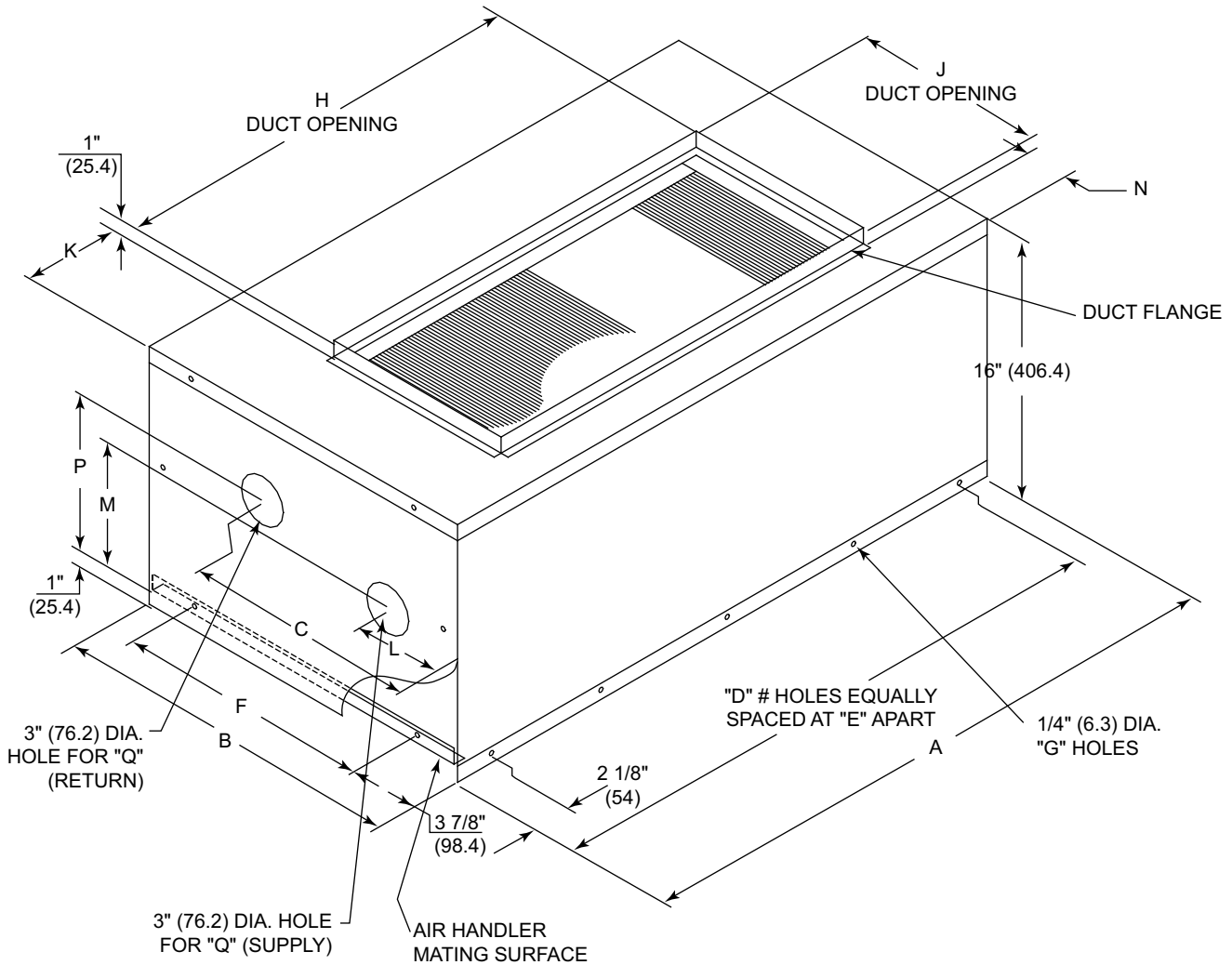


Table 84. Hot water coil accessory – inches (millimeters)

Model No.	A	B	C	D	E	F	G	H
BAYWATR027	38.14 (969)	22.74 (576)	13.74 (349)	5 (127)	9 (229)	13.65 (347)	16 (406)	26 (660)
BAYWATR028	47.74 (1213)	25.74 (654)	15.95 (405)	5 (127)	10.84 (275)	17.17 (436)	16 (406)	30 (762)
BAYWATR029	63.84 (1621)	25.74 (654)	15.95 (405)	6 (152)	11.84 (301)	17.16 (436)	18 (457)	36 (914)
BAYWATR030	79.74 (2025)	29.18 (741)	14.36 (365)	8 (203)	10.85 (276)	19.67 (500)	22 (559)	51 (1295)
BAYWATR031	92.74 (2356)	31.24 (793)	16.48 (419)	8 (203)	10.85 (276)	19.67 (500)	22 (559)	64 (1626)
Model No.	J	K	L	M	N	P	Q	
BAYWATR027	12 (305)	6 (152)	4.94 (125)	7.79 (198)	2.88 (73)	10.24 (260)	2 NPT (51) NPTI	
BAYWATR028	18 (457)	8.88 (225)	8.45 (215)	10.27 (261)	2.88 (73)	7.77 (197)	2.5 NPTI (64) NPTI	
BAYWATR029	18 (457)	13.88 (352)	8.45 (215)	10.03 (255)	2.88 (73)	7.58 (192)	2.5 NPTI (64) NPTI	
BAYWATR030	18 (457)	14.25 (362)	6.86 (174)	9.91 (252)	1.88 (48)	7.41 (188)	2.5 NPTI (64) NPTI	
BAYWATR031	18 (457)	14.25 (362)	8.98 (228)	9.88 (251)	3.75 (95)	7.38 (187)	2.5 NPTI (64) NPTI	

Note: Hot Water Coil Dimensions - inches (millimeters)

Figure 48. Steam coil accessory – inches (millimeters)

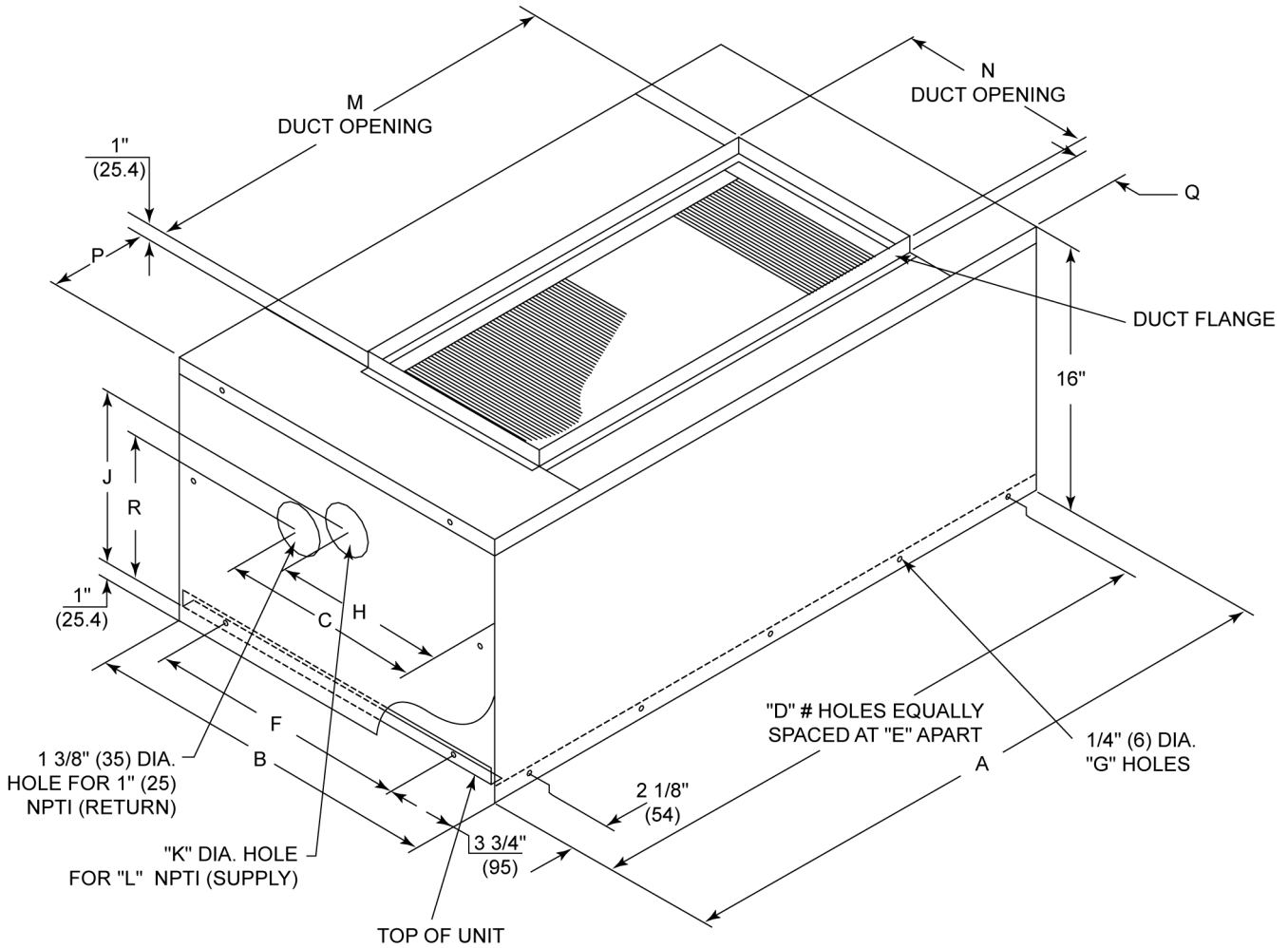
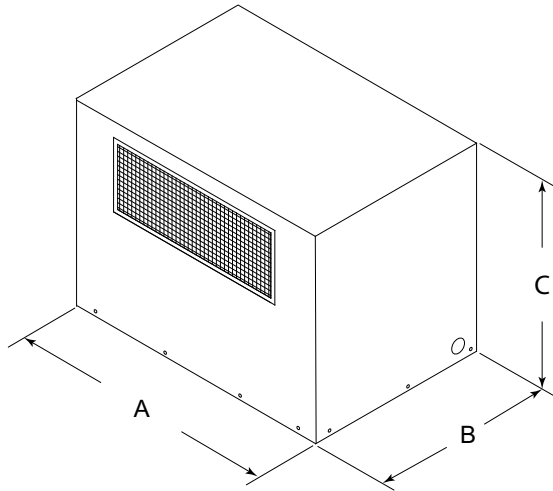


Table 85. Steam coil accessory – inches (millimeters)

Model No.	A	B	C	D	E	F	G	H	J	K
BAYWATR022	38.14 (969)	22.74 (577)	14.32 (364)	5 (127)	9 (229)	13.67 (347)	16 (406)	10.88 (276)	11.17 (284)	2 (51)
BAYWATR023	47.74 (1212)	25.74 (654)	20.14 (511)	5 (127)	10.84 (275)	17.17 (436)	16 (406)	10.88 (276)	11.17 (284)	2 (51)
BAYWATR024	63.84 (1621)	25.74 (654)	20.14 (511)	6 (152)	11.87 (301)	17.16 (436)	18 (457)	13.70 (348)	10.57 (268)	2.5 (64)
BAYWATR025	79.74 (2025)	29.18 (741)	18.55 (471)	8 (203)	10.85 (275)	19.67 (500)	22 (559)	12.11 (308)	10.05 (255)	2.5 (64)
BAYWATR026	92.74 (2355)	31.24 (793)	20.67 (525)	8 (203)	10.85 (275)	19.67 (500)	22 (559)	14.23 (361)	10.01 (254)	2.5 (64)
Model No.	L	M	N	P	Q	R				
BAYWATR022	1.5 (38)	26 (660)	12 (305)	6 (152)	2.87 (73)	9.95 (253)				
BAYWATR023	2 (51)	30 (762)	18 (457)	8.87 (225)	2.87 (73)	9.95 (253)				
BAYWATR024	2 (51)	36 (914)	18 (457)	13.87 (352)	2.87 (73)	9.13 (232)				
BAYWATR025	2 (51)	51 (1295)	18 (457)	14.12 (359)	1.87 (48)	8.61 (219)				
BAYWATR026	2 (51)	64 (1626)	18 (457)	14.12 (359)	3.75 (95)	8.58 (218)				

**Dimensional Data**

**Figure 49. Discharge plenum and grille accessory**



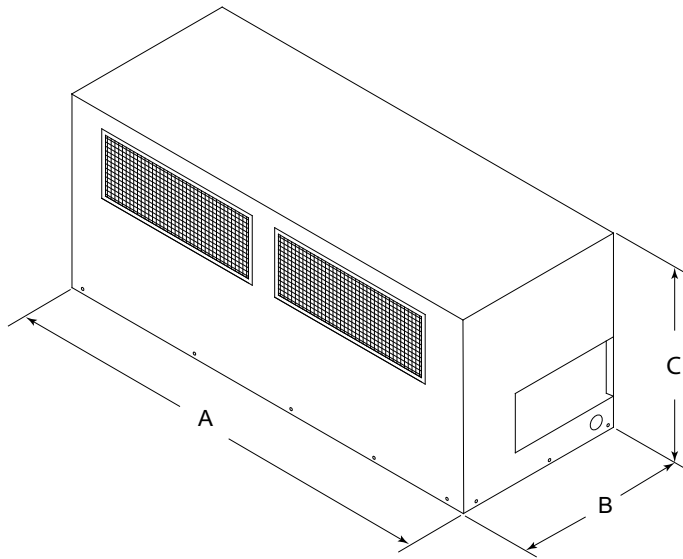
**Table 86. Discharge plenum and grille dimensions – no heat – inches (millimeters)**

Unit	Model No. <sup>(a)</sup>	A	B	C
TWE060	BAYPLNM015	37.94 (963.6)	21.94 (557.2)	28 (711.2)
TWE072, TWE090	BAYPLNM016	47.5 (1206.5)	24.99 (634.7)	28 (711.2)
TWE120	BAYPLNM017	63.5 (1612.9)	24.99 (634.7)	28 (711.2)
TWE150, TWE180	BAYPLNM018 <sup>(b)</sup>	79.5 (2019.3)	27.63 (701.8)	22 (558.8)
TWE240, TWE300	BAYPLNM019 <sup>(b)</sup>	92.5 (2349.5)	30.43 (772.9)	24 (609.6)
TWE060	BAYPLNM020	37.91 (962.9)	21.91 (556.5)	14.75 (374.65)
TWE090	BAYPLNM021	47.5 (1206.5)	24.99 (634.7)	14.75 (374.65)
TWE120	BAYPLNM022	63.5 (1612.9)	24.99 (634.7)	14.75 (374.65)

<sup>(a)</sup> When installed horizontally, plenum/water coil must be self-supported.

<sup>(b)</sup> For use with hydronic heat or no heat.

**Figure 50. Discharge plenum and grille accessory**

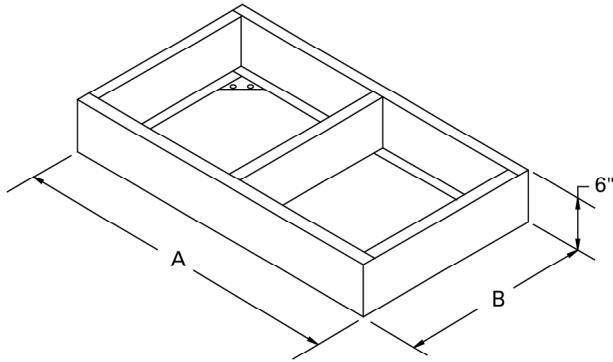




**Table 87. Discharge plenum and grille dimensions – inches (millimeters) – (for use with electric heat)**

Tons	Model No.	A	B	C
TWE060	BAYPLNM030	38.07 (967)	22.69 (576.3)	29.05 (738)
TWE072, TWE090	BAYPLNM031	47.86 (1216)	25.69 (652.5)	29.05 (738)
TWE120	BAYPLNM032	63.86 (1622)	25.69 (652.5)	29.05 (738)
TWE150, TWE180	BAYPLNM033	80.14 (2036)	29.10 (739.1)	35.11 (892)
TWE240, TWE300	BAYPLNM034	92.96 (2361)	31.10 (789.9)	35.05 (890)

**Figure 51. Subbase accessory – inches (millimeters)**



**Table 88. Subbase dimensions – inches (millimeters)**

Tons	Model No.	A	B
TWE060	BAYBASE009	38 (965.2)	22.63 (574.8)
TWE072, TWE090	BAYBASE010	47.5 (1206.5)	25.51 (648.0)
TWE120	BAYBASE011	63.5 (1612.9)	25.52 (648.2)
TWE150, TWE180	BAYBASE012	79.5 (2019.3)	29.04 (737.6)
TWE240, TWE300	BAYBASE013	92.5 (2349.5)	31.14 (791.0)

# Weights

## Cooling Condenser

Table 89. TTA unit and corner weights — lbs (60 Hz)

Tons	Model No.	Shipping Max (lbs)	Net Max (lbs)	Corner Weights			
				1	2	3	4
6	TTA0724*A	324	240	68	72	35	65
	TTA0724*D	344	275	86	82	54	53
7.5	TTA0904*A	342	294	80	96	51	67
	TTA0904*D	380	311	95	91	63	62
10	TTA1204*A	415	339	113	89	60	77
	TTA1204*D	436	379	111	130	72	66
	TTA1204*C	473	416	109	168	87	52
12.5	TTA1504*D	504	447	117	155	76	99
15	TTA1804*D	806	691	135	255	101	200
	TTA1804*C	806	691	135	255	101	200
20	TTA2404*D	872	706	155	240	122	190
	TTA2404*C	879	761	239	217	149	156
25	TTA3004*C	1013	853	286	239	216	111

Figure 52. TTA072, 090, 120, 150

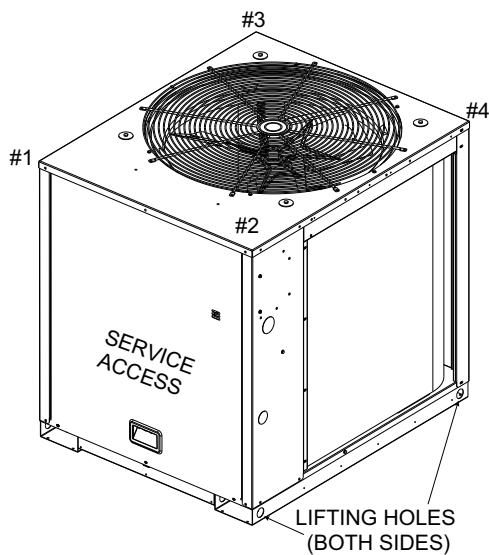
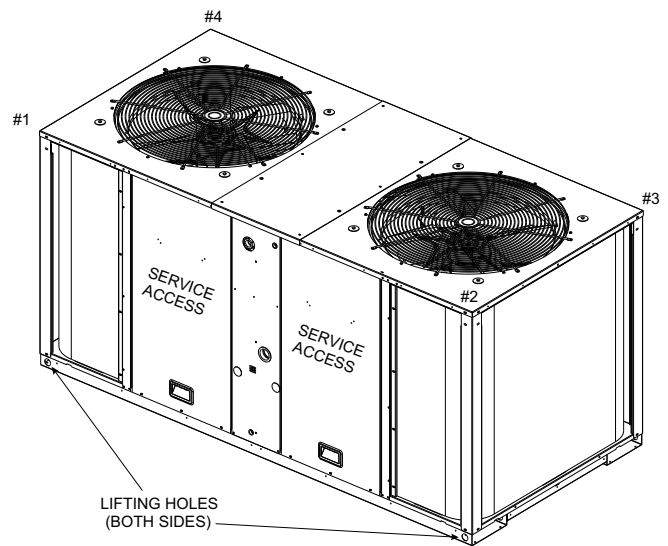


Figure 53. TTA180, 240, 300



## Air Handler

Table 90. Standard air handler (TWE) — unit and corner weights - (60 Hz)

Tons	Model Number	Shipping Max (lbs)	Net Max (lbs)	Corner Weights - Vertical				Corner Weights - Horizontal			
				1	2	3	4	1	2	3	4
5	TWE0604*A/B	285	232	55	71	51	55	54	67	50	61
6	TWE0724*B	385	323	67	99	75	82	56	92	87	88
7.5	TWE0904*A/B	385	323	67	99	75	82	56	92	87	88
10	TWE1204*A/B	441	393	77	121	110	85	79	118	77	119
12.5	TWE1504*B	753	676	168	192	181	135	196	164	145	171
15	TWE1804*B	752	675	167	192	181	135	196	163	145	171
20	TWE2404*B	912	818	258	168	161	231	256	181	146	235
25	TWE3004*B	993	899	211	229	184	275	272	176	228	223

Table 91. SZVAV and 2-Speed VFD air handler (TWE) — unit and corner weights - (60 Hz)

Tons	Model Number	Shipping Max (lbs)	Net Max (lbs)	Corner Weights - Vertical				Corner Weights - Horizontal			
				1	2	3	4	1	2	3	4
6	TWE0724*B	385	323	67	99	75	82	56	92	87	88
7.5	TWE0904*B	385	323	67	99	75	82	56	92	87	88
10	TWE1204*A/B	441	393	77	121	110	85	79	118	77	119
12.5	TWE1504*B	753	676	168	192	181	135	196	164	145	171
15	TWE1804*B	752	675	167	192	181	135	196	163	145	171
20	TWE2404*B	912	818	258	168	161	231	256	181	146	235
25	TWE3004*B	993	899	211	229	184	275	272	176	228	223

Figure 54. Vertical — TWE060, 072, 090, 120

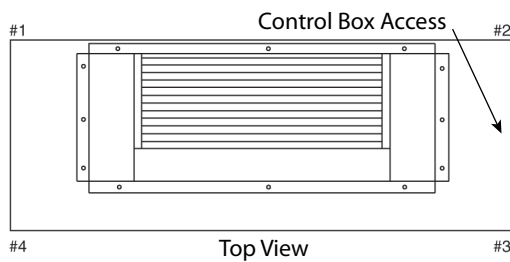
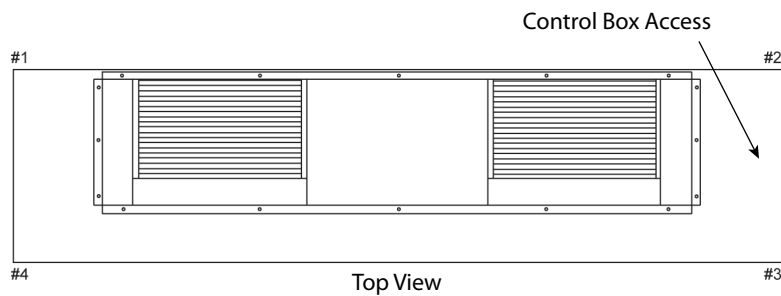


Figure 55. Vertical — TWE150, 180, 240, 300



## Weights

Figure 56. Horizontal — TWE060, 072, 090, 120

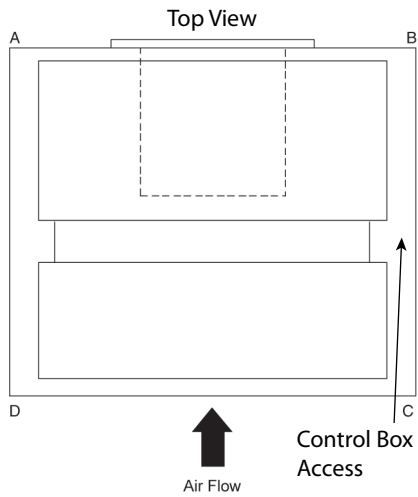
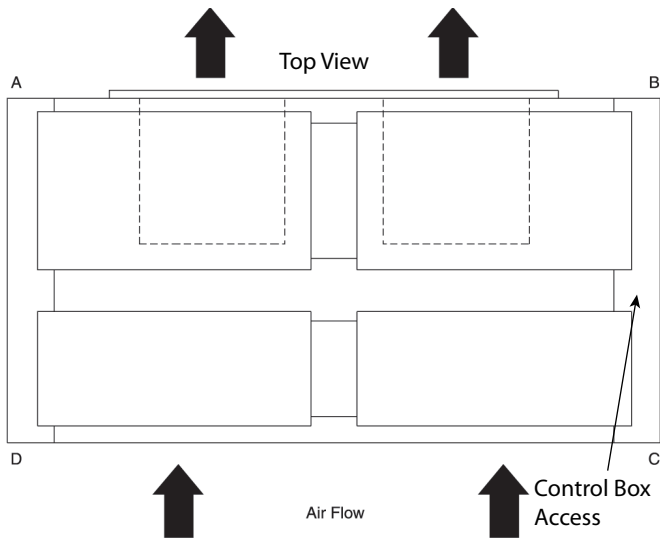


Figure 57. Horizontal — TWE150, 180, 240, 300



## Accessories

Table 92. Accessory weights (net lbs.)

Unit Used w/ Tons	Hot Water Coil	Steam Coil	Discharge Plenum and Grille with Hydronic Heat	Discharge Plenum and Grille without Heat	Discharge Plenum and Grille with Electric Heat	Return Air Grille	Electric Heat Min/Max	Subbase	Oversized Motor	RIS Isolator Floor Mount
6	116	131	78	73	160	5	27/45	19.4	48	2
7.5	116	131	78	73	160	5	27/45	19.4	48	2
10	165	148	97	92	195	7	27/45	23.5	50	2
12.5	211	234	—	230	235	10	79/100	28.4	80	2
15	211	234	—	230	235	10	79/100	28.4	80	2
20	242	261	—	145	265	12	79/100	31.7	88	2
25	242	261	—	145	265	12	79/100	31.7	—	2
Unit Used w/ Tons	RIS Isolator Suspend-mount	Steel Spring Isolator Floor Mount	Steel Spring Isolator Suspend-mount	Hail Guard	Control Transformer	Sensors	Modulating Low Ambient	On/Off Low Ambient	Service Valve	
6	6	12	6	21	4	1	23	2	5	
7.5	6	12	6	21	4	1	23	2	5	
10	7	12	6	28	4	1	23	2	5	
12.5	7	12	6	33	—	1	23	2	5	
15	7	12	6	55	—	1	23 (req. qty 2)	1 (req. qty 2)	5	
20	9	12	6	55	—	1	42 (req. qty 2)	1 (req. qty. 2)	5	
25	9	12	6	71	—	1	42 (req. qty 2)	1 (req. qty. 2)	5	

## Mechanical Specifications

### Condensing Units

#### Standard Options

##### General

- Weatherproofed steel mounting/lifting rails
- Hermetic scroll compressors
- Microchannel condenser coils
- Fans and motors
- Standard operating range 50-125°F (min. 0°F with low ambient accessory)
- Nitrogen holding charge
- Certified and rated in accordance with AHRI and DOE standards
- Certified to UL 1995
- Capacities and efficiencies for split systems are rated within the scope of the Air-Conditioning, Heating, & Refrigeration Institute (AHRI) certification program and display the AHRI Standard 340-360 (I-P) mark. This standard applies to units between 65,000 and 250,000 btu/hr.
- Capacities and efficiencies for split system cooling condensers are rated within the scope of the Air-Conditioning, Heating, & Refrigeration Institute (AHRI) certification program and display the AHRI Standard 365 (I-P) mark. This standard applies to cooling units between 135,000 and 250,000 btu/hr.

##### Casing

- Zinc coated, heavy gauge, galvanized steel
- Weather resistant baked enamel finish
- Meets ASTM B117, 672 hour salt spray test
- Removable single side maintenance access panels
- Lifting handles in maintenance access panels
- Unit base provisions for forklift and/or crane lifting

##### Refrigeration System - Single Compressor (TTA072\*\*A, TTA090\*\*A, TTA120\*\*A)

- Single refrigeration circuit with integral subcooling circuit
- Single direct drive hermetic scroll compressor
- Suction gas-cooled motor w/ ± 10% voltage utilization range of unit nameplate voltage
- Crankcase heater
- Internal temperature and current sensitive motor overloads
- No compressor suction and/or discharge valves (reduced vibration/sound)
- Factory installed liquid line filter drier
- Phase loss/reverse rotation monitor
- Liquid line service valve (with gauge port)
- Suction line service valve (with gauge port)
- External high pressure cutout device
- External low pressure cutout device
- Evaporator defrost control
- Loss of charge protection (discharge temperature limit)

##### Refrigeration System - Dual Compressor (TTA072\*\*D, TTA090\*\*D, TTA120\*\*D, TTA150\*\*D, TTA180\*\*D, TTA240\*\*D)

- Two (2) separate and independent refrigerant circuits
- Each refrigeration circuit equipped with integral subcooling circuit
- Front or rear refrigerant line connections (TTA180\*\*D/240\*\*D)
- Two (2) direct drive hermetic scroll compressor
- Suction gas-cooled motors w/ ± 10% voltage utilization range of unit nameplate voltage

- Crankcase Heaters
- Internal temperature and current sensitive motor overloads
- Factory installed liquid line filter driers
- Phase loss/reverse rotation monitor
- No compressor suction and/or discharge valves (reduced vibration/sound)
- External high pressure cutout devices
- External low pressure cutout devices
- Evaporator defrost control
- Loss of charge protection (discharge temperature limit)

**Refrigeration System - Dual Manifolder Compressors (TTA120\*\*C, TTA180\*\*C, TTA240\*\*C, TTA300\*\*C)**

- Single refrigerant circuit with integral subcooling circuit
- Two (2) direct drive hermetic scroll compressor
- Suction gas-cooled motors w/  $\pm 10\%$  voltage utilization range of unit nameplate voltage
- Crankcase Heaters
- Internal temperature and current sensitive motor overloads
- No compressor suction and/or discharge valves (reduced vibration/sound)
- Factory installed liquid line filter drier
- Phase loss/reverse rotation monitor
- External high pressure cutout devices
- External low pressure cutout devices
- Evaporator defrost control
- Loss of charge protection (discharge line thermostats)
- Front or rear refrigerant line connections (TTA 180\*\*C/240\*\*C/300\*\*C only)

**Condenser Coil (Microchannel)**

- Microchannel coils burst tested by the manufacturer
- Coils shall be leak tested to ensure the pressure integrity
- Factory pressure and leak tested to 660 psig
- Perforated steel hail guards available (factory installed option or field installed accessory)

**Condenser Fan**

- 26" or 28" propeller fan(s)
- Direct drive
- Statically and dynamically balanced

**Condenser Motor(s)**

- Permanently lubricated totally enclosed or open construction
- Built-in current and thermal overloads
- Ball or sleeve bearing type

**Controls**

- Choice of electromechanical or microprocessor
- Completely internally wired
- Numbered and colored wires
- Contactor pressure lugs or terminal block
- Unit external mounting location for disconnect device
- Single point power entry
- Front or rear electrical connections (TTA 180\*\*C/D, 240\*\*C/D, 300\*\*C only)

**Factory Installed Options**

**Hail Guards**

- Condenser coil protection from hail, vandals, etc.
- Perforated, painted galvanized steel

## Mechanical Specifications

---

- Factory or field installed

### **Complete Coat™ Microchannel Condenser Coil**

- Available on Microchannel units only
- Cathodic, epoxy-type, electro-disposition coating formulated for high edge build
- Coating provides excellent resistance and durability to corrosive effects of alkalies, acids, alcohols, petroleum, seawater, salty air and other corrosive environments

### **LonTalk Communication Interface**

- Factory or field installed
- Communications board
- Allows unit communication as a Tracer™ LCI-R device
- Allows unit communication with generic LonTalk® Network building automation controls

### **Controls: Electro-Mechanical**

- 24V control circuit
- Control transformer
- Thermostat compatible
- Anti-Short Cycle Timer

### **Controls: Microprocessor**

- Centralized processor
- Indoor and outdoor temperature sensors drive algorithms, making decisions for all heating, cooling, and ventilation
- Integrated anti-short cycle timer
- Integrated time delay between compressors

## Field Installed Options

### **Low Ambient (Fan ON/OFF)**

- Provides unit cooling operation to outdoor ambient of 0°F
- Low cost solution
- Liquid line temperature controls condenser fan operation
- 1 kit per condenser fan required

### **Low Ambient (Modulating)**

- Provides unit cooling operation to outdoor ambient of 0°F
- “Wave-chopper”
- Discharge line pressure controls condenser fan operation
- 1 kit per condenser fan required

### **Vibration Isolators**

- Neoprene-in-shear or spring flex choice
- Reduce vibration transmission to building structures, equipment, and adjacent spaces
- Reduce noise transmission to building structures, equipment, and adjacent spaces

### **Hot Gas Bypass**

- Provides capacity modulation solution

### **Zone Sensor**

- Interfaces with microprocessor units
- Manual or automatic programmable
- System malfunction lights
- Remote sensor options
- Wireless option



### **Thermostat**

- 1H/1C available
- 2H/1C available
- Manual or automatic changeover available
- Programmable and non-programmable solutions available

### **LonTalk Communication Interface**

- Factory or field installed
- Communications board
- Allows unit communication as a Tracer™ LCI-R device
- Allows unit communication with generic LonTalk® Network building automation controls

### **BACnet Communication Interface**

- Communicates directly with a generic open protocol BACnet MS/TP Network building automation system control

## **Air Handlers**

### **Standard Options**

#### **General**

- Completely factory assembled
- Convertible for horizontal or vertical configuration
- Convertible for cooling only or heat pump application
- Convertible for left or right external connections (refrigerant and/or electrical)
- Convertible for front or bottom air return
- Nitrogen holding charge
- Certified to UL 1995 for indoor blower coil units

#### **Casing**

- Zinc coated, heavy gauge, galvanized steel
- Weather resistant baked enamel finish
- Access panels with captive screws
- Completely insulated with foil faced, cleanable, fire retardant, permanent, odorless glass fiber material
- Captured or sealed insulation edges
- Electrical connection bushings or plugs
- Refrigerant connection bushings or plugs
- Withstand elevated internal static pressure

#### **Refrigeration System**

- Single or dual circuit
- Distributor(s)
- Thermal expansion valves (TXVs)

#### **Evaporator Coil**

- 3/8" internally enhanced copper tube mechanically bonded to lanced aluminum plate fins
- Factory pressure and leak tested to 449 psig.
- Draw-through airflow
- Dual circuits are interlaced/intertwined
- Double sloped, removable, cleanable, composite drain pan
- Four drain pan positions

#### **Indoor Fan**

- Double inlet, double width, forward curved, centrifugal type fan
- Dual fans on 12.5 - 25 ton air handlers

## Mechanical Specifications

---

- Adjustable belt drive
- Permanently lubricated bearings

### Indoor Motor

- Adjustable motor sheaves (standard units)
- Fixed motors sheaves (SZVAV and 2-Speed VFD)
- Thermal overload protection
- Permanently lubricated bearings
- Meet energy policy of 1992 (EPACT)
- Optional oversized motors for high static applications

### Controls

- Completely internally wired
- Numbered and colored wires
- Magnetic indoor fan contactor
- Low voltage terminal strip
- Single point power entry
- Evaporator defrost control

### Filters

- Access from side coil panels
- Filters slide on rack
- One inch (1"), throwaway filters on 5 - 10 ton units
- Filter rack convertible to two inch (2") capability on 5 - 10 ton units
- Two inch (2"), throwaway filters on 12.5 - 25 ton units

## Factory Installed Options

### 2-Speed VFD Control

- Variable Frequency Drive (VFD)
- Motor soft start — avoids start up belt noise and increases belt life
- Programmable keypad accessible outside of airstream
- VFD rated motor
- Factory installed high static motor available

### Single Zone Variable Air Volume

- Variable Frequency Drive (VFD)
- Motor soft start — avoids start up belt noise and increases belt life
- Programmable keypad accessible outside of airstream
- Airflow adjustment via potentiometer
- Discharge air sensor
- ReliaTel options module
- VFD rated motor
- Factory installed high static motor available

## Field Installed Options

### Electric Heaters

- Heavy duty nickel chromium elements
- Agency approved
- Installs directly on fan discharge
- One or two stage control (dependent upon capacity)
- Single point power entry
- Terminal strip connections
- 460V Heaters

- Internally wye connected
- Automatic line break high limit controls
- 230V Heaters
  - Internally delta connected
  - Automatic reset of high limit controls through pilot duty with secondary backup fuse links

### **Hydronic Heat Coils**

- One row steam
- Two row hot water
- Installs directly on fan discharge
- Heavy gauge sheet metal casing matches air handler
- Convertible for horizontal or vertical configurations

### **Discharge Plenums and Grilles**

- Vertical, free discharge applications
- Heavy gauge sheet metal casing matches air handler
- Satin-finished, 4-way adjustable louver grilles

### **Return Air Grilles**

- Vertical, free discharge applications
- Satin-finished, non-adjustable louver grilles
- Replaces front lower access panel

### **Mounting Sub-Base**

- Vertical floor mount configuration requirement
- Heavy gauge sheet metal casing matches air handler
- Provides additional clearance for condensate drain trapping
- Required when isolators are used

### **Vibration Isolators**

- Neoprene-in-shear or spring flex choice
- Floor or suspended applications
- Reduce vibration transmission to building structures, equipment, and adjacent spaces
- Reduce noise transmission to building structures, equipment, and adjacent spaces

### **Oversize Motors**

- High static applications
- Motor, sheaves, belt included



Ingersoll Rand (NYSE: IR) advances the quality of life by creating comfortable, sustainable and efficient environments. Our people and our family of brands — including Club Car®, Ingersoll Rand®, Thermo King® and Trane® — work together to enhance the quality and comfort of air in homes and buildings; transport and protect food and perishables; and increase industrial productivity and efficiency. We are a global business committed to a world of sustainable progress and enduring results.



[ingersollrand.com](http://ingersollrand.com)



The AHRI Certified mark indicates Ingersoll Rand participation in the AHRI Certification program. For verification of individual certified products, go to [www.ahrirectory.org](http://www.ahrirectory.org).

Ingersoll Rand has a policy of continuous product and product data improvements and reserves the right to change design and specifications without notice.

We are committed to using environmentally conscious print practices.