

METERING SPM

PFXM327 SINGLE HANDLE METERING FAUCET



Product Features

- Max. flow rate: 1.2 gpm (4.54 L/min) at 60 psi
- Self-closing metering cartridge
- Solid brass construction
- Vandal-resistant aerator with key
- 0.25 gallon / cycle (adjustable)

Optional Parts

- 4" Deck plate PFXM324DP
- 0.5 GPM aerator OBPFCS4900905

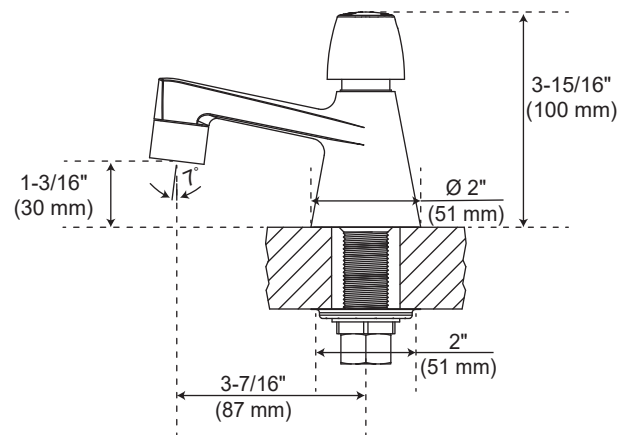
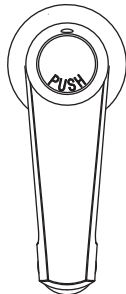
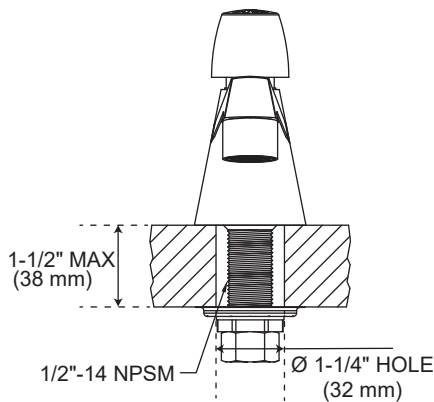


Codes and Certifications

PFXM327



- Certified to ASME A112.18.1 / CSA B125.1
- cUPC/IAPMO listed
- ADA compliant
- NSF/ANSI/CAN 61: Q ≤1



For detailed warranty information, visit ferguson.com/proflo-faucet-warranty.