

INSTALLATION INSTRUCTIONS

Item#715-84/66A/44-L (New. 2022-01-20)

READ AND SAVE THESE INSTRUCTIONS

WARNING! SHUT POWER OFF AT FUSE OR CIRCUIT BREAKER.

AVERTISSEMENT! COUPER LE COURANT AU NIVEAU DES FUSIBLES OU DU DISJONCTEUR. Page: 1/1

READ AND SAVE THESE INSTRUCTIONS

WARNING! SHUT POWER OFF AT FUSE OR CIRCUIT BREAKER.

AVERTISSEMENT! COUPER LE COURANT AU NIVEAU DES FUSIBLES OU DU DISJONCTEUR.

PREPARATION

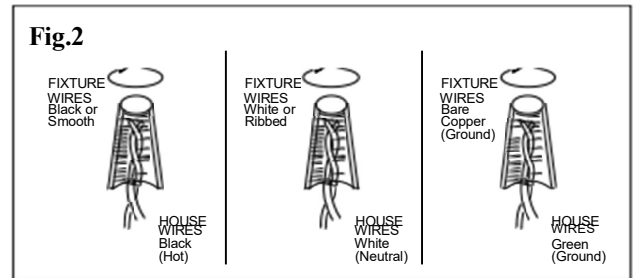
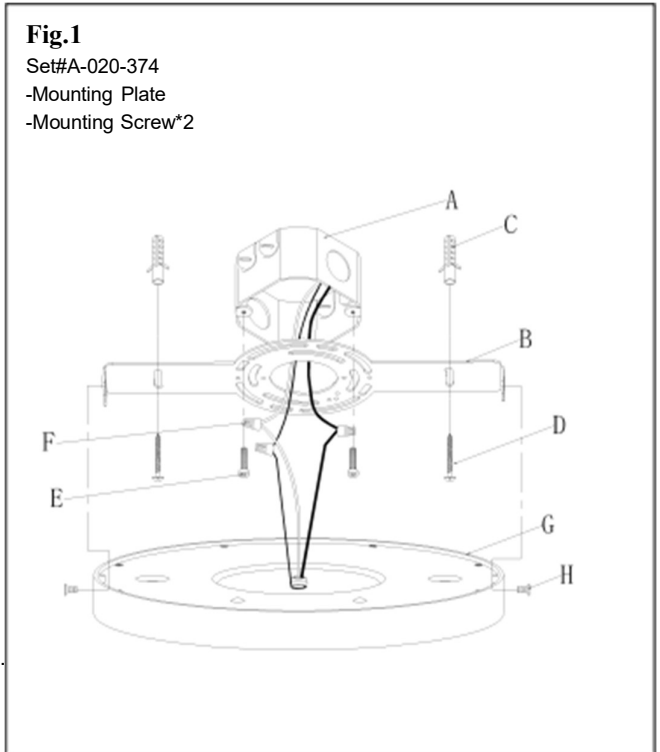
- 1: Shut off power at the fuse box or circuit breaker box and remove the old fixture including the mounting hardware.
- 2: Carefully unpack your new fixture and lay out all the parts in a clean area. Take care not to misplace any small parts necessary for installation.

INSTALLATION & ASSEMBLY (Fig.1 & Fig.2)

- 3: Place the mounting plate (B) over the outlet box (A) (not included) and align the mounting slots of the mounting plate (B) with the mounting holes of the outlet box (A). Mark the location of the keyhole slots of the mounting plate (B) onto the ceiling. Remove the mounting plate (B) from the ceiling.
- 4: Drill a 1/4 in. hole at each keyhole slot marking on the ceiling. Carefully hammer an anchor (C) into each drilled hole. Replace the mounting plate (B) over the outlet box (A) and align each keyhole slot with its respective anchor (C). Feed the anchor screws (D) through the keyhole slots and thread them into the anchor (C) until the mounting plate (B) is flush against the ceiling.
- 5: Feed the mounting screws (E) through the mounting slots of the mounting plate (B) and into the mounting holes of the outlet box (A) until tighten.

CONNECTING THE WIRES(Fig.2)

- 6: Pull the power supply wires out from the outlet box (A). Connect the black supply wire to the black fixture wire using wire nuts (F). Connect the white supply wire to the white fixture wire using wire nuts (F). If your outlet box has a ground wire (green or bare copper), connect the fixture's ground wire to it using wire nuts (F). Otherwise, connect the fixture's ground wire directly to the mounting plate (B) using the green screw provided. Wrap all wire connections with electrical tape for a more secure connection.
- 7: Carefully tuck all the wires and wire connections into the outlet box (A). Thread the fixture mounting screws (H) through the fixture body (G) and into the mounting plate (B) to secure the fixture body (G) until tighten.



Your installation is now complete. Return power and test the fixture.

Care and maintenance

Use a clean, soft cloth to wipe the surface of the fixture.

DO NOT use any cleaners with chemicals, solvents or harsh abrasives

Dimmable with ELV and/or LED compatible wall dimmer switches.

IMPORTANT: FIXTURE SHOULD BE INSTALLED BY A QUALIFIED ELECTRICIAN TO ENSURE PROPER WIRING AND INSTALLATION.

715-84/66A/44-L