

# Product Data

## TABLE OF CONTENTS



### INDUSTRY LEADING FEATURES / BENEFITS

#### Energy Efficiency

- 14.7 - 18 SEER2 / 8.2 - 12.4 EER2 / 8.2 - 9.8 HSPF2

#### Sound

- Levels as low as 54 dBA

#### Design Features

- Small Footprint
- Integrated 24V and RS-485 communications

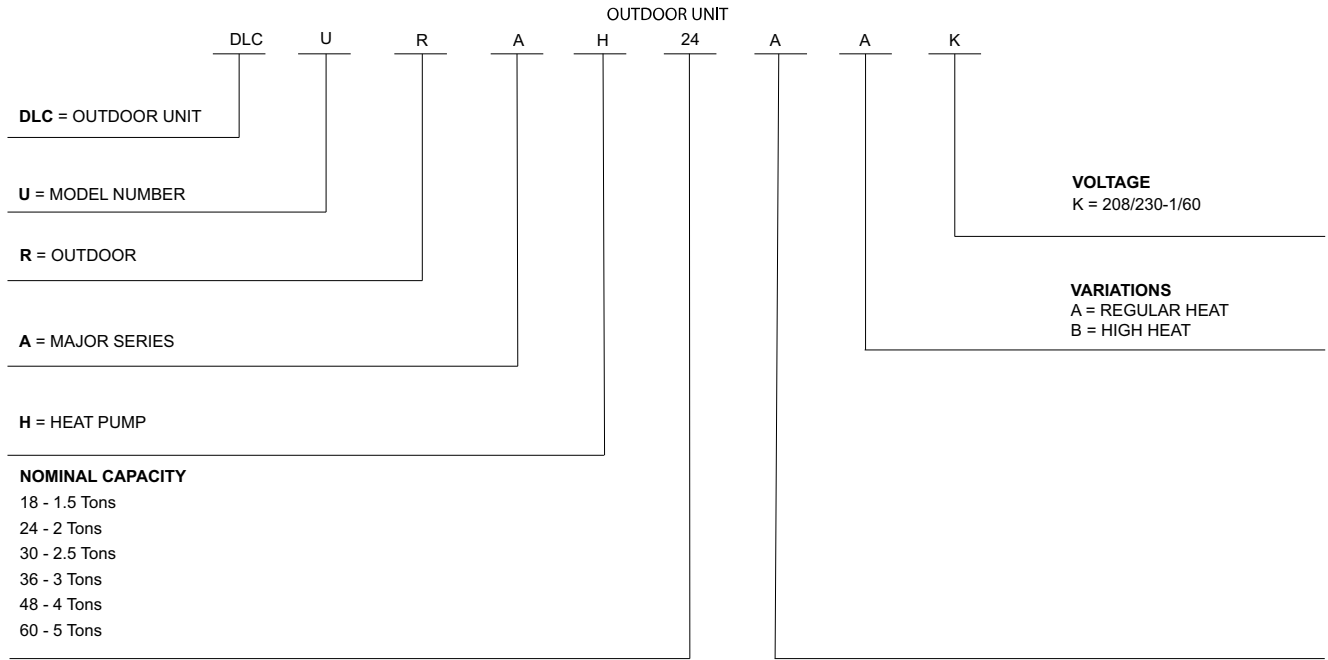
#### Reliability, Quality and Toughness

- Inverter-driven, variable speed, rotary Compressor
- Line lengths up to 213' (65 m)
- Low ambient operation on high heat models down to -22F (-30C) without the use of wind baffles
- Conventional line set sizes

**NOTE: Ratings contained in this document are subject to change at any time. Always refer to the AHRI directory ([www.ahridirectory.org](http://www.ahridirectory.org)) for the most up-to-date ratings information.**

|   | PAGE |
|---|------|
| MODEL NUMBER NOMENCLATURE .....         | 2    |
| STANDARD FEATURES AND ACCESSORIES ..... | 3    |
| DIMENSIONS .....                        | 4    |
| CLEARANCES .....                        | 8    |
| PERFORMANCE .....                       | 9    |
| PERFORMANCE - AIR HANDLER .....         | 10   |
| APPLICATION DATA .....                  | 82   |
| WIRING .....                            | 82   |
| ELECTRICAL DATA .....                   | 85   |
| CONNECTION DIAGRAMS .....               | 86   |
| 24V CONNECTION DIAGRAMS .....           | 87   |
| WIRING DIAGRAMS .....                   | 88   |
| GUIDE SPECIFICATIONS .....              | 96   |

# MODEL NUMBER NOMENCLATURE



A220411



Use of the AHRI Certified TM Mark indicates a manufacturer's participation in the program For verification of certification for individual products, go to [www.ahridirectory.org](http://www.ahridirectory.org).



A220412

## STANDARD FEATURES AND ACCESSORIES

| <b>Ease Of Installation</b>                    |   |
|--|---|
| Low Voltage Controls                           | S |
| <b>Comfort Features</b>                        |   |
| Microprocessor Controls                        | S |
| Auto Restart Function                          | S |
| Auto Changeover                                | S |
| <b>Energy Saving Features</b>                  |   |
| Inverter Driven Compressor                     | S |
| 46° F Heating Mode (Heating Setback)*          | S |
| <b>Safety And Reliability</b>                  |   |
| 3 Minute Time Delay For Compressor             | S |
| High Compressor Discharge Temperature          | S |
| Low Voltage Protection                         | S |
| Compressor Overload Protection                 | S |
| Compressor Over Current Protection             | S |
| IPM Module Protection                          | S |
| Condenser High Temp Protection in Cooling Mode | S |
| Anti-corrosive film coating                    | S |
| <b>Ease Of Service And Maintenance</b>         |   |
| Diagnostics                                    | S |
| Liquid Line Pressure Taps                      | S |
| <b>Application Flexibility</b>                 |   |
| Crankcase Heater                               | S |
| Base pan Heater                                | S |

\*46°F setback is available with the wireless remote to work with the wire controller's IR. Only available when the wireless remote is used in conjunction with wired controller KSACN1001.

### Legend

- S - Standard
- A - Accessory

### Accessories

| Model        | Rubber Plug P/N | Quantity |
|--------------|-----------------|----------|
| DLCURAH18AAK | 12600801A00077  | 26       |
| DLCURAH24AAK | 12600801A00077  | 34       |
| DLCURAH30AAK | 12600801A00117  | 5        |
| DLCURAH36AAK | 12600801A00117  | 5        |
| DLCURAH48AAK | 12600801A00118  | 5        |
| DLCURAH60AAK | 12600801A00118  | 5        |
| DLCURAH18ABK | 12600801A00077  | 34       |
| DLCURAH24ABK | 12600801A00117  | 5        |
| DLCURAH30ABK | 12600801A00117  | 5        |
| DLCURAH36ABK | 12600801A00118  | 5        |
| DLCURAH48ABK | 12600801A00118  | 5        |
| DLCURAH60ABK | 12600801A00118  | 5        |

**NOTE:** The base pan is built in with multiple holes for proper draining during the defrost process. For applications where it is required to seal these holes, and re-direct the condensate drain, rubber plugs are available through RCD.

### Outdoor Units

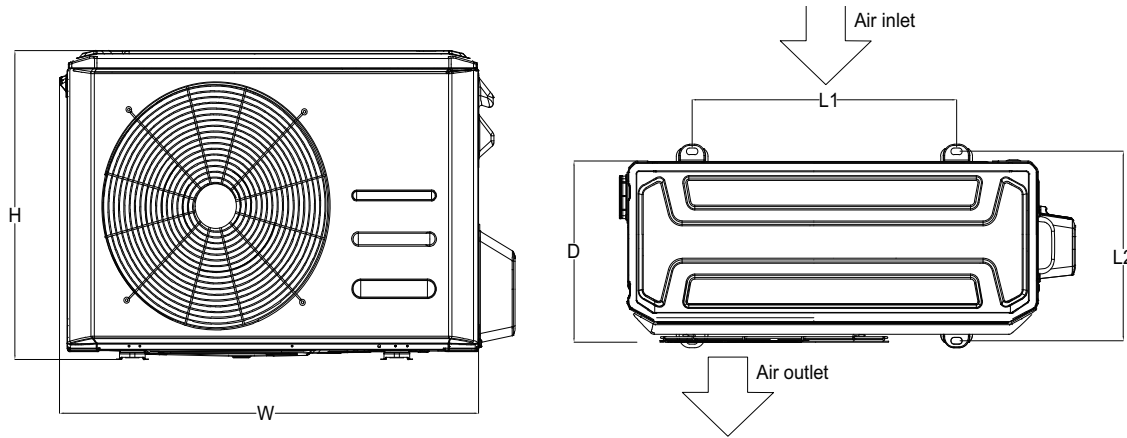
#### Crankcase Unit

The crankcase heater is standard on all unit sizes. Heater clamps must be placed around the compressor oil sump.

#### Base pan Heater

The base pan heater is standard on all unit sizes.

# DIMENSIONS



**Fig. 1 — Outdoor Unit**

A220414

| Size             | Unit     | 1.5T          | 2T            | 2.5T          | 3T            | 4T             | 5T             |
|------------------|----------|---------------|---------------|---------------|---------------|----------------|----------------|
| Width (W)        | in (mm)  | 31.69 (805)   | 35.04 (890)   | 37.24 (946)   | 37.24 (946)   | 37.48 (952)    | 37.48 (952)    |
| Height (H)       | in (mm)  | 21.81 (554)   | 26.50 (673)   | 31.89 (810)   | 31.89 (810)   | 52.48 (1333)   | 52.48 (1333)   |
| Depth (D)        | in (mm)  | 12.99 (330)   | 13.29 (338)   | 16.02 (407)   | 16.02 (407)   | 16.34 (415)    | 16.34 (415)    |
| L1               | in (mm)  | 26.1 (663)    | 26.1 (663)    | 26.5 (673)    | 26.5 (673)    | 25 (634)       | 25 (634)       |
| L2               | in (mm)  | 13.65 (346.7) | 13.65 (346.7) | 15.85 (402.6) | 15.85 (402.6) | 15.9 (404)     | 15.9 (404)     |
| Operating Weight | lbs (kg) | 75.84 (34.4)  | 102.29 (46.4) | 141.76 (64.3) | 151.68 (68.8) | 217.59 (98.7)  | 217.15 (98.5)  |
| Shipping Width   | in (mm)  | 36.02 (915)   | 39.17 (995)   | 42.91 (1090)  | 42.91 (1090)  | 43.11 (1095)   | 43.11 (1095)   |
| Shipping Height  | in (mm)  | 24.21 (615)   | 29.13 (740)   | 34.84 (885)   | 34.84 (885)   | 58.27 (1480)   | 58.27 (1480)   |
| Shipping Depth   | in (mm)  | 14.57 (370)   | 15.67 (398)   | 19.69 (500)   | 19.69 (500)   | 19.49 (495)    | 19.49 (495)    |
| Shipping Weight  | lbs (kg) | 81.35 (36.9)  | 109.13 (49.5) | 151.46 (68.7) | 161.16 (73.1) | 248.68 (112.8) | 248.46 (112.7) |

| Size             | Unit     | 1.5T - HH     | 2T - HH       | 2.5T - HH     | 3T - HH        | 4T - HH        | 5T - HH        |
|------------------|----------|---------------|---------------|---------------|----------------|----------------|----------------|
| Width (W)        | in (mm)  | 35.04 (890)   | 37.24 (946)   | 37.24 (946)   | 37.48 (952)    | 37.48 (952)    | 37.48 (952)    |
| Height (H)       | in (mm)  | 26.50 (673)   | 31.89 (810)   | 31.89 (810)   | 52.48 (1333)   | 52.48 (1333)   | 52.48 (1333)   |
| Depth (D)        | in (mm)  | 13.29 (338)   | 16.02 (407)   | 16.02 (407)   | 16.34 (415)    | 16.34 (415)    | 16.34 (415)    |
| L1               | in (mm)  | 26.1 (663)    | 26.5 (673)    | 26.5 (673)    | 25 (634)       | 25 (634)       | 25 (634)       |
| L2               | in (mm)  | 13.65 (346.7) | 15.85 (402.6) | 15.85 (402.6) | 15.9 (404)     | 15.9 (404)     | 15.9 (404)     |
| Operating Weight | lbs (kg) | 102.29 (46.4) | 141.76 (64.3) | 141.76 (64.3) | 217.59 (98.7)  | 217.59 (98.7)  | 239.86 (108.8) |
| Shipping Width   | in (mm)  | 39.17 (995)   | 42.91 (1090)  | 42.91 (1090)  | 43.11 (1095)   | 43.11 (1095)   | 43.11 (1095)   |
| Shipping Height  | in (mm)  | 29.13 (740)   | 34.84 (885)   | 34.84 (885)   | 58.27 (1480)   | 58.27 (1480)   | 58.27 (1480)   |
| Shipping Depth   | in (mm)  | 15.67 (398)   | 19.69 (500)   | 19.69 (500)   | 19.49 (495)    | 19.49 (495)    | 19.49 (495)    |
| Shipping Weight  | lbs (kg) | 109.13 (49.5) | 151.46 (68.7) | 151.46 (68.7) | 248.68 (112.8) | 248.68 (112.8) | 271.61 (123.2) |

# DIMENSIONS (CONT)

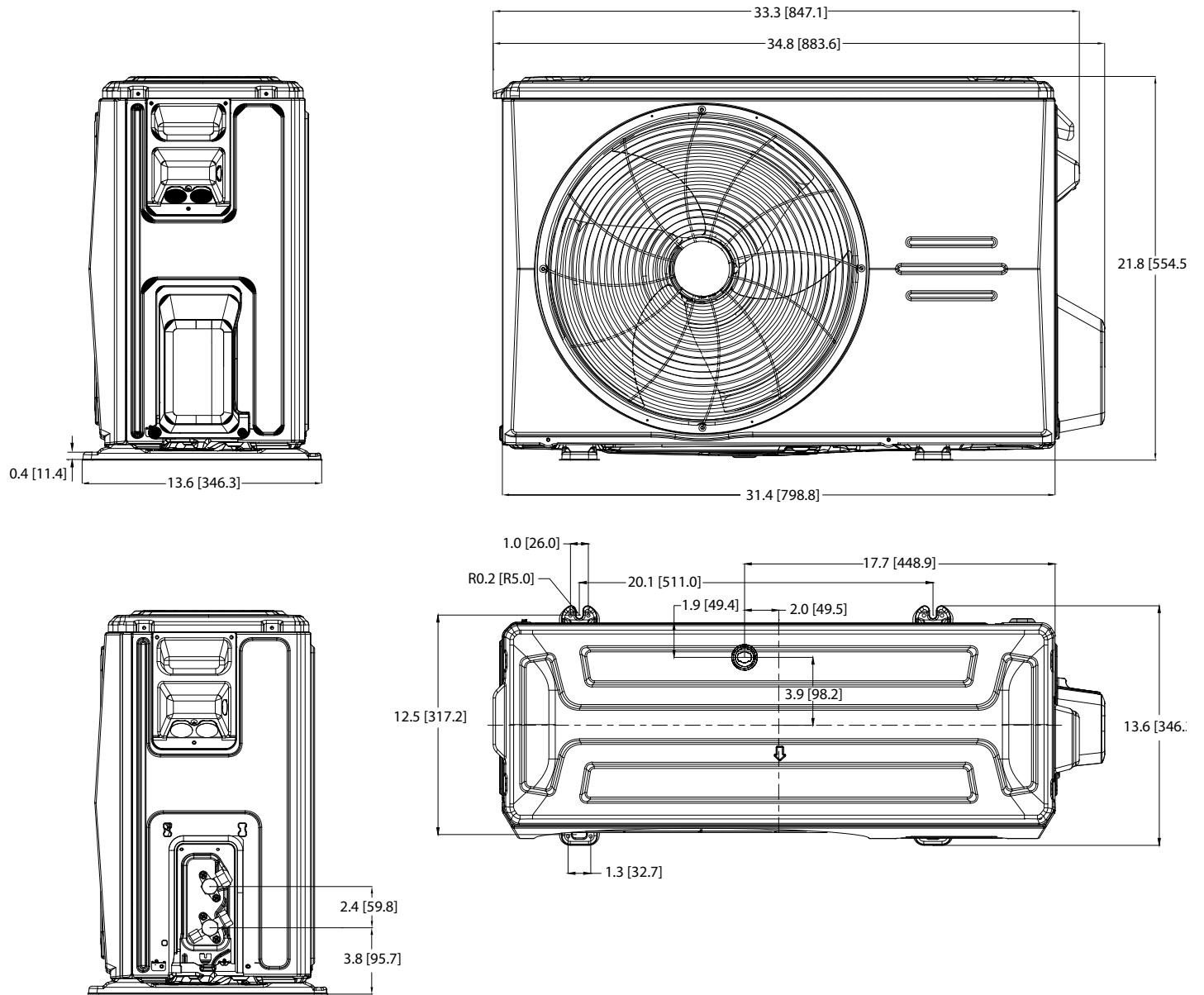
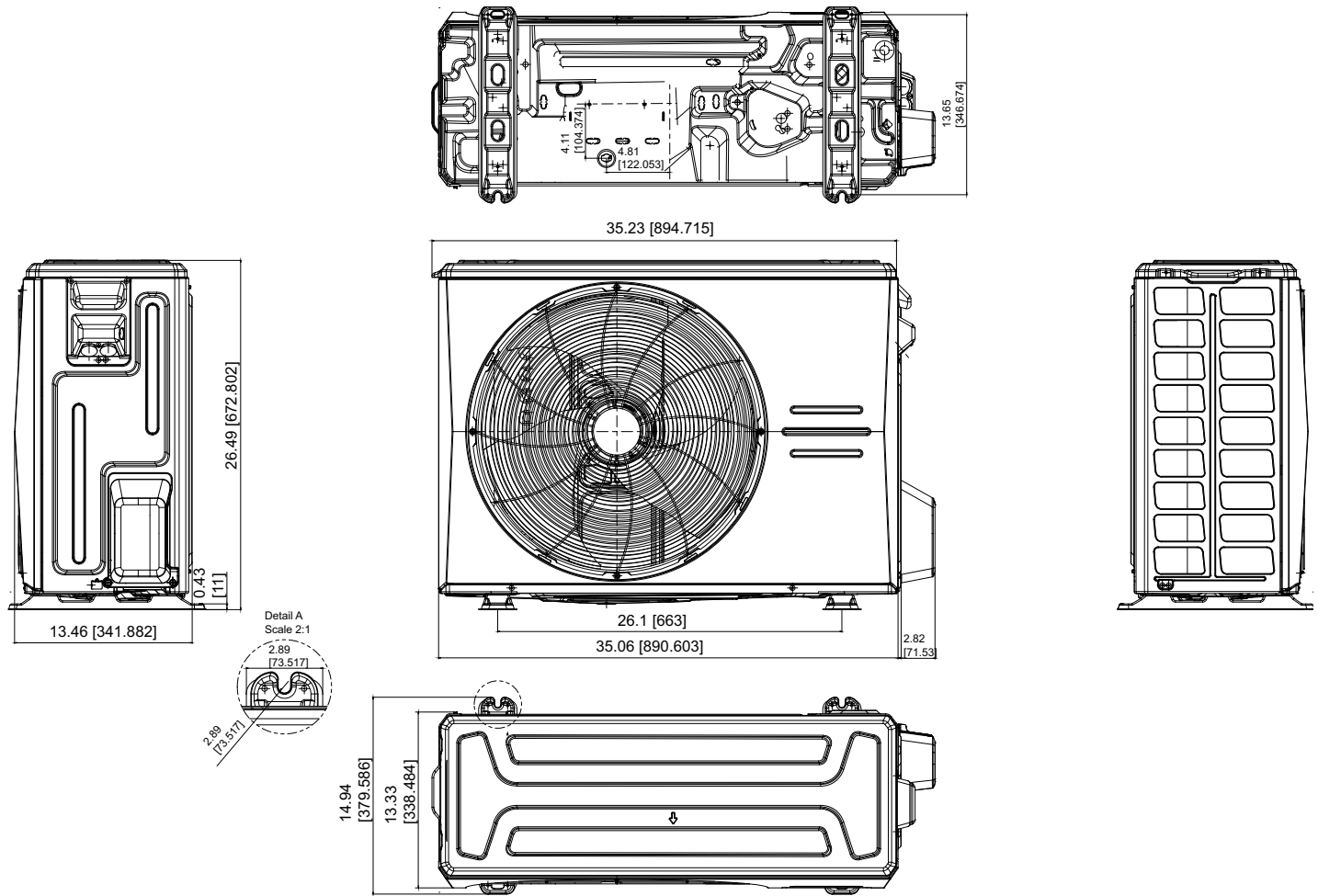


Fig. 2 —Dimension Size 18K

A221416

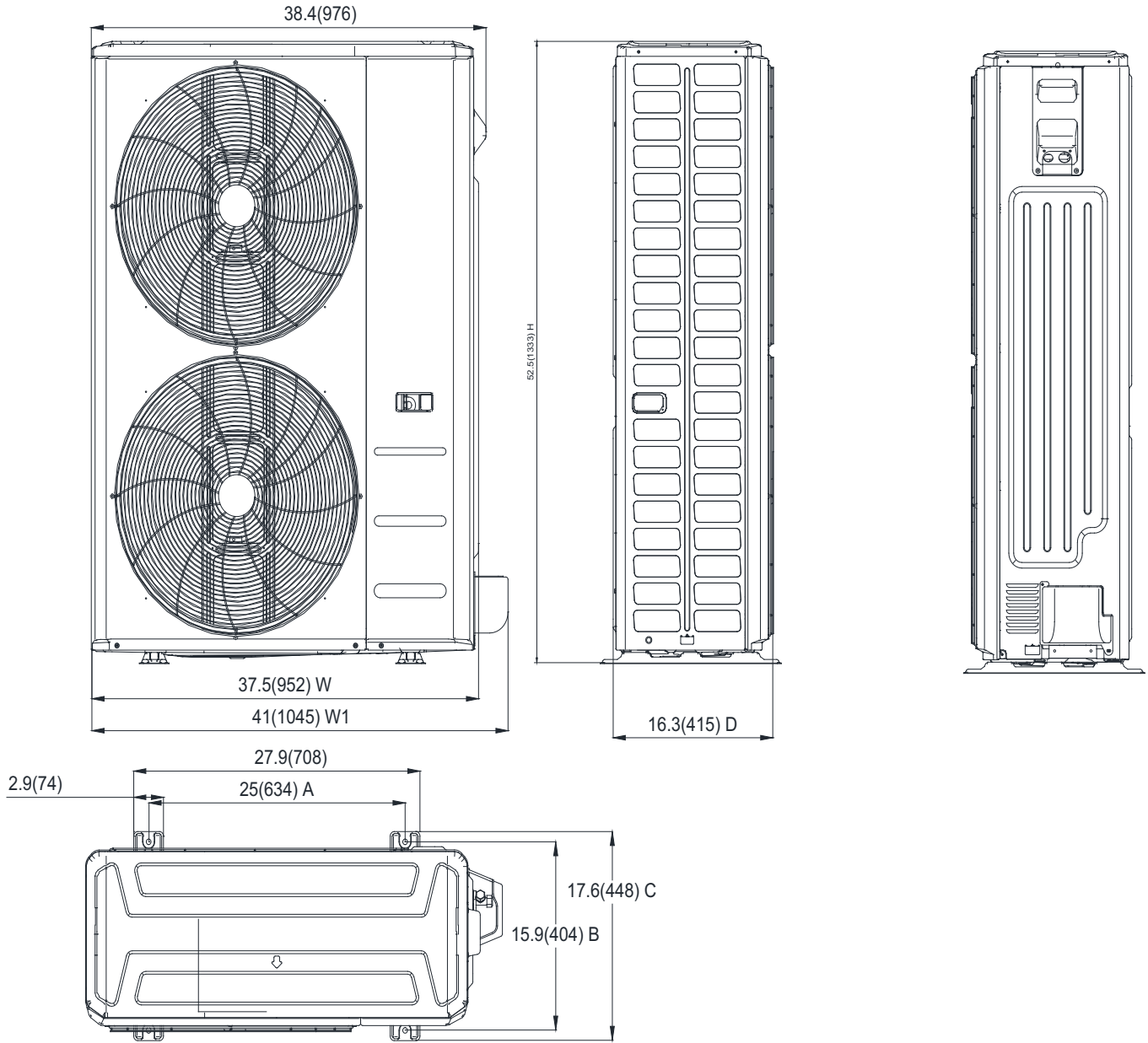
# DIMENSIONS (CONT)



**Fig. 3 —Dimension Sizes 18K HH / 24K**

A221417

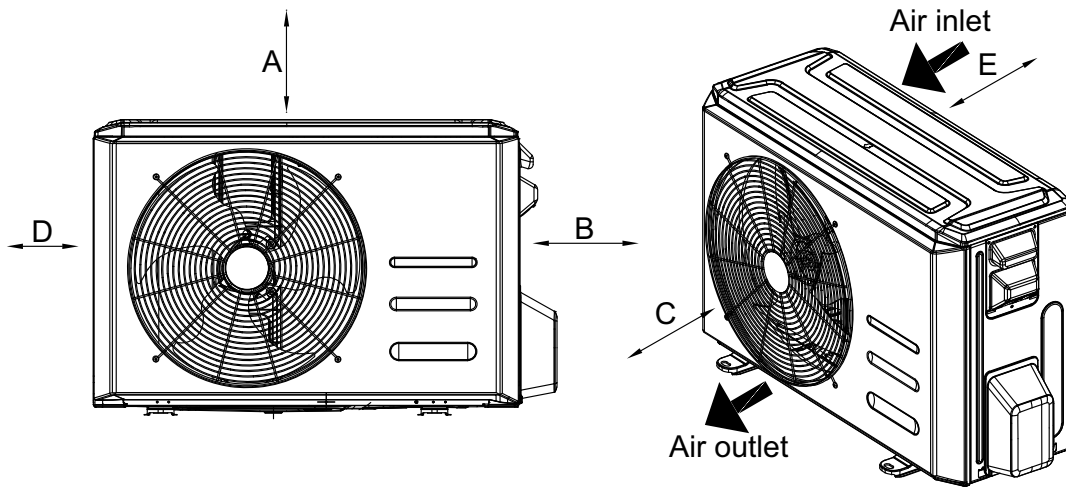
# DIMENSIONS (CONT)



**Fig. 4 —Dimension Sizes 36K HH / 48K HH / 60K / 60K HH**

A221418

# CLEARANCES

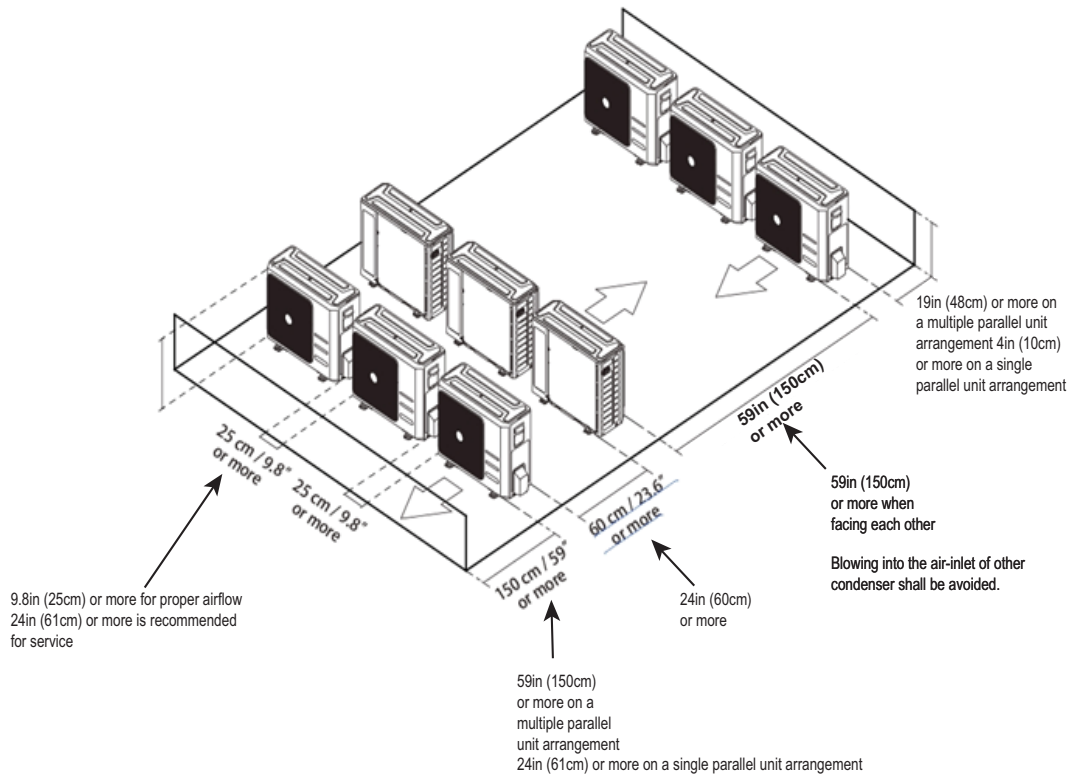


**Fig. 5 —Clearances**

A220419

| UNIT | MINIMUM VALUE<br>in. (mm) |
|------|---------------------------|
| A    | 24 (610)                  |
| B    | 24 (610)                  |
| C    | 24 (610)                  |
| D    | 4 (101)                   |
| E    | 4 (101)                   |

**NOTE:** The outdoor unit must be mounted at least 2in (50mm) above the maximum anticipated snow depth.



**Fig. 6 —Clearances for multiple units**

A220421



# PERFORMANCE

**NOTE: Ratings contained in this document are subject to change at any time. For AHRI ratings certificates, refer to the AHRI directory [www.ahridirectory.org](http://www.ahridirectory.org)**

## AIR HANDLER

### Heat Pump (Standard Heat)

| Outdoor Size                  |       | 1.5T       | 2T         | 2.5T        | 3T         | 4T          | 5T          |
|-------------------------------|-------|------------|------------|-------------|------------|-------------|-------------|
| <b>M Ratings</b>              |       |            |            |             |            |             |             |
| Indoor Model                  |       | 18K        | 24K        | 30K         | 36K        | 48K         | 60K         |
| Energy Star                   |       | NO         | NO         | NO          | NO         | NO          | NO          |
| Cooling Rated Capacity        | Btu/h | 18,000     | 24,000     | 30,000      | 36,000     | 47,000      | 57,000      |
| Cooling Cap. Range Min - Max  | Btu/h | 5400~18700 | 7500~26000 | 9500~33000  | 8900~38900 | 10500~48000 | 4400~60200  |
| SEER                          |       | 19.0       | 19.4       | 19.5        | 18.0       | 17.3        | 18.0        |
| EER                           |       | 11.1       | 11.3       | 10.9        | 10.4       | 9.3         | 10.3        |
| Heating Rated Capacity (47°F) | Btu/h | 18,500     | 26,000     | 31,000      | 36,000     | 55,000      | 60,000      |
| Heating Rated Capacity (17°F) | Btu/h | 11,500     | 17,000     | 19,000      | 21,000     | 33,000      | 33,800      |
| Heating Rated Capacity (5°F)  | Btu/h | 9,500      | 17,000     | 20,000      | 21,000     | 27,000      | 29,000      |
| Heating Cap. Range Min - Max  | Btu/h | 5600~18700 | 5600~30000 | 12200~32000 | 6000~36400 | 11700~57000 | 11400~63100 |
| HSPF                          |       | 10.8       | 11.3       | 10.3        | 9.1        | 10.0        | 9.2         |
| COP (47°F)                    | W/W   | 3.49       | 3.54       | 3.19        | 3.02       | 3.00        | 3.55        |
| COP (17°F)                    | W/W   | 2.70       | 2.75       | 2.30        | 2.25       | 2.00        | 2.45        |
| COP (5°F)                     | W/W   | 1.85       | 1.75       | 1.95        | 1.80       | 1.72        | 1.80        |
| <b>M1 Ratings</b>             |       |            |            |             |            |             |             |
| Cooling Rated Capacity        | Btu/h | 18,000     | 24,000     | 30,000      | 36,000     | 47,000      | 57,000      |
| Cooling Cap. Range Min - Max  | Btu/h | 5400~18700 | 7500~26000 | 9500~33000  | 8900~38900 | 10500~48000 | 4400~60200  |
| <b>SEER2</b>                  |       | 16.0       | 17.0       | 17.3        | 16.9       | 15.8        | 14.7        |
| <b>EER2</b>                   |       | 10.8       | 10.5       | 10.6        | 10.1       | 8.8         | 8.7         |
| Heating Rated Capacity (47°F) | Btu/h | 18,000     | 26,000     | 31,000      | 36,000     | 55,000      | 60,000      |
| Heating Rated Capacity (17°F) | Btu/h | 11,500     | 20,700     | 20,000      | 20,500     | 36,500      | 36,000      |
| Heating Rated Capacity (5°F)  | Btu/h | 10,000     | 17,000     | 17,800      | 21,000     | 36,500      | 34,800      |
| Heating Cap. Range Min - Max  | Btu/h | 5600~18700 | 5600~30000 | 12200~32000 | 6000~36400 | 11700~57000 | 11400~63100 |
| <b>HSPF2</b>                  |       | 8.7        | 9.1        | 8.5         | 8.2        | 9.4         | 8.4         |
| COP (47°F)                    | W/W   | 3.50       | 3.45       | 3.25        | 3.39       | 3.15        | 3.45        |
| COP (17°F)                    | W/W   | 2.75       | 2.40       | 2.45        | 2.40       | 2.30        | 2.35        |
| COP (5°F)                     | W/W   | 1.90       | 2.00       | 1.75        | 1.88       | 1.98        | 1.89        |

### Heat Pump (High Heat)

| Outdoor Size                  |       | 1.5T - HH  | 2T - HH     | 2.5T - HH   | 3T - HH     | 4T - HH     | 5T - HH     |
|-------------------------------|-------|------------|-------------|-------------|-------------|-------------|-------------|
| <b>M Ratings</b>              |       |            |             |             |             |             |             |
| Indoor Model                  |       | 18K        | 24K         | 30K         | 36K         | 48K         | 60K         |
| Energy Star                   |       | YES        | YES         | NO          | NO          | NO          | NO          |
| Cooling Rated Capacity        | Btu/h | 18,000     | 24,000      | 30,000      | 36,000      | 47,000      | 55,000      |
| Cooling Cap. Range Min - Max  | Btu/h | 6900~21000 | 6400~27000  | 10400~33600 | 12000~47400 | 18000~48000 | 18000~56000 |
| SEER                          |       | 20.0       | 20.0        | 18.0        | 18.0        | 16.0        | 16.4        |
| EER                           |       | 12.5       | 12.5        | 11          | 10.5        | 8.5         | 9           |
| Heating Rated Capacity (47°F) | Btu/h | 19,000     | 24,000      | 33,000      | 41,500      | 50,000      | 59,000      |
| Heating Rated Capacity (17°F) | Btu/h | 13,000     | 16,700      | 19,400      | 24,000      | 32,000      | 42,000      |
| Heating Rated Capacity (5°F)  | Btu/h | 19,000     | 24,000      | 28,500      | 34,500      | 47,000      | 50,000      |
| Heating Cap. Range Min - Max  | Btu/h | 2800~21000 | 10100~31000 | 12000~37000 | 9000~57200  | 20000~55000 | 20000~68000 |
| HSPF                          |       | 11.0       | 12.0        | 10.5        | 10.5        | 10.0        | 10.5        |
| COP (47°F)                    | W/W   | 3.59       | 3.45        | 3.48        | 3.45        | 3.00        | 3.50        |
| COP (17°F)                    | W/W   | 2.75       | 2.70        | 2.60        | 2.65        | 2.30        | 2.60        |
| COP (5°F)                     | W/W   | 1.90       | 1.80        | 1.95        | 1.80        | 1.88        | 1.96        |
| <b>M1 Ratings</b>             |       |            |             |             |             |             |             |
| Cooling Rated Capacity        | Btu/h | 18,000     | 24,000      | 30,000      | 36,000      | 47,000      | 55,000      |
| Cooling Cap. Range Min - Max  | Btu/h | 6900~21000 | 6400~27000  | 10400~33600 | 12000~47400 | 18000~48000 | 18000~56000 |
| <b>SEER2</b>                  |       | 18.0       | 17.4        | 16.2        | 15.8        | 15.6        | 15.0        |
| <b>EER2</b>                   |       | 12.4       | 11.7        | 9.8         | 9.8         | 8.2         | 8.5         |
| Heating Rated Capacity (47°F) | Btu/h | 19,000     | 24,000      | 33,000      | 41,000      | 50,000      | 59,000      |
| Heating Rated Capacity (17°F) | Btu/h | 13,000     | 18,600      | 20,400      | 29,500      | 35,000      | 42,000      |
| Heating Rated Capacity (5°F)  | Btu/h | 16,500     | 22,700      | 24,100      | 34,500      | 46,000      | 50,000      |
| Heating Cap. Range Min - Max  | Btu/h | 2800~21000 | 10100~31000 | 12000~37000 | 9000~57200  | 20000~55000 | 20000~68000 |
| <b>HSPF2</b>                  |       | 9.2        | 9.8         | 8.8         | 9.5         | 9.3         | 9.0         |
| COP (47°F)                    | W/W   | 3.60       | 3.40        | 3.30        | 3.35        | 3.15        | 3.00        |
| COP (17°F)                    | W/W   | 2.50       | 2.40        | 2.30        | 2.40        | 2.30        | 2.60        |
| COP (5°F)                     | W/W   | 2.00       | 1.85        | 1.80        | 1.95        | 1.90        | 1.96        |

Manufacturer reserves the right to change, at any time, specifications and designs without notice and without obligations.

# PERFORMANCE - AIR HANDLER

COOLING PERFORMANCE - 18K (Sheet 1 of 4)

| AIRFLOW<br>(CFM) | OUTDOOR<br>DB(F) | ID WB(F) | 60.8     |       |       |       | 64.4  |       |       |       | 66.2  |       |       |       | 71.6  |       |       |       |
|------------------|------------------|----------|----------|-------|-------|-------|-------|-------|-------|-------|-------|-------|-------|-------|-------|-------|-------|-------|
|                  |                  |          | ID DB(F) | 73.4  | 77.0  | 80.6  | 84.2  | 73.4  | 77.0  | 80.6  | 84.2  | 73.4  | 77.0  | 80.6  | 84.2  | 73.4  | 77.0  | 80.6  |
|                  |                  | 489      | -22      | TC    | 19068 | 19078 | 19287 | 19495 | 19970 | 20392 | 20392 | 20598 | 20466 | 20466 | 20466 | 20466 | 21548 | 21548 |
| S/T              | 0.72             |          |          | 0.83  | 0.92  | 0.95  | 0.57  | 0.67  | 0.76  | 0.86  | 0.49  | 0.59  | 0.68  | 0.77  | 0.33  | 0.42  | 0.50  | 0.59  |
| PI               | 1.36             |          |          | 1.37  | 1.37  | 1.36  | 1.37  | 1.37  | 1.37  | 1.37  | 1.37  | 1.37  | 1.37  | 1.37  | 1.37  | 1.37  | 1.37  | 1.37  |
| -10              | TC               |          | 18927    | 18937 | 19144 | 19351 | 19857 | 20276 | 20276 | 20481 | 20364 | 20364 | 20364 | 20364 | 21482 | 21482 | 21482 | 21482 |
|                  | S/T              |          | 0.73     | 0.83  | 0.93  | 0.96  | 0.57  | 0.67  | 0.77  | 0.86  | 0.50  | 0.59  | 0.69  | 0.78  | 0.34  | 0.42  | 0.51  | 0.59  |
|                  | PI               |          | 1.23     | 1.24  | 1.24  | 1.23  | 1.23  | 1.23  | 1.23  | 1.23  | 1.23  | 1.23  | 1.23  | 1.23  | 1.24  | 1.24  | 1.24  | 1.24  |
| 0                | TC               |          | 18810    | 18820 | 19026 | 19231 | 19762 | 20180 | 20180 | 20384 | 20279 | 20279 | 20279 | 20279 | 21428 | 21428 | 21428 | 21428 |
|                  | S/T              |          | 0.73     | 0.84  | 0.93  | 0.96  | 0.58  | 0.67  | 0.77  | 0.87  | 0.50  | 0.60  | 0.69  | 0.78  | 0.34  | 0.42  | 0.51  | 0.60  |
|                  | PI               |          | 1.15     | 1.16  | 1.16  | 1.15  | 1.15  | 1.15  | 1.15  | 1.15  | 1.15  | 1.15  | 1.15  | 1.15  | 1.15  | 1.15  | 1.15  | 1.15  |
| 5                | TC               |          | 18755    | 18765 | 18970 | 19175 | 19726 | 20143 | 20143 | 20346 | 20248 | 20248 | 20248 | 20248 | 21414 | 21414 | 21414 | 21414 |
|                  | S/T              |          | 0.73     | 0.84  | 0.94  | 0.97  | 0.58  | 0.68  | 0.77  | 0.87  | 0.50  | 0.60  | 0.70  | 0.78  | 0.34  | 0.42  | 0.51  | 0.60  |
|                  | PI               |          | 1.08     | 1.09  | 1.09  | 1.08  | 1.08  | 1.08  | 1.08  | 1.08  | 1.08  | 1.08  | 1.08  | 1.08  | 1.07  | 1.07  | 1.07  | 1.07  |
| 14               | TC               |          | 18643    | 18654 | 18857 | 19061 | 19615 | 20030 | 20030 | 20232 | 20146 | 20146 | 20146 | 20146 | 21341 | 21341 | 21341 | 21341 |
|                  | S/T              |          | 0.74     | 0.84  | 0.94  | 0.97  | 0.58  | 0.68  | 0.78  | 0.87  | 0.50  | 0.60  | 0.70  | 0.79  | 0.34  | 0.43  | 0.51  | 0.60  |
|                  | PI               |          | 1.08     | 1.08  | 1.08  | 1.08  | 1.07  | 1.07  | 1.07  | 1.07  | 1.08  | 1.08  | 1.08  | 1.08  | 1.07  | 1.07  | 1.07  | 1.07  |
| 23               | TC               |          | 18532    | 18542 | 18745 | 18948 | 19541 | 19954 | 19954 | 20156 | 20073 | 20073 | 20073 | 20073 | 21287 | 21287 | 21287 | 21287 |
|                  | S/T              |          | 0.74     | 0.85  | 0.95  | 0.98  | 0.59  | 0.68  | 0.78  | 0.88  | 0.51  | 0.60  | 0.70  | 0.79  | 0.34  | 0.43  | 0.52  | 0.60  |
|                  | PI               |          | 1.08     | 1.08  | 1.08  | 1.08  | 1.07  | 1.07  | 1.07  | 1.07  | 1.08  | 1.08  | 1.08  | 1.08  | 1.08  | 1.08  | 1.08  | 1.08  |
| 32               | TC               |          | 18440    | 18450 | 18651 | 18853 | 19468 | 19879 | 19879 | 20080 | 20017 | 20017 | 20017 | 20017 | 21269 | 21269 | 21269 | 21269 |
|                  | S/T              |          | 0.74     | 0.85  | 0.95  | 0.98  | 0.59  | 0.69  | 0.78  | 0.88  | 0.51  | 0.61  | 0.71  | 0.79  | 0.34  | 0.43  | 0.52  | 0.61  |
|                  | PI               |          | 1.08     | 1.08  | 1.08  | 1.08  | 1.08  | 1.08  | 1.08  | 1.08  | 1.08  | 1.08  | 1.08  | 1.08  | 1.08  | 1.08  | 1.08  | 1.08  |
| 41               | TC               |          | 18347    | 18357 | 18558 | 18758 | 19394 | 19803 | 19803 | 20003 | 19953 | 19953 | 19953 | 19953 | 21251 | 21251 | 21251 | 21251 |
|                  | S/T              |          | 0.75     | 0.86  | 0.96  | 0.99  | 0.59  | 0.69  | 0.79  | 0.89  | 0.51  | 0.61  | 0.71  | 0.80  | 0.34  | 0.43  | 0.52  | 0.61  |
|                  | PI               |          | 1.09     | 1.09  | 1.09  | 1.09  | 1.09  | 1.09  | 1.09  | 1.09  | 1.09  | 1.09  | 1.09  | 1.09  | 1.09  | 1.09  | 1.09  | 1.09  |
| 50               | TC               |          | 18236    | 18246 | 18445 | 18644 | 19301 | 19709 | 19709 | 19908 | 19869 | 19869 | 19869 | 19869 | 21196 | 21196 | 21196 | 21196 |
|                  | S/T              |          | 0.75     | 0.86  | 0.96  | 0.99  | 0.59  | 0.69  | 0.79  | 0.89  | 0.51  | 0.61  | 0.71  | 0.80  | 0.35  | 0.44  | 0.52  | 0.61  |
|                  | PI               |          | 1.11     | 1.11  | 1.11  | 1.11  | 1.10  | 1.10  | 1.10  | 1.10  | 1.11  | 1.11  | 1.11  | 1.11  | 1.10  | 1.10  | 1.10  | 1.10  |
| 59               | TC               |          | 18087    | 18097 | 18295 | 18493 | 19172 | 19577 | 19577 | 19775 | 19749 | 19749 | 19749 | 19749 | 21106 | 21106 | 21106 | 21106 |
|                  | S/T              |          | 0.76     | 0.87  | 0.97  | 1.00  | 0.60  | 0.70  | 0.80  | 0.90  | 0.52  | 0.62  | 0.72  | 0.81  | 0.35  | 0.44  | 0.53  | 0.62  |
|                  | PI               |          | 1.14     | 1.14  | 1.14  | 1.13  | 1.13  | 1.13  | 1.13  | 1.13  | 1.13  | 1.13  | 1.13  | 1.13  | 1.12  | 1.12  | 1.12  | 1.12  |
| 68               | TC               |          | 17884    | 17893 | 18089 | 18284 | 18969 | 18969 | 18969 | 19164 | 19556 | 19556 | 19556 | 19556 | 20924 | 20924 | 20924 | 20924 |
|                  | S/T              |          | 0.76     | 0.87  | 0.97  | 1.00  | 0.60  | 0.70  | 0.80  | 0.90  | 0.52  | 0.62  | 0.72  | 0.81  | 0.35  | 0.44  | 0.53  | 0.62  |
|                  | PI               |          | 1.17     | 1.18  | 1.18  | 1.17  | 1.17  | 1.17  | 1.17  | 1.17  | 1.17  | 1.17  | 1.17  | 1.17  | 1.16  | 1.16  | 1.16  | 1.16  |
| 77               | TC               |          | 17013    | 17209 | 17404 | 17600 | 18089 | 18089 | 18089 | 18284 | 18676 | 18676 | 18676 | 18676 | 20044 | 20044 | 20044 | 20044 |
|                  | S/T              |          | 0.78     | 0.88  | 0.99  | 1.00  | 0.61  | 0.71  | 0.82  | 0.92  | 0.53  | 0.63  | 0.73  | 0.83  | 0.34  | 0.44  | 0.53  | 0.63  |
|                  | PI               |          | 1.30     | 1.30  | 1.30  | 1.30  | 1.30  | 1.30  | 1.30  | 1.30  | 1.30  | 1.30  | 1.30  | 1.30  | 1.30  | 1.30  | 1.30  | 1.30  |
| 86               | TC               |          | 16231    | 16427 | 16622 | 16818 | 17307 | 17307 | 17307 | 17502 | 17796 | 17796 | 17796 | 17796 | 19164 | 19164 | 19164 | 19164 |
|                  | S/T              |          | 0.79     | 0.90  | 1.00  | 1.00  | 0.61  | 0.72  | 0.83  | 0.94  | 0.53  | 0.64  | 0.74  | 0.85  | 0.34  | 0.44  | 0.54  | 0.64  |
|                  | PI               |          | 1.41     | 1.41  | 1.41  | 1.41  | 1.42  | 1.42  | 1.42  | 1.42  | 1.42  | 1.42  | 1.42  | 1.42  | 1.42  | 1.42  | 1.42  | 1.42  |
| 95               | TC               |          | 15449    | 15644 | 15840 | 16036 | 16427 | 16427 | 16427 | 16622 | 16916 | 16916 | 17209 | 16916 | 18284 | 18284 | 18284 | 18284 |
|                  | S/T              |          | 0.81     | 0.92  | 1.00  | 1.00  | 0.62  | 0.74  | 0.85  | 0.96  | 0.54  | 0.65  | 0.75  | 0.87  | 0.34  | 0.44  | 0.55  | 0.65  |
|                  | PI               |          | 1.55     | 1.55  | 1.55  | 1.55  | 1.55  | 1.55  | 1.55  | 1.55  | 1.56  | 1.56  | 1.56  | 1.56  | 1.57  | 1.57  | 1.57  | 1.57  |
| 104              | TC               |          | 14606    | 14758 | 14910 | 15061 | 15543 | 15543 | 15587 | 15739 | 16033 | 16033 | 16194 | 16122 | 17317 | 17317 | 17317 | 17317 |
|                  | S/T              |          | 0.84     | 0.97  | 1.00  | 1.00  | 0.64  | 0.76  | 0.89  | 1.00  | 0.54  | 0.67  | 0.79  | 0.91  | 0.33  | 0.45  | 0.56  | 0.67  |
|                  | PI               |          | 1.71     | 1.71  | 1.71  | 1.71  | 1.71  | 1.71  | 1.71  | 1.71  | 1.72  | 1.72  | 1.72  | 1.72  | 1.73  | 1.73  | 1.73  | 1.73  |
| 115              | TC               |          | 13536    | 13634 | 13732 | 13831 | 14419 | 14419 | 14517 | 14615 | 14910 | 14910 | 14910 | 15106 | 16087 | 16087 | 16087 | 16087 |
|                  | S/T              |          | 0.85     | 0.99  | 1.00  | 1.00  | 0.65  | 0.78  | 0.91  | 1.00  | 0.55  | 0.68  | 0.80  | 0.93  | 0.33  | 0.45  | 0.57  | 0.69  |
|                  | PI               |          | 1.90     | 1.90  | 1.90  | 1.90  | 1.91  | 1.91  | 1.91  | 1.91  | 1.91  | 1.91  | 1.91  | 1.91  | 1.93  | 1.93  | 1.93  | 1.93  |
| 122              | TC               | 12654    | 12752    | 12850 | 12948 | 13536 | 13536 | 13634 | 13732 | 14027 | 14027 | 14027 | 14125 | 15204 | 15204 | 15204 | 15204 |       |
|                  | S/T              | 0.88     | 1.00     | 1.00  | 1.00  | 0.66  | 0.80  | 0.94  | 1.00  | 0.56  | 0.69  | 0.83  | 0.96  | 0.33  | 0.45  | 0.58  | 0.70  |       |
|                  | PI               | 2.06     | 2.06     | 2.06  | 2.06  | 2.07  | 2.07  | 2.07  | 2.07  | 2.07  | 2.07  | 2.07  | 2.07  | 2.09  | 2.09  | 2.09  | 2.09  |       |

Manufacturer reserves the right to change, at any time, specifications and designs without notice and without obligations.

COOLING PERFORMANCE - 18K (Sheet 2 of 4)

| AIRFLOW<br>(CFM) | OUTDOOR<br>DB(F) | ID WB(F)<br>ID DB(F) | 60.8  |       |       |       | 64.4  |       |       |       | 66.2  |       |       |       | 71.6  |       |       |       |
|------------------|------------------|----------------------|-------|-------|-------|-------|-------|-------|-------|-------|-------|-------|-------|-------|-------|-------|-------|-------|
|                  |                  |                      | 73.4  | 77.0  | 80.6  | 84.2  | 73.4  | 77.0  | 80.6  | 84.2  | 73.4  | 77.0  | 80.6  | 84.2  | 73.4  | 77.0  | 80.6  | 84.2  |
|                  |                  |                      |       |       |       |       |       |       |       |       |       |       |       |       |       |       |       |       |
| 530              | -22              | TC                   | 19505 | 19713 | 19922 | 20131 | 20392 | 20392 | 20392 | 20598 | 20886 | 20886 | 20886 | 20886 | 22062 | 22062 | 22062 | 22062 |
|                  |                  | S/T                  | 0.74  | 0.85  | 0.97  | 1.00  | 0.58  | 0.68  | 0.78  | 0.87  | 0.50  | 0.60  | 0.69  | 0.80  | 0.32  | 0.42  | 0.51  | 0.60  |
|                  |                  | PI                   | 1.36  | 1.37  | 1.37  | 1.36  | 1.37  | 1.37  | 1.37  | 1.37  | 1.37  | 1.37  | 1.37  | 1.37  | 1.37  | 1.37  | 1.37  | 1.37  |
|                  | -10              | TC                   | 19361 | 19568 | 19775 | 19982 | 20276 | 20276 | 20276 | 20481 | 20781 | 20781 | 20781 | 20781 | 21995 | 21995 | 21995 | 21995 |
|                  |                  | S/T                  | 0.75  | 0.85  | 0.97  | 1.00  | 0.58  | 0.68  | 0.79  | 0.88  | 0.51  | 0.60  | 0.70  | 0.80  | 0.33  | 0.42  | 0.52  | 0.60  |
|                  |                  | PI                   | 1.23  | 1.24  | 1.24  | 1.23  | 1.23  | 1.23  | 1.23  | 1.23  | 1.23  | 1.23  | 1.23  | 1.23  | 1.24  | 1.24  | 1.24  | 1.24  |
|                  | 0                | TC                   | 19241 | 19446 | 19652 | 19858 | 20180 | 20180 | 20180 | 20384 | 20694 | 20694 | 20694 | 20694 | 21940 | 21940 | 21940 | 21940 |
|                  |                  | S/T                  | 0.75  | 0.86  | 0.98  | 1.00  | 0.59  | 0.68  | 0.79  | 0.89  | 0.51  | 0.61  | 0.70  | 0.81  | 0.33  | 0.42  | 0.52  | 0.61  |
|                  |                  | PI                   | 1.17  | 1.17  | 1.17  | 1.17  | 1.17  | 1.17  | 1.17  | 1.17  | 1.17  | 1.17  | 1.17  | 1.17  | 1.18  | 1.18  | 1.18  | 1.18  |
|                  | 5                | TC                   | 19184 | 19390 | 19595 | 19800 | 20143 | 20143 | 20143 | 20346 | 20663 | 20663 | 20663 | 20663 | 21925 | 21925 | 21925 | 21925 |
|                  |                  | S/T                  | 0.75  | 0.86  | 0.98  | 1.00  | 0.59  | 0.69  | 0.79  | 0.89  | 0.51  | 0.61  | 0.70  | 0.81  | 0.33  | 0.42  | 0.52  | 0.61  |
|                  |                  | PI                   | 1.10  | 1.10  | 1.10  | 1.10  | 1.10  | 1.10  | 1.10  | 1.10  | 1.10  | 1.10  | 1.10  | 1.10  | 1.10  | 1.10  | 1.10  | 1.10  |
|                  | 14               | TC                   | 19071 | 19275 | 19479 | 19683 | 20030 | 20030 | 20030 | 20232 | 20560 | 20560 | 20560 | 20560 | 21851 | 21851 | 21851 | 21851 |
|                  |                  | S/T                  | 0.76  | 0.86  | 0.99  | 1.00  | 0.59  | 0.69  | 0.80  | 0.89  | 0.51  | 0.61  | 0.71  | 0.82  | 0.33  | 0.43  | 0.52  | 0.61  |
|                  |                  | PI                   | 1.10  | 1.10  | 1.10  | 1.10  | 1.09  | 1.09  | 1.09  | 1.09  | 1.09  | 1.09  | 1.09  | 1.09  | 1.10  | 1.10  | 1.10  | 1.10  |
|                  | 23               | TC                   | 18957 | 19160 | 19362 | 19565 | 19954 | 19954 | 19954 | 20156 | 20484 | 20484 | 20484 | 20484 | 21795 | 21795 | 21795 | 21795 |
|                  |                  | S/T                  | 0.76  | 0.87  | 0.99  | 1.00  | 0.59  | 0.69  | 0.80  | 0.90  | 0.52  | 0.61  | 0.71  | 0.82  | 0.33  | 0.43  | 0.53  | 0.61  |
|                  |                  | PI                   | 1.10  | 1.10  | 1.10  | 1.10  | 1.09  | 1.09  | 1.09  | 1.09  | 1.09  | 1.09  | 1.09  | 1.09  | 1.10  | 1.10  | 1.10  | 1.10  |
|                  | 32               | TC                   | 18862 | 19064 | 19266 | 19467 | 19879 | 19879 | 19879 | 20080 | 20428 | 20428 | 20428 | 20428 | 21776 | 21776 | 21776 | 21776 |
|                  |                  | S/T                  | 0.76  | 0.87  | 1.00  | 1.00  | 0.60  | 0.70  | 0.80  | 0.90  | 0.52  | 0.62  | 0.72  | 0.82  | 0.33  | 0.43  | 0.53  | 0.62  |
|                  |                  | PI                   | 1.10  | 1.10  | 1.10  | 1.10  | 1.10  | 1.10  | 1.10  | 1.10  | 1.10  | 1.10  | 1.10  | 1.10  | 1.11  | 1.11  | 1.11  | 1.11  |
|                  | 41               | TC                   | 18767 | 18968 | 19169 | 19370 | 19803 | 19803 | 19803 | 20003 | 20362 | 20362 | 20362 | 20362 | 21758 | 21758 | 21758 | 21758 |
|                  |                  | S/T                  | 0.77  | 0.88  | 1.00  | 1.00  | 0.60  | 0.70  | 0.81  | 0.91  | 0.52  | 0.62  | 0.72  | 0.83  | 0.33  | 0.43  | 0.53  | 0.62  |
|                  |                  | PI                   | 1.11  | 1.11  | 1.11  | 1.11  | 1.11  | 1.11  | 1.11  | 1.11  | 1.11  | 1.11  | 1.11  | 1.11  | 1.11  | 1.11  | 1.11  | 1.11  |
|                  | 50               | TC                   | 18654 | 18853 | 19053 | 19252 | 19709 | 19709 | 19709 | 19908 | 20277 | 20277 | 20277 | 20277 | 21702 | 21702 | 21702 | 21702 |
|                  |                  | S/T                  | 0.77  | 0.88  | 1.00  | 1.00  | 0.60  | 0.70  | 0.81  | 0.91  | 0.52  | 0.62  | 0.72  | 0.83  | 0.34  | 0.44  | 0.53  | 0.62  |
|                  |                  | PI                   | 1.13  | 1.13  | 1.13  | 1.13  | 1.12  | 1.12  | 1.12  | 1.12  | 1.12  | 1.12  | 1.12  | 1.12  | 1.13  | 1.13  | 1.13  | 1.13  |
|                  | 59               | TC                   | 18502 | 18700 | 18898 | 19096 | 19577 | 19577 | 19577 | 19775 | 20154 | 20154 | 20154 | 20154 | 21609 | 21609 | 21609 | 21609 |
|                  |                  | S/T                  | 0.78  | 0.89  | 0.99  | 1.00  | 0.61  | 0.71  | 0.82  | 0.92  | 0.53  | 0.63  | 0.73  | 0.84  | 0.34  | 0.44  | 0.54  | 0.63  |
|                  |                  | PI                   | 1.16  | 1.16  | 1.16  | 1.16  | 1.15  | 1.15  | 1.15  | 1.15  | 1.15  | 1.15  | 1.15  | 1.15  | 1.15  | 1.15  | 1.15  | 1.15  |
|                  | 68               | TC                   | 18293 | 18489 | 18685 | 18880 | 19370 | 19370 | 19370 | 19565 | 19957 | 19957 | 19957 | 19957 | 21424 | 21424 | 21424 | 21424 |
|                  |                  | S/T                  | 0.78  | 0.89  | 0.99  | 1.00  | 0.61  | 0.71  | 0.82  | 0.92  | 0.53  | 0.63  | 0.73  | 0.84  | 0.34  | 0.44  | 0.54  | 0.63  |
|                  |                  | PI                   | 1.20  | 1.20  | 1.20  | 1.20  | 1.19  | 1.19  | 1.19  | 1.19  | 1.19  | 1.19  | 1.19  | 1.19  | 1.19  | 1.19  | 1.19  | 1.19  |
|                  | 77               | TC                   | 17413 | 17609 | 17804 | 18000 | 18489 | 18489 | 18489 | 18685 | 19076 | 19076 | 19076 | 19076 | 20543 | 20543 | 20543 | 20543 |
|                  |                  | S/T                  | 0.79  | 0.91  | 1.00  | 1.00  | 0.62  | 0.73  | 0.84  | 0.94  | 0.53  | 0.64  | 0.75  | 0.86  | 0.34  | 0.44  | 0.54  | 0.64  |
|                  |                  | PI                   | 1.32  | 1.32  | 1.32  | 1.32  | 1.32  | 1.32  | 1.32  | 1.32  | 1.32  | 1.32  | 1.32  | 1.32  | 1.32  | 1.32  | 1.32  | 1.32  |
|                  | 86               | TC                   | 16630 | 16826 | 17022 | 17217 | 17707 | 17707 | 17707 | 17902 | 18196 | 18196 | 18196 | 18196 | 19663 | 19663 | 19663 | 19663 |
|                  |                  | S/T                  | 0.81  | 0.93  | 1.00  | 1.00  | 0.62  | 0.74  | 0.85  | 0.97  | 0.54  | 0.65  | 0.76  | 0.88  | 0.34  | 0.44  | 0.55  | 0.65  |
|                  |                  | PI                   | 1.44  | 1.44  | 1.44  | 1.44  | 1.44  | 1.44  | 1.44  | 1.44  | 1.45  | 1.45  | 1.45  | 1.45  | 1.45  | 1.45  | 1.45  | 1.45  |
|                  | 95               | TC                   | 15750 | 15946 | 16141 | 16337 | 16826 | 16826 | 16826 | 17022 | 17315 | 17315 | 17609 | 17804 | 18685 | 18685 | 18685 | 18685 |
|                  |                  | S/T                  | 0.83  | 0.95  | 1.00  | 1.00  | 0.63  | 0.75  | 0.88  | 0.99  | 0.54  | 0.66  | 0.77  | 0.89  | 0.34  | 0.45  | 0.56  | 0.67  |
|                  |                  | PI                   | 1.58  | 1.58  | 1.58  | 1.58  | 1.58  | 1.58  | 1.58  | 1.58  | 1.59  | 1.59  | 1.59  | 1.59  | 1.59  | 1.59  | 1.59  | 1.59  |
|                  | 104              | TC                   | 14813 | 14964 | 15115 | 15266 | 15798 | 15798 | 15886 | 16081 | 16285 | 16285 | 16445 | 16640 | 17606 | 17606 | 17606 | 17606 |
|                  |                  | S/T                  | 0.86  | 1.00  | 1.00  | 1.00  | 0.65  | 0.78  | 0.91  | 1.00  | 0.55  | 0.68  | 0.81  | 0.93  | 0.33  | 0.45  | 0.57  | 0.69  |
|                  |                  | PI                   | 1.74  | 1.74  | 1.74  | 1.74  | 1.74  | 1.74  | 1.74  | 1.74  | 1.75  | 1.75  | 1.75  | 1.75  | 1.76  | 1.76  | 1.76  | 1.76  |
|                  | 115              | TC                   | 13750 | 13847 | 13945 | 14042 | 14627 | 14627 | 14822 | 15017 | 15115 | 15115 | 15115 | 15310 | 16383 | 16383 | 16383 | 16383 |
|                  |                  | S/T                  | 0.88  | 1.00  | 1.00  | 1.00  | 0.66  | 0.80  | 0.93  | 1.00  | 0.56  | 0.69  | 0.83  | 0.96  | 0.33  | 0.45  | 0.58  | 0.70  |
|                  |                  | PI                   | 1.93  | 1.93  | 1.93  | 1.93  | 1.94  | 1.94  | 1.94  | 1.94  | 1.95  | 1.95  | 1.95  | 1.95  | 1.96  | 1.96  | 1.96  | 1.96  |
| 122              | TC               | 12872                | 12970 | 13067 | 13165 | 13750 | 13750 | 13847 | 13945 | 14237 | 14237 | 14237 | 14335 | 15407 | 15407 | 15407 | 15407 |       |
|                  | S/T              | 0.90                 | 1.00  | 1.00  | 1.00  | 0.67  | 0.82  | 0.97  | 1.00  | 0.57  | 0.71  | 0.85  | 0.99  | 0.32  | 0.46  | 0.59  | 0.91  |       |
|                  | PI               | 2.10                 | 2.10  | 2.10  | 2.10  | 2.11  | 2.11  | 2.11  | 2.11  | 2.11  | 2.11  | 2.11  | 2.11  | 2.13  | 2.13  | 2.13  | 2.13  |       |

COOLING PERFORMANCE - 18K (Sheet 3 of 4)

| AIRFLOW<br>(CFM) | OUTDOOR<br>DB(F) | ID<br>WB(F)<br>ID DB(F) | 60.8  |       |       |       | 64.4  |       |       |       | 66.2  |       |       |       | 71.6  |       |       |       |
|------------------|------------------|-------------------------|-------|-------|-------|-------|-------|-------|-------|-------|-------|-------|-------|-------|-------|-------|-------|-------|
|                  |                  |                         | 73.4  | 77.0  | 80.6  | 84.2  | 73.4  | 77.0  | 80.6  | 84.2  | 73.4  | 77.0  | 80.6  | 84.2  | 73.4  | 77.0  | 80.6  | 84.2  |
|                  |                  |                         |       |       |       |       |       |       |       |       |       |       |       |       |       |       |       |       |
| 577              | -22              | TC                      | 19922 | 20131 | 20339 | 20548 | 20907 | 20907 | 20907 | 21113 | 21397 | 21397 | 21397 | 21397 | 22566 | 22566 | 22566 | 22566 |
|                  |                  | S/T                     | 0.76  | 0.87  | 1.00  | 1.00  | 0.59  | 0.69  | 0.80  | 0.96  | 0.50  | 0.61  | 0.71  | 0.82  | 0.32  | 0.42  | 0.51  | 0.62  |
|                  |                  | PI                      | 1.36  | 1.37  | 1.37  | 1.36  | 1.37  | 1.37  | 1.37  | 1.37  | 1.37  | 1.37  | 1.37  | 1.37  | 1.37  | 1.37  | 1.37  | 1.37  |
|                  | -10              | TC                      | 19775 | 19982 | 20189 | 20396 | 20788 | 20788 | 20788 | 20993 | 21291 | 21291 | 21291 | 21291 | 22497 | 22497 | 22497 | 22497 |
|                  |                  | S/T                     | 0.77  | 0.87  | 1.00  | 1.00  | 0.59  | 0.70  | 0.80  | 0.97  | 0.51  | 0.61  | 0.72  | 0.82  | 0.33  | 0.42  | 0.52  | 0.62  |
|                  |                  | PI                      | 1.23  | 1.24  | 1.24  | 1.23  | 1.23  | 1.23  | 1.23  | 1.23  | 1.23  | 1.23  | 1.23  | 1.23  | 1.24  | 1.24  | 1.24  | 1.24  |
|                  | 0                | TC                      | 19652 | 19858 | 20064 | 20270 | 20689 | 20689 | 20689 | 20893 | 21202 | 21202 | 21202 | 21202 | 22440 | 22440 | 22440 | 22440 |
|                  |                  | S/T                     | 0.77  | 0.88  | 1.00  | 1.00  | 0.60  | 0.70  | 0.81  | 0.97  | 0.51  | 0.62  | 0.72  | 0.83  | 0.33  | 0.42  | 0.52  | 0.63  |
|                  |                  | PI                      | 1.19  | 1.19  | 1.19  | 1.19  | 1.20  | 1.20  | 1.20  | 1.20  | 1.19  | 1.19  | 1.19  | 1.19  | 1.20  | 1.20  | 1.20  | 1.20  |
|                  | 5                | TC                      | 19595 | 19800 | 20005 | 20210 | 20651 | 20651 | 20651 | 20855 | 21170 | 21170 | 21170 | 21170 | 22425 | 22425 | 22425 | 22425 |
|                  |                  | S/T                     | 0.77  | 0.88  | 1.00  | 1.00  | 0.60  | 0.70  | 0.81  | 0.98  | 0.51  | 0.62  | 0.72  | 0.83  | 0.33  | 0.42  | 0.52  | 0.63  |
|                  |                  | PI                      | 1.12  | 1.12  | 1.12  | 1.12  | 1.12  | 1.12  | 1.12  | 1.12  | 1.12  | 1.12  | 1.12  | 1.12  | 1.12  | 1.12  | 1.12  | 1.12  |
|                  | 14               | TC                      | 19479 | 19683 | 19887 | 20091 | 20535 | 20535 | 20535 | 20738 | 21063 | 21063 | 21063 | 21063 | 22349 | 22349 | 22349 | 22349 |
|                  |                  | S/T                     | 0.78  | 0.88  | 1.00  | 1.00  | 0.60  | 0.71  | 0.82  | 0.98  | 0.51  | 0.62  | 0.73  | 0.83  | 0.33  | 0.43  | 0.52  | 0.63  |
|                  |                  | PI                      | 1.12  | 1.12  | 1.12  | 1.12  | 1.12  | 1.12  | 1.12  | 1.12  | 1.11  | 1.11  | 1.11  | 1.11  | 1.12  | 1.12  | 1.12  | 1.12  |
|                  | 23               | TC                      | 19362 | 19565 | 19768 | 19971 | 20458 | 20458 | 20458 | 20660 | 20986 | 20986 | 20986 | 20986 | 22292 | 22292 | 22292 | 22292 |
|                  |                  | S/T                     | 0.78  | 0.89  | 1.00  | 1.00  | 0.60  | 0.71  | 0.82  | 0.99  | 0.52  | 0.62  | 0.73  | 0.84  | 0.33  | 0.43  | 0.53  | 0.63  |
|                  |                  | PI                      | 1.11  | 1.11  | 1.11  | 1.11  | 1.12  | 1.12  | 1.12  | 1.12  | 1.11  | 1.11  | 1.11  | 1.11  | 1.12  | 1.12  | 1.12  | 1.12  |
|                  | 32               | TC                      | 19266 | 19467 | 19669 | 19871 | 20381 | 20381 | 20381 | 20582 | 20928 | 20928 | 20928 | 20928 | 22274 | 22274 | 22274 | 22274 |
|                  |                  | S/T                     | 0.78  | 0.89  | 1.00  | 1.00  | 0.61  | 0.72  | 0.82  | 0.99  | 0.52  | 0.63  | 0.74  | 0.84  | 0.33  | 0.43  | 0.53  | 0.64  |
|                  |                  | PI                      | 1.12  | 1.12  | 1.12  | 1.12  | 1.12  | 1.12  | 1.12  | 1.12  | 1.12  | 1.12  | 1.12  | 1.12  | 1.13  | 1.13  | 1.13  | 1.13  |
|                  | 41               | TC                      | 19169 | 19370 | 19570 | 19771 | 20303 | 20303 | 20303 | 20503 | 20861 | 20861 | 20861 | 20861 | 22255 | 22255 | 22255 | 22255 |
|                  |                  | S/T                     | 0.79  | 0.90  | 1.00  | 1.00  | 0.61  | 0.72  | 0.83  | 1.00  | 0.52  | 0.63  | 0.74  | 0.85  | 0.33  | 0.43  | 0.53  | 0.64  |
|                  |                  | PI                      | 1.13  | 1.13  | 1.13  | 1.13  | 1.13  | 1.13  | 1.13  | 1.13  | 1.13  | 1.13  | 1.13  | 1.13  | 1.13  | 1.13  | 1.13  | 1.13  |
|                  | 50               | TC                      | 19053 | 19252 | 19452 | 19651 | 20207 | 20207 | 20207 | 20406 | 20774 | 20774 | 20774 | 20774 | 22198 | 22198 | 22198 | 22198 |
|                  |                  | S/T                     | 0.79  | 0.90  | 1.00  | 1.00  | 0.61  | 0.72  | 0.83  | 1.00  | 0.52  | 0.63  | 0.74  | 0.85  | 0.34  | 0.44  | 0.53  | 0.64  |
|                  |                  | PI                      | 1.15  | 1.15  | 1.15  | 1.15  | 1.15  | 1.15  | 1.15  | 1.15  | 1.14  | 1.14  | 1.14  | 1.14  | 1.15  | 1.15  | 1.15  | 1.15  |
|                  | 59               | TC                      | 18898 | 19096 | 19294 | 19491 | 20071 | 20071 | 20071 | 20269 | 20648 | 20648 | 20648 | 20648 | 22103 | 22103 | 22103 | 22103 |
|                  |                  | S/T                     | 0.80  | 0.91  | 1.00  | 1.00  | 0.62  | 0.73  | 0.84  | 0.95  | 0.53  | 0.64  | 0.75  | 0.86  | 0.34  | 0.44  | 0.54  | 0.65  |
|                  |                  | PI                      | 1.18  | 1.18  | 1.18  | 1.18  | 1.18  | 1.18  | 1.18  | 1.18  | 1.17  | 1.17  | 1.17  | 1.17  | 1.17  | 1.17  | 1.17  | 1.17  |
|                  | 68               | TC                      | 18685 | 18880 | 19076 | 19272 | 19859 | 19859 | 19859 | 20054 | 20446 | 20446 | 20446 | 20446 | 21913 | 21913 | 21913 | 21913 |
|                  |                  | S/T                     | 0.80  | 0.91  | 1.00  | 1.00  | 0.62  | 0.73  | 0.84  | 0.95  | 0.53  | 0.64  | 0.75  | 0.86  | 0.34  | 0.44  | 0.54  | 0.65  |
|                  |                  | PI                      | 1.22  | 1.22  | 1.22  | 1.22  | 1.22  | 1.22  | 1.22  | 1.22  | 1.21  | 1.21  | 1.21  | 1.21  | 1.21  | 1.21  | 1.21  | 1.21  |
|                  | 77               | TC                      | 17804 | 18000 | 18196 | 18391 | 18978 | 18978 | 18978 | 19174 | 19565 | 19565 | 19565 | 19565 | 21033 | 21033 | 21033 | 21033 |
|                  |                  | S/T                     | 0.81  | 0.93  | 1.00  | 1.00  | 0.62  | 0.74  | 0.86  | 0.97  | 0.54  | 0.65  | 0.77  | 0.88  | 0.34  | 0.44  | 0.55  | 0.66  |
|                  |                  | PI                      | 1.35  | 1.35  | 1.35  | 1.35  | 1.35  | 1.35  | 1.35  | 1.35  | 1.35  | 1.35  | 1.35  | 1.35  | 1.35  | 1.35  | 1.35  | 1.35  |
| 86               | TC               | 17022                   | 17217 | 17413 | 17609 | 18098 | 18098 | 18098 | 18293 | 18587 | 18587 | 18587 | 18783 | 20054 | 20054 | 20054 | 20054 |       |
|                  | S/T              | 0.83                    | 0.96  | 1.00  | 1.00  | 0.63  | 0.76  | 0.88  | 1.00  | 0.54  | 0.66  | 0.78  | 0.90  | 0.33  | 0.45  | 0.56  | 0.67  |       |
|                  | PI               | 1.47                    | 1.47  | 1.47  | 1.47  | 1.47  | 1.47  | 1.47  | 1.47  | 1.47  | 1.47  | 1.47  | 1.47  | 1.48  | 1.48  | 1.48  | 1.48  |       |
| 95               | TC               | 16141                   | 16337 | 16533 | 16728 | 17217 | 17217 | 17413 | 17609 | 17707 | 17707 | 18000 | 18196 | 19076 | 19076 | 19076 | 19076 |       |
|                  | S/T              | 0.85                    | 0.98  | 1.00  | 1.00  | 0.64  | 0.77  | 0.90  | 1.00  | 0.55  | 0.67  | 0.80  | 0.91  | 0.33  | 0.45  | 0.57  | 0.68  |       |
|                  | PI               | 1.61                    | 1.61  | 1.61  | 1.61  | 1.61  | 1.61  | 1.61  | 1.61  | 1.62  | 1.62  | 1.62  | 1.62  | 1.63  | 1.63  | 1.63  | 1.63  |       |
| 104              | TC               | 15159                   | 15310 | 15461 | 15611 | 16188 | 16188 | 16383 | 16578 | 16675 | 16675 | 16835 | 17030 | 17996 | 17996 | 17996 | 17996 |       |
|                  | S/T              | 0.89                    | 1.00  | 1.00  | 1.00  | 0.66  | 0.81  | 0.94  | 1.00  | 0.56  | 0.70  | 0.84  | 0.97  | 0.33  | 0.45  | 0.58  | 0.90  |       |
|                  | PI               | 1.77                    | 1.77  | 1.77  | 1.77  | 1.78  | 1.78  | 1.78  | 1.78  | 1.79  | 1.79  | 1.79  | 1.79  | 1.80  | 1.80  | 1.80  | 1.80  |       |
| 115              | TC               | 14042                   | 14140 | 14237 | 14335 | 15017 | 15017 | 15212 | 15407 | 15505 | 15505 | 15505 | 15700 | 16773 | 16773 | 16773 | 16773 |       |
|                  | S/T              | 0.90                    | 1.00  | 1.00  | 1.00  | 0.67  | 0.82  | 0.96  | 1.00  | 0.57  | 0.71  | 0.85  | 0.99  | 0.32  | 0.46  | 0.59  | 0.92  |       |
|                  | PI               | 1.97                    | 1.97  | 1.97  | 1.97  | 1.98  | 1.98  | 1.98  | 1.98  | 1.99  | 1.99  | 1.99  | 1.99  | 2.00  | 2.00  | 2.00  | 2.00  |       |
| 122              | TC               | 13165                   | 13262 | 13360 | 13457 | 14042 | 14042 | 14140 | 14237 | 14530 | 14530 | 14530 | 14627 | 15798 | 15798 | 15798 | 15798 |       |
|                  | S/T              | 0.93                    | 1.00  | 1.00  | 1.00  | 0.69  | 0.85  | 1.00  | 1.00  | 0.58  | 0.73  | 0.88  | 1.00  | 0.32  | 0.46  | 0.60  | 0.97  |       |
|                  | PI               | 2.14                    | 2.14  | 2.14  | 2.14  | 2.15  | 2.15  | 2.15  | 2.15  | 2.15  | 2.15  | 2.15  | 2.15  | 2.15  | 2.17  | 2.17  | 2.17  | 2.17  |

COOLING PERFORMANCE - 18K (Sheet 4 of 4)

| AIRFLOW<br>(CFM) | OUTDOOR<br>DB(F) | ID<br>WB(F) | 60.8        |       |       |       | 64.4  |       |       |       | 66.2  |       |       |       | 71.6  |       |       |       |       |       |       |      |      |      |      |      |      |      |      |      |      |      |      |      |      |      |      |      |      |      |      |      |      |      |      |      |      |      |      |      |      |      |      |      |
|------------------|------------------|-------------|-------------|-------|-------|-------|-------|-------|-------|-------|-------|-------|-------|-------|-------|-------|-------|-------|-------|-------|-------|------|------|------|------|------|------|------|------|------|------|------|------|------|------|------|------|------|------|------|------|------|------|------|------|------|------|------|------|------|------|------|------|------|
|                  |                  |             | ID<br>DB(F) | 73.4  | 77.0  | 80.6  | 84.2  | 73.4  | 77.0  | 80.6  | 84.2  | 73.4  | 77.0  | 80.6  | 84.2  | 73.4  | 77.0  | 80.6  | 84.2  |       |       |      |      |      |      |      |      |      |      |      |      |      |      |      |      |      |      |      |      |      |      |      |      |      |      |      |      |      |      |      |      |      |      |      |
|                  |                  |             | 618         | -22   | TC    | 20348 | 20557 | 20765 | 20974 | 21435 | 21435 | 21435 | 21641 | 21922 | 21922 | 21922 | 21922 | 23081 | 23081 | 23081 | 23081 | S/T  | 0.78 | 0.88 | 1.00 | 1.00 | 0.60 | 0.71 | 0.82 | 1.00 | 0.50 | 0.62 | 0.73 | 0.84 | 0.32 | 0.42 | 0.51 | 0.64 | PI   | 1.14 | 1.14 | 1.14 | 1.14 | 1.15 | 1.15 | 1.15 | 1.15 | 1.13 | 1.13 | 1.13 | 1.13 | 1.13 | 1.13 | 1.13 |
|                  | -10              | TC          | 20198       | 20405 | 20612 | 20819 | 21313 | 21313 | 21313 | 21518 | 21812 | 21812 | 21812 | 21812 | 23011 | 23011 | 23011 | 23011 | S/T   | 0.79  | 0.89  | 1.00 | 1.00 | 0.60 | 0.72 | 0.82 | 1.00 | 0.51 | 0.62 | 0.74 | 0.84 | 0.33 | 0.42 | 0.52 | 0.64 | PI   | 1.14 | 1.14 | 1.14 | 1.14 | 1.15 | 1.15 | 1.15 | 1.15 | 1.13 | 1.13 | 1.13 | 1.13 | 1.13 | 1.13 | 1.13 | 1.13 | 1.13 |      |
|                  | 0                | TC          | 20073       | 20278 | 20484 | 20690 | 21212 | 21212 | 21212 | 21415 | 21721 | 21721 | 21721 | 21721 | 22953 | 22953 | 22953 | 22953 | S/T   | 0.79  | 0.90  | 1.00 | 1.00 | 0.61 | 0.72 | 0.83 | 1.00 | 0.51 | 0.63 | 0.74 | 0.85 | 0.33 | 0.42 | 0.52 | 0.65 | PI   | 1.14 | 1.14 | 1.14 | 1.14 | 1.15 | 1.15 | 1.15 | 1.15 | 1.13 | 1.13 | 1.13 | 1.13 | 1.13 | 1.13 | 1.13 | 1.13 | 1.13 |      |
|                  | 5                | TC          | 20014       | 20219 | 20424 | 20629 | 21173 | 21173 | 21173 | 21376 | 21689 | 21689 | 21689 | 21689 | 22937 | 22937 | 22937 | 22937 | S/T   | 0.79  | 0.90  | 1.00 | 1.00 | 0.61 | 0.72 | 0.83 | 1.00 | 0.51 | 0.63 | 0.74 | 0.85 | 0.33 | 0.42 | 0.52 | 0.65 | PI   | 1.14 | 1.14 | 1.14 | 1.14 | 1.15 | 1.15 | 1.15 | 1.15 | 1.13 | 1.13 | 1.13 | 1.13 | 1.14 | 1.14 | 1.14 | 1.14 | 1.14 |      |
|                  |                  | 14          | TC          | 19895 | 20099 | 20303 | 20507 | 21054 | 21054 | 21054 | 21256 | 21580 | 21580 | 21580 | 21580 | 22860 | 22860 | 22860 | 22860 | S/T   | 0.80  | 0.90 | 1.00 | 1.00 | 0.61 | 0.73 | 0.83 | 1.00 | 0.51 | 0.63 | 0.75 | 0.85 | 0.33 | 0.43 | 0.52 | 0.65 | PI   | 1.13 | 1.13 | 1.13 | 1.13 | 1.15 | 1.15 | 1.15 | 1.15 | 1.13 | 1.13 | 1.13 | 1.13 | 1.14 | 1.14 | 1.14 | 1.14 | 1.14 |
|                  |                  |             | 23          | TC    | 19777 | 19979 | 20182 | 20385 | 20975 | 20975 | 20975 | 21176 | 21501 | 21501 | 21501 | 21501 | 22801 | 22801 | 22801 | 22801 | S/T   | 0.80 | 0.91 | 1.00 | 1.00 | 0.61 | 0.73 | 0.84 | 1.00 | 0.52 | 0.63 | 0.75 | 0.86 | 0.33 | 0.43 | 0.53 | 0.65 | PI   | 1.13 | 1.13 | 1.13 | 1.13 | 1.15 | 1.15 | 1.15 | 1.15 | 1.13 | 1.13 | 1.13 | 1.13 | 1.14 | 1.14 | 1.14 | 1.14 |
|                  | 32               |             |             | TC    | 19678 | 19879 | 20081 | 20283 | 20895 | 20895 | 20895 | 21096 | 21441 | 21441 | 21441 | 21441 | 22782 | 22782 | 22782 | 22782 | S/T   | 0.80 | 0.91 | 1.00 | 1.00 | 0.62 | 0.74 | 0.84 | 1.00 | 0.52 | 0.64 | 0.76 | 0.86 | 0.33 | 0.43 | 0.53 | 0.66 | PI   | 1.14 | 1.14 | 1.14 | 1.14 | 1.15 | 1.15 | 1.15 | 1.15 | 1.14 | 1.14 | 1.14 | 1.14 | 1.14 | 1.14 | 1.14 | 1.14 |
|                  |                  | 41          |             | TC    | 19579 | 19780 | 19980 | 20181 | 20816 | 20816 | 20816 | 21016 | 21372 | 21372 | 21372 | 21372 | 22763 | 22763 | 22763 | 22763 | S/T   | 0.81 | 0.92 | 0.99 | 0.99 | 0.62 | 0.74 | 0.85 | 1.00 | 0.52 | 0.64 | 0.76 | 0.87 | 0.33 | 0.43 | 0.53 | 0.66 | PI   | 1.15 | 1.15 | 1.15 | 1.15 | 1.16 | 1.16 | 1.16 | 1.16 | 1.14 | 1.14 | 1.14 | 1.14 | 1.15 | 1.15 | 1.15 | 1.15 |
|                  |                  |             | 50          | TC    | 19460 | 19660 | 19859 | 20058 | 20717 | 20717 | 20717 | 20916 | 21283 | 21283 | 21283 | 21283 | 22704 | 22704 | 22704 | 22704 | S/T   | 0.81 | 0.92 | 1.00 | 1.00 | 0.62 | 0.74 | 0.85 | 1.00 | 0.52 | 0.64 | 0.76 | 0.87 | 0.34 | 0.44 | 0.53 | 0.66 | PI   | 1.17 | 1.17 | 1.17 | 1.17 | 1.18 | 1.18 | 1.18 | 1.18 | 1.16 | 1.16 | 1.16 | 1.16 | 1.17 | 1.17 | 1.17 | 1.17 |
|                  | 59               |             |             | TC    | 19302 | 19500 | 19698 | 19895 | 20578 | 20578 | 20578 | 20776 | 21154 | 21154 | 21154 | 21154 | 22607 | 22607 | 22607 | 22607 | S/T   | 0.82 | 0.93 | 1.00 | 1.00 | 0.63 | 0.75 | 0.86 | 0.98 | 0.53 | 0.65 | 0.77 | 0.88 | 0.34 | 0.44 | 0.54 | 0.67 | PI   | 1.20 | 1.20 | 1.20 | 1.20 | 1.21 | 1.21 | 1.21 | 1.21 | 1.19 | 1.19 | 1.19 | 1.19 | 1.19 | 1.19 | 1.19 | 1.19 |
|                  |                  | 68          |             | TC    | 19084 | 19280 | 19476 | 19671 | 20360 | 20360 | 20360 | 20556 | 20947 | 20947 | 20947 | 20947 | 22413 | 22413 | 22413 | 22413 | S/T   | 0.82 | 0.93 | 1.00 | 1.00 | 0.63 | 0.75 | 0.86 | 0.98 | 0.53 | 0.65 | 0.77 | 0.88 | 0.34 | 0.44 | 0.54 | 0.67 | PI   | 1.24 | 1.24 | 1.24 | 1.24 | 1.25 | 1.25 | 1.25 | 1.25 | 1.23 | 1.23 | 1.23 | 1.23 | 1.23 | 1.23 | 1.23 | 1.23 |
|                  |                  |             | 77          | TC    | 18204 | 18400 | 18596 | 18791 | 19480 | 19480 | 19480 | 19676 | 20067 | 20067 | 20067 | 20067 | 21533 | 21533 | 21533 | 21533 | S/T   | 0.83 | 0.95 | 1.00 | 1.00 | 0.62 | 0.75 | 0.88 | 1.00 | 0.55 | 0.66 | 0.79 | 0.90 | 0.34 | 0.44 | 0.56 | 0.68 | PI   | 1.38 | 1.38 | 1.38 | 1.38 | 1.38 | 1.38 | 1.38 | 1.38 | 1.38 | 1.38 | 1.38 | 1.38 | 1.38 | 1.38 | 1.38 | 1.38 |
|                  | 86               |             |             | TC    | 17422 | 17618 | 17813 | 18009 | 18498 | 18498 | 18498 | 18693 | 18987 | 18987 | 18987 | 18987 | 19388 | 20453 | 20453 | 20453 | S/T   | 0.85 | 0.99 | 1.00 | 1.00 | 0.64 | 0.78 | 0.91 | 1.00 | 0.54 | 0.67 | 0.80 | 0.92 | 0.32 | 0.46 | 0.57 | 0.69 | PI   | 1.50 | 1.50 | 1.50 | 1.50 | 1.50 | 1.50 | 1.50 | 1.50 | 1.49 | 1.49 | 1.49 | 1.49 | 1.51 | 1.51 | 1.51 | 1.51 |
|                  |                  | 95          |             | TC    | 16542 | 16738 | 16933 | 17129 | 17618 | 17618 | 18020 | 18216 | 18107 | 18107 | 18107 | 18107 | 18400 | 18596 | 19476 | 19476 | S/T   | 0.87 | 1.00 | 1.00 | 1.00 | 0.65 | 0.79 | 0.92 | 1.00 | 0.56 | 0.68 | 0.83 | 0.93 | 0.32 | 0.45 | 0.58 | 0.69 | PI   | 1.64 | 1.64 | 1.64 | 1.64 | 1.64 | 1.64 | 1.64 | 1.64 | 1.65 | 1.65 | 1.65 | 1.65 | 1.67 | 1.67 | 1.67 | 1.67 |
|                  |                  |             | 104         | TC    | 15513 | 15664 | 15814 | 15965 | 16587 | 16587 | 16895 | 17089 | 17075 | 17075 | 17075 | 17075 | 17234 | 17429 | 18395 | 18395 | S/T   | 0.92 | 1.00 | 1.00 | 1.00 | 0.67 | 0.84 | 0.97 | 1.00 | 0.57 | 0.72 | 0.87 | 1.00 | 0.33 | 0.45 | 0.59 | 1.00 | PI   | 1.81 | 1.81 | 1.81 | 1.81 | 1.81 | 1.81 | 1.81 | 1.81 | 1.82 | 1.82 | 1.82 | 1.82 | 1.84 | 1.84 | 1.84 | 1.84 |
|                  | 115              |             |             | TC    | 14341 | 14438 | 14536 | 14633 | 15418 | 15418 | 15613 | 15808 | 15905 | 15905 | 15905 | 15905 | 16100 | 17172 | 17172 | 17172 | S/T   | 0.92 | 1.00 | 1.00 | 1.00 | 0.68 | 0.84 | 0.99 | 1.00 | 0.58 | 0.73 | 0.87 | 1.00 | 0.31 | 0.47 | 0.60 | 1.00 | PI   | 2.01 | 2.01 | 2.01 | 2.01 | 2.02 | 2.02 | 2.02 | 2.02 | 2.03 | 2.03 | 2.03 | 2.03 | 2.04 | 2.04 | 2.04 | 2.04 |
|                  |                  | 122         |             | TC    | 13464 | 13561 | 13659 | 13756 | 14341 | 14341 | 14438 | 14536 | 14828 | 14828 | 14828 | 14828 | 14926 | 16197 | 16197 | 16197 | S/T   | 0.97 | 1.00 | 1.00 | 1.00 | 0.71 | 0.88 | 1.00 | 1.00 | 0.59 | 0.75 | 0.91 | 1.00 | 0.32 | 0.46 | 0.61 | 1.00 | PI   | 2.18 | 2.18 | 2.18 | 2.18 | 2.19 | 2.19 | 2.19 | 2.19 | 2.19 | 2.19 | 2.19 | 2.19 | 2.19 | 2.19 | 2.19 | 2.19 |

**LEGEND**  
 TC - Total Cooling Capacity (BTU/hr)  
 S/T - Sensible Cooling Capacity Ratio  
 PI - Power Input (kW)  
 Gray shaded area is Extrapolated Data

HEATING PERFORMANCE AT INDOOR DRY BULB TEMPERATURE - 18K (Sheet 1 of 2)

| AIRFLOW (CFM) | OUTDOOR DB (F) | TC: TOTAL CAPACITY IN BTU/HR |       |       |       | PI: TOTAL POWER IN KILOWATTS |      |      |      |
|---------------|----------------|------------------------------|-------|-------|-------|------------------------------|------|------|------|
|               |                | Indoor Conditions (DB F)     |       |       |       | Indoor Conditions (DB F)     |      |      |      |
|               |                | 60.8                         | 68.0  | 71.6  | 75.2  | 60.8                         | 68.0 | 71.6 | 75.2 |
| 489           | -22.0          | 8120                         | 7994  | 7931  | 7931  | 0.98                         | 1.01 | 1.01 | 1.02 |
|               | -10.0          | 9343                         | 9199  | 9126  | 9126  | 1.15                         | 1.19 | 1.19 | 1.20 |
|               | 0.0            | 10363                        | 10202 | 10122 | 10122 | 1.29                         | 1.33 | 1.33 | 1.34 |
|               | 5.0            | 10908                        | 10739 | 10654 | 10654 | 1.37                         | 1.41 | 1.41 | 1.42 |
|               | 14.0           | 11647                        | 11467 | 11376 | 11376 | 1.46                         | 1.51 | 1.51 | 1.52 |
|               | 17.0           | 12202                        | 12013 | 11918 | 11918 | 1.55                         | 1.60 | 1.60 | 1.61 |
|               | 22.0           | 12807                        | 12608 | 12509 | 12509 | 1.53                         | 1.56 | 1.58 | 1.59 |
|               | 27.0           | 13303                        | 13204 | 13105 | 13005 | 1.50                         | 1.53 | 1.55 | 1.56 |
|               | 32.0           | 13800                        | 13601 | 13502 | 13403 | 1.48                         | 1.50 | 1.52 | 1.53 |
|               | 37.0           | 14693                        | 14495 | 14395 | 14296 | 1.46                         | 1.49 | 1.50 | 1.52 |
|               | 42.0           | 16182                        | 15885 | 15785 | 15686 | 1.45                         | 1.48 | 1.49 | 1.50 |
|               | 44.6           | 17733                        | 17407 | 16912 | 16813 | 1.45                         | 1.47 | 1.49 | 1.50 |
|               | 52.0           | 18593                        | 18396 | 18297 | 18099 | 1.42                         | 1.44 | 1.45 | 1.47 |
|               | 57.0           | 19582                        | 19286 | 19187 | 18989 | 1.40                         | 1.42 | 1.43 | 1.44 |
| 62.0          | 20473          | 20176                        | 20077 | 19879 | 1.37  | 1.40                         | 1.41 | 1.42 |      |
| 64.4          | 20967          | 20670                        | 20473 | 20374 | 1.37  | 1.39                         | 1.40 | 1.41 |      |
| 530           | -22.0          | 8260                         | 8134  | 8134  | 8070  | 1.00                         | 1.03 | 1.03 | 1.03 |
|               | -10.0          | 9504                         | 9359  | 9359  | 9286  | 1.17                         | 1.20 | 1.20 | 1.21 |
|               | 0.0            | 10540                        | 10379 | 10379 | 10299 | 1.31                         | 1.35 | 1.35 | 1.36 |
|               | 5.0            | 11095                        | 10925 | 10925 | 10841 | 1.39                         | 1.43 | 1.43 | 1.44 |
|               | 14.0           | 11847                        | 11666 | 11666 | 11576 | 1.48                         | 1.53 | 1.53 | 1.54 |
|               | 17.0           | 12411                        | 12222 | 12222 | 12127 | 1.57                         | 1.62 | 1.62 | 1.63 |
|               | 22.0           | 13005                        | 12807 | 12807 | 12708 | 1.55                         | 1.58 | 1.60 | 1.61 |
|               | 27.0           | 13601                        | 13403 | 13303 | 13303 | 1.52                         | 1.55 | 1.57 | 1.58 |
|               | 32.0           | 13998                        | 13800 | 13800 | 13700 | 1.49                         | 1.52 | 1.54 | 1.55 |
|               | 37.0           | 14991                        | 14792 | 14693 | 14594 | 1.48                         | 1.51 | 1.52 | 1.54 |
|               | 42.0           | 16480                        | 16282 | 16182 | 16083 | 1.47                         | 1.50 | 1.51 | 1.52 |
|               | 44.6           | 18019                        | 17802 | 17308 | 17209 | 1.47                         | 1.49 | 1.51 | 1.52 |
|               | 52.0           | 19088                        | 18791 | 18692 | 18593 | 1.44                         | 1.46 | 1.47 | 1.49 |
|               | 57.0           | 19978                        | 19780 | 19582 | 19484 | 1.41                         | 1.44 | 1.45 | 1.46 |
| 62.0          | 20967          | 20670                        | 20571 | 20374 | 1.39  | 1.42                         | 1.43 | 1.44 |      |
| 64.4          | 21462          | 21165                        | 20967 | 20868 | 1.38  | 1.41                         | 1.42 | 1.43 |      |

HEATING PERFORMANCE AT INDOOR DRY BULB TEMPERATURE - 18K (Sheet 2 of 2)

| AIRFLOW<br>(CFM) | OUTDOOR<br>DB (F) | TC: TOTAL CAPACITY IN BTU/HR |       |       |       | PI: TOTAL POWER IN KILOWATTS |      |      |      |
|------------------|-------------------|------------------------------|-------|-------|-------|------------------------------|------|------|------|
|                  |                   | Indoor Conditions (DB F)     |       |       |       | Indoor Conditions (DB F)     |      |      |      |
|                  |                   | 60.8                         | 68.0  | 71.6  | 75.2  | 60.8                         | 68.0 | 71.6 | 75.2 |
| 577              | -22.0             | 8319                         | 8193  | 8193  | 8130  | 1.01                         | 1.04 | 1.04 | 1.05 |
|                  | -10.0             | 9572                         | 9427  | 9427  | 9354  | 1.18                         | 1.22 | 1.22 | 1.23 |
|                  | 0.0               | 10616                        | 10455 | 10455 | 10374 | 1.33                         | 1.37 | 1.37 | 1.37 |
|                  | 5.0               | 11174                        | 11005 | 11005 | 10920 | 1.40                         | 1.45 | 1.45 | 1.46 |
|                  | 14.0              | 11932                        | 11751 | 11751 | 11661 | 1.50                         | 1.54 | 1.54 | 1.55 |
|                  | 17.0              | 12500                        | 12310 | 12310 | 12216 | 1.59                         | 1.64 | 1.64 | 1.65 |
|                  | 22.0              | 13105                        | 12906 | 12906 | 12807 | 1.57                         | 1.60 | 1.62 | 1.63 |
|                  | 27.0              | 13700                        | 13601 | 13502 | 13403 | 1.54                         | 1.57 | 1.59 | 1.60 |
|                  | 32.0              | 14197                        | 13998 | 13899 | 13800 | 1.51                         | 1.54 | 1.56 | 1.57 |
|                  | 37.0              | 15190                        | 14991 | 14792 | 14693 | 1.50                         | 1.53 | 1.54 | 1.56 |
|                  | 42.0              | 16679                        | 16480 | 16381 | 16182 | 1.49                         | 1.52 | 1.53 | 1.54 |
|                  | 44.6              | 18217                        | 18000 | 17505 | 17407 | 1.48                         | 1.51 | 1.53 | 1.54 |
|                  | 52.0              | 19286                        | 18989 | 18890 | 18791 | 1.45                         | 1.48 | 1.49 | 1.51 |
|                  | 57.0              | 20275                        | 19978 | 19879 | 19681 | 1.43                         | 1.46 | 1.47 | 1.49 |
| 62.0             | 21264             | 20967                        | 20769 | 20670 | 1.41  | 1.44                         | 1.45 | 1.46 |      |
| 64.4             | 21659             | 21363                        | 21264 | 21066 | 1.40  | 1.43                         | 1.44 | 1.45 |      |
| 618              | -22.0             | 8378                         | 8252  | 8252  | 8189  | 1.58                         | 1.63 | 1.58 | 1.58 |
|                  | -10.0             | 9640                         | 9495  | 9495  | 9423  | 1.85                         | 1.91 | 1.86 | 1.86 |
|                  | 0.0               | 10692                        | 10531 | 10531 | 10450 | 2.07                         | 2.15 | 2.08 | 2.08 |
|                  | 5.0               | 11254                        | 11085 | 11085 | 11000 | 2.20                         | 2.28 | 2.21 | 2.21 |
|                  | 14.0              | 12017                        | 11836 | 11836 | 11746 | 2.34                         | 2.43 | 2.35 | 2.35 |
|                  | 17.0              | 12589                        | 12400 | 12400 | 12305 | 2.49                         | 2.58 | 2.50 | 2.50 |
|                  | 22.0              | 13205                        | 13006 | 13006 | 12907 | 2.39                         | 2.40 | 2.40 | 2.40 |
|                  | 27.0              | 13800                        | 13803 | 13703 | 13503 | 2.22                         | 2.22 | 2.21 | 2.21 |
|                  | 32.0              | 14398                        | 14200 | 13999 | 13900 | 2.06                         | 2.04 | 2.04 | 2.03 |
|                  | 37.0              | 15391                        | 15192 | 14892 | 14793 | 1.90                         | 1.88 | 1.87 | 1.86 |
|                  | 42.0              | 16880                        | 16681 | 16582 | 16282 | 1.74                         | 1.71 | 1.70 | 1.69 |
|                  | 44.6              | 18417                        | 18200 | 17706 | 17607 | 1.66                         | 1.54 | 1.62 | 1.60 |
|                  | 52.0              | 19486                        | 19189 | 19090 | 18991 | 1.42                         | 1.38 | 1.36 | 1.33 |
|                  | 57.0              | 20576                        | 20178 | 20180 | 19881 | 1.25                         | 1.20 | 1.18 | 1.16 |
| 62.0             | 21565             | 21268                        | 20969 | 20971 | 1.10  | 1.04                         | 1.01 | 0.98 |      |
| 64.4             | 21859             | 21562                        | 21565 | 21266 | 1.02  | 0.96                         | 0.93 | 0.90 |      |

Gray shaded area is Extrapolated Data

COOLING PERFORMANCE AT INDOOR DRY BULB TEMPERATURE - 18K HH (Sheet 1 of 4)

| AIRFLOW<br>(CFM) | OUTDOOR<br>(DB F) | ID WB (DB F) | 60.8  |       |       |       | 64.4  |       |       |       | 66.2  |       |       |       | 71.6  |       |       |       |
|------------------|-------------------|--------------|-------|-------|-------|-------|-------|-------|-------|-------|-------|-------|-------|-------|-------|-------|-------|-------|
|                  |                   | ID DB (DB F) | 73.4  | 77.0  | 80.6  | 84.2  | 73.4  | 77.0  | 80.6  | 84.2  | 73.4  | 77.0  | 80.6  | 84.2  | 73.4  | 77.0  | 80.6  | 84.2  |
| 489              | -22               | TC           | 19068 | 19078 | 19287 | 19495 | 19970 | 20392 | 20392 | 20598 | 20466 | 20466 | 20466 | 20466 | 21548 | 21548 | 21548 | 21548 |
|                  |                   | S/T          | 0.72  | 0.83  | 0.92  | 0.95  | 0.57  | 0.67  | 0.76  | 0.86  | 0.49  | 0.59  | 0.68  | 0.77  | 0.33  | 0.42  | 0.50  | 0.59  |
|                  |                   | PI           | 1.20  | 1.20  | 1.20  | 1.20  | 1.20  | 1.20  | 1.20  | 1.20  | 1.20  | 1.20  | 1.20  | 1.20  | 1.21  | 1.21  | 1.21  | 1.21  |
|                  | -10               | TC           | 18927 | 18937 | 19144 | 19351 | 19857 | 20276 | 20276 | 20481 | 20364 | 20364 | 20364 | 20364 | 21482 | 21482 | 21482 | 21482 |
|                  |                   | S/T          | 0.73  | 0.83  | 0.93  | 0.96  | 0.57  | 0.67  | 0.77  | 0.86  | 0.50  | 0.59  | 0.69  | 0.78  | 0.34  | 0.42  | 0.51  | 0.59  |
|                  |                   | PI           | 1.08  | 1.08  | 1.08  | 1.08  | 1.09  | 1.09  | 1.09  | 1.09  | 1.09  | 1.09  | 1.09  | 1.09  | 1.09  | 1.09  | 1.09  | 1.09  |
|                  | 0                 | TC           | 18810 | 18820 | 19026 | 19231 | 19762 | 20180 | 20180 | 20384 | 20279 | 20279 | 20279 | 20279 | 21428 | 21428 | 21428 | 21428 |
|                  |                   | S/T          | 0.73  | 0.84  | 0.93  | 0.96  | 0.58  | 0.67  | 0.77  | 0.87  | 0.50  | 0.60  | 0.69  | 0.78  | 0.34  | 0.42  | 0.51  | 0.60  |
|                  |                   | PI           | 1.01  | 1.01  | 1.01  | 1.01  | 1.01  | 1.01  | 1.01  | 1.01  | 1.01  | 1.01  | 1.01  | 1.01  | 1.01  | 1.01  | 1.01  | 1.01  |
|                  | 5                 | TC           | 18755 | 18765 | 18970 | 19175 | 19726 | 20143 | 20143 | 20346 | 20248 | 20248 | 20248 | 20248 | 21414 | 21414 | 21414 | 21414 |
|                  |                   | S/T          | 0.73  | 0.84  | 0.94  | 0.97  | 0.58  | 0.68  | 0.77  | 0.87  | 0.50  | 0.60  | 0.70  | 0.78  | 0.34  | 0.42  | 0.51  | 0.60  |
|                  |                   | PI           | 0.95  | 0.95  | 0.95  | 0.95  | 0.95  | 0.95  | 0.95  | 0.95  | 0.95  | 0.95  | 0.95  | 0.95  | 0.94  | 0.94  | 0.94  | 0.94  |
|                  | 14                | TC           | 18643 | 18654 | 18857 | 19061 | 19615 | 20030 | 20030 | 20232 | 20146 | 20146 | 20146 | 20146 | 21341 | 21341 | 21341 | 21341 |
|                  |                   | S/T          | 0.74  | 0.84  | 0.94  | 0.97  | 0.58  | 0.68  | 0.78  | 0.87  | 0.50  | 0.60  | 0.70  | 0.79  | 0.34  | 0.43  | 0.51  | 0.60  |
|                  |                   | PI           | 0.95  | 0.94  | 0.94  | 0.95  | 0.95  | 0.95  | 0.95  | 0.95  | 0.95  | 0.95  | 0.95  | 0.95  | 0.94  | 0.94  | 0.94  | 0.94  |
|                  | 23                | TC           | 18532 | 18542 | 18745 | 18948 | 19541 | 19954 | 19954 | 20156 | 20073 | 20073 | 20073 | 20073 | 21287 | 21287 | 21287 | 21287 |
|                  |                   | S/T          | 0.74  | 0.85  | 0.95  | 0.98  | 0.59  | 0.68  | 0.78  | 0.88  | 0.51  | 0.60  | 0.70  | 0.79  | 0.34  | 0.43  | 0.52  | 0.60  |
|                  |                   | PI           | 0.94  | 0.94  | 0.94  | 0.94  | 0.94  | 0.94  | 0.94  | 0.94  | 0.95  | 0.95  | 0.95  | 0.95  | 0.95  | 0.95  | 0.95  | 0.95  |
|                  | 32                | TC           | 18440 | 18450 | 18651 | 18853 | 19468 | 19879 | 19879 | 20080 | 20017 | 20017 | 20017 | 20017 | 21269 | 21269 | 21269 | 21269 |
|                  |                   | S/T          | 0.74  | 0.85  | 0.95  | 0.98  | 0.59  | 0.69  | 0.78  | 0.88  | 0.51  | 0.61  | 0.71  | 0.79  | 0.34  | 0.43  | 0.52  | 0.61  |
|                  |                   | PI           | 0.95  | 0.94  | 0.94  | 0.95  | 0.95  | 0.95  | 0.95  | 0.95  | 0.95  | 0.95  | 0.95  | 0.95  | 0.95  | 0.95  | 0.95  | 0.95  |
|                  | 41                | TC           | 18347 | 18357 | 18558 | 18758 | 19394 | 19803 | 19803 | 20003 | 19953 | 19953 | 19953 | 19953 | 21251 | 21251 | 21251 | 21251 |
|                  |                   | S/T          | 0.75  | 0.86  | 0.96  | 0.99  | 0.59  | 0.69  | 0.79  | 0.89  | 0.51  | 0.61  | 0.71  | 0.80  | 0.34  | 0.43  | 0.52  | 0.61  |
|                  |                   | PI           | 0.96  | 0.95  | 0.95  | 0.96  | 0.96  | 0.96  | 0.96  | 0.96  | 0.96  | 0.96  | 0.96  | 0.96  | 0.96  | 0.96  | 0.96  | 0.96  |
|                  | 50                | TC           | 18236 | 18246 | 18445 | 18644 | 19301 | 19709 | 19709 | 19908 | 19869 | 19869 | 19869 | 19869 | 21196 | 21196 | 21196 | 21196 |
|                  |                   | S/T          | 0.75  | 0.86  | 0.96  | 0.99  | 0.59  | 0.69  | 0.79  | 0.89  | 0.51  | 0.61  | 0.71  | 0.80  | 0.35  | 0.44  | 0.52  | 0.61  |
|                  |                   | PI           | 0.97  | 0.97  | 0.97  | 0.97  | 0.97  | 0.97  | 0.97  | 0.97  | 0.97  | 0.97  | 0.97  | 0.97  | 0.97  | 0.97  | 0.97  | 0.97  |
|                  | 59                | TC           | 18087 | 18097 | 18295 | 18493 | 19172 | 19577 | 19577 | 19775 | 19749 | 19749 | 19749 | 19749 | 21106 | 21106 | 21106 | 21106 |
|                  |                   | S/T          | 0.76  | 0.87  | 0.97  | 1.00  | 0.60  | 0.70  | 0.80  | 0.90  | 0.52  | 0.62  | 0.72  | 0.81  | 0.35  | 0.44  | 0.53  | 0.62  |
|                  |                   | PI           | 1.00  | 0.99  | 0.99  | 1.00  | 0.99  | 0.99  | 0.99  | 0.99  | 1.00  | 1.00  | 1.00  | 1.00  | 0.99  | 0.99  | 0.99  | 0.99  |
|                  | 68                | TC           | 17884 | 17893 | 18089 | 18284 | 18969 | 18969 | 18969 | 19164 | 19556 | 19556 | 19556 | 19556 | 20924 | 20924 | 20924 | 20924 |
|                  |                   | S/T          | 0.76  | 0.87  | 0.97  | 1.00  | 0.60  | 0.70  | 0.80  | 0.90  | 0.52  | 0.62  | 0.72  | 0.81  | 0.35  | 0.44  | 0.53  | 0.62  |
|                  |                   | PI           | 1.03  | 1.03  | 1.03  | 1.03  | 1.03  | 1.03  | 1.03  | 1.03  | 1.03  | 1.03  | 1.03  | 1.03  | 1.02  | 1.02  | 1.02  | 1.02  |
|                  | 77                | TC           | 17013 | 17209 | 17404 | 17600 | 18089 | 18089 | 18089 | 18284 | 18676 | 18676 | 18676 | 18676 | 20044 | 20044 | 20044 | 20044 |
|                  |                   | S/T          | 0.78  | 0.88  | 0.99  | 1.00  | 0.61  | 0.71  | 0.82  | 0.92  | 0.53  | 0.63  | 0.73  | 0.83  | 0.34  | 0.44  | 0.53  | 0.63  |
|                  |                   | PI           | 1.14  | 1.14  | 1.14  | 1.14  | 1.14  | 1.14  | 1.14  | 1.14  | 1.14  | 1.14  | 1.14  | 1.14  | 1.14  | 1.14  | 1.14  | 1.14  |
|                  | 86                | TC           | 16231 | 16427 | 16622 | 16818 | 17307 | 17307 | 17307 | 17502 | 17796 | 17796 | 17796 | 17796 | 19164 | 19164 | 19164 | 19164 |
|                  |                   | S/T          | 0.79  | 0.90  | 1.00  | 1.00  | 0.61  | 0.72  | 0.83  | 0.94  | 0.53  | 0.64  | 0.74  | 0.85  | 0.34  | 0.44  | 0.54  | 0.64  |
|                  |                   | PI           | 1.24  | 1.24  | 1.24  | 1.24  | 1.24  | 1.24  | 1.24  | 1.24  | 1.25  | 1.25  | 1.25  | 1.25  | 1.25  | 1.25  | 1.25  | 1.25  |
|                  | 95                | TC           | 15449 | 15644 | 15840 | 16036 | 16427 | 16427 | 16427 | 16622 | 16916 | 16916 | 17209 | 16916 | 18284 | 18284 | 18284 | 18284 |
|                  |                   | S/T          | 0.81  | 0.92  | 1.00  | 1.00  | 0.62  | 0.74  | 0.85  | 0.96  | 0.54  | 0.65  | 0.75  | 0.87  | 0.34  | 0.44  | 0.55  | 0.65  |
|                  |                   | PI           | 1.36  | 1.36  | 1.36  | 1.36  | 1.37  | 1.37  | 1.37  | 1.37  | 1.37  | 1.37  | 1.37  | 1.37  | 1.38  | 1.38  | 1.38  | 1.38  |
| 104              | TC                | 14606        | 14758 | 14910 | 15061 | 15543 | 15543 | 15587 | 15739 | 16033 | 16033 | 16194 | 16122 | 17317 | 17317 | 17317 | 17317 |       |
|                  | S/T               | 0.84         | 0.97  | 1.00  | 1.00  | 0.64  | 0.76  | 0.89  | 1.00  | 0.54  | 0.67  | 0.79  | 0.91  | 0.33  | 0.45  | 0.56  | 0.67  |       |
|                  | PI                | 1.50         | 1.50  | 1.50  | 1.50  | 1.51  | 1.51  | 1.51  | 1.51  | 1.51  | 1.51  | 1.51  | 1.51  | 1.52  | 1.52  | 1.52  | 1.52  |       |
| 115              | TC                | 13536        | 13634 | 13732 | 13831 | 14419 | 14419 | 14517 | 14615 | 14910 | 14910 | 14910 | 15106 | 16087 | 16087 | 16087 | 16087 |       |
|                  | S/T               | 0.85         | 0.99  | 1.00  | 1.00  | 0.65  | 0.78  | 0.91  | 1.00  | 0.55  | 0.68  | 0.80  | 0.93  | 0.33  | 0.45  | 0.57  | 0.69  |       |
|                  | PI                | 1.67         | 1.67  | 1.67  | 1.67  | 1.67  | 1.67  | 1.67  | 1.67  | 1.68  | 1.68  | 1.68  | 1.68  | 1.69  | 1.69  | 1.69  | 1.69  |       |
| 122              | TC                | 12654        | 12752 | 12850 | 12948 | 13536 | 13536 | 13634 | 13732 | 14027 | 14027 | 14027 | 14125 | 15204 | 15204 | 15204 | 15204 |       |
|                  | S/T               | 0.88         | 1.00  | 1.00  | 1.00  | 0.66  | 0.80  | 0.94  | 1.00  | 0.56  | 0.69  | 0.83  | 0.96  | 0.33  | 0.45  | 0.58  | 0.70  |       |
|                  | PI                | 1.81         | 1.81  | 1.81  | 1.81  | 1.82  | 1.82  | 1.82  | 1.82  | 1.82  | 1.82  | 1.82  | 1.82  | 1.82  | 1.84  | 1.84  | 1.84  | 1.84  |

Manufacturer reserves the right to change, at any time, specifications and designs without notice and without obligations.



COOLING PERFORMANCE AT INDOOR DRY BULB TEMPERATURE - 18K HH (Sheet 2 of 4)

| AIRFLOW (CFM) | OUTDOOR (DB F) | ID WB (DB F) | 60.8  |       |       |       | 64.4  |       |       |       | 66.2  |       |       |       | 71.6  |       |       |       |
|---------------|----------------|--------------|-------|-------|-------|-------|-------|-------|-------|-------|-------|-------|-------|-------|-------|-------|-------|-------|
|               |                | ID DB (DB F) | 73.4  | 77.0  | 80.6  | 84.2  | 73.4  | 77.0  | 80.6  | 84.2  | 73.4  | 77.0  | 80.6  | 84.2  | 73.4  | 77.0  | 80.6  | 84.2  |
| 530           | -22            | TC           | 19505 | 19713 | 19922 | 20131 | 20392 | 20392 | 20392 | 20598 | 20886 | 20886 | 20886 | 20886 | 22062 | 22062 | 22062 | 22062 |
|               |                | S/T          | 0.74  | 0.85  | 0.97  | 1.00  | 0.58  | 0.68  | 0.78  | 0.87  | 0.50  | 0.60  | 0.69  | 0.80  | 0.32  | 0.42  | 0.51  | 0.60  |
|               |                | PI           | 1.20  | 1.20  | 1.20  | 1.20  | 1.20  | 1.20  | 1.20  | 1.20  | 1.20  | 1.20  | 1.20  | 1.20  | 1.21  | 1.21  | 1.21  | 1.21  |
|               | -10            | TC           | 19361 | 19568 | 19775 | 19982 | 20276 | 20276 | 20276 | 20481 | 20781 | 20781 | 20781 | 20781 | 21995 | 21995 | 21995 | 21995 |
|               |                | S/T          | 0.75  | 0.85  | 0.97  | 1.00  | 0.58  | 0.68  | 0.79  | 0.88  | 0.51  | 0.60  | 0.70  | 0.80  | 0.33  | 0.42  | 0.52  | 0.60  |
|               |                | PI           | 1.08  | 1.08  | 1.08  | 1.08  | 1.09  | 1.09  | 1.09  | 1.09  | 1.09  | 1.09  | 1.09  | 1.09  | 1.09  | 1.09  | 1.09  | 1.09  |
|               | 0              | TC           | 19241 | 19446 | 19652 | 19858 | 20180 | 20180 | 20180 | 20384 | 20694 | 20694 | 20694 | 20694 | 21940 | 21940 | 21940 | 21940 |
|               |                | S/T          | 0.75  | 0.86  | 0.98  | 1.00  | 0.59  | 0.68  | 0.79  | 0.89  | 0.51  | 0.61  | 0.70  | 0.81  | 0.33  | 0.42  | 0.52  | 0.61  |
|               |                | PI           | 1.04  | 1.04  | 1.04  | 1.04  | 1.03  | 1.03  | 1.03  | 1.03  | 1.04  | 1.04  | 1.04  | 1.04  | 1.03  | 1.03  | 1.03  | 1.03  |
|               | 5              | TC           | 19184 | 19390 | 19595 | 19800 | 20143 | 20143 | 20143 | 20346 | 20663 | 20663 | 20663 | 20663 | 21925 | 21925 | 21925 | 21925 |
|               |                | S/T          | 0.75  | 0.86  | 0.98  | 1.00  | 0.59  | 0.69  | 0.79  | 0.89  | 0.51  | 0.61  | 0.70  | 0.81  | 0.33  | 0.42  | 0.52  | 0.61  |
|               |                | PI           | 0.97  | 0.97  | 0.97  | 0.97  | 0.97  | 0.97  | 0.97  | 0.97  | 0.97  | 0.97  | 0.97  | 0.97  | 0.96  | 0.96  | 0.96  | 0.96  |
|               | 14             | TC           | 19071 | 19275 | 19479 | 19683 | 20030 | 20030 | 20030 | 20232 | 20560 | 20560 | 20560 | 20560 | 21851 | 21851 | 21851 | 21851 |
|               |                | S/T          | 0.76  | 0.86  | 0.99  | 1.00  | 0.59  | 0.69  | 0.80  | 0.89  | 0.51  | 0.61  | 0.71  | 0.82  | 0.33  | 0.43  | 0.52  | 0.61  |
|               |                | PI           | 0.97  | 0.97  | 0.97  | 0.97  | 0.96  | 0.96  | 0.96  | 0.96  | 0.97  | 0.97  | 0.97  | 0.97  | 0.96  | 0.96  | 0.96  | 0.96  |
|               | 23             | TC           | 18957 | 19160 | 19362 | 19565 | 19954 | 19954 | 19954 | 20156 | 20484 | 20484 | 20484 | 20484 | 21795 | 21795 | 21795 | 21795 |
|               |                | S/T          | 0.76  | 0.87  | 0.99  | 1.00  | 0.59  | 0.69  | 0.80  | 0.90  | 0.52  | 0.61  | 0.71  | 0.82  | 0.33  | 0.43  | 0.53  | 0.61  |
|               |                | PI           | 0.97  | 0.97  | 0.97  | 0.97  | 0.96  | 0.96  | 0.96  | 0.96  | 0.97  | 0.97  | 0.97  | 0.97  | 0.96  | 0.96  | 0.96  | 0.96  |
|               | 32             | TC           | 18862 | 19064 | 19266 | 19467 | 19879 | 19879 | 19879 | 20080 | 20428 | 20428 | 20428 | 20428 | 21776 | 21776 | 21776 | 21776 |
|               |                | S/T          | 0.76  | 0.87  | 1.00  | 1.00  | 0.60  | 0.70  | 0.80  | 0.90  | 0.52  | 0.62  | 0.72  | 0.82  | 0.33  | 0.43  | 0.53  | 0.62  |
|               |                | PI           | 0.97  | 0.97  | 0.97  | 0.97  | 0.97  | 0.97  | 0.97  | 0.97  | 0.97  | 0.97  | 0.97  | 0.97  | 0.97  | 0.97  | 0.97  | 0.97  |
|               | 41             | TC           | 18767 | 18968 | 19169 | 19370 | 19803 | 19803 | 19803 | 20003 | 20362 | 20362 | 20362 | 20362 | 21758 | 21758 | 21758 | 21758 |
|               |                | S/T          | 0.77  | 0.88  | 1.00  | 1.00  | 0.60  | 0.70  | 0.81  | 0.91  | 0.52  | 0.62  | 0.72  | 0.83  | 0.33  | 0.43  | 0.53  | 0.62  |
|               |                | PI           | 0.98  | 0.98  | 0.98  | 0.98  | 0.98  | 0.98  | 0.98  | 0.98  | 0.98  | 0.98  | 0.98  | 0.98  | 0.97  | 0.97  | 0.97  | 0.97  |
|               | 50             | TC           | 18654 | 18853 | 19053 | 19252 | 19709 | 19709 | 19709 | 19908 | 20277 | 20277 | 20277 | 20277 | 21702 | 21702 | 21702 | 21702 |
|               |                | S/T          | 0.77  | 0.88  | 1.00  | 1.00  | 0.60  | 0.70  | 0.81  | 0.91  | 0.52  | 0.62  | 0.72  | 0.83  | 0.34  | 0.44  | 0.53  | 0.62  |
|               |                | PI           | 1.00  | 1.00  | 1.00  | 1.00  | 0.99  | 0.99  | 0.99  | 0.99  | 0.99  | 0.99  | 0.99  | 0.99  | 0.99  | 0.99  | 0.99  | 0.99  |
|               | 59             | TC           | 18502 | 18700 | 18898 | 19096 | 19577 | 19577 | 19577 | 19775 | 20154 | 20154 | 20154 | 20154 | 21609 | 21609 | 21609 | 21609 |
|               |                | S/T          | 0.78  | 0.89  | 0.99  | 1.00  | 0.61  | 0.71  | 0.82  | 0.92  | 0.53  | 0.63  | 0.73  | 0.84  | 0.34  | 0.44  | 0.54  | 0.63  |
|               |                | PI           | 1.02  | 1.02  | 1.02  | 1.02  | 1.01  | 1.01  | 1.01  | 1.01  | 1.01  | 1.01  | 1.01  | 1.01  | 1.01  | 1.01  | 1.01  | 1.01  |
|               | 68             | TC           | 18293 | 18489 | 18685 | 18880 | 19370 | 19370 | 19370 | 19565 | 19957 | 19957 | 19957 | 19957 | 21424 | 21424 | 21424 | 21424 |
|               |                | S/T          | 0.78  | 0.89  | 0.99  | 1.00  | 0.61  | 0.71  | 0.82  | 0.92  | 0.53  | 0.63  | 0.73  | 0.84  | 0.34  | 0.44  | 0.54  | 0.63  |
|               |                | PI           | 1.06  | 1.06  | 1.06  | 1.06  | 1.05  | 1.05  | 1.05  | 1.05  | 1.05  | 1.05  | 1.05  | 1.05  | 1.04  | 1.04  | 1.04  | 1.04  |
|               | 77             | TC           | 17413 | 17609 | 17804 | 18000 | 18489 | 18489 | 18489 | 18685 | 19076 | 19076 | 19076 | 19076 | 20543 | 20543 | 20543 | 20543 |
|               |                | S/T          | 0.79  | 0.91  | 1.00  | 1.00  | 0.62  | 0.73  | 0.84  | 0.94  | 0.53  | 0.64  | 0.75  | 0.86  | 0.34  | 0.44  | 0.54  | 0.64  |
|               |                | PI           | 1.17  | 1.17  | 1.17  | 1.17  | 1.17  | 1.17  | 1.17  | 1.17  | 1.17  | 1.17  | 1.17  | 1.17  | 1.17  | 1.17  | 1.17  | 1.17  |
|               | 86             | TC           | 16630 | 16826 | 17022 | 17217 | 17707 | 17707 | 17707 | 17902 | 18196 | 18196 | 18196 | 18196 | 19663 | 19663 | 19663 | 19663 |
|               |                | S/T          | 0.81  | 0.93  | 1.00  | 1.00  | 0.62  | 0.74  | 0.85  | 0.97  | 0.54  | 0.65  | 0.76  | 0.88  | 0.34  | 0.44  | 0.55  | 0.65  |
|               |                | PI           | 1.27  | 1.27  | 1.27  | 1.27  | 1.27  | 1.27  | 1.27  | 1.27  | 1.27  | 1.27  | 1.27  | 1.27  | 1.28  | 1.28  | 1.28  | 1.28  |
|               | 95             | TC           | 15750 | 15946 | 16141 | 16337 | 16826 | 16826 | 16826 | 17022 | 17315 | 17315 | 17609 | 17804 | 18685 | 18685 | 18685 | 18685 |
|               |                | S/T          | 0.83  | 0.95  | 1.00  | 1.00  | 0.63  | 0.75  | 0.88  | 0.99  | 0.54  | 0.66  | 0.77  | 0.89  | 0.34  | 0.45  | 0.56  | 0.67  |
|               |                | PI           | 1.39  | 1.39  | 1.39  | 1.39  | 1.40  | 1.40  | 1.40  | 1.40  | 1.40  | 1.40  | 1.40  | 1.40  | 1.40  | 1.40  | 1.40  | 1.40  |
|               | 104            | TC           | 14813 | 14964 | 15115 | 15266 | 15798 | 15798 | 15886 | 16081 | 16285 | 16285 | 16445 | 16640 | 17606 | 17606 | 17606 | 17606 |
|               |                | S/T          | 0.86  | 1.00  | 1.00  | 1.00  | 0.65  | 0.78  | 0.91  | 1.00  | 0.55  | 0.68  | 0.81  | 0.93  | 0.33  | 0.45  | 0.57  | 0.69  |
|               |                | PI           | 1.54  | 1.54  | 1.54  | 1.54  | 1.55  | 1.55  | 1.55  | 1.55  | 1.55  | 1.55  | 1.55  | 1.55  | 1.56  | 1.56  | 1.56  | 1.56  |
|               | 115            | TC           | 13750 | 13847 | 13945 | 14042 | 14627 | 14627 | 14822 | 15017 | 15115 | 15115 | 15115 | 15310 | 16383 | 16383 | 16383 | 16383 |
|               |                | S/T          | 0.88  | 1.00  | 1.00  | 1.00  | 0.66  | 0.80  | 0.93  | 1.00  | 0.56  | 0.69  | 0.83  | 0.96  | 0.33  | 0.45  | 0.58  | 0.70  |
|               |                | PI           | 1.71  | 1.71  | 1.71  | 1.71  | 1.72  | 1.72  | 1.72  | 1.72  | 1.73  | 1.73  | 1.73  | 1.73  | 1.74  | 1.74  | 1.74  | 1.74  |
| 122           | TC             | 12872        | 12970 | 13067 | 13165 | 13750 | 13750 | 13847 | 13945 | 14237 | 14237 | 14237 | 14335 | 15407 | 15407 | 15407 | 15407 |       |
|               | S/T            | 0.90         | 1.00  | 1.00  | 1.00  | 0.67  | 0.82  | 0.97  | 1.00  | 0.57  | 0.71  | 0.85  | 0.99  | 0.32  | 0.46  | 0.59  | 0.91  |       |
|               | PI             | 1.86         | 1.86  | 1.86  | 1.86  | 1.87  | 1.87  | 1.87  | 1.87  | 1.87  | 1.87  | 1.87  | 1.87  | 1.89  | 1.89  | 1.89  | 1.89  |       |

COOLING PERFORMANCE AT INDOOR DRY BULB TEMPERATURE - 18K HH (Sheet 3 of 4)

| AIRFLOW (CFM) | OUTDOOR (DB F) | ID WB (DB F) | 60.8  |       |       |       | 64.4  |       |       |       | 66.2  |       |       |       | 71.6  |       |       |       |
|---------------|----------------|--------------|-------|-------|-------|-------|-------|-------|-------|-------|-------|-------|-------|-------|-------|-------|-------|-------|
|               |                | ID DB (DB F) | 73.4  | 77.0  | 80.6  | 84.2  | 73.4  | 77.0  | 80.6  | 84.2  | 73.4  | 77.0  | 80.6  | 84.2  | 73.4  | 77.0  | 80.6  | 84.2  |
| 577           | -22            | TC           | 19922 | 20131 | 20339 | 20548 | 20907 | 20907 | 20907 | 21113 | 21397 | 21397 | 21397 | 21397 | 22566 | 22566 | 22566 | 22566 |
|               |                | S/T          | 0.76  | 0.87  | 1.00  | 1.00  | 0.59  | 0.69  | 0.80  | 0.96  | 0.50  | 0.61  | 0.71  | 0.82  | 0.32  | 0.42  | 0.51  | 0.62  |
|               |                | PI           | 1.20  | 1.20  | 1.20  | 1.20  | 1.20  | 1.20  | 1.20  | 1.20  | 1.20  | 1.20  | 1.20  | 1.20  | 1.21  | 1.21  | 1.21  | 1.21  |
|               | -10            | TC           | 19775 | 19982 | 20189 | 20396 | 20788 | 20788 | 20788 | 20993 | 21291 | 21291 | 21291 | 21291 | 22497 | 22497 | 22497 | 22497 |
|               |                | S/T          | 0.77  | 0.87  | 1.00  | 1.00  | 0.59  | 0.70  | 0.80  | 0.97  | 0.51  | 0.61  | 0.72  | 0.82  | 0.33  | 0.42  | 0.52  | 0.62  |
|               |                | PI           | 1.08  | 1.08  | 1.08  | 1.08  | 1.09  | 1.09  | 1.09  | 1.09  | 1.09  | 1.09  | 1.09  | 1.09  | 1.09  | 1.09  | 1.09  | 1.09  |
|               | 0              | TC           | 19652 | 19858 | 20064 | 20270 | 20689 | 20689 | 20689 | 20893 | 21202 | 21202 | 21202 | 21202 | 22440 | 22440 | 22440 | 22440 |
|               |                | S/T          | 0.77  | 0.88  | 1.00  | 1.00  | 0.60  | 0.70  | 0.81  | 0.97  | 0.51  | 0.62  | 0.72  | 0.83  | 0.33  | 0.42  | 0.52  | 0.63  |
|               |                | PI           | 1.06  | 1.06  | 1.06  | 1.06  | 1.05  | 1.05  | 1.05  | 1.05  | 1.06  | 1.06  | 1.06  | 1.06  | 1.06  | 1.06  | 1.06  | 1.06  |
|               | 5              | TC           | 19595 | 19800 | 20005 | 20210 | 20651 | 20651 | 20651 | 20855 | 21170 | 21170 | 21170 | 21170 | 22425 | 22425 | 22425 | 22425 |
|               |                | S/T          | 0.77  | 0.88  | 1.00  | 1.00  | 0.60  | 0.70  | 0.81  | 0.98  | 0.51  | 0.62  | 0.72  | 0.83  | 0.33  | 0.42  | 0.52  | 0.63  |
|               |                | PI           | 0.99  | 0.99  | 0.99  | 0.99  | 0.98  | 0.98  | 0.98  | 0.98  | 0.99  | 0.99  | 0.99  | 0.99  | 0.99  | 0.99  | 0.99  | 0.99  |
|               | 14             | TC           | 19479 | 19683 | 19887 | 20091 | 20535 | 20535 | 20535 | 20738 | 21063 | 21063 | 21063 | 21063 | 22349 | 22349 | 22349 | 22349 |
|               |                | S/T          | 0.78  | 0.88  | 1.00  | 1.00  | 0.60  | 0.71  | 0.82  | 0.98  | 0.51  | 0.62  | 0.73  | 0.83  | 0.33  | 0.43  | 0.52  | 0.63  |
|               |                | PI           | 0.99  | 0.99  | 0.99  | 0.99  | 0.98  | 0.98  | 0.98  | 0.98  | 0.98  | 0.98  | 0.98  | 0.98  | 0.99  | 0.99  | 0.99  | 0.99  |
|               | 23             | TC           | 19362 | 19565 | 19768 | 19971 | 20458 | 20458 | 20458 | 20660 | 20986 | 20986 | 20986 | 20986 | 22292 | 22292 | 22292 | 22292 |
|               |                | S/T          | 0.78  | 0.89  | 1.00  | 1.00  | 0.60  | 0.71  | 0.82  | 0.99  | 0.52  | 0.62  | 0.73  | 0.84  | 0.33  | 0.43  | 0.53  | 0.63  |
|               |                | PI           | 0.99  | 0.99  | 0.99  | 0.99  | 0.98  | 0.98  | 0.98  | 0.98  | 0.98  | 0.98  | 0.98  | 0.98  | 0.99  | 0.99  | 0.99  | 0.99  |
|               | 32             | TC           | 19266 | 19467 | 19669 | 19871 | 20381 | 20381 | 20381 | 20582 | 20928 | 20928 | 20928 | 20928 | 22274 | 22274 | 22274 | 22274 |
|               |                | S/T          | 0.78  | 0.89  | 1.00  | 1.00  | 0.61  | 0.72  | 0.82  | 0.99  | 0.52  | 0.63  | 0.74  | 0.84  | 0.33  | 0.43  | 0.53  | 0.64  |
|               |                | PI           | 0.99  | 0.99  | 0.99  | 0.99  | 0.98  | 0.98  | 0.98  | 0.98  | 0.99  | 0.99  | 0.99  | 0.99  | 0.99  | 0.99  | 0.99  | 0.99  |
|               | 41             | TC           | 19169 | 19370 | 19570 | 19771 | 20303 | 20303 | 20303 | 20503 | 20861 | 20861 | 20861 | 20861 | 22255 | 22255 | 22255 | 22255 |
|               |                | S/T          | 0.79  | 0.90  | 1.00  | 1.00  | 0.61  | 0.72  | 0.83  | 1.00  | 0.52  | 0.63  | 0.74  | 0.85  | 0.33  | 0.43  | 0.53  | 0.64  |
|               |                | PI           | 1.00  | 1.00  | 1.00  | 1.00  | 0.99  | 0.99  | 0.99  | 0.99  | 1.00  | 1.00  | 1.00  | 1.00  | 1.00  | 1.00  | 1.00  | 1.00  |
|               | 50             | TC           | 19053 | 19252 | 19452 | 19651 | 20207 | 20207 | 20207 | 20406 | 20774 | 20774 | 20774 | 20774 | 22198 | 22198 | 22198 | 22198 |
|               |                | S/T          | 0.79  | 0.90  | 1.00  | 1.00  | 0.61  | 0.72  | 0.83  | 1.00  | 0.52  | 0.63  | 0.74  | 0.85  | 0.34  | 0.44  | 0.53  | 0.64  |
|               |                | PI           | 1.02  | 1.02  | 1.02  | 1.02  | 1.01  | 1.01  | 1.01  | 1.01  | 1.01  | 1.01  | 1.01  | 1.01  | 1.01  | 1.01  | 1.01  | 1.01  |
|               | 59             | TC           | 18898 | 19096 | 19294 | 19491 | 20071 | 20071 | 20071 | 20269 | 20648 | 20648 | 20648 | 20648 | 22103 | 22103 | 22103 | 22103 |
|               |                | S/T          | 0.80  | 0.91  | 1.00  | 1.00  | 0.62  | 0.73  | 0.84  | 0.95  | 0.53  | 0.64  | 0.75  | 0.86  | 0.34  | 0.44  | 0.54  | 0.65  |
|               |                | PI           | 1.04  | 1.04  | 1.04  | 1.04  | 1.03  | 1.03  | 1.03  | 1.03  | 1.03  | 1.03  | 1.03  | 1.03  | 1.04  | 1.04  | 1.04  | 1.04  |
|               | 68             | TC           | 18685 | 18880 | 19076 | 19272 | 19859 | 19859 | 19859 | 20054 | 20446 | 20446 | 20446 | 20446 | 21913 | 21913 | 21913 | 21913 |
|               |                | S/T          | 0.80  | 0.91  | 1.00  | 1.00  | 0.62  | 0.73  | 0.84  | 0.95  | 0.53  | 0.64  | 0.75  | 0.86  | 0.34  | 0.44  | 0.54  | 0.65  |
|               |                | PI           | 1.08  | 1.08  | 1.08  | 1.08  | 1.07  | 1.07  | 1.07  | 1.07  | 1.07  | 1.07  | 1.07  | 1.07  | 1.07  | 1.07  | 1.07  | 1.07  |
|               | 77             | TC           | 17804 | 18000 | 18196 | 18391 | 18978 | 18978 | 18978 | 19174 | 19565 | 19565 | 19565 | 19565 | 21033 | 21033 | 21033 | 21033 |
|               |                | S/T          | 0.81  | 0.93  | 1.00  | 1.00  | 0.62  | 0.74  | 0.86  | 0.97  | 0.54  | 0.65  | 0.77  | 0.88  | 0.34  | 0.44  | 0.55  | 0.66  |
|               |                | PI           | 1.19  | 1.19  | 1.19  | 1.19  | 1.19  | 1.19  | 1.19  | 1.19  | 1.19  | 1.19  | 1.19  | 1.19  | 1.19  | 1.19  | 1.19  | 1.19  |
|               | 86             | TC           | 17022 | 17217 | 17413 | 17609 | 18098 | 18098 | 18098 | 18293 | 18587 | 18587 | 18587 | 18783 | 20054 | 20054 | 20054 | 20054 |
|               |                | S/T          | 0.83  | 0.96  | 1.00  | 1.00  | 0.63  | 0.76  | 0.88  | 1.00  | 0.54  | 0.66  | 0.78  | 0.90  | 0.33  | 0.45  | 0.56  | 0.67  |
|               |                | PI           | 1.30  | 1.30  | 1.30  | 1.30  | 1.30  | 1.30  | 1.30  | 1.30  | 1.30  | 1.30  | 1.30  | 1.30  | 1.31  | 1.31  | 1.31  | 1.31  |
|               | 95             | TC           | 16141 | 16337 | 16533 | 16728 | 17217 | 17217 | 17413 | 17609 | 17707 | 17707 | 18000 | 18196 | 19076 | 19076 | 19076 | 19076 |
|               |                | S/T          | 0.85  | 0.98  | 1.00  | 1.00  | 0.64  | 0.77  | 0.90  | 1.00  | 0.55  | 0.67  | 0.80  | 0.91  | 0.33  | 0.45  | 0.57  | 0.68  |
|               |                | PI           | 1.42  | 1.42  | 1.42  | 1.42  | 1.42  | 1.42  | 1.42  | 1.42  | 1.43  | 1.43  | 1.43  | 1.43  | 1.44  | 1.44  | 1.44  | 1.44  |
|               | 104            | TC           | 15159 | 15310 | 15461 | 15611 | 16188 | 16188 | 16383 | 16578 | 16675 | 16675 | 16835 | 17030 | 17996 | 17996 | 17996 | 17996 |
|               |                | S/T          | 0.89  | 1.00  | 1.00  | 1.00  | 0.66  | 0.81  | 0.94  | 1.00  | 0.56  | 0.70  | 0.84  | 0.97  | 0.33  | 0.45  | 0.58  | 0.90  |
|               |                | PI           | 1.57  | 1.57  | 1.57  | 1.57  | 1.58  | 1.58  | 1.58  | 1.58  | 1.58  | 1.58  | 1.58  | 1.58  | 1.60  | 1.60  | 1.60  | 1.60  |
|               | 115            | TC           | 14042 | 14140 | 14237 | 14335 | 15017 | 15017 | 15212 | 15407 | 15505 | 15505 | 15505 | 15700 | 16773 | 16773 | 16773 | 16773 |
|               |                | S/T          | 0.90  | 1.00  | 1.00  | 1.00  | 0.67  | 0.82  | 0.96  | 1.00  | 0.57  | 0.71  | 0.85  | 0.99  | 0.32  | 0.46  | 0.59  | 0.92  |
|               |                | PI           | 1.75  | 1.75  | 1.75  | 1.75  | 1.76  | 1.76  | 1.76  | 1.76  | 1.76  | 1.76  | 1.76  | 1.76  | 1.78  | 1.78  | 1.78  | 1.78  |
| 122           | TC             | 13165        | 13262 | 13360 | 13457 | 14042 | 14042 | 14140 | 14237 | 14530 | 14530 | 14530 | 14627 | 15798 | 15798 | 15798 | 15798 |       |
|               | S/T            | 0.93         | 1.00  | 1.00  | 1.00  | 0.69  | 0.85  | 1.00  | 1.00  | 0.58  | 0.73  | 0.88  | 1.00  | 0.32  | 0.46  | 0.60  | 0.97  |       |
|               | PI             | 1.90         | 1.90  | 1.90  | 1.90  | 1.91  | 1.91  | 1.91  | 1.91  | 1.91  | 1.91  | 1.91  | 1.91  | 1.93  | 1.93  | 1.93  | 1.93  |       |

COOLING PERFORMANCE AT INDOOR DRY BULB TEMPERATURE - 18K HH (Sheet 4 of 4)

| AIRFLOW (CFM) | OUTDOOR (DB F) | ID WB (DB F) | 60.8  |       |       |       | 64.4  |       |       |       | 66.2  |       |       |       | 71.6  |       |       |       |
|---------------|----------------|--------------|-------|-------|-------|-------|-------|-------|-------|-------|-------|-------|-------|-------|-------|-------|-------|-------|
|               |                | ID DB (DB F) | 73.4  | 77.0  | 80.6  | 84.2  | 73.4  | 77.0  | 80.6  | 84.2  | 73.4  | 77.0  | 80.6  | 84.2  | 73.4  | 77.0  | 80.6  | 84.2  |
| 618           | -22            | TC           | 20348 | 20557 | 20765 | 20974 | 21435 | 21435 | 21435 | 21641 | 21922 | 21922 | 21922 | 21922 | 23081 | 23081 | 23081 | 23081 |
|               |                | S/T          | 0.78  | 0.88  | 1.00  | 1.00  | 0.60  | 0.71  | 0.82  | 1.05  | 0.50  | 0.62  | 0.73  | 0.84  | 0.32  | 0.42  | 0.51  | 0.64  |
|               |                | PI           | 1.01  | 1.01  | 1.01  | 1.01  | 1.00  | 1.00  | 1.00  | 1.00  | 1.00  | 1.00  | 1.00  | 1.00  | 1.01  | 1.01  | 1.01  | 1.01  |
|               | -10            | TC           | 20198 | 20405 | 20612 | 20819 | 21313 | 21313 | 21313 | 21518 | 21812 | 21812 | 21812 | 21812 | 23011 | 23011 | 23011 | 23011 |
|               |                | S/T          | 0.79  | 0.89  | 1.00  | 1.00  | 0.60  | 0.72  | 0.82  | 1.00  | 0.51  | 0.62  | 0.74  | 0.84  | 0.33  | 0.42  | 0.52  | 0.64  |
|               |                | PI           | 1.01  | 1.01  | 1.01  | 1.01  | 1.00  | 1.00  | 1.00  | 1.00  | 1.00  | 1.00  | 1.00  | 1.00  | 1.01  | 1.01  | 1.01  | 1.01  |
|               | 0              | TC           | 20073 | 20278 | 20484 | 20690 | 21212 | 21212 | 21212 | 21415 | 21721 | 21721 | 21721 | 21721 | 22953 | 22953 | 22953 | 22953 |
|               |                | S/T          | 0.79  | 0.90  | 1.00  | 1.00  | 0.61  | 0.72  | 0.83  | 1.00  | 0.51  | 0.63  | 0.74  | 0.85  | 0.33  | 0.42  | 0.52  | 0.65  |
|               |                | PI           | 1.01  | 1.01  | 1.01  | 1.01  | 1.00  | 1.00  | 1.00  | 1.00  | 1.00  | 1.00  | 1.00  | 1.00  | 1.02  | 1.02  | 1.02  | 1.02  |
|               | 5              | TC           | 20014 | 20219 | 20424 | 20629 | 21173 | 21173 | 21173 | 21376 | 21689 | 21689 | 21689 | 21689 | 22937 | 22937 | 22937 | 22937 |
|               |                | S/T          | 0.79  | 0.90  | 1.00  | 1.00  | 0.61  | 0.72  | 0.83  | 1.00  | 0.51  | 0.63  | 0.74  | 0.85  | 0.33  | 0.42  | 0.52  | 0.65  |
|               |                | PI           | 1.01  | 1.01  | 1.01  | 1.01  | 1.00  | 1.00  | 1.00  | 1.00  | 1.00  | 1.00  | 1.00  | 1.00  | 1.02  | 1.02  | 1.02  | 1.02  |
|               | 14             | TC           | 19895 | 20099 | 20303 | 20507 | 21054 | 21054 | 21054 | 21256 | 21580 | 21580 | 21580 | 21580 | 22860 | 22860 | 22860 | 22860 |
|               |                | S/T          | 0.80  | 0.90  | 1.00  | 1.00  | 0.61  | 0.73  | 0.83  | 1.00  | 0.51  | 0.63  | 0.75  | 0.85  | 0.33  | 0.43  | 0.52  | 0.65  |
|               |                | PI           | 1.01  | 1.01  | 1.01  | 1.01  | 1.00  | 1.00  | 1.00  | 1.00  | 1.00  | 1.00  | 1.00  | 1.00  | 1.02  | 1.02  | 1.02  | 1.02  |
|               | 23             | TC           | 19777 | 19979 | 20182 | 20385 | 20975 | 20975 | 20975 | 21176 | 21501 | 21501 | 21501 | 21501 | 22801 | 22801 | 22801 | 22801 |
|               |                | S/T          | 0.80  | 0.91  | 1.00  | 1.00  | 0.61  | 0.73  | 0.84  | 1.00  | 0.52  | 0.63  | 0.75  | 0.86  | 0.33  | 0.43  | 0.53  | 0.65  |
|               |                | PI           | 1.00  | 1.00  | 1.00  | 1.00  | 1.00  | 1.00  | 1.00  | 1.00  | 1.00  | 1.00  | 1.00  | 1.00  | 1.02  | 1.02  | 1.02  | 1.02  |
|               | 32             | TC           | 19678 | 19879 | 20081 | 20283 | 20895 | 20895 | 20895 | 21096 | 21441 | 21441 | 21441 | 21441 | 22782 | 22782 | 22782 | 22782 |
|               |                | S/T          | 0.80  | 0.91  | 1.00  | 1.00  | 0.62  | 0.74  | 0.84  | 1.00  | 0.52  | 0.64  | 0.76  | 0.86  | 0.33  | 0.43  | 0.53  | 0.66  |
|               |                | PI           | 1.01  | 1.01  | 1.01  | 1.01  | 1.00  | 1.00  | 1.00  | 1.00  | 1.01  | 1.01  | 1.01  | 1.01  | 1.02  | 1.02  | 1.02  | 1.02  |
|               | 41             | TC           | 19579 | 19780 | 19980 | 20181 | 20816 | 20816 | 20816 | 21016 | 21372 | 21372 | 21372 | 21372 | 22763 | 22763 | 22763 | 22763 |
|               |                | S/T          | 0.81  | 0.92  | 0.99  | 0.99  | 0.62  | 0.74  | 0.85  | 1.00  | 0.52  | 0.64  | 0.76  | 0.87  | 0.33  | 0.43  | 0.53  | 0.66  |
|               |                | PI           | 1.02  | 1.02  | 1.02  | 1.02  | 1.01  | 1.01  | 1.01  | 1.01  | 1.01  | 1.01  | 1.01  | 1.01  | 1.03  | 1.03  | 1.03  | 1.03  |
|               | 50             | TC           | 19460 | 19660 | 19859 | 20058 | 20717 | 20717 | 20717 | 20916 | 21283 | 21283 | 21283 | 21283 | 22704 | 22704 | 22704 | 22704 |
|               |                | S/T          | 0.81  | 0.92  | 1.00  | 1.00  | 0.62  | 0.74  | 0.85  | 1.00  | 0.52  | 0.64  | 0.76  | 0.87  | 0.34  | 0.44  | 0.53  | 0.66  |
|               |                | PI           | 1.04  | 1.04  | 1.04  | 1.04  | 1.03  | 1.03  | 1.03  | 1.03  | 1.03  | 1.03  | 1.03  | 1.03  | 1.04  | 1.04  | 1.04  | 1.04  |
|               | 59             | TC           | 19302 | 19500 | 19698 | 19895 | 20578 | 20578 | 20578 | 20776 | 21154 | 21154 | 21154 | 21154 | 22607 | 22607 | 22607 | 22607 |
|               |                | S/T          | 0.82  | 0.93  | 1.00  | 1.00  | 0.63  | 0.75  | 0.86  | 0.98  | 0.53  | 0.65  | 0.77  | 0.88  | 0.34  | 0.44  | 0.54  | 0.67  |
|               |                | PI           | 1.06  | 1.06  | 1.06  | 1.06  | 1.05  | 1.05  | 1.05  | 1.05  | 1.05  | 1.05  | 1.05  | 1.05  | 1.07  | 1.07  | 1.07  | 1.07  |
|               | 68             | TC           | 19084 | 19280 | 19476 | 19671 | 20360 | 20360 | 20360 | 20556 | 20947 | 20947 | 20947 | 20947 | 22413 | 22413 | 22413 | 22413 |
|               |                | S/T          | 0.82  | 0.93  | 1.00  | 1.00  | 0.63  | 0.75  | 0.86  | 0.98  | 0.53  | 0.65  | 0.77  | 0.88  | 0.34  | 0.44  | 0.54  | 0.67  |
|               |                | PI           | 1.10  | 1.10  | 1.10  | 1.10  | 1.09  | 1.09  | 1.09  | 1.09  | 1.09  | 1.09  | 1.09  | 1.09  | 1.10  | 1.10  | 1.10  | 1.10  |
|               | 77             | TC           | 18204 | 18400 | 18596 | 18791 | 19480 | 19480 | 19480 | 19676 | 20067 | 20067 | 20067 | 20067 | 21533 | 21533 | 21533 | 21533 |
|               |                | S/T          | 0.83  | 0.95  | 1.00  | 1.00  | 0.62  | 0.75  | 0.88  | 1.00  | 0.55  | 0.66  | 0.79  | 0.90  | 0.34  | 0.44  | 0.56  | 0.68  |
|               |                | PI           | 1.21  | 1.21  | 1.21  | 1.21  | 1.21  | 1.21  | 1.21  | 1.21  | 1.21  | 1.21  | 1.21  | 1.21  | 1.21  | 1.21  | 1.21  | 1.21  |
|               | 86             | TC           | 17422 | 17618 | 17813 | 18009 | 18498 | 18498 | 18498 | 18693 | 18987 | 18987 | 18987 | 19388 | 20453 | 20453 | 20453 | 20453 |
|               |                | S/T          | 0.85  | 0.99  | 1.00  | 1.00  | 0.64  | 0.78  | 0.91  | 1.00  | 0.54  | 0.67  | 0.80  | 0.92  | 0.32  | 0.46  | 0.57  | 0.69  |
|               |                | PI           | 1.33  | 1.33  | 1.33  | 1.33  | 1.33  | 1.33  | 1.33  | 1.33  | 1.33  | 1.33  | 1.33  | 1.33  | 1.34  | 1.34  | 1.34  | 1.34  |
|               | 95             | TC           | 16542 | 16738 | 16933 | 17129 | 17618 | 17618 | 18020 | 18216 | 18107 | 18107 | 18400 | 18596 | 19476 | 19476 | 19476 | 19476 |
|               |                | S/T          | 0.87  | 1.00  | 1.00  | 1.00  | 0.65  | 0.79  | 0.92  | 1.00  | 0.56  | 0.68  | 0.83  | 0.93  | 0.32  | 0.45  | 0.58  | 0.69  |
|               |                | PI           | 1.45  | 1.45  | 1.45  | 1.45  | 1.44  | 1.44  | 1.44  | 1.44  | 1.46  | 1.46  | 1.46  | 1.46  | 1.48  | 1.48  | 1.48  | 1.48  |
|               | 104            | TC           | 15513 | 15664 | 15814 | 15965 | 16587 | 16587 | 16895 | 17089 | 17075 | 17075 | 17234 | 17429 | 18395 | 18395 | 18395 | 18395 |
|               |                | S/T          | 0.92  | 1.00  | 1.00  | 1.00  | 0.67  | 0.84  | 0.97  | 1.00  | 0.57  | 0.72  | 0.87  | 1.00  | 0.33  | 0.45  | 0.59  | 1.00  |
|               |                | PI           | 1.61  | 1.61  | 1.61  | 1.61  | 1.61  | 1.61  | 1.61  | 1.61  | 1.61  | 1.61  | 1.61  | 1.61  | 1.64  | 1.64  | 1.64  | 1.64  |
|               | 115            | TC           | 14341 | 14438 | 14536 | 14633 | 15418 | 15418 | 15613 | 15808 | 15905 | 15905 | 15905 | 16100 | 17172 | 17172 | 17172 | 17172 |
|               |                | S/T          | 0.92  | 1.00  | 1.00  | 1.00  | 0.68  | 0.84  | 0.99  | 1.00  | 0.58  | 0.73  | 0.87  | 1.00  | 0.31  | 0.47  | 0.60  | 1.00  |
|               |                | PI           | 1.79  | 1.79  | 1.79  | 1.79  | 1.80  | 1.80  | 1.80  | 1.80  | 1.79  | 1.79  | 1.79  | 1.79  | 1.82  | 1.82  | 1.82  | 1.82  |
| 122           | TC             | 13464        | 13561 | 13659 | 13756 | 14341 | 14341 | 14438 | 14536 | 14828 | 14828 | 14828 | 14926 | 16197 | 16197 | 16197 | 16197 |       |
|               | S/T            | 0.97         | 1.00  | 1.00  | 1.00  | 0.71  | 0.88  | 1.00  | 1.00  | 0.59  | 0.75  | 0.91  | 1.00  | 0.32  | 0.46  | 0.61  | 1.00  |       |
|               | PI             | 1.94         | 1.94  | 1.94  | 1.94  | 1.95  | 1.95  | 1.95  | 1.95  | 1.95  | 1.95  | 1.95  | 1.95  | 1.97  | 1.97  | 1.97  | 1.97  |       |

**LEGEND**  
 TC - Total Cooling Capacity (BTU/hr)  
 S/T - Sensible Cooling Capacity Ratio  
 PI - Power Input (kW)  
 Gray shaded area is Extrapolated Data

Manufacturer reserves the right to change, at any time, specifications and designs without notice and without obligations.

HEATING PERFORMANCE AT INDOOR DRY BULB TEMPERATURE - 18K HH (Sheet 1 of 2)

| AIRFLOW (CFM) | OUTDOOR DB (F) | TC: TOTAL CAPACITY IN BTU/HR |       |       |       | PI: TOTAL POWER IN KILOWATTS |      |      |      |
|---------------|----------------|------------------------------|-------|-------|-------|------------------------------|------|------|------|
|               |                | Indoor Conditions (DB F)     |       |       |       | Indoor Conditions (DB F)     |      |      |      |
|               |                | 60.8                         | 68.0  | 71.6  | 75.2  | 60.8                         | 68.0 | 71.6 | 75.2 |
| 489           | -22.0          | 13894                        | 13826 | 13758 | 13690 | 1.65                         | 1.72 | 1.65 | 1.66 |
|               | -10.0          | 15987                        | 15909 | 15830 | 15752 | 1.94                         | 2.01 | 1.94 | 1.94 |
|               | 0.0            | 17731                        | 17644 | 17557 | 17470 | 2.17                         | 2.25 | 2.17 | 2.18 |
|               | 5.0            | 18664                        | 18572 | 18481 | 18389 | 2.30                         | 2.39 | 2.30 | 2.31 |
|               | 14.0           | 19929                        | 19831 | 19734 | 19636 | 2.45                         | 2.55 | 2.45 | 2.46 |
|               | 17.0           | 20878                        | 20776 | 20673 | 20571 | 2.61                         | 2.71 | 2.61 | 2.62 |
|               | 22.0           | 20182                        | 20083 | 19984 | 19885 | 2.51                         | 2.50 | 2.50 | 2.50 |
|               | 27.0           | 19490                        | 19292 | 19193 | 19094 | 2.31                         | 2.30 | 2.29 | 2.29 |
|               | 32.0           | 18500                        | 18401 | 18302 | 18204 | 2.11                         | 2.09 | 2.08 | 2.07 |
|               | 37.0           | 18204                        | 18006 | 17907 | 17709 | 1.93                         | 1.90 | 1.89 | 1.87 |
|               | 42.0           | 18302                        | 18105 | 18006 | 17907 | 1.76                         | 1.72 | 1.70 | 1.69 |
|               | 44.6           | 18607                        | 18406 | 18505 | 18406 | 1.66                         | 1.51 | 1.60 | 1.58 |
|               | 52.0           | 18307                        | 18109 | 17911 | 17813 | 1.38                         | 1.33 | 1.30 | 1.27 |
|               | 57.0           | 18010                        | 17714 | 17516 | 17417 | 1.19                         | 1.14 | 1.11 | 1.07 |
|               | 62.0           | 17615                        | 17318 | 17120 | 17021 | 1.01                         | 0.94 | 0.90 | 0.87 |
| 64.4          | 17417          | 17120                        | 16922 | 16823 | 0.92  | 0.85                         | 0.81 | 0.77 |      |
| 530           | -22.0          | 14271                        | 14135 | 14066 | 14066 | 1.67                         | 1.73 | 1.67 | 1.67 |
|               | -10.0          | 16421                        | 16263 | 16185 | 16185 | 1.96                         | 2.03 | 1.96 | 1.96 |
|               | 0.0            | 18212                        | 18038 | 17950 | 17950 | 2.20                         | 2.28 | 2.20 | 2.20 |
|               | 5.0            | 19170                        | 18986 | 18895 | 18895 | 2.33                         | 2.41 | 2.33 | 2.33 |
|               | 14.0           | 20470                        | 20274 | 20176 | 20176 | 2.48                         | 2.57 | 2.48 | 2.48 |
|               | 17.0           | 21444                        | 21239 | 21136 | 21136 | 2.64                         | 2.73 | 2.64 | 2.64 |
|               | 22.0           | 20677                        | 20479 | 20380 | 20380 | 2.53                         | 2.53 | 2.53 | 2.53 |
|               | 27.0           | 19885                        | 19688 | 19589 | 19589 | 2.33                         | 2.32 | 2.32 | 2.31 |
|               | 32.0           | 18995                        | 18797 | 18698 | 18599 | 2.14                         | 2.12 | 2.11 | 2.10 |
|               | 37.0           | 18599                        | 18401 | 18204 | 18105 | 1.95                         | 1.92 | 1.91 | 1.90 |
|               | 42.0           | 18797                        | 18500 | 18401 | 18302 | 1.78                         | 1.74 | 1.73 | 1.71 |
|               | 44.6           | 19104                        | 18802 | 18901 | 18802 | 1.68                         | 1.53 | 1.62 | 1.60 |
|               | 52.0           | 18703                        | 18505 | 18307 | 18208 | 1.40                         | 1.34 | 1.32 | 1.29 |
|               | 57.0           | 18307                        | 18109 | 17911 | 17813 | 1.21                         | 1.16 | 1.12 | 1.09 |
|               | 62.0           | 18010                        | 17714 | 17516 | 17318 | 1.03                         | 0.96 | 0.92 | 0.88 |
| 64.4          | 17813          | 17516                        | 17318 | 17120 | 0.94  | 0.86                         | 0.82 | 0.78 |      |

HEATING PERFORMANCE AT INDOOR DRY BULB TEMPERATURE - 18K HH (Sheet 2 of 2)

| AIRFLOW (CFM) | OUTDOOR DB (F) | TC: TOTAL CAPACITY IN BTU/HR |       |       |       | PI: TOTAL POWER IN KILOWATTS |      |      |      |
|---------------|----------------|------------------------------|-------|-------|-------|------------------------------|------|------|------|
|               |                | Indoor Conditions (DB F)     |       |       |       | Indoor Conditions (DB F)     |      |      |      |
|               |                | 60.8                         | 68.0  | 71.6  | 75.2  | 60.8                         | 68.0 | 71.6 | 75.2 |
| 577           | -22.0          | 14424                        | 14287 | 14287 | 14219 | 1.68                         | 1.75 | 1.68 | 1.69 |
|               | -10.0          | 16596                        | 16439 | 16439 | 16360 | 1.97                         | 2.05 | 1.97 | 1.98 |
|               | 0.0            | 18407                        | 18232 | 18232 | 18145 | 2.21                         | 2.30 | 2.21 | 2.22 |
|               | 5.0            | 19375                        | 19191 | 19191 | 19100 | 2.35                         | 2.43 | 2.35 | 2.35 |
|               | 14.0           | 20689                        | 20492 | 20492 | 20394 | 2.50                         | 2.59 | 2.50 | 2.51 |
|               | 17.0           | 21674                        | 21468 | 21468 | 21366 | 2.66                         | 2.76 | 2.66 | 2.67 |
|               | 22.0           | 20875                        | 20677 | 20677 | 20578 | 2.55                         | 2.55 | 2.55 | 2.55 |
|               | 27.0           | 20083                        | 19885 | 19885 | 19786 | 2.35                         | 2.34 | 2.34 | 2.33 |
|               | 32.0           | 19193                        | 18995 | 18896 | 18797 | 2.16                         | 2.14 | 2.13 | 2.12 |
|               | 37.0           | 18797                        | 18599 | 18401 | 18302 | 1.97                         | 1.95 | 1.93 | 1.92 |
|               | 42.0           | 18995                        | 18698 | 18599 | 18500 | 1.80                         | 1.76 | 1.75 | 1.73 |
|               | 44.6           | 19302                        | 19000 | 19099 | 19000 | 1.70                         | 1.55 | 1.64 | 1.62 |
|               | 52.0           | 18901                        | 18703 | 18505 | 18406 | 1.42                         | 1.36 | 1.34 | 1.31 |
|               | 57.0           | 18505                        | 18208 | 18109 | 18010 | 1.23                         | 1.16 | 1.14 | 1.11 |
|               | 62.0           | 18109                        | 17813 | 17714 | 17516 | 1.05                         | 0.98 | 0.94 | 0.90 |
| 64.4          | 18010          | 17615                        | 17516 | 17318 | 0.96  | 0.88                         | 0.84 | 0.80 |      |
| 618           | -22.0          | 14578                        | 14441 | 14511 | 14373 | 1.70                         | 1.76 | 1.70 | 1.71 |
|               | -10.0          | 16774                        | 16616 | 16697 | 16538 | 1.99                         | 2.06 | 1.99 | 2.00 |
|               | 0.0            | 18604                        | 18429 | 18518 | 18342 | 2.23                         | 2.31 | 2.23 | 2.25 |
|               | 5.0            | 19582                        | 19398 | 19493 | 19307 | 2.36                         | 2.45 | 2.36 | 2.38 |
|               | 14.0           | 20910                        | 20714 | 20814 | 20615 | 2.52                         | 2.62 | 2.52 | 2.54 |
|               | 17.0           | 21906                        | 21700 | 21805 | 21597 | 2.68                         | 2.78 | 2.68 | 2.70 |
|               | 22.0           | 21074                        | 20877 | 20978 | 20778 | 2.57                         | 2.57 | 2.57 | 2.57 |
|               | 27.0           | 20283                        | 20085 | 20187 | 19986 | 2.37                         | 2.36 | 2.36 | 2.35 |
|               | 32.0           | 19393                        | 19195 | 19096 | 18997 | 2.18                         | 2.16 | 2.15 | 2.14 |
|               | 37.0           | 18997                        | 18799 | 18601 | 18502 | 1.99                         | 1.98 | 1.95 | 1.94 |
|               | 42.0           | 19195                        | 18898 | 18799 | 18700 | 1.82                         | 1.78 | 1.77 | 1.75 |
|               | 44.6           | 19502                        | 19200 | 19299 | 19200 | 1.72                         | 1.57 | 1.66 | 1.64 |
|               | 52.0           | 19101                        | 18903 | 18705 | 18606 | 1.44                         | 1.38 | 1.36 | 1.33 |
|               | 57.0           | 18705                        | 18308 | 18309 | 18211 | 1.25                         | 1.17 | 1.16 | 1.13 |
|               | 62.0           | 18209                        | 17912 | 17914 | 17716 | 1.07                         | 1.00 | 0.96 | 0.92 |
| 64.4          | 18211          | 17714                        | 17716 | 17518 | 0.98  | 0.90                         | 0.86 | 0.82 |      |

Gray shaded area is Extrapolated Data

COOLING PERFORMANCE - 24K (Sheet 1 of 4)

| AIRFLOW<br>(CFM) | OUTDOOR<br>DB (F) | ID WB (F) | 60.8  |       |       |       | 64.4  |       |       |       | 66.2  |       |       |       | 71.6  |       |       |       |
|------------------|-------------------|-----------|-------|-------|-------|-------|-------|-------|-------|-------|-------|-------|-------|-------|-------|-------|-------|-------|
|                  |                   | ID DB (F) | 73.4  | 77.0  | 80.6  | 84.2  | 73.4  | 77.0  | 80.6  | 84.2  | 73.4  | 77.0  | 80.6  | 84.2  | 73.4  | 77.0  | 80.6  | 84.2  |
| 630              | -22               | TC        | 25495 | 25474 | 25683 | 25891 | 26699 | 27226 | 27226 | 27535 | 27361 | 27361 | 27361 | 27361 | 28838 | 28838 | 28838 | 28838 |
|                  |                   | S/T       | 0.72  | 0.82  | 0.91  | 0.95  | 0.57  | 0.66  | 0.75  | 0.84  | 0.49  | 0.58  | 0.68  | 0.76  | 0.33  | 0.42  | 0.49  | 0.58  |
|                  |                   | PI        | 1.78  | 1.79  | 1.79  | 1.78  | 1.79  | 1.79  | 1.79  | 1.79  | 1.80  | 1.80  | 1.80  | 1.80  | 1.81  | 1.81  | 1.81  | 1.81  |
|                  | -10               | TC        | 25306 | 25286 | 25493 | 25700 | 26547 | 27072 | 27072 | 27379 | 27224 | 27224 | 27224 | 27224 | 28751 | 28751 | 28751 | 28751 |
|                  |                   | S/T       | 0.73  | 0.82  | 0.92  | 0.96  | 0.57  | 0.66  | 0.76  | 0.84  | 0.50  | 0.58  | 0.68  | 0.77  | 0.34  | 0.42  | 0.50  | 0.58  |
|                  |                   | PI        | 1.61  | 1.62  | 1.62  | 1.61  | 1.62  | 1.62  | 1.62  | 1.62  | 1.62  | 1.62  | 1.62  | 1.62  | 1.63  | 1.63  | 1.63  | 1.63  |
|                  | 0                 | TC        | 25149 | 25129 | 25335 | 25541 | 26421 | 26943 | 26943 | 27249 | 27110 | 27110 | 27110 | 27110 | 28678 | 28678 | 28678 | 28678 |
|                  |                   | S/T       | 0.73  | 0.83  | 0.92  | 0.96  | 0.58  | 0.67  | 0.76  | 0.85  | 0.50  | 0.59  | 0.68  | 0.77  | 0.34  | 0.42  | 0.50  | 0.59  |
|                  |                   | PI        | 1.51  | 1.51  | 1.51  | 1.51  | 1.51  | 1.51  | 1.51  | 1.51  | 1.51  | 1.51  | 1.51  | 1.51  | 1.51  | 1.51  | 1.51  | 1.51  |
|                  | 5                 | TC        | 25076 | 25055 | 25261 | 25466 | 26373 | 26894 | 26894 | 27199 | 27070 | 27070 | 27070 | 27070 | 28659 | 28659 | 28659 | 28659 |
|                  |                   | S/T       | 0.73  | 0.83  | 0.93  | 0.97  | 0.58  | 0.67  | 0.76  | 0.85  | 0.50  | 0.59  | 0.69  | 0.77  | 0.34  | 0.42  | 0.50  | 0.59  |
|                  |                   | PI        | 1.42  | 1.42  | 1.42  | 1.42  | 1.41  | 1.41  | 1.41  | 1.41  | 1.41  | 1.41  | 1.41  | 1.41  | 1.41  | 1.41  | 1.41  | 1.41  |
|                  | 14                | TC        | 24927 | 24907 | 25111 | 25315 | 26225 | 26743 | 26743 | 27046 | 26934 | 26934 | 26934 | 26934 | 28562 | 28562 | 28562 | 28562 |
|                  |                   | S/T       | 0.74  | 0.83  | 0.93  | 0.97  | 0.58  | 0.67  | 0.77  | 0.85  | 0.50  | 0.59  | 0.69  | 0.78  | 0.34  | 0.43  | 0.50  | 0.59  |
|                  |                   | PI        | 1.41  | 1.41  | 1.41  | 1.41  | 1.41  | 1.41  | 1.41  | 1.41  | 1.41  | 1.41  | 1.41  | 1.41  | 1.41  | 1.41  | 1.41  | 1.41  |
|                  | 23                | TC        | 24778 | 24758 | 24961 | 25164 | 26126 | 26642 | 26642 | 26945 | 26835 | 26835 | 26835 | 26835 | 28489 | 28489 | 28489 | 28489 |
|                  |                   | S/T       | 0.74  | 0.84  | 0.94  | 0.98  | 0.59  | 0.67  | 0.77  | 0.86  | 0.51  | 0.59  | 0.69  | 0.78  | 0.34  | 0.43  | 0.51  | 0.59  |
|                  |                   | PI        | 1.41  | 1.41  | 1.41  | 1.41  | 1.41  | 1.41  | 1.41  | 1.41  | 1.41  | 1.41  | 1.41  | 1.41  | 1.41  | 1.41  | 1.41  | 1.41  |
|                  | 32                | TC        | 24655 | 24634 | 24836 | 25038 | 26027 | 26541 | 26541 | 26843 | 26761 | 26761 | 26761 | 26761 | 28465 | 28465 | 28465 | 28465 |
|                  |                   | S/T       | 0.74  | 0.84  | 0.94  | 0.98  | 0.59  | 0.68  | 0.77  | 0.86  | 0.51  | 0.60  | 0.70  | 0.78  | 0.34  | 0.43  | 0.51  | 0.60  |
|                  |                   | PI        | 1.41  | 1.42  | 1.42  | 1.41  | 1.41  | 1.41  | 1.41  | 1.41  | 1.42  | 1.42  | 1.42  | 1.42  | 1.42  | 1.42  | 1.42  | 1.42  |
|                  | 41                | TC        | 24531 | 24511 | 24712 | 24912 | 25928 | 26440 | 26440 | 26741 | 26675 | 26675 | 26675 | 26675 | 28441 | 28441 | 28441 | 28441 |
|                  |                   | S/T       | 0.75  | 0.85  | 0.95  | 0.99  | 0.59  | 0.68  | 0.78  | 0.87  | 0.51  | 0.60  | 0.70  | 0.79  | 0.34  | 0.43  | 0.51  | 0.60  |
|                  |                   | PI        | 1.42  | 1.43  | 1.43  | 1.42  | 1.42  | 1.42  | 1.42  | 1.42  | 1.43  | 1.43  | 1.43  | 1.43  | 1.43  | 1.43  | 1.43  | 1.43  |
|                  | 50                | TC        | 24382 | 24362 | 24562 | 24761 | 25805 | 26314 | 26314 | 26614 | 26563 | 26563 | 26563 | 26563 | 28368 | 28368 | 28368 | 28368 |
|                  |                   | S/T       | 0.75  | 0.85  | 0.95  | 0.99  | 0.59  | 0.69  | 0.78  | 0.87  | 0.51  | 0.60  | 0.70  | 0.79  | 0.35  | 0.44  | 0.51  | 0.60  |
|                  |                   | PI        | 1.45  | 1.45  | 1.45  | 1.45  | 1.45  | 1.45  | 1.45  | 1.45  | 1.45  | 1.45  | 1.45  | 1.45  | 1.45  | 1.45  | 1.45  | 1.45  |
|                  | 59                | TC        | 24184 | 24164 | 24362 | 24560 | 25632 | 26138 | 26138 | 26435 | 26403 | 26403 | 26403 | 26403 | 28247 | 28247 | 28247 | 28247 |
|                  |                   | S/T       | 0.76  | 0.86  | 0.96  | 1.00  | 0.60  | 0.69  | 0.79  | 0.88  | 0.52  | 0.61  | 0.71  | 0.80  | 0.35  | 0.44  | 0.52  | 0.61  |
|                  |                   | PI        | 1.48  | 1.49  | 1.49  | 1.48  | 1.48  | 1.48  | 1.48  | 1.48  | 1.48  | 1.48  | 1.48  | 1.48  | 1.48  | 1.48  | 1.48  | 1.48  |
|                  | 68                | TC        | 23911 | 23892 | 24088 | 24283 | 25360 | 25360 | 25360 | 25654 | 26144 | 26144 | 26144 | 26144 | 28004 | 28004 | 28004 | 28004 |
|                  |                   | S/T       | 0.76  | 0.86  | 0.96  | 1.00  | 0.60  | 0.69  | 0.79  | 0.88  | 0.52  | 0.61  | 0.71  | 0.80  | 0.35  | 0.44  | 0.52  | 0.61  |
|                  |                   | PI        | 1.54  | 1.54  | 1.54  | 1.54  | 1.53  | 1.53  | 1.53  | 1.53  | 1.53  | 1.53  | 1.53  | 1.53  | 1.52  | 1.52  | 1.52  | 1.52  |
|                  | 77                | TC        | 22815 | 22815 | 23010 | 23206 | 24185 | 24185 | 24185 | 24381 | 24969 | 24969 | 24969 | 24969 | 26829 | 26829 | 26829 | 26829 |
|                  |                   | S/T       | 0.77  | 0.87  | 0.98  | 1.00  | 0.60  | 0.70  | 0.80  | 0.90  | 0.52  | 0.62  | 0.72  | 0.82  | 0.35  | 0.44  | 0.53  | 0.62  |
|                  |                   | PI        | 1.69  | 1.69  | 1.69  | 1.69  | 1.69  | 1.69  | 1.69  | 1.69  | 1.69  | 1.69  | 1.69  | 1.69  | 1.69  | 1.69  | 1.69  | 1.69  |
| 86               | TC                | 21738     | 21933 | 22129 | 22325 | 23108 | 23108 | 23108 | 23304 | 23794 | 23794 | 23794 | 23794 | 25654 | 25654 | 25654 | 25654 |       |
|                  | S/T               | 0.78      | 0.89  | 1.00  | 1.00  | 0.61  | 0.71  | 0.82  | 0.92  | 0.53  | 0.63  | 0.73  | 0.84  | 0.34  | 0.44  | 0.53  | 0.63  |       |
|                  | PI                | 1.85      | 1.85  | 1.85  | 1.85  | 1.85  | 1.85  | 1.85  | 1.85  | 1.85  | 1.85  | 1.85  | 1.85  | 1.86  | 1.86  | 1.86  | 1.86  |       |
| 95               | TC                | 20660     | 20856 | 21052 | 21248 | 21933 | 21933 | 21933 | 22129 | 22619 | 22619 | 23010 | 22619 | 24479 | 24479 | 24479 | 24479 |       |
|                  | S/T               | 0.80      | 0.91  | 1.00  | 1.00  | 0.62  | 0.73  | 0.84  | 0.95  | 0.53  | 0.64  | 0.74  | 0.86  | 0.34  | 0.44  | 0.54  | 0.64  |       |
|                  | PI                | 2.03      | 2.03  | 2.03  | 2.03  | 2.03  | 2.03  | 2.03  | 2.03  | 2.04  | 2.04  | 2.04  | 2.04  | 2.05  | 2.05  | 2.05  | 2.05  |       |
| 104              | TC                | 19492     | 19689 | 19885 | 20081 | 20723 | 20723 | 20812 | 21008 | 21410 | 21410 | 21624 | 21499 | 23139 | 23139 | 23139 | 23139 |       |
|                  | S/T               | 0.83      | 0.95  | 1.00  | 1.00  | 0.63  | 0.75  | 0.88  | 0.99  | 0.54  | 0.66  | 0.78  | 0.89  | 0.34  | 0.45  | 0.55  | 0.66  |       |
|                  | PI                | 2.24      | 2.24  | 2.24  | 2.24  | 2.24  | 2.24  | 2.24  | 2.24  | 2.25  | 2.25  | 2.25  | 2.25  | 2.26  | 2.26  | 2.26  | 2.26  |       |
| 115              | TC                | 18048     | 18244 | 18440 | 18636 | 19225 | 19225 | 19421 | 19617 | 19911 | 19911 | 19911 | 20108 | 21481 | 21481 | 21481 | 21481 |       |
|                  | S/T               | 0.84      | 0.97  | 1.00  | 1.00  | 0.64  | 0.77  | 0.89  | 1.00  | 0.55  | 0.67  | 0.79  | 0.91  | 0.33  | 0.45  | 0.56  | 0.68  |       |
|                  | PI                | 2.48      | 2.48  | 2.48  | 2.48  | 2.50  | 2.50  | 2.50  | 2.50  | 2.50  | 2.50  | 2.50  | 2.50  | 2.52  | 2.52  | 2.52  | 2.52  |       |
| 122              | TC                | 16871     | 17067 | 17263 | 17459 | 18048 | 18048 | 18244 | 18440 | 18734 | 18734 | 18734 | 18931 | 20304 | 20304 | 20304 | 20304 |       |
|                  | S/T               | 0.87      | 1.00  | 1.00  | 1.00  | 0.65  | 0.79  | 0.92  | 1.00  | 0.55  | 0.68  | 0.81  | 0.94  | 0.33  | 0.45  | 0.57  | 0.69  |       |
|                  | PI                | 2.70      | 2.70  | 2.70  | 2.70  | 2.71  | 2.71  | 2.71  | 2.71  | 2.71  | 2.71  | 2.71  | 2.71  | 2.74  | 2.74  | 2.74  | 2.74  |       |

Manufacturer reserves the right to change, at any time, specifications and designs without notice and without obligations.

COOLING PERFORMANCE - 24K (Sheet 2 of 4)

| AIRFLOW<br>(CFM) | OUTDOOR<br>DB (F) | ID WB (F) | 60.8  |       |       |       | 64.4  |       |       |       | 66.2  |       |       |       | 71.6  |       |       |       |
|------------------|-------------------|-----------|-------|-------|-------|-------|-------|-------|-------|-------|-------|-------|-------|-------|-------|-------|-------|-------|
|                  |                   | ID DB (F) | 73.4  | 77.0  | 80.6  | 84.2  | 73.4  | 77.0  | 80.6  | 84.2  | 73.4  | 77.0  | 80.6  | 84.2  | 73.4  | 77.0  | 80.6  | 84.2  |
| 695              | -22               | TC        | 26007 | 26216 | 26529 | 26843 | 27226 | 27226 | 27226 | 27535 | 27885 | 27885 | 27885 | 27885 | 29456 | 29456 | 29456 | 29456 |
|                  |                   | S/T       | 0.74  | 0.84  | 0.97  | 1.00  | 0.58  | 0.68  | 0.77  | 0.87  | 0.50  | 0.60  | 0.69  | 0.79  | 0.32  | 0.42  | 0.50  | 0.60  |
|                  |                   | PI        | 1.78  | 1.79  | 1.79  | 1.78  | 1.79  | 1.79  | 1.79  | 1.79  | 1.79  | 1.80  | 1.80  | 1.80  | 1.80  | 1.81  | 1.81  | 1.81  |
|                  | -10               | TC        | 25815 | 26022 | 26333 | 26644 | 27072 | 27072 | 27072 | 27379 | 27746 | 27746 | 27746 | 27746 | 29367 | 29367 | 29367 | 29367 |
|                  |                   | S/T       | 0.75  | 0.84  | 0.97  | 1.00  | 0.58  | 0.68  | 0.78  | 0.87  | 0.51  | 0.60  | 0.70  | 0.79  | 0.33  | 0.42  | 0.51  | 0.60  |
|                  |                   | PI        | 1.61  | 1.62  | 1.62  | 1.61  | 1.62  | 1.62  | 1.62  | 1.62  | 1.62  | 1.62  | 1.62  | 1.62  | 1.63  | 1.63  | 1.63  | 1.63  |
|                  | 0                 | TC        | 25655 | 25861 | 26170 | 26479 | 26943 | 26943 | 26943 | 27249 | 27630 | 27630 | 27630 | 27630 | 29293 | 29293 | 29293 | 29293 |
|                  |                   | S/T       | 0.75  | 0.85  | 0.98  | 1.00  | 0.59  | 0.68  | 0.78  | 0.88  | 0.51  | 0.61  | 0.70  | 0.80  | 0.33  | 0.42  | 0.51  | 0.61  |
|                  |                   | PI        | 1.54  | 1.54  | 1.54  | 1.54  | 1.54  | 1.54  | 1.54  | 1.54  | 1.54  | 1.54  | 1.54  | 1.54  | 1.54  | 1.54  | 1.54  | 1.54  |
|                  | 5                 | TC        | 25580 | 25785 | 26093 | 26402 | 26894 | 26894 | 26894 | 27199 | 27588 | 27588 | 27588 | 27588 | 29273 | 29273 | 29273 | 29273 |
|                  |                   | S/T       | 0.75  | 0.85  | 0.98  | 1.00  | 0.59  | 0.69  | 0.78  | 0.88  | 0.51  | 0.61  | 0.70  | 0.80  | 0.33  | 0.42  | 0.51  | 0.61  |
|                  |                   | PI        | 1.45  | 1.45  | 1.45  | 1.45  | 1.44  | 1.44  | 1.44  | 1.44  | 1.44  | 1.44  | 1.44  | 1.44  | 1.44  | 1.44  | 1.44  | 1.44  |
|                  | 14                | TC        | 25428 | 25632 | 25939 | 26245 | 26743 | 26743 | 26743 | 27046 | 27450 | 27450 | 27450 | 27450 | 29174 | 29174 | 29174 | 29174 |
|                  |                   | S/T       | 0.76  | 0.85  | 0.99  | 1.00  | 0.59  | 0.69  | 0.79  | 0.88  | 0.51  | 0.61  | 0.71  | 0.81  | 0.33  | 0.43  | 0.51  | 0.61  |
|                  |                   | PI        | 1.44  | 1.44  | 1.44  | 1.44  | 1.44  | 1.44  | 1.44  | 1.44  | 1.44  | 1.44  | 1.44  | 1.44  | 1.44  | 1.44  | 1.44  | 1.44  |
|                  | 23                | TC        | 25277 | 25480 | 25784 | 26089 | 26642 | 26642 | 26642 | 26945 | 27349 | 27349 | 27349 | 27349 | 29099 | 29099 | 29099 | 29099 |
|                  |                   | S/T       | 0.76  | 0.86  | 0.99  | 1.00  | 0.59  | 0.69  | 0.79  | 0.89  | 0.52  | 0.61  | 0.71  | 0.81  | 0.33  | 0.43  | 0.52  | 0.61  |
|                  |                   | PI        | 1.44  | 1.44  | 1.44  | 1.44  | 1.43  | 1.43  | 1.43  | 1.43  | 1.44  | 1.44  | 1.44  | 1.44  | 1.44  | 1.44  | 1.44  | 1.44  |
|                  | 32                | TC        | 25150 | 25352 | 25655 | 25958 | 26541 | 26541 | 26541 | 26843 | 27274 | 27274 | 27274 | 27274 | 29075 | 29075 | 29075 | 29075 |
|                  |                   | S/T       | 0.76  | 0.86  | 1.00  | 1.00  | 0.60  | 0.70  | 0.79  | 0.89  | 0.52  | 0.62  | 0.72  | 0.81  | 0.33  | 0.43  | 0.52  | 0.62  |
|                  |                   | PI        | 1.44  | 1.44  | 1.44  | 1.44  | 1.44  | 1.44  | 1.44  | 1.44  | 1.44  | 1.44  | 1.44  | 1.44  | 1.44  | 1.44  | 1.44  | 1.44  |
|                  | 41                | TC        | 25024 | 25225 | 25526 | 25828 | 26440 | 26440 | 26440 | 26741 | 27186 | 27186 | 27186 | 27186 | 29050 | 29050 | 29050 | 29050 |
|                  |                   | S/T       | 0.77  | 0.87  | 1.00  | 1.00  | 0.60  | 0.70  | 0.80  | 0.90  | 0.52  | 0.62  | 0.72  | 0.82  | 0.33  | 0.43  | 0.52  | 0.62  |
|                  |                   | PI        | 1.46  | 1.46  | 1.46  | 1.46  | 1.45  | 1.45  | 1.45  | 1.45  | 1.46  | 1.46  | 1.46  | 1.46  | 1.46  | 1.46  | 1.46  | 1.46  |
|                  | 50                | TC        | 24872 | 25072 | 25372 | 25671 | 26314 | 26314 | 26314 | 26614 | 27073 | 27073 | 27073 | 27073 | 28976 | 28976 | 28976 | 28976 |
|                  |                   | S/T       | 0.77  | 0.87  | 1.00  | 1.00  | 0.60  | 0.70  | 0.80  | 0.90  | 0.52  | 0.62  | 0.72  | 0.82  | 0.34  | 0.44  | 0.52  | 0.62  |
|                  |                   | PI        | 1.48  | 1.48  | 1.48  | 1.48  | 1.47  | 1.47  | 1.47  | 1.47  | 1.48  | 1.48  | 1.48  | 1.48  | 1.47  | 1.47  | 1.47  | 1.47  |
|                  | 59                | TC        | 24670 | 24868 | 25165 | 25462 | 26138 | 26138 | 26138 | 26435 | 26909 | 26909 | 26909 | 26909 | 28852 | 28852 | 28852 | 28852 |
|                  |                   | S/T       | 0.78  | 0.88  | 0.99  | 1.00  | 0.61  | 0.71  | 0.81  | 0.91  | 0.53  | 0.63  | 0.73  | 0.83  | 0.34  | 0.44  | 0.53  | 0.63  |
|                  |                   | PI        | 1.52  | 1.52  | 1.52  | 1.52  | 1.51  | 1.51  | 1.51  | 1.51  | 1.51  | 1.51  | 1.51  | 1.51  | 1.51  | 1.51  | 1.51  | 1.51  |
|                  | 68                | TC        | 24392 | 24588 | 24882 | 25176 | 25861 | 25861 | 25861 | 26155 | 26645 | 26645 | 26645 | 26645 | 28604 | 28604 | 28604 | 28604 |
|                  |                   | S/T       | 0.78  | 0.88  | 0.99  | 1.00  | 0.61  | 0.71  | 0.81  | 0.91  | 0.53  | 0.63  | 0.73  | 0.83  | 0.34  | 0.44  | 0.53  | 0.63  |
|                  |                   | PI        | 1.57  | 1.57  | 1.57  | 1.57  | 1.56  | 1.56  | 1.56  | 1.56  | 1.56  | 1.56  | 1.56  | 1.56  | 1.55  | 1.55  | 1.55  | 1.55  |
|                  | 77                | TC        | 23314 | 23510 | 23706 | 23902 | 24784 | 24784 | 24784 | 25078 | 25469 | 25469 | 25469 | 25469 | 27429 | 27429 | 27429 | 27429 |
|                  |                   | S/T       | 0.79  | 0.90  | 1.00  | 1.00  | 0.61  | 0.72  | 0.83  | 0.93  | 0.53  | 0.64  | 0.74  | 0.85  | 0.34  | 0.44  | 0.54  | 0.64  |
|                  |                   | PI        | 1.73  | 1.73  | 1.73  | 1.73  | 1.73  | 1.73  | 1.73  | 1.73  | 1.73  | 1.73  | 1.73  | 1.73  | 1.73  | 1.73  | 1.73  | 1.73  |
|                  | 86                | TC        | 22237 | 22433 | 22629 | 22824 | 23608 | 23608 | 23608 | 23804 | 24294 | 24294 | 24294 | 24294 | 26253 | 26253 | 26253 | 26253 |
|                  |                   | S/T       | 0.80  | 0.92  | 1.00  | 1.00  | 0.62  | 0.73  | 0.85  | 0.96  | 0.53  | 0.65  | 0.76  | 0.87  | 0.34  | 0.44  | 0.54  | 0.65  |
|                  |                   | PI        | 1.89  | 1.89  | 1.89  | 1.89  | 1.89  | 1.89  | 1.89  | 1.89  | 1.89  | 1.89  | 1.89  | 1.89  | 1.90  | 1.90  | 1.90  | 1.90  |
|                  | 95                | TC        | 21061 | 21257 | 21453 | 21649 | 22433 | 22433 | 22433 | 22629 | 23118 | 23118 | 23510 | 23706 | 24980 | 24980 | 24980 | 24980 |
|                  |                   | S/T       | 0.82  | 0.94  | 1.00  | 1.00  | 0.63  | 0.75  | 0.87  | 0.99  | 0.54  | 0.66  | 0.77  | 0.88  | 0.34  | 0.44  | 0.55  | 0.66  |
|                  |                   | PI        | 2.07  | 2.07  | 2.07  | 2.07  | 2.07  | 2.07  | 2.07  | 2.07  | 2.08  | 2.08  | 2.08  | 2.08  | 2.08  | 2.08  | 2.08  | 2.08  |
|                  | 104               | TC        | 19892 | 20088 | 20285 | 20481 | 21177 | 21177 | 21266 | 21462 | 21863 | 21863 | 22077 | 22274 | 23638 | 23638 | 23638 | 23638 |
|                  |                   | S/T       | 0.85  | 0.99  | 1.00  | 1.00  | 0.65  | 0.78  | 0.90  | 1.00  | 0.55  | 0.68  | 0.80  | 0.93  | 0.33  | 0.45  | 0.57  | 0.69  |
|                  |                   | PI        | 2.28  | 2.28  | 2.28  | 2.28  | 2.29  | 2.29  | 2.29  | 2.29  | 2.29  | 2.29  | 2.29  | 2.29  | 2.30  | 2.30  | 2.30  | 2.30  |
|                  | 115               | TC        | 18447 | 18643 | 18839 | 19036 | 19624 | 19624 | 19821 | 20017 | 20311 | 20311 | 20311 | 20508 | 21979 | 21979 | 21979 | 21979 |
|                  |                   | S/T       | 0.87  | 1.00  | 1.00  | 1.00  | 0.65  | 0.79  | 0.93  | 1.00  | 0.55  | 0.69  | 0.82  | 0.95  | 0.33  | 0.45  | 0.57  | 0.70  |
|                  |                   | PI        | 2.53  | 2.53  | 2.53  | 2.53  | 2.55  | 2.55  | 2.55  | 2.55  | 2.55  | 2.55  | 2.55  | 2.55  | 2.57  | 2.57  | 2.57  | 2.57  |
| 122              | TC                | 17269     | 17466 | 17662 | 17858 | 18447 | 18447 | 18643 | 18839 | 19134 | 19134 | 19134 | 19330 | 20704 | 20704 | 20704 | 20704 |       |
|                  | S/T               | 0.90      | 1.00  | 1.00  | 1.00  | 0.67  | 0.81  | 0.96  | 1.00  | 0.56  | 0.70  | 0.85  | 0.98  | 0.33  | 0.46  | 0.59  | 0.91  |       |
|                  | PI                | 2.75      | 2.75  | 2.75  | 2.75  | 2.76  | 2.76  | 2.76  | 2.76  | 2.76  | 2.77  | 2.77  | 2.77  | 2.77  | 2.79  | 2.79  | 2.79  |       |

COOLING PERFORMANCE - 24K (Sheet 3 of 4)

| AIRFLOW<br>(CFM) | OUTDOOR<br>DB (F) | ID WB (F) | 60.8  |       |       |       | 64.4  |       |       |       | 66.2  |       |       |       | 71.6  |       |       |       |
|------------------|-------------------|-----------|-------|-------|-------|-------|-------|-------|-------|-------|-------|-------|-------|-------|-------|-------|-------|-------|
|                  |                   | ID DB (F) | 73.4  | 77.0  | 80.6  | 84.2  | 73.4  | 77.0  | 80.6  | 84.2  | 73.4  | 77.0  | 80.6  | 84.2  | 73.4  | 77.0  | 80.6  | 84.2  |
| 759              | -22               | TC        | 26634 | 26947 | 27260 | 27574 | 27845 | 27845 | 27845 | 28154 | 28500 | 28500 | 28500 | 28500 | 30162 | 30162 | 30162 | 30162 |
|                  |                   | S/T       | 0.75  | 0.87  | 1.00  | 1.00  | 0.59  | 0.69  | 0.80  | 0.96  | 0.50  | 0.61  | 0.71  | 0.82  | 0.32  | 0.42  | 0.51  | 0.61  |
|                  |                   | PI        | 1.78  | 1.79  | 1.79  | 1.78  | 1.79  | 1.79  | 1.79  | 1.79  | 1.79  | 1.80  | 1.80  | 1.80  | 1.80  | 1.81  | 1.81  | 1.81  |
|                  | -10               | TC        | 26437 | 26748 | 27059 | 27370 | 27687 | 27687 | 27687 | 27995 | 28358 | 28358 | 28358 | 28358 | 30071 | 30071 | 30071 | 30071 |
|                  |                   | S/T       | 0.76  | 0.87  | 1.00  | 1.00  | 0.59  | 0.70  | 0.80  | 0.97  | 0.51  | 0.61  | 0.72  | 0.82  | 0.33  | 0.42  | 0.52  | 0.61  |
|                  |                   | PI        | 1.61  | 1.62  | 1.62  | 1.61  | 1.62  | 1.62  | 1.62  | 1.62  | 1.62  | 1.62  | 1.62  | 1.62  | 1.63  | 1.63  | 1.63  | 1.63  |
|                  | 0                 | TC        | 26273 | 26582 | 26891 | 27200 | 27555 | 27555 | 27555 | 27861 | 28240 | 28240 | 28240 | 28240 | 29995 | 29995 | 29995 | 29995 |
|                  |                   | S/T       | 0.76  | 0.88  | 1.00  | 1.00  | 0.60  | 0.70  | 0.81  | 0.97  | 0.51  | 0.62  | 0.72  | 0.83  | 0.33  | 0.42  | 0.52  | 0.62  |
|                  |                   | PI        | 1.57  | 1.57  | 1.57  | 1.57  | 1.56  | 1.56  | 1.56  | 1.56  | 1.57  | 1.57  | 1.57  | 1.57  | 1.57  | 1.57  | 1.57  | 1.57  |
|                  | 5                 | TC        | 26196 | 26504 | 26813 | 27121 | 27505 | 27505 | 27505 | 27810 | 28197 | 28197 | 28197 | 28197 | 29974 | 29974 | 29974 | 29974 |
|                  |                   | S/T       | 0.76  | 0.88  | 1.00  | 1.00  | 0.60  | 0.70  | 0.81  | 0.98  | 0.51  | 0.62  | 0.72  | 0.83  | 0.33  | 0.42  | 0.52  | 0.62  |
|                  |                   | PI        | 1.47  | 1.47  | 1.47  | 1.47  | 1.47  | 1.47  | 1.47  | 1.47  | 1.47  | 1.47  | 1.47  | 1.47  | 1.46  | 1.46  | 1.46  | 1.46  |
|                  | 14                | TC        | 26041 | 26347 | 26654 | 26960 | 27350 | 27350 | 27350 | 27654 | 28056 | 28056 | 28056 | 28056 | 29873 | 29873 | 29873 | 29873 |
|                  |                   | S/T       | 0.77  | 0.88  | 1.00  | 1.00  | 0.60  | 0.71  | 0.82  | 0.98  | 0.51  | 0.62  | 0.73  | 0.83  | 0.33  | 0.43  | 0.52  | 0.62  |
|                  |                   | PI        | 1.47  | 1.47  | 1.47  | 1.47  | 1.46  | 1.46  | 1.46  | 1.46  | 1.47  | 1.47  | 1.47  | 1.47  | 1.47  | 1.47  | 1.47  | 1.47  |
|                  | 23                | TC        | 25886 | 26190 | 26495 | 26799 | 27247 | 27247 | 27247 | 27550 | 27953 | 27953 | 27953 | 27953 | 29797 | 29797 | 29797 | 29797 |
|                  |                   | S/T       | 0.77  | 0.89  | 1.00  | 1.00  | 0.60  | 0.71  | 0.82  | 0.99  | 0.52  | 0.62  | 0.73  | 0.84  | 0.33  | 0.43  | 0.53  | 0.62  |
|                  |                   | PI        | 1.46  | 1.46  | 1.46  | 1.46  | 1.46  | 1.46  | 1.46  | 1.46  | 1.47  | 1.47  | 1.47  | 1.47  | 1.47  | 1.47  | 1.47  | 1.47  |
|                  | 32                | TC        | 25756 | 26059 | 26362 | 26665 | 27144 | 27144 | 27144 | 27446 | 27876 | 27876 | 27876 | 27876 | 29772 | 29772 | 29772 | 29772 |
|                  |                   | S/T       | 0.77  | 0.89  | 1.00  | 1.00  | 0.61  | 0.72  | 0.82  | 0.99  | 0.52  | 0.63  | 0.74  | 0.84  | 0.33  | 0.43  | 0.53  | 0.63  |
|                  |                   | PI        | 1.47  | 1.47  | 1.47  | 1.47  | 1.47  | 1.47  | 1.47  | 1.47  | 1.47  | 1.47  | 1.47  | 1.47  | 1.47  | 1.47  | 1.47  | 1.47  |
|                  | 41                | TC        | 25627 | 25928 | 26230 | 26531 | 27041 | 27041 | 27041 | 27342 | 27786 | 27786 | 27786 | 27786 | 29746 | 29746 | 29746 | 29746 |
|                  |                   | S/T       | 0.78  | 0.90  | 1.00  | 1.00  | 0.61  | 0.72  | 0.83  | 1.00  | 0.52  | 0.63  | 0.74  | 0.85  | 0.33  | 0.43  | 0.53  | 0.63  |
|                  |                   | PI        | 1.48  | 1.48  | 1.48  | 1.48  | 1.48  | 1.48  | 1.48  | 1.48  | 1.48  | 1.48  | 1.48  | 1.48  | 1.48  | 1.48  | 1.48  | 1.48  |
|                  | 50                | TC        | 25471 | 25771 | 26071 | 26370 | 26913 | 26913 | 26913 | 27212 | 27670 | 27670 | 27670 | 27670 | 29670 | 29670 | 29670 | 29670 |
|                  |                   | S/T       | 0.78  | 0.90  | 1.00  | 1.00  | 0.61  | 0.72  | 0.83  | 1.00  | 0.52  | 0.63  | 0.74  | 0.85  | 0.34  | 0.44  | 0.53  | 0.63  |
|                  |                   | PI        | 1.51  | 1.51  | 1.51  | 1.51  | 1.50  | 1.50  | 1.50  | 1.50  | 1.51  | 1.51  | 1.51  | 1.51  | 1.50  | 1.50  | 1.50  | 1.50  |
|                  | 59                | TC        | 25264 | 25562 | 25859 | 26156 | 26732 | 26732 | 26732 | 27029 | 27503 | 27503 | 27503 | 27503 | 29543 | 29543 | 29543 | 29543 |
|                  |                   | S/T       | 0.79  | 0.91  | 1.00  | 1.00  | 0.62  | 0.73  | 0.84  | 0.95  | 0.53  | 0.64  | 0.75  | 0.86  | 0.34  | 0.44  | 0.54  | 0.64  |
|                  |                   | PI        | 1.55  | 1.55  | 1.55  | 1.55  | 1.54  | 1.54  | 1.54  | 1.54  | 1.54  | 1.54  | 1.54  | 1.54  | 1.53  | 1.53  | 1.53  | 1.53  |
|                  | 68                | TC        | 24980 | 25273 | 25567 | 25861 | 26449 | 26449 | 26449 | 26743 | 27233 | 27233 | 27233 | 27233 | 29290 | 29290 | 29290 | 29290 |
|                  |                   | S/T       | 0.79  | 0.91  | 1.00  | 1.00  | 0.62  | 0.73  | 0.84  | 0.95  | 0.53  | 0.64  | 0.75  | 0.86  | 0.34  | 0.44  | 0.54  | 0.64  |
|                  |                   | PI        | 1.60  | 1.60  | 1.60  | 1.60  | 1.59  | 1.59  | 1.59  | 1.59  | 1.59  | 1.59  | 1.59  | 1.59  | 1.58  | 1.58  | 1.58  | 1.58  |
|                  | 77                | TC        | 23804 | 24000 | 24196 | 24392 | 25273 | 25273 | 25273 | 25567 | 26057 | 26057 | 26057 | 26057 | 28016 | 28016 | 28016 | 28016 |
|                  |                   | S/T       | 0.81  | 0.93  | 1.00  | 1.00  | 0.62  | 0.74  | 0.86  | 0.97  | 0.54  | 0.65  | 0.76  | 0.88  | 0.34  | 0.44  | 0.55  | 0.65  |
|                  |                   | PI        | 1.76  | 1.76  | 1.76  | 1.76  | 1.76  | 1.76  | 1.76  | 1.76  | 1.76  | 1.76  | 1.76  | 1.76  | 1.76  | 1.76  | 1.76  | 1.76  |
|                  | 86                | TC        | 22629 | 22824 | 23020 | 23216 | 24098 | 24098 | 24098 | 24294 | 24882 | 24882 | 24882 | 25176 | 26743 | 26743 | 26743 | 26743 |
|                  |                   | S/T       | 0.83  | 0.95  | 1.00  | 1.00  | 0.63  | 0.75  | 0.88  | 0.99  | 0.54  | 0.66  | 0.78  | 0.89  | 0.34  | 0.45  | 0.56  | 0.67  |
|                  |                   | PI        | 1.92  | 1.92  | 1.92  | 1.92  | 1.93  | 1.93  | 1.93  | 1.93  | 1.93  | 1.93  | 1.93  | 1.93  | 1.94  | 1.94  | 1.94  | 1.94  |
|                  | 95                | TC        | 21551 | 21747 | 21943 | 22139 | 22922 | 22922 | 23118 | 23314 | 23608 | 23608 | 24000 | 24196 | 25469 | 25469 | 25469 | 25469 |
|                  |                   | S/T       | 0.84  | 0.98  | 1.00  | 1.00  | 0.64  | 0.77  | 0.89  | 1.00  | 0.55  | 0.67  | 0.79  | 0.91  | 0.33  | 0.45  | 0.56  | 0.68  |
|                  |                   | PI        | 2.10  | 2.10  | 2.10  | 2.10  | 2.11  | 2.11  | 2.11  | 2.11  | 2.12  | 2.12  | 2.12  | 2.12  | 2.13  | 2.13  | 2.13  | 2.13  |
|                  | 104               | TC        | 20338 | 20534 | 20731 | 20927 | 21667 | 21667 | 21863 | 22060 | 22309 | 22309 | 22523 | 22720 | 24129 | 24129 | 24129 | 24129 |
|                  |                   | S/T       | 0.88  | 1.00  | 1.00  | 1.00  | 0.66  | 0.80  | 0.94  | 1.00  | 0.56  | 0.70  | 0.83  | 0.96  | 0.33  | 0.45  | 0.58  | 0.90  |
|                  |                   | PI        | 2.32  | 2.32  | 2.32  | 2.32  | 2.33  | 2.33  | 2.33  | 2.33  | 2.34  | 2.34  | 2.34  | 2.34  | 2.35  | 2.35  | 2.35  | 2.35  |
|                  | 115               | TC        | 18839 | 19036 | 19232 | 19428 | 20115 | 20115 | 20311 | 20508 | 20704 | 20704 | 20704 | 20900 | 22470 | 22470 | 22470 | 22470 |
|                  |                   | S/T       | 0.90  | 1.00  | 1.00  | 1.00  | 0.67  | 0.82  | 0.96  | 1.00  | 0.56  | 0.71  | 0.85  | 0.99  | 0.32  | 0.46  | 0.59  | 0.92  |
|                  |                   | PI        | 2.58  | 2.58  | 2.58  | 2.58  | 2.59  | 2.59  | 2.59  | 2.59  | 2.60  | 2.60  | 2.60  | 2.60  | 2.62  | 2.62  | 2.62  | 2.62  |
| 122              | TC                | 17662     | 17858 | 18054 | 18251 | 18839 | 18839 | 19036 | 19232 | 19526 | 19526 | 19526 | 19723 | 21096 | 21096 | 21096 | 21096 |       |
|                  | S/T               | 0.93      | 1.00  | 1.00  | 1.00  | 0.68  | 0.84  | 0.99  | 1.00  | 0.57  | 0.72  | 0.88  | 1.00  | 0.32  | 0.46  | 0.60  | 0.97  |       |
|                  | PI                | 2.80      | 2.80  | 2.80  | 2.80  | 2.81  | 2.81  | 2.81  | 2.81  | 2.82  | 2.82  | 2.82  | 2.82  | 2.84  | 2.84  | 2.84  | 2.84  |       |



COOLING PERFORMANCE - 24K (Sheet 4 of 4)

| AIRFLOW<br>(CFM) | OUTDOOR<br>DB (F) | ID WB (F) | 60.8  |       |       |       | 64.4  |       |       |       | 66.2  |       |       |       | 71.6  |       |       |       |
|------------------|-------------------|-----------|-------|-------|-------|-------|-------|-------|-------|-------|-------|-------|-------|-------|-------|-------|-------|-------|
|                  |                   | ID DB (F) | 73.4  | 77.0  | 80.6  | 84.2  | 73.4  | 77.0  | 80.6  | 84.2  | 73.4  | 77.0  | 80.6  | 84.2  | 73.4  | 77.0  | 80.6  | 84.2  |
| 824              | -22               | TC        | 27275 | 27699 | 28012 | 28325 | 28478 | 28478 | 28478 | 28787 | 29129 | 29129 | 29129 | 29129 | 30885 | 30885 | 30885 | 30885 |
|                  |                   | S/T       | 0.76  | 0.89  | 1.00  | 1.00  | 0.60  | 0.71  | 0.83  | 1.00  | 0.50  | 0.62  | 0.73  | 0.85  | 0.32  | 0.42  | 0.52  | 0.62  |
|                  |                   | PI        | 1.50  | 1.50  | 1.50  | 1.50  | 1.49  | 1.49  | 1.49  | 1.49  | 1.49  | 1.49  | 1.49  | 1.49  | 1.48  | 1.48  | 1.48  | 1.48  |
|                  | -10               | TC        | 27074 | 27494 | 27805 | 28116 | 28316 | 28316 | 28316 | 28624 | 28984 | 28984 | 28984 | 28984 | 30792 | 30792 | 30792 | 30792 |
|                  |                   | S/T       | 0.77  | 0.90  | 1.00  | 1.00  | 0.60  | 0.72  | 0.83  | 1.00  | 0.51  | 0.62  | 0.74  | 0.85  | 0.33  | 0.42  | 0.53  | 0.62  |
|                  |                   | PI        | 1.50  | 1.50  | 1.50  | 1.50  | 1.49  | 1.49  | 1.49  | 1.49  | 1.49  | 1.49  | 1.49  | 1.49  | 1.49  | 1.49  | 1.49  | 1.49  |
|                  | 0                 | TC        | 26906 | 27323 | 27632 | 27941 | 28181 | 28181 | 28181 | 28488 | 28862 | 28862 | 28862 | 28862 | 30714 | 30714 | 30714 | 30714 |
|                  |                   | S/T       | 0.77  | 0.91  | 1.00  | 1.00  | 0.61  | 0.72  | 0.84  | 1.00  | 0.51  | 0.63  | 0.74  | 0.86  | 0.33  | 0.42  | 0.53  | 0.63  |
|                  |                   | PI        | 1.50  | 1.50  | 1.50  | 1.50  | 1.49  | 1.49  | 1.49  | 1.49  | 1.49  | 1.49  | 1.49  | 1.49  | 1.49  | 1.49  | 1.49  | 1.49  |
|                  | 5                 | TC        | 26827 | 27244 | 27552 | 27859 | 28130 | 28130 | 28130 | 28435 | 28819 | 28819 | 28819 | 28819 | 30693 | 30693 | 30693 | 30693 |
|                  |                   | S/T       | 0.77  | 0.91  | 1.00  | 1.00  | 0.61  | 0.72  | 0.84  | 1.00  | 0.51  | 0.63  | 0.74  | 0.86  | 0.33  | 0.42  | 0.53  | 0.63  |
|                  |                   | PI        | 1.50  | 1.50  | 1.50  | 1.50  | 1.49  | 1.49  | 1.49  | 1.49  | 1.50  | 1.50  | 1.50  | 1.50  | 1.49  | 1.49  | 1.49  | 1.49  |
|                  | 14                | TC        | 26668 | 27082 | 27388 | 27694 | 27972 | 27972 | 27972 | 28276 | 28674 | 28674 | 28674 | 28674 | 30589 | 30589 | 30589 | 30589 |
|                  |                   | S/T       | 0.78  | 0.91  | 1.00  | 1.00  | 0.61  | 0.73  | 0.85  | 1.00  | 0.51  | 0.63  | 0.75  | 0.86  | 0.33  | 0.43  | 0.53  | 0.63  |
|                  |                   | PI        | 1.49  | 1.49  | 1.49  | 1.49  | 1.49  | 1.49  | 1.49  | 1.49  | 1.49  | 1.49  | 1.49  | 1.49  | 1.49  | 1.49  | 1.49  | 1.49  |
|                  | 23                | TC        | 26509 | 26921 | 27225 | 27529 | 27867 | 27867 | 27867 | 28169 | 28569 | 28569 | 28569 | 28569 | 30511 | 30511 | 30511 | 30511 |
|                  |                   | S/T       | 0.78  | 0.92  | 1.00  | 1.00  | 0.61  | 0.73  | 0.85  | 1.00  | 0.52  | 0.63  | 0.75  | 0.87  | 0.33  | 0.43  | 0.54  | 0.63  |
|                  |                   | PI        | 1.49  | 1.49  | 1.49  | 1.49  | 1.49  | 1.49  | 1.49  | 1.49  | 1.49  | 1.49  | 1.49  | 1.49  | 1.49  | 1.49  | 1.49  | 1.49  |
|                  | 32                | TC        | 26377 | 26786 | 27089 | 27391 | 27761 | 27761 | 27761 | 28063 | 28490 | 28490 | 28490 | 28490 | 30485 | 30485 | 30485 | 30485 |
|                  |                   | S/T       | 0.78  | 0.92  | 1.00  | 1.00  | 0.62  | 0.74  | 0.85  | 1.00  | 0.52  | 0.64  | 0.76  | 0.87  | 0.33  | 0.43  | 0.54  | 0.64  |
|                  |                   | PI        | 1.50  | 1.50  | 1.50  | 1.50  | 1.49  | 1.49  | 1.49  | 1.49  | 1.50  | 1.50  | 1.50  | 1.50  | 1.50  | 1.50  | 1.50  | 1.50  |
|                  | 41                | TC        | 26244 | 26651 | 26953 | 27254 | 27656 | 27656 | 27656 | 27956 | 28398 | 28398 | 28398 | 28398 | 30459 | 30459 | 30459 | 30459 |
|                  |                   | S/T       | 0.79  | 0.93  | 0.99  | 0.99  | 0.62  | 0.74  | 0.86  | 1.00  | 0.52  | 0.64  | 0.76  | 0.88  | 0.33  | 0.43  | 0.54  | 0.64  |
|                  |                   | PI        | 1.51  | 1.51  | 1.51  | 1.51  | 1.51  | 1.51  | 1.51  | 1.51  | 1.51  | 1.51  | 1.51  | 1.51  | 1.51  | 1.51  | 1.51  | 1.51  |
|                  | 50                | TC        | 26085 | 26490 | 26789 | 27089 | 27524 | 27524 | 27524 | 27823 | 28280 | 28280 | 28280 | 28280 | 30381 | 30381 | 30381 | 30381 |
|                  |                   | S/T       | 0.79  | 0.93  | 1.00  | 1.00  | 0.62  | 0.74  | 0.86  | 1.00  | 0.52  | 0.64  | 0.76  | 0.88  | 0.34  | 0.44  | 0.54  | 0.64  |
|                  |                   | PI        | 1.54  | 1.54  | 1.54  | 1.54  | 1.53  | 1.53  | 1.53  | 1.53  | 1.53  | 1.53  | 1.53  | 1.53  | 1.53  | 1.53  | 1.53  | 1.53  |
|                  | 59                | TC        | 25873 | 26274 | 26571 | 26868 | 27340 | 27340 | 27340 | 27637 | 28109 | 28109 | 28109 | 28109 | 30252 | 30252 | 30252 | 30252 |
|                  |                   | S/T       | 0.80  | 0.94  | 1.00  | 1.00  | 0.63  | 0.75  | 0.87  | 0.99  | 0.53  | 0.65  | 0.77  | 0.89  | 0.34  | 0.44  | 0.55  | 0.65  |
|                  |                   | PI        | 1.57  | 1.57  | 1.57  | 1.57  | 1.57  | 1.57  | 1.57  | 1.57  | 1.57  | 1.57  | 1.57  | 1.57  | 1.56  | 1.56  | 1.56  | 1.56  |
|                  | 68                | TC        | 25582 | 25978 | 26272 | 26566 | 27050 | 27050 | 27050 | 27344 | 27833 | 27833 | 27833 | 27833 | 29992 | 29992 | 29992 | 29992 |
|                  |                   | S/T       | 0.80  | 0.94  | 1.00  | 1.00  | 0.63  | 0.75  | 0.87  | 0.99  | 0.53  | 0.65  | 0.77  | 0.89  | 0.34  | 0.44  | 0.55  | 0.65  |
|                  |                   | PI        | 1.63  | 1.63  | 1.63  | 1.63  | 1.62  | 1.62  | 1.62  | 1.62  | 1.62  | 1.62  | 1.62  | 1.62  | 1.61  | 1.61  | 1.61  | 1.61  |
|                  | 77                | TC        | 24304 | 24500 | 24696 | 24892 | 25773 | 25773 | 25773 | 26067 | 26658 | 26658 | 26658 | 26658 | 28617 | 28617 | 28617 | 28617 |
|                  |                   | S/T       | 0.83  | 0.96  | 1.00  | 1.00  | 0.63  | 0.76  | 0.89  | 1.00  | 0.55  | 0.66  | 0.78  | 0.91  | 0.34  | 0.44  | 0.56  | 0.66  |
|                  |                   | PI        | 1.79  | 1.79  | 1.79  | 1.79  | 1.79  | 1.79  | 1.79  | 1.79  | 1.79  | 1.79  | 1.79  | 1.79  | 1.79  | 1.79  | 1.79  | 1.79  |
|                  | 86                | TC        | 23027 | 23223 | 23419 | 23615 | 24598 | 24598 | 24598 | 24794 | 25484 | 25484 | 25484 | 26089 | 27242 | 27242 | 27242 | 27242 |
|                  |                   | S/T       | 0.86  | 0.98  | 1.00  | 1.00  | 0.64  | 0.77  | 0.91  | 1.00  | 0.55  | 0.67  | 0.80  | 0.91  | 0.34  | 0.46  | 0.58  | 0.69  |
|                  |                   | PI        | 1.95  | 1.95  | 1.95  | 1.95  | 1.97  | 1.97  | 1.97  | 1.97  | 1.97  | 1.97  | 1.97  | 1.97  | 1.98  | 1.98  | 1.98  | 1.98  |
|                  | 95                | TC        | 22052 | 22248 | 22444 | 22640 | 23423 | 23423 | 23825 | 24021 | 24108 | 24108 | 24500 | 24696 | 25969 | 25969 | 25969 | 25969 |
|                  |                   | S/T       | 0.86  | 1.00  | 1.00  | 1.00  | 0.65  | 0.79  | 0.91  | 1.00  | 0.56  | 0.68  | 0.81  | 0.94  | 0.32  | 0.46  | 0.57  | 0.70  |
|                  |                   | PI        | 2.13  | 2.13  | 2.13  | 2.13  | 2.15  | 2.15  | 2.15  | 2.15  | 2.16  | 2.16  | 2.16  | 2.16  | 2.18  | 2.18  | 2.18  | 2.18  |
|                  | 104               | TC        | 20794 | 20990 | 21186 | 21382 | 22169 | 22169 | 22478 | 22674 | 22764 | 22764 | 22978 | 23175 | 24630 | 24630 | 24630 | 24630 |
|                  |                   | S/T       | 0.91  | 1.00  | 1.00  | 1.00  | 0.67  | 0.82  | 0.98  | 1.00  | 0.57  | 0.72  | 0.86  | 0.99  | 0.33  | 0.45  | 0.59  | 1.00  |
|                  |                   | PI        | 2.36  | 2.36  | 2.36  | 2.36  | 2.37  | 2.37  | 2.37  | 2.37  | 2.38  | 2.38  | 2.38  | 2.38  | 2.40  | 2.40  | 2.40  | 2.40  |
|                  | 115               | TC        | 19240 | 19436 | 19633 | 19829 | 20618 | 20618 | 20814 | 21010 | 21104 | 21104 | 21104 | 21300 | 22972 | 22972 | 22972 | 22972 |
|                  |                   | S/T       | 0.93  | 1.00  | 1.00  | 1.00  | 0.69  | 0.85  | 0.99  | 1.00  | 0.57  | 0.73  | 0.88  | 1.00  | 0.31  | 0.47  | 0.61  | 1.00  |
|                  |                   | PI        | 2.63  | 2.63  | 2.63  | 2.63  | 2.63  | 2.63  | 2.63  | 2.63  | 2.65  | 2.65  | 2.65  | 2.65  | 2.67  | 2.67  | 2.67  | 2.67  |
| 122              | TC                | 18063     | 18260 | 18456 | 18652 | 19240 | 19240 | 19436 | 19633 | 19927 | 19927 | 19927 | 20123 | 21496 | 21496 | 21496 | 21496 |       |
|                  | S/T               | 0.95      | 1.00  | 1.00  | 1.00  | 0.69  | 0.87  | 1.00  | 1.00  | 0.58  | 0.74  | 0.91  | 1.00  | 0.31  | 0.46  | 0.61  | 1.00  |       |
|                  | PI                | 2.85      | 2.85  | 2.85  | 2.85  | 2.86  | 2.86  | 2.86  | 2.86  | 2.87  | 2.87  | 2.87  | 2.87  | 2.89  | 2.89  | 2.89  | 2.89  |       |

LEGEND

TC - Total Cooling Capacity (BTU/hr)  
 S/T - Sensible Cooling Capacity Ratio  
 PI - Power Input (kW)  
 Gray shaded area is Extrapolated Data

Manufacturer reserves the right to change, at any time, specifications and designs without notice and without obligations.

HEATING PERFORMANCE AT INDOOR DRY BULB TEMPERATURE - 24K (Sheet 1 of 2)

| AIRFLOW (CFM) | OUTDOOR DB (F) | TC: TOTAL CAPACITY IN BTU/HR |       |       |       | PI?TOTAL POWER IN KILOWATTS |      |      |      |
|---------------|----------------|------------------------------|-------|-------|-------|-----------------------------|------|------|------|
|               |                | Indoor Conditions (DB F)     |       |       |       | Indoor Conditions (DB F)    |      |      |      |
|               |                | 60.8                         | 68.0  | 71.6  | 75.2  | 60.8                        | 68.0 | 71.6 | 75.2 |
| 630           | -22.0          | 14472                        | 14342 | 14277 | 14147 | 1.60                        | 1.66 | 1.64 | 1.65 |
|               | -10.0          | 16652                        | 16502 | 16427 | 16277 | 1.88                        | 1.94 | 1.92 | 1.93 |
|               | 0.0            | 18469                        | 18302 | 18219 | 18053 | 2.11                        | 2.18 | 2.16 | 2.16 |
|               | 5.0            | 19440                        | 19265 | 19178 | 19002 | 2.23                        | 2.31 | 2.29 | 2.29 |
|               | 14.0           | 20758                        | 20571 | 20478 | 20291 | 2.38                        | 2.47 | 2.44 | 2.45 |
|               | 17.0           | 21747                        | 21551 | 21453 | 21257 | 2.53                        | 2.62 | 2.59 | 2.60 |
|               | 22.0           | 21946                        | 21749 | 21650 | 21452 | 2.48                        | 2.51 | 2.53 | 2.55 |
|               | 27.0           | 22045                        | 21847 | 21749 | 21551 | 2.39                        | 2.42 | 2.43 | 2.45 |
|               | 32.0           | 21946                        | 21650 | 21551 | 21452 | 2.29                        | 2.32 | 2.33 | 2.35 |
|               | 37.0           | 22638                        | 22342 | 22144 | 22045 | 2.22                        | 2.25 | 2.26 | 2.27 |
|               | 42.0           | 24022                        | 23726 | 23528 | 23330 | 2.16                        | 2.17 | 2.18 | 2.19 |
|               | 44.6           | 25524                        | 25209 | 24814 | 24715 | 2.13                        | 2.11 | 2.16 | 2.16 |
|               | 52.0           | 26297                        | 25901 | 25703 | 25605 | 2.01                        | 2.02 | 2.03 | 2.03 |
|               | 57.0           | 26890                        | 26494 | 26297 | 26198 | 1.93                        | 1.93 | 1.94 | 1.94 |
| 62.0          | 27582          | 27186                        | 26989 | 26791 | 1.85  | 1.85                        | 1.85 | 1.85 |      |
| 64.4          | 27878          | 27483                        | 27285 | 26989 | 1.81  | 1.81                        | 1.81 | 1.81 |      |
| 695           | -22.0          | 14764                        | 14633 | 14568 | 14503 | 1.62                        | 1.68 | 1.65 | 1.67 |
|               | -10.0          | 16988                        | 16837 | 16762 | 16687 | 1.90                        | 1.97 | 1.94 | 1.95 |
|               | 0.0            | 18841                        | 18674 | 18591 | 18507 | 2.13                        | 2.20 | 2.17 | 2.19 |
|               | 5.0            | 19832                        | 19656 | 19569 | 19481 | 2.26                        | 2.34 | 2.30 | 2.32 |
|               | 14.0           | 21177                        | 20989 | 20895 | 20802 | 2.41                        | 2.49 | 2.46 | 2.47 |
|               | 17.0           | 22185                        | 21989 | 21890 | 21792 | 2.56                        | 2.65 | 2.61 | 2.63 |
|               | 22.0           | 22342                        | 22144 | 22045 | 21946 | 2.51                        | 2.54 | 2.56 | 2.57 |
|               | 27.0           | 22539                        | 22243 | 22144 | 22045 | 2.41                        | 2.44 | 2.46 | 2.47 |
|               | 32.0           | 22342                        | 22144 | 21946 | 21847 | 2.32                        | 2.34 | 2.36 | 2.37 |
|               | 37.0           | 23034                        | 22737 | 22638 | 22441 | 2.25                        | 2.27 | 2.28 | 2.29 |
|               | 42.0           | 24418                        | 24121 | 24022 | 23825 | 2.17                        | 2.19 | 2.20 | 2.21 |
|               | 44.6           | 26019                        | 25703 | 25308 | 25209 | 2.15                        | 2.13 | 2.18 | 2.18 |
|               | 52.0           | 26791                        | 26395 | 26198 | 26099 | 2.03                        | 2.04 | 2.04 | 2.05 |
|               | 57.0           | 27483                        | 27087 | 26890 | 26692 | 1.94                        | 1.95 | 1.96 | 1.96 |
| 62.0          | 28076          | 27681                        | 27483 | 27285 | 1.86  | 1.86                        | 1.87 | 1.87 |      |
| 64.4          | 28373          | 27977                        | 27779 | 27582 | 1.82  | 1.82                        | 1.82 | 1.82 |      |

HEATING PERFORMANCE AT INDOOR DRY BULB TEMPERATURE - 24K (Sheet 2 of 2)

| AIRFLOW (CFM) | OUTDOOR DB (F) | TC: TOTAL CAPACITY IN BTU/HR |       |       |       | PI?TOTAL POWER IN KILOWATTS |      |      |      |
|---------------|----------------|------------------------------|-------|-------|-------|-----------------------------|------|------|------|
|               |                | Indoor Conditions (DB F)     |       |       |       | Indoor Conditions (DB F)    |      |      |      |
|               |                | 60.8                         | 68.0  | 71.6  | 75.2  | 60.8                        | 68.0 | 71.6 | 75.2 |
| 759           | -22.0          | 14933                        | 14803 | 14737 | 14607 | 1.64                        | 1.70 | 1.67 | 1.68 |
|               | -10.0          | 17182                        | 17032 | 16957 | 16807 | 1.92                        | 1.99 | 1.96 | 1.97 |
|               | 0.0            | 19056                        | 18890 | 18807 | 18640 | 2.16                        | 2.23 | 2.20 | 2.21 |
|               | 5.0            | 20059                        | 19884 | 19796 | 19621 | 2.29                        | 2.36 | 2.33 | 2.35 |
|               | 14.0           | 21419                        | 21232 | 21138 | 20951 | 2.44                        | 2.52 | 2.48 | 2.50 |
|               | 17.0           | 22439                        | 22243 | 22145 | 21949 | 2.59                        | 2.68 | 2.64 | 2.66 |
|               | 22.0           | 22638                        | 22441 | 22342 | 22144 | 2.54                        | 2.57 | 2.59 | 2.60 |
|               | 27.0           | 22737                        | 22539 | 22441 | 22243 | 2.44                        | 2.47 | 2.49 | 2.50 |
|               | 32.0           | 22638                        | 22342 | 22243 | 22144 | 2.34                        | 2.37 | 2.38 | 2.40 |
|               | 37.0           | 23330                        | 23034 | 22836 | 22737 | 2.27                        | 2.29 | 2.30 | 2.31 |
|               | 42.0           | 24714                        | 24418 | 24220 | 24121 | 2.20                        | 2.21 | 2.22 | 2.23 |
|               | 44.6           | 26316                        | 26000 | 25605 | 25506 | 2.17                        | 2.15 | 2.20 | 2.20 |
|               | 52.0           | 27087                        | 26692 | 26593 | 26395 | 2.05                        | 2.06 | 2.06 | 2.07 |
|               | 57.0           | 27779                        | 27384 | 27186 | 26989 | 1.96                        | 1.97 | 1.97 | 1.97 |
|               | 62.0           | 28373                        | 27977 | 27779 | 27582 | 1.88                        | 1.88 | 1.88 | 1.88 |
| 64.4          | 28768          | 28274                        | 28076 | 27878 | 1.84  | 1.84                        | 1.84 | 1.84 |      |
| 824           | -22.0          | 15104                        | 14974 | 14909 | 14712 | 1.66                        | 1.72 | 1.69 | 1.70 |
|               | -10.0          | 17379                        | 17229 | 17154 | 16928 | 1.94                        | 2.01 | 1.98 | 2.00 |
|               | 0.0            | 19274                        | 19108 | 19025 | 18774 | 2.18                        | 2.26 | 2.22 | 2.24 |
|               | 5.0            | 20288                        | 20114 | 20026 | 19762 | 2.31                        | 2.39 | 2.36 | 2.37 |
|               | 14.0           | 21664                        | 21477 | 21384 | 21102 | 2.47                        | 2.55 | 2.51 | 2.53 |
|               | 17.0           | 22696                        | 22500 | 22402 | 22107 | 2.62                        | 2.71 | 2.67 | 2.69 |
|               | 22.0           | 22939                        | 22741 | 22642 | 22343 | 2.57                        | 2.60 | 2.62 | 2.63 |
|               | 27.0           | 22937                        | 22840 | 22741 | 22442 | 2.47                        | 2.50 | 2.52 | 2.53 |
|               | 32.0           | 22939                        | 22541 | 22543 | 22445 | 2.36                        | 2.40 | 2.40 | 2.43 |
|               | 37.0           | 23631                        | 23334 | 23035 | 23038 | 2.29                        | 2.31 | 2.32 | 2.33 |
|               | 42.0           | 25014                        | 24718 | 24419 | 24421 | 2.23                        | 2.23 | 2.24 | 2.25 |
|               | 44.6           | 26616                        | 26300 | 25905 | 25806 | 2.19                        | 2.17 | 2.22 | 2.22 |
|               | 52.0           | 27387                        | 26992 | 26995 | 26695 | 2.07                        | 2.08 | 2.08 | 2.09 |
|               | 57.0           | 28079                        | 27684 | 27486 | 27288 | 1.98                        | 1.99 | 1.98 | 1.98 |
|               | 62.0           | 28672                        | 28277 | 28079 | 27882 | 1.90                        | 1.90 | 1.89 | 1.89 |
| 64.4          | 29169          | 28573                        | 28376 | 28178 | 1.86  | 1.86                        | 1.86 | 1.86 |      |

Gray shaded area is Extrapolated Data

COOLING PERFORMANCE - 24K HH (Sheet 1 of 3)

| AIRFLOW (CFM) | OUTDOOR DB (F) | ID WB (F) | 60.8  |       |       |       | 64.4  |       |       |       | 66.2  |       |       |       | 71.6  |       |       |       |
|---------------|----------------|-----------|-------|-------|-------|-------|-------|-------|-------|-------|-------|-------|-------|-------|-------|-------|-------|-------|
|               |                | ID (DB F) | 73.4  | 77.0  | 80.6  | 84.2  | 73.4  | 77.0  | 80.6  | 84.2  | 73.4  | 77.0  | 80.6  | 84.2  | 73.4  | 77.0  | 80.6  | 84.2  |
| 630           | -22            | TC        | 25495 | 25474 | 25683 | 25891 | 26699 | 27226 | 27226 | 27535 | 27361 | 27361 | 27361 | 27361 | 28838 | 28838 | 28838 | 28838 |
|               |                | S/T       | 0.72  | 0.82  | 0.91  | 0.95  | 0.57  | 0.66  | 0.75  | 0.84  | 0.49  | 0.58  | 0.68  | 0.76  | 0.33  | 0.42  | 0.49  | 0.58  |
|               |                | PI        | 1.61  | 1.60  | 1.60  | 1.61  | 1.61  | 1.61  | 1.61  | 1.61  | 1.61  | 1.62  | 1.62  | 1.62  | 1.62  | 1.63  | 1.63  | 1.63  |
|               | -10            | TC        | 25306 | 25286 | 25493 | 25700 | 26547 | 27072 | 27072 | 27379 | 27224 | 27224 | 27224 | 27224 | 28751 | 28751 | 28751 | 28751 |
|               |                | S/T       | 0.73  | 0.82  | 0.92  | 0.96  | 0.57  | 0.66  | 0.76  | 0.84  | 0.50  | 0.58  | 0.68  | 0.77  | 0.34  | 0.42  | 0.50  | 0.58  |
|               |                | PI        | 1.45  | 1.45  | 1.45  | 1.45  | 1.46  | 1.46  | 1.46  | 1.46  | 1.46  | 1.46  | 1.46  | 1.46  | 1.47  | 1.47  | 1.47  | 1.47  |
|               | 0              | TC        | 25149 | 25129 | 25335 | 25541 | 26421 | 26943 | 26943 | 27249 | 27110 | 27110 | 27110 | 27110 | 28678 | 28678 | 28678 | 28678 |
|               |                | S/T       | 0.73  | 0.83  | 0.92  | 0.96  | 0.58  | 0.67  | 0.76  | 0.85  | 0.50  | 0.59  | 0.68  | 0.77  | 0.34  | 0.42  | 0.50  | 0.59  |
|               |                | PI        | 1.36  | 1.35  | 1.35  | 1.36  | 1.36  | 1.36  | 1.36  | 1.36  | 1.36  | 1.36  | 1.36  | 1.36  | 1.36  | 1.36  | 1.36  | 1.36  |
|               | 5              | TC        | 25076 | 25055 | 25261 | 25466 | 26373 | 26894 | 26894 | 27199 | 27070 | 27070 | 27070 | 27070 | 28659 | 28659 | 28659 | 28659 |
|               |                | S/T       | 0.73  | 0.83  | 0.93  | 0.97  | 0.58  | 0.67  | 0.76  | 0.85  | 0.50  | 0.59  | 0.69  | 0.77  | 0.34  | 0.42  | 0.50  | 0.59  |
|               |                | PI        | 1.28  | 1.27  | 1.27  | 1.28  | 1.27  | 1.27  | 1.27  | 1.27  | 1.27  | 1.27  | 1.27  | 1.27  | 1.27  | 1.27  | 1.27  | 1.27  |
|               | 14             | TC        | 24927 | 24907 | 25111 | 25315 | 26225 | 26743 | 26743 | 27046 | 26934 | 26934 | 26934 | 26934 | 28562 | 28562 | 28562 | 28562 |
|               |                | S/T       | 0.74  | 0.83  | 0.93  | 0.97  | 0.58  | 0.67  | 0.77  | 0.85  | 0.50  | 0.59  | 0.69  | 0.78  | 0.34  | 0.43  | 0.50  | 0.59  |
|               |                | PI        | 1.27  | 1.27  | 1.27  | 1.27  | 1.27  | 1.27  | 1.27  | 1.27  | 1.27  | 1.27  | 1.27  | 1.27  | 1.27  | 1.27  | 1.27  | 1.27  |
|               | 23             | TC        | 24778 | 24758 | 24961 | 25164 | 26126 | 26642 | 26642 | 26945 | 26835 | 26835 | 26835 | 26835 | 28489 | 28489 | 28489 | 28489 |
|               |                | S/T       | 0.74  | 0.84  | 0.94  | 0.98  | 0.59  | 0.67  | 0.77  | 0.86  | 0.51  | 0.59  | 0.69  | 0.78  | 0.34  | 0.43  | 0.51  | 0.59  |
|               |                | PI        | 1.27  | 1.26  | 1.26  | 1.27  | 1.27  | 1.27  | 1.27  | 1.27  | 1.27  | 1.27  | 1.27  | 1.27  | 1.27  | 1.27  | 1.27  | 1.27  |
|               | 32             | TC        | 24655 | 24634 | 24836 | 25038 | 26027 | 26541 | 26541 | 26843 | 26761 | 26761 | 26761 | 26761 | 28465 | 28465 | 28465 | 28465 |
|               |                | S/T       | 0.74  | 0.84  | 0.94  | 0.98  | 0.59  | 0.68  | 0.77  | 0.86  | 0.51  | 0.60  | 0.70  | 0.78  | 0.34  | 0.43  | 0.51  | 0.60  |
|               |                | PI        | 1.27  | 1.27  | 1.27  | 1.27  | 1.27  | 1.27  | 1.27  | 1.27  | 1.28  | 1.28  | 1.28  | 1.28  | 1.28  | 1.28  | 1.28  | 1.28  |
|               | 41             | TC        | 24531 | 24511 | 24712 | 24912 | 25928 | 26440 | 26440 | 26741 | 26675 | 26675 | 26675 | 26675 | 28441 | 28441 | 28441 | 28441 |
|               |                | S/T       | 0.75  | 0.85  | 0.95  | 0.99  | 0.59  | 0.68  | 0.78  | 0.87  | 0.51  | 0.60  | 0.70  | 0.79  | 0.34  | 0.43  | 0.51  | 0.60  |
|               |                | PI        | 1.29  | 1.28  | 1.28  | 1.29  | 1.29  | 1.29  | 1.29  | 1.29  | 1.29  | 1.29  | 1.29  | 1.29  | 1.29  | 1.29  | 1.29  | 1.29  |
|               | 50             | TC        | 24382 | 24362 | 24562 | 24761 | 25805 | 26314 | 26314 | 26614 | 26563 | 26563 | 26563 | 26563 | 28368 | 28368 | 28368 | 28368 |
|               |                | S/T       | 0.75  | 0.85  | 0.95  | 0.99  | 0.59  | 0.69  | 0.78  | 0.87  | 0.51  | 0.60  | 0.70  | 0.79  | 0.35  | 0.44  | 0.51  | 0.60  |
|               |                | PI        | 1.31  | 1.30  | 1.30  | 1.31  | 1.30  | 1.30  | 1.30  | 1.30  | 1.31  | 1.31  | 1.31  | 1.31  | 1.30  | 1.30  | 1.30  | 1.30  |
|               | 59             | TC        | 24184 | 24164 | 24362 | 24560 | 25632 | 26138 | 26138 | 26435 | 26403 | 26403 | 26403 | 26403 | 28247 | 28247 | 28247 | 28247 |
|               |                | S/T       | 0.76  | 0.86  | 0.96  | 1.00  | 0.60  | 0.69  | 0.79  | 0.88  | 0.52  | 0.61  | 0.71  | 0.80  | 0.35  | 0.44  | 0.52  | 0.61  |
|               |                | PI        | 1.34  | 1.33  | 1.33  | 1.34  | 1.34  | 1.34  | 1.34  | 1.34  | 1.34  | 1.34  | 1.34  | 1.34  | 1.33  | 1.33  | 1.33  | 1.33  |
|               | 68             | TC        | 23911 | 23892 | 24088 | 24283 | 25360 | 25360 | 25360 | 25654 | 26144 | 26144 | 26144 | 26144 | 28004 | 28004 | 28004 | 28004 |
|               |                | S/T       | 0.76  | 0.86  | 0.96  | 1.00  | 0.60  | 0.69  | 0.79  | 0.88  | 0.52  | 0.61  | 0.71  | 0.80  | 0.35  | 0.44  | 0.52  | 0.61  |
|               |                | PI        | 1.39  | 1.38  | 1.38  | 1.39  | 1.38  | 1.38  | 1.38  | 1.38  | 1.38  | 1.38  | 1.38  | 1.38  | 1.37  | 1.37  | 1.37  | 1.37  |
|               | 77             | TC        | 22815 | 22815 | 23010 | 23206 | 24185 | 24185 | 24185 | 24381 | 24969 | 24969 | 24969 | 24969 | 26829 | 26829 | 26829 | 26829 |
|               |                | S/T       | 0.77  | 0.87  | 0.98  | 1.00  | 0.60  | 0.70  | 0.80  | 0.90  | 0.52  | 0.62  | 0.72  | 0.82  | 0.35  | 0.44  | 0.53  | 0.62  |
|               |                | PI        | 1.53  | 1.53  | 1.53  | 1.53  | 1.53  | 1.53  | 1.53  | 1.53  | 1.53  | 1.53  | 1.53  | 1.53  | 1.53  | 1.53  | 1.53  | 1.53  |
|               | 86             | TC        | 21738 | 21933 | 22129 | 22325 | 23108 | 23108 | 23108 | 23304 | 23794 | 23794 | 23794 | 23794 | 25654 | 25654 | 25654 | 25654 |
|               |                | S/T       | 0.78  | 0.89  | 1.00  | 1.00  | 0.61  | 0.71  | 0.82  | 0.92  | 0.53  | 0.63  | 0.73  | 0.84  | 0.34  | 0.44  | 0.53  | 0.63  |
|               |                | PI        | 1.67  | 1.67  | 1.67  | 1.67  | 1.67  | 1.67  | 1.67  | 1.67  | 1.67  | 1.67  | 1.67  | 1.67  | 1.68  | 1.68  | 1.68  | 1.68  |
|               | 95             | TC        | 20660 | 20856 | 21052 | 21248 | 21933 | 21933 | 21933 | 22129 | 22619 | 22619 | 23010 | 22619 | 24479 | 24479 | 24479 | 24479 |
|               |                | S/T       | 0.80  | 0.91  | 1.00  | 1.00  | 0.62  | 0.73  | 0.84  | 0.95  | 0.53  | 0.64  | 0.74  | 0.86  | 0.34  | 0.44  | 0.54  | 0.64  |
|               |                | PI        | 1.83  | 1.83  | 1.83  | 1.83  | 1.83  | 1.83  | 1.83  | 1.83  | 1.84  | 1.84  | 1.84  | 1.84  | 1.85  | 1.85  | 1.85  | 1.85  |
|               | 104            | TC        | 19492 | 19689 | 19885 | 20081 | 20723 | 20723 | 20812 | 21008 | 21410 | 21410 | 21624 | 21499 | 23139 | 23139 | 23139 | 23139 |
|               |                | S/T       | 0.83  | 0.95  | 1.00  | 1.00  | 0.63  | 0.75  | 0.88  | 0.99  | 0.54  | 0.66  | 0.78  | 0.89  | 0.34  | 0.45  | 0.55  | 0.66  |
|               |                | PI        | 2.02  | 2.02  | 2.02  | 2.02  | 2.02  | 2.02  | 2.02  | 2.02  | 2.03  | 2.03  | 2.03  | 2.03  | 2.05  | 2.05  | 2.05  | 2.05  |
|               | 115            | TC        | 18048 | 18244 | 18440 | 18636 | 19225 | 19225 | 19421 | 19617 | 19911 | 19911 | 19911 | 20108 | 21481 | 21481 | 21481 | 21481 |
|               |                | S/T       | 0.84  | 0.97  | 1.00  | 1.00  | 0.64  | 0.77  | 0.89  | 1.00  | 0.55  | 0.67  | 0.79  | 0.91  | 0.33  | 0.45  | 0.56  | 0.68  |
|               |                | PI        | 2.24  | 2.24  | 2.24  | 2.24  | 2.25  | 2.25  | 2.25  | 2.25  | 2.26  | 2.26  | 2.26  | 2.26  | 2.28  | 2.28  | 2.28  | 2.28  |
| 122           | TC             | 16871     | 17067 | 17263 | 17459 | 18048 | 18048 | 18244 | 18440 | 18734 | 18734 | 18734 | 18931 | 20304 | 20304 | 20304 | 20304 |       |
|               | S/T            | 0.87      | 1.00  | 1.00  | 1.00  | 0.65  | 0.79  | 0.92  | 1.00  | 0.55  | 0.68  | 0.81  | 0.94  | 0.33  | 0.45  | 0.57  | 0.69  |       |
|               | PI             | 2.43      | 2.43  | 2.43  | 2.43  | 2.44  | 2.44  | 2.44  | 2.44  | 2.45  | 2.45  | 2.45  | 2.45  | 2.47  | 2.47  | 2.47  | 2.47  |       |

Manufacturer reserves the right to change, at any time, specifications and designs without notice and without obligations.

COOLING PERFORMANCE - 24K HH (Sheet 2 of 3)

| AIRFLOW (CFM) | OUTDOOR DB (F) | ID WB (F) | 60.8  |       |       |       | 64.4  |       |       |       | 66.2  |       |       |       | 71.6  |       |       |       |
|---------------|----------------|-----------|-------|-------|-------|-------|-------|-------|-------|-------|-------|-------|-------|-------|-------|-------|-------|-------|
|               |                | ID (DB F) | 73.4  | 77.0  | 80.6  | 84.2  | 73.4  | 77.0  | 80.6  | 84.2  | 73.4  | 77.0  | 80.6  | 84.2  | 73.4  | 77.0  | 80.6  | 84.2  |
| 695           | -22            | TC        | 26007 | 26216 | 26529 | 26843 | 27226 | 27226 | 27226 | 27535 | 27885 | 27885 | 27885 | 27885 | 29456 | 29456 | 29456 | 29456 |
|               |                | S/T       | 0.74  | 0.84  | 0.97  | 1.00  | 0.58  | 0.68  | 0.77  | 0.87  | 0.50  | 0.60  | 0.69  | 0.79  | 0.32  | 0.42  | 0.50  | 0.60  |
|               |                | PI        | 1.61  | 1.60  | 1.60  | 1.61  | 1.61  | 1.61  | 1.61  | 1.61  | 1.62  | 1.62  | 1.62  | 1.62  | 1.63  | 1.63  | 1.63  | 1.63  |
|               | -10            | TC        | 25815 | 26022 | 26333 | 26644 | 27072 | 27072 | 27072 | 27379 | 27746 | 27746 | 27746 | 27746 | 29367 | 29367 | 29367 | 29367 |
|               |                | S/T       | 0.75  | 0.84  | 0.97  | 1.00  | 0.58  | 0.68  | 0.78  | 0.87  | 0.51  | 0.60  | 0.70  | 0.79  | 0.33  | 0.42  | 0.51  | 0.60  |
|               |                | PI        | 1.45  | 1.45  | 1.45  | 1.45  | 1.46  | 1.46  | 1.46  | 1.46  | 1.46  | 1.46  | 1.46  | 1.46  | 1.47  | 1.47  | 1.47  | 1.47  |
|               | 0              | TC        | 25655 | 25861 | 26170 | 26479 | 26943 | 26943 | 26943 | 27249 | 27630 | 27630 | 27630 | 27630 | 29293 | 29293 | 29293 | 29293 |
|               |                | S/T       | 0.75  | 0.85  | 0.98  | 1.00  | 0.59  | 0.68  | 0.78  | 0.88  | 0.51  | 0.61  | 0.70  | 0.80  | 0.33  | 0.42  | 0.51  | 0.61  |
|               |                | PI        | 1.39  | 1.39  | 1.39  | 1.39  | 1.39  | 1.39  | 1.39  | 1.39  | 1.39  | 1.39  | 1.39  | 1.39  | 1.39  | 1.39  | 1.39  | 1.39  |
|               | 5              | TC        | 25580 | 25785 | 26093 | 26402 | 26894 | 26894 | 26894 | 27199 | 27588 | 27588 | 27588 | 27588 | 29273 | 29273 | 29273 | 29273 |
|               |                | S/T       | 0.75  | 0.85  | 0.98  | 1.00  | 0.59  | 0.69  | 0.78  | 0.88  | 0.51  | 0.61  | 0.70  | 0.80  | 0.33  | 0.42  | 0.51  | 0.61  |
|               |                | PI        | 1.31  | 1.31  | 1.31  | 1.31  | 1.30  | 1.30  | 1.30  | 1.30  | 1.30  | 1.30  | 1.30  | 1.30  | 1.30  | 1.30  | 1.30  | 1.30  |
|               | 14             | TC        | 25428 | 25632 | 25939 | 26245 | 26743 | 26743 | 26743 | 27046 | 27450 | 27450 | 27450 | 27450 | 29174 | 29174 | 29174 | 29174 |
|               |                | S/T       | 0.76  | 0.85  | 0.99  | 1.00  | 0.59  | 0.69  | 0.79  | 0.88  | 0.51  | 0.61  | 0.71  | 0.81  | 0.33  | 0.43  | 0.51  | 0.61  |
|               |                | PI        | 1.30  | 1.30  | 1.30  | 1.30  | 1.30  | 1.30  | 1.30  | 1.30  | 1.30  | 1.30  | 1.30  | 1.30  | 1.30  | 1.30  | 1.30  | 1.30  |
|               | 23             | TC        | 25277 | 25480 | 25784 | 26089 | 26642 | 26642 | 26642 | 26945 | 27349 | 27349 | 27349 | 27349 | 29099 | 29099 | 29099 | 29099 |
|               |                | S/T       | 0.76  | 0.86  | 0.99  | 1.00  | 0.59  | 0.69  | 0.79  | 0.89  | 0.52  | 0.61  | 0.71  | 0.81  | 0.33  | 0.43  | 0.52  | 0.61  |
|               |                | PI        | 1.30  | 1.30  | 1.30  | 1.30  | 1.30  | 1.30  | 1.30  | 1.30  | 1.30  | 1.30  | 1.30  | 1.30  | 1.30  | 1.30  | 1.30  | 1.30  |
|               | 32             | TC        | 25150 | 25352 | 25655 | 25958 | 26541 | 26541 | 26541 | 26843 | 27274 | 27274 | 27274 | 27274 | 29075 | 29075 | 29075 | 29075 |
|               |                | S/T       | 0.76  | 0.86  | 1.00  | 1.00  | 0.60  | 0.70  | 0.79  | 0.89  | 0.52  | 0.62  | 0.72  | 0.81  | 0.33  | 0.43  | 0.52  | 0.62  |
|               |                | PI        | 1.31  | 1.31  | 1.31  | 1.31  | 1.30  | 1.30  | 1.30  | 1.30  | 1.31  | 1.31  | 1.31  | 1.31  | 1.31  | 1.31  | 1.31  | 1.31  |
|               | 41             | TC        | 25024 | 25225 | 25526 | 25828 | 26440 | 26440 | 26440 | 26741 | 27186 | 27186 | 27186 | 27186 | 29050 | 29050 | 29050 | 29050 |
|               |                | S/T       | 0.77  | 0.87  | 1.00  | 1.00  | 0.60  | 0.70  | 0.80  | 0.90  | 0.52  | 0.62  | 0.72  | 0.82  | 0.33  | 0.43  | 0.52  | 0.62  |
|               |                | PI        | 1.32  | 1.32  | 1.32  | 1.32  | 1.31  | 1.31  | 1.31  | 1.31  | 1.32  | 1.32  | 1.32  | 1.32  | 1.31  | 1.31  | 1.31  | 1.31  |
|               | 50             | TC        | 24872 | 25072 | 25372 | 25671 | 26314 | 26314 | 26314 | 26614 | 27073 | 27073 | 27073 | 27073 | 28976 | 28976 | 28976 | 28976 |
|               |                | S/T       | 0.77  | 0.87  | 1.00  | 1.00  | 0.60  | 0.70  | 0.80  | 0.90  | 0.52  | 0.62  | 0.72  | 0.82  | 0.34  | 0.44  | 0.52  | 0.62  |
|               |                | PI        | 1.34  | 1.34  | 1.34  | 1.34  | 1.33  | 1.33  | 1.33  | 1.33  | 1.34  | 1.34  | 1.34  | 1.34  | 1.33  | 1.33  | 1.33  | 1.33  |
|               | 59             | TC        | 24670 | 24868 | 25165 | 25462 | 26138 | 26138 | 26138 | 26435 | 26909 | 26909 | 26909 | 26909 | 28852 | 28852 | 28852 | 28852 |
|               |                | S/T       | 0.78  | 0.88  | 0.99  | 1.00  | 0.61  | 0.71  | 0.81  | 0.91  | 0.53  | 0.63  | 0.73  | 0.83  | 0.34  | 0.44  | 0.53  | 0.63  |
|               |                | PI        | 1.37  | 1.37  | 1.37  | 1.37  | 1.36  | 1.36  | 1.36  | 1.36  | 1.37  | 1.37  | 1.37  | 1.37  | 1.36  | 1.36  | 1.36  | 1.36  |
|               | 68             | TC        | 24392 | 24588 | 24882 | 25176 | 25861 | 25861 | 25861 | 26155 | 26645 | 26645 | 26645 | 26645 | 28604 | 28604 | 28604 | 28604 |
|               |                | S/T       | 0.78  | 0.88  | 0.99  | 1.00  | 0.61  | 0.71  | 0.81  | 0.91  | 0.53  | 0.63  | 0.73  | 0.83  | 0.34  | 0.44  | 0.53  | 0.63  |
|               |                | PI        | 1.42  | 1.42  | 1.42  | 1.42  | 1.41  | 1.41  | 1.41  | 1.41  | 1.41  | 1.41  | 1.41  | 1.41  | 1.40  | 1.40  | 1.40  | 1.40  |
|               | 77             | TC        | 23314 | 23510 | 23706 | 23902 | 24784 | 24784 | 24784 | 25078 | 25469 | 25469 | 25469 | 25469 | 27429 | 27429 | 27429 | 27429 |
|               |                | S/T       | 0.79  | 0.90  | 1.00  | 1.00  | 0.61  | 0.72  | 0.83  | 0.93  | 0.53  | 0.64  | 0.74  | 0.85  | 0.34  | 0.44  | 0.54  | 0.64  |
|               |                | PI        | 1.56  | 1.56  | 1.56  | 1.56  | 1.56  | 1.56  | 1.56  | 1.56  | 1.56  | 1.56  | 1.56  | 1.56  | 1.56  | 1.56  | 1.56  | 1.56  |
| 86            | TC             | 22237     | 22433 | 22629 | 22824 | 23608 | 23608 | 23608 | 23804 | 24294 | 24294 | 24294 | 24294 | 26253 | 26253 | 26253 | 26253 |       |
|               | S/T            | 0.80      | 0.92  | 1.00  | 1.00  | 0.62  | 0.73  | 0.85  | 0.96  | 0.53  | 0.65  | 0.76  | 0.87  | 0.34  | 0.44  | 0.54  | 0.65  |       |
|               | PI             | 1.70      | 1.70  | 1.70  | 1.70  | 1.71  | 1.71  | 1.71  | 1.71  | 1.71  | 1.71  | 1.71  | 1.71  | 1.72  | 1.72  | 1.72  | 1.72  |       |
| 95            | TC             | 21061     | 21257 | 21453 | 21649 | 22433 | 22433 | 22433 | 22629 | 23118 | 23118 | 23510 | 23706 | 24980 | 24980 | 24980 | 24980 |       |
|               | S/T            | 0.82      | 0.94  | 1.00  | 1.00  | 0.63  | 0.75  | 0.87  | 0.99  | 0.54  | 0.66  | 0.77  | 0.88  | 0.34  | 0.44  | 0.55  | 0.66  |       |
|               | PI             | 1.87      | 1.87  | 1.87  | 1.87  | 1.87  | 1.87  | 1.87  | 1.87  | 1.88  | 1.88  | 1.88  | 1.88  | 1.88  | 1.88  | 1.88  | 1.88  |       |
| 104           | TC             | 19892     | 20088 | 20285 | 20481 | 21177 | 21177 | 21266 | 21462 | 21863 | 21863 | 22077 | 22274 | 23638 | 23638 | 23638 | 23638 |       |
|               | S/T            | 0.85      | 0.99  | 1.00  | 1.00  | 0.65  | 0.78  | 0.90  | 1.00  | 0.55  | 0.68  | 0.80  | 0.93  | 0.33  | 0.45  | 0.57  | 0.69  |       |
|               | PI             | 2.06      | 2.06  | 2.06  | 2.06  | 2.07  | 2.07  | 2.07  | 2.07  | 2.08  | 2.08  | 2.08  | 2.08  | 2.08  | 2.08  | 2.08  | 2.08  |       |
| 115           | TC             | 18447     | 18643 | 18839 | 19036 | 19624 | 19624 | 19821 | 20017 | 20311 | 20311 | 20311 | 20508 | 21979 | 21979 | 21979 | 21979 |       |
|               | S/T            | 0.87      | 1.00  | 1.00  | 1.00  | 0.65  | 0.79  | 0.93  | 1.00  | 0.55  | 0.69  | 0.82  | 0.95  | 0.33  | 0.45  | 0.57  | 0.70  |       |
|               | PI             | 2.29      | 2.29  | 2.29  | 2.29  | 2.30  | 2.30  | 2.30  | 2.30  | 2.31  | 2.31  | 2.31  | 2.31  | 2.33  | 2.33  | 2.33  | 2.33  |       |
| 122           | TC             | 17269     | 17466 | 17662 | 17858 | 18447 | 18447 | 18643 | 18839 | 19134 | 19134 | 19134 | 19330 | 20704 | 20704 | 20704 | 20704 |       |
|               | S/T            | 0.90      | 1.00  | 1.00  | 1.00  | 0.67  | 0.81  | 0.96  | 1.00  | 0.56  | 0.70  | 0.85  | 0.98  | 0.33  | 0.46  | 0.59  | 0.91  |       |
|               | PI             | 2.48      | 2.48  | 2.48  | 2.48  | 2.49  | 2.49  | 2.49  | 2.49  | 2.50  | 2.50  | 2.50  | 2.50  | 2.52  | 2.52  | 2.52  | 2.52  |       |

COOLING PERFORMANCE - 24K HH (Sheet 3 of 3)

| AIRFLOW (CFM) | OUTDOOR DB (F) | ID WB (F) | 60.8  |       |       |       | 64.4  |       |       |       | 66.2  |       |       |       | 71.6  |       |       |       |
|---------------|----------------|-----------|-------|-------|-------|-------|-------|-------|-------|-------|-------|-------|-------|-------|-------|-------|-------|-------|
|               |                | ID (DB F) | 73.4  | 77.0  | 80.6  | 84.2  | 73.4  | 77.0  | 80.6  | 84.2  | 73.4  | 77.0  | 80.6  | 84.2  | 73.4  | 77.0  | 80.6  | 84.2  |
| 759           | -22            | TC        | 26634 | 26947 | 27260 | 27574 | 27845 | 27845 | 27845 | 28154 | 28500 | 28500 | 28500 | 28500 | 30162 | 30162 | 30162 | 30162 |
|               |                | S/T       | 0.75  | 0.87  | 1.00  | 1.00  | 0.59  | 0.69  | 0.80  | 0.96  | 0.50  | 0.61  | 0.71  | 0.82  | 0.32  | 0.42  | 0.51  | 0.61  |
|               |                | PI        | 1.61  | 1.60  | 1.60  | 1.61  | 1.61  | 1.61  | 1.61  | 1.61  | 1.62  | 1.62  | 1.62  | 1.62  | 1.63  | 1.63  | 1.63  | 1.63  |
|               | -10            | TC        | 26437 | 26748 | 27059 | 27370 | 27687 | 27687 | 27687 | 27995 | 28358 | 28358 | 28358 | 28358 | 30071 | 30071 | 30071 | 30071 |
|               |                | S/T       | 0.76  | 0.87  | 1.00  | 1.00  | 0.59  | 0.70  | 0.80  | 0.97  | 0.51  | 0.61  | 0.72  | 0.82  | 0.33  | 0.42  | 0.52  | 0.61  |
|               |                | PI        | 1.45  | 1.45  | 1.45  | 1.45  | 1.46  | 1.46  | 1.46  | 1.46  | 1.46  | 1.46  | 1.46  | 1.46  | 1.47  | 1.47  | 1.47  | 1.47  |
|               | 0              | TC        | 26273 | 26582 | 26891 | 27200 | 27555 | 27555 | 27555 | 27861 | 28240 | 28240 | 28240 | 28240 | 29995 | 29995 | 29995 | 29995 |
|               |                | S/T       | 0.76  | 0.88  | 1.00  | 1.00  | 0.60  | 0.70  | 0.81  | 0.97  | 0.51  | 0.62  | 0.72  | 0.83  | 0.33  | 0.42  | 0.52  | 0.62  |
|               |                | PI        | 1.57  | 1.57  | 1.57  | 1.57  | 1.56  | 1.56  | 1.56  | 1.56  | 1.57  | 1.57  | 1.57  | 1.57  | 1.57  | 1.57  | 1.57  | 1.57  |
|               | 5              | TC        | 26196 | 26504 | 26813 | 27121 | 27505 | 27505 | 27505 | 27810 | 28197 | 28197 | 28197 | 28197 | 29974 | 29974 | 29974 | 29974 |
|               |                | S/T       | 0.76  | 0.88  | 1.00  | 1.00  | 0.60  | 0.70  | 0.81  | 0.98  | 0.51  | 0.62  | 0.72  | 0.83  | 0.33  | 0.42  | 0.52  | 0.62  |
|               |                | PI        | 1.47  | 1.47  | 1.47  | 1.47  | 1.47  | 1.47  | 1.47  | 1.47  | 1.47  | 1.47  | 1.47  | 1.47  | 1.46  | 1.46  | 1.46  | 1.46  |
|               | 14             | TC        | 26041 | 26347 | 26654 | 26960 | 27350 | 27350 | 27350 | 27654 | 28056 | 28056 | 28056 | 28056 | 29873 | 29873 | 29873 | 29873 |
|               |                | S/T       | 0.77  | 0.88  | 1.00  | 1.00  | 0.60  | 0.71  | 0.82  | 0.98  | 0.51  | 0.62  | 0.73  | 0.83  | 0.33  | 0.43  | 0.52  | 0.62  |
|               |                | PI        | 1.47  | 1.47  | 1.47  | 1.47  | 1.46  | 1.46  | 1.46  | 1.46  | 1.47  | 1.47  | 1.47  | 1.47  | 1.47  | 1.47  | 1.47  | 1.47  |
|               | 23             | TC        | 25886 | 26190 | 26495 | 26799 | 27247 | 27247 | 27247 | 27550 | 27953 | 27953 | 27953 | 27953 | 29797 | 29797 | 29797 | 29797 |
|               |                | S/T       | 0.77  | 0.89  | 1.00  | 1.00  | 0.60  | 0.71  | 0.82  | 0.99  | 0.52  | 0.62  | 0.73  | 0.84  | 0.33  | 0.43  | 0.53  | 0.62  |
|               |                | PI        | 1.46  | 1.46  | 1.46  | 1.46  | 1.46  | 1.46  | 1.46  | 1.46  | 1.47  | 1.47  | 1.47  | 1.47  | 1.47  | 1.47  | 1.47  | 1.47  |
|               | 32             | TC        | 25756 | 26059 | 26362 | 26665 | 27144 | 27144 | 27144 | 27446 | 27876 | 27876 | 27876 | 27876 | 29772 | 29772 | 29772 | 29772 |
|               |                | S/T       | 0.77  | 0.89  | 1.00  | 1.00  | 0.61  | 0.72  | 0.82  | 0.99  | 0.52  | 0.63  | 0.74  | 0.84  | 0.33  | 0.43  | 0.53  | 0.63  |
|               |                | PI        | 1.47  | 1.47  | 1.47  | 1.47  | 1.47  | 1.47  | 1.47  | 1.47  | 1.47  | 1.47  | 1.47  | 1.47  | 1.47  | 1.47  | 1.47  | 1.47  |
|               | 41             | TC        | 25627 | 25928 | 26230 | 26531 | 27041 | 27041 | 27041 | 27342 | 27786 | 27786 | 27786 | 27786 | 29746 | 29746 | 29746 | 29746 |
|               |                | S/T       | 0.78  | 0.90  | 1.00  | 1.00  | 0.61  | 0.72  | 0.83  | 1.00  | 0.52  | 0.63  | 0.74  | 0.85  | 0.33  | 0.43  | 0.53  | 0.63  |
|               |                | PI        | 1.48  | 1.48  | 1.48  | 1.48  | 1.48  | 1.48  | 1.48  | 1.48  | 1.48  | 1.48  | 1.48  | 1.48  | 1.48  | 1.48  | 1.48  | 1.48  |
|               | 50             | TC        | 25471 | 25771 | 26071 | 26370 | 26913 | 26913 | 26913 | 27212 | 27670 | 27670 | 27670 | 27670 | 29670 | 29670 | 29670 | 29670 |
|               |                | S/T       | 0.78  | 0.90  | 1.00  | 1.00  | 0.61  | 0.72  | 0.83  | 1.00  | 0.52  | 0.63  | 0.74  | 0.85  | 0.34  | 0.44  | 0.53  | 0.63  |
|               |                | PI        | 1.51  | 1.51  | 1.51  | 1.51  | 1.50  | 1.50  | 1.50  | 1.50  | 1.51  | 1.51  | 1.51  | 1.51  | 1.50  | 1.50  | 1.50  | 1.50  |
|               | 59             | TC        | 25264 | 25562 | 25859 | 26156 | 26732 | 26732 | 26732 | 27029 | 27503 | 27503 | 27503 | 27503 | 29543 | 29543 | 29543 | 29543 |
|               |                | S/T       | 0.79  | 0.91  | 1.00  | 1.00  | 0.62  | 0.73  | 0.84  | 0.95  | 0.53  | 0.64  | 0.75  | 0.86  | 0.34  | 0.44  | 0.54  | 0.64  |
|               |                | PI        | 1.55  | 1.55  | 1.55  | 1.55  | 1.54  | 1.54  | 1.54  | 1.54  | 1.54  | 1.54  | 1.54  | 1.54  | 1.53  | 1.53  | 1.53  | 1.53  |
|               | 68             | TC        | 24980 | 25273 | 25567 | 25861 | 26449 | 26449 | 26449 | 26743 | 27233 | 27233 | 27233 | 27233 | 29290 | 29290 | 29290 | 29290 |
|               |                | S/T       | 0.79  | 0.91  | 1.00  | 1.00  | 0.62  | 0.73  | 0.84  | 0.95  | 0.53  | 0.64  | 0.75  | 0.86  | 0.34  | 0.44  | 0.54  | 0.64  |
|               |                | PI        | 1.60  | 1.60  | 1.60  | 1.60  | 1.59  | 1.59  | 1.59  | 1.59  | 1.59  | 1.59  | 1.59  | 1.59  | 1.58  | 1.58  | 1.58  | 1.58  |
|               | 77             | TC        | 23804 | 24000 | 24196 | 24392 | 25273 | 25273 | 25273 | 25567 | 26057 | 26057 | 26057 | 26057 | 28016 | 28016 | 28016 | 28016 |
|               |                | S/T       | 0.81  | 0.93  | 1.00  | 1.00  | 0.62  | 0.74  | 0.86  | 0.97  | 0.54  | 0.65  | 0.76  | 0.88  | 0.34  | 0.44  | 0.55  | 0.65  |
|               |                | PI        | 1.76  | 1.76  | 1.76  | 1.76  | 1.76  | 1.76  | 1.76  | 1.76  | 1.76  | 1.76  | 1.76  | 1.76  | 1.76  | 1.76  | 1.76  | 1.76  |
|               | 86             | TC        | 22629 | 22824 | 23020 | 23216 | 24098 | 24098 | 24098 | 24294 | 24882 | 24882 | 24882 | 25176 | 26743 | 26743 | 26743 | 26743 |
|               |                | S/T       | 0.83  | 0.95  | 1.00  | 1.00  | 0.63  | 0.75  | 0.88  | 0.99  | 0.54  | 0.66  | 0.78  | 0.89  | 0.34  | 0.45  | 0.56  | 0.67  |
|               |                | PI        | 1.92  | 1.92  | 1.92  | 1.92  | 1.93  | 1.93  | 1.93  | 1.93  | 1.93  | 1.93  | 1.93  | 1.93  | 1.94  | 1.94  | 1.94  | 1.94  |
|               | 95             | TC        | 21551 | 21747 | 21943 | 22139 | 22922 | 22922 | 23118 | 23314 | 23608 | 23608 | 24000 | 24196 | 25469 | 25469 | 25469 | 25469 |
|               |                | S/T       | 0.84  | 0.98  | 1.00  | 1.00  | 0.64  | 0.77  | 0.89  | 1.00  | 0.55  | 0.67  | 0.79  | 0.91  | 0.33  | 0.45  | 0.56  | 0.68  |
|               |                | PI        | 2.10  | 2.10  | 2.10  | 2.10  | 2.11  | 2.11  | 2.11  | 2.11  | 2.12  | 2.12  | 2.12  | 2.12  | 2.13  | 2.13  | 2.13  | 2.13  |
|               | 104            | TC        | 20338 | 20534 | 20731 | 20927 | 21667 | 21667 | 21863 | 22060 | 22309 | 22309 | 22523 | 22720 | 24129 | 24129 | 24129 | 24129 |
|               |                | S/T       | 0.88  | 1.00  | 1.00  | 1.00  | 0.66  | 0.80  | 0.94  | 1.00  | 0.56  | 0.70  | 0.83  | 0.96  | 0.33  | 0.45  | 0.58  | 0.90  |
|               |                | PI        | 2.32  | 2.32  | 2.32  | 2.32  | 2.33  | 2.33  | 2.33  | 2.33  | 2.34  | 2.34  | 2.34  | 2.34  | 2.35  | 2.35  | 2.35  | 2.35  |
|               | 115            | TC        | 18839 | 19036 | 19232 | 19428 | 20115 | 20115 | 20311 | 20508 | 20704 | 20704 | 20704 | 20900 | 22470 | 22470 | 22470 | 22470 |
|               |                | S/T       | 0.90  | 1.00  | 1.00  | 1.00  | 0.67  | 0.82  | 0.96  | 1.00  | 0.56  | 0.71  | 0.85  | 0.99  | 0.32  | 0.46  | 0.59  | 0.92  |
|               |                | PI        | 2.58  | 2.58  | 2.58  | 2.58  | 2.59  | 2.59  | 2.59  | 2.59  | 2.60  | 2.60  | 2.60  | 2.60  | 2.62  | 2.62  | 2.62  | 2.62  |
| 122           | TC             | 17662     | 17858 | 18054 | 18251 | 18839 | 18839 | 19036 | 19232 | 19526 | 19526 | 19526 | 19723 | 21096 | 21096 | 21096 | 21096 |       |
|               | S/T            | 0.93      | 1.00  | 1.00  | 1.00  | 0.68  | 0.84  | 0.99  | 1.00  | 0.57  | 0.72  | 0.88  | 1.00  | 0.32  | 0.46  | 0.60  | 0.97  |       |
|               | PI             | 2.80      | 2.80  | 2.80  | 2.80  | 2.81  | 2.81  | 2.81  | 2.81  | 2.82  | 2.82  | 2.82  | 2.82  | 2.84  | 2.84  | 2.84  | 2.84  |       |

| COOLING PERFORMANCE - 24K HH (Sheet 4 of 4) |                |           |       |       |       |       |       |       |       |       |       |       |       |       |       |       |       |       |
|---|----------------|-----------|-------|-------|-------|-------|-------|-------|-------|-------|-------|-------|-------|-------|-------|-------|-------|-------|
| AIRFLOW (CFM)                               | OUTDOOR DB (F) | ID WB (F) | 60.8  |       |       |       | 64.4  |       |       |       | 66.2  |       |       |       | 71.6  |       |       |       |
|   |                | ID (DB F) | 73.4  | 77.0  | 80.6  | 84.2  | 73.4  | 77.0  | 80.6  | 84.2  | 73.4  | 77.0  | 80.6  | 84.2  | 73.4  | 77.0  | 80.6  | 84.2  |
| 824   | -22            | TC        | 27275 | 27699 | 28012 | 28325 | 28478 | 28478 | 28478 | 28787 | 29129 | 29129 | 29129 | 29129 | 30885 | 30885 | 30885 | 30885 |
|   |                | S/T       | 0.76  | 0.89  | 1.00  | 1.00  | 0.60  | 0.71  | 0.83  | 1.00  | 0.50  | 0.62  | 0.73  | 0.85  | 0.32  | 0.42  | 0.52  | 0.62  |
|   |                | PI        | 1.50  | 1.50  | 1.50  | 1.50  | 1.49  | 1.49  | 1.49  | 1.49  | 1.49  | 1.49  | 1.49  | 1.49  | 1.48  | 1.48  | 1.48  | 1.48  |
|   | -10            | TC        | 27074 | 27494 | 27805 | 28116 | 28316 | 28316 | 28316 | 28624 | 28984 | 28984 | 28984 | 28984 | 30792 | 30792 | 30792 | 30792 |
|   |                | S/T       | 0.77  | 0.90  | 1.00  | 1.00  | 0.60  | 0.72  | 0.83  | 1.00  | 0.51  | 0.62  | 0.74  | 0.85  | 0.33  | 0.42  | 0.53  | 0.62  |
|   |                | PI        | 1.50  | 1.50  | 1.50  | 1.50  | 1.49  | 1.49  | 1.49  | 1.49  | 1.49  | 1.49  | 1.49  | 1.49  | 1.49  | 1.49  | 1.49  | 1.49  |
|   | 0              | TC        | 26906 | 27323 | 27632 | 27941 | 28181 | 28181 | 28181 | 28488 | 28862 | 28862 | 28862 | 28862 | 30714 | 30714 | 30714 | 30714 |
|   |                | S/T       | 0.77  | 0.91  | 1.00  | 1.00  | 0.61  | 0.72  | 0.84  | 1.00  | 0.51  | 0.63  | 0.74  | 0.86  | 0.33  | 0.42  | 0.53  | 0.63  |
|   |                | PI        | 1.50  | 1.50  | 1.50  | 1.50  | 1.49  | 1.49  | 1.49  | 1.49  | 1.49  | 1.49  | 1.49  | 1.49  | 1.49  | 1.49  | 1.49  | 1.49  |
|   | 5              | TC        | 26827 | 27244 | 27552 | 27859 | 28130 | 28130 | 28130 | 28435 | 28819 | 28819 | 28819 | 28819 | 30693 | 30693 | 30693 | 30693 |
|   |                | S/T       | 0.77  | 0.91  | 1.00  | 1.00  | 0.61  | 0.72  | 0.84  | 1.00  | 0.51  | 0.63  | 0.74  | 0.86  | 0.33  | 0.42  | 0.53  | 0.63  |
|   |                | PI        | 1.50  | 1.50  | 1.50  | 1.50  | 1.49  | 1.49  | 1.49  | 1.49  | 1.50  | 1.50  | 1.50  | 1.50  | 1.49  | 1.49  | 1.49  | 1.49  |
|   | 14             | TC        | 26668 | 27082 | 27388 | 27694 | 27972 | 27972 | 27972 | 28276 | 28674 | 28674 | 28674 | 28674 | 30589 | 30589 | 30589 | 30589 |
|   |                | S/T       | 0.78  | 0.91  | 1.00  | 1.00  | 0.61  | 0.73  | 0.85  | 1.00  | 0.51  | 0.63  | 0.75  | 0.86  | 0.33  | 0.43  | 0.53  | 0.63  |
|   |                | PI        | 1.49  | 1.49  | 1.49  | 1.49  | 1.49  | 1.49  | 1.49  | 1.49  | 1.49  | 1.49  | 1.49  | 1.49  | 1.49  | 1.49  | 1.49  | 1.49  |
|   | 23             | TC        | 26509 | 26921 | 27225 | 27529 | 27867 | 27867 | 27867 | 28169 | 28569 | 28569 | 28569 | 28569 | 30511 | 30511 | 30511 | 30511 |
|   |                | S/T       | 0.78  | 0.92  | 1.00  | 1.00  | 0.61  | 0.73  | 0.85  | 1.00  | 0.52  | 0.63  | 0.75  | 0.87  | 0.33  | 0.43  | 0.54  | 0.63  |
|   |                | PI        | 1.49  | 1.49  | 1.49  | 1.49  | 1.49  | 1.49  | 1.49  | 1.49  | 1.49  | 1.49  | 1.49  | 1.49  | 1.49  | 1.49  | 1.49  | 1.49  |
|   | 32             | TC        | 26377 | 26786 | 27089 | 27391 | 27761 | 27761 | 27761 | 28063 | 28490 | 28490 | 28490 | 28490 | 30485 | 30485 | 30485 | 30485 |
|   |                | S/T       | 0.78  | 0.92  | 1.00  | 1.00  | 0.62  | 0.74  | 0.85  | 1.00  | 0.52  | 0.64  | 0.76  | 0.87  | 0.33  | 0.43  | 0.54  | 0.64  |
|   |                | PI        | 1.50  | 1.50  | 1.50  | 1.50  | 1.49  | 1.49  | 1.49  | 1.49  | 1.50  | 1.50  | 1.50  | 1.50  | 1.50  | 1.50  | 1.50  | 1.50  |
|   | 41             | TC        | 26244 | 26651 | 26953 | 27254 | 27656 | 27656 | 27656 | 27956 | 28398 | 28398 | 28398 | 28398 | 30459 | 30459 | 30459 | 30459 |
|   |                | S/T       | 0.79  | 0.93  | 0.99  | 0.99  | 0.62  | 0.74  | 0.86  | 1.00  | 0.52  | 0.64  | 0.76  | 0.88  | 0.33  | 0.43  | 0.54  | 0.64  |
|   |                | PI        | 1.51  | 1.51  | 1.51  | 1.51  | 1.51  | 1.51  | 1.51  | 1.51  | 1.51  | 1.51  | 1.51  | 1.51  | 1.51  | 1.51  | 1.51  | 1.51  |
|   | 50             | TC        | 26085 | 26490 | 26789 | 27089 | 27524 | 27524 | 27524 | 27823 | 28280 | 28280 | 28280 | 28280 | 30381 | 30381 | 30381 | 30381 |
|   |                | S/T       | 0.79  | 0.93  | 1.00  | 1.00  | 0.62  | 0.74  | 0.86  | 1.00  | 0.52  | 0.64  | 0.76  | 0.88  | 0.34  | 0.44  | 0.54  | 0.64  |
|   |                | PI        | 1.54  | 1.54  | 1.54  | 1.54  | 1.53  | 1.53  | 1.53  | 1.53  | 1.53  | 1.53  | 1.53  | 1.53  | 1.53  | 1.53  | 1.53  | 1.53  |
|   | 59             | TC        | 25873 | 26274 | 26571 | 26868 | 27340 | 27340 | 27340 | 27637 | 28109 | 28109 | 28109 | 28109 | 30252 | 30252 | 30252 | 30252 |
|   |                | S/T       | 0.80  | 0.94  | 1.00  | 1.00  | 0.63  | 0.75  | 0.87  | 0.99  | 0.53  | 0.65  | 0.77  | 0.89  | 0.34  | 0.44  | 0.55  | 0.65  |
|   |                | PI        | 1.57  | 1.57  | 1.57  | 1.57  | 1.57  | 1.57  | 1.57  | 1.57  | 1.57  | 1.57  | 1.57  | 1.57  | 1.56  | 1.56  | 1.56  | 1.56  |
|   | 68             | TC        | 25582 | 25978 | 26272 | 26566 | 27050 | 27050 | 27050 | 27344 | 27833 | 27833 | 27833 | 27833 | 29992 | 29992 | 29992 | 29992 |
|   |                | S/T       | 0.80  | 0.94  | 1.00  | 1.00  | 0.63  | 0.75  | 0.87  | 0.99  | 0.53  | 0.65  | 0.77  | 0.89  | 0.34  | 0.44  | 0.55  | 0.65  |
|   |                | PI        | 1.63  | 1.63  | 1.63  | 1.63  | 1.62  | 1.62  | 1.62  | 1.62  | 1.62  | 1.62  | 1.62  | 1.62  | 1.61  | 1.61  | 1.61  | 1.61  |
|   | 77             | TC        | 24304 | 24500 | 24696 | 24892 | 25773 | 25773 | 25773 | 26067 | 26658 | 26658 | 26658 | 26658 | 28617 | 28617 | 28617 | 28617 |
|   |                | S/T       | 0.83  | 0.96  | 1.00  | 1.00  | 0.63  | 0.76  | 0.89  | 1.00  | 0.55  | 0.66  | 0.78  | 0.91  | 0.34  | 0.44  | 0.56  | 0.66  |
|   |                | PI        | 1.79  | 1.79  | 1.79  | 1.79  | 1.79  | 1.79  | 1.79  | 1.79  | 1.79  | 1.79  | 1.79  | 1.79  | 1.79  | 1.79  | 1.79  | 1.79  |
|   | 86             | TC        | 23027 | 23223 | 23419 | 23615 | 24598 | 24598 | 24598 | 24794 | 25484 | 25484 | 25484 | 26089 | 27242 | 27242 | 27242 | 27242 |
|   |                | S/T       | 0.86  | 0.98  | 1.00  | 1.00  | 0.64  | 0.77  | 0.91  | 1.00  | 0.55  | 0.67  | 0.80  | 0.91  | 0.34  | 0.46  | 0.58  | 0.69  |
|   |                | PI        | 1.95  | 1.95  | 1.95  | 1.95  | 1.97  | 1.97  | 1.97  | 1.97  | 1.97  | 1.97  | 1.97  | 1.97  | 1.98  | 1.98  | 1.98  | 1.98  |
|   | 95             | TC        | 22052 | 22248 | 22444 | 22640 | 23423 | 23423 | 23825 | 24021 | 24108 | 24108 | 24500 | 24696 | 25969 | 25969 | 25969 | 25969 |
|   |                | S/T       | 0.86  | 1.00  | 1.00  | 1.00  | 0.65  | 0.79  | 0.91  | 1.00  | 0.56  | 0.68  | 0.81  | 0.94  | 0.32  | 0.46  | 0.57  | 0.70  |
|   |                | PI        | 2.13  | 2.13  | 2.13  | 2.13  | 2.15  | 2.15  | 2.15  | 2.15  | 2.16  | 2.16  | 2.16  | 2.16  | 2.18  | 2.18  | 2.18  | 2.18  |
|   | 104            | TC        | 20794 | 20990 | 21186 | 21382 | 22169 | 22169 | 22478 | 22674 | 22764 | 22764 | 22978 | 23175 | 24630 | 24630 | 24630 | 24630 |
|   |                | S/T       | 0.91  | 1.00  | 1.00  | 1.00  | 0.67  | 0.82  | 0.98  | 1.00  | 0.57  | 0.72  | 0.86  | 0.99  | 0.33  | 0.45  | 0.59  | 1.00  |
|   |                | PI        | 2.36  | 2.36  | 2.36  | 2.36  | 2.37  | 2.37  | 2.37  | 2.37  | 2.38  | 2.38  | 2.38  | 2.38  | 2.40  | 2.40  | 2.40  | 2.40  |
|   | 115            | TC        | 19240 | 19436 | 19633 | 19829 | 20618 | 20618 | 20814 | 21010 | 21104 | 21104 | 21104 | 21300 | 22972 | 22972 | 22972 | 22972 |
|   |                | S/T       | 0.93  | 1.00  | 1.00  | 1.00  | 0.69  | 0.85  | 0.99  | 1.00  | 0.57  | 0.73  | 0.88  | 1.00  | 0.31  | 0.47  | 0.61  | 1.00  |
|   |                | PI        | 2.63  | 2.63  | 2.63  | 2.63  | 2.63  | 2.63  | 2.63  | 2.63  | 2.65  | 2.65  | 2.65  | 2.65  | 2.67  | 2.67  | 2.67  | 2.67  |
| 122   | TC             | 18063     | 18260 | 18456 | 18652 | 19240 | 19240 | 19436 | 19633 | 19927 | 19927 | 19927 | 20123 | 21496 | 21496 | 21496 | 21496 |       |
|   | S/T            | 0.95      | 1.00  | 1.00  | 1.00  | 0.69  | 0.87  | 1.00  | 1.00  | 0.58  | 0.74  | 0.91  | 1.00  | 0.31  | 0.46  | 0.61  | 1.00  |       |
|   | PI             | 2.85      | 2.85  | 2.85  | 2.85  | 2.86  | 2.86  | 2.86  | 2.86  | 2.87  | 2.87  | 2.87  | 2.87  | 2.89  | 2.89  | 2.89  | 2.89  |       |

LEGEND

TC - Total Cooling Capacity (BTU/hr)  
 S/T - Sensible Cooling Capacity Ratio  
 PI - Power Input (kW)  
 Gray shaded area is Extrapolated Data

Manufacturer reserves the right to change, at any time, specifications and designs without notice and without obligations.

HEATING PERFORMANCE AT INDOOR DRY BULB TEMPERATURE - 24K HH (Sheet 1 of 2)

| AIRFLOW (CFM) | OUTDOOR (DB F) | TC: TOTAL CAPACITY IN BTU/HR |       |       |       | PI: TOTAL POWER IN KILOWATTS |      |      |      |
|---------------|----------------|------------------------------|-------|-------|-------|------------------------------|------|------|------|
|               |                | Indoor Conditions (DB F)     |       |       |       | Indoor Conditions (DB F)     |      |      |      |
|               |                | 60.8                         | 68.0  | 71.6  | 75.2  | 60.8                         | 68.0 | 71.6 | 75.2 |
| 630           | -22.0          | 17416                        | 17279 | 17211 | 17143 | 2.19                         | 2.27 | 2.19 | 2.19 |
|               | -10.0          | 20039                        | 19882 | 19803 | 19724 | 2.57                         | 2.66 | 2.57 | 2.57 |
|               | 0.0            | 22225                        | 22050 | 21963 | 21876 | 2.88                         | 2.99 | 2.88 | 2.88 |
|               | 5.0            | 23394                        | 23210 | 23119 | 23027 | 3.05                         | 3.17 | 3.05 | 3.05 |
|               | 14.0           | 24980                        | 24784 | 24686 | 24588 | 3.26                         | 3.38 | 3.26 | 3.26 |
|               | 17.0           | 26169                        | 25964 | 25861 | 25759 | 3.46                         | 3.59 | 3.46 | 3.46 |
|               | 22.0           | 25270                        | 25072 | 24973 | 24874 | 3.32                         | 3.31 | 3.31 | 3.31 |
|               | 27.0           | 24379                        | 24180 | 24081 | 23982 | 3.06                         | 3.04 | 3.03 | 3.03 |
|               | 32.0           | 23288                        | 23090 | 22991 | 22793 | 2.79                         | 2.77 | 2.76 | 2.75 |
|               | 37.0           | 22892                        | 22595 | 22496 | 22397 | 2.56                         | 2.52 | 2.50 | 2.49 |
|               | 42.0           | 23189                        | 22892 | 22694 | 22595 | 2.32                         | 2.27 | 2.25 | 2.22 |
|               | 44.6           | 23608                        | 23306 | 23405 | 23306 | 2.20                         | 2.00 | 2.12 | 2.09 |
|               | 52.0           | 23306                        | 22909 | 22810 | 22612 | 1.83                         | 1.75 | 1.72 | 1.68 |
|               | 57.0           | 22909                        | 22512 | 22314 | 22116 | 1.58                         | 1.50 | 1.46 | 1.41 |
|               | 62.0           | 22413                        | 22116 | 21917 | 21719 | 1.33                         | 1.24 | 1.19 | 1.14 |
| 64.4          | 22215          | 21818                        | 21620 | 21521 | 1.21  | 1.11                         | 1.06 | 1.01 |      |
| 695           | -22.0          | 17783                        | 17646 | 17578 | 17510 | 2.21                         | 2.30 | 2.22 | 2.22 |
|               | -10.0          | 20461                        | 20304 | 20226 | 20147 | 2.59                         | 2.69 | 2.60 | 2.60 |
|               | 0.0            | 22693                        | 22519 | 22432 | 22345 | 2.90                         | 3.02 | 2.91 | 2.91 |
|               | 5.0            | 23887                        | 23704 | 23612 | 23521 | 3.08                         | 3.20 | 3.09 | 3.09 |
|               | 14.0           | 25506                        | 25311 | 25213 | 25115 | 3.28                         | 3.41 | 3.29 | 3.29 |
|               | 17.0           | 26721                        | 26516 | 26414 | 26311 | 3.49                         | 3.62 | 3.50 | 3.50 |
|               | 22.0           | 25865                        | 25667 | 25568 | 25469 | 3.35                         | 3.35 | 3.35 | 3.34 |
|               | 27.0           | 24973                        | 24676 | 24577 | 24478 | 3.09                         | 3.07 | 3.06 | 3.06 |
|               | 32.0           | 23784                        | 23586 | 23388 | 23288 | 2.82                         | 2.80 | 2.78 | 2.77 |
|               | 37.0           | 23388                        | 23090 | 22991 | 22793 | 2.59                         | 2.55 | 2.53 | 2.51 |
|               | 42.0           | 23685                        | 23388 | 23189 | 23090 | 2.34                         | 2.29 | 2.27 | 2.24 |
|               | 44.6           | 24104                        | 23802 | 24000 | 23802 | 2.22                         | 2.02 | 2.14 | 2.11 |
|               | 52.0           | 23802                        | 23405 | 23306 | 23107 | 1.85                         | 1.77 | 1.73 | 1.70 |
|               | 57.0           | 23306                        | 23008 | 22810 | 22612 | 1.59                         | 1.52 | 1.47 | 1.43 |
|               | 62.0           | 22909                        | 22512 | 22314 | 22116 | 1.35                         | 1.25 | 1.20 | 1.15 |
| 64.4          | 22711          | 22314                        | 22116 | 21917 | 1.23  | 1.12                         | 1.07 | 1.02 |      |
| 759           | -22.0          | 17943                        | 17807 | 17739 | 17670 | 2.24                         | 2.32 | 2.24 | 2.24 |
|               | -10.0          | 20646                        | 20489 | 20410 | 20332 | 2.62                         | 2.71 | 2.62 | 2.62 |
|               | 0.0            | 22898                        | 22724 | 22637 | 22549 | 2.94                         | 3.04 | 2.94 | 2.94 |
|               | 5.0            | 24102                        | 23919 | 23827 | 23736 | 3.11                         | 3.23 | 3.11 | 3.11 |
|               | 14.0           | 25736                        | 25541 | 25443 | 25345 | 3.32                         | 3.44 | 3.32 | 3.32 |
|               | 17.0           | 26962                        | 26757 | 26654 | 26552 | 3.53                         | 3.66 | 3.53 | 3.53 |
|               | 22.0           | 26063                        | 25865 | 25766 | 25667 | 3.38                         | 3.38 | 3.38 | 3.38 |
|               | 27.0           | 25171                        | 24973 | 24775 | 24676 | 3.12                         | 3.10 | 3.09 | 3.08 |
|               | 32.0           | 23982                        | 23784 | 23586 | 23487 | 2.85                         | 2.82 | 2.81 | 2.79 |
|               | 37.0           | 23586                        | 23288 | 23189 | 22991 | 2.61                         | 2.57 | 2.55 | 2.53 |
|               | 42.0           | 23883                        | 23586 | 23388 | 23288 | 2.37                         | 2.32 | 2.29 | 2.26 |
|               | 44.6           | 24303                        | 24000 | 24198 | 24000 | 2.24                         | 2.04 | 2.16 | 2.13 |
|               | 52.0           | 24000                        | 23603 | 23504 | 23306 | 1.86                         | 1.79 | 1.75 | 1.71 |
|               | 57.0           | 23504                        | 23207 | 23008 | 22810 | 1.61                         | 1.53 | 1.49 | 1.44 |
|               | 62.0           | 23107                        | 22711 | 22512 | 22314 | 1.36                         | 1.26 | 1.21 | 1.16 |
| 64.4          | 22909          | 22512                        | 22314 | 22116 | 1.24  | 1.13                         | 1.08 | 1.03 |      |



HEATING PERFORMANCE AT INDOOR DRY BULB TEMPERATURE - 24K HH (Sheet 2 of 2)

| AIRFLOW (CFM) | OUTDOOR (DB F) | TC: TOTAL CAPACITY IN BTU/HR |       |       |       | PI: TOTAL POWER IN KILOWATTS |      |      |      |
|---------------|----------------|------------------------------|-------|-------|-------|------------------------------|------|------|------|
|               |                | Indoor Conditions (DB F)     |       |       |       | Indoor Conditions (DB F)     |      |      |      |
|               |                | 60.8                         | 68.0  | 71.6  | 75.2  | 60.8                         | 68.0 | 71.6 | 75.2 |
| 824           | -22.0          | 18105                        | 17969 | 17900 | 17832 | 2.26                         | 2.34 | 2.25 | 2.25 |
|               | -10.0          | 20832                        | 20675 | 20596 | 20518 | 2.65                         | 2.74 | 2.64 | 2.64 |
|               | 0.0            | 23104                        | 22930 | 22843 | 22756 | 2.97                         | 3.07 | 2.96 | 2.96 |
|               | 5.0            | 24320                        | 24136 | 24045 | 23953 | 3.15                         | 3.26 | 3.14 | 3.14 |
|               | 14.0           | 25969                        | 25773 | 25675 | 25577 | 3.36                         | 3.47 | 3.35 | 3.35 |
|               | 17.0           | 27205                        | 27000 | 26897 | 26795 | 3.57                         | 3.69 | 3.56 | 3.56 |
|               | 22.0           | 26263                        | 26065 | 25966 | 25867 | 3.41                         | 3.41 | 3.41 | 3.42 |
|               | 27.0           | 25371                        | 25274 | 24975 | 24876 | 3.15                         | 3.13 | 3.12 | 3.10 |
|               | 32.0           | 24182                        | 23984 | 23786 | 23687 | 2.88                         | 2.84 | 2.84 | 2.81 |
|               | 37.0           | 23786                        | 23488 | 23389 | 23191 | 2.63                         | 2.59 | 2.57 | 2.55 |
|               | 42.0           | 24083                        | 23786 | 23587 | 23488 | 2.40                         | 2.35 | 2.31 | 2.28 |
|               | 44.6           | 24502                        | 24200 | 24398 | 24200 | 2.26                         | 2.06 | 2.18 | 2.15 |
|               | 52.0           | 24200                        | 23803 | 23704 | 23506 | 1.87                         | 1.81 | 1.77 | 1.72 |
|               | 57.0           | 23704                        | 23407 | 23208 | 23010 | 1.63                         | 1.54 | 1.51 | 1.45 |
| 62.0          | 23308          | 22911                        | 22713 | 22514 | 1.37  | 1.27                         | 1.22 | 1.17 |      |
| 64.4          | 23109          | 22713                        | 22514 | 22316 | 1.25  | 1.14                         | 1.09 | 1.04 |      |

Gray shaded area is Extrapolated Data

COOLING PERFORMANCE - 30K (Sheet 1 of 4)

| AIRFLOW<br>(CFM) | OUTDOOR<br>(DB F) | ID (WB F) | 60.8  |       |       |       | 64.4  |       |       |       | 66.2  |       |       |       | 71.6  |       |       |       |
|------------------|-------------------|-----------|-------|-------|-------|-------|-------|-------|-------|-------|-------|-------|-------|-------|-------|-------|-------|-------|
|                  |                   | ID (DB F) | 73.4  | 77.0  | 80.6  | 84.2  | 73.4  | 77.0  | 80.6  | 84.2  | 73.4  | 77.0  | 80.6  | 84.2  | 73.4  | 77.0  | 80.6  | 84.2  |
| 712              | -22               | TC        | 31921 | 31974 | 31974 | 31974 | 33428 | 34164 | 34164 | 34164 | 34153 | 34153 | 34153 | 34153 | 36129 | 36129 | 36129 | 36129 |
|                  |                   | S/T       | 0.65  | 0.69  | 0.75  | 0.81  | 0.54  | 0.59  | 0.65  | 0.70  | 0.49  | 0.54  | 0.60  | 0.65  | 0.38  | 0.43  | 0.48  | 0.52  |
|                  |                   | PI        | 2.30  | 2.30  | 2.30  | 2.30  | 2.31  | 2.31  | 2.31  | 2.31  | 2.31  | 2.31  | 2.31  | 2.31  | 2.33  | 2.33  | 2.33  | 2.33  |
|                  | -10               | TC        | 31686 | 31738 | 31738 | 31738 | 33238 | 33970 | 33970 | 33970 | 33983 | 33983 | 33983 | 33983 | 36020 | 36020 | 36020 | 36020 |
|                  |                   | S/T       | 0.65  | 0.70  | 0.76  | 0.81  | 0.55  | 0.60  | 0.65  | 0.71  | 0.50  | 0.55  | 0.60  | 0.65  | 0.38  | 0.43  | 0.48  | 0.53  |
|                  |                   | PI        | 2.09  | 2.08  | 2.08  | 2.09  | 2.09  | 2.09  | 2.09  | 2.09  | 2.09  | 2.09  | 2.09  | 2.09  | 2.10  | 2.10  | 2.10  | 2.10  |
|                  | 0                 | TC        | 31489 | 31541 | 31541 | 31541 | 33080 | 33808 | 33808 | 33808 | 33841 | 33841 | 33841 | 33841 | 35928 | 35928 | 35928 | 35928 |
|                  |                   | S/T       | 0.65  | 0.70  | 0.76  | 0.82  | 0.55  | 0.60  | 0.65  | 0.71  | 0.50  | 0.55  | 0.61  | 0.65  | 0.39  | 0.43  | 0.48  | 0.53  |
|                  |                   | PI        | 1.95  | 1.95  | 1.95  | 1.95  | 1.94  | 1.94  | 1.94  | 1.94  | 1.95  | 1.95  | 1.95  | 1.95  | 1.96  | 1.96  | 1.96  | 1.96  |
|                  | 5                 | TC        | 31397 | 31449 | 31449 | 31449 | 33020 | 33746 | 33746 | 33746 | 33790 | 33790 | 33790 | 33790 | 35904 | 35904 | 35904 | 35904 |
|                  |                   | S/T       | 0.66  | 0.70  | 0.76  | 0.82  | 0.55  | 0.60  | 0.66  | 0.71  | 0.50  | 0.55  | 0.61  | 0.66  | 0.39  | 0.43  | 0.48  | 0.53  |
|                  |                   | PI        | 1.83  | 1.83  | 1.83  | 1.83  | 1.82  | 1.82  | 1.82  | 1.82  | 1.82  | 1.82  | 1.82  | 1.82  | 1.82  | 1.82  | 1.82  | 1.82  |
|                  | 14                | TC        | 31211 | 31262 | 31262 | 31262 | 32834 | 33557 | 33557 | 33557 | 33620 | 33620 | 33620 | 33620 | 35783 | 35783 | 35783 | 35783 |
|                  |                   | S/T       | 0.66  | 0.71  | 0.77  | 0.82  | 0.55  | 0.61  | 0.66  | 0.72  | 0.50  | 0.55  | 0.61  | 0.66  | 0.39  | 0.44  | 0.49  | 0.53  |
|                  |                   | PI        | 1.82  | 1.82  | 1.82  | 1.82  | 1.82  | 1.82  | 1.82  | 1.82  | 1.82  | 1.82  | 1.82  | 1.82  | 1.82  | 1.82  | 1.82  | 1.82  |
|                  | 23                | TC        | 31025 | 31076 | 31076 | 31076 | 32710 | 33431 | 33431 | 33431 | 33497 | 33497 | 33497 | 33497 | 35692 | 35692 | 35692 | 35692 |
|                  |                   | S/T       | 0.66  | 0.71  | 0.77  | 0.83  | 0.56  | 0.61  | 0.66  | 0.72  | 0.51  | 0.56  | 0.61  | 0.66  | 0.39  | 0.44  | 0.49  | 0.54  |
|                  |                   | PI        | 1.82  | 1.82  | 1.82  | 1.82  | 1.82  | 1.82  | 1.82  | 1.82  | 1.82  | 1.82  | 1.82  | 1.82  | 1.83  | 1.83  | 1.83  | 1.83  |
|                  | 32                | TC        | 30870 | 30920 | 30920 | 30920 | 32587 | 33304 | 33304 | 33304 | 33404 | 33404 | 33404 | 33404 | 35661 | 35661 | 35661 | 35661 |
|                  |                   | S/T       | 0.67  | 0.72  | 0.77  | 0.83  | 0.56  | 0.61  | 0.67  | 0.73  | 0.51  | 0.56  | 0.62  | 0.67  | 0.39  | 0.44  | 0.49  | 0.54  |
|                  |                   | PI        | 1.83  | 1.83  | 1.83  | 1.83  | 1.82  | 1.82  | 1.82  | 1.82  | 1.83  | 1.83  | 1.83  | 1.83  | 1.83  | 1.83  | 1.83  | 1.83  |
|                  | 41                | TC        | 30715 | 30765 | 30765 | 30765 | 32463 | 33178 | 33178 | 33178 | 33297 | 33297 | 33297 | 33297 | 35631 | 35631 | 35631 | 35631 |
|                  |                   | S/T       | 0.67  | 0.72  | 0.78  | 0.84  | 0.56  | 0.62  | 0.67  | 0.73  | 0.51  | 0.56  | 0.62  | 0.67  | 0.39  | 0.44  | 0.49  | 0.54  |
|                  |                   | PI        | 1.84  | 1.84  | 1.84  | 1.84  | 1.84  | 1.84  | 1.84  | 1.84  | 1.84  | 1.84  | 1.84  | 1.84  | 1.85  | 1.85  | 1.85  | 1.85  |
|                  | 50                | TC        | 30528 | 30578 | 30578 | 30578 | 32309 | 33020 | 33020 | 33020 | 33158 | 33158 | 33158 | 33158 | 35540 | 35540 | 35540 | 35540 |
|                  |                   | S/T       | 0.67  | 0.72  | 0.78  | 0.84  | 0.56  | 0.62  | 0.67  | 0.73  | 0.51  | 0.56  | 0.62  | 0.67  | 0.40  | 0.45  | 0.50  | 0.54  |
|                  |                   | PI        | 1.88  | 1.87  | 1.87  | 1.88  | 1.87  | 1.87  | 1.87  | 1.87  | 1.87  | 1.87  | 1.87  | 1.87  | 1.87  | 1.87  | 1.87  | 1.87  |
|                  | 59                | TC        | 30280 | 30330 | 30330 | 30330 | 32092 | 32799 | 32799 | 32799 | 32958 | 32958 | 32958 | 32958 | 35388 | 35388 | 35388 | 35388 |
|                  |                   | S/T       | 0.68  | 0.73  | 0.79  | 0.85  | 0.57  | 0.62  | 0.68  | 0.74  | 0.52  | 0.57  | 0.63  | 0.68  | 0.40  | 0.45  | 0.50  | 0.55  |
|                  |                   | PI        | 1.92  | 1.92  | 1.92  | 1.92  | 1.91  | 1.91  | 1.91  | 1.91  | 1.91  | 1.91  | 1.91  | 1.91  | 1.91  | 1.91  | 1.91  | 1.91  |
|                  | 68                | TC        | 29939 | 29988 | 29988 | 29988 | 31752 | 31752 | 31752 | 31752 | 32634 | 32634 | 32634 | 32634 | 35084 | 35084 | 35084 | 35084 |
|                  |                   | S/T       | 0.68  | 0.73  | 0.79  | 0.85  | 0.57  | 0.63  | 0.68  | 0.74  | 0.52  | 0.57  | 0.63  | 0.68  | 0.40  | 0.45  | 0.50  | 0.55  |
|                  |                   | PI        | 1.99  | 1.99  | 1.99  | 1.99  | 1.98  | 1.98  | 1.98  | 1.98  | 1.98  | 1.98  | 1.98  | 1.98  | 1.97  | 1.97  | 1.97  | 1.97  |
|                  | 77                | TC        | 28518 | 28518 | 28518 | 28518 | 30380 | 30380 | 30380 | 30380 | 31262 | 31262 | 31262 | 31262 | 33614 | 33614 | 33614 | 33614 |
|                  |                   | S/T       | 0.68  | 0.74  | 0.80  | 0.86  | 0.57  | 0.63  | 0.68  | 0.74  | 0.52  | 0.57  | 0.63  | 0.68  | 0.40  | 0.45  | 0.50  | 0.55  |
|                  |                   | PI        | 2.19  | 2.19  | 2.19  | 2.19  | 2.19  | 2.19  | 2.19  | 2.19  | 2.19  | 2.19  | 2.19  | 2.19  | 2.19  | 2.19  | 2.19  | 2.19  |
|                  | 86                | TC        | 27244 | 27244 | 27244 | 27244 | 28910 | 28910 | 28910 | 28910 | 29792 | 29792 | 29792 | 29792 | 32144 | 32144 | 32144 | 32144 |
|                  |                   | S/T       | 0.68  | 0.75  | 0.81  | 0.88  | 0.57  | 0.63  | 0.69  | 0.75  | 0.51  | 0.57  | 0.63  | 0.69  | 0.39  | 0.44  | 0.50  | 0.55  |
|                  |                   | PI        | 2.40  | 2.40  | 2.40  | 2.40  | 2.41  | 2.41  | 2.41  | 2.41  | 2.41  | 2.41  | 2.41  | 2.41  | 2.42  | 2.42  | 2.42  | 2.42  |
|                  | 95                | TC        | 25872 | 25872 | 25872 | 26166 | 27538 | 27538 | 27538 | 27538 | 28420 | 28420 | 28812 | 28420 | 30576 | 30576 | 30576 | 30576 |
|                  |                   | S/T       | 0.69  | 0.76  | 0.82  | 0.89  | 0.57  | 0.63  | 0.70  | 0.76  | 0.51  | 0.57  | 0.64  | 0.70  | 0.38  | 0.44  | 0.50  | 0.56  |
|                  |                   | PI        | 2.62  | 2.62  | 2.62  | 2.62  | 2.63  | 2.63  | 2.63  | 2.63  | 2.64  | 2.64  | 2.64  | 2.64  | 2.65  | 2.65  | 2.65  | 2.65  |
|                  | 104               | TC        | 24279 | 24279 | 24279 | 24527 | 25895 | 25895 | 25895 | 25895 | 26685 | 26685 | 26898 | 26685 | 28790 | 28790 | 28790 | 28790 |
|                  |                   | S/T       | 0.70  | 0.77  | 0.85  | 0.92  | 0.57  | 0.64  | 0.71  | 0.78  | 0.51  | 0.58  | 0.65  | 0.72  | 0.38  | 0.44  | 0.50  | 0.56  |
|                  |                   | PI        | 2.89  | 2.89  | 2.89  | 2.89  | 2.90  | 2.90  | 2.90  | 2.90  | 2.91  | 2.91  | 2.91  | 2.91  | 2.93  | 2.93  | 2.93  | 2.93  |
| 115              | TC                | 22467     | 22467 | 22467 | 22663 | 24030 | 24030 | 24030 | 24030 | 24714 | 24714 | 24714 | 24714 | 26765 | 26765 | 26765 | 26765 |       |
|                  | S/T               | 0.70      | 0.78  | 0.86  | 0.93  | 0.57  | 0.65  | 0.72  | 0.79  | 0.51  | 0.58  | 0.65  | 0.73  | 0.37  | 0.44  | 0.50  | 0.57  |       |
|                  | PI                | 3.21      | 3.21  | 3.21  | 3.21  | 3.23  | 3.23  | 3.23  | 3.23  | 3.23  | 3.23  | 3.23  | 3.23  | 3.26  | 3.26  | 3.26  | 3.26  |       |
| 122              | TC                | 21100     | 21100 | 21100 | 21295 | 22565 | 22565 | 22565 | 22565 | 23249 | 23249 | 23249 | 23249 | 25202 | 25202 | 25202 | 25202 |       |
|                  | S/T               | 0.71      | 0.80  | 0.88  | 0.96  | 0.58  | 0.65  | 0.73  | 0.81  | 0.51  | 0.59  | 0.66  | 0.74  | 0.37  | 0.44  | 0.51  | 0.58  |       |
|                  | PI                | 3.48      | 3.48  | 3.48  | 3.48  | 3.50  | 3.50  | 3.50  | 3.50  | 3.51  | 3.51  | 3.51  | 3.51  | 3.53  | 3.53  | 3.53  | 3.53  |       |

Manufacturer reserves the right to change, at any time, specifications and designs without notice and without obligations.

COOLING PERFORMANCE - 30K (Sheet 2 of 4)

| AIRFLOW<br>(CFM) | OUTDOOR<br>(DB F) | ID (WB F) | 60.8  |       |       |       | 64.4  |       |       |       | 66.2  |       |       |       | 71.6  |       |       |       |
|------------------|-------------------|-----------|-------|-------|-------|-------|-------|-------|-------|-------|-------|-------|-------|-------|-------|-------|-------|-------|
|                  |                   | ID (DB F) | 73.4  | 77.0  | 80.6  | 84.2  | 73.4  | 77.0  | 80.6  | 84.2  | 73.4  | 77.0  | 80.6  | 84.2  | 73.4  | 77.0  | 80.6  | 84.2  |
| 806              | -22               | TC        | 32614 | 32614 | 32927 | 33241 | 34164 | 34164 | 34164 | 34164 | 34885 | 34885 | 34885 | 34885 | 36951 | 36951 | 36951 | 36951 |
|                  |                   | S/T       | 0.68  | 0.76  | 0.97  | 1.00  | 0.55  | 0.63  | 0.70  | 0.78  | 0.48  | 0.56  | 0.64  | 0.71  | 0.34  | 0.42  | 0.48  | 0.55  |
|                  |                   | PI        | 2.30  | 2.30  | 2.30  | 2.30  | 2.31  | 2.31  | 2.31  | 2.31  | 2.31  | 2.31  | 2.31  | 2.31  | 2.33  | 2.33  | 2.33  | 2.33  |
|                  | -10               | TC        | 32373 | 32373 | 32684 | 32995 | 33970 | 33970 | 33970 | 33970 | 34711 | 34711 | 34711 | 34711 | 36839 | 36839 | 36839 | 36839 |
|                  |                   | S/T       | 0.69  | 0.77  | 0.97  | 1.00  | 0.56  | 0.63  | 0.71  | 0.79  | 0.49  | 0.56  | 0.64  | 0.72  | 0.34  | 0.42  | 0.49  | 0.56  |
|                  |                   | PI        | 2.09  | 2.08  | 2.08  | 2.09  | 2.09  | 2.09  | 2.09  | 2.09  | 2.09  | 2.09  | 2.09  | 2.09  | 2.10  | 2.10  | 2.10  | 2.10  |
|                  | 0                 | TC        | 32172 | 32172 | 32481 | 32791 | 33808 | 33808 | 33808 | 33808 | 34566 | 34566 | 34566 | 34566 | 36746 | 36746 | 36746 | 36746 |
|                  |                   | S/T       | 0.69  | 0.77  | 0.98  | 1.00  | 0.56  | 0.64  | 0.71  | 0.79  | 0.49  | 0.57  | 0.65  | 0.72  | 0.35  | 0.42  | 0.49  | 0.56  |
|                  |                   | PI        | 2.00  | 2.00  | 2.00  | 2.00  | 2.00  | 2.00  | 2.00  | 2.00  | 1.99  | 1.99  | 1.99  | 1.99  | 2.01  | 2.01  | 2.01  | 2.01  |
|                  | 5                 | TC        | 32078 | 32078 | 32386 | 32695 | 33746 | 33746 | 33746 | 33746 | 34514 | 34514 | 34514 | 34514 | 36721 | 36721 | 36721 | 36721 |
|                  |                   | S/T       | 0.70  | 0.77  | 0.98  | 1.00  | 0.56  | 0.64  | 0.71  | 0.79  | 0.49  | 0.57  | 0.65  | 0.72  | 0.35  | 0.42  | 0.49  | 0.56  |
|                  |                   | PI        | 1.88  | 1.88  | 1.88  | 1.88  | 1.87  | 1.87  | 1.87  | 1.87  | 1.86  | 1.86  | 1.86  | 1.86  | 1.87  | 1.87  | 1.87  | 1.87  |
|                  | 14                | TC        | 31888 | 31888 | 32194 | 32501 | 33557 | 33557 | 33557 | 33557 | 34341 | 34341 | 34341 | 34341 | 36597 | 36597 | 36597 | 36597 |
|                  |                   | S/T       | 0.70  | 0.78  | 0.99  | 1.00  | 0.56  | 0.64  | 0.72  | 0.80  | 0.49  | 0.57  | 0.65  | 0.73  | 0.35  | 0.43  | 0.49  | 0.56  |
|                  |                   | PI        | 1.87  | 1.87  | 1.87  | 1.87  | 1.86  | 1.86  | 1.86  | 1.86  | 1.86  | 1.86  | 1.86  | 1.86  | 1.87  | 1.87  | 1.87  | 1.87  |
|                  | 23                | TC        | 31698 | 31698 | 32002 | 32307 | 33431 | 33431 | 33431 | 33431 | 34215 | 34215 | 34215 | 34215 | 36504 | 36504 | 36504 | 36504 |
|                  |                   | S/T       | 0.70  | 0.78  | 0.99  | 1.00  | 0.57  | 0.64  | 0.72  | 0.80  | 0.50  | 0.58  | 0.65  | 0.73  | 0.35  | 0.43  | 0.50  | 0.57  |
|                  |                   | PI        | 1.86  | 1.86  | 1.86  | 1.86  | 1.86  | 1.86  | 1.86  | 1.86  | 1.86  | 1.86  | 1.86  | 1.86  | 1.87  | 1.87  | 1.87  | 1.87  |
|                  | 32                | TC        | 31539 | 31539 | 31842 | 32146 | 33304 | 33304 | 33304 | 33304 | 34120 | 34120 | 34120 | 34120 | 36473 | 36473 | 36473 | 36473 |
|                  |                   | S/T       | 0.71  | 0.78  | 1.00  | 1.00  | 0.57  | 0.65  | 0.73  | 0.80  | 0.50  | 0.58  | 0.66  | 0.74  | 0.35  | 0.43  | 0.50  | 0.57  |
|                  |                   | PI        | 1.87  | 1.87  | 1.87  | 1.87  | 1.87  | 1.87  | 1.87  | 1.87  | 1.87  | 1.87  | 1.87  | 1.87  | 1.88  | 1.88  | 1.88  | 1.88  |
|                  | 41                | TC        | 31381 | 31381 | 31682 | 31984 | 33178 | 33178 | 33178 | 33178 | 34010 | 34010 | 34010 | 34010 | 36442 | 36442 | 36442 | 36442 |
|                  |                   | S/T       | 0.71  | 0.79  | 1.00  | 1.00  | 0.57  | 0.65  | 0.73  | 0.81  | 0.50  | 0.58  | 0.66  | 0.74  | 0.35  | 0.43  | 0.50  | 0.57  |
|                  |                   | PI        | 1.89  | 1.89  | 1.89  | 1.89  | 1.89  | 1.89  | 1.89  | 1.89  | 1.88  | 1.88  | 1.88  | 1.88  | 1.89  | 1.89  | 1.89  | 1.89  |
|                  | 50                | TC        | 31190 | 31190 | 31490 | 31790 | 33020 | 33020 | 33020 | 33020 | 33868 | 33868 | 33868 | 33868 | 36348 | 36348 | 36348 | 36348 |
|                  |                   | S/T       | 0.71  | 0.79  | 1.00  | 1.00  | 0.57  | 0.65  | 0.73  | 0.81  | 0.50  | 0.58  | 0.66  | 0.74  | 0.36  | 0.44  | 0.50  | 0.57  |
|                  |                   | PI        | 1.92  | 1.92  | 1.92  | 1.92  | 1.91  | 1.91  | 1.91  | 1.91  | 1.91  | 1.91  | 1.91  | 1.91  | 1.92  | 1.92  | 1.92  | 1.92  |
|                  | 59                | TC        | 30937 | 30937 | 31234 | 31532 | 32799 | 32799 | 32799 | 32799 | 33664 | 33664 | 33664 | 33664 | 36193 | 36193 | 36193 | 36193 |
|                  |                   | S/T       | 0.72  | 0.80  | 0.88  | 0.96  | 0.58  | 0.66  | 0.74  | 0.82  | 0.51  | 0.59  | 0.67  | 0.75  | 0.36  | 0.44  | 0.51  | 0.58  |
|                  |                   | PI        | 1.97  | 1.97  | 1.97  | 1.97  | 1.96  | 1.96  | 1.96  | 1.96  | 1.95  | 1.95  | 1.95  | 1.95  | 1.96  | 1.96  | 1.96  | 1.96  |
|                  | 68                | TC        | 30588 | 30588 | 30882 | 31176 | 32451 | 32451 | 32451 | 32451 | 33333 | 33333 | 33333 | 33333 | 35882 | 35882 | 35882 | 35882 |
|                  |                   | S/T       | 0.72  | 0.80  | 0.88  | 0.96  | 0.58  | 0.66  | 0.74  | 0.82  | 0.51  | 0.59  | 0.67  | 0.75  | 0.36  | 0.44  | 0.51  | 0.58  |
|                  |                   | PI        | 2.04  | 2.04  | 2.04  | 2.04  | 2.03  | 2.03  | 2.03  | 2.03  | 2.02  | 2.02  | 2.02  | 2.02  | 2.02  | 2.02  | 2.02  | 2.02  |
|                  | 77                | TC        | 29118 | 29118 | 29412 | 29706 | 30980 | 30980 | 30980 | 30980 | 31863 | 31863 | 31863 | 31863 | 34314 | 34314 | 34314 | 34314 |
|                  |                   | S/T       | 0.73  | 0.81  | 0.90  | 0.98  | 0.58  | 0.66  | 0.75  | 0.83  | 0.51  | 0.60  | 0.68  | 0.76  | 0.36  | 0.44  | 0.51  | 0.59  |
|                  |                   | PI        | 2.24  | 2.24  | 2.24  | 2.24  | 2.24  | 2.24  | 2.24  | 2.24  | 2.24  | 2.24  | 2.24  | 2.24  | 2.24  | 2.24  | 2.24  | 2.24  |
| 86               | TC                | 27745     | 27745 | 28039 | 28333 | 29510 | 29510 | 29510 | 29510 | 30392 | 30392 | 30392 | 30392 | 32843 | 32843 | 32843 | 32843 |       |
|                  | S/T               | 0.73      | 0.83  | 0.92  | 1.00  | 0.59  | 0.67  | 0.76  | 0.85  | 0.52  | 0.60  | 0.69  | 0.77  | 0.36  | 0.44  | 0.51  | 0.59  |       |
|                  | PI                | 2.46      | 2.46  | 2.46  | 2.46  | 2.46  | 2.46  | 2.46  | 2.46  | 2.46  | 2.46  | 2.46  | 2.46  | 2.47  | 2.47  | 2.47  | 2.47  |       |
| 95               | TC                | 26373     | 26373 | 26667 | 26961 | 28137 | 28137 | 28137 | 28137 | 28922 | 28922 | 29412 | 28922 | 31275 | 31275 | 31275 | 31275 |       |
|                  | S/T               | 0.75      | 0.84  | 0.94  | 1.00  | 0.59  | 0.68  | 0.77  | 0.87  | 0.52  | 0.61  | 0.69  | 0.79  | 0.35  | 0.44  | 0.52  | 0.60  |       |
|                  | PI                | 2.68      | 2.68  | 2.68  | 2.68  | 2.69  | 2.69  | 2.69  | 2.69  | 2.70  | 2.70  | 2.70  | 2.70  | 2.70  | 2.70  | 2.70  | 2.70  |       |
| 104              | TC                | 24595     | 24683 | 24930 | 25177 | 26253 | 26253 | 26253 | 26385 | 27029 | 27029 | 27293 | 27029 | 29225 | 29225 | 29225 | 29225 |       |
|                  | S/T               | 0.77      | 0.88  | 0.98  | 1.00  | 0.60  | 0.70  | 0.80  | 0.90  | 0.52  | 0.62  | 0.72  | 0.82  | 0.35  | 0.44  | 0.53  | 0.62  |       |
|                  | PI                | 2.96      | 2.96  | 2.96  | 2.96  | 2.97  | 2.97  | 2.97  | 2.97  | 2.98  | 2.98  | 2.98  | 2.98  | 3.00  | 3.00  | 3.00  | 3.00  |       |
| 115              | TC                | 22796     | 22990 | 23184 | 23378 | 24348 | 24348 | 24348 | 24639 | 25124 | 25124 | 25124 | 25124 | 27161 | 27161 | 27161 | 27161 |       |
|                  | S/T               | 0.78      | 0.89  | 1.00  | 1.00  | 0.61  | 0.71  | 0.82  | 0.92  | 0.53  | 0.63  | 0.73  | 0.83  | 0.35  | 0.44  | 0.53  | 0.63  |       |
|                  | PI                | 3.29      | 3.29  | 3.29  | 3.29  | 3.31  | 3.31  | 3.31  | 3.31  | 3.32  | 3.32  | 3.32  | 3.32  | 3.35  | 3.35  | 3.35  | 3.35  |       |
| 122              | TC                | 21341     | 21535 | 21729 | 21923 | 22796 | 22796 | 22796 | 22990 | 23572 | 23572 | 23572 | 23572 | 25609 | 25609 | 25609 | 25609 |       |
|                  | S/T               | 0.80      | 0.92  | 1.00  | 1.00  | 0.62  | 0.73  | 0.84  | 0.95  | 0.53  | 0.64  | 0.75  | 0.86  | 0.34  | 0.44  | 0.54  | 0.91  |       |
|                  | PI                | 3.57      | 3.57  | 3.57  | 3.57  | 3.59  | 3.59  | 3.59  | 3.59  | 3.60  | 3.60  | 3.60  | 3.60  | 3.63  | 3.63  | 3.63  | 3.63  |       |

COOLING PERFORMANCE - 30K (Sheet 3 of 4)

| AIRFLOW<br>(CFM) | OUTDOOR<br>(DB F) | ID (WB F)<br>ID (DB F) | 60.8  |       |       |       | 64.4  |       |       |       | 66.2  |       |       |       | 71.6  |       |       |       |
|------------------|-------------------|------------------------|-------|-------|-------|-------|-------|-------|-------|-------|-------|-------|-------|-------|-------|-------|-------|-------|
|                  |                   |                        | 73.4  | 77.0  | 80.6  | 84.2  | 73.4  | 77.0  | 80.6  | 84.2  | 73.4  | 77.0  | 80.6  | 84.2  | 73.4  | 77.0  | 80.6  | 84.2  |
| 895              | -22               | TC                     | 33241 | 33554 | 33868 | 34182 | 34783 | 34783 | 34783 | 35093 | 35603 | 35603 | 35603 | 35603 | 37658 | 37658 | 37658 | 37658 |
|                  |                   | S/T                    | 0.74  | 0.85  | 1.00  | 1.00  | 0.58  | 0.68  | 0.78  | 0.96  | 0.50  | 0.60  | 0.69  | 0.79  | 0.32  | 0.42  | 0.50  | 0.60  |
|                  |                   | PI                     | 2.30  | 2.30  | 2.30  | 2.30  | 2.31  | 2.31  | 2.31  | 2.31  | 2.31  | 2.31  | 2.31  | 2.31  | 2.33  | 2.33  | 2.33  | 2.33  |
|                  | -10               | TC                     | 32995 | 33307 | 33618 | 33929 | 34586 | 34586 | 34586 | 34893 | 35426 | 35426 | 35426 | 35426 | 37544 | 37544 | 37544 | 37544 |
|                  |                   | S/T                    | 0.75  | 0.85  | 1.00  | 1.00  | 0.58  | 0.68  | 0.79  | 0.97  | 0.51  | 0.60  | 0.70  | 0.79  | 0.33  | 0.42  | 0.51  | 0.60  |
|                  |                   | PI                     | 2.09  | 2.08  | 2.08  | 2.09  | 2.09  | 2.09  | 2.09  | 2.09  | 2.09  | 2.09  | 2.09  | 2.09  | 2.10  | 2.10  | 2.10  | 2.10  |
|                  | 0                 | TC                     | 32791 | 33100 | 33409 | 33719 | 34421 | 34421 | 34421 | 34728 | 35277 | 35277 | 35277 | 35277 | 37449 | 37449 | 37449 | 37449 |
|                  |                   | S/T                    | 0.75  | 0.86  | 1.00  | 1.00  | 0.59  | 0.68  | 0.79  | 0.97  | 0.51  | 0.61  | 0.70  | 0.80  | 0.33  | 0.42  | 0.51  | 0.61  |
|                  |                   | PI                     | 2.04  | 2.04  | 2.04  | 2.04  | 2.03  | 2.03  | 2.03  | 2.03  | 2.04  | 2.04  | 2.04  | 2.04  | 2.05  | 2.05  | 2.05  | 2.05  |
|                  | 5                 | TC                     | 32695 | 33003 | 33312 | 33620 | 34358 | 34358 | 34358 | 34664 | 35224 | 35224 | 35224 | 35224 | 37423 | 37423 | 37423 | 37423 |
|                  |                   | S/T                    | 0.75  | 0.86  | 1.00  | 1.00  | 0.59  | 0.69  | 0.79  | 0.98  | 0.51  | 0.61  | 0.70  | 0.80  | 0.33  | 0.42  | 0.51  | 0.61  |
|                  |                   | PI                     | 1.91  | 1.91  | 1.91  | 1.91  | 1.91  | 1.91  | 1.91  | 1.91  | 1.91  | 1.91  | 1.91  | 1.91  | 1.90  | 1.90  | 1.90  | 1.90  |
|                  | 14                | TC                     | 32501 | 32808 | 33114 | 33421 | 34165 | 34165 | 34165 | 34469 | 35048 | 35048 | 35048 | 35048 | 37297 | 37297 | 37297 | 37297 |
|                  |                   | S/T                    | 0.76  | 0.86  | 1.00  | 1.00  | 0.59  | 0.69  | 0.80  | 0.98  | 0.51  | 0.61  | 0.71  | 0.81  | 0.33  | 0.43  | 0.51  | 0.61  |
|                  |                   | PI                     | 1.90  | 1.90  | 1.90  | 1.90  | 1.90  | 1.90  | 1.90  | 1.90  | 1.90  | 1.90  | 1.90  | 1.90  | 1.91  | 1.91  | 1.91  | 1.91  |
|                  | 23                | TC                     | 32307 | 32612 | 32917 | 33222 | 34037 | 34037 | 34037 | 34340 | 34919 | 34919 | 34919 | 34919 | 37202 | 37202 | 37202 | 37202 |
|                  |                   | S/T                    | 0.76  | 0.87  | 1.00  | 1.00  | 0.59  | 0.69  | 0.80  | 0.99  | 0.52  | 0.61  | 0.71  | 0.81  | 0.33  | 0.43  | 0.52  | 0.61  |
|                  |                   | PI                     | 1.90  | 1.90  | 1.90  | 1.90  | 1.90  | 1.90  | 1.90  | 1.90  | 1.90  | 1.90  | 1.90  | 1.90  | 1.91  | 1.91  | 1.91  | 1.91  |
|                  | 32                | TC                     | 32146 | 32449 | 32752 | 33055 | 33908 | 33908 | 33908 | 34210 | 34823 | 34823 | 34823 | 34823 | 37170 | 37170 | 37170 | 37170 |
|                  |                   | S/T                    | 0.76  | 0.87  | 1.00  | 1.00  | 0.60  | 0.70  | 0.80  | 0.99  | 0.52  | 0.62  | 0.72  | 0.81  | 0.33  | 0.43  | 0.52  | 0.62  |
|                  |                   | PI                     | 1.91  | 1.91  | 1.91  | 1.91  | 1.91  | 1.91  | 1.91  | 1.91  | 1.91  | 1.91  | 1.91  | 1.91  | 1.91  | 1.91  | 1.91  | 1.91  |
|                  | 41                | TC                     | 31984 | 32286 | 32588 | 32889 | 33779 | 33779 | 33779 | 34080 | 34710 | 34710 | 34710 | 34710 | 37139 | 37139 | 37139 | 37139 |
|                  |                   | S/T                    | 0.77  | 0.88  | 1.00  | 1.00  | 0.60  | 0.70  | 0.81  | 1.00  | 0.52  | 0.62  | 0.72  | 0.82  | 0.33  | 0.43  | 0.52  | 0.62  |
|                  |                   | PI                     | 1.92  | 1.92  | 1.92  | 1.92  | 1.92  | 1.92  | 1.92  | 1.92  | 1.93  | 1.93  | 1.93  | 1.93  | 1.93  | 1.93  | 1.93  | 1.93  |
|                  | 50                | TC                     | 31790 | 32090 | 32390 | 32690 | 33618 | 33618 | 33618 | 33918 | 34566 | 34566 | 34566 | 34566 | 37044 | 37044 | 37044 | 37044 |
|                  |                   | S/T                    | 0.77  | 0.88  | 1.00  | 1.00  | 0.60  | 0.70  | 0.81  | 1.00  | 0.52  | 0.62  | 0.72  | 0.82  | 0.34  | 0.44  | 0.52  | 0.62  |
|                  |                   | PI                     | 1.96  | 1.96  | 1.96  | 1.96  | 1.95  | 1.95  | 1.95  | 1.95  | 1.95  | 1.95  | 1.95  | 1.95  | 1.95  | 1.95  | 1.95  | 1.95  |
|                  | 59                | TC                     | 31532 | 31829 | 32127 | 32424 | 33393 | 33393 | 33393 | 33690 | 34357 | 34357 | 34357 | 34357 | 36885 | 36885 | 36885 | 36885 |
|                  |                   | S/T                    | 0.78  | 0.89  | 0.99  | 1.00  | 0.61  | 0.71  | 0.82  | 0.92  | 0.53  | 0.63  | 0.73  | 0.83  | 0.34  | 0.44  | 0.53  | 0.63  |
|                  |                   | PI                     | 2.00  | 2.00  | 2.00  | 2.00  | 2.00  | 2.00  | 2.00  | 2.00  | 2.00  | 2.00  | 2.00  | 2.00  | 2.00  | 2.00  | 2.00  | 2.00  |
|                  | 68                | TC                     | 31176 | 31471 | 31765 | 32059 | 33039 | 33039 | 33039 | 33333 | 34020 | 34020 | 34020 | 34020 | 36569 | 36569 | 36569 | 36569 |
|                  |                   | S/T                    | 0.78  | 0.89  | 0.99  | 1.00  | 0.61  | 0.71  | 0.82  | 0.92  | 0.53  | 0.63  | 0.73  | 0.83  | 0.34  | 0.44  | 0.53  | 0.63  |
|                  |                   | PI                     | 2.07  | 2.07  | 2.07  | 2.07  | 2.07  | 2.07  | 2.07  | 2.07  | 2.07  | 2.07  | 2.07  | 2.07  | 2.06  | 2.06  | 2.06  | 2.06  |
|                  | 77                | TC                     | 29706 | 30000 | 30294 | 30588 | 31569 | 31569 | 31569 | 31863 | 32549 | 32549 | 32549 | 32549 | 35000 | 35000 | 35000 | 35000 |
|                  |                   | S/T                    | 0.79  | 0.91  | 1.00  | 1.00  | 0.61  | 0.72  | 0.83  | 0.94  | 0.53  | 0.64  | 0.75  | 0.85  | 0.34  | 0.44  | 0.54  | 0.64  |
|                  |                   | PI                     | 2.29  | 2.29  | 2.29  | 2.29  | 2.29  | 2.29  | 2.29  | 2.29  | 2.29  | 2.29  | 2.29  | 2.29  | 2.29  | 2.29  | 2.29  | 2.29  |
|                  | 86                | TC                     | 28333 | 28627 | 28922 | 29216 | 30098 | 30098 | 30098 | 30392 | 31078 | 31078 | 31078 | 31078 | 33431 | 33431 | 33431 | 33431 |
|                  |                   | S/T                    | 0.81  | 0.92  | 1.00  | 1.00  | 0.62  | 0.74  | 0.85  | 0.96  | 0.54  | 0.65  | 0.76  | 0.87  | 0.34  | 0.44  | 0.55  | 0.65  |
|                  |                   | PI                     | 2.51  | 2.51  | 2.51  | 2.51  | 2.52  | 2.52  | 2.52  | 2.52  | 2.52  | 2.52  | 2.52  | 2.52  | 2.53  | 2.53  | 2.53  | 2.53  |
|                  | 95                | TC                     | 26961 | 27255 | 27549 | 27843 | 28627 | 28627 | 28627 | 28922 | 29510 | 29510 | 30000 | 30294 | 31863 | 31863 | 31863 | 31863 |
|                  |                   | S/T                    | 0.82  | 0.95  | 1.00  | 1.00  | 0.63  | 0.75  | 0.87  | 0.99  | 0.54  | 0.66  | 0.77  | 0.88  | 0.34  | 0.44  | 0.55  | 0.66  |
|                  |                   | PI                     | 2.74  | 2.74  | 2.74  | 2.74  | 2.75  | 2.75  | 2.75  | 2.75  | 2.76  | 2.76  | 2.76  | 2.76  | 2.77  | 2.77  | 2.77  | 2.77  |
| 104              | TC                | 25089                  | 25336 | 25583 | 25829 | 26738 | 26738 | 26870 | 27161 | 27567 | 27567 | 27831 | 28122 | 29807 | 29807 | 29807 | 29807 |       |
|                  | S/T               | 0.86                   | 0.99  | 1.00  | 1.00  | 0.65  | 0.78  | 0.91  | 1.00  | 0.55  | 0.68  | 0.81  | 0.93  | 0.33  | 0.45  | 0.57  | 0.90  |       |
|                  | PI                | 3.03                   | 3.03  | 3.03  | 3.03  | 3.04  | 3.04  | 3.04  | 3.04  | 3.05  | 3.05  | 3.05  | 3.05  | 3.07  | 3.07  | 3.07  | 3.07  |       |
| 115              | TC                | 23184                  | 23378 | 23572 | 23766 | 24833 | 24833 | 25124 | 25415 | 25609 | 25609 | 25609 | 25900 | 27743 | 27743 | 27743 | 27743 |       |
|                  | S/T               | 0.87                   | 1.00  | 1.00  | 1.00  | 0.66  | 0.79  | 0.93  | 1.00  | 0.56  | 0.69  | 0.83  | 0.95  | 0.33  | 0.45  | 0.58  | 0.92  |       |
|                  | PI                | 3.37                   | 3.37  | 3.37  | 3.37  | 3.38  | 3.38  | 3.38  | 3.38  | 3.39  | 3.39  | 3.39  | 3.39  | 3.42  | 3.42  | 3.42  | 3.42  |       |
| 122              | TC                | 21826                  | 22020 | 22214 | 22408 | 23281 | 23281 | 23475 | 23669 | 24057 | 24057 | 24057 | 24251 | 26094 | 26094 | 26094 | 26094 |       |
|                  | S/T               | 0.90                   | 1.00  | 1.00  | 1.00  | 0.67  | 0.82  | 0.96  | 1.00  | 0.56  | 0.71  | 0.85  | 0.99  | 0.32  | 0.46  | 0.59  | 0.97  |       |
|                  | PI                | 3.64                   | 3.64  | 3.64  | 3.64  | 3.66  | 3.66  | 3.66  | 3.66  | 3.67  | 3.67  | 3.67  | 3.67  | 3.70  | 3.70  | 3.70  | 3.70  |       |

Manufacturer reserves the right to change, at any time, specifications and designs without notice and without obligations.

COOLING PERFORMANCE - 30K (Sheet 4 of 4)

| AIRFLOW (CFM) | OUTDOOR (DB F) | ID (WB F) | 60.8  |       |       |       | 64.4  |       |       |       | 66.2  |       |       |       | 71.6  |       |       |       |
|---------------|----------------|-----------|-------|-------|-------|-------|-------|-------|-------|-------|-------|-------|-------|-------|-------|-------|-------|-------|
|               |                | ID (DB F) | 73.4  | 77.0  | 80.6  | 84.2  | 73.4  | 77.0  | 80.6  | 84.2  | 73.4  | 77.0  | 80.6  | 84.2  | 73.4  | 77.0  | 80.6  | 84.2  |
| 988           | -22            | TC        | 33880 | 34522 | 34836 | 35149 | 35413 | 35413 | 35413 | 36047 | 36336 | 36336 | 36336 | 36336 | 38378 | 38378 | 38378 | 38378 |
|               |                | S/T       | 0.80  | 0.94  | 1.00  | 1.00  | 0.61  | 0.73  | 0.86  | 1.00  | 0.52  | 0.64  | 0.76  | 0.87  | 0.31  | 0.42  | 0.52  | 0.65  |
|               |                | PI        | 1.95  | 1.95  | 1.95  | 1.95  | 1.94  | 1.94  | 1.94  | 1.94  | 1.95  | 1.95  | 1.95  | 1.95  | 1.93  | 1.93  | 1.93  | 1.93  |
|               | -10            | TC        | 33630 | 34267 | 34578 | 34889 | 35212 | 35212 | 35212 | 35842 | 36155 | 36155 | 36155 | 36155 | 38262 | 38262 | 38262 | 38262 |
|               |                | S/T       | 0.81  | 0.95  | 1.00  | 1.00  | 0.61  | 0.73  | 0.87  | 1.00  | 0.53  | 0.64  | 0.76  | 0.88  | 0.31  | 0.42  | 0.53  | 0.66  |
|               |                | PI        | 1.95  | 1.95  | 1.95  | 1.95  | 1.94  | 1.94  | 1.94  | 1.94  | 1.95  | 1.95  | 1.95  | 1.95  | 1.93  | 1.93  | 1.93  | 1.93  |
|               | 0              | TC        | 33421 | 34055 | 34364 | 34673 | 35045 | 35045 | 35045 | 35672 | 36004 | 36004 | 36004 | 36004 | 38165 | 38165 | 38165 | 38165 |
|               |                | S/T       | 0.81  | 0.95  | 1.00  | 1.00  | 0.62  | 0.74  | 0.87  | 1.00  | 0.53  | 0.65  | 0.77  | 0.88  | 0.31  | 0.42  | 0.53  | 0.66  |
|               |                | PI        | 1.95  | 1.95  | 1.95  | 1.95  | 1.94  | 1.94  | 1.94  | 1.94  | 1.95  | 1.95  | 1.95  | 1.95  | 1.94  | 1.94  | 1.94  | 1.94  |
|               | 5              | TC        | 33324 | 33955 | 34264 | 34572 | 34981 | 34981 | 34981 | 35607 | 35949 | 35949 | 35949 | 35949 | 38139 | 38139 | 38139 | 38139 |
|               |                | S/T       | 0.82  | 0.96  | 1.00  | 1.00  | 0.62  | 0.74  | 0.88  | 1.00  | 0.53  | 0.65  | 0.77  | 0.89  | 0.31  | 0.42  | 0.53  | 0.66  |
|               |                | PI        | 1.95  | 1.95  | 1.95  | 1.95  | 1.94  | 1.94  | 1.94  | 1.94  | 1.95  | 1.95  | 1.95  | 1.95  | 1.94  | 1.94  | 1.94  | 1.94  |
|               | 14             | TC        | 33126 | 33754 | 34060 | 34367 | 34784 | 34784 | 34784 | 35407 | 35769 | 35769 | 35769 | 35769 | 38010 | 38010 | 38010 | 38010 |
|               |                | S/T       | 0.82  | 0.96  | 1.00  | 1.00  | 0.62  | 0.74  | 0.88  | 1.00  | 0.53  | 0.65  | 0.77  | 0.89  | 0.31  | 0.43  | 0.53  | 0.66  |
|               |                | PI        | 1.94  | 1.94  | 1.94  | 1.94  | 1.94  | 1.94  | 1.94  | 1.94  | 1.95  | 1.95  | 1.95  | 1.95  | 1.94  | 1.94  | 1.94  | 1.94  |
|               | 23             | TC        | 32929 | 33553 | 33857 | 34162 | 34653 | 34653 | 34653 | 35273 | 35638 | 35638 | 35638 | 35638 | 37913 | 37913 | 37913 | 37913 |
|               |                | S/T       | 0.82  | 0.97  | 1.00  | 1.00  | 0.63  | 0.74  | 0.89  | 1.00  | 0.54  | 0.66  | 0.78  | 0.90  | 0.31  | 0.43  | 0.54  | 0.67  |
|               |                | PI        | 1.94  | 1.94  | 1.94  | 1.94  | 1.93  | 1.93  | 1.93  | 1.93  | 1.95  | 1.95  | 1.95  | 1.95  | 1.94  | 1.94  | 1.94  | 1.94  |
|               | 32             | TC        | 32764 | 33385 | 33688 | 33991 | 34522 | 34522 | 34522 | 35140 | 35540 | 35540 | 35540 | 35540 | 37881 | 37881 | 37881 | 37881 |
|               |                | S/T       | 0.83  | 0.97  | 1.00  | 1.00  | 0.63  | 0.75  | 0.89  | 1.00  | 0.54  | 0.66  | 0.78  | 0.90  | 0.31  | 0.43  | 0.54  | 0.67  |
|               |                | PI        | 1.94  | 1.94  | 1.94  | 1.94  | 1.94  | 1.94  | 1.94  | 1.94  | 1.96  | 1.96  | 1.96  | 1.96  | 1.95  | 1.95  | 1.95  | 1.95  |
|               | 41             | TC        | 32599 | 33217 | 33519 | 33820 | 34391 | 34391 | 34391 | 35006 | 35425 | 35425 | 35425 | 35425 | 37849 | 37849 | 37849 | 37849 |
|               |                | S/T       | 0.83  | 0.98  | 0.99  | 0.99  | 0.63  | 0.75  | 0.90  | 1.00  | 0.54  | 0.66  | 0.78  | 0.90  | 0.32  | 0.43  | 0.54  | 0.67  |
|               |                | PI        | 1.96  | 1.96  | 1.96  | 1.96  | 1.96  | 1.96  | 1.96  | 1.96  | 1.97  | 1.97  | 1.97  | 1.97  | 1.97  | 1.97  | 1.97  | 1.97  |
|               | 50             | TC        | 32402 | 33016 | 33316 | 33615 | 34228 | 34228 | 34228 | 34840 | 35277 | 35277 | 35277 | 35277 | 37752 | 37752 | 37752 | 37752 |
|               |                | S/T       | 0.84  | 0.98  | 1.00  | 1.00  | 0.64  | 0.76  | 0.90  | 1.00  | 0.55  | 0.67  | 0.79  | 0.91  | 0.32  | 0.44  | 0.55  | 0.68  |
|               |                | PI        | 2.00  | 2.00  | 2.00  | 2.00  | 1.99  | 1.99  | 1.99  | 1.99  | 2.00  | 2.00  | 2.00  | 2.00  | 1.99  | 1.99  | 1.99  | 1.99  |
|               | 59             | TC        | 32138 | 32747 | 33045 | 33342 | 33998 | 33998 | 33998 | 34606 | 35064 | 35064 | 35064 | 35064 | 37591 | 37591 | 37591 | 37591 |
|               |                | S/T       | 0.84  | 0.99  | 1.00  | 1.00  | 0.64  | 0.76  | 0.90  | 1.00  | 0.55  | 0.67  | 0.79  | 0.91  | 0.32  | 0.44  | 0.55  | 0.68  |
|               |                | PI        | 2.04  | 2.04  | 2.04  | 2.04  | 2.04  | 2.04  | 2.04  | 2.04  | 2.05  | 2.05  | 2.05  | 2.05  | 2.03  | 2.03  | 2.03  | 2.03  |
|               | 68             | TC        | 31776 | 32378 | 32672 | 32966 | 33638 | 33638 | 33638 | 34240 | 34720 | 34720 | 34720 | 34720 | 37268 | 37268 | 37268 | 37268 |
|               |                | S/T       | 0.85  | 0.99  | 1.00  | 1.00  | 0.64  | 0.76  | 0.91  | 1.00  | 0.55  | 0.67  | 0.80  | 0.92  | 0.32  | 0.44  | 0.55  | 0.68  |
|               |                | PI        | 2.11  | 2.11  | 2.11  | 2.11  | 2.11  | 2.11  | 2.11  | 2.11  | 2.12  | 2.12  | 2.12  | 2.12  | 2.10  | 2.10  | 2.10  | 2.10  |
|               | 77             | TC        | 30306 | 30909 | 31203 | 31497 | 32168 | 32168 | 32168 | 32770 | 33250 | 33250 | 33250 | 33250 | 35700 | 35700 | 35700 | 35700 |
|               |                | S/T       | 0.85  | 1.00  | 1.00  | 1.00  | 0.64  | 0.79  | 0.92  | 1.00  | 0.55  | 0.68  | 0.83  | 0.95  | 0.32  | 0.44  | 0.57  | 0.69  |
|               |                | PI        | 2.34  | 2.34  | 2.34  | 2.34  | 2.34  | 2.34  | 2.34  | 2.34  | 2.34  | 2.34  | 2.34  | 2.34  | 2.34  | 2.34  | 2.34  | 2.34  |
|               | 86             | TC        | 28934 | 29538 | 29832 | 30126 | 30698 | 30698 | 30698 | 31301 | 31780 | 31780 | 31780 | 31780 | 34030 | 34030 | 34030 | 34030 |
|               |                | S/T       | 0.90  | 1.00  | 1.00  | 1.00  | 0.65  | 0.82  | 0.95  | 1.00  | 0.56  | 0.70  | 0.84  | 0.98  | 0.32  | 0.44  | 0.59  | 0.72  |
|               |                | PI        | 2.56  | 2.56  | 2.56  | 2.56  | 2.58  | 2.58  | 2.58  | 2.58  | 2.58  | 2.58  | 2.58  | 2.58  | 2.59  | 2.59  | 2.59  | 2.59  |
|               | 95             | TC        | 27562 | 28167 | 28461 | 28754 | 29126 | 29126 | 29126 | 29728 | 30110 | 30110 | 30600 | 31732 | 32462 | 32462 | 32462 | 32462 |
|               |                | S/T       | 0.90  | 1.00  | 1.00  | 1.00  | 0.67  | 0.83  | 0.98  | 1.00  | 0.56  | 0.71  | 0.86  | 0.98  | 0.33  | 0.44  | 0.58  | 0.73  |
|               |                | PI        | 2.80  | 2.80  | 2.80  | 2.80  | 2.81  | 2.81  | 2.81  | 2.81  | 2.82  | 2.82  | 2.82  | 2.82  | 2.84  | 2.84  | 2.84  | 2.84  |
|               | 104            | TC        | 25592 | 26005 | 26252 | 26499 | 27232 | 27232 | 27502 | 27960 | 28115 | 28115 | 28380 | 29260 | 30400 | 30400 | 30400 | 30400 |
|               |                | S/T       | 0.96  | 1.00  | 1.00  | 1.00  | 0.70  | 0.87  | 1.00  | 1.00  | 0.58  | 0.75  | 0.91  | 1.00  | 0.31  | 0.46  | 0.61  | 1.00  |
|               |                | PI        | 3.10  | 3.10  | 3.10  | 3.10  | 3.10  | 3.10  | 3.10  | 3.10  | 3.11  | 3.11  | 3.11  | 3.11  | 3.14  | 3.14  | 3.14  | 3.14  |
|               | 115            | TC        | 23579 | 23772 | 23966 | 24160 | 25328 | 25328 | 25925 | 26215 | 26103 | 26103 | 26103 | 26700 | 28338 | 28338 | 28338 | 28338 |
|               |                | S/T       | 0.97  | 1.00  | 1.00  | 1.00  | 0.71  | 0.88  | 1.00  | 1.00  | 0.59  | 0.76  | 0.94  | 1.00  | 0.31  | 0.46  | 0.63  | 1.00  |
|               |                | PI        | 3.45  | 3.45  | 3.45  | 3.45  | 3.45  | 3.45  | 3.45  | 3.45  | 3.46  | 3.46  | 3.46  | 3.46  | 3.49  | 3.49  | 3.49  | 3.49  |
| 122           | TC             | 22322     | 22516 | 22710 | 22904 | 23776 | 23776 | 24174 | 24368 | 24552 | 24552 | 24552 | 24950 | 26588 | 26588 | 26588 | 26588 |       |
|               | S/T            | 1.00      | 1.00  | 1.00  | 1.00  | 0.72  | 0.92  | 1.00  | 1.00  | 0.59  | 0.79  | 0.96  | 1.00  | 0.30  | 0.48  | 0.64  | 1.00  |       |
|               | PI             | 3.72      | 3.72  | 3.72  | 3.72  | 3.74  | 3.74  | 3.74  | 3.74  | 3.75  | 3.75  | 3.75  | 3.75  | 3.78  | 3.78  | 3.78  | 3.78  |       |

LEGEND

TC - Total Cooling Capacity (BTU/hr)  
S/T - Sensible Cooling Capacity Ratio  
PI - Power Input (kW)

Gray shaded area is Extrapolated Data

Manufacturer reserves the right to change, at any time, specifications and designs without notice and without obligations.

HEATING PERFORMANCE AT INDOOR DRY BULB TEMPERATURE- 30K (Sheet 1 of 2)

| AIRFLOW (CFM) | OUTDOOR (DB F) | TC: TOTAL CAPACITY IN BTU/HR |       |       |       | PI: TOTAL POWER IN KILOWATTS |      |      |      |
|---------------|----------------|------------------------------|-------|-------|-------|------------------------------|------|------|------|
|               |                | Indoor Conditions (DB F)     |       |       |       | Indoor Conditions (DB F)     |      |      |      |
|               |                | 60.8                         | 68.0  | 71.6  | 75.2  | 60.8                         | 68.0 | 71.6 | 75.2 |
| 712           | -22.0          | 13555                        | 13368 | 13305 | 13243 | 1.70                         | 1.75 | 1.76 | 1.78 |
|               | -10.0          | 15596                        | 15381 | 15309 | 15237 | 1.99                         | 2.05 | 2.07 | 2.09 |
|               | 0.0            | 17298                        | 17059 | 16979 | 16899 | 2.24                         | 2.30 | 2.32 | 2.34 |
|               | 5.0            | 18208                        | 17956 | 17872 | 17788 | 2.37                         | 2.44 | 2.46 | 2.48 |
|               | 14.0           | 19442                        | 19173 | 19084 | 18994 | 2.53                         | 2.60 | 2.62 | 2.65 |
|               | 17.0           | 20368                        | 20086 | 19993 | 19899 | 2.69                         | 2.76 | 2.78 | 2.81 |
|               | 22.0           | 21472                        | 21175 | 21076 | 20977 | 2.67                         | 2.73 | 2.77 | 2.80 |
|               | 27.0           | 22560                        | 22263 | 22164 | 21966 | 2.66                         | 2.72 | 2.76 | 2.79 |
|               | 32.0           | 23352                        | 23055 | 22956 | 22758 | 2.66                         | 2.71 | 2.75 | 2.78 |
|               | 37.0           | 25034                        | 24737 | 24539 | 24440 | 2.67                         | 2.73 | 2.77 | 2.80 |
|               | 42.0           | 27705                        | 27310 | 27112 | 26914 | 2.69                         | 2.75 | 2.79 | 2.82 |
|               | 44.6           | 30545                        | 30109 | 29217 | 29019 | 2.70                         | 2.79 | 2.80 | 2.84 |
|               | 52.0           | 32288                        | 31891 | 31693 | 31495 | 2.71                         | 2.78 | 2.81 | 2.85 |
|               | 57.0           | 34070                        | 33575 | 33377 | 33080 | 2.71                         | 2.78 | 2.82 | 2.85 |
|               | 62.0           | 35754                        | 35259 | 34962 | 34764 | 2.72                         | 2.79 | 2.82 | 2.86 |
| 64.4          | 36546          | 36051                        | 35754 | 35556 | 2.72  | 2.79                         | 2.82 | 2.86 |      |
| 806           | -22.0          | 13742                        | 13618 | 13494 | 13431 | 1.71                         | 1.77 | 1.78 | 1.80 |
|               | -10.0          | 15812                        | 15669 | 15526 | 15454 | 2.01                         | 2.07 | 2.08 | 2.11 |
|               | 0.0            | 17537                        | 17378 | 17219 | 17140 | 2.25                         | 2.32 | 2.33 | 2.37 |
|               | 5.0            | 18459                        | 18292 | 18125 | 18042 | 2.39                         | 2.46 | 2.47 | 2.51 |
|               | 14.0           | 19711                        | 19532 | 19354 | 19265 | 2.55                         | 2.62 | 2.64 | 2.68 |
|               | 17.0           | 20649                        | 20463 | 20276 | 20182 | 2.71                         | 2.79 | 2.80 | 2.84 |
|               | 22.0           | 21868                        | 21670 | 21472 | 21373 | 2.70                         | 2.76 | 2.79 | 2.83 |
|               | 27.0           | 23055                        | 22758 | 22560 | 22461 | 2.69                         | 2.75 | 2.78 | 2.82 |
|               | 32.0           | 23846                        | 23550 | 23352 | 23154 | 2.68                         | 2.74 | 2.77 | 2.81 |
|               | 37.0           | 25529                        | 25232 | 25034 | 24836 | 2.70                         | 2.76 | 2.79 | 2.83 |
|               | 42.0           | 28200                        | 27804 | 27705 | 27508 | 2.71                         | 2.78 | 2.82 | 2.85 |
|               | 44.6           | 31140                        | 30703 | 29812 | 29613 | 2.73                         | 2.82 | 2.83 | 2.87 |
|               | 52.0           | 32981                        | 32486 | 32288 | 32089 | 2.74                         | 2.81 | 2.84 | 2.88 |
|               | 57.0           | 34665                        | 34268 | 33971 | 33773 | 2.74                         | 2.81 | 2.85 | 2.88 |
|               | 62.0           | 36447                        | 35952 | 35655 | 35457 | 2.75                         | 2.82 | 2.85 | 2.89 |
| 64.4          | 37240          | 36744                        | 36546 | 36249 | 2.75  | 2.82                         | 2.86 | 2.89 |      |

HEATING PERFORMANCE AT INDOOR DRY BULB TEMPERATURE- 30K (Sheet 2 of 2)

| AIRFLOW (CFM) | OUTDOOR (DB F) | TC: TOTAL CAPACITY IN BTU/HR |       |       |       | PI: TOTAL POWER IN KILOWATTS |      |      |      |
|---------------|----------------|------------------------------|-------|-------|-------|------------------------------|------|------|------|
|               |                | Indoor Conditions (DB F)     |       |       |       | Indoor Conditions (DB F)     |      |      |      |
|               |                | 60.8                         | 68.0  | 71.6  | 75.2  | 60.8                         | 68.0 | 71.6 | 75.2 |
| 895           | -22.0          | 13949                        | 13763 | 13638 | 13576 | 1.73                         | 1.78 | 1.80 | 1.81 |
|               | -10.0          | 16050                        | 15835 | 15692 | 15621 | 2.02                         | 2.09 | 2.10 | 2.12 |
|               | 0.0            | 17801                        | 17563 | 17404 | 17324 | 2.27                         | 2.34 | 2.36 | 2.38 |
|               | 5.0            | 18738                        | 18487 | 18319 | 18236 | 2.40                         | 2.48 | 2.50 | 2.53 |
|               | 14.0           | 20008                        | 19740 | 19561 | 19472 | 2.56                         | 2.65 | 2.67 | 2.70 |
|               | 17.0           | 20961                        | 20680 | 20493 | 20399 | 2.72                         | 2.81 | 2.83 | 2.86 |
|               | 22.0           | 22164                        | 21868 | 21670 | 21571 | 2.71                         | 2.78 | 2.82 | 2.85 |
|               | 27.0           | 23253                        | 22956 | 22758 | 22659 | 2.71                         | 2.78 | 2.81 | 2.85 |
|               | 32.0           | 24044                        | 23748 | 23550 | 23451 | 2.71                         | 2.77 | 2.80 | 2.84 |
|               | 37.0           | 25825                        | 25430 | 25331 | 25133 | 2.72                         | 2.79 | 2.82 | 2.86 |
|               | 42.0           | 28497                        | 28101 | 27903 | 27705 | 2.74                         | 2.81 | 2.84 | 2.88 |
|               | 44.6           | 31437                        | 31000 | 30109 | 29911 | 2.76                         | 2.85 | 2.86 | 2.90 |
|               | 52.0           | 33278                        | 32882 | 32585 | 32387 | 2.77                         | 2.84 | 2.87 | 2.91 |
|               | 57.0           | 35061                        | 34565 | 34367 | 34070 | 2.77                         | 2.84 | 2.88 | 2.92 |
|               | 62.0           | 36744                        | 36249 | 36051 | 35754 | 2.78                         | 2.85 | 2.89 | 2.92 |
| 64.4          | 37636          | 37141                        | 36843 | 36645 | 2.78  | 2.85                         | 2.89 | 2.93 |      |
| 988           | -22.0          | 14160                        | 13909 | 13784 | 13722 | 1.74                         | 1.80 | 1.81 | 1.83 |
|               | -10.0          | 16292                        | 16004 | 15860 | 15789 | 2.04                         | 2.11 | 2.13 | 2.14 |
|               | 0.0            | 18070                        | 17750 | 17590 | 17511 | 2.29                         | 2.36 | 2.38 | 2.40 |
|               | 5.0            | 19020                        | 18683 | 18516 | 18432 | 2.42                         | 2.51 | 2.53 | 2.54 |
|               | 14.0           | 20310                        | 19950 | 19771 | 19682 | 2.58                         | 2.67 | 2.70 | 2.71 |
|               | 17.0           | 21277                        | 20900 | 20713 | 20619 | 2.74                         | 2.84 | 2.86 | 2.88 |
|               | 22.0           | 22465                        | 22067 | 21869 | 21770 | 2.73                         | 2.80 | 2.85 | 2.87 |
|               | 27.0           | 23452                        | 23156 | 22958 | 22859 | 2.74                         | 2.81 | 2.84 | 2.88 |
|               | 32.0           | 24244                        | 23947 | 23749 | 23751 | 2.74                         | 2.80 | 2.83 | 2.87 |
|               | 37.0           | 26126                        | 25629 | 25631 | 25433 | 2.75                         | 2.82 | 2.85 | 2.89 |
|               | 42.0           | 28797                        | 28401 | 28103 | 27905 | 2.77                         | 2.84 | 2.86 | 2.91 |
|               | 44.6           | 31736                        | 31300 | 30409 | 30211 | 2.79                         | 2.88 | 2.89 | 2.93 |
|               | 52.0           | 33578                        | 33283 | 32885 | 32686 | 2.80                         | 2.87 | 2.90 | 2.94 |
|               | 57.0           | 35461                        | 34865 | 34768 | 34370 | 2.80                         | 2.87 | 2.91 | 2.96 |
|               | 62.0           | 37044                        | 36549 | 36452 | 36054 | 2.81                         | 2.88 | 2.93 | 2.95 |
| 64.4          | 38036          | 37541                        | 37143 | 37046 | 2.81  | 2.88                         | 2.92 | 2.97 |      |

Gray shaded area is Extrapolated Data

COOLING PERFORMANCE - 30K HH (Sheet 1 of 4)

| AIRFLOW (CFM) | OUTDOOR (DB F) | ID (WB F)<br>ID (DB F) | 60.8  |       |       |       | 64.4  |       |       |       | 66.2  |       |       |       | 71.6  |       |       |       |
|---------------|----------------|------------------------|-------|-------|-------|-------|-------|-------|-------|-------|-------|-------|-------|-------|-------|-------|-------|-------|
|               |                |                        | 73.4  | 77.0  | 80.6  | 84.2  | 73.4  | 77.0  | 80.6  | 84.2  | 73.4  | 77.0  | 80.6  | 84.2  | 73.4  | 77.0  | 80.6  | 84.2  |
| 712           | -22            | TC                     | 31921 | 31974 | 32287 | 32601 | 33428 | 34164 | 34164 | 34473 | 34153 | 34153 | 34153 | 34153 | 36129 | 36129 | 36129 | 36129 |
|               |                | S/T                    | 0.69  | 0.78  | 0.87  | 0.95  | 0.56  | 0.64  | 0.72  | 0.81  | 0.49  | 0.57  | 0.66  | 0.73  | 0.34  | 0.42  | 0.48  | 0.56  |
|               |                | PI                     | 2.29  | 2.29  | 2.29  | 2.29  | 2.30  | 2.30  | 2.30  | 2.30  | 2.31  | 2.31  | 2.31  | 2.31  | 2.32  | 2.32  | 2.32  | 2.32  |
|               | -10            | TC                     | 31686 | 31738 | 32049 | 32360 | 33238 | 33970 | 33970 | 34278 | 33983 | 33983 | 33983 | 33983 | 36020 | 36020 | 36020 | 36020 |
|               |                | S/T                    | 0.70  | 0.79  | 0.87  | 0.96  | 0.56  | 0.64  | 0.73  | 0.81  | 0.50  | 0.57  | 0.66  | 0.74  | 0.34  | 0.42  | 0.49  | 0.56  |
|               |                | PI                     | 2.07  | 2.07  | 2.07  | 2.07  | 2.08  | 2.08  | 2.08  | 2.08  | 2.08  | 2.08  | 2.08  | 2.08  | 2.09  | 2.09  | 2.09  | 2.09  |
|               | 0              | TC                     | 31489 | 31541 | 31850 | 32159 | 33080 | 33808 | 33808 | 34115 | 33841 | 33841 | 33841 | 33841 | 35928 | 35928 | 35928 | 35928 |
|               |                | S/T                    | 0.70  | 0.79  | 0.88  | 0.96  | 0.57  | 0.65  | 0.73  | 0.82  | 0.50  | 0.58  | 0.66  | 0.74  | 0.35  | 0.42  | 0.49  | 0.57  |
|               |                | PI                     | 1.94  | 1.94  | 1.94  | 1.94  | 1.93  | 1.93  | 1.93  | 1.93  | 1.94  | 1.94  | 1.94  | 1.94  | 1.95  | 1.95  | 1.95  | 1.95  |
|               | 5              | TC                     | 31397 | 31449 | 31757 | 32065 | 33020 | 33746 | 33746 | 34052 | 33790 | 33790 | 33790 | 33790 | 35904 | 35904 | 35904 | 35904 |
|               |                | S/T                    | 0.70  | 0.79  | 0.88  | 0.97  | 0.57  | 0.65  | 0.73  | 0.82  | 0.50  | 0.58  | 0.67  | 0.74  | 0.35  | 0.42  | 0.49  | 0.57  |
|               |                | PI                     | 1.82  | 1.82  | 1.82  | 1.82  | 1.81  | 1.81  | 1.81  | 1.81  | 1.81  | 1.81  | 1.81  | 1.81  | 1.81  | 1.81  | 1.81  | 1.81  |
|               | 14             | TC                     | 31211 | 31262 | 31569 | 31875 | 32834 | 33557 | 33557 | 33861 | 33620 | 33620 | 33620 | 33620 | 35783 | 35783 | 35783 | 35783 |
|               |                | S/T                    | 0.71  | 0.80  | 0.88  | 0.97  | 0.57  | 0.65  | 0.74  | 0.82  | 0.50  | 0.58  | 0.67  | 0.75  | 0.35  | 0.43  | 0.49  | 0.57  |
|               |                | PI                     | 1.81  | 1.81  | 1.81  | 1.81  | 1.81  | 1.81  | 1.81  | 1.81  | 1.81  | 1.81  | 1.81  | 1.81  | 1.81  | 1.81  | 1.81  | 1.81  |
|               | 23             | TC                     | 31025 | 31076 | 31380 | 31685 | 32710 | 33431 | 33431 | 33734 | 33497 | 33497 | 33497 | 33497 | 35692 | 35692 | 35692 | 35692 |
|               |                | S/T                    | 0.71  | 0.80  | 0.89  | 0.98  | 0.58  | 0.66  | 0.74  | 0.83  | 0.51  | 0.59  | 0.67  | 0.75  | 0.35  | 0.43  | 0.50  | 0.58  |
|               |                | PI                     | 1.81  | 1.81  | 1.81  | 1.81  | 1.80  | 1.80  | 1.80  | 1.80  | 1.81  | 1.81  | 1.81  | 1.81  | 1.81  | 1.81  | 1.81  | 1.81  |
|               | 32             | TC                     | 30870 | 30920 | 31223 | 31527 | 32587 | 33304 | 33304 | 33606 | 33404 | 33404 | 33404 | 33404 | 35661 | 35661 | 35661 | 35661 |
|               |                | S/T                    | 0.72  | 0.80  | 0.89  | 0.98  | 0.58  | 0.66  | 0.74  | 0.83  | 0.51  | 0.59  | 0.68  | 0.75  | 0.35  | 0.43  | 0.50  | 0.58  |
|               |                | PI                     | 1.81  | 1.81  | 1.81  | 1.81  | 1.81  | 1.81  | 1.81  | 1.81  | 1.82  | 1.82  | 1.82  | 1.82  | 1.82  | 1.82  | 1.82  | 1.82  |
|               | 41             | TC                     | 30715 | 30765 | 31067 | 31368 | 32463 | 33178 | 33178 | 33478 | 33297 | 33297 | 33297 | 33297 | 35631 | 35631 | 35631 | 35631 |
|               |                | S/T                    | 0.72  | 0.81  | 0.90  | 0.99  | 0.58  | 0.66  | 0.75  | 0.84  | 0.51  | 0.59  | 0.68  | 0.76  | 0.35  | 0.43  | 0.50  | 0.58  |
|               |                | PI                     | 1.83  | 1.83  | 1.83  | 1.83  | 1.83  | 1.83  | 1.83  | 1.83  | 1.83  | 1.83  | 1.83  | 1.83  | 1.83  | 1.83  | 1.83  | 1.83  |
|               | 50             | TC                     | 30528 | 30578 | 30878 | 31178 | 32309 | 33020 | 33020 | 33319 | 33158 | 33158 | 33158 | 33158 | 35540 | 35540 | 35540 | 35540 |
|               |                | S/T                    | 0.72  | 0.81  | 0.90  | 0.99  | 0.58  | 0.67  | 0.75  | 0.84  | 0.51  | 0.59  | 0.68  | 0.76  | 0.36  | 0.44  | 0.50  | 0.58  |
|               |                | PI                     | 1.86  | 1.86  | 1.86  | 1.86  | 1.85  | 1.85  | 1.85  | 1.85  | 1.86  | 1.86  | 1.86  | 1.86  | 1.86  | 1.86  | 1.86  | 1.86  |
|               | 59             | TC                     | 30280 | 30330 | 30627 | 30925 | 32092 | 32799 | 32799 | 33096 | 32958 | 32958 | 32958 | 32958 | 35388 | 35388 | 35388 | 35388 |
|               |                | S/T                    | 0.73  | 0.82  | 0.91  | 1.00  | 0.59  | 0.67  | 0.76  | 0.85  | 0.52  | 0.60  | 0.69  | 0.77  | 0.36  | 0.44  | 0.51  | 0.59  |
|               |                | PI                     | 1.91  | 1.91  | 1.91  | 1.91  | 1.90  | 1.90  | 1.90  | 1.90  | 1.90  | 1.90  | 1.90  | 1.90  | 1.90  | 1.90  | 1.90  | 1.90  |
|               | 68             | TC                     | 29939 | 29988 | 30282 | 30576 | 31752 | 31752 | 31752 | 31752 | 32634 | 32634 | 32634 | 32634 | 35084 | 35084 | 35084 | 35084 |
|               |                | S/T                    | 0.73  | 0.82  | 0.91  | 1.00  | 0.59  | 0.67  | 0.76  | 0.85  | 0.52  | 0.60  | 0.69  | 0.77  | 0.36  | 0.44  | 0.51  | 0.59  |
|               |                | PI                     | 1.97  | 1.97  | 1.97  | 1.97  | 1.96  | 1.96  | 1.96  | 1.96  | 1.96  | 1.96  | 1.96  | 1.96  | 1.95  | 1.95  | 1.95  | 1.95  |
|               | 77             | TC                     | 28518 | 28518 | 28812 | 29106 | 30380 | 30380 | 30380 | 30380 | 31262 | 31262 | 31262 | 31262 | 33614 | 33614 | 33614 | 33614 |
|               |                | S/T                    | 0.74  | 0.84  | 0.93  | 1.00  | 0.59  | 0.68  | 0.77  | 0.86  | 0.52  | 0.61  | 0.70  | 0.78  | 0.35  | 0.44  | 0.52  | 0.60  |
|               |                | PI                     | 2.17  | 2.17  | 2.17  | 2.17  | 2.17  | 2.17  | 2.17  | 2.17  | 2.17  | 2.17  | 2.17  | 2.17  | 2.17  | 2.17  | 2.17  | 2.17  |
|               | 86             | TC                     | 27244 | 27244 | 27538 | 27832 | 28910 | 28910 | 28910 | 28910 | 29792 | 29792 | 29792 | 29792 | 32144 | 32144 | 32144 | 32144 |
|               |                | S/T                    | 0.75  | 0.86  | 0.95  | 1.00  | 0.60  | 0.69  | 0.79  | 0.88  | 0.52  | 0.61  | 0.71  | 0.80  | 0.35  | 0.44  | 0.52  | 0.61  |
|               |                | PI                     | 2.38  | 2.38  | 2.38  | 2.38  | 2.39  | 2.39  | 2.39  | 2.39  | 2.39  | 2.39  | 2.39  | 2.39  | 2.40  | 2.40  | 2.40  | 2.40  |
|               | 95             | TC                     | 25872 | 25872 | 26166 | 26460 | 27538 | 27538 | 27538 | 27832 | 28420 | 28420 | 28812 | 28420 | 30576 | 30576 | 30576 | 30576 |
|               |                | S/T                    | 0.77  | 0.87  | 0.98  | 1.00  | 0.60  | 0.70  | 0.80  | 0.90  | 0.52  | 0.62  | 0.72  | 0.82  | 0.35  | 0.44  | 0.53  | 0.62  |
|               |                | PI                     | 2.60  | 2.60  | 2.60  | 2.60  | 2.61  | 2.61  | 2.61  | 2.61  | 2.62  | 2.62  | 2.62  | 2.62  | 2.63  | 2.63  | 2.63  | 2.63  |
|               | 104            | TC                     | 24001 | 24089 | 24334 | 24580 | 25598 | 25598 | 25598 | 25844 | 26380 | 26380 | 26590 | 26380 | 28460 | 28460 | 28460 | 28460 |
|               |                | S/T                    | 0.79  | 0.91  | 1.00  | 1.00  | 0.61  | 0.72  | 0.83  | 0.94  | 0.53  | 0.64  | 0.75  | 0.85  | 0.34  | 0.44  | 0.54  | 0.64  |
|               |                | PI                     | 2.87  | 2.87  | 2.87  | 2.87  | 2.88  | 2.88  | 2.88  | 2.88  | 2.89  | 2.89  | 2.89  | 2.89  | 2.91  | 2.91  | 2.91  | 2.91  |
|               | 115            | TC                     | 22210 | 22403 | 22596 | 22789 | 23755 | 23755 | 23755 | 23948 | 24431 | 24431 | 24431 | 24431 | 26459 | 26459 | 26459 | 26459 |
|               |                | S/T                    | 0.81  | 0.93  | 1.00  | 1.00  | 0.62  | 0.74  | 0.85  | 0.96  | 0.54  | 0.65  | 0.76  | 0.87  | 0.34  | 0.44  | 0.55  | 0.65  |
|               |                | PI                     | 3.19  | 3.19  | 3.19  | 3.19  | 3.21  | 3.21  | 3.21  | 3.21  | 3.22  | 3.22  | 3.22  | 3.22  | 3.24  | 3.24  | 3.24  | 3.24  |
|               | 122            | TC                     | 20858 | 21051 | 21244 | 21437 | 22306 | 22306 | 22306 | 22500 | 22982 | 22982 | 22982 | 23176 | 24914 | 24914 | 24914 | 24914 |
| S/T           |                | 0.83                   | 0.95  | 1.00  | 1.00  | 0.63  | 0.75  | 0.88  | 0.99  | 0.54  | 0.66  | 0.78  | 0.89  | 0.34  | 0.45  | 0.55  | 0.66  |       |
| PI            |                | 3.46                   | 3.46  | 3.46  | 3.46  | 3.48  | 3.48  | 3.48  | 3.48  | 3.49  | 3.49  | 3.49  | 3.49  | 3.52  | 3.52  | 3.52  | 3.52  |       |

Manufacturer reserves the right to change, at any time, specifications and designs without notice and without obligations.



COOLING PERFORMANCE - 30K HH (Sheet 2 of 4)

| AIRFLOW (CFM) | OUTDOOR (DB F) | ID (WB F)<br>ID (DB F) | 60.8       |            |       |       | 64.4  |       |       |       | 66.2  |       |       |       | 71.6  |       |       |       |
|---------------|----------------|------------------------|------------|------------|-------|-------|-------|-------|-------|-------|-------|-------|-------|-------|-------|-------|-------|-------|
|               |                |                        | 73.4       | 77.0       | 80.6  | 84.2  | 73.4  | 77.0  | 80.6  | 84.2  | 73.4  | 77.0  | 80.6  | 84.2  | 73.4  | 77.0  | 80.6  | 84.2  |
|               |                |                        | <b>806</b> | <b>-22</b> | TC    | 32614 | 32614 | 32927 | 33241 | 34164 | 34164 | 34164 | 34473 | 34885 | 34885 | 34885 | 34885 | 36951 |
| S/T           | 0.72           | 0.82                   |            |            | 0.97  | 1.00  | 0.57  | 0.66  | 0.75  | 0.84  | 0.49  | 0.59  | 0.68  | 0.76  | 0.33  | 0.42  | 0.49  | 0.58  |
| PI            | 2.29           | 2.29                   |            |            | 2.29  | 2.29  | 2.30  | 2.30  | 2.30  | 2.30  | 2.31  | 2.31  | 2.31  | 2.31  | 2.32  | 2.32  | 2.32  | 2.32  |
| <b>-10</b>    | TC             | 32373                  |            | 32373      | 32684 | 32995 | 33970 | 33970 | 33970 | 34278 | 34711 | 34711 | 34711 | 34711 | 36839 | 36839 | 36839 | 36839 |
|               | S/T            | 0.73                   |            | 0.82       | 0.97  | 1.00  | 0.57  | 0.66  | 0.76  | 0.84  | 0.50  | 0.59  | 0.68  | 0.77  | 0.34  | 0.42  | 0.50  | 0.58  |
|               | PI             | 2.07                   |            | 2.07       | 2.07  | 2.07  | 2.08  | 2.08  | 2.08  | 2.08  | 2.08  | 2.08  | 2.08  | 2.08  | 2.09  | 2.09  | 2.09  | 2.09  |
| <b>0</b>      | TC             | 32172                  |            | 32172      | 32481 | 32791 | 33808 | 33808 | 33808 | 34115 | 34566 | 34566 | 34566 | 34566 | 36746 | 36746 | 36746 | 36746 |
|               | S/T            | 0.73                   |            | 0.83       | 0.98  | 1.00  | 0.58  | 0.66  | 0.76  | 0.85  | 0.50  | 0.60  | 0.68  | 0.77  | 0.34  | 0.42  | 0.50  | 0.59  |
|               | PI             | 1.97                   |            | 1.97       | 1.97  | 1.97  | 1.98  | 1.98  | 1.98  | 1.98  | 1.97  | 1.97  | 1.97  | 1.97  | 1.98  | 1.98  | 1.98  | 1.98  |
| <b>5</b>      | TC             | 32078                  |            | 32078      | 32386 | 32695 | 33746 | 33746 | 33746 | 34052 | 34514 | 34514 | 34514 | 34514 | 36721 | 36721 | 36721 | 36721 |
|               | S/T            | 0.73                   |            | 0.83       | 0.98  | 1.00  | 0.58  | 0.67  | 0.76  | 0.85  | 0.50  | 0.60  | 0.69  | 0.77  | 0.34  | 0.42  | 0.50  | 0.59  |
|               | PI             | 1.86                   |            | 1.86       | 1.86  | 1.86  | 1.85  | 1.85  | 1.85  | 1.85  | 1.84  | 1.84  | 1.84  | 1.84  | 1.85  | 1.85  | 1.85  | 1.85  |
| <b>14</b>     | TC             | 31888                  |            | 31888      | 32194 | 32501 | 33557 | 33557 | 33557 | 33861 | 34341 | 34341 | 34341 | 34341 | 36597 | 36597 | 36597 | 36597 |
|               | S/T            | 0.74                   |            | 0.83       | 0.99  | 1.00  | 0.58  | 0.67  | 0.77  | 0.85  | 0.50  | 0.60  | 0.69  | 0.78  | 0.34  | 0.43  | 0.50  | 0.59  |
|               | PI             | 1.85                   |            | 1.85       | 1.85  | 1.85  | 1.84  | 1.84  | 1.84  | 1.84  | 1.84  | 1.84  | 1.84  | 1.84  | 1.85  | 1.85  | 1.85  | 1.85  |
| <b>23</b>     | TC             | 31698                  |            | 31698      | 32002 | 32307 | 33431 | 33431 | 33431 | 33734 | 34215 | 34215 | 34215 | 34215 | 36504 | 36504 | 36504 | 36504 |
|               | S/T            | 0.74                   |            | 0.84       | 0.99  | 1.00  | 0.59  | 0.67  | 0.77  | 0.86  | 0.51  | 0.60  | 0.69  | 0.78  | 0.34  | 0.43  | 0.51  | 0.59  |
|               | PI             | 1.84                   |            | 1.84       | 1.84  | 1.84  | 1.84  | 1.84  | 1.84  | 1.84  | 1.84  | 1.84  | 1.84  | 1.84  | 1.85  | 1.85  | 1.85  | 1.85  |
| <b>32</b>     | TC             | 31539                  |            | 31539      | 31842 | 32146 | 33304 | 33304 | 33304 | 33606 | 34120 | 34120 | 34120 | 34120 | 36473 | 36473 | 36473 | 36473 |
|               | S/T            | 0.74                   |            | 0.84       | 1.00  | 1.00  | 0.59  | 0.68  | 0.77  | 0.86  | 0.51  | 0.61  | 0.70  | 0.78  | 0.34  | 0.43  | 0.51  | 0.60  |
|               | PI             | 1.85                   |            | 1.85       | 1.85  | 1.85  | 1.85  | 1.85  | 1.85  | 1.85  | 1.84  | 1.84  | 1.84  | 1.84  | 1.86  | 1.86  | 1.86  | 1.86  |
| <b>41</b>     | TC             | 31381                  |            | 31381      | 31682 | 31984 | 33178 | 33178 | 33178 | 33478 | 34010 | 34010 | 34010 | 34010 | 36442 | 36442 | 36442 | 36442 |
|               | S/T            | 0.75                   |            | 0.85       | 1.00  | 1.00  | 0.59  | 0.68  | 0.78  | 0.87  | 0.51  | 0.61  | 0.70  | 0.79  | 0.34  | 0.43  | 0.51  | 0.60  |
|               | PI             | 1.87                   |            | 1.87       | 1.87  | 1.87  | 1.86  | 1.86  | 1.86  | 1.86  | 1.86  | 1.86  | 1.86  | 1.86  | 1.87  | 1.87  | 1.87  | 1.87  |
| <b>50</b>     | TC             | 31190                  |            | 31190      | 31490 | 31790 | 33020 | 33020 | 33020 | 33319 | 33868 | 33868 | 33868 | 33868 | 36348 | 36348 | 36348 | 36348 |
|               | S/T            | 0.75                   |            | 0.85       | 1.00  | 1.00  | 0.59  | 0.68  | 0.78  | 0.87  | 0.51  | 0.61  | 0.70  | 0.79  | 0.35  | 0.44  | 0.51  | 0.60  |
|               | PI             | 1.90                   |            | 1.90       | 1.90  | 1.90  | 1.89  | 1.89  | 1.89  | 1.89  | 1.89  | 1.89  | 1.89  | 1.89  | 1.90  | 1.90  | 1.90  | 1.90  |
| <b>59</b>     | TC             | 30937                  | 30937      | 31234      | 31532 | 32799 | 32799 | 32799 | 33096 | 33664 | 33664 | 33664 | 33664 | 36193 | 36193 | 36193 | 36193 |       |
|               | S/T            | 0.76                   | 0.86       | 0.96       | 1.00  | 0.60  | 0.69  | 0.79  | 0.88  | 0.52  | 0.62  | 0.71  | 0.80  | 0.35  | 0.44  | 0.52  | 0.61  |       |
|               | PI             | 1.95                   | 1.95       | 1.95       | 1.95  | 1.94  | 1.94  | 1.94  | 1.94  | 1.93  | 1.93  | 1.93  | 1.93  | 1.94  | 1.94  | 1.94  | 1.94  |       |
| <b>68</b>     | TC             | 30588                  | 30588      | 30882      | 31176 | 32451 | 32451 | 32451 | 32745 | 33333 | 33333 | 33333 | 33333 | 35882 | 35882 | 35882 | 35882 |       |
|               | S/T            | 0.76                   | 0.86       | 0.96       | 1.00  | 0.60  | 0.69  | 0.79  | 0.88  | 0.52  | 0.62  | 0.71  | 0.80  | 0.35  | 0.44  | 0.52  | 0.61  |       |
|               | PI             | 2.01                   | 2.01       | 2.01       | 2.01  | 2.00  | 2.00  | 2.00  | 2.00  | 1.99  | 1.99  | 1.99  | 1.99  | 1.99  | 1.99  | 1.99  | 1.99  |       |
| <b>77</b>     | TC             | 29118                  | 29118      | 29412      | 29706 | 30980 | 30980 | 30980 | 31275 | 31863 | 31863 | 31863 | 31863 | 34314 | 34314 | 34314 | 34314 |       |
|               | S/T            | 0.77                   | 0.88       | 0.98       | 1.00  | 0.60  | 0.70  | 0.80  | 0.90  | 0.52  | 0.62  | 0.72  | 0.82  | 0.35  | 0.44  | 0.53  | 0.62  |       |
|               | PI             | 2.22                   | 2.22       | 2.22       | 2.22  | 2.21  | 2.21  | 2.21  | 2.21  | 2.21  | 2.21  | 2.21  | 2.21  | 2.22  | 2.22  | 2.22  | 2.22  |       |
| <b>86</b>     | TC             | 27745                  | 28039      | 28333      | 28627 | 29510 | 29510 | 29510 | 29804 | 30392 | 30392 | 30392 | 30392 | 32843 | 32843 | 32843 | 32843 |       |
|               | S/T            | 0.78                   | 0.89       | 1.00       | 1.00  | 0.61  | 0.71  | 0.82  | 0.92  | 0.53  | 0.63  | 0.73  | 0.84  | 0.34  | 0.44  | 0.53  | 0.63  |       |
|               | PI             | 2.43                   | 2.43       | 2.43       | 2.43  | 2.43  | 2.43  | 2.43  | 2.43  | 2.44  | 2.44  | 2.44  | 2.44  | 2.45  | 2.45  | 2.45  | 2.45  |       |
| <b>95</b>     | TC             | 26373                  | 26667      | 26961      | 27255 | 28137 | 28137 | 28137 | 28431 | 28922 | 28922 | 29412 | 28922 | 31275 | 31275 | 31275 | 31275 |       |
|               | S/T            | 0.80                   | 0.91       | 1.00       | 1.00  | 0.62  | 0.73  | 0.84  | 0.95  | 0.53  | 0.64  | 0.74  | 0.86  | 0.34  | 0.44  | 0.54  | 0.64  |       |
|               | PI             | 2.65                   | 2.65       | 2.65       | 2.65  | 2.66  | 2.66  | 2.66  | 2.66  | 2.67  | 2.67  | 2.67  | 2.67  | 2.67  | 2.67  | 2.67  | 2.67  |       |
| <b>104</b>    | TC             | 24880                  | 25130      | 25379      | 25629 | 26557 | 26557 | 26691 | 26985 | 27342 | 27342 | 27609 | 27476 | 29563 | 29563 | 29563 | 29563 |       |
|               | S/T            | 0.83                   | 0.95       | 1.00       | 1.00  | 0.63  | 0.75  | 0.88  | 0.99  | 0.54  | 0.66  | 0.78  | 0.89  | 0.34  | 0.45  | 0.56  | 0.67  |       |
|               | PI             | 2.92                   | 2.92       | 2.92       | 2.92  | 2.94  | 2.94  | 2.94  | 2.94  | 2.95  | 2.95  | 2.95  | 2.95  | 2.96  | 2.96  | 2.96  | 2.96  |       |
| <b>115</b>    | TC             | 23060                  | 23256      | 23452      | 23649 | 24630 | 24630 | 24924 | 25219 | 25415 | 25415 | 25415 | 25709 | 27476 | 27476 | 27476 | 27476 |       |
|               | S/T            | 0.84                   | 0.97       | 1.00       | 1.00  | 0.64  | 0.77  | 0.89  | 1.00  | 0.55  | 0.67  | 0.79  | 0.91  | 0.33  | 0.45  | 0.56  | 0.68  |       |
|               | PI             | 3.25                   | 3.25       | 3.25       | 3.25  | 3.27  | 3.27  | 3.27  | 3.27  | 3.28  | 3.28  | 3.28  | 3.28  | 3.31  | 3.31  | 3.31  | 3.31  |       |
| <b>122</b>    | TC             | 21588                  | 21784      | 21981      | 22177 | 23060 | 23060 | 23256 | 23452 | 23845 | 23845 | 23845 | 24041 | 25906 | 25906 | 25906 | 25906 |       |
|               | S/T            | 0.87                   | 1.00       | 1.00       | 1.00  | 0.65  | 0.79  | 0.92  | 1.00  | 0.55  | 0.68  | 0.82  | 0.94  | 0.33  | 0.45  | 0.57  | 0.91  |       |
|               | PI             | 3.53                   | 3.53       | 3.53       | 3.53  | 3.55  | 3.55  | 3.55  | 3.55  | 3.55  | 3.55  | 3.55  | 3.55  | 3.58  | 3.58  | 3.58  | 3.58  |       |

Manufacturer reserves the right to change, at any time, specifications and designs without notice and without obligations.

COOLING PERFORMANCE - 30K HH (Sheet 3 of 4)

| AIRFLOW (CFM) | OUTDOOR (DB F) | ID (WB F)<br>ID (DB F) | 60.8  |       |       |       | 64.4  |       |       |       | 66.2  |       |       |       | 71.6  |       |       |       |
|---------------|----------------|------------------------|-------|-------|-------|-------|-------|-------|-------|-------|-------|-------|-------|-------|-------|-------|-------|-------|
|               |                |                        | 73.4  | 77.0  | 80.6  | 84.2  | 73.4  | 77.0  | 80.6  | 84.2  | 73.4  | 77.0  | 80.6  | 84.2  | 73.4  | 77.0  | 80.6  | 84.2  |
|               |                |                        | TC    | 33241 | 33554 | 33868 | 34182 | 34783 | 34783 | 34783 | 35093 | 35603 | 35603 | 35603 | 35603 | 37658 | 37658 | 37658 |
| S/T           | 0.74           | 0.85                   | 1.00  | 1.00  | 0.58  | 0.68  | 0.78  | 0.96  | 0.50  | 0.60  | 0.69  | 0.79  | 0.32  | 0.42  | 0.50  | 0.60  |       |       |
| PI            | 2.29           | 2.29                   | 2.29  | 2.29  | 2.30  | 2.30  | 2.30  | 2.30  | 2.31  | 2.31  | 2.31  | 2.31  | 2.32  | 2.32  | 2.32  | 2.32  |       |       |
| -10           | TC             | 32995                  | 33307 | 33618 | 33929 | 34586 | 34586 | 34586 | 34893 | 35426 | 35426 | 35426 | 35426 | 37544 | 37544 | 37544 | 37544 |       |
|               | S/T            | 0.75                   | 0.85  | 1.00  | 1.00  | 0.58  | 0.68  | 0.79  | 0.97  | 0.51  | 0.60  | 0.70  | 0.79  | 0.33  | 0.42  | 0.51  | 0.60  |       |
|               | PI             | 2.07                   | 2.07  | 2.07  | 2.07  | 2.08  | 2.08  | 2.08  | 2.08  | 2.08  | 2.08  | 2.08  | 2.08  | 2.09  | 2.09  | 2.09  | 2.09  |       |
| 0             | TC             | 32791                  | 33100 | 33409 | 33719 | 34421 | 34421 | 34421 | 34728 | 35277 | 35277 | 35277 | 35277 | 37449 | 37449 | 37449 | 37449 |       |
|               | S/T            | 0.75                   | 0.86  | 1.00  | 1.00  | 0.59  | 0.68  | 0.79  | 0.97  | 0.51  | 0.61  | 0.70  | 0.80  | 0.33  | 0.42  | 0.51  | 0.61  |       |
|               | PI             | 2.00                   | 2.00  | 2.00  | 2.00  | 2.01  | 2.01  | 2.01  | 2.01  | 2.01  | 2.01  | 2.01  | 2.01  | 2.01  | 2.01  | 2.01  | 2.01  |       |
| 5             | TC             | 32695                  | 33003 | 33312 | 33620 | 34358 | 34358 | 34358 | 34664 | 35224 | 35224 | 35224 | 35224 | 37423 | 37423 | 37423 | 37423 |       |
|               | S/T            | 0.75                   | 0.86  | 1.00  | 1.00  | 0.59  | 0.69  | 0.79  | 0.98  | 0.51  | 0.61  | 0.70  | 0.80  | 0.33  | 0.42  | 0.51  | 0.61  |       |
|               | PI             | 1.88                   | 1.88  | 1.88  | 1.88  | 1.88  | 1.88  | 1.88  | 1.88  | 1.88  | 1.88  | 1.88  | 1.88  | 1.87  | 1.87  | 1.87  | 1.87  |       |
| 14            | TC             | 32501                  | 32808 | 33114 | 33421 | 34165 | 34165 | 34165 | 34469 | 35048 | 35048 | 35048 | 35048 | 37297 | 37297 | 37297 | 37297 |       |
|               | S/T            | 0.76                   | 0.86  | 1.00  | 1.00  | 0.59  | 0.69  | 0.80  | 0.98  | 0.51  | 0.61  | 0.71  | 0.81  | 0.33  | 0.43  | 0.51  | 0.61  |       |
|               | PI             | 1.87                   | 1.87  | 1.87  | 1.87  | 1.88  | 1.88  | 1.88  | 1.88  | 1.87  | 1.87  | 1.87  | 1.87  | 1.88  | 1.88  | 1.88  | 1.88  |       |
| 23            | TC             | 32307                  | 32612 | 32917 | 33222 | 34037 | 34037 | 34037 | 34340 | 34919 | 34919 | 34919 | 34919 | 37202 | 37202 | 37202 | 37202 |       |
|               | S/T            | 0.76                   | 0.87  | 1.00  | 1.00  | 0.59  | 0.69  | 0.80  | 0.99  | 0.52  | 0.61  | 0.71  | 0.81  | 0.33  | 0.43  | 0.52  | 0.61  |       |
|               | PI             | 1.87                   | 1.87  | 1.87  | 1.87  | 1.88  | 1.88  | 1.88  | 1.88  | 1.87  | 1.87  | 1.87  | 1.87  | 1.88  | 1.88  | 1.88  | 1.88  |       |
| 32            | TC             | 32146                  | 32449 | 32752 | 33055 | 33908 | 33908 | 33908 | 34210 | 34823 | 34823 | 34823 | 34823 | 37170 | 37170 | 37170 | 37170 |       |
|               | S/T            | 0.76                   | 0.87  | 1.00  | 1.00  | 0.60  | 0.70  | 0.80  | 0.99  | 0.52  | 0.62  | 0.72  | 0.81  | 0.33  | 0.43  | 0.52  | 0.62  |       |
|               | PI             | 1.88                   | 1.88  | 1.88  | 1.88  | 1.88  | 1.88  | 1.88  | 1.88  | 1.88  | 1.88  | 1.88  | 1.88  | 1.88  | 1.88  | 1.88  | 1.88  |       |
| 41            | TC             | 31984                  | 32286 | 32588 | 32889 | 33779 | 33779 | 33779 | 34080 | 34710 | 34710 | 34710 | 34710 | 37139 | 37139 | 37139 | 37139 |       |
|               | S/T            | 0.77                   | 0.88  | 1.00  | 1.00  | 0.60  | 0.70  | 0.81  | 1.00  | 0.52  | 0.62  | 0.72  | 0.82  | 0.33  | 0.43  | 0.52  | 0.62  |       |
|               | PI             | 1.89                   | 1.89  | 1.89  | 1.89  | 1.90  | 1.90  | 1.90  | 1.90  | 1.90  | 1.90  | 1.90  | 1.90  | 1.90  | 1.90  | 1.90  | 1.90  |       |
| 50            | TC             | 31790                  | 32090 | 32390 | 32690 | 33618 | 33618 | 33618 | 33918 | 34566 | 34566 | 34566 | 34566 | 37044 | 37044 | 37044 | 37044 |       |
|               | S/T            | 0.77                   | 0.88  | 1.00  | 1.00  | 0.60  | 0.70  | 0.81  | 1.00  | 0.52  | 0.62  | 0.72  | 0.82  | 0.34  | 0.44  | 0.52  | 0.62  |       |
|               | PI             | 1.93                   | 1.93  | 1.93  | 1.93  | 1.93  | 1.93  | 1.93  | 1.93  | 1.92  | 1.92  | 1.92  | 1.92  | 1.92  | 1.92  | 1.92  | 1.92  |       |
| 59            | TC             | 31532                  | 31829 | 32127 | 32424 | 33393 | 33393 | 33393 | 33690 | 34357 | 34357 | 34357 | 34357 | 36885 | 36885 | 36885 | 36885 |       |
|               | S/T            | 0.78                   | 0.89  | 0.99  | 1.00  | 0.61  | 0.71  | 0.82  | 0.92  | 0.53  | 0.63  | 0.73  | 0.83  | 0.34  | 0.44  | 0.53  | 0.63  |       |
|               | PI             | 1.97                   | 1.97  | 1.97  | 1.97  | 1.98  | 1.98  | 1.98  | 1.98  | 1.97  | 1.97  | 1.97  | 1.97  | 1.96  | 1.96  | 1.96  | 1.96  |       |
| 68            | TC             | 31176                  | 31471 | 31765 | 32059 | 33039 | 33039 | 33039 | 33333 | 34020 | 34020 | 34020 | 34020 | 36569 | 36569 | 36569 | 36569 |       |
|               | S/T            | 0.78                   | 0.89  | 0.99  | 1.00  | 0.61  | 0.71  | 0.82  | 0.92  | 0.53  | 0.63  | 0.73  | 0.83  | 0.34  | 0.44  | 0.53  | 0.63  |       |
|               | PI             | 2.04                   | 2.04  | 2.04  | 2.04  | 2.04  | 2.04  | 2.04  | 2.04  | 2.03  | 2.03  | 2.03  | 2.03  | 2.02  | 2.02  | 2.02  | 2.02  |       |
| 77            | TC             | 29706                  | 30000 | 30294 | 30588 | 31569 | 31569 | 31569 | 31863 | 32549 | 32549 | 32549 | 32549 | 35000 | 35000 | 35000 | 35000 |       |
|               | S/T            | 0.79                   | 0.91  | 1.00  | 1.00  | 0.61  | 0.72  | 0.83  | 0.94  | 0.53  | 0.64  | 0.75  | 0.85  | 0.34  | 0.44  | 0.54  | 0.64  |       |
|               | PI             | 2.26                   | 2.26  | 2.26  | 2.26  | 2.26  | 2.26  | 2.26  | 2.26  | 2.26  | 2.26  | 2.26  | 2.26  | 2.26  | 2.26  | 2.26  | 2.26  |       |
| 86            | TC             | 28333                  | 28627 | 28922 | 29216 | 30098 | 30098 | 30098 | 30392 | 31078 | 31078 | 31078 | 31078 | 33431 | 33431 | 33431 | 33431 |       |
|               | S/T            | 0.81                   | 0.92  | 1.00  | 1.00  | 0.62  | 0.74  | 0.85  | 0.96  | 0.54  | 0.65  | 0.76  | 0.87  | 0.34  | 0.44  | 0.55  | 0.65  |       |
|               | PI             | 2.47                   | 2.47  | 2.47  | 2.47  | 2.47  | 2.47  | 2.47  | 2.47  | 2.47  | 2.47  | 2.47  | 2.47  | 2.48  | 2.48  | 2.48  | 2.48  |       |
| 95            | TC             | 26961                  | 27255 | 27549 | 27843 | 28627 | 28627 | 28627 | 28922 | 29510 | 29510 | 30000 | 30294 | 31863 | 31863 | 31863 | 31863 |       |
|               | S/T            | 0.82                   | 0.95  | 1.00  | 1.00  | 0.63  | 0.75  | 0.87  | 0.99  | 0.54  | 0.66  | 0.77  | 0.88  | 0.34  | 0.44  | 0.55  | 0.66  |       |
|               | PI             | 2.70                   | 2.70  | 2.70  | 2.70  | 2.71  | 2.71  | 2.71  | 2.71  | 2.72  | 2.72  | 2.72  | 2.72  | 2.73  | 2.73  | 2.73  | 2.73  |       |
| 104           | TC             | 25379                  | 25629 | 25879 | 26129 | 27047 | 27047 | 27181 | 27476 | 27886 | 27886 | 28154 | 28448 | 30152 | 30152 | 30152 | 30152 |       |
|               | S/T            | 0.86                   | 0.99  | 1.00  | 1.00  | 0.65  | 0.78  | 0.91  | 1.00  | 0.55  | 0.68  | 0.81  | 0.93  | 0.33  | 0.45  | 0.57  | 0.90  |       |
|               | PI             | 2.98                   | 2.98  | 2.98  | 2.98  | 2.99  | 2.99  | 2.99  | 2.99  | 3.00  | 3.00  | 3.00  | 3.00  | 3.02  | 3.02  | 3.02  | 3.02  |       |
| 115           | TC             | 23452                  | 23649 | 23845 | 24041 | 25121 | 25121 | 25415 | 25709 | 25906 | 25906 | 25906 | 26200 | 28064 | 28064 | 28064 | 28064 |       |
|               | S/T            | 0.87                   | 1.00  | 1.00  | 1.00  | 0.66  | 0.79  | 0.93  | 1.00  | 0.56  | 0.69  | 0.83  | 0.95  | 0.33  | 0.45  | 0.58  | 0.92  |       |
|               | PI             | 3.32                   | 3.32  | 3.32  | 3.32  | 3.33  | 3.33  | 3.33  | 3.33  | 3.34  | 3.34  | 3.34  | 3.34  | 3.37  | 3.37  | 3.37  | 3.37  |       |
| 122           | TC             | 22079                  | 22275 | 22471 | 22667 | 23551 | 23551 | 23747 | 23943 | 24336 | 24336 | 24336 | 24532 | 26396 | 26396 | 26396 | 26396 |       |
|               | S/T            | 0.90                   | 1.00  | 1.00  | 1.00  | 0.67  | 0.82  | 0.96  | 1.00  | 0.56  | 0.71  | 0.85  | 0.99  | 0.32  | 0.46  | 0.59  | 0.97  |       |
|               | PI             | 3.60                   | 3.60  | 3.60  | 3.60  | 3.61  | 3.61  | 3.61  | 3.61  | 3.62  | 3.62  | 3.62  | 3.62  | 3.64  | 3.64  | 3.64  | 3.64  |       |

Manufacturer reserves the right to change, at any time, specifications and designs without notice and without obligations.

COOLING PERFORMANCE - 30K HH (Sheet 4 of 4)

Table with columns: AIRFLOW (CFM), OUTDOOR (DB F), ID (WB F), ID (DB F), and cooling capacity values for various airflows (988, 104, 115, 122, etc.) and conditions (60.8, 64.4, 66.2, 71.6). Rows include TC, S/T, and PI values.

LEGEND
TC - Total Cooling Capacity (BTU/hr)
S/T - Sensible Cooling Capacity Ratio
PI - Power Input (kW)
Gray shaded area is Extrapolated Data

Manufacturer reserves the right to change, at any time, specifications and designs without notice and without obligations.

HEATING PERFORMANCE AT INDOOR DRY BULB TEMPERATURE- 30K HH (Sheet 1 of 2)

| AIRFLOW (CFM) | OUTDOOR (DB F) | TC: TOTAL CAPACITY IN BTU/HR |       |       |       | PI: TOTAL POWER IN KILOWATTS |      |      |      |
|---------------|----------------|------------------------------|-------|-------|-------|------------------------------|------|------|------|
|               |                | Indoor Conditions (DB F)     |       |       |       | Indoor Conditions (DB F)     |      |      |      |
|               |                | 60.8                         | 68.0  | 71.6  | 75.2  | 60.8                         | 68.0 | 71.6 | 75.2 |
| 712           | -22.0          | 19319                        | 19121 | 18989 | 18923 | 2.31                         | 2.39 | 2.34 | 2.35 |
|               | -10.0          | 22228                        | 22001 | 21849 | 21773 | 2.71                         | 2.80 | 2.74 | 2.76 |
|               | 0.0            | 24653                        | 24400 | 24232 | 24148 | 3.04                         | 3.14 | 3.08 | 3.09 |
|               | 5.0            | 25950                        | 25684 | 25507 | 25418 | 3.22                         | 3.33 | 3.26 | 3.28 |
|               | 14.0           | 27709                        | 27425 | 27236 | 27142 | 3.43                         | 3.55 | 3.48 | 3.50 |
|               | 17.0           | 29029                        | 28731 | 28533 | 28434 | 3.65                         | 3.77 | 3.70 | 3.72 |
|               | 22.0           | 29029                        | 28731 | 28533 | 28434 | 3.55                         | 3.58 | 3.60 | 3.61 |
|               | 27.0           | 28929                        | 28632 | 28434 | 28335 | 3.37                         | 3.39 | 3.40 | 3.42 |
|               | 32.0           | 28533                        | 28236 | 28038 | 27840 | 3.19                         | 3.20 | 3.21 | 3.22 |
|               | 37.0           | 29128                        | 28731 | 28632 | 28434 | 3.04                         | 3.04 | 3.05 | 3.05 |
|               | 42.0           | 30713                        | 30316 | 30118 | 29920 | 2.88                         | 2.88 | 2.88 | 2.88 |
|               | 44.6           | 32427                        | 32009 | 31613 | 31414 | 2.81                         | 2.72 | 2.80 | 2.80 |
|               | 52.0           | 33099                        | 32703 | 32405 | 32207 | 2.56                         | 2.55 | 2.54 | 2.53 |
|               | 57.0           | 33694                        | 33198 | 33000 | 32703 | 2.40                         | 2.37 | 2.36 | 2.35 |
|               | 62.0           | 34288                        | 33793 | 33495 | 33297 | 2.24                         | 2.21 | 2.19 | 2.18 |
| 64.4          | 34586          | 34090                        | 33793 | 33495 | 2.16  | 2.12                         | 2.11 | 2.09 |      |
| 806           | -22.0          | 19729                        | 19531 | 19465 | 19334 | 2.33                         | 2.41 | 2.37 | 2.37 |
|               | -10.0          | 22701                        | 22473 | 22397 | 22245 | 2.73                         | 2.83 | 2.77 | 2.78 |
|               | 0.0            | 25177                        | 24925 | 24840 | 24672 | 3.06                         | 3.17 | 3.11 | 3.12 |
|               | 5.0            | 26502                        | 26236 | 26147 | 25970 | 3.24                         | 3.36 | 3.30 | 3.30 |
|               | 14.0           | 28298                        | 28015 | 27920 | 27731 | 3.46                         | 3.58 | 3.52 | 3.52 |
|               | 17.0           | 29646                        | 29349 | 29249 | 29051 | 3.68                         | 3.81 | 3.74 | 3.74 |
|               | 22.0           | 29623                        | 29326 | 29227 | 29029 | 3.58                         | 3.61 | 3.63 | 3.65 |
|               | 27.0           | 29524                        | 29227 | 29128 | 28929 | 3.40                         | 3.42 | 3.44 | 3.45 |
|               | 32.0           | 29128                        | 28830 | 28632 | 28533 | 3.22                         | 3.24 | 3.24 | 3.25 |
|               | 37.0           | 29722                        | 29425 | 29227 | 29029 | 3.07                         | 3.07 | 3.08 | 3.08 |
|               | 42.0           | 31307                        | 30911 | 30713 | 30515 | 2.91                         | 2.91 | 2.91 | 2.91 |
|               | 44.6           | 33122                        | 32703 | 32306 | 32108 | 2.84                         | 2.75 | 2.83 | 2.83 |
|               | 52.0           | 33892                        | 33396 | 33198 | 32901 | 2.59                         | 2.58 | 2.57 | 2.56 |
|               | 57.0           | 34486                        | 33991 | 33694 | 33495 | 2.42                         | 2.40 | 2.39 | 2.38 |
|               | 62.0           | 35081                        | 34486 | 34288 | 33991 | 2.27                         | 2.24 | 2.22 | 2.21 |
| 64.4          | 35378          | 34784                        | 34486 | 34288 | 2.19  | 2.15                         | 2.14 | 2.12 |      |

HEATING PERFORMANCE AT INDOOR DRY BULB TEMPERATURE- 30K HH (Sheet 2 of 2)

| AIRFLOW (CFM) | OUTDOOR (DB F) | TC: TOTAL CAPACITY IN BTU/HR |       |       |       | PI: TOTAL POWER IN KILOWATTS |      |      |      |
|---------------|----------------|------------------------------|-------|-------|-------|------------------------------|------|------|------|
|               |                | Indoor Conditions (DB F)     |       |       |       | Indoor Conditions (DB F)     |      |      |      |
|               |                | 60.8                         | 68.0  | 71.6  | 75.2  | 60.8                         | 68.0 | 71.6 | 75.2 |
| 895           | -22.0          | 19912                        | 19714 | 19582 | 19516 | 2.35                         | 2.44 | 2.38 | 2.40 |
|               | -10.0          | 22911                        | 22683 | 22532 | 22456 | 2.76                         | 2.85 | 2.79 | 2.81 |
|               | 0.0            | 25410                        | 25158 | 24989 | 24905 | 3.09                         | 3.20 | 3.13 | 3.15 |
|               | 5.0            | 26747                        | 26481 | 26304 | 26215 | 3.28                         | 3.39 | 3.32 | 3.34 |
|               | 14.0           | 28560                        | 28276 | 28087 | 27993 | 3.50                         | 3.62 | 3.54 | 3.56 |
|               | 17.0           | 29920                        | 29623 | 29425 | 29326 | 3.72                         | 3.84 | 3.76 | 3.78 |
|               | 22.0           | 29920                        | 29623 | 29425 | 29326 | 3.62                         | 3.65 | 3.66 | 3.68 |
|               | 27.0           | 29821                        | 29524 | 29326 | 29227 | 3.43                         | 3.46 | 3.47 | 3.48 |
|               | 32.0           | 29425                        | 29128 | 28929 | 28731 | 3.25                         | 3.27 | 3.28 | 3.28 |
|               | 37.0           | 30019                        | 29623 | 29524 | 29326 | 3.10                         | 3.11 | 3.11 | 3.11 |
|               | 42.0           | 31604                        | 31208 | 31010 | 30812 | 2.94                         | 2.94 | 2.94 | 2.94 |
|               | 44.6           | 33419                        | 33000 | 32604 | 32405 | 2.87                         | 2.78 | 2.86 | 2.86 |
|               | 52.0           | 34189                        | 33694 | 33495 | 33198 | 2.62                         | 2.61 | 2.60 | 2.59 |
|               | 57.0           | 34784                        | 34288 | 33991 | 33793 | 2.45                         | 2.43 | 2.42 | 2.41 |
|               | 62.0           | 35378                        | 34784 | 34586 | 34288 | 2.29                         | 2.26 | 2.25 | 2.23 |
| 64.4          | 35676          | 35081                        | 34883 | 34586 | 2.21  | 2.18                         | 2.16 | 2.14 |      |
| 988           | -22.0          | 20096                        | 19898 | 19700 | 19701 | 2.38                         | 2.46 | 2.40 | 2.42 |
|               | -10.0          | 23123                        | 22895 | 22667 | 22668 | 2.79                         | 2.88 | 2.82 | 2.84 |
|               | 0.0            | 25645                        | 25393 | 25139 | 25141 | 3.13                         | 3.23 | 3.16 | 3.18 |
|               | 5.0            | 26994                        | 26729 | 26462 | 26463 | 3.31                         | 3.42 | 3.35 | 3.37 |
|               | 14.0           | 28824                        | 28541 | 28256 | 28257 | 3.53                         | 3.65 | 3.57 | 3.60 |
|               | 17.0           | 30197                        | 29900 | 29601 | 29603 | 3.76                         | 3.88 | 3.79 | 3.82 |
|               | 22.0           | 30220                        | 29923 | 29624 | 29626 | 3.66                         | 3.69 | 3.69 | 3.71 |
|               | 27.0           | 30121                        | 29824 | 29525 | 29527 | 3.46                         | 3.50 | 3.50 | 3.51 |
|               | 32.0           | 29725                        | 29428 | 29230 | 28931 | 3.28                         | 3.30 | 3.32 | 3.31 |
|               | 37.0           | 30319                        | 29822 | 29824 | 29626 | 3.13                         | 3.15 | 3.14 | 3.14 |
|               | 42.0           | 31904                        | 31508 | 31310 | 31112 | 2.97                         | 2.97 | 2.97 | 2.97 |
|               | 44.6           | 33719                        | 33300 | 32904 | 32705 | 2.90                         | 2.81 | 2.89 | 2.89 |
|               | 52.0           | 34489                        | 33994 | 33795 | 33498 | 2.65                         | 2.64 | 2.63 | 2.62 |
|               | 57.0           | 35084                        | 34588 | 34291 | 34093 | 2.48                         | 2.46 | 2.45 | 2.44 |
|               | 62.0           | 35678                        | 35084 | 34885 | 34588 | 2.31                         | 2.28 | 2.28 | 2.25 |
| 64.4          | 35975          | 35381                        | 35284 | 34885 | 2.23  | 2.21                         | 2.18 | 2.16 |      |

Gray shaded area is Extrapolated Data

COOLING PERFORMANCE - 36K (Sheet 1 of 4)

| AIRFLOW (CFM) | OUTDOOR (DB F) | ID (WB F) | 60.8  |       |       |       | 64.4  |       |       |       | 66.2  |       |       |       | 71.6  |       |       |       |
|---------------|----------------|-----------|-------|-------|-------|-------|-------|-------|-------|-------|-------|-------|-------|-------|-------|-------|-------|-------|
|               |                | ID (DB F) | 73.4  | 77.0  | 80.6  | 84.2  | 73.4  | 77.0  | 80.6  | 84.2  | 73.4  | 77.0  | 80.6  | 84.2  | 73.4  | 77.0  | 80.6  | 84.2  |
| 865           | -22            | TC        | 38348 | 38369 | 38369 | 38369 | 40157 | 40998 | 40998 | 40998 | 41048 | 41048 | 41048 | 41048 | 43420 | 43420 | 43420 | 43420 |
|               |                | S/T       | 0.65  | 0.70  | 0.77  | 0.83  | 0.54  | 0.60  | 0.66  | 0.71  | 0.49  | 0.54  | 0.60  | 0.66  | 0.37  | 0.43  | 0.48  | 0.52  |
|               |                | PI        | 3.16  | 3.16  | 3.16  | 3.16  | 3.17  | 3.17  | 3.17  | 3.17  | 3.17  | 3.17  | 3.17  | 3.17  | 3.20  | 3.20  | 3.20  | 3.20  |
|               | -10            | TC        | 38065 | 38086 | 38086 | 38086 | 39929 | 40765 | 40765 | 40765 | 40843 | 40843 | 40843 | 40843 | 43288 | 43288 | 43288 | 43288 |
|               |                | S/T       | 0.65  | 0.71  | 0.78  | 0.83  | 0.55  | 0.60  | 0.66  | 0.72  | 0.50  | 0.55  | 0.60  | 0.66  | 0.37  | 0.43  | 0.48  | 0.53  |
|               |                | PI        | 2.86  | 2.86  | 2.86  | 2.86  | 2.86  | 2.86  | 2.86  | 2.86  | 2.86  | 2.86  | 2.86  | 2.86  | 2.88  | 2.88  | 2.88  | 2.88  |
|               | 0              | TC        | 37829 | 37850 | 37850 | 37850 | 39739 | 40572 | 40572 | 40572 | 40672 | 40672 | 40672 | 40672 | 43179 | 43179 | 43179 | 43179 |
|               |                | S/T       | 0.65  | 0.71  | 0.78  | 0.84  | 0.55  | 0.60  | 0.66  | 0.72  | 0.50  | 0.55  | 0.61  | 0.66  | 0.38  | 0.43  | 0.48  | 0.53  |
|               |                | PI        | 2.67  | 2.67  | 2.67  | 2.67  | 2.67  | 2.67  | 2.67  | 2.67  | 2.67  | 2.67  | 2.67  | 2.67  | 2.68  | 2.68  | 2.68  | 2.68  |
|               | 5              | TC        | 37719 | 37739 | 37739 | 37739 | 39666 | 40497 | 40497 | 40497 | 40611 | 40611 | 40611 | 40611 | 43150 | 43150 | 43150 | 43150 |
|               |                | S/T       | 0.66  | 0.71  | 0.78  | 0.84  | 0.55  | 0.61  | 0.67  | 0.72  | 0.50  | 0.55  | 0.61  | 0.67  | 0.38  | 0.43  | 0.48  | 0.53  |
|               |                | PI        | 2.51  | 2.51  | 2.51  | 2.51  | 2.50  | 2.50  | 2.50  | 2.50  | 2.49  | 2.49  | 2.49  | 2.49  | 2.49  | 2.49  | 2.49  | 2.49  |
|               | 14             | TC        | 37495 | 37515 | 37515 | 37515 | 39444 | 40270 | 40270 | 40270 | 40407 | 40407 | 40407 | 40407 | 43004 | 43004 | 43004 | 43004 |
|               |                | S/T       | 0.66  | 0.72  | 0.79  | 0.84  | 0.55  | 0.61  | 0.67  | 0.73  | 0.50  | 0.55  | 0.61  | 0.67  | 0.38  | 0.44  | 0.49  | 0.53  |
|               |                | PI        | 2.49  | 2.49  | 2.49  | 2.49  | 2.49  | 2.49  | 2.49  | 2.49  | 2.49  | 2.49  | 2.49  | 2.49  | 2.49  | 2.49  | 2.49  | 2.49  |
|               | 23             | TC        | 37271 | 37292 | 37292 | 37292 | 39295 | 40118 | 40118 | 40118 | 40259 | 40259 | 40259 | 40259 | 42894 | 42894 | 42894 | 42894 |
|               |                | S/T       | 0.66  | 0.72  | 0.79  | 0.85  | 0.56  | 0.61  | 0.67  | 0.73  | 0.51  | 0.56  | 0.61  | 0.67  | 0.38  | 0.44  | 0.49  | 0.54  |
|               |                | PI        | 2.49  | 2.49  | 2.49  | 2.49  | 2.49  | 2.49  | 2.49  | 2.49  | 2.49  | 2.49  | 2.49  | 2.49  | 2.50  | 2.50  | 2.50  | 2.50  |
|               | 32             | TC        | 37085 | 37105 | 37105 | 37105 | 39146 | 39967 | 39967 | 39967 | 40148 | 40148 | 40148 | 40148 | 42857 | 42857 | 42857 | 42857 |
|               |                | S/T       | 0.67  | 0.73  | 0.79  | 0.85  | 0.56  | 0.61  | 0.68  | 0.74  | 0.51  | 0.56  | 0.62  | 0.68  | 0.38  | 0.44  | 0.49  | 0.54  |
|               |                | PI        | 2.50  | 2.50  | 2.50  | 2.50  | 2.50  | 2.50  | 2.50  | 2.50  | 2.50  | 2.50  | 2.50  | 2.50  | 2.50  | 2.50  | 2.50  | 2.50  |
|               | 41             | TC        | 36899 | 36919 | 36919 | 36919 | 38998 | 39815 | 39815 | 39815 | 40019 | 40019 | 40019 | 40019 | 42821 | 42821 | 42821 | 42821 |
|               |                | S/T       | 0.67  | 0.73  | 0.80  | 0.86  | 0.56  | 0.62  | 0.68  | 0.74  | 0.51  | 0.56  | 0.62  | 0.68  | 0.38  | 0.44  | 0.49  | 0.54  |
|               |                | PI        | 2.52  | 2.52  | 2.52  | 2.52  | 2.52  | 2.52  | 2.52  | 2.52  | 2.52  | 2.52  | 2.52  | 2.52  | 2.52  | 2.52  | 2.52  | 2.52  |
|               | 50             | TC        | 36675 | 36695 | 36695 | 36695 | 38812 | 39625 | 39625 | 39625 | 39852 | 39852 | 39852 | 39852 | 42711 | 42711 | 42711 | 42711 |
|               |                | S/T       | 0.67  | 0.73  | 0.80  | 0.86  | 0.56  | 0.62  | 0.68  | 0.74  | 0.51  | 0.56  | 0.62  | 0.68  | 0.39  | 0.45  | 0.50  | 0.54  |
|               |                | PI        | 2.56  | 2.56  | 2.56  | 2.56  | 2.56  | 2.56  | 2.56  | 2.56  | 2.55  | 2.55  | 2.55  | 2.55  | 2.56  | 2.56  | 2.56  | 2.56  |
|               | 59             | TC        | 36377 | 36397 | 36397 | 36397 | 38552 | 39360 | 39360 | 39360 | 39611 | 39611 | 39611 | 39611 | 42529 | 42529 | 42529 | 42529 |
|               |                | S/T       | 0.68  | 0.74  | 0.81  | 0.87  | 0.57  | 0.62  | 0.69  | 0.75  | 0.52  | 0.57  | 0.63  | 0.69  | 0.39  | 0.45  | 0.50  | 0.55  |
|               |                | PI        | 2.63  | 2.63  | 2.63  | 2.63  | 2.62  | 2.62  | 2.62  | 2.62  | 2.61  | 2.61  | 2.61  | 2.61  | 2.61  | 2.61  | 2.61  | 2.61  |
|               | 68             | TC        | 35967 | 35986 | 35986 | 35986 | 38144 | 38144 | 38144 | 38144 | 39222 | 39222 | 39222 | 39222 | 42164 | 42164 | 42164 | 42164 |
|               |                | S/T       | 0.68  | 0.74  | 0.81  | 0.87  | 0.57  | 0.63  | 0.69  | 0.75  | 0.52  | 0.57  | 0.63  | 0.69  | 0.39  | 0.45  | 0.50  | 0.55  |
|               |                | PI        | 2.72  | 2.72  | 2.72  | 2.72  | 2.71  | 2.71  | 2.71  | 2.71  | 2.70  | 2.70  | 2.70  | 2.70  | 2.69  | 2.69  | 2.69  | 2.69  |
|               | 77             | TC        | 34319 | 34319 | 34319 | 34319 | 36477 | 36477 | 36477 | 36477 | 37555 | 37555 | 37555 | 37555 | 40399 | 40399 | 40399 | 40399 |
|               |                | S/T       | 0.68  | 0.75  | 0.82  | 0.88  | 0.57  | 0.63  | 0.69  | 0.75  | 0.51  | 0.57  | 0.63  | 0.69  | 0.39  | 0.44  | 0.50  | 0.56  |
|               |                | PI        | 2.99  | 2.99  | 2.99  | 2.99  | 2.99  | 2.99  | 2.99  | 2.99  | 2.99  | 2.99  | 2.99  | 2.99  | 2.99  | 2.99  | 2.99  | 2.99  |
|               | 86             | TC        | 32653 | 32653 | 32653 | 32947 | 34810 | 34810 | 34810 | 34810 | 35790 | 35790 | 35790 | 35790 | 38634 | 38634 | 38634 | 38634 |
|               |                | S/T       | 0.69  | 0.76  | 0.83  | 0.89  | 0.57  | 0.63  | 0.70  | 0.76  | 0.51  | 0.58  | 0.64  | 0.70  | 0.38  | 0.44  | 0.50  | 0.56  |
|               |                | PI        | 3.28  | 3.28  | 3.28  | 3.28  | 3.29  | 3.29  | 3.29  | 3.29  | 3.29  | 3.29  | 3.29  | 3.29  | 3.31  | 3.31  | 3.31  | 3.31  |
|               | 95             | TC        | 31084 | 31084 | 31084 | 31378 | 33045 | 33045 | 33045 | 33045 | 34123 | 34123 | 34614 | 34123 | 36771 | 36771 | 36771 | 36771 |
|               |                | S/T       | 0.69  | 0.77  | 0.84  | 0.91  | 0.57  | 0.64  | 0.71  | 0.78  | 0.51  | 0.58  | 0.64  | 0.71  | 0.38  | 0.44  | 0.50  | 0.56  |
|               |                | PI        | 3.58  | 3.58  | 3.58  | 3.58  | 3.60  | 3.60  | 3.60  | 3.60  | 3.60  | 3.60  | 3.61  | 3.60  | 3.63  | 3.63  | 3.63  | 3.63  |
|               | 104            | TC        | 29259 | 29259 | 29259 | 29553 | 31176 | 31176 | 31176 | 31176 | 32165 | 32165 | 32433 | 32165 | 34724 | 34724 | 34724 | 34724 |
|               |                | S/T       | 0.71  | 0.79  | 0.87  | 0.94  | 0.57  | 0.65  | 0.72  | 0.80  | 0.51  | 0.59  | 0.66  | 0.73  | 0.37  | 0.44  | 0.50  | 0.57  |
|               |                | PI        | 3.96  | 3.96  | 3.96  | 3.96  | 3.98  | 3.98  | 3.98  | 3.98  | 3.99  | 3.99  | 3.99  | 3.99  | 4.02  | 4.02  | 4.02  | 4.02  |
|               | 115            | TC        | 27066 | 27066 | 27066 | 27360 | 28929 | 28929 | 28929 | 28929 | 29812 | 29812 | 29812 | 29812 | 32263 | 32263 | 32263 | 32263 |
|               |                | S/T       | 0.71  | 0.80  | 0.88  | 0.96  | 0.58  | 0.66  | 0.73  | 0.81  | 0.51  | 0.59  | 0.66  | 0.74  | 0.37  | 0.44  | 0.51  | 0.58  |
|               |                | PI        | 4.40  | 4.40  | 4.40  | 4.40  | 4.43  | 4.43  | 4.43  | 4.43  | 4.44  | 4.44  | 4.44  | 4.44  | 4.47  | 4.47  | 4.47  | 4.47  |
|               | 122            | TC        | 25399 | 25399 | 25693 | 25987 | 27164 | 27164 | 27164 | 27164 | 28046 | 28046 | 28046 | 28046 | 30400 | 30400 | 30400 | 30400 |
|               |                | S/T       | 0.73  | 0.82  | 0.90  | 0.98  | 0.58  | 0.66  | 0.75  | 0.83  | 0.51  | 0.60  | 0.68  | 0.76  | 0.36  | 0.44  | 0.51  | 0.58  |
|               |                | PI        | 4.78  | 4.78  | 4.78  | 4.78  | 4.80  | 4.80  | 4.80  | 4.80  | 4.80  | 4.80  | 4.80  | 4.80  | 4.84  | 4.84  | 4.84  | 4.84  |

COOLING PERFORMANCE - 36K (Sheet 2 of 4)

| AIRFLOW<br>(CFM) | OUTDOOR<br>(DB F) | ID (WB F)<br>ID (DB F) | 60.8  |       |       |       | 64.4  |       |       |       | 66.2  |       |       |       | 71.6  |       |       |       |
|------------------|-------------------|------------------------|-------|-------|-------|-------|-------|-------|-------|-------|-------|-------|-------|-------|-------|-------|-------|-------|
|                  |                   |                        | 73.4  | 77.0  | 80.6  | 84.2  | 73.4  | 77.0  | 80.6  | 84.2  | 73.4  | 77.0  | 80.6  | 84.2  | 73.4  | 77.0  | 80.6  | 84.2  |
|                  |                   |                        | 971   | -22   | TC    | 39116 | 39116 | 39116 | 39534 | 40998 | 40998 | 40998 | 40998 | 41885 | 41885 | 41885 | 41885 | 44345 |
| S/T              | 0.68              | 0.76                   |       |       | 0.97  | 1.00  | 0.55  | 0.63  | 0.70  | 0.78  | 0.48  | 0.56  | 0.64  | 0.70  | 0.34  | 0.42  | 0.48  | 0.55  |
| PI               | 3.16              | 3.16                   |       |       | 3.16  | 3.16  | 3.17  | 3.17  | 3.17  | 3.17  | 3.17  | 3.17  | 3.17  | 3.17  | 3.20  | 3.20  | 3.20  | 3.20  |
| -10              | TC                | 38827                  |       | 38827 | 38827 | 39242 | 40765 | 40765 | 40765 | 40765 | 41676 | 41676 | 41676 | 41676 | 44211 | 44211 | 44211 | 44211 |
|                  | S/T               | 0.69                   |       | 0.77  | 0.97  | 1.00  | 0.56  | 0.63  | 0.71  | 0.79  | 0.49  | 0.56  | 0.64  | 0.71  | 0.34  | 0.42  | 0.49  | 0.56  |
|                  | PI                | 2.86                   |       | 2.86  | 2.86  | 2.86  | 2.86  | 2.86  | 2.86  | 2.86  | 2.86  | 2.86  | 2.86  | 2.86  | 2.88  | 2.88  | 2.88  | 2.88  |
| 0                | TC                | 38586                  |       | 38586 | 38586 | 38999 | 40572 | 40572 | 40572 | 40572 | 41502 | 41502 | 41502 | 41502 | 44099 | 44099 | 44099 | 44099 |
|                  | S/T               | 0.69                   |       | 0.77  | 0.98  | 1.00  | 0.56  | 0.64  | 0.71  | 0.79  | 0.49  | 0.57  | 0.65  | 0.71  | 0.35  | 0.42  | 0.49  | 0.56  |
|                  | PI                | 2.71                   |       | 2.71  | 2.71  | 2.71  | 2.71  | 2.71  | 2.71  | 2.71  | 2.71  | 2.71  | 2.70  | 2.71  | 2.72  | 2.72  | 2.72  | 2.72  |
| 5                | TC                | 38473                  |       | 38473 | 38473 | 38885 | 40497 | 40497 | 40497 | 40497 | 41439 | 41439 | 41439 | 41439 | 44069 | 44069 | 44069 | 44069 |
|                  | S/T               | 0.70                   |       | 0.77  | 0.98  | 1.00  | 0.56  | 0.64  | 0.71  | 0.79  | 0.49  | 0.57  | 0.65  | 0.71  | 0.35  | 0.42  | 0.49  | 0.56  |
|                  | PI                | 2.54                   |       | 2.54  | 2.54  | 2.54  | 2.54  | 2.54  | 2.54  | 2.54  | 2.53  | 2.53  | 2.53  | 2.53  | 2.53  | 2.53  | 2.53  | 2.53  |
| 14               | TC                | 38245                  |       | 38245 | 38245 | 38654 | 40270 | 40270 | 40270 | 40270 | 41231 | 41231 | 41231 | 41231 | 43920 | 43920 | 43920 | 43920 |
|                  | S/T               | 0.70                   |       | 0.78  | 0.99  | 1.00  | 0.56  | 0.64  | 0.72  | 0.80  | 0.49  | 0.57  | 0.65  | 0.72  | 0.35  | 0.43  | 0.49  | 0.56  |
|                  | PI                | 2.53                   |       | 2.53  | 2.53  | 2.53  | 2.53  | 2.53  | 2.53  | 2.53  | 2.53  | 2.53  | 2.53  | 2.53  | 2.53  | 2.53  | 2.53  | 2.53  |
| 23               | TC                | 38017                  |       | 38017 | 38017 | 38424 | 40118 | 40118 | 40118 | 40118 | 41080 | 41080 | 41080 | 41080 | 43808 | 43808 | 43808 | 43808 |
|                  | S/T               | 0.70                   |       | 0.78  | 0.99  | 1.00  | 0.57  | 0.64  | 0.72  | 0.80  | 0.50  | 0.58  | 0.65  | 0.72  | 0.35  | 0.43  | 0.50  | 0.57  |
|                  | PI                | 2.53                   |       | 2.53  | 2.53  | 2.53  | 2.53  | 2.53  | 2.53  | 2.53  | 2.53  | 2.53  | 2.53  | 2.53  | 2.54  | 2.54  | 2.54  | 2.54  |
| 32               | TC                | 37827                  |       | 37827 | 37827 | 38232 | 39967 | 39967 | 39967 | 39967 | 40967 | 40967 | 40967 | 40967 | 43771 | 43771 | 43771 | 43771 |
|                  | S/T               | 0.71                   |       | 0.78  | 1.00  | 1.00  | 0.57  | 0.65  | 0.73  | 0.80  | 0.50  | 0.58  | 0.66  | 0.73  | 0.35  | 0.43  | 0.50  | 0.57  |
|                  | PI                | 2.54                   |       | 2.54  | 2.54  | 2.54  | 2.54  | 2.54  | 2.54  | 2.54  | 2.54  | 2.54  | 2.54  | 2.54  | 2.54  | 2.54  | 2.54  | 2.54  |
| 41               | TC                | 37637                  |       | 37637 | 37637 | 38040 | 39815 | 39815 | 39815 | 39815 | 40834 | 40834 | 40834 | 40834 | 43734 | 43734 | 43734 | 43734 |
|                  | S/T               | 0.71                   |       | 0.79  | 1.00  | 1.00  | 0.57  | 0.65  | 0.73  | 0.81  | 0.50  | 0.58  | 0.66  | 0.73  | 0.35  | 0.43  | 0.50  | 0.57  |
|                  | PI                | 2.56                   |       | 2.56  | 2.56  | 2.56  | 2.56  | 2.56  | 2.56  | 2.56  | 2.56  | 2.56  | 2.56  | 2.56  | 2.56  | 2.56  | 2.56  | 2.56  |
| 50               | TC                | 37409                  | 37409 | 37409 | 37809 | 39625 | 39625 | 39625 | 39625 | 40664 | 40664 | 40664 | 40664 | 43622 | 43622 | 43622 | 43622 |       |
|                  | S/T               | 0.71                   | 0.79  | 1.00  | 1.00  | 0.57  | 0.65  | 0.73  | 0.81  | 0.50  | 0.58  | 0.66  | 0.73  | 0.36  | 0.44  | 0.50  | 0.57  |       |
|                  | PI                | 2.60                   | 2.60  | 2.60  | 2.60  | 2.60  | 2.60  | 2.60  | 2.60  | 2.60  | 2.60  | 2.60  | 2.60  | 2.60  | 2.60  | 2.60  | 2.60  |       |
| 59               | TC                | 37105                  | 37105 | 37105 | 37502 | 39360 | 39360 | 39360 | 39360 | 40419 | 40419 | 40419 | 40419 | 43436 | 43436 | 43436 | 43436 |       |
|                  | S/T               | 0.72                   | 0.80  | 0.88  | 0.96  | 0.58  | 0.66  | 0.74  | 0.82  | 0.51  | 0.59  | 0.67  | 0.74  | 0.36  | 0.44  | 0.51  | 0.58  |       |
|                  | PI                | 2.67                   | 2.67  | 2.67  | 2.67  | 2.66  | 2.66  | 2.66  | 2.66  | 2.65  | 2.65  | 2.65  | 2.65  | 2.65  | 2.65  | 2.65  | 2.65  |       |
| 68               | TC                | 36687                  | 36687 | 36687 | 37079 | 38943 | 38943 | 38943 | 38943 | 40022 | 40022 | 40022 | 40022 | 43063 | 43063 | 43063 | 43063 |       |
|                  | S/T               | 0.72                   | 0.80  | 0.88  | 0.96  | 0.58  | 0.66  | 0.74  | 0.82  | 0.51  | 0.59  | 0.67  | 0.74  | 0.36  | 0.44  | 0.51  | 0.58  |       |
|                  | PI                | 2.76                   | 2.76  | 2.76  | 2.76  | 2.75  | 2.75  | 2.75  | 2.75  | 2.74  | 2.74  | 2.74  | 2.74  | 2.73  | 2.73  | 2.73  | 2.73  |       |
| 77               | TC                | 35019                  | 35019 | 35411 | 35804 | 37177 | 37177 | 37177 | 37177 | 38256 | 38256 | 38256 | 38256 | 41199 | 41199 | 41199 | 41199 |       |
|                  | S/T               | 0.72                   | 0.81  | 0.90  | 0.98  | 0.58  | 0.66  | 0.75  | 0.83  | 0.51  | 0.60  | 0.68  | 0.76  | 0.36  | 0.44  | 0.51  | 0.59  |       |
|                  | PI                | 3.05                   | 3.05  | 3.05  | 3.05  | 3.05  | 3.05  | 3.05  | 3.05  | 3.05  | 3.05  | 3.05  | 3.05  | 3.05  | 3.05  | 3.05  | 3.05  |       |
| 86               | TC                | 33351                  | 33351 | 33646 | 33940 | 35510 | 35510 | 35510 | 35510 | 36589 | 36589 | 36589 | 36589 | 39335 | 39335 | 39335 | 39335 |       |
|                  | S/T               | 0.73                   | 0.83  | 0.92  | 1.00  | 0.59  | 0.67  | 0.76  | 0.85  | 0.52  | 0.60  | 0.69  | 0.77  | 0.36  | 0.44  | 0.51  | 0.59  |       |
|                  | PI                | 3.34                   | 3.34  | 3.34  | 3.34  | 3.34  | 3.34  | 3.34  | 3.34  | 3.35  | 3.35  | 3.35  | 3.35  | 3.36  | 3.36  | 3.36  | 3.36  |       |
| 95               | TC                | 31684                  | 31684 | 31978 | 32272 | 33744 | 33744 | 33744 | 33744 | 34725 | 34725 | 35313 | 34725 | 37471 | 37471 | 37471 | 37471 |       |
|                  | S/T               | 0.74                   | 0.84  | 0.94  | 1.00  | 0.59  | 0.68  | 0.77  | 0.87  | 0.52  | 0.61  | 0.69  | 0.79  | 0.35  | 0.44  | 0.52  | 0.60  |       |
|                  | PI                | 3.64                   | 3.64  | 3.64  | 3.64  | 3.66  | 3.66  | 3.66  | 3.66  | 3.66  | 3.66  | 3.67  | 3.66  | 3.66  | 3.66  | 3.66  | 3.66  |       |
| 104              | TC                | 29578                  | 29710 | 30002 | 30293 | 31530 | 31530 | 31530 | 31663 | 32458 | 32458 | 32776 | 32458 | 35090 | 35090 | 35090 | 35090 |       |
|                  | S/T               | 0.77                   | 0.87  | 0.98  | 1.00  | 0.60  | 0.70  | 0.80  | 0.90  | 0.52  | 0.62  | 0.72  | 0.82  | 0.35  | 0.44  | 0.53  | 0.62  |       |
|                  | PI                | 4.02                   | 4.02  | 4.02  | 4.02  | 4.04  | 4.04  | 4.04  | 4.04  | 4.04  | 4.04  | 4.05  | 4.04  | 4.06  | 4.06  | 4.06  | 4.06  |       |
| 115              | TC                | 27404                  | 27696 | 27987 | 28279 | 29251 | 29251 | 29251 | 29542 | 30125 | 30125 | 30125 | 30125 | 32652 | 32652 | 32652 | 32652 |       |
|                  | S/T               | 0.78                   | 0.89  | 0.99  | 1.00  | 0.61  | 0.71  | 0.82  | 0.92  | 0.53  | 0.63  | 0.73  | 0.83  | 0.35  | 0.44  | 0.53  | 0.63  |       |
|                  | PI                | 4.47                   | 4.47  | 4.47  | 4.47  | 4.49  | 4.49  | 4.49  | 4.49  | 4.50  | 4.50  | 4.50  | 4.50  | 4.54  | 4.54  | 4.54  | 4.54  |       |
| 122              | TC                | 25655                  | 25947 | 26238 | 26530 | 27502 | 27502 | 27502 | 27793 | 28376 | 28376 | 28376 | 28376 | 30806 | 30806 | 30806 | 30806 |       |
|                  | S/T               | 0.80                   | 0.91  | 1.00  | 1.00  | 0.62  | 0.73  | 0.84  | 0.94  | 0.53  | 0.64  | 0.75  | 0.86  | 0.34  | 0.44  | 0.54  | 0.91  |       |
|                  | PI                | 4.84                   | 4.84  | 4.84  | 4.84  | 4.86  | 4.86  | 4.86  | 4.86  | 4.87  | 4.87  | 4.87  | 4.87  | 4.91  | 4.91  | 4.91  | 4.91  |       |

Manufacturer reserves the right to change, at any time, specifications and designs without notice and without obligations.

COOLING PERFORMANCE - 36K (Sheet 3 of 4)

| AIRFLOW<br>(CFM) | OUTDOOR<br>(DB F) | ID (WB F)<br>ID (DB F) | 60.8  |       |       |       | 64.4  |       |       |       | 66.2  |       |       |       | 71.6  |       |       |       |
|------------------|-------------------|------------------------|-------|-------|-------|-------|-------|-------|-------|-------|-------|-------|-------|-------|-------|-------|-------|-------|
|                  |                   |                        | 73.4  | 77.0  | 80.6  | 84.2  | 73.4  | 77.0  | 80.6  | 84.2  | 73.4  | 77.0  | 80.6  | 84.2  | 73.4  | 77.0  | 80.6  | 84.2  |
|                  |                   |                        | 1083  | -22   | TC    | 39848 | 40266 | 40685 | 41103 | 41721 | 41721 | 41721 | 42134 | 42706 | 42706 | 42706 | 42706 | 45153 |
| S/T              | 0.73              | 0.84                   |       |       | 1.00  | 1.00  | 0.58  | 0.68  | 0.77  | 0.96  | 0.50  | 0.60  | 0.69  | 0.79  | 0.33  | 0.42  | 0.50  | 0.60  |
| PI               | 3.16              | 3.16                   |       |       | 3.16  | 3.16  | 3.17  | 3.17  | 3.17  | 3.17  | 3.17  | 3.17  | 3.17  | 3.17  | 3.20  | 3.20  | 3.20  | 3.20  |
| -10              | TC                | 39554                  |       | 39969 | 40384 | 40800 | 41484 | 41484 | 41484 | 41895 | 42493 | 42493 | 42493 | 42493 | 45017 | 45017 | 45017 | 45017 |
|                  | S/T               | 0.74                   |       | 0.84  | 1.00  | 1.00  | 0.58  | 0.68  | 0.78  | 0.97  | 0.51  | 0.60  | 0.70  | 0.79  | 0.34  | 0.42  | 0.51  | 0.60  |
|                  | PI                | 2.86                   |       | 2.86  | 2.86  | 2.86  | 2.86  | 2.86  | 2.86  | 2.86  | 2.86  | 2.86  | 2.86  | 2.86  | 2.88  | 2.88  | 2.88  | 2.88  |
| 0                | TC                | 39308                  |       | 39721 | 40134 | 40547 | 41287 | 41287 | 41287 | 41696 | 42315 | 42315 | 42315 | 42315 | 44903 | 44903 | 44903 | 44903 |
|                  | S/T               | 0.74                   |       | 0.85  | 1.00  | 1.00  | 0.59  | 0.68  | 0.78  | 0.97  | 0.51  | 0.61  | 0.70  | 0.80  | 0.34  | 0.42  | 0.51  | 0.61  |
|                  | PI                | 2.77                   |       | 2.77  | 2.77  | 2.77  | 2.77  | 2.77  | 2.77  | 2.77  | 2.77  | 2.77  | 2.76  | 2.77  | 2.78  | 2.78  | 2.78  | 2.78  |
| 5                | TC                | 39194                  |       | 39605 | 40017 | 40428 | 41212 | 41212 | 41212 | 41620 | 42252 | 42252 | 42252 | 42252 | 44872 | 44872 | 44872 | 44872 |
|                  | S/T               | 0.74                   |       | 0.85  | 1.00  | 1.00  | 0.59  | 0.69  | 0.78  | 0.98  | 0.51  | 0.61  | 0.70  | 0.80  | 0.34  | 0.42  | 0.51  | 0.61  |
|                  | PI                | 2.60                   |       | 2.60  | 2.60  | 2.60  | 2.59  | 2.59  | 2.59  | 2.59  | 2.59  | 2.59  | 2.59  | 2.59  | 2.58  | 2.58  | 2.58  | 2.58  |
| 14               | TC                | 38961                  |       | 39370 | 39779 | 40188 | 40980 | 40980 | 40980 | 41386 | 42040 | 42040 | 42040 | 42040 | 44721 | 44721 | 44721 | 44721 |
|                  | S/T               | 0.75                   |       | 0.85  | 1.00  | 1.00  | 0.59  | 0.69  | 0.79  | 0.98  | 0.51  | 0.61  | 0.71  | 0.81  | 0.34  | 0.43  | 0.51  | 0.61  |
|                  | PI                | 2.59                   |       | 2.59  | 2.59  | 2.59  | 2.59  | 2.59  | 2.59  | 2.59  | 2.58  | 2.58  | 2.58  | 2.58  | 2.59  | 2.59  | 2.59  | 2.59  |
| 23               | TC                | 38729                  |       | 39135 | 39542 | 39949 | 40826 | 40826 | 40826 | 41230 | 41885 | 41885 | 41885 | 41885 | 44607 | 44607 | 44607 | 44607 |
|                  | S/T               | 0.75                   |       | 0.86  | 1.00  | 1.00  | 0.59  | 0.69  | 0.79  | 0.99  | 0.52  | 0.61  | 0.71  | 0.81  | 0.34  | 0.43  | 0.52  | 0.61  |
|                  | PI                | 2.58                   |       | 2.58  | 2.58  | 2.58  | 2.58  | 2.58  | 2.58  | 2.58  | 2.58  | 2.58  | 2.58  | 2.58  | 2.59  | 2.59  | 2.59  | 2.59  |
| 32               | TC                | 38535                  |       | 38940 | 39344 | 39749 | 40671 | 40671 | 40671 | 41074 | 41770 | 41770 | 41770 | 41770 | 44569 | 44569 | 44569 | 44569 |
|                  | S/T               | 0.75                   |       | 0.86  | 1.00  | 1.00  | 0.60  | 0.70  | 0.79  | 0.99  | 0.52  | 0.62  | 0.72  | 0.81  | 0.34  | 0.43  | 0.52  | 0.62  |
|                  | PI                | 2.59                   |       | 2.59  | 2.59  | 2.59  | 2.59  | 2.59  | 2.59  | 2.59  | 2.59  | 2.59  | 2.59  | 2.59  | 2.60  | 2.60  | 2.60  | 2.60  |
| 41               | TC                | 38342                  |       | 38744 | 39147 | 39549 | 40517 | 40517 | 40517 | 40918 | 41635 | 41635 | 41635 | 41635 | 44531 | 44531 | 44531 | 44531 |
|                  | S/T               | 0.76                   |       | 0.87  | 1.00  | 1.00  | 0.60  | 0.70  | 0.80  | 1.00  | 0.52  | 0.62  | 0.72  | 0.82  | 0.34  | 0.43  | 0.52  | 0.62  |
|                  | PI                | 2.62                   |       | 2.62  | 2.62  | 2.62  | 2.62  | 2.62  | 2.62  | 2.62  | 2.61  | 2.61  | 2.61  | 2.61  | 2.62  | 2.62  | 2.62  | 2.62  |
| 50               | TC                | 38109                  |       | 38509 | 38909 | 39309 | 40324 | 40324 | 40324 | 40723 | 41462 | 41462 | 41462 | 41462 | 44417 | 44417 | 44417 | 44417 |
|                  | S/T               | 0.76                   |       | 0.87  | 1.00  | 1.00  | 0.60  | 0.70  | 0.80  | 1.00  | 0.52  | 0.62  | 0.72  | 0.82  | 0.35  | 0.44  | 0.52  | 0.62  |
|                  | PI                | 2.66                   |       | 2.66  | 2.66  | 2.66  | 2.66  | 2.66  | 2.66  | 2.66  | 2.65  | 2.65  | 2.65  | 2.65  | 2.65  | 2.65  | 2.65  | 2.65  |
| 59               | TC                | 37799                  | 38196 | 38593 | 38990 | 40054 | 40054 | 40054 | 40450 | 41211 | 41211 | 41211 | 41211 | 44227 | 44227 | 44227 | 44227 |       |
|                  | S/T               | 0.77                   | 0.88  | 0.99  | 1.00  | 0.61  | 0.71  | 0.81  | 0.91  | 0.53  | 0.63  | 0.73  | 0.83  | 0.35  | 0.44  | 0.53  | 0.63  |       |
|                  | PI                | 2.72                   | 2.72  | 2.72  | 2.72  | 2.72  | 2.72  | 2.72  | 2.72  | 2.71  | 2.71  | 2.71  | 2.71  | 2.71  | 2.71  | 2.71  | 2.71  |       |
| 68               | TC                | 37373                  | 37766 | 38158 | 38550 | 39629 | 39629 | 39629 | 40022 | 40807 | 40807 | 40807 | 40807 | 43847 | 43847 | 43847 | 43847 |       |
|                  | S/T               | 0.77                   | 0.88  | 0.99  | 1.00  | 0.61  | 0.71  | 0.81  | 0.91  | 0.53  | 0.63  | 0.73  | 0.83  | 0.35  | 0.44  | 0.53  | 0.63  |       |
|                  | PI                | 2.82                   | 2.82  | 2.82  | 2.82  | 2.81  | 2.81  | 2.81  | 2.81  | 2.80  | 2.80  | 2.80  | 2.80  | 2.79  | 2.79  | 2.79  | 2.79  |       |
| 77               | TC                | 35706                  | 36098 | 36490 | 36883 | 37864 | 37864 | 37864 | 38256 | 39041 | 39041 | 39041 | 39041 | 41984 | 41984 | 41984 | 41984 |       |
|                  | S/T               | 0.79                   | 0.90  | 1.00  | 1.00  | 0.61  | 0.72  | 0.83  | 0.93  | 0.53  | 0.64  | 0.74  | 0.85  | 0.34  | 0.44  | 0.54  | 0.64  |       |
|                  | PI                | 3.11                   | 3.11  | 3.11  | 3.11  | 3.10  | 3.10  | 3.10  | 3.10  | 3.10  | 3.10  | 3.10  | 3.10  | 3.11  | 3.11  | 3.11  | 3.11  |       |
| 86               | TC                | 34038                  | 34332 | 34725 | 35117 | 36196 | 36196 | 36196 | 36589 | 37275 | 37275 | 37275 | 37275 | 40120 | 40120 | 40120 | 40120 |       |
|                  | S/T               | 0.80                   | 0.92  | 1.00  | 1.00  | 0.62  | 0.73  | 0.85  | 0.96  | 0.53  | 0.64  | 0.76  | 0.87  | 0.34  | 0.44  | 0.54  | 0.65  |       |
|                  | PI                | 3.41                   | 3.41  | 3.41  | 3.41  | 3.41  | 3.41  | 3.41  | 3.41  | 3.42  | 3.42  | 3.42  | 3.42  | 3.43  | 3.43  | 3.43  | 3.43  |       |
| 95               | TC                | 32272                  | 32567 | 32861 | 33155 | 34332 | 34332 | 34332 | 34725 | 35411 | 35411 | 36000 | 36392 | 38256 | 38256 | 38256 | 38256 |       |
|                  | S/T               | 0.82                   | 0.94  | 1.00  | 1.00  | 0.63  | 0.75  | 0.87  | 0.98  | 0.54  | 0.66  | 0.77  | 0.88  | 0.34  | 0.44  | 0.55  | 0.66  |       |
|                  | PI                | 3.72                   | 3.72  | 3.72  | 3.72  | 3.74  | 3.74  | 3.74  | 3.74  | 3.74  | 3.74  | 3.75  | 3.74  | 3.77  | 3.77  | 3.77  | 3.77  |       |
| 104              | TC                | 30117                  | 30408 | 30700 | 30991 | 32069 | 32069 | 32201 | 32546 | 33094 | 33094 | 33412 | 33756 | 35824 | 35824 | 35824 | 35824 |       |
|                  | S/T               | 0.85                   | 0.99  | 1.00  | 1.00  | 0.65  | 0.78  | 0.90  | 1.00  | 0.55  | 0.68  | 0.80  | 0.93  | 0.33  | 0.45  | 0.57  | 0.90  |       |
|                  | PI                | 4.11                   | 4.11  | 4.11  | 4.11  | 4.13  | 4.13  | 4.13  | 4.13  | 4.13  | 4.13  | 4.14  | 4.13  | 4.16  | 4.16  | 4.16  | 4.16  |       |
| 115              | TC                | 27890                  | 28182 | 28473 | 28765 | 29737 | 29737 | 30028 | 30320 | 30708 | 30708 | 30708 | 31000 | 33332 | 33332 | 33332 | 33332 |       |
|                  | S/T               | 0.87                   | 1.00  | 1.00  | 1.00  | 0.65  | 0.79  | 0.92  | 1.00  | 0.55  | 0.69  | 0.82  | 0.95  | 0.33  | 0.45  | 0.57  | 0.92  |       |
|                  | PI                | 4.57                   | 4.57  | 4.57  | 4.57  | 4.59  | 4.59  | 4.59  | 4.59  | 4.60  | 4.60  | 4.60  | 4.60  | 4.64  | 4.64  | 4.64  | 4.64  |       |
| 122              | TC                | 26141                  | 26433 | 26724 | 27016 | 27987 | 27987 | 28279 | 28571 | 28959 | 28959 | 28959 | 29251 | 31389 | 31389 | 31389 | 31389 |       |
|                  | S/T               | 0.90                   | 1.00  | 1.00  | 1.00  | 0.67  | 0.81  | 0.95  | 1.00  | 0.56  | 0.70  | 0.84  | 0.98  | 0.33  | 0.46  | 0.59  | 0.97  |       |
|                  | PI                | 4.95                   | 4.95  | 4.95  | 4.95  | 4.97  | 4.97  | 4.97  | 4.97  | 4.98  | 4.98  | 4.98  | 4.98  | 5.02  | 5.02  | 5.02  | 5.02  |       |



COOLING PERFORMANCE - 36K (Sheet 4 of 4)

| AIRFLOW<br>(CFM) | OUTDOOR<br>(DB F) | ID (WB F)<br>ID (DB F) | 60.8  |       |       |       | 64.4  |       |       |       | 66.2  |       |       |       | 71.6  |       |       |       |
|------------------|-------------------|------------------------|-------|-------|-------|-------|-------|-------|-------|-------|-------|-------|-------|-------|-------|-------|-------|-------|
|                  |                   |                        | 73.4  | 77.0  | 80.6  | 84.2  | 73.4  | 77.0  | 80.6  | 84.2  | 73.4  | 77.0  | 80.6  | 84.2  | 73.4  | 77.0  | 80.6  | 84.2  |
| 1188             | -22               | TC                     | 40594 | 41451 | 42317 | 42734 | 42457 | 42457 | 42457 | 43301 | 43544 | 43544 | 43544 | 43544 | 45976 | 45976 | 45976 | 45976 |
|                  |                   | S/T                    | 0.78  | 0.92  | 1.00  | 1.00  | 0.61  | 0.73  | 0.84  | 1.00  | 0.52  | 0.64  | 0.76  | 0.89  | 0.32  | 0.42  | 0.52  | 0.65  |
|                  |                   | PI                     | 2.66  | 2.66  | 2.66  | 2.66  | 2.65  | 2.65  | 2.65  | 2.65  | 2.63  | 2.63  | 2.63  | 2.63  | 2.62  | 2.62  | 2.62  | 2.62  |
|                  | -10               | TC                     | 40294 | 41145 | 42004 | 42419 | 42216 | 42216 | 42216 | 43056 | 43326 | 43326 | 43326 | 43326 | 45837 | 45837 | 45837 | 45837 |
|                  |                   | S/T                    | 0.79  | 0.93  | 1.00  | 1.00  | 0.61  | 0.73  | 0.85  | 1.00  | 0.53  | 0.64  | 0.76  | 0.89  | 0.33  | 0.42  | 0.53  | 0.66  |
|                  |                   | PI                     | 2.65  | 2.65  | 2.65  | 2.65  | 2.64  | 2.64  | 2.64  | 2.64  | 2.64  | 2.64  | 2.64  | 2.64  | 2.63  | 2.63  | 2.63  | 2.63  |
|                  | 0                 | TC                     | 40044 | 40889 | 41743 | 42155 | 42015 | 42015 | 42015 | 42851 | 43145 | 43145 | 43145 | 43145 | 45721 | 45721 | 45721 | 45721 |
|                  |                   | S/T                    | 0.79  | 0.93  | 1.00  | 1.00  | 0.62  | 0.74  | 0.85  | 1.00  | 0.53  | 0.65  | 0.77  | 0.90  | 0.33  | 0.42  | 0.53  | 0.66  |
|                  |                   | PI                     | 2.65  | 2.65  | 2.65  | 2.65  | 2.64  | 2.64  | 2.64  | 2.64  | 2.64  | 2.64  | 2.64  | 2.64  | 2.64  | 2.64  | 2.64  | 2.64  |
|                  | 5                 | TC                     | 39927 | 40770 | 41621 | 42032 | 41938 | 41938 | 41938 | 42773 | 43080 | 43080 | 43080 | 43080 | 45690 | 45690 | 45690 | 45690 |
|                  |                   | S/T                    | 0.80  | 0.93  | 1.00  | 1.00  | 0.62  | 0.74  | 0.86  | 1.00  | 0.53  | 0.65  | 0.77  | 0.90  | 0.33  | 0.42  | 0.53  | 0.66  |
|                  |                   | PI                     | 2.65  | 2.65  | 2.65  | 2.65  | 2.65  | 2.65  | 2.65  | 2.65  | 2.64  | 2.64  | 2.64  | 2.64  | 2.64  | 2.64  | 2.64  | 2.64  |
| 14               | TC                | 39690                  | 40528 | 41375 | 41783 | 41703 | 41703 | 41703 | 42532 | 42864 | 42864 | 42864 | 42864 | 45536 | 45536 | 45536 | 45536 |       |
|                  | S/T               | 0.80                   | 0.94  | 1.00  | 1.00  | 0.62  | 0.74  | 0.86  | 1.00  | 0.53  | 0.65  | 0.77  | 0.90  | 0.33  | 0.43  | 0.53  | 0.66  |       |
|                  | PI                | 2.64                   | 2.64  | 2.64  | 2.64  | 2.64  | 2.64  | 2.64  | 2.64  | 2.64  | 2.64  | 2.64  | 2.64  | 2.64  | 2.64  | 2.64  | 2.64  |       |
| 23               | TC                | 39454                  | 40286 | 41128 | 41534 | 41545 | 41545 | 41545 | 42372 | 42707 | 42707 | 42707 | 42707 | 45420 | 45420 | 45420 | 45420 |       |
|                  | S/T               | 0.80                   | 0.94  | 1.00  | 1.00  | 0.63  | 0.74  | 0.86  | 1.00  | 0.54  | 0.66  | 0.78  | 0.91  | 0.33  | 0.43  | 0.54  | 0.67  |       |
|                  | PI                | 2.64                   | 2.64  | 2.64  | 2.64  | 2.64  | 2.64  | 2.64  | 2.64  | 2.64  | 2.64  | 2.64  | 2.64  | 2.65  | 2.65  | 2.65  | 2.65  |       |
| 32               | TC                | 39256                  | 40085 | 40922 | 41326 | 41388 | 41388 | 41388 | 42212 | 42589 | 42589 | 42589 | 42589 | 45381 | 45381 | 45381 | 45381 |       |
|                  | S/T               | 0.81                   | 0.95  | 1.00  | 1.00  | 0.63  | 0.75  | 0.87  | 1.00  | 0.54  | 0.66  | 0.78  | 0.91  | 0.33  | 0.43  | 0.54  | 0.67  |       |
|                  | PI                | 2.65                   | 2.65  | 2.65  | 2.65  | 2.65  | 2.65  | 2.65  | 2.65  | 2.65  | 2.65  | 2.65  | 2.65  | 2.66  | 2.66  | 2.66  | 2.66  |       |
| 41               | TC                | 39059                  | 39884 | 40717 | 41119 | 41231 | 41231 | 41231 | 42052 | 42451 | 42451 | 42451 | 42451 | 45342 | 45342 | 45342 | 45342 |       |
|                  | S/T               | 0.81                   | 0.95  | 0.99  | 0.99  | 0.63  | 0.75  | 0.87  | 1.00  | 0.54  | 0.66  | 0.78  | 0.92  | 0.34  | 0.43  | 0.54  | 0.67  |       |
|                  | PI                | 2.67                   | 2.67  | 2.67  | 2.67  | 2.67  | 2.67  | 2.67  | 2.67  | 2.67  | 2.67  | 2.67  | 2.67  | 2.67  | 2.67  | 2.67  | 2.67  |       |
| 50               | TC                | 38822                  | 39642 | 40470 | 40869 | 41035 | 41035 | 41035 | 41852 | 42275 | 42275 | 42275 | 42275 | 45226 | 45226 | 45226 | 45226 |       |
|                  | S/T               | 0.82                   | 0.96  | 1.00  | 1.00  | 0.64  | 0.76  | 0.88  | 1.00  | 0.55  | 0.67  | 0.79  | 0.92  | 0.34  | 0.44  | 0.55  | 0.68  |       |
|                  | PI                | 2.72                   | 2.72  | 2.72  | 2.72  | 2.71  | 2.71  | 2.71  | 2.71  | 2.71  | 2.71  | 2.71  | 2.71  | 2.71  | 2.71  | 2.71  | 2.71  |       |
| 59               | TC                | 38507                  | 39320 | 40141 | 40537 | 40760 | 40760 | 40760 | 41571 | 42019 | 42019 | 42019 | 42019 | 45033 | 45033 | 45033 | 45033 |       |
|                  | S/T               | 0.82                   | 0.96  | 1.00  | 1.00  | 0.64  | 0.76  | 0.88  | 1.00  | 0.55  | 0.67  | 0.79  | 0.93  | 0.34  | 0.44  | 0.55  | 0.68  |       |
|                  | PI                | 2.78                   | 2.78  | 2.78  | 2.78  | 2.78  | 2.78  | 2.78  | 2.78  | 2.77  | 2.77  | 2.77  | 2.77  | 2.77  | 2.77  | 2.77  | 2.77  |       |
| 68               | TC                | 38073                  | 38876 | 39688 | 40080 | 40328 | 40328 | 40328 | 41131 | 41607 | 41607 | 41607 | 41607 | 44646 | 44646 | 44646 | 44646 |       |
|                  | S/T               | 0.82                   | 0.97  | 1.00  | 1.00  | 0.64  | 0.76  | 0.89  | 1.00  | 0.55  | 0.67  | 0.80  | 0.93  | 0.34  | 0.44  | 0.55  | 0.68  |       |
|                  | PI                | 2.88                   | 2.88  | 2.88  | 2.88  | 2.87  | 2.87  | 2.87  | 2.87  | 2.86  | 2.86  | 2.86  | 2.86  | 2.85  | 2.85  | 2.85  | 2.85  |       |
| 77               | TC                | 36406                  | 37210 | 37602 | 37994 | 38563 | 38563 | 38563 | 39366 | 39842 | 39842 | 39842 | 39842 | 42783 | 42783 | 42783 | 42783 |       |
|                  | S/T               | 0.87                   | 1.00  | 1.00  | 1.00  | 0.64  | 0.79  | 0.92  | 1.00  | 0.55  | 0.68  | 0.81  | 0.95  | 0.32  | 0.44  | 0.57  | 0.69  |       |
|                  | PI                | 3.18                   | 3.18  | 3.18  | 3.18  | 3.16  | 3.16  | 3.16  | 3.16  | 3.16  | 3.16  | 3.16  | 3.16  | 3.18  | 3.18  | 3.18  | 3.18  |       |
| 86               | TC                | 34739                  | 35342 | 35838 | 36335 | 36896 | 36896 | 36896 | 37700 | 37975 | 37975 | 37975 | 37975 | 40920 | 40920 | 40920 | 40920 |       |
|                  | S/T               | 0.88                   | 1.00  | 1.00  | 1.00  | 0.65  | 0.80  | 0.95  | 1.00  | 0.54  | 0.68  | 0.84  | 0.98  | 0.32  | 0.44  | 0.57  | 0.72  |       |
|                  | PI                | 3.48                   | 3.48  | 3.48  | 3.48  | 3.48  | 3.48  | 3.48  | 3.48  | 3.49  | 3.49  | 3.49  | 3.49  | 3.50  | 3.50  | 3.50  | 3.50  |       |
| 95               | TC                | 32872                  | 33474 | 33768 | 34062 | 34931 | 34931 | 34931 | 35734 | 36112 | 36112 | 36700 | 38140 | 39057 | 39057 | 39057 | 39057 |       |
|                  | S/T               | 0.91                   | 1.00  | 1.00  | 1.00  | 0.67  | 0.83  | 0.98  | 1.00  | 0.56  | 0.71  | 0.86  | 0.98  | 0.33  | 0.44  | 0.58  | 0.73  |       |
|                  | PI                | 3.80                   | 3.80  | 3.80  | 3.80  | 3.82  | 3.82  | 3.82  | 3.82  | 3.82  | 3.82  | 3.83  | 3.82  | 3.88  | 3.88  | 3.88  | 3.88  |       |
| 104              | TC                | 30665                  | 31122 | 31414 | 31705 | 32617 | 32617 | 32887 | 33454 | 33742 | 33742 | 34060 | 35107 | 36572 | 36572 | 36572 | 36572 |       |
|                  | S/T               | 0.94                   | 1.00  | 1.00  | 1.00  | 0.70  | 0.87  | 1.00  | 1.00  | 0.58  | 0.75  | 0.89  | 1.00  | 0.31  | 0.46  | 0.61  | 1.00  |       |
|                  | PI                | 4.20                   | 4.20  | 4.20  | 4.20  | 4.21  | 4.21  | 4.21  | 4.21  | 4.22  | 4.22  | 4.22  | 4.22  | 4.27  | 4.27  | 4.27  | 4.27  |       |
| 115              | TC                | 28385                  | 28676 | 28968 | 29259 | 30231 | 30231 | 30826 | 31118 | 31303 | 31303 | 31303 | 31900 | 34027 | 34027 | 34027 | 34027 |       |
|                  | S/T               | 0.97                   | 1.00  | 1.00  | 1.00  | 0.69  | 0.88  | 1.00  | 1.00  | 0.57  | 0.76  | 0.92  | 1.00  | 0.31  | 0.46  | 0.61  | 1.00  |       |
|                  | PI                | 4.67                   | 4.67  | 4.67  | 4.67  | 4.69  | 4.69  | 4.69  | 4.69  | 4.70  | 4.70  | 4.70  | 4.70  | 4.74  | 4.74  | 4.74  | 4.74  |       |
| 122              | TC                | 26636                  | 26928 | 27219 | 27510 | 28482 | 28482 | 29078 | 29370 | 29554 | 29554 | 29554 | 30152 | 31983 | 31983 | 31983 | 31983 |       |
|                  | S/T               | 1.00                   | 1.00  | 1.00  | 1.00  | 0.72  | 0.90  | 1.00  | 1.00  | 0.59  | 0.77  | 0.94  | 1.00  | 0.32  | 0.48  | 0.64  | 1.00  |       |
|                  | PI                | 5.06                   | 5.06  | 5.06  | 5.06  | 5.08  | 5.08  | 5.08  | 5.08  | 5.08  | 5.09  | 5.09  | 5.09  | 5.09  | 5.13  | 5.13  | 5.13  | 5.13  |

**LEGEND**  
 TC - Total Cooling Capacity (BTU/hr)  
 S/T - Sensible Cooling Capacity Ratio  
 PI - Power Input (kW)  
 Gray shaded area is Extrapolated Data

Manufacturer reserves the right to change, at any time, specifications and designs without notice and without obligations.

HEATING PERFORMANCE AT INDOOR DRY BULB TEMPERATURE- 36K (Sheet 1 of 2)

| AIRFLOW (CFM) | OUTDOOR (DB F) | TC: TOTAL CAPACITY IN BTU/HR |       |       |       | PI: TOTAL POWER IN KILOWATTS |      |      |      |
|---------------|----------------|------------------------------|-------|-------|-------|------------------------------|------|------|------|
|               |                | Indoor Conditions (DB F)     |       |       |       | Indoor Conditions (DB F)     |      |      |      |
|               |                | 60.8                         | 68.0  | 71.6  | 75.2  | 60.8                         | 68.0 | 71.6 | 75.2 |
| 865           | -22.0          | 14970                        | 14722 | 14660 | 14537 | 1.89                         | 1.95 | 1.98 | 2.01 |
|               | -10.0          | 17224                        | 16939 | 16868 | 16726 | 2.21                         | 2.28 | 2.32 | 2.35 |
|               | 0.0            | 19103                        | 18787 | 18708 | 18550 | 2.48                         | 2.56 | 2.60 | 2.64 |
|               | 5.0            | 20108                        | 19776 | 19693 | 19526 | 2.63                         | 2.71 | 2.75 | 2.80 |
|               | 14.0           | 21471                        | 21116 | 21028 | 20850 | 2.81                         | 2.89 | 2.94 | 2.98 |
|               | 17.0           | 22494                        | 22122 | 22029 | 21843 | 2.98                         | 3.07 | 3.12 | 3.17 |
|               | 22.0           | 24007                        | 23610 | 23511 | 23312 | 2.99                         | 3.09 | 3.13 | 3.18 |
|               | 27.0           | 25495                        | 25098 | 24900 | 24800 | 3.03                         | 3.13 | 3.18 | 3.23 |
|               | 32.0           | 26586                        | 26189 | 25991 | 25892 | 3.07                         | 3.17 | 3.22 | 3.27 |
|               | 37.0           | 28768                        | 28372 | 28173 | 27975 | 3.15                         | 3.25 | 3.30 | 3.35 |
|               | 42.0           | 32042                        | 31546 | 31348 | 31149 | 3.22                         | 3.32 | 3.38 | 3.43 |
|               | 44.6           | 35461                        | 34912 | 33824 | 33527 | 3.27                         | 3.43 | 3.42 | 3.48 |
|               | 52.0           | 37681                        | 37187 | 36989 | 36692 | 3.35                         | 3.46 | 3.51 | 3.57 |
|               | 57.0           | 39857                        | 39363 | 39066 | 38769 | 3.41                         | 3.52 | 3.57 | 3.62 |
|               | 62.0           | 42033                        | 41538 | 41242 | 40945 | 3.46                         | 3.58 | 3.63 | 3.68 |
| 64.4          | 43121          | 42527                        | 42231 | 41934 | 3.49  | 3.60                         | 3.65 | 3.71 |      |
| 971           | -22.0          | 15183                        | 14998 | 14874 | 14812 | 1.91                         | 1.97 | 2.00 | 2.03 |
|               | -10.0          | 17469                        | 17256 | 17114 | 17043 | 2.24                         | 2.30 | 2.34 | 2.37 |
|               | 0.0            | 19375                        | 19139 | 18981 | 18902 | 2.51                         | 2.58 | 2.62 | 2.66 |
|               | 5.0            | 20394                        | 20146 | 19980 | 19897 | 2.66                         | 2.74 | 2.78 | 2.82 |
|               | 14.0           | 21777                        | 21511 | 21334 | 21246 | 2.83                         | 2.92 | 2.97 | 3.01 |
|               | 17.0           | 22814                        | 22536 | 22350 | 22257 | 3.01                         | 3.10 | 3.15 | 3.20 |
|               | 22.0           | 24404                        | 24106 | 23908 | 23808 | 3.02                         | 3.12 | 3.17 | 3.21 |
|               | 27.0           | 25892                        | 25594 | 25396 | 25296 | 3.06                         | 3.16 | 3.21 | 3.26 |
|               | 32.0           | 27082                        | 26685 | 26586 | 26388 | 3.10                         | 3.20 | 3.25 | 3.30 |
|               | 37.0           | 29364                        | 28967 | 28768 | 28570 | 3.18                         | 3.28 | 3.33 | 3.38 |
|               | 42.0           | 32637                        | 32240 | 31943 | 31744 | 3.25                         | 3.36 | 3.41 | 3.46 |
|               | 44.6           | 36043                        | 35604 | 34418 | 34220 | 3.30                         | 3.46 | 3.46 | 3.51 |
|               | 52.0           | 38473                        | 37978 | 37681 | 37385 | 3.39                         | 3.50 | 3.55 | 3.60 |
|               | 57.0           | 40648                        | 40154 | 39857 | 39560 | 3.44                         | 3.56 | 3.60 | 3.66 |
|               | 62.0           | 42923                        | 42330 | 42033 | 41736 | 3.50                         | 3.61 | 3.66 | 3.72 |
| 64.4          | 44011          | 43418                        | 43121 | 42824 | 3.53  | 3.64                         | 3.69 | 3.75 |      |

HEATING PERFORMANCE AT INDOOR DRY BULB TEMPERATURE- 36K (Sheet 2 of 2)

| AIRFLOW (CFM) | OUTDOOR (DB F) | TC: TOTAL CAPACITY IN BTU/HR |       |       |       | PI: TOTAL POWER IN KILOWATTS |      |      |      |
|---------------|----------------|------------------------------|-------|-------|-------|------------------------------|------|------|------|
|               |                | Indoor Conditions (DB F)     |       |       |       | Indoor Conditions (DB F)     |      |      |      |
|               |                | 60.8                         | 68.0  | 71.6  | 75.2  | 60.8                         | 68.0 | 71.6 | 75.2 |
| 1083          | -22.0          | 15303                        | 15118 | 15057 | 14933 | 1.93                         | 1.98 | 2.01 | 2.05 |
|               | -10.0          | 17608                        | 17395 | 17324 | 17182 | 2.26                         | 2.32 | 2.36 | 2.40 |
|               | 0.0            | 19529                        | 19293 | 19214 | 19057 | 2.53                         | 2.61 | 2.65 | 2.69 |
|               | 5.0            | 20556                        | 20308 | 20225 | 20059 | 2.68                         | 2.76 | 2.81 | 2.85 |
|               | 14.0           | 21950                        | 21685 | 21596 | 21419 | 2.86                         | 2.95 | 2.99 | 3.04 |
|               | 17.0           | 22995                        | 22717 | 22624 | 22439 | 3.04                         | 3.13 | 3.18 | 3.23 |
|               | 22.0           | 24602                        | 24304 | 24205 | 24007 | 3.05                         | 3.15 | 3.20 | 3.24 |
|               | 27.0           | 26189                        | 25792 | 25693 | 25495 | 3.09                         | 3.19 | 3.24 | 3.29 |
|               | 32.0           | 27380                        | 26983 | 26784 | 26586 | 3.13                         | 3.23 | 3.28 | 3.34 |
|               | 37.0           | 29661                        | 29264 | 29066 | 28868 | 3.21                         | 3.31 | 3.36 | 3.42 |
|               | 42.0           | 33034                        | 32538 | 32340 | 32141 | 3.28                         | 3.39 | 3.44 | 3.50 |
|               | 44.6           | 36549                        | 36000 | 34813 | 34615 | 3.33                         | 3.50 | 3.49 | 3.55 |
|               | 52.0           | 38868                        | 38374 | 38077 | 37879 | 3.42                         | 3.53 | 3.59 | 3.63 |
|               | 57.0           | 41143                        | 40648 | 40352 | 40055 | 3.48                         | 3.59 | 3.64 | 3.70 |
|               | 62.0           | 43418                        | 42824 | 42527 | 42231 | 3.53                         | 3.64 | 3.70 | 3.76 |
| 64.4          | 44505          | 43912                        | 43615 | 43319 | 3.56  | 3.67                         | 3.73 | 3.79 |      |
| 1188          | -22.0          | 15425                        | 15240 | 15241 | 15055 | 1.95                         | 2.00 | 2.03 | 2.07 |
|               | -10.0          | 17748                        | 17535 | 17537 | 17322 | 2.28                         | 2.34 | 2.38 | 2.42 |
|               | 0.0            | 19684                        | 19448 | 19450 | 19212 | 2.56                         | 2.63 | 2.67 | 2.71 |
|               | 5.0            | 20720                        | 20471 | 20473 | 20223 | 2.71                         | 2.79 | 2.83 | 2.88 |
|               | 14.0           | 22125                        | 21859 | 21861 | 21594 | 2.89                         | 2.97 | 3.02 | 3.07 |
|               | 17.0           | 23178                        | 22900 | 22902 | 22622 | 3.07                         | 3.16 | 3.21 | 3.26 |
|               | 22.0           | 24802                        | 24504 | 24506 | 24207 | 3.08                         | 3.18 | 3.23 | 3.27 |
|               | 27.0           | 26490                        | 25992 | 25994 | 25695 | 3.12                         | 3.22 | 3.27 | 3.32 |
|               | 32.0           | 27680                        | 27284 | 26984 | 26786 | 3.16                         | 3.26 | 3.31 | 3.38 |
|               | 37.0           | 29962                        | 29565 | 29367 | 29168 | 3.24                         | 3.34 | 3.39 | 3.46 |
|               | 42.0           | 33436                        | 32838 | 32741 | 32543 | 3.31                         | 3.42 | 3.47 | 3.54 |
|               | 44.6           | 37062                        | 36400 | 35213 | 35016 | 3.36                         | 3.53 | 3.52 | 3.59 |
|               | 52.0           | 39268                        | 38773 | 38477 | 38380 | 3.45                         | 3.56 | 3.63 | 3.66 |
|               | 57.0           | 41643                        | 41149 | 40852 | 40556 | 3.52                         | 3.62 | 3.68 | 3.74 |
|               | 62.0           | 43918                        | 43324 | 43028 | 42731 | 3.56                         | 3.67 | 3.74 | 3.80 |
| 64.4          | 45006          | 44412                        | 44116 | 43819 | 3.59  | 3.70                         | 3.77 | 3.83 |      |

Gray shaded area is Extrapolated Data

COOLING PERFORMANCE - 36K HH (Sheet 1 of 4)

| AIRFLOW<br>(CFM) | OUTDOOR<br>(DB F) | ID (WB F) | 60.8      |       |       |       | 64.4  |       |       |       | 66.2  |       |       |       | 71.6  |       |       |       |
|------------------|-------------------|-----------|-----------|-------|-------|-------|-------|-------|-------|-------|-------|-------|-------|-------|-------|-------|-------|-------|
|                  |                   |           | ID (DB F) | 73.4  | 77.0  | 80.6  | 84.2  | 73.4  | 77.0  | 80.6  | 84.2  | 73.4  | 77.0  | 80.6  | 84.2  | 73.4  | 77.0  | 80.6  |
|                  |                   | 865       | -22       | TC    | 38348 | 38369 | 38788 | 39206 | 40157 | 40998 | 40998 | 41411 | 41048 | 41048 | 41048 | 41048 | 43420 | 43420 |
| S/T              | 0.70              |           |           | 0.79  | 0.87  | 0.95  | 0.56  | 0.64  | 0.72  | 0.81  | 0.49  | 0.57  | 0.66  | 0.73  | 0.34  | 0.42  | 0.49  | 0.57  |
| PI               | 2.76              |           |           | 2.76  | 2.76  | 2.76  | 2.76  | 2.76  | 2.76  | 2.76  | 2.76  | 2.77  | 2.77  | 2.77  | 2.77  | 2.80  | 2.80  | 2.80  |
| -10              | TC                |           | 38065     | 38086 | 38501 | 38916 | 39929 | 40765 | 40765 | 41176 | 40843 | 40843 | 40843 | 40843 | 43288 | 43288 | 43288 | 43288 |
|                  | S/T               |           | 0.71      | 0.79  | 0.88  | 0.96  | 0.56  | 0.65  | 0.73  | 0.81  | 0.50  | 0.57  | 0.66  | 0.74  | 0.34  | 0.42  | 0.50  | 0.57  |
|                  | PI                |           | 2.50      | 2.50  | 2.50  | 2.50  | 2.50  | 2.50  | 2.50  | 2.50  | 2.51  | 2.51  | 2.51  | 2.51  | 2.52  | 2.52  | 2.52  | 2.52  |
| 0                | TC                |           | 37829     | 37850 | 38262 | 38675 | 39739 | 40572 | 40572 | 40980 | 40672 | 40672 | 40672 | 40672 | 43179 | 43179 | 43179 | 43179 |
|                  | S/T               |           | 0.71      | 0.80  | 0.89  | 0.96  | 0.57  | 0.65  | 0.73  | 0.82  | 0.50  | 0.58  | 0.66  | 0.74  | 0.35  | 0.42  | 0.50  | 0.58  |
|                  | PI                |           | 2.33      | 2.33  | 2.33  | 2.33  | 2.33  | 2.33  | 2.33  | 2.33  | 2.34  | 2.34  | 2.34  | 2.34  | 2.35  | 2.35  | 2.35  | 2.35  |
| 5                | TC                |           | 37719     | 37739 | 38150 | 38562 | 39666 | 40497 | 40497 | 40905 | 40611 | 40611 | 40611 | 40611 | 43150 | 43150 | 43150 | 43150 |
|                  | S/T               |           | 0.71      | 0.80  | 0.89  | 0.97  | 0.57  | 0.65  | 0.73  | 0.82  | 0.50  | 0.58  | 0.67  | 0.74  | 0.35  | 0.42  | 0.50  | 0.58  |
|                  | PI                |           | 2.19      | 2.19  | 2.19  | 2.19  | 2.19  | 2.19  | 2.19  | 2.19  | 2.19  | 2.19  | 2.19  | 2.19  | 2.18  | 2.18  | 2.18  | 2.18  |
| 14               | TC                |           | 37495     | 37515 | 37924 | 38333 | 39444 | 40270 | 40270 | 40676 | 40407 | 40407 | 40407 | 40407 | 43004 | 43004 | 43004 | 43004 |
|                  | S/T               |           | 0.72      | 0.81  | 0.89  | 0.97  | 0.57  | 0.66  | 0.74  | 0.82  | 0.50  | 0.58  | 0.67  | 0.75  | 0.35  | 0.43  | 0.50  | 0.58  |
|                  | PI                |           | 2.18      | 2.18  | 2.18  | 2.18  | 2.18  | 2.18  | 2.18  | 2.18  | 2.18  | 2.18  | 2.18  | 2.18  | 2.19  | 2.19  | 2.19  | 2.19  |
| 23               | TC                |           | 37271     | 37292 | 37698 | 38104 | 39295 | 40118 | 40118 | 40522 | 40259 | 40259 | 40259 | 40259 | 42894 | 42894 | 42894 | 42894 |
|                  | S/T               |           | 0.72      | 0.81  | 0.90  | 0.98  | 0.58  | 0.66  | 0.74  | 0.83  | 0.51  | 0.59  | 0.67  | 0.75  | 0.35  | 0.43  | 0.51  | 0.59  |
|                  | PI                |           | 2.18      | 2.18  | 2.18  | 2.18  | 2.18  | 2.18  | 2.18  | 2.18  | 2.18  | 2.18  | 2.18  | 2.18  | 2.19  | 2.19  | 2.19  | 2.19  |
| 32               | TC                |           | 37085     | 37105 | 37510 | 37914 | 39146 | 39967 | 39967 | 40369 | 40148 | 40148 | 40148 | 40148 | 42857 | 42857 | 42857 | 42857 |
|                  | S/T               |           | 0.73      | 0.81  | 0.90  | 0.98  | 0.58  | 0.66  | 0.74  | 0.83  | 0.51  | 0.59  | 0.68  | 0.75  | 0.35  | 0.43  | 0.51  | 0.59  |
|                  | PI                |           | 2.19      | 2.19  | 2.19  | 2.19  | 2.19  | 2.19  | 2.19  | 2.19  | 2.19  | 2.19  | 2.19  | 2.19  | 2.20  | 2.20  | 2.20  | 2.20  |
| 41               | TC                |           | 36899     | 36919 | 37321 | 37723 | 38998 | 39815 | 39815 | 40216 | 40019 | 40019 | 40019 | 40019 | 42821 | 42821 | 42821 | 42821 |
|                  | S/T               |           | 0.73      | 0.82  | 0.91  | 0.99  | 0.58  | 0.66  | 0.75  | 0.84  | 0.51  | 0.59  | 0.68  | 0.76  | 0.35  | 0.43  | 0.51  | 0.59  |
|                  | PI                |           | 2.21      | 2.21  | 2.21  | 2.21  | 2.20  | 2.20  | 2.20  | 2.20  | 2.21  | 2.21  | 2.21  | 2.21  | 2.21  | 2.21  | 2.21  | 2.21  |
| 50               | TC                |           | 36675     | 36695 | 37095 | 37495 | 38812 | 39625 | 39625 | 40025 | 39852 | 39852 | 39852 | 39852 | 42711 | 42711 | 42711 | 42711 |
|                  | S/T               |           | 0.73      | 0.82  | 0.91  | 0.99  | 0.58  | 0.67  | 0.75  | 0.84  | 0.51  | 0.59  | 0.68  | 0.76  | 0.36  | 0.44  | 0.51  | 0.59  |
|                  | PI                |           | 2.24      | 2.24  | 2.24  | 2.24  | 2.24  | 2.24  | 2.24  | 2.24  | 2.24  | 2.24  | 2.24  | 2.24  | 2.24  | 2.24  | 2.24  | 2.24  |
| 59               | TC                |           | 36377     | 36397 | 36793 | 37190 | 38552 | 39360 | 39360 | 39756 | 39611 | 39611 | 39611 | 39611 | 42529 | 42529 | 42529 | 42529 |
|                  | S/T               |           | 0.74      | 0.83  | 0.92  | 1.00  | 0.59  | 0.67  | 0.76  | 0.85  | 0.52  | 0.60  | 0.69  | 0.77  | 0.36  | 0.44  | 0.52  | 0.60  |
|                  | PI                |           | 2.30      | 2.30  | 2.30  | 2.30  | 2.29  | 2.29  | 2.29  | 2.29  | 2.29  | 2.29  | 2.29  | 2.29  | 2.29  | 2.29  | 2.29  | 2.29  |
| 68               | TC                | 35967     | 35986     | 36379 | 36771 | 38144 | 38144 | 38144 | 38144 | 39222 | 39222 | 39222 | 39222 | 42164 | 42164 | 42164 | 42164 |       |
|                  | S/T               | 0.74      | 0.83      | 0.92  | 1.00  | 0.59  | 0.68  | 0.76  | 0.85  | 0.52  | 0.60  | 0.69  | 0.77  | 0.36  | 0.44  | 0.52  | 0.60  |       |
|                  | PI                | 2.38      | 2.38      | 2.38  | 2.38  | 2.37  | 2.37  | 2.37  | 2.37  | 2.37  | 2.37  | 2.37  | 2.37  | 2.36  | 2.36  | 2.36  | 2.36  |       |
| 77               | TC                | 34319     | 34319     | 34712 | 35104 | 36477 | 36477 | 36477 | 36477 | 37555 | 37555 | 37555 | 37555 | 40399 | 40399 | 40399 | 40399 |       |
|                  | S/T               | 0.75      | 0.84      | 0.94  | 1.00  | 0.59  | 0.68  | 0.78  | 0.87  | 0.52  | 0.61  | 0.70  | 0.79  | 0.35  | 0.44  | 0.52  | 0.60  |       |
|                  | PI                | 2.62      | 2.62      | 2.62  | 2.62  | 2.62  | 2.62  | 2.62  | 2.62  | 2.62  | 2.62  | 2.62  | 2.62  | 2.62  | 2.62  | 2.62  | 2.62  |       |
| 86               | TC                | 32653     | 32653     | 32947 | 33241 | 34810 | 34810 | 34810 | 35202 | 35790 | 35790 | 35790 | 35790 | 38634 | 38634 | 38634 | 38634 |       |
|                  | S/T               | 0.76      | 0.86      | 0.96  | 1.00  | 0.60  | 0.69  | 0.79  | 0.88  | 0.52  | 0.62  | 0.71  | 0.80  | 0.35  | 0.44  | 0.52  | 0.61  |       |
|                  | PI                | 2.87      | 2.87      | 2.87  | 2.87  | 2.88  | 2.88  | 2.88  | 2.88  | 2.88  | 2.88  | 2.88  | 2.88  | 2.89  | 2.89  | 2.89  | 2.89  |       |
| 95               | TC                | 31084     | 31084     | 31378 | 31672 | 33045 | 33045 | 33045 | 33339 | 34123 | 34123 | 34614 | 34123 | 36771 | 36771 | 36771 | 36771 |       |
|                  | S/T               | 0.77      | 0.88      | 0.98  | 1.00  | 0.60  | 0.70  | 0.81  | 0.90  | 0.53  | 0.62  | 0.72  | 0.82  | 0.35  | 0.44  | 0.53  | 0.62  |       |
|                  | PI                | 3.14      | 3.14      | 3.14  | 3.14  | 3.15  | 3.15  | 3.15  | 3.15  | 3.16  | 3.16  | 3.16  | 3.16  | 3.18  | 3.18  | 3.18  | 3.18  |       |
| 104              | TC                | 28978     | 29111     | 29402 | 29694 | 30877 | 30877 | 30877 | 31168 | 31857 | 31857 | 32122 | 31857 | 34391 | 34391 | 34391 | 34391 |       |
|                  | S/T               | 0.80      | 0.91      | 1.00  | 1.00  | 0.62  | 0.73  | 0.84  | 0.95  | 0.53  | 0.64  | 0.75  | 0.86  | 0.34  | 0.44  | 0.54  | 0.64  |       |
|                  | PI                | 3.46      | 3.46      | 3.46  | 3.46  | 3.47  | 3.47  | 3.47  | 3.47  | 3.48  | 3.48  | 3.48  | 3.48  | 3.51  | 3.51  | 3.51  | 3.51  |       |
| 115              | TC                | 26806     | 27098     | 27389 | 27681 | 28652 | 28652 | 28652 | 28943 | 29526 | 29526 | 29526 | 29526 | 31954 | 31954 | 31954 | 31954 |       |
|                  | S/T               | 0.81      | 0.93      | 1.00  | 1.00  | 0.62  | 0.74  | 0.86  | 0.97  | 0.54  | 0.65  | 0.76  | 0.88  | 0.34  | 0.44  | 0.55  | 0.65  |       |
|                  | PI                | 3.85      | 3.85      | 3.85  | 3.85  | 3.86  | 3.86  | 3.86  | 3.86  | 3.87  | 3.87  | 3.87  | 3.87  | 3.91  | 3.91  | 3.91  | 3.91  |       |
| 122              | TC                | 25155     | 25447     | 25738 | 26029 | 26904 | 26904 | 26904 | 27195 | 27778 | 27778 | 27778 | 28069 | 30109 | 30109 | 30109 | 30109 |       |
|                  | S/T               | 0.83      | 0.96      | 1.00  | 1.00  | 0.63  | 0.76  | 0.88  | 1.00  | 0.54  | 0.66  | 0.78  | 0.90  | 0.33  | 0.45  | 0.56  | 0.67  |       |
|                  | PI                | 4.17      | 4.17      | 4.17  | 4.17  | 4.18  | 4.18  | 4.18  | 4.18  | 4.19  | 4.19  | 4.19  | 4.19  | 4.23  | 4.23  | 4.23  | 4.23  |       |

Manufacturer reserves the right to change, at any time, specifications and designs without notice and without obligations.

COOLING PERFORMANCE - 36K HH (Sheet 2 of 4)

| AIRFLOW (CFM) | OUTDOOR (DB F) | ID (WB F) | 60.8  |       |       |       | 64.4  |       |       |       | 66.2  |       |       |       | 71.6  |       |       |       |
|---------------|----------------|-----------|-------|-------|-------|-------|-------|-------|-------|-------|-------|-------|-------|-------|-------|-------|-------|-------|
|               |                | ID (DB F) | 73.4  | 77.0  | 80.6  | 84.2  | 73.4  | 77.0  | 80.6  | 84.2  | 73.4  | 77.0  | 80.6  | 84.2  | 73.4  | 77.0  | 80.6  | 84.2  |
|               |                |           |       |       |       |       |       |       |       |       |       |       |       |       |       |       |       |       |
| 971           | -22            | TC        | 39116 | 39116 | 39534 | 39953 | 40998 | 40998 | 40998 | 41411 | 41885 | 41885 | 41885 | 41885 | 44345 | 44345 | 44345 | 44345 |
|               |                | S/T       | 0.72  | 0.82  | 0.97  | 1.00  | 0.57  | 0.66  | 0.75  | 0.84  | 0.49  | 0.59  | 0.68  | 0.77  | 0.33  | 0.42  | 0.50  | 0.58  |
|               |                | PI        | 2.76  | 2.76  | 2.76  | 2.76  | 2.76  | 2.76  | 2.76  | 2.76  | 2.77  | 2.77  | 2.77  | 2.77  | 2.80  | 2.80  | 2.80  | 2.80  |
|               | -10            | TC        | 38827 | 38827 | 39242 | 39658 | 40765 | 40765 | 40765 | 41176 | 41676 | 41676 | 41676 | 41676 | 44211 | 44211 | 44211 | 44211 |
|               |                | S/T       | 0.73  | 0.82  | 0.97  | 1.00  | 0.57  | 0.66  | 0.76  | 0.84  | 0.50  | 0.59  | 0.68  | 0.78  | 0.34  | 0.42  | 0.51  | 0.58  |
|               |                | PI        | 2.50  | 2.50  | 2.50  | 2.50  | 2.50  | 2.50  | 2.50  | 2.50  | 2.51  | 2.51  | 2.51  | 2.51  | 2.52  | 2.52  | 2.52  | 2.52  |
|               | 0              | TC        | 38586 | 38586 | 38999 | 39412 | 40572 | 40572 | 40572 | 40980 | 41502 | 41502 | 41502 | 41502 | 44099 | 44099 | 44099 | 44099 |
|               |                | S/T       | 0.73  | 0.83  | 0.98  | 1.00  | 0.58  | 0.66  | 0.76  | 0.85  | 0.50  | 0.60  | 0.68  | 0.78  | 0.34  | 0.42  | 0.51  | 0.59  |
|               |                | PI        | 2.38  | 2.38  | 2.38  | 2.38  | 2.38  | 2.38  | 2.38  | 2.38  | 2.39  | 2.39  | 2.39  | 2.39  | 2.40  | 2.40  | 2.40  | 2.40  |
|               | 5              | TC        | 38473 | 38473 | 38885 | 39296 | 40497 | 40497 | 40497 | 40905 | 41439 | 41439 | 41439 | 41439 | 44069 | 44069 | 44069 | 44069 |
|               |                | S/T       | 0.73  | 0.83  | 0.98  | 1.00  | 0.58  | 0.67  | 0.76  | 0.85  | 0.50  | 0.60  | 0.69  | 0.78  | 0.34  | 0.42  | 0.51  | 0.59  |
|               |                | PI        | 2.24  | 2.24  | 2.24  | 2.24  | 2.23  | 2.23  | 2.23  | 2.23  | 2.23  | 2.23  | 2.23  | 2.23  | 2.23  | 2.23  | 2.23  | 2.23  |
|               | 14             | TC        | 38245 | 38245 | 38654 | 39063 | 40270 | 40270 | 40270 | 40676 | 41231 | 41231 | 41231 | 41231 | 43920 | 43920 | 43920 | 43920 |
|               |                | S/T       | 0.74  | 0.83  | 0.99  | 1.00  | 0.58  | 0.67  | 0.77  | 0.85  | 0.50  | 0.60  | 0.69  | 0.79  | 0.34  | 0.43  | 0.51  | 0.59  |
|               |                | PI        | 2.23  | 2.23  | 2.23  | 2.23  | 2.23  | 2.23  | 2.23  | 2.23  | 2.23  | 2.23  | 2.23  | 2.23  | 2.23  | 2.23  | 2.23  | 2.23  |
|               | 23             | TC        | 38017 | 38017 | 38424 | 38830 | 40118 | 40118 | 40118 | 40522 | 41080 | 41080 | 41080 | 41080 | 43808 | 43808 | 43808 | 43808 |
|               |                | S/T       | 0.74  | 0.84  | 0.99  | 1.00  | 0.59  | 0.67  | 0.77  | 0.86  | 0.51  | 0.60  | 0.69  | 0.79  | 0.34  | 0.43  | 0.52  | 0.59  |
|               |                | PI        | 2.22  | 2.22  | 2.22  | 2.22  | 2.22  | 2.22  | 2.22  | 2.22  | 2.23  | 2.23  | 2.23  | 2.23  | 2.24  | 2.24  | 2.24  | 2.24  |
|               | 32             | TC        | 37827 | 37827 | 38232 | 38636 | 39967 | 39967 | 39967 | 40369 | 40967 | 40967 | 40967 | 40967 | 43771 | 43771 | 43771 | 43771 |
|               |                | S/T       | 0.74  | 0.84  | 1.00  | 1.00  | 0.59  | 0.68  | 0.77  | 0.86  | 0.51  | 0.61  | 0.70  | 0.79  | 0.34  | 0.43  | 0.52  | 0.60  |
|               |                | PI        | 2.23  | 2.23  | 2.23  | 2.23  | 2.23  | 2.23  | 2.23  | 2.23  | 2.24  | 2.24  | 2.24  | 2.24  | 2.24  | 2.24  | 2.24  | 2.24  |
|               | 41             | TC        | 37637 | 37637 | 38040 | 38442 | 39815 | 39815 | 39815 | 40216 | 40834 | 40834 | 40834 | 40834 | 43734 | 43734 | 43734 | 43734 |
|               |                | S/T       | 0.75  | 0.85  | 1.00  | 1.00  | 0.59  | 0.68  | 0.78  | 0.87  | 0.51  | 0.61  | 0.70  | 0.80  | 0.34  | 0.43  | 0.52  | 0.60  |
|               |                | PI        | 2.25  | 2.25  | 2.25  | 2.25  | 2.25  | 2.25  | 2.25  | 2.25  | 2.26  | 2.26  | 2.26  | 2.26  | 2.26  | 2.26  | 2.26  | 2.26  |
|               | 50             | TC        | 37409 | 37409 | 37809 | 38209 | 39625 | 39625 | 39625 | 40025 | 40664 | 40664 | 40664 | 40664 | 43622 | 43622 | 43622 | 43622 |
|               |                | S/T       | 0.75  | 0.85  | 1.00  | 1.00  | 0.59  | 0.68  | 0.78  | 0.87  | 0.51  | 0.61  | 0.70  | 0.80  | 0.35  | 0.44  | 0.52  | 0.60  |
|               |                | PI        | 2.29  | 2.29  | 2.29  | 2.29  | 2.29  | 2.29  | 2.29  | 2.29  | 2.29  | 2.29  | 2.29  | 2.29  | 2.29  | 2.29  | 2.29  | 2.29  |
|               | 59             | TC        | 37105 | 37105 | 37502 | 37899 | 39360 | 39360 | 39360 | 39756 | 40419 | 40419 | 40419 | 40419 | 43436 | 43436 | 43436 | 43436 |
|               |                | S/T       | 0.76  | 0.86  | 0.96  | 1.00  | 0.60  | 0.69  | 0.79  | 0.88  | 0.52  | 0.62  | 0.71  | 0.81  | 0.35  | 0.44  | 0.53  | 0.61  |
|               |                | PI        | 2.35  | 2.35  | 2.35  | 2.35  | 2.34  | 2.34  | 2.34  | 2.34  | 2.34  | 2.34  | 2.34  | 2.34  | 2.34  | 2.34  | 2.34  | 2.34  |
|               | 68             | TC        | 36687 | 36687 | 37079 | 37471 | 38943 | 38943 | 38943 | 39335 | 40022 | 40022 | 40022 | 40022 | 43063 | 43063 | 43063 | 43063 |
|               |                | S/T       | 0.76  | 0.86  | 0.96  | 1.00  | 0.60  | 0.69  | 0.79  | 0.88  | 0.52  | 0.62  | 0.71  | 0.81  | 0.35  | 0.44  | 0.53  | 0.61  |
|               |                | PI        | 2.43  | 2.43  | 2.43  | 2.43  | 2.42  | 2.42  | 2.42  | 2.42  | 2.42  | 2.42  | 2.42  | 2.42  | 2.41  | 2.41  | 2.41  | 2.41  |
|               | 77             | TC        | 35019 | 35019 | 35411 | 35804 | 37177 | 37177 | 37177 | 37569 | 38256 | 38256 | 38256 | 38256 | 41199 | 41199 | 41199 | 41199 |
|               |                | S/T       | 0.77  | 0.88  | 0.98  | 1.00  | 0.60  | 0.70  | 0.81  | 0.90  | 0.53  | 0.62  | 0.72  | 0.82  | 0.35  | 0.44  | 0.53  | 0.62  |
|               |                | PI        | 2.68  | 2.68  | 2.68  | 2.68  | 2.67  | 2.67  | 2.67  | 2.67  | 2.67  | 2.67  | 2.67  | 2.67  | 2.68  | 2.68  | 2.68  | 2.68  |
|               | 86             | TC        | 33351 | 33646 | 33940 | 34234 | 35510 | 35510 | 35510 | 35902 | 36589 | 36589 | 36589 | 36589 | 39335 | 39335 | 39335 | 39335 |
|               |                | S/T       | 0.78  | 0.89  | 1.00  | 1.00  | 0.61  | 0.72  | 0.82  | 0.92  | 0.53  | 0.63  | 0.73  | 0.84  | 0.34  | 0.44  | 0.54  | 0.63  |
|               |                | PI        | 2.94  | 2.94  | 2.94  | 2.94  | 2.94  | 2.94  | 2.94  | 2.94  | 2.95  | 2.95  | 2.95  | 2.95  | 2.96  | 2.96  | 2.96  | 2.96  |
|               | 95             | TC        | 31684 | 31978 | 32272 | 32567 | 33744 | 33744 | 33744 | 34038 | 34725 | 34725 | 35313 | 34725 | 37471 | 37471 | 37471 | 37471 |
|               |                | S/T       | 0.80  | 0.91  | 1.00  | 1.00  | 0.62  | 0.73  | 0.84  | 0.95  | 0.53  | 0.64  | 0.75  | 0.86  | 0.34  | 0.44  | 0.54  | 0.64  |
|               |                | PI        | 3.21  | 3.21  | 3.21  | 3.21  | 3.22  | 3.22  | 3.22  | 3.22  | 3.23  | 3.23  | 3.23  | 3.23  | 3.23  | 3.23  | 3.23  | 3.23  |
|               | 104            | TC        | 29864 | 30158 | 30453 | 30747 | 31835 | 31835 | 31969 | 32263 | 32772 | 32772 | 33093 | 32906 | 35430 | 35430 | 35430 | 35430 |
|               |                | S/T       | 0.83  | 0.95  | 1.00  | 1.00  | 0.63  | 0.76  | 0.88  | 1.00  | 0.54  | 0.66  | 0.78  | 0.90  | 0.34  | 0.45  | 0.56  | 0.67  |
|               |                | PI        | 3.54  | 3.54  | 3.54  | 3.54  | 3.55  | 3.55  | 3.55  | 3.55  | 3.56  | 3.56  | 3.56  | 3.56  | 3.58  | 3.58  | 3.58  | 3.58  |
|               | 115            | TC        | 27670 | 27964 | 28258 | 28553 | 29534 | 29534 | 29828 | 30123 | 30417 | 30417 | 30417 | 30711 | 32968 | 32968 | 32968 | 32968 |
|               |                | S/T       | 0.84  | 0.97  | 1.00  | 1.00  | 0.64  | 0.77  | 0.89  | 1.00  | 0.55  | 0.67  | 0.80  | 0.92  | 0.33  | 0.45  | 0.56  | 0.68  |
|               |                | PI        | 3.93  | 3.93  | 3.93  | 3.93  | 3.95  | 3.95  | 3.95  | 3.95  | 3.96  | 3.96  | 3.96  | 3.96  | 3.99  | 3.99  | 3.99  | 3.99  |
|               | 122            | TC        | 25903 | 26198 | 26492 | 26787 | 27768 | 27768 | 28062 | 28356 | 28651 | 28651 | 28651 | 28945 | 31104 | 31104 | 31104 | 31104 |
| S/T           |                | 0.87      | 1.00  | 1.00  | 1.00  | 0.65  | 0.79  | 0.92  | 1.00  | 0.55  | 0.69  | 0.82  | 0.94  | 0.33  | 0.45  | 0.57  | 0.91  |       |
| PI            |                | 4.27      | 4.27  | 4.27  | 4.27  | 4.28  | 4.28  | 4.28  | 4.28  | 4.29  | 4.29  | 4.29  | 4.29  | 4.32  | 4.32  | 4.32  | 4.32  |       |

Manufacturer reserves the right to change, at any time, specifications and designs without notice and without obligations.

COOLING PERFORMANCE - 36K HH (Sheet 3 of 4)

| AIRFLOW (CFM) | OUTDOOR (DB F) | ID (WB F) | 60.8  |       |       |       | 64.4  |       |       |       | 66.2  |       |       |       | 71.6  |       |       |       |
|---------------|----------------|-----------|-------|-------|-------|-------|-------|-------|-------|-------|-------|-------|-------|-------|-------|-------|-------|-------|
|               |                | ID (DB F) | 73.4  | 77.0  | 80.6  | 84.2  | 73.4  | 77.0  | 80.6  | 84.2  | 73.4  | 77.0  | 80.6  | 84.2  | 73.4  | 77.0  | 80.6  | 84.2  |
|               |                |           |       |       |       |       |       |       |       |       |       |       |       |       |       |       |       |       |
| 1083          | -22            | TC        | 39848 | 40266 | 40685 | 41103 | 41721 | 41721 | 41721 | 42134 | 42706 | 42706 | 42706 | 42706 | 45153 | 45153 | 45153 | 45153 |
|               |                | S/T       | 0.74  | 0.85  | 1.00  | 1.00  | 0.58  | 0.68  | 0.78  | 0.96  | 0.50  | 0.60  | 0.69  | 0.80  | 0.32  | 0.42  | 0.51  | 0.60  |
|               |                | PI        | 2.76  | 2.76  | 2.76  | 2.76  | 2.76  | 2.76  | 2.76  | 2.76  | 2.77  | 2.77  | 2.77  | 2.77  | 2.80  | 2.80  | 2.80  | 2.80  |
|               | -10            | TC        | 39554 | 39969 | 40384 | 40800 | 41484 | 41484 | 41484 | 41895 | 42493 | 42493 | 42493 | 42493 | 45017 | 45017 | 45017 | 45017 |
|               |                | S/T       | 0.75  | 0.85  | 1.00  | 1.00  | 0.58  | 0.68  | 0.79  | 0.97  | 0.51  | 0.60  | 0.70  | 0.80  | 0.33  | 0.42  | 0.52  | 0.60  |
|               |                | PI        | 2.50  | 2.50  | 2.50  | 2.50  | 2.50  | 2.50  | 2.50  | 2.50  | 2.51  | 2.51  | 2.51  | 2.51  | 2.52  | 2.52  | 2.52  | 2.52  |
|               | 0              | TC        | 39308 | 39721 | 40134 | 40547 | 41287 | 41287 | 41287 | 41696 | 42315 | 42315 | 42315 | 42315 | 44903 | 44903 | 44903 | 44903 |
|               |                | S/T       | 0.75  | 0.86  | 1.00  | 1.00  | 0.59  | 0.68  | 0.79  | 0.97  | 0.51  | 0.61  | 0.70  | 0.81  | 0.33  | 0.42  | 0.52  | 0.61  |
|               |                | PI        | 2.44  | 2.44  | 2.44  | 2.44  | 2.44  | 2.44  | 2.44  | 2.44  | 2.44  | 2.44  | 2.44  | 2.44  | 2.44  | 2.44  | 2.44  | 2.44  |
|               | 5              | TC        | 39194 | 39605 | 40017 | 40428 | 41212 | 41212 | 41212 | 41620 | 42252 | 42252 | 42252 | 42252 | 44872 | 44872 | 44872 | 44872 |
|               |                | S/T       | 0.75  | 0.86  | 1.00  | 1.00  | 0.59  | 0.69  | 0.79  | 0.98  | 0.51  | 0.61  | 0.70  | 0.81  | 0.33  | 0.42  | 0.52  | 0.61  |
|               |                | PI        | 2.29  | 2.29  | 2.29  | 2.29  | 2.29  | 2.29  | 2.29  | 2.29  | 2.28  | 2.28  | 2.28  | 2.28  | 2.28  | 2.28  | 2.28  | 2.28  |
|               | 14             | TC        | 38961 | 39370 | 39779 | 40188 | 40980 | 40980 | 40980 | 41386 | 42040 | 42040 | 42040 | 42040 | 44721 | 44721 | 44721 | 44721 |
|               |                | S/T       | 0.76  | 0.86  | 1.00  | 1.00  | 0.59  | 0.69  | 0.80  | 0.98  | 0.51  | 0.61  | 0.71  | 0.82  | 0.33  | 0.43  | 0.52  | 0.61  |
|               |                | PI        | 2.28  | 2.28  | 2.28  | 2.28  | 2.28  | 2.28  | 2.28  | 2.28  | 2.27  | 2.27  | 2.27  | 2.27  | 2.28  | 2.28  | 2.28  | 2.28  |
|               | 23             | TC        | 38729 | 39135 | 39542 | 39949 | 40826 | 40826 | 40826 | 41230 | 41885 | 41885 | 41885 | 41885 | 44607 | 44607 | 44607 | 44607 |
|               |                | S/T       | 0.76  | 0.87  | 1.00  | 1.00  | 0.59  | 0.69  | 0.80  | 0.99  | 0.52  | 0.61  | 0.71  | 0.82  | 0.33  | 0.43  | 0.53  | 0.61  |
|               |                | PI        | 2.28  | 2.28  | 2.28  | 2.28  | 2.28  | 2.28  | 2.28  | 2.28  | 2.27  | 2.27  | 2.27  | 2.27  | 2.28  | 2.28  | 2.28  | 2.28  |
|               | 32             | TC        | 38535 | 38940 | 39344 | 39749 | 40671 | 40671 | 40671 | 41074 | 41770 | 41770 | 41770 | 41770 | 44569 | 44569 | 44569 | 44569 |
|               |                | S/T       | 0.76  | 0.87  | 1.00  | 1.00  | 0.60  | 0.70  | 0.80  | 0.99  | 0.52  | 0.62  | 0.72  | 0.82  | 0.33  | 0.43  | 0.53  | 0.62  |
|               |                | PI        | 2.29  | 2.29  | 2.29  | 2.29  | 2.29  | 2.29  | 2.29  | 2.29  | 2.28  | 2.28  | 2.28  | 2.28  | 2.29  | 2.29  | 2.29  | 2.29  |
|               | 41             | TC        | 38342 | 38744 | 39147 | 39549 | 40517 | 40517 | 40517 | 40918 | 41635 | 41635 | 41635 | 41635 | 44531 | 44531 | 44531 | 44531 |
|               |                | S/T       | 0.77  | 0.88  | 1.00  | 1.00  | 0.60  | 0.70  | 0.81  | 1.00  | 0.52  | 0.62  | 0.72  | 0.83  | 0.33  | 0.43  | 0.53  | 0.62  |
|               |                | PI        | 2.31  | 2.31  | 2.31  | 2.31  | 2.31  | 2.31  | 2.31  | 2.31  | 2.30  | 2.30  | 2.30  | 2.30  | 2.31  | 2.31  | 2.31  | 2.31  |
|               | 50             | TC        | 38109 | 38509 | 38909 | 39309 | 40324 | 40324 | 40324 | 40723 | 41462 | 41462 | 41462 | 41462 | 44417 | 44417 | 44417 | 44417 |
|               |                | S/T       | 0.77  | 0.88  | 1.00  | 1.00  | 0.60  | 0.70  | 0.81  | 1.00  | 0.52  | 0.62  | 0.72  | 0.83  | 0.34  | 0.44  | 0.53  | 0.62  |
|               |                | PI        | 2.35  | 2.35  | 2.35  | 2.35  | 2.34  | 2.34  | 2.34  | 2.34  | 2.34  | 2.34  | 2.34  | 2.34  | 2.34  | 2.34  | 2.34  | 2.34  |
|               | 59             | TC        | 37799 | 38196 | 38593 | 38990 | 40054 | 40054 | 40054 | 40450 | 41211 | 41211 | 41211 | 41211 | 44227 | 44227 | 44227 | 44227 |
|               |                | S/T       | 0.78  | 0.89  | 1.00  | 1.00  | 0.61  | 0.71  | 0.82  | 0.92  | 0.53  | 0.63  | 0.73  | 0.84  | 0.34  | 0.44  | 0.54  | 0.63  |
|               |                | PI        | 2.40  | 2.40  | 2.40  | 2.40  | 2.40  | 2.40  | 2.40  | 2.40  | 2.39  | 2.39  | 2.39  | 2.39  | 2.39  | 2.39  | 2.39  | 2.39  |
|               | 68             | TC        | 37373 | 37766 | 38158 | 38550 | 39629 | 39629 | 39629 | 40022 | 40807 | 40807 | 40807 | 40807 | 43847 | 43847 | 43847 | 43847 |
|               |                | S/T       | 0.78  | 0.89  | 1.00  | 1.00  | 0.61  | 0.71  | 0.82  | 0.92  | 0.53  | 0.63  | 0.73  | 0.84  | 0.34  | 0.44  | 0.54  | 0.63  |
|               |                | PI        | 2.49  | 2.49  | 2.49  | 2.49  | 2.48  | 2.48  | 2.48  | 2.48  | 2.47  | 2.47  | 2.47  | 2.47  | 2.46  | 2.46  | 2.46  | 2.46  |
|               | 77             | TC        | 35706 | 36098 | 36490 | 36883 | 37864 | 37864 | 37864 | 38256 | 39041 | 39041 | 39041 | 39041 | 41984 | 41984 | 41984 | 41984 |
|               |                | S/T       | 0.79  | 0.91  | 1.00  | 1.00  | 0.62  | 0.73  | 0.84  | 0.94  | 0.53  | 0.64  | 0.75  | 0.86  | 0.34  | 0.44  | 0.54  | 0.64  |
|               |                | PI        | 2.73  | 2.73  | 2.73  | 2.73  | 2.73  | 2.73  | 2.73  | 2.73  | 2.73  | 2.73  | 2.73  | 2.73  | 2.73  | 2.73  | 2.73  | 2.73  |
|               | 86             | TC        | 34038 | 34332 | 34725 | 35117 | 36196 | 36196 | 36196 | 36589 | 37275 | 37275 | 37275 | 37275 | 40120 | 40120 | 40120 | 40120 |
|               |                | S/T       | 0.81  | 0.93  | 1.00  | 1.00  | 0.62  | 0.74  | 0.86  | 0.97  | 0.54  | 0.65  | 0.76  | 0.88  | 0.34  | 0.44  | 0.55  | 0.65  |
|               |                | PI        | 3.00  | 3.00  | 3.00  | 3.00  | 3.01  | 3.01  | 3.01  | 3.01  | 3.01  | 3.01  | 3.01  | 3.01  | 3.02  | 3.02  | 3.02  | 3.02  |
|               | 95             | TC        | 32272 | 32567 | 32861 | 33155 | 34332 | 34332 | 34332 | 34725 | 35411 | 35411 | 36000 | 36392 | 38256 | 38256 | 38256 | 38256 |
|               |                | S/T       | 0.83  | 0.95  | 1.00  | 1.00  | 0.63  | 0.75  | 0.88  | 0.99  | 0.54  | 0.66  | 0.77  | 0.89  | 0.34  | 0.45  | 0.56  | 0.67  |
|               |                | PI        | 3.28  | 3.28  | 3.28  | 3.28  | 3.29  | 3.29  | 3.29  | 3.29  | 3.30  | 3.30  | 3.30  | 3.30  | 3.32  | 3.32  | 3.32  | 3.32  |
|               | 104            | TC        | 30408 | 30702 | 30997 | 31291 | 32379 | 32379 | 32513 | 32861 | 33414 | 33414 | 33735 | 34083 | 36170 | 36170 | 36170 | 36170 |
|               |                | S/T       | 0.86  | 1.00  | 1.00  | 1.00  | 0.65  | 0.78  | 0.91  | 1.00  | 0.55  | 0.68  | 0.81  | 0.94  | 0.33  | 0.45  | 0.57  | 0.90  |
|               |                | PI        | 3.62  | 3.62  | 3.62  | 3.62  | 3.63  | 3.63  | 3.63  | 3.63  | 3.64  | 3.64  | 3.64  | 3.64  | 3.66  | 3.66  | 3.66  | 3.66  |
|               | 115            | TC        | 28160 | 28455 | 28749 | 29043 | 30024 | 30024 | 30319 | 30613 | 31006 | 31006 | 31006 | 31300 | 33655 | 33655 | 33655 | 33655 |
|               |                | S/T       | 0.88  | 1.00  | 1.00  | 1.00  | 0.66  | 0.80  | 0.93  | 1.00  | 0.56  | 0.69  | 0.83  | 0.96  | 0.33  | 0.45  | 0.58  | 0.92  |
|               |                | PI        | 4.02  | 4.02  | 4.02  | 4.02  | 4.04  | 4.04  | 4.04  | 4.04  | 4.05  | 4.05  | 4.05  | 4.05  | 4.08  | 4.08  | 4.08  | 4.08  |
|               | 122            | TC        | 26394 | 26688 | 26983 | 27277 | 28258 | 28258 | 28553 | 28847 | 29239 | 29239 | 29239 | 29534 | 31692 | 31692 | 31692 | 31692 |
|               |                | S/T       | 0.91  | 1.00  | 1.00  | 1.00  | 0.67  | 0.82  | 0.97  | 1.00  | 0.57  | 0.71  | 0.85  | 0.99  | 0.32  | 0.46  | 0.59  | 0.97  |
|               |                | PI        | 4.35  | 4.35  | 4.35  | 4.35  | 4.37  | 4.37  | 4.37  | 4.37  | 4.38  | 4.38  | 4.38  | 4.38  | 4.41  | 4.41  | 4.41  | 4.41  |

COOLING PERFORMANCE - 36K HH (Sheet 4 of 4)

| AIRFLOW (CFM) | OUTDOOR (DB F) | ID (WB F)<br>ID (DB F) | 60.8  |       |       |       | 64.4  |       |       |       | 66.2  |       |       |       | 71.6  |       |       |       |
|---------------|----------------|------------------------|-------|-------|-------|-------|-------|-------|-------|-------|-------|-------|-------|-------|-------|-------|-------|-------|
|               |                |                        | 73.4  | 77.0  | 80.6  | 84.2  | 73.4  | 77.0  | 80.6  | 84.2  | 73.4  | 77.0  | 80.6  | 84.2  | 73.4  | 77.0  | 80.6  | 84.2  |
| 1188          | -22            | TC                     | 40594 | 41451 | 41869 | 42287 | 42457 | 42457 | 42457 | 42869 | 43544 | 43544 | 43544 | 43544 | 45976 | 45976 | 45976 | 45976 |
|               |                | S/T                    | 0.76  | 0.88  | 1.00  | 1.00  | 0.59  | 0.69  | 0.81  | 1.00  | 0.51  | 0.61  | 0.71  | 0.83  | 0.31  | 0.42  | 0.52  | 0.62  |
|               |                | PI                     | 2.35  | 2.35  | 2.35  | 2.35  | 2.34  | 2.34  | 2.34  | 2.34  | 2.32  | 2.32  | 2.32  | 2.32  | 2.31  | 2.31  | 2.31  | 2.31  |
|               | -10            | TC                     | 40294 | 41145 | 41559 | 41974 | 42216 | 42216 | 42216 | 42626 | 43326 | 43326 | 43326 | 43326 | 45837 | 45837 | 45837 | 45837 |
|               |                | S/T                    | 0.77  | 0.88  | 1.00  | 1.00  | 0.59  | 0.70  | 0.81  | 1.00  | 0.52  | 0.61  | 0.72  | 0.83  | 0.32  | 0.42  | 0.53  | 0.62  |
|               |                | PI                     | 2.35  | 2.35  | 2.35  | 2.35  | 2.34  | 2.34  | 2.34  | 2.34  | 2.32  | 2.32  | 2.32  | 2.32  | 2.31  | 2.31  | 2.31  | 2.31  |
|               | 0              | TC                     | 40044 | 40889 | 41302 | 41714 | 42015 | 42015 | 42015 | 42424 | 43145 | 43145 | 43145 | 43145 | 45721 | 45721 | 45721 | 45721 |
|               |                | S/T                    | 0.77  | 0.89  | 1.00  | 1.00  | 0.60  | 0.70  | 0.82  | 1.00  | 0.52  | 0.62  | 0.72  | 0.84  | 0.32  | 0.42  | 0.53  | 0.63  |
|               |                | PI                     | 2.34  | 2.34  | 2.34  | 2.34  | 2.34  | 2.34  | 2.34  | 2.34  | 2.32  | 2.32  | 2.32  | 2.32  | 2.32  | 2.32  | 2.32  | 2.32  |
|               | 5              | TC                     | 39927 | 40770 | 41181 | 41592 | 41938 | 41938 | 41938 | 42346 | 43080 | 43080 | 43080 | 43080 | 45690 | 45690 | 45690 | 45690 |
|               |                | S/T                    | 0.77  | 0.89  | 1.00  | 1.00  | 0.60  | 0.71  | 0.82  | 1.00  | 0.52  | 0.62  | 0.72  | 0.84  | 0.32  | 0.42  | 0.53  | 0.63  |
|               |                | PI                     | 2.35  | 2.35  | 2.35  | 2.35  | 2.34  | 2.34  | 2.34  | 2.34  | 2.32  | 2.32  | 2.32  | 2.32  | 2.32  | 2.32  | 2.32  | 2.32  |
|               | 14             | TC                     | 39690 | 40528 | 40937 | 41346 | 41703 | 41703 | 41703 | 42108 | 42864 | 42864 | 42864 | 42864 | 45536 | 45536 | 45536 | 45536 |
|               |                | S/T                    | 0.78  | 0.89  | 1.00  | 1.00  | 0.60  | 0.71  | 0.83  | 1.00  | 0.52  | 0.62  | 0.73  | 0.85  | 0.32  | 0.43  | 0.53  | 0.63  |
|               |                | PI                     | 2.34  | 2.34  | 2.34  | 2.34  | 2.34  | 2.34  | 2.34  | 2.34  | 2.32  | 2.32  | 2.32  | 2.32  | 2.33  | 2.33  | 2.33  | 2.33  |
|               | 23             | TC                     | 39454 | 40286 | 40693 | 41099 | 41545 | 41545 | 41545 | 41950 | 42707 | 42707 | 42707 | 42707 | 45420 | 45420 | 45420 | 45420 |
|               |                | S/T                    | 0.78  | 0.90  | 1.00  | 1.00  | 0.60  | 0.71  | 0.83  | 1.00  | 0.53  | 0.62  | 0.73  | 0.85  | 0.32  | 0.43  | 0.54  | 0.63  |
|               |                | PI                     | 2.33  | 2.33  | 2.33  | 2.33  | 2.33  | 2.33  | 2.33  | 2.33  | 2.32  | 2.32  | 2.32  | 2.32  | 2.33  | 2.33  | 2.33  | 2.33  |
|               | 32             | TC                     | 39256 | 40085 | 40489 | 40893 | 41388 | 41388 | 41388 | 41791 | 42589 | 42589 | 42589 | 42589 | 45381 | 45381 | 45381 | 45381 |
|               |                | S/T                    | 0.78  | 0.90  | 1.00  | 1.00  | 0.61  | 0.72  | 0.83  | 1.00  | 0.53  | 0.63  | 0.74  | 0.85  | 0.32  | 0.43  | 0.54  | 0.64  |
|               |                | PI                     | 2.34  | 2.34  | 2.34  | 2.34  | 2.34  | 2.34  | 2.34  | 2.34  | 2.33  | 2.33  | 2.33  | 2.33  | 2.34  | 2.34  | 2.34  | 2.34  |
|               | 41             | TC                     | 39059 | 39884 | 40286 | 40688 | 41231 | 41231 | 41231 | 41632 | 42451 | 42451 | 42451 | 42451 | 45342 | 45342 | 45342 | 45342 |
|               |                | S/T                    | 0.79  | 0.91  | 0.99  | 0.99  | 0.61  | 0.72  | 0.84  | 1.00  | 0.53  | 0.63  | 0.74  | 0.86  | 0.33  | 0.43  | 0.54  | 0.64  |
|               |                | PI                     | 2.36  | 2.36  | 2.36  | 2.36  | 2.36  | 2.36  | 2.36  | 2.36  | 2.35  | 2.35  | 2.35  | 2.35  | 2.35  | 2.35  | 2.35  | 2.35  |
|               | 50             | TC                     | 38822 | 39642 | 40042 | 40441 | 41035 | 41035 | 41035 | 41434 | 42275 | 42275 | 42275 | 42275 | 45226 | 45226 | 45226 | 45226 |
|               |                | S/T                    | 0.79  | 0.91  | 1.00  | 1.00  | 0.61  | 0.72  | 0.84  | 1.00  | 0.53  | 0.63  | 0.74  | 0.86  | 0.33  | 0.44  | 0.54  | 0.64  |
|               |                | PI                     | 2.40  | 2.40  | 2.40  | 2.40  | 2.40  | 2.40  | 2.40  | 2.40  | 2.38  | 2.38  | 2.38  | 2.38  | 2.38  | 2.38  | 2.38  | 2.38  |
|               | 59             | TC                     | 38507 | 39320 | 39716 | 40113 | 40760 | 40760 | 40760 | 41157 | 42019 | 42019 | 42019 | 42019 | 45033 | 45033 | 45033 | 45033 |
|               |                | S/T                    | 0.80  | 0.92  | 1.00  | 1.00  | 0.62  | 0.73  | 0.85  | 0.96  | 0.54  | 0.64  | 0.75  | 0.87  | 0.33  | 0.44  | 0.55  | 0.65  |
|               |                | PI                     | 2.46  | 2.46  | 2.46  | 2.46  | 2.45  | 2.45  | 2.45  | 2.45  | 2.44  | 2.44  | 2.44  | 2.44  | 2.43  | 2.43  | 2.43  | 2.43  |
|               | 68             | TC                     | 38073 | 38876 | 39268 | 39660 | 40328 | 40328 | 40328 | 40720 | 41607 | 41607 | 41607 | 41607 | 44646 | 44646 | 44646 | 44646 |
|               |                | S/T                    | 0.80  | 0.92  | 1.00  | 1.00  | 0.62  | 0.73  | 0.85  | 0.96  | 0.54  | 0.64  | 0.75  | 0.87  | 0.33  | 0.44  | 0.55  | 0.65  |
|               |                | PI                     | 2.55  | 2.55  | 2.55  | 2.55  | 2.54  | 2.54  | 2.54  | 2.54  | 2.52  | 2.52  | 2.52  | 2.52  | 2.51  | 2.51  | 2.51  | 2.51  |
|               | 77             | TC                     | 36406 | 37210 | 37602 | 37994 | 38563 | 38563 | 38563 | 38955 | 39842 | 39842 | 39842 | 39842 | 42783 | 42783 | 42783 | 42783 |
|               |                | S/T                    | 0.81  | 0.94  | 1.00  | 1.00  | 0.64  | 0.76  | 0.87  | 0.98  | 0.53  | 0.66  | 0.78  | 0.90  | 0.33  | 0.44  | 0.55  | 0.66  |
|               |                | PI                     | 2.78  | 2.78  | 2.78  | 2.78  | 2.79  | 2.79  | 2.79  | 2.79  | 2.79  | 2.79  | 2.79  | 2.79  | 2.78  | 2.78  | 2.78  | 2.78  |
|               | 86             | TC                     | 34739 | 35033 | 35528 | 36023 | 36896 | 36896 | 36896 | 37288 | 37975 | 37975 | 37975 | 37975 | 40920 | 40920 | 40920 | 40920 |
|               |                | S/T                    | 0.84  | 0.97  | 1.00  | 1.00  | 0.63  | 0.76  | 0.90  | 1.00  | 0.55  | 0.67  | 0.79  | 0.92  | 0.34  | 0.44  | 0.56  | 0.67  |
|               |                | PI                     | 3.06  | 3.06  | 3.06  | 3.06  | 3.08  | 3.08  | 3.08  | 3.08  | 3.07  | 3.07  | 3.07  | 3.07  | 3.08  | 3.08  | 3.08  | 3.08  |
|               | 95             | TC                     | 32872 | 33166 | 33460 | 33755 | 34931 | 34931 | 34931 | 35425 | 36112 | 36112 | 36700 | 38140 | 39057 | 39057 | 39057 | 39057 |
|               |                | S/T                    | 0.86  | 0.99  | 1.00  | 1.00  | 0.64  | 0.77  | 0.92  | 1.00  | 0.55  | 0.68  | 0.79  | 0.92  | 0.34  | 0.46  | 0.58  | 0.70  |
|               |                | PI                     | 3.35  | 3.35  | 3.35  | 3.35  | 3.36  | 3.36  | 3.36  | 3.36  | 3.37  | 3.37  | 3.37  | 3.37  | 3.41  | 3.41  | 3.41  | 3.41  |
|               | 104            | TC                     | 30962 | 31256 | 31551 | 31845 | 32933 | 32933 | 33066 | 33470 | 34069 | 34069 | 34390 | 35303 | 36926 | 36926 | 36926 | 36926 |
|               |                | S/T                    | 0.89  | 1.00  | 1.00  | 1.00  | 0.67  | 0.80  | 0.94  | 1.00  | 0.56  | 0.70  | 0.84  | 0.98  | 0.32  | 0.45  | 0.58  | 1.00  |
|               |                | PI                     | 3.69  | 3.69  | 3.69  | 3.69  | 3.71  | 3.71  | 3.71  | 3.71  | 3.72  | 3.72  | 3.72  | 3.72  | 3.75  | 3.75  | 3.75  | 3.75  |
|               | 115            | TC                     | 28659 | 28954 | 29248 | 29542 | 30523 | 30523 | 30817 | 31112 | 31606 | 31606 | 31606 | 31900 | 34356 | 34356 | 34356 | 34356 |
|               |                | S/T                    | 0.92  | 1.00  | 1.00  | 1.00  | 0.68  | 0.83  | 0.97  | 1.00  | 0.57  | 0.71  | 0.86  | 1.00  | 0.33  | 0.45  | 0.60  | 1.00  |
|               |                | PI                     | 4.11  | 4.11  | 4.11  | 4.11  | 4.13  | 4.13  | 4.13  | 4.13  | 4.14  | 4.14  | 4.14  | 4.14  | 4.17  | 4.17  | 4.17  | 4.17  |
| 122           | TC             | 26894                  | 27188 | 27482 | 27777 | 28758 | 28758 | 29052 | 29346 | 29840 | 29840 | 29840 | 30135 | 32292 | 32292 | 32292 | 32292 |       |
|               | S/T            | 0.94                   | 1.00  | 1.00  | 1.00  | 0.69  | 0.85  | 1.00  | 1.00  | 0.59  | 0.73  | 0.88  | 1.00  | 0.31  | 0.47  | 0.61  | 1.00  |       |
|               | PI             | 4.44                   | 4.44  | 4.44  | 4.44  | 4.47  | 4.47  | 4.47  | 4.47  | 4.47  | 4.47  | 4.47  | 4.47  | 4.50  | 4.50  | 4.50  | 4.50  |       |

LEGEND

- TC - Total Cooling Capacity (BTU/hr)
- S/T - Sensible Cooling Capacity Ratio
- PI - Power Input (kW)
- Gray shaded area is Extrapolated Data

Manufacturer reserves the right to change, at any time, specifications and designs without notice and without obligations.

HEATING PERFORMANCE AT INDOOR DRY BULB TEMPERATURE- 36K HH (Sheet 1 of 2)

| AIRFLOW (CFM) | HEATING PERFORMANCE AT INDOOR DRY BULB TEMPERATURE |                              |       |       |       |                             |      |      |      |
|---------------|--|------------------------------|-------|-------|-------|-----------------------------|------|------|------|
|               | OUTDOOR (DB F)                                     | TC: TOTAL CAPACITY IN BTU/HR |       |       |       | PI?TOTAL POWER IN KILOWATTS |      |      |      |
|               |  | Indoor Conditions (DB F)     |       |       |       | Indoor Conditions (DB F)    |      |      |      |
|               |  | 60.8                         | 68.0  | 71.6  | 75.2  | 60.8                        | 68.0 | 71.6 | 75.2 |
| 865           | -22.0  | 30766                        | 30560 | 30422 | 30354 | 4.12                        | 4.28 | 4.11 | 4.10 |
|               | -10.0  | 35399                        | 35162 | 35004 | 34925 | 4.83                        | 5.02 | 4.81 | 4.80 |
|               | 0.0  | 39261                        | 38998 | 38823 | 38735 | 5.42                        | 5.63 | 5.40 | 5.39 |
|               | 5.0  | 41326                        | 41050 | 40865 | 40773 | 5.75                        | 5.96 | 5.72 | 5.71 |
|               | 14.0   | 44128                        | 43833 | 43636 | 43537 | 6.13                        | 6.36 | 6.10 | 6.09 |
|               | 17.0   | 46229                        | 45920 | 45713 | 45610 | 6.51                        | 6.76 | 6.48 | 6.47 |
|               | 22.0   | 44336                        | 44039 | 43842 | 43743 | 6.21                        | 6.18 | 6.16 | 6.14 |
|               | 27.0   | 42456                        | 42060 | 41862 | 41763 | 5.66                        | 5.60 | 5.57 | 5.54 |
|               | 32.0   | 40180                        | 39784 | 39586 | 39388 | 5.10                        | 5.02 | 4.98 | 4.94 |
|               | 37.0   | 38992                        | 38596 | 38398 | 38102 | 4.58                        | 4.47 | 4.42 | 4.36 |
|               | 42.0   | 38992                        | 38596 | 38300 | 38102 | 4.06                        | 3.93 | 3.86 | 3.79 |
|               | 44.6   | 39210                        | 38812 | 39307 | 39010 | 3.80                        | 3.34 | 3.58 | 3.51 |
|               | 52.0   | 38317                        | 37822 | 37525 | 37228 | 3.00                        | 2.82 | 2.73 | 2.64 |
|               | 57.0   | 37228                        | 36634 | 36337 | 36040 | 2.46                        | 2.25 | 2.15 | 2.05 |
|               | 62.0   | 36040                        | 35446 | 35149 | 34752 | 1.92                        | 1.69 | 1.58 | 1.46 |
| 64.4          | 35446  | 34851                        | 34554 | 34257 | 1.67  | 1.42                        | 1.30 | 1.18 |      |
| 971           | -22.0  | 31362                        | 31156 | 31019 | 30881 | 4.16                        | 4.32 | 4.14 | 4.14 |
|               | -10.0  | 36085                        | 35848 | 35691 | 35533 | 4.88                        | 5.06 | 4.85 | 4.85 |
|               | 0.0  | 40022                        | 39759 | 39584 | 39409 | 5.47                        | 5.68 | 5.45 | 5.44 |
|               | 5.0  | 42127                        | 41850 | 41666 | 41482 | 5.80                        | 6.02 | 5.77 | 5.76 |
|               | 14.0   | 44983                        | 44688 | 44491 | 44294 | 6.18                        | 6.42 | 6.16 | 6.15 |
|               | 17.0   | 47125                        | 46816 | 46610 | 46403 | 6.57                        | 6.82 | 6.54 | 6.53 |
|               | 22.0   | 45227                        | 44930 | 44732 | 44534 | 6.27                        | 6.24 | 6.22 | 6.20 |
|               | 27.0   | 43347                        | 42951 | 42753 | 42555 | 5.71                        | 5.65 | 5.62 | 5.60 |
|               | 32.0   | 40972                        | 40576 | 40378 | 40081 | 5.15                        | 5.07 | 5.03 | 4.99 |
|               | 37.0   | 39784                        | 39388 | 39091 | 38893 | 4.62                        | 4.51 | 4.46 | 4.40 |
|               | 42.0   | 39784                        | 39388 | 39091 | 38893 | 4.10                        | 3.96 | 3.90 | 3.83 |
|               | 44.6   | 40002                        | 39604 | 40099 | 39802 | 3.84                        | 3.37 | 3.62 | 3.54 |
|               | 52.0   | 39109                        | 38515 | 38317 | 38020 | 3.02                        | 2.84 | 2.76 | 2.66 |
|               | 57.0   | 37921                        | 37327 | 37030 | 36733 | 2.48                        | 2.27 | 2.17 | 2.06 |
|               | 62.0   | 36832                        | 36139 | 35842 | 35545 | 1.93                        | 1.70 | 1.59 | 1.47 |
| 64.4          | 36238  | 35545                        | 35248 | 34950 | 1.68  | 1.43                        | 1.31 | 1.18 |      |



HEATING PERFORMANCE AT INDOOR DRY BULB TEMPERATURE- 36K HH (Sheet 2 of 2)

| AIRFLOW<br>(CFM) | HEATING PERFORMANCE AT INDOOR DRY BULB TEMPERATURE |                              |       |       |       |                             |      |      |      |
|------------------|--|------------------------------|-------|-------|-------|-----------------------------|------|------|------|
|                  | OUTDOOR<br>(DB F)                                  | TC: TOTAL CAPACITY IN BTU/HR |       |       |       | PI?TOTAL POWER IN KILOWATTS |      |      |      |
|                  |  | Indoor Conditions (DB F)     |       |       |       | Indoor Conditions (DB F)    |      |      |      |
|                  |  | 60.8                         | 68.0  | 71.6  | 75.2  | 60.8                        | 68.0 | 71.6 | 75.2 |
| 1083             | -22.0  | 31688                        | 31482 | 31345 | 31207 | 4.21                        | 4.37 | 4.19 | 4.18 |
|                  | -10.0  | 36460                        | 36223 | 36065 | 35908 | 4.93                        | 5.12 | 4.91 | 4.90 |
|                  | 0.0  | 40437                        | 40175 | 40000 | 39825 | 5.53                        | 5.74 | 5.50 | 5.50 |
|                  | 5.0  | 42564                        | 42288 | 42104 | 41920 | 5.86                        | 6.09 | 5.83 | 5.82 |
|                  | 14.0   | 45450                        | 45155 | 44958 | 44762 | 6.25                        | 6.49 | 6.22 | 6.21 |
|                  | 17.0   | 47615                        | 47305 | 47099 | 46893 | 6.64                        | 6.90 | 6.61 | 6.60 |
|                  | 22.0   | 45722                        | 45425 | 45227 | 45029 | 6.33                        | 6.30 | 6.29 | 6.27 |
|                  | 27.0   | 43743                        | 43347 | 43149 | 42951 | 5.77                        | 5.71 | 5.68 | 5.65 |
|                  | 32.0   | 41367                        | 40972 | 40774 | 40576 | 5.20                        | 5.12 | 5.08 | 5.04 |
|                  | 37.0   | 40180                        | 39784 | 39487 | 39289 | 4.67                        | 4.56 | 4.50 | 4.45 |
|                  | 42.0   | 40279                        | 39784 | 39487 | 39289 | 4.14                        | 4.00 | 3.93 | 3.86 |
|                  | 44.6   | 40498                        | 40000 | 40495 | 40198 | 3.87                        | 3.40 | 3.65 | 3.58 |
|                  | 52.0   | 39505                        | 38911 | 38614 | 38416 | 3.05                        | 2.86 | 2.78 | 2.68 |
|                  | 57.0   | 38317                        | 37723 | 37426 | 37129 | 2.50                        | 2.29 | 2.18 | 2.08 |
|                  | 62.0   | 37129                        | 36535 | 36238 | 35842 | 1.95                        | 1.71 | 1.60 | 1.48 |
| 64.4             | 36634  | 35941                        | 35644 | 35248 | 1.69  | 1.44                        | 1.31 | 1.18 |      |
| 1188             | -22.0  | 32017                        | 31811 | 31674 | 31537 | 4.25                        | 4.42 | 4.23 | 4.23 |
|                  | -10.0  | 36839                        | 36602 | 36444 | 36287 | 4.98                        | 5.17 | 4.96 | 4.95 |
|                  | 0.0  | 40857                        | 40595 | 40420 | 40245 | 5.59                        | 5.80 | 5.56 | 5.55 |
|                  | 5.0  | 43007                        | 42730 | 42546 | 42362 | 5.92                        | 6.15 | 5.89 | 5.89 |
|                  | 14.0   | 45922                        | 45627 | 45431 | 45234 | 6.32                        | 6.56 | 6.29 | 6.28 |
|                  | 17.0   | 48109                        | 47800 | 47594 | 47388 | 6.71                        | 6.97 | 6.68 | 6.67 |
|                  | 22.0   | 46222                        | 45925 | 45727 | 45529 | 6.39                        | 6.36 | 6.36 | 6.34 |
|                  | 27.0   | 44142                        | 43746 | 43548 | 43350 | 5.83                        | 5.77 | 5.74 | 5.70 |
|                  | 32.0   | 41767                        | 41371 | 41173 | 41077 | 5.26                        | 5.17 | 5.13 | 5.09 |
|                  | 37.0   | 40580                        | 40184 | 39887 | 39689 | 4.72                        | 4.61 | 4.54 | 4.50 |
|                  | 42.0   | 40780                        | 40184 | 39887 | 39689 | 4.18                        | 4.04 | 3.96 | 3.89 |
|                  | 44.6   | 40999                        | 40400 | 40895 | 40598 | 3.90                        | 3.43 | 3.68 | 3.62 |
|                  | 52.0   | 39905                        | 39311 | 38913 | 38816 | 3.08                        | 2.88 | 2.80 | 2.70 |
|                  | 57.0   | 38717                        | 38123 | 37826 | 37529 | 2.52                        | 2.31 | 2.19 | 2.10 |
|                  | 62.0   | 37428                        | 36935 | 36638 | 36141 | 1.97                        | 1.72 | 1.61 | 1.49 |
| 64.4             | 37034  | 36341                        | 36044 | 35547 | 1.70  | 1.45                        | 1.31 | 1.18 |      |

Gray shaded area is Extrapolated Data

COOLING PERFORMANCE - 48K (Sheet 1 of 4)

| AIRFLOW (CFM) | OUTDOOR (DB F) | ID (WB F) | 60.8  |       |       |       | 64.4  |       |       |       | 66.2  |       |       |       | 71.6  |       |       |       |
|---------------|----------------|-----------|-------|-------|-------|-------|-------|-------|-------|-------|-------|-------|-------|-------|-------|-------|-------|-------|
|               |                | ID (DB F) | 73.4  | 77.0  | 80.6  | 84.2  | 73.4  | 77.0  | 80.6  | 84.2  | 73.4  | 77.0  | 80.6  | 84.2  | 73.4  | 77.0  | 80.6  | 84.2  |
| 906           | -22            | TC        | 50094 | 50094 | 50094 | 50617 | 52457 | 53509 | 53509 | 53509 | 53687 | 53687 | 53687 | 53687 | 56766 | 56766 | 56766 | 56766 |
|               |                | S/T       | 0.67  | 0.73  | 0.81  | 0.87  | 0.54  | 0.61  | 0.68  | 0.74  | 0.48  | 0.55  | 0.62  | 0.68  | 0.35  | 0.42  | 0.48  | 0.54  |
|               |                | PI        | 4.25  | 4.26  | 4.26  | 4.25  | 4.26  | 4.26  | 4.26  | 4.26  | 4.27  | 4.27  | 4.27  | 4.27  | 4.31  | 4.31  | 4.31  | 4.31  |
|               | -10            | TC        | 49724 | 49724 | 49724 | 50243 | 52159 | 53206 | 53206 | 53206 | 53419 | 53419 | 53419 | 53419 | 56594 | 56594 | 56594 | 56594 |
|               |                | S/T       | 0.67  | 0.74  | 0.81  | 0.88  | 0.55  | 0.61  | 0.68  | 0.75  | 0.49  | 0.56  | 0.62  | 0.69  | 0.35  | 0.42  | 0.48  | 0.55  |
|               |                | PI        | 3.84  | 3.85  | 3.85  | 3.84  | 3.85  | 3.85  | 3.85  | 3.85  | 3.85  | 3.85  | 3.85  | 3.85  | 3.88  | 3.88  | 3.88  | 3.88  |
|               | 0              | TC        | 49415 | 49415 | 49415 | 49931 | 51911 | 52953 | 52953 | 52953 | 53195 | 53195 | 53195 | 53195 | 56451 | 56451 | 56451 | 56451 |
|               |                | S/T       | 0.67  | 0.74  | 0.82  | 0.89  | 0.55  | 0.62  | 0.68  | 0.75  | 0.49  | 0.56  | 0.63  | 0.69  | 0.36  | 0.42  | 0.48  | 0.55  |
|               |                | PI        | 3.59  | 3.59  | 3.59  | 3.59  | 3.59  | 3.59  | 3.59  | 3.59  | 3.59  | 3.59  | 3.59  | 3.59  | 3.60  | 3.60  | 3.60  | 3.60  |
|               | 5              | TC        | 49271 | 49271 | 49271 | 49785 | 51816 | 52856 | 52856 | 52856 | 53115 | 53115 | 53115 | 53115 | 56412 | 56412 | 56412 | 56412 |
|               |                | S/T       | 0.68  | 0.74  | 0.82  | 0.89  | 0.55  | 0.62  | 0.69  | 0.75  | 0.49  | 0.56  | 0.63  | 0.70  | 0.36  | 0.42  | 0.48  | 0.55  |
|               |                | PI        | 3.37  | 3.37  | 3.37  | 3.37  | 3.36  | 3.36  | 3.36  | 3.36  | 3.35  | 3.35  | 3.35  | 3.35  | 3.35  | 3.35  | 3.35  | 3.35  |
|               | 14             | TC        | 48979 | 48979 | 48979 | 49490 | 51525 | 52559 | 52559 | 52559 | 52849 | 52849 | 52849 | 52849 | 56222 | 56222 | 56222 | 56222 |
|               |                | S/T       | 0.68  | 0.75  | 0.82  | 0.89  | 0.55  | 0.62  | 0.69  | 0.76  | 0.49  | 0.56  | 0.63  | 0.70  | 0.36  | 0.43  | 0.49  | 0.55  |
|               |                | PI        | 3.35  | 3.35  | 3.35  | 3.35  | 3.35  | 3.35  | 3.35  | 3.35  | 3.35  | 3.35  | 3.35  | 3.35  | 3.36  | 3.36  | 3.36  | 3.36  |
|               | 23             | TC        | 48687 | 48687 | 48687 | 49195 | 51331 | 52361 | 52361 | 52361 | 52655 | 52655 | 52655 | 52655 | 56078 | 56078 | 56078 | 56078 |
|               |                | S/T       | 0.68  | 0.75  | 0.83  | 0.90  | 0.56  | 0.63  | 0.69  | 0.76  | 0.50  | 0.57  | 0.63  | 0.70  | 0.36  | 0.43  | 0.49  | 0.56  |
|               |                | PI        | 3.35  | 3.35  | 3.35  | 3.35  | 3.34  | 3.34  | 3.34  | 3.34  | 3.35  | 3.35  | 3.35  | 3.35  | 3.36  | 3.36  | 3.36  | 3.36  |
|               | 32             | TC        | 48443 | 48443 | 48443 | 48949 | 51137 | 52163 | 52163 | 52163 | 52510 | 52510 | 52510 | 52510 | 56031 | 56031 | 56031 | 56031 |
|               |                | S/T       | 0.69  | 0.75  | 0.83  | 0.90  | 0.56  | 0.63  | 0.70  | 0.76  | 0.50  | 0.57  | 0.64  | 0.71  | 0.36  | 0.43  | 0.49  | 0.56  |
|               |                | PI        | 3.36  | 3.36  | 3.36  | 3.36  | 3.36  | 3.36  | 3.36  | 3.36  | 3.36  | 3.36  | 3.36  | 3.36  | 3.37  | 3.37  | 3.37  | 3.37  |
|               | 41             | TC        | 48200 | 48200 | 48200 | 48703 | 50943 | 51965 | 51965 | 51965 | 52340 | 52340 | 52340 | 52340 | 55983 | 55983 | 55983 | 55983 |
|               |                | S/T       | 0.69  | 0.76  | 0.84  | 0.91  | 0.56  | 0.63  | 0.70  | 0.77  | 0.50  | 0.57  | 0.64  | 0.71  | 0.36  | 0.43  | 0.49  | 0.56  |
|               |                | PI        | 3.39  | 3.39  | 3.39  | 3.39  | 3.39  | 3.39  | 3.39  | 3.39  | 3.39  | 3.39  | 3.39  | 3.39  | 3.40  | 3.40  | 3.40  | 3.40  |
|               | 50             | TC        | 47908 | 47908 | 47908 | 48408 | 50701 | 51718 | 51718 | 51718 | 52122 | 52122 | 52122 | 52122 | 55840 | 55840 | 55840 | 55840 |
|               |                | S/T       | 0.69  | 0.76  | 0.84  | 0.91  | 0.56  | 0.64  | 0.70  | 0.77  | 0.50  | 0.57  | 0.64  | 0.71  | 0.37  | 0.44  | 0.50  | 0.56  |
|               |                | PI        | 3.45  | 3.45  | 3.45  | 3.45  | 3.44  | 3.44  | 3.44  | 3.44  | 3.44  | 3.44  | 3.44  | 3.44  | 3.44  | 3.44  | 3.44  | 3.44  |
|               | 59             | TC        | 47518 | 47518 | 47518 | 48014 | 50361 | 51371 | 51371 | 51371 | 51807 | 51807 | 51807 | 51807 | 55601 | 55601 | 55601 | 55601 |
|               |                | S/T       | 0.70  | 0.77  | 0.85  | 0.92  | 0.57  | 0.64  | 0.71  | 0.78  | 0.51  | 0.58  | 0.65  | 0.72  | 0.37  | 0.44  | 0.50  | 0.57  |
|               |                | PI        | 3.53  | 3.54  | 3.54  | 3.53  | 3.52  | 3.52  | 3.52  | 3.52  | 3.51  | 3.51  | 3.51  | 3.51  | 3.51  | 3.51  | 3.51  | 3.51  |
|               | 68             | TC        | 46983 | 46983 | 46983 | 47473 | 49827 | 49827 | 49827 | 49827 | 51299 | 51299 | 51299 | 51299 | 55124 | 55124 | 55124 | 55124 |
|               |                | S/T       | 0.70  | 0.77  | 0.85  | 0.92  | 0.57  | 0.64  | 0.71  | 0.78  | 0.51  | 0.58  | 0.65  | 0.72  | 0.37  | 0.44  | 0.50  | 0.57  |
|               |                | PI        | 3.65  | 3.66  | 3.66  | 3.65  | 3.64  | 3.64  | 3.64  | 3.64  | 3.63  | 3.63  | 3.63  | 3.63  | 3.62  | 3.62  | 3.62  | 3.62  |
|               | 77             | TC        | 44825 | 44825 | 44825 | 45315 | 47571 | 47571 | 47571 | 47571 | 49043 | 49043 | 49043 | 49043 | 52770 | 52770 | 52770 | 52770 |
|               |                | S/T       | 0.70  | 0.78  | 0.86  | 0.94  | 0.57  | 0.65  | 0.72  | 0.80  | 0.51  | 0.58  | 0.66  | 0.73  | 0.37  | 0.44  | 0.50  | 0.57  |
|               |                | PI        | 4.02  | 4.02  | 4.02  | 4.02  | 4.02  | 4.02  | 4.02  | 4.02  | 4.02  | 4.02  | 4.02  | 4.02  | 4.02  | 4.02  | 4.02  | 4.02  |
|               | 86             | TC        | 42667 | 42667 | 42667 | 43059 | 45413 | 45413 | 45413 | 45413 | 46787 | 46787 | 46787 | 46787 | 50416 | 50416 | 50416 | 50416 |
|               |                | S/T       | 0.71  | 0.79  | 0.88  | 0.96  | 0.58  | 0.65  | 0.73  | 0.81  | 0.51  | 0.59  | 0.66  | 0.74  | 0.37  | 0.44  | 0.51  | 0.58  |
|               |                | PI        | 4.40  | 4.40  | 4.40  | 4.40  | 4.41  | 4.41  | 4.41  | 4.41  | 4.42  | 4.42  | 4.42  | 4.42  | 4.44  | 4.44  | 4.44  | 4.44  |
|               | 95             | TC        | 40607 | 40607 | 41000 | 41392 | 43157 | 43157 | 43157 | 43157 | 44531 | 44531 | 45217 | 44531 | 48062 | 48062 | 48062 | 48062 |
|               |                | S/T       | 0.72  | 0.81  | 0.89  | 0.97  | 0.58  | 0.66  | 0.74  | 0.82  | 0.51  | 0.59  | 0.67  | 0.75  | 0.36  | 0.44  | 0.51  | 0.58  |
|               |                | PI        | 4.83  | 4.83  | 4.83  | 4.83  | 4.84  | 4.84  | 4.84  | 4.84  | 4.85  | 4.85  | 4.86  | 4.85  | 4.88  | 4.88  | 4.88  | 4.88  |
| 104           | TC             | 38221     | 38221 | 38613 | 39005 | 40680 | 40680 | 40680 | 40680 | 41963 | 41963 | 42338 | 41963 | 45359 | 45359 | 45359 | 45359 |       |
|               | S/T            | 0.74      | 0.84  | 0.93  | 1.00  | 0.59  | 0.68  | 0.77  | 0.86  | 0.52  | 0.60  | 0.69  | 0.78  | 0.36  | 0.44  | 0.52  | 0.60  |       |
|               | PI             | 5.33      | 5.33  | 5.33  | 5.33  | 5.35  | 5.35  | 5.35  | 5.35  | 5.36  | 5.36  | 5.37  | 5.36  | 5.40  | 5.40  | 5.40  | 5.40  |       |
| 115           | TC             | 35387     | 35387 | 35779 | 36171 | 37740 | 37740 | 37740 | 37740 | 38916 | 38916 | 38916 | 38916 | 42151 | 42151 | 42151 | 42151 |       |
|               | S/T            | 0.75      | 0.85  | 0.94  | 1.00  | 0.59  | 0.69  | 0.78  | 0.87  | 0.52  | 0.61  | 0.70  | 0.79  | 0.35  | 0.44  | 0.52  | 0.60  |       |
|               | PI             | 5.92      | 5.92  | 5.92  | 5.92  | 5.95  | 5.95  | 5.95  | 5.95  | 5.97  | 5.97  | 5.97  | 5.97  | 6.02  | 6.02  | 6.02  | 6.02  |       |
| 122           | TC             | 33132     | 33132 | 33426 | 33720 | 35485 | 35485 | 35485 | 35877 | 36661 | 36661 | 36661 | 36661 | 39700 | 39700 | 39700 | 39700 |       |
|               | S/T            | 0.77      | 0.87  | 0.97  | 1.00  | 0.60  | 0.70  | 0.80  | 0.89  | 0.52  | 0.62  | 0.72  | 0.81  | 0.35  | 0.44  | 0.53  | 0.62  |       |
|               | PI             | 6.41      | 6.41  | 6.41  | 6.41  | 6.44  | 6.44  | 6.44  | 6.44  | 6.46  | 6.46  | 6.46  | 6.46  | 6.51  | 6.51  | 6.51  | 6.51  |       |

Manufacturer reserves the right to change, at any time, specifications and designs without notice and without obligations.

COOLING PERFORMANCE - 48K (Sheet 2 of 4)

| AIRFLOW<br>(CFM) | OUTDOOR<br>(DB F) | ID (WB F)<br>ID (DB F) | 60.8  |       |       |       | 64.4  |       |       |       | 66.2  |       |       |       | 71.6  |       |       |       |
|------------------|-------------------|------------------------|-------|-------|-------|-------|-------|-------|-------|-------|-------|-------|-------|-------|-------|-------|-------|-------|
|                  |                   |                        | 73.4  | 77.0  | 80.6  | 84.2  | 73.4  | 77.0  | 80.6  | 84.2  | 73.4  | 77.0  | 80.6  | 84.2  | 73.4  | 77.0  | 80.6  | 84.2  |
| 1095             | -22               | TC                     | 51054 | 51054 | 51577 | 52100 | 53509 | 53509 | 53509 | 53509 | 54733 | 54733 | 54733 | 54733 | 57898 | 57898 | 57898 | 57898 |
|                  |                   | S/T                    | 0.69  | 0.77  | 0.97  | 1.00  | 0.55  | 0.64  | 0.71  | 0.79  | 0.49  | 0.57  | 0.65  | 0.72  | 0.34  | 0.42  | 0.48  | 0.56  |
|                  |                   | PI                     | 4.25  | 4.26  | 4.26  | 4.25  | 4.26  | 4.26  | 4.26  | 4.26  | 4.26  | 4.27  | 4.27  | 4.27  | 4.27  | 4.31  | 4.31  | 4.31  |
|                  | -10               | TC                     | 50677 | 50677 | 51196 | 51715 | 53206 | 53206 | 53206 | 53206 | 54460 | 54460 | 54460 | 54460 | 57723 | 57723 | 57723 | 57723 |
|                  |                   | S/T                    | 0.70  | 0.78  | 0.97  | 1.00  | 0.56  | 0.64  | 0.72  | 0.79  | 0.50  | 0.57  | 0.65  | 0.73  | 0.34  | 0.42  | 0.49  | 0.56  |
|                  |                   | PI                     | 3.84  | 3.85  | 3.85  | 3.84  | 3.85  | 3.85  | 3.85  | 3.85  | 3.85  | 3.85  | 3.85  | 3.85  | 3.88  | 3.88  | 3.88  | 3.88  |
|                  | 0                 | TC                     | 50362 | 50362 | 50878 | 51394 | 52953 | 52953 | 52953 | 52953 | 54232 | 54232 | 54232 | 54232 | 57577 | 57577 | 57577 | 57577 |
|                  |                   | S/T                    | 0.70  | 0.78  | 0.98  | 1.00  | 0.56  | 0.65  | 0.72  | 0.80  | 0.50  | 0.58  | 0.65  | 0.73  | 0.35  | 0.42  | 0.49  | 0.57  |
|                  |                   | PI                     | 3.65  | 3.65  | 3.65  | 3.65  | 3.65  | 3.65  | 3.65  | 3.65  | 3.65  | 3.65  | 3.65  | 3.65  | 3.67  | 3.67  | 3.67  | 3.67  |
|                  | 5                 | TC                     | 50215 | 50215 | 50730 | 51244 | 52856 | 52856 | 52856 | 52856 | 54150 | 54150 | 54150 | 54150 | 57538 | 57538 | 57538 | 57538 |
|                  |                   | S/T                    | 0.70  | 0.78  | 0.98  | 1.00  | 0.56  | 0.65  | 0.72  | 0.80  | 0.50  | 0.58  | 0.66  | 0.73  | 0.35  | 0.42  | 0.49  | 0.57  |
|                  |                   | PI                     | 3.43  | 3.43  | 3.43  | 3.43  | 3.42  | 3.42  | 3.42  | 3.42  | 3.41  | 3.41  | 3.41  | 3.41  | 3.41  | 3.41  | 3.41  | 3.41  |
|                  | 14                | TC                     | 49918 | 49918 | 50429 | 50940 | 52559 | 52559 | 52559 | 52559 | 53879 | 53879 | 53879 | 53879 | 57343 | 57343 | 57343 | 57343 |
|                  |                   | S/T                    | 0.71  | 0.79  | 0.99  | 1.00  | 0.56  | 0.65  | 0.73  | 0.81  | 0.50  | 0.58  | 0.66  | 0.74  | 0.35  | 0.43  | 0.49  | 0.57  |
|                  |                   | PI                     | 3.41  | 3.41  | 3.41  | 3.41  | 3.41  | 3.41  | 3.41  | 3.41  | 3.40  | 3.40  | 3.40  | 3.40  | 3.42  | 3.42  | 3.42  | 3.42  |
|                  | 23                | TC                     | 49620 | 49620 | 50128 | 50637 | 52361 | 52361 | 52361 | 52361 | 53681 | 53681 | 53681 | 53681 | 57197 | 57197 | 57197 | 57197 |
|                  |                   | S/T                    | 0.71  | 0.79  | 0.99  | 1.00  | 0.57  | 0.65  | 0.73  | 0.81  | 0.51  | 0.59  | 0.66  | 0.74  | 0.35  | 0.43  | 0.50  | 0.58  |
|                  |                   | PI                     | 3.41  | 3.41  | 3.41  | 3.41  | 3.40  | 3.40  | 3.40  | 3.40  | 3.40  | 3.40  | 3.40  | 3.40  | 3.42  | 3.42  | 3.42  | 3.42  |
|                  | 32                | TC                     | 49372 | 49372 | 49878 | 50383 | 52163 | 52163 | 52163 | 52163 | 53533 | 53533 | 53533 | 53533 | 57148 | 57148 | 57148 | 57148 |
|                  |                   | S/T                    | 0.72  | 0.79  | 1.00  | 1.00  | 0.57  | 0.66  | 0.74  | 0.81  | 0.51  | 0.59  | 0.67  | 0.74  | 0.35  | 0.43  | 0.50  | 0.58  |
|                  |                   | PI                     | 3.42  | 3.42  | 3.42  | 3.42  | 3.42  | 3.42  | 3.42  | 3.42  | 3.42  | 3.42  | 3.42  | 3.42  | 3.43  | 3.43  | 3.43  | 3.43  |
|                  | 41                | TC                     | 49124 | 49124 | 49627 | 50130 | 51965 | 51965 | 51965 | 51965 | 53360 | 53360 | 53360 | 53360 | 57100 | 57100 | 57100 | 57100 |
|                  |                   | S/T                    | 0.72  | 0.80  | 1.00  | 1.00  | 0.57  | 0.66  | 0.74  | 0.82  | 0.51  | 0.59  | 0.67  | 0.75  | 0.35  | 0.43  | 0.50  | 0.58  |
|                  |                   | PI                     | 3.45  | 3.45  | 3.45  | 3.45  | 3.45  | 3.45  | 3.45  | 3.45  | 3.45  | 3.45  | 3.45  | 3.45  | 3.46  | 3.46  | 3.46  | 3.46  |
|                  | 50                | TC                     | 48826 | 48826 | 49326 | 49826 | 51718 | 51718 | 51718 | 51718 | 53138 | 53138 | 53138 | 53138 | 56954 | 56954 | 56954 | 56954 |
|                  |                   | S/T                    | 0.72  | 0.80  | 1.00  | 1.00  | 0.57  | 0.66  | 0.74  | 0.82  | 0.51  | 0.59  | 0.67  | 0.75  | 0.36  | 0.44  | 0.50  | 0.58  |
|                  |                   | PI                     | 3.51  | 3.51  | 3.51  | 3.51  | 3.50  | 3.50  | 3.50  | 3.50  | 3.50  | 3.50  | 3.50  | 3.50  | 3.50  | 3.50  | 3.50  | 3.50  |
|                  | 59                | TC                     | 48429 | 48429 | 48925 | 49421 | 51371 | 51371 | 51371 | 51371 | 52817 | 52817 | 52817 | 52817 | 56710 | 56710 | 56710 | 56710 |
|                  |                   | S/T                    | 0.73  | 0.81  | 0.90  | 0.98  | 0.58  | 0.67  | 0.75  | 0.83  | 0.52  | 0.60  | 0.68  | 0.76  | 0.36  | 0.44  | 0.51  | 0.59  |
|                  |                   | PI                     | 3.60  | 3.60  | 3.60  | 3.60  | 3.58  | 3.58  | 3.58  | 3.58  | 3.58  | 3.58  | 3.58  | 3.58  | 3.58  | 3.58  | 3.58  | 3.58  |
|                  | 68                | TC                     | 47883 | 47883 | 48374 | 48864 | 50827 | 50827 | 50827 | 50827 | 52299 | 52299 | 52299 | 52299 | 56223 | 56223 | 56223 | 56223 |
|                  |                   | S/T                    | 0.73  | 0.81  | 0.90  | 0.98  | 0.58  | 0.67  | 0.75  | 0.83  | 0.52  | 0.60  | 0.68  | 0.76  | 0.36  | 0.44  | 0.51  | 0.59  |
|                  |                   | PI                     | 3.72  | 3.72  | 3.72  | 3.72  | 3.70  | 3.70  | 3.70  | 3.70  | 3.69  | 3.69  | 3.69  | 3.69  | 3.68  | 3.68  | 3.68  | 3.68  |
|                  | 77                | TC                     | 45724 | 45724 | 46215 | 46706 | 48570 | 48570 | 48570 | 48570 | 50042 | 50042 | 50042 | 50042 | 53770 | 53770 | 53770 | 53770 |
|                  |                   | S/T                    | 0.73  | 0.83  | 0.92  | 1.00  | 0.59  | 0.67  | 0.76  | 0.85  | 0.52  | 0.60  | 0.69  | 0.77  | 0.36  | 0.44  | 0.52  | 0.59  |
|                  |                   | PI                     | 4.10  | 4.10  | 4.10  | 4.10  | 4.10  | 4.10  | 4.10  | 4.10  | 4.10  | 4.10  | 4.10  | 4.10  | 4.10  | 4.10  | 4.10  | 4.10  |
| 86               | TC                | 43566                  | 43566 | 43958 | 44351 | 46313 | 46313 | 46313 | 46313 | 47687 | 47687 | 47687 | 47687 | 51415 | 51415 | 51415 | 51415 |       |
|                  | S/T               | 0.75                   | 0.84  | 0.94  | 1.00  | 0.59  | 0.68  | 0.77  | 0.87  | 0.52  | 0.61  | 0.70  | 0.79  | 0.35  | 0.44  | 0.52  | 0.60  |       |
|                  | PI                | 4.49                   | 4.49  | 4.49  | 4.49  | 4.50  | 4.50  | 4.50  | 4.50  | 4.51  | 4.51  | 4.51  | 4.51  | 4.53  | 4.53  | 4.53  | 4.53  |       |
| 95               | TC                | 41407                  | 41407 | 41800 | 42192 | 44056 | 44056 | 44056 | 44449 | 45430 | 45430 | 46117 | 45430 | 48962 | 48962 | 48962 | 48962 |       |
|                  | S/T               | 0.76                   | 0.86  | 0.96  | 1.00  | 0.60  | 0.69  | 0.79  | 0.88  | 0.52  | 0.62  | 0.71  | 0.80  | 0.35  | 0.44  | 0.52  | 0.61  |       |
|                  | PI                | 4.91                   | 4.91  | 4.91  | 4.91  | 4.93  | 4.93  | 4.93  | 4.93  | 4.94  | 4.94  | 4.94  | 4.94  | 4.94  | 4.94  | 4.94  | 4.94  |       |
| 104              | TC                | 38602                  | 38778 | 39167 | 39555 | 41092 | 41092 | 41092 | 41480 | 42407 | 42407 | 42778 | 42407 | 45815 | 45815 | 45815 | 45815 |       |
|                  | S/T               | 0.78                   | 0.89  | 1.00  | 1.00  | 0.61  | 0.71  | 0.82  | 0.92  | 0.53  | 0.63  | 0.73  | 0.84  | 0.34  | 0.44  | 0.53  | 0.63  |       |
|                  | PI                | 5.41                   | 5.41  | 5.41  | 5.41  | 5.44  | 5.44  | 5.44  | 5.44  | 5.45  | 5.45  | 5.45  | 5.45  | 5.47  | 5.47  | 5.47  | 5.47  |       |
| 115              | TC                | 35741                  | 36129 | 36518 | 36906 | 38072 | 38072 | 38072 | 38460 | 39335 | 39335 | 39335 | 39335 | 42637 | 42637 | 42637 | 42637 |       |
|                  | S/T               | 0.79                   | 0.91  | 1.00  | 1.00  | 0.61  | 0.73  | 0.84  | 0.94  | 0.53  | 0.64  | 0.75  | 0.85  | 0.34  | 0.44  | 0.54  | 0.64  |       |
|                  | PI                | 6.02                   | 6.02  | 6.02  | 6.02  | 6.05  | 6.05  | 6.05  | 6.05  | 6.06  | 6.06  | 6.06  | 6.06  | 6.11  | 6.11  | 6.11  | 6.11  |       |
| 122              | TC                | 33507                  | 33799 | 34090 | 34478 | 35838 | 35838 | 35838 | 36227 | 37004 | 37004 | 37004 | 37004 | 40112 | 40112 | 40112 | 40112 |       |
|                  | S/T               | 0.81                   | 0.94  | 1.00  | 1.00  | 0.62  | 0.74  | 0.86  | 0.97  | 0.54  | 0.65  | 0.77  | 0.88  | 0.34  | 0.44  | 0.55  | 0.91  |       |
|                  | PI                | 6.52                   | 6.52  | 6.52  | 6.52  | 6.55  | 6.55  | 6.55  | 6.55  | 6.57  | 6.57  | 6.57  | 6.57  | 6.62  | 6.62  | 6.62  | 6.62  |       |

Manufacturer reserves the right to change, at any time, specifications and designs without notice and without obligations.

COOLING PERFORMANCE - 48K (Sheet 3 of 4)

| AIRFLOW<br>(CFM) | OUTDOOR<br>(DB F) | ID (WB F)<br>ID (DB F) | 60.8  |       |       |       | 64.4  |       |       |       | 66.2  |       |       |       | 71.6  |       |       |       |
|------------------|-------------------|------------------------|-------|-------|-------|-------|-------|-------|-------|-------|-------|-------|-------|-------|-------|-------|-------|-------|
|                  |                   |                        | 73.4  | 77.0  | 80.6  | 84.2  | 73.4  | 77.0  | 80.6  | 84.2  | 73.4  | 77.0  | 80.6  | 84.2  | 73.4  | 77.0  | 80.6  | 84.2  |
| 1283             | -22               | TC                     | 52100 | 52100 | 52623 | 53146 | 54542 | 54542 | 54542 | 55059 | 55760 | 55760 | 55760 | 55760 | 59009 | 59009 | 59009 | 59009 |
|                  |                   | S/T                    | 0.72  | 0.82  | 1.00  | 1.00  | 0.57  | 0.66  | 0.75  | 0.96  | 0.49  | 0.59  | 0.68  | 0.76  | 0.33  | 0.42  | 0.49  | 0.58  |
|                  |                   | PI                     | 4.25  | 4.26  | 4.26  | 4.25  | 4.26  | 4.26  | 4.26  | 4.26  | 4.26  | 4.27  | 4.27  | 4.27  | 4.27  | 4.31  | 4.31  | 4.31  |
|                  | -10               | TC                     | 51715 | 51715 | 52234 | 52754 | 54233 | 54233 | 54233 | 54746 | 55482 | 55482 | 55482 | 55482 | 58831 | 58831 | 58831 | 58831 |
|                  |                   | S/T                    | 0.73  | 0.82  | 1.00  | 1.00  | 0.57  | 0.66  | 0.76  | 0.97  | 0.50  | 0.59  | 0.68  | 0.77  | 0.34  | 0.42  | 0.50  | 0.58  |
|                  |                   | PI                     | 3.84  | 3.85  | 3.85  | 3.84  | 3.85  | 3.85  | 3.85  | 3.85  | 3.85  | 3.85  | 3.85  | 3.85  | 3.88  | 3.88  | 3.88  | 3.88  |
|                  | 0                 | TC                     | 51394 | 51394 | 51910 | 52426 | 53975 | 53975 | 53975 | 54486 | 55250 | 55250 | 55250 | 55250 | 58682 | 58682 | 58682 | 58682 |
|                  |                   | S/T                    | 0.73  | 0.83  | 1.00  | 1.00  | 0.58  | 0.66  | 0.76  | 0.97  | 0.50  | 0.60  | 0.68  | 0.77  | 0.34  | 0.42  | 0.50  | 0.59  |
|                  |                   | PI                     | 3.73  | 3.73  | 3.73  | 3.73  | 3.72  | 3.72  | 3.72  | 3.72  | 3.72  | 3.72  | 3.72  | 3.72  | 3.73  | 3.73  | 3.73  | 3.73  |
|                  | 5                 | TC                     | 51244 | 51244 | 51759 | 52273 | 53876 | 53876 | 53876 | 54386 | 55166 | 55166 | 55166 | 55166 | 58642 | 58642 | 58642 | 58642 |
|                  |                   | S/T                    | 0.73  | 0.83  | 1.00  | 1.00  | 0.58  | 0.67  | 0.76  | 0.98  | 0.50  | 0.60  | 0.69  | 0.77  | 0.34  | 0.42  | 0.50  | 0.59  |
|                  |                   | PI                     | 3.50  | 3.50  | 3.50  | 3.50  | 3.49  | 3.49  | 3.49  | 3.49  | 3.48  | 3.48  | 3.48  | 3.48  | 3.47  | 3.47  | 3.47  | 3.47  |
|                  | 14                | TC                     | 50940 | 50940 | 51452 | 51963 | 53574 | 53574 | 53574 | 54081 | 54890 | 54890 | 54890 | 54890 | 58444 | 58444 | 58444 | 58444 |
|                  |                   | S/T                    | 0.74  | 0.83  | 1.00  | 1.00  | 0.58  | 0.67  | 0.77  | 0.98  | 0.50  | 0.60  | 0.69  | 0.78  | 0.34  | 0.43  | 0.50  | 0.59  |
|                  |                   | PI                     | 3.49  | 3.49  | 3.49  | 3.49  | 3.48  | 3.48  | 3.48  | 3.48  | 3.48  | 3.48  | 3.48  | 3.48  | 3.48  | 3.48  | 3.48  | 3.48  |
|                  | 23                | TC                     | 50637 | 50637 | 51145 | 51653 | 53372 | 53372 | 53372 | 53877 | 54688 | 54688 | 54688 | 54688 | 58295 | 58295 | 58295 | 58295 |
|                  |                   | S/T                    | 0.74  | 0.84  | 1.00  | 1.00  | 0.59  | 0.67  | 0.77  | 0.99  | 0.51  | 0.60  | 0.69  | 0.78  | 0.34  | 0.43  | 0.51  | 0.59  |
|                  |                   | PI                     | 3.48  | 3.48  | 3.48  | 3.48  | 3.48  | 3.48  | 3.48  | 3.48  | 3.48  | 3.48  | 3.48  | 3.48  | 3.48  | 3.48  | 3.48  | 3.48  |
|                  | 32                | TC                     | 50383 | 50383 | 50889 | 51395 | 53170 | 53170 | 53170 | 53673 | 54538 | 54538 | 54538 | 54538 | 58245 | 58245 | 58245 | 58245 |
|                  |                   | S/T                    | 0.74  | 0.84  | 1.00  | 1.00  | 0.59  | 0.68  | 0.77  | 0.99  | 0.51  | 0.61  | 0.70  | 0.78  | 0.34  | 0.43  | 0.51  | 0.60  |
|                  |                   | PI                     | 3.49  | 3.49  | 3.49  | 3.49  | 3.49  | 3.49  | 3.49  | 3.49  | 3.49  | 3.49  | 3.49  | 3.49  | 3.50  | 3.50  | 3.50  | 3.50  |
|                  | 41                | TC                     | 50130 | 50130 | 50634 | 51137 | 52968 | 52968 | 52968 | 53470 | 54361 | 54361 | 54361 | 54361 | 58196 | 58196 | 58196 | 58196 |
|                  |                   | S/T                    | 0.75  | 0.85  | 1.00  | 1.00  | 0.59  | 0.68  | 0.78  | 1.00  | 0.51  | 0.61  | 0.70  | 0.79  | 0.34  | 0.43  | 0.51  | 0.60  |
|                  |                   | PI                     | 3.53  | 3.53  | 3.53  | 3.53  | 3.52  | 3.52  | 3.52  | 3.52  | 3.52  | 3.52  | 3.52  | 3.52  | 3.52  | 3.52  | 3.52  | 3.52  |
|                  | 50                | TC                     | 49826 | 49826 | 50327 | 50827 | 52716 | 52716 | 52716 | 53215 | 54135 | 54135 | 54135 | 54135 | 58047 | 58047 | 58047 | 58047 |
|                  |                   | S/T                    | 0.75  | 0.85  | 1.00  | 1.00  | 0.59  | 0.68  | 0.78  | 1.00  | 0.51  | 0.61  | 0.70  | 0.79  | 0.35  | 0.44  | 0.51  | 0.60  |
|                  |                   | PI                     | 3.59  | 3.59  | 3.59  | 3.59  | 3.57  | 3.57  | 3.57  | 3.57  | 3.57  | 3.57  | 3.57  | 3.57  | 3.57  | 3.57  | 3.57  | 3.57  |
|                  | 59                | TC                     | 49421 | 49421 | 49918 | 50414 | 52363 | 52363 | 52363 | 52859 | 53808 | 53808 | 53808 | 53808 | 57799 | 57799 | 57799 | 57799 |
|                  |                   | S/T                    | 0.76  | 0.86  | 0.96  | 1.00  | 0.60  | 0.69  | 0.79  | 0.88  | 0.52  | 0.62  | 0.71  | 0.80  | 0.35  | 0.44  | 0.52  | 0.61  |
|                  |                   | PI                     | 3.67  | 3.67  | 3.67  | 3.67  | 3.66  | 3.66  | 3.66  | 3.66  | 3.65  | 3.65  | 3.65  | 3.65  | 3.64  | 3.64  | 3.64  | 3.64  |
|                  | 68                | TC                     | 48864 | 48864 | 49355 | 49846 | 51808 | 51808 | 51808 | 52299 | 53280 | 53280 | 53280 | 53280 | 57303 | 57303 | 57303 | 57303 |
|                  |                   | S/T                    | 0.76  | 0.86  | 0.96  | 1.00  | 0.60  | 0.69  | 0.79  | 0.88  | 0.52  | 0.62  | 0.71  | 0.80  | 0.35  | 0.44  | 0.52  | 0.61  |
|                  |                   | PI                     | 3.80  | 3.80  | 3.80  | 3.80  | 3.78  | 3.78  | 3.78  | 3.78  | 3.77  | 3.77  | 3.77  | 3.77  | 3.75  | 3.75  | 3.75  | 3.75  |
|                  | 77                | TC                     | 46608 | 46608 | 47098 | 47589 | 49453 | 49453 | 49453 | 49944 | 50925 | 50925 | 50925 | 50925 | 54850 | 54850 | 54850 | 54850 |
|                  |                   | S/T                    | 0.77  | 0.87  | 0.98  | 1.00  | 0.60  | 0.70  | 0.80  | 0.90  | 0.52  | 0.62  | 0.72  | 0.82  | 0.35  | 0.44  | 0.53  | 0.62  |
|                  |                   | PI                     | 4.18  | 4.18  | 4.18  | 4.18  | 4.18  | 4.18  | 4.18  | 4.18  | 4.18  | 4.18  | 4.18  | 4.18  | 4.18  | 4.18  | 4.18  | 4.18  |
| 86               | TC                | 44351                  | 44841 | 45332 | 45823 | 47196 | 47196 | 47196 | 47687 | 48668 | 48668 | 48668 | 48668 | 52397 | 52397 | 52397 | 52397 |       |
|                  | S/T               | 0.78                   | 0.89  | 1.00  | 1.00  | 0.61  | 0.71  | 0.82  | 0.92  | 0.53  | 0.63  | 0.73  | 0.84  | 0.34  | 0.44  | 0.53  | 0.63  |       |
|                  | PI                | 4.59                   | 4.59  | 4.59  | 4.59  | 4.60  | 4.60  | 4.60  | 4.60  | 4.60  | 4.60  | 4.60  | 4.60  | 4.61  | 4.61  | 4.61  | 4.61  |       |
| 95               | TC                | 42192                  | 42585 | 42977 | 43370 | 44841 | 44841 | 44841 | 45332 | 46313 | 46313 | 47000 | 46313 | 49944 | 49944 | 49944 | 49944 |       |
|                  | S/T               | 0.80                   | 0.91  | 1.00  | 1.00  | 0.62  | 0.73  | 0.84  | 0.94  | 0.53  | 0.64  | 0.74  | 0.86  | 0.34  | 0.44  | 0.54  | 0.64  |       |
|                  | PI                | 5.01                   | 5.01  | 5.01  | 5.01  | 5.03  | 5.03  | 5.03  | 5.03  | 5.04  | 5.04  | 5.05  | 5.04  | 5.08  | 5.08  | 5.08  | 5.08  |       |
| 104              | TC                | 39335                  | 39723 | 40112 | 40500 | 41869 | 41869 | 42045 | 42487 | 43237 | 43237 | 43608 | 43414 | 46698 | 46698 | 46698 | 46698 |       |
|                  | S/T               | 0.83                   | 0.95  | 1.00  | 1.00  | 0.63  | 0.75  | 0.88  | 0.99  | 0.54  | 0.66  | 0.78  | 0.89  | 0.34  | 0.44  | 0.55  | 0.90  |       |
|                  | PI                | 5.53                   | 5.53  | 5.53  | 5.53  | 5.55  | 5.55  | 5.55  | 5.55  | 5.56  | 5.56  | 5.56  | 5.56  | 5.60  | 5.60  | 5.60  | 5.60  |       |
| 115              | TC                | 36421                  | 36809 | 37198 | 37586 | 38849 | 38849 | 39237 | 39626 | 40112 | 40112 | 40112 | 40500 | 43414 | 43414 | 43414 | 43414 |       |
|                  | S/T               | 0.84                   | 0.97  | 1.00  | 1.00  | 0.64  | 0.77  | 0.89  | 1.00  | 0.55  | 0.67  | 0.79  | 0.91  | 0.33  | 0.45  | 0.56  | 0.92  |       |
|                  | PI                | 6.15                   | 6.15  | 6.15  | 6.15  | 6.17  | 6.17  | 6.17  | 6.17  | 6.19  | 6.19  | 6.19  | 6.19  | 6.24  | 6.24  | 6.24  | 6.24  |       |
| 122              | TC                | 34187                  | 34576 | 34964 | 35353 | 36518 | 36518 | 36906 | 37295 | 37683 | 37683 | 37683 | 38072 | 40888 | 40888 | 40888 | 40888 |       |
|                  | S/T               | 0.86                   | 1.00  | 1.00  | 1.00  | 0.65  | 0.79  | 0.92  | 1.00  | 0.55  | 0.68  | 0.82  | 0.94  | 0.33  | 0.45  | 0.57  | 0.97  |       |
|                  | PI                | 6.66                   | 6.66  | 6.66  | 6.66  | 6.69  | 6.69  | 6.69  | 6.69  | 6.70  | 6.70  | 6.70  | 6.70  | 6.76  | 6.76  | 6.76  | 6.76  |       |

Manufacturer reserves the right to change, at any time, specifications and designs without notice and without obligations.

COOLING PERFORMANCE - 48K (Sheet 4 of 4)

| AIRFLOW (CFM) | OUTDOOR (DB F) | ID (WB F)<br>ID (DB F) | 60.8  |       |       |       | 64.4  |       |       |       | 66.2  |       |       |       | 71.6  |       |       |       |
|---------------|----------------|------------------------|-------|-------|-------|-------|-------|-------|-------|-------|-------|-------|-------|-------|-------|-------|-------|-------|
|               |                |                        | 73.4  | 77.0  | 80.6  | 84.2  | 73.4  | 77.0  | 80.6  | 84.2  | 73.4  | 77.0  | 80.6  | 84.2  | 73.4  | 77.0  | 80.6  | 84.2  |
| 1470          | -22            | TC                     | 53168 | 53168 | 53690 | 54213 | 55595 | 55595 | 55595 | 56653 | 56806 | 56806 | 56806 | 56806 | 60142 | 60142 | 60142 | 60142 |
|               |                | S/T                    | 0.75  | 0.87  | 1.00  | 1.00  | 0.59  | 0.68  | 0.79  | 1.00  | 0.49  | 0.61  | 0.70  | 0.80  | 0.32  | 0.42  | 0.50  | 0.60  |
|               |                | PI                     | 3.58  | 3.58  | 3.58  | 3.58  | 3.56  | 3.56  | 3.56  | 3.56  | 3.55  | 3.55  | 3.55  | 3.55  | 3.52  | 3.52  | 3.52  | 3.52  |
|               | -10            | TC                     | 52775 | 52775 | 53294 | 53813 | 55280 | 55280 | 55280 | 56332 | 56523 | 56523 | 56523 | 56523 | 59960 | 59960 | 59960 | 59960 |
|               |                | S/T                    | 0.76  | 0.87  | 1.00  | 1.00  | 0.59  | 0.68  | 0.80  | 1.00  | 0.50  | 0.61  | 0.71  | 0.81  | 0.33  | 0.42  | 0.51  | 0.60  |
|               |                | PI                     | 3.58  | 3.58  | 3.58  | 3.58  | 3.56  | 3.56  | 3.56  | 3.56  | 3.55  | 3.55  | 3.55  | 3.55  | 3.53  | 3.53  | 3.53  | 3.53  |
|               | 0              | TC                     | 52448 | 52448 | 52963 | 53479 | 55017 | 55017 | 55017 | 56064 | 56286 | 56286 | 56286 | 56286 | 59808 | 59808 | 59808 | 59808 |
|               |                | S/T                    | 0.76  | 0.88  | 1.00  | 1.00  | 0.60  | 0.68  | 0.80  | 1.00  | 0.50  | 0.62  | 0.71  | 0.81  | 0.33  | 0.42  | 0.51  | 0.61  |
|               |                | PI                     | 3.57  | 3.57  | 3.57  | 3.57  | 3.56  | 3.56  | 3.56  | 3.56  | 3.55  | 3.55  | 3.55  | 3.55  | 3.53  | 3.53  | 3.53  | 3.53  |
|               | 5              | TC                     | 52294 | 52294 | 52809 | 53323 | 54916 | 54916 | 54916 | 55961 | 56201 | 56201 | 56201 | 56201 | 59768 | 59768 | 59768 | 59768 |
|               |                | S/T                    | 0.76  | 0.88  | 1.00  | 1.00  | 0.60  | 0.69  | 0.80  | 1.00  | 0.50  | 0.62  | 0.72  | 0.81  | 0.33  | 0.42  | 0.51  | 0.61  |
|               |                | PI                     | 3.58  | 3.58  | 3.58  | 3.58  | 3.56  | 3.56  | 3.56  | 3.56  | 3.56  | 3.56  | 3.56  | 3.56  | 3.54  | 3.54  | 3.54  | 3.54  |
|               | 14             | TC                     | 51984 | 51984 | 52495 | 53007 | 54608 | 54608 | 54608 | 55647 | 55920 | 55920 | 55920 | 55920 | 59566 | 59566 | 59566 | 59566 |
|               |                | S/T                    | 0.77  | 0.89  | 1.00  | 1.00  | 0.60  | 0.69  | 0.81  | 1.00  | 0.50  | 0.62  | 0.72  | 0.82  | 0.33  | 0.43  | 0.51  | 0.61  |
|               |                | PI                     | 3.56  | 3.56  | 3.56  | 3.56  | 3.55  | 3.55  | 3.55  | 3.55  | 3.55  | 3.55  | 3.55  | 3.55  | 3.54  | 3.54  | 3.54  | 3.54  |
|               | 23             | TC                     | 51674 | 51674 | 52182 | 52691 | 54402 | 54402 | 54402 | 55437 | 55715 | 55715 | 55715 | 55715 | 59414 | 59414 | 59414 | 59414 |
|               |                | S/T                    | 0.77  | 0.89  | 1.00  | 1.00  | 0.61  | 0.69  | 0.81  | 1.00  | 0.51  | 0.62  | 0.72  | 0.82  | 0.33  | 0.43  | 0.52  | 0.62  |
|               |                | PI                     | 3.55  | 3.55  | 3.55  | 3.55  | 3.55  | 3.55  | 3.55  | 3.55  | 3.55  | 3.55  | 3.55  | 3.55  | 3.55  | 3.55  | 3.55  | 3.55  |
|               | 32             | TC                     | 51416 | 51416 | 51921 | 52427 | 54196 | 54196 | 54196 | 55228 | 55561 | 55561 | 55561 | 55561 | 59364 | 59364 | 59364 | 59364 |
|               |                | S/T                    | 0.78  | 0.89  | 1.00  | 1.00  | 0.61  | 0.70  | 0.82  | 1.00  | 0.51  | 0.63  | 0.73  | 0.83  | 0.33  | 0.43  | 0.52  | 0.62  |
|               |                | PI                     | 3.57  | 3.57  | 3.57  | 3.57  | 3.56  | 3.56  | 3.56  | 3.56  | 3.56  | 3.56  | 3.56  | 3.56  | 3.56  | 3.56  | 3.56  | 3.56  |
|               | 41             | TC                     | 51157 | 51157 | 51661 | 52164 | 53991 | 53991 | 53991 | 55018 | 55381 | 55381 | 55381 | 55381 | 59313 | 59313 | 59313 | 59313 |
|               |                | S/T                    | 0.78  | 0.90  | 0.99  | 0.99  | 0.61  | 0.70  | 0.82  | 1.00  | 0.51  | 0.63  | 0.73  | 0.83  | 0.34  | 0.43  | 0.52  | 0.62  |
|               |                | PI                     | 3.60  | 3.60  | 3.60  | 3.60  | 3.59  | 3.59  | 3.59  | 3.59  | 3.59  | 3.59  | 3.59  | 3.59  | 3.59  | 3.59  | 3.59  | 3.59  |
|               | 50             | TC                     | 50847 | 50847 | 51347 | 51848 | 53734 | 53734 | 53734 | 54756 | 55151 | 55151 | 55151 | 55151 | 59161 | 59161 | 59161 | 59161 |
|               |                | S/T                    | 0.78  | 0.90  | 1.00  | 1.00  | 0.61  | 0.70  | 0.82  | 1.00  | 0.51  | 0.63  | 0.73  | 0.83  | 0.34  | 0.44  | 0.52  | 0.62  |
|               |                | PI                     | 3.66  | 3.66  | 3.66  | 3.66  | 3.65  | 3.65  | 3.65  | 3.65  | 3.65  | 3.65  | 3.65  | 3.65  | 3.63  | 3.63  | 3.63  | 3.63  |
|               | 59             | TC                     | 50434 | 50434 | 50930 | 51426 | 53374 | 53374 | 53374 | 54389 | 54818 | 54818 | 54818 | 54818 | 58908 | 58908 | 58908 | 58908 |
|               |                | S/T                    | 0.79  | 0.91  | 1.00  | 1.00  | 0.62  | 0.71  | 0.83  | 0.93  | 0.52  | 0.64  | 0.74  | 0.84  | 0.34  | 0.44  | 0.53  | 0.63  |
|               |                | PI                     | 3.75  | 3.75  | 3.75  | 3.75  | 3.74  | 3.74  | 3.74  | 3.74  | 3.73  | 3.73  | 3.73  | 3.73  | 3.71  | 3.71  | 3.71  | 3.71  |
|               | 68             | TC                     | 49866 | 49866 | 50356 | 50846 | 52808 | 52808 | 52808 | 53813 | 54279 | 54279 | 54279 | 54279 | 58403 | 58403 | 58403 | 58403 |
|               |                | S/T                    | 0.79  | 0.91  | 1.00  | 1.00  | 0.62  | 0.71  | 0.83  | 0.93  | 0.52  | 0.64  | 0.74  | 0.84  | 0.34  | 0.44  | 0.53  | 0.63  |
|               |                | PI                     | 3.88  | 3.88  | 3.88  | 3.88  | 3.86  | 3.86  | 3.86  | 3.86  | 3.85  | 3.85  | 3.85  | 3.85  | 3.82  | 3.82  | 3.82  | 3.82  |
|               | 77             | TC                     | 47508 | 47508 | 47998 | 48489 | 50352 | 50352 | 50352 | 51356 | 51824 | 51824 | 51824 | 51824 | 55951 | 55951 | 55951 | 55951 |
|               |                | S/T                    | 0.81  | 0.91  | 1.00  | 1.00  | 0.61  | 0.73  | 0.84  | 0.95  | 0.52  | 0.64  | 0.75  | 0.87  | 0.34  | 0.44  | 0.54  | 0.65  |
|               |                | PI                     | 4.27  | 4.27  | 4.27  | 4.27  | 4.27  | 4.27  | 4.27  | 4.27  | 4.27  | 4.27  | 4.27  | 4.27  | 4.27  | 4.27  | 4.27  | 4.27  |
|               | 86             | TC                     | 45150 | 46154 | 46749 | 47343 | 48096 | 48096 | 48096 | 49101 | 49669 | 49669 | 49669 | 49669 | 53397 | 53397 | 53397 | 53397 |
|               |                | S/T                    | 0.81  | 0.94  | 1.00  | 1.00  | 0.63  | 0.74  | 0.87  | 0.97  | 0.54  | 0.65  | 0.76  | 0.89  | 0.33  | 0.44  | 0.54  | 0.66  |
|               |                | PI                     | 4.69  | 4.69  | 4.69  | 4.69  | 4.70  | 4.70  | 4.70  | 4.70  | 4.69  | 4.69  | 4.69  | 4.69  | 4.70  | 4.70  | 4.70  | 4.70  |
|               | 95             | TC                     | 42992 | 43795 | 44188 | 44580 | 45640 | 45640 | 45640 | 46233 | 47213 | 47213 | 47900 | 47213 | 50945 | 50945 | 50945 | 50945 |
|               |                | S/T                    | 0.84  | 0.96  | 1.00  | 1.00  | 0.64  | 0.77  | 0.89  | 1.00  | 0.54  | 0.66  | 0.77  | 0.92  | 0.33  | 0.44  | 0.56  | 0.67  |
|               |                | PI                     | 5.11  | 5.11  | 5.11  | 5.11  | 5.13  | 5.13  | 5.13  | 5.13  | 5.14  | 5.14  | 5.15  | 5.14  | 5.22  | 5.22  | 5.22  | 5.22  |
|               | 104            | TC                     | 40081 | 40691 | 41079 | 41467 | 42660 | 42660 | 43021 | 43518 | 44083 | 44083 | 44454 | 44444 | 47598 | 47598 | 47598 | 47598 |
|               |                | S/T                    | 0.88  | 1.00  | 1.00  | 1.00  | 0.65  | 0.79  | 0.94  | 1.00  | 0.55  | 0.69  | 0.83  | 0.94  | 0.34  | 0.44  | 0.57  | 1.00  |
|               |                | PI                     | 5.64  | 5.64  | 5.64  | 5.64  | 5.65  | 5.65  | 5.65  | 5.65  | 5.67  | 5.67  | 5.68  | 5.67  | 5.74  | 5.74  | 5.74  | 5.74  |
|               | 115            | TC                     | 37114 | 37502 | 37890 | 38279 | 39642 | 39642 | 40439 | 40827 | 40904 | 40904 | 40904 | 41700 | 44205 | 44205 | 44205 | 44205 |
|               |                | S/T                    | 0.89  | 1.00  | 1.00  | 1.00  | 0.67  | 0.81  | 0.94  | 1.00  | 0.57  | 0.70  | 0.83  | 0.97  | 0.32  | 0.46  | 0.58  | 1.00  |
|               |                | PI                     | 6.28  | 6.28  | 6.28  | 6.28  | 6.29  | 6.29  | 6.29  | 6.29  | 6.32  | 6.32  | 6.32  | 6.32  | 6.37  | 6.37  | 6.37  | 6.37  |
| 122           | TC             | 34881                  | 35370 | 35861 | 36249 | 37211 | 37211 | 38007 | 38395 | 38376 | 38376 | 38376 | 39171 | 41681 | 41681 | 41681 | 41681 |       |
|               | S/T            | 0.92                   | 1.00  | 1.00  | 1.00  | 0.68  | 0.84  | 0.98  | 1.00  | 0.56  | 0.71  | 0.87  | 1.00  | 0.32  | 0.46  | 0.59  | 1.00  |       |
|               | PI             | 6.80                   | 6.80  | 6.80  | 6.80  | 6.83  | 6.83  | 6.83  | 6.83  | 6.83  | 6.83  | 6.83  | 6.83  | 6.90  | 6.90  | 6.90  | 6.90  |       |

LEGEND

TC - Total Cooling Capacity (BTU/hr)  
 S/T - Sensible Cooling Capacity Ratio  
 PI - Power Input (kW)  
 Gray shaded area is Extrapolated Data

Manufacturer reserves the right to change, at any time, specifications and designs without notice and without obligations.

HEATING PERFORMANCE AT INDOOR DRY BULB TEMPERATURE- 48K (Sheet 1 of 2)

| AIRFLOW (CFM) | OUTDOOR (DB F) | TC: TOTAL CAPACITY IN BTU/HR |       |       |       | PI: TOTAL POWER IN KILOWATTS |      |      |      |
|---------------|----------------|------------------------------|-------|-------|-------|------------------------------|------|------|------|
|               |                | Indoor Conditions (DB F)     |       |       |       | Indoor Conditions (DB F)     |      |      |      |
|               |                | 60.8                         | 68.0  | 71.6  | 75.2  | 60.8                         | 68.0 | 71.6 | 75.2 |
| 906           | -22.0          | 25743                        | 25427 | 25300 | 25111 | 3.24                         | 3.34 | 3.36 | 3.40 |
|               | -10.0          | 29620                        | 29257 | 29111 | 28893 | 3.80                         | 3.92 | 3.94 | 3.98 |
|               | 0.0            | 32851                        | 32448 | 32286 | 32044 | 4.26                         | 4.39 | 4.42 | 4.47 |
|               | 5.0            | 34580                        | 34155 | 33985 | 33730 | 4.52                         | 4.66 | 4.68 | 4.73 |
|               | 14.0           | 36924                        | 36470 | 36289 | 36017 | 4.82                         | 4.97 | 4.99 | 5.05 |
|               | 17.0           | 38682                        | 38207 | 38017 | 37732 | 5.12                         | 5.28 | 5.31 | 5.37 |
|               | 22.0           | 40286                        | 39791 | 39593 | 39296 | 5.09                         | 5.22 | 5.28 | 5.34 |
|               | 27.0           | 41771                        | 41276 | 40979 | 40781 | 5.06                         | 5.19 | 5.25 | 5.31 |
|               | 32.0           | 42760                        | 42166 | 41968 | 41672 | 5.03                         | 5.16 | 5.22 | 5.29 |
|               | 37.0           | 45334                        | 44740 | 44443 | 44146 | 5.06                         | 5.19 | 5.25 | 5.31 |
|               | 42.0           | 49491                        | 48897 | 48501 | 48204 | 5.08                         | 5.21 | 5.27 | 5.34 |
|               | 44.6           | 53966                        | 53318 | 51933 | 51637 | 5.11                         | 5.26 | 5.29 | 5.35 |
|               | 52.0           | 56781                        | 56088 | 55692 | 55297 | 5.11                         | 5.22 | 5.29 | 5.35 |
|               | 57.0           | 59353                        | 58561 | 58165 | 57770 | 5.11                         | 5.22 | 5.28 | 5.35 |
|               | 62.0           | 62023                        | 61133 | 60737 | 60243 | 5.10                         | 5.22 | 5.28 | 5.35 |
| 64.4          | 63210          | 62320                        | 61924 | 61430 | 5.10  | 5.22                         | 5.28 | 5.34 |      |
| 1095          | -22.0          | 26267                        | 25951 | 25824 | 25697 | 3.27                         | 3.38 | 3.39 | 3.44 |
|               | -10.0          | 30223                        | 29859 | 29713 | 29568 | 3.83                         | 3.96 | 3.97 | 4.03 |
|               | 0.0            | 33520                        | 33116 | 32955 | 32793 | 4.30                         | 4.44 | 4.46 | 4.52 |
|               | 5.0            | 35283                        | 34858 | 34688 | 34518 | 4.56                         | 4.70 | 4.73 | 4.79 |
|               | 14.0           | 37675                        | 37222 | 37040 | 36858 | 4.86                         | 5.02 | 5.04 | 5.11 |
|               | 17.0           | 39470                        | 38994 | 38804 | 38614 | 5.17                         | 5.33 | 5.36 | 5.42 |
|               | 22.0           | 41078                        | 40583 | 40385 | 40187 | 5.14                         | 5.27 | 5.33 | 5.39 |
|               | 27.0           | 42661                        | 42067 | 41870 | 41573 | 5.11                         | 5.24 | 5.31 | 5.37 |
|               | 32.0           | 43651                        | 43057 | 42760 | 42463 | 5.09                         | 5.21 | 5.28 | 5.34 |
|               | 37.0           | 46225                        | 45631 | 45334 | 45037 | 5.11                         | 5.24 | 5.30 | 5.37 |
|               | 42.0           | 50580                        | 49887 | 49491 | 49194 | 5.14                         | 5.26 | 5.33 | 5.39 |
|               | 44.6           | 55162                        | 54406 | 53022 | 52626 | 5.16                         | 5.32 | 5.34 | 5.41 |
|               | 52.0           | 57968                        | 57176 | 56781 | 56385 | 5.16                         | 5.28 | 5.34 | 5.40 |
|               | 57.0           | 60638                        | 59748 | 59353 | 58957 | 5.16                         | 5.27 | 5.34 | 5.40 |
|               | 62.0           | 63210                        | 62320 | 61924 | 61529 | 5.16                         | 5.27 | 5.34 | 5.40 |
| 64.4          | 64496          | 63606                        | 63210 | 62716 | 5.15  | 5.27                         | 5.33 | 5.40 |      |
| 1283          | -22.0          | 26470                        | 26217 | 26028 | 25902 | 3.30                         | 3.41 | 3.43 | 3.47 |
|               | -10.0          | 30457                        | 30166 | 29948 | 29803 | 3.87                         | 4.00 | 4.02 | 4.06 |
|               | 0.0            | 33779                        | 33457 | 33215 | 33054 | 4.34                         | 4.48 | 4.51 | 4.56 |
|               | 5.0            | 35556                        | 35217 | 34962 | 34792 | 4.60                         | 4.75 | 4.78 | 4.83 |
|               | 14.0           | 37967                        | 37604 | 37332 | 37151 | 4.91                         | 5.07 | 5.10 | 5.15 |
|               | 17.0           | 39775                        | 39395 | 39110 | 38920 | 5.22                         | 5.39 | 5.41 | 5.47 |
|               | 22.0           | 41474                        | 41078 | 40781 | 40583 | 5.20                         | 5.33 | 5.39 | 5.44 |
|               | 27.0           | 43057                        | 42562 | 42265 | 42067 | 5.17                         | 5.30 | 5.36 | 5.42 |
|               | 32.0           | 44146                        | 43552 | 43255 | 42958 | 5.14                         | 5.27 | 5.33 | 5.39 |
|               | 37.0           | 46819                        | 46126 | 45829 | 45532 | 5.16                         | 5.29 | 5.36 | 5.41 |
|               | 42.0           | 51075                        | 50382 | 50085 | 49689 | 5.19                         | 5.32 | 5.38 | 5.44 |
|               | 44.6           | 55756                        | 55000 | 53615 | 53219 | 5.21                         | 5.37 | 5.40 | 5.46 |
|               | 52.0           | 58561                        | 57869 | 57473 | 57077 | 5.20                         | 5.33 | 5.40 | 5.46 |
|               | 57.0           | 61232                        | 60441 | 60045 | 59649 | 5.20                         | 5.33 | 5.40 | 5.46 |
|               | 62.0           | 63903                        | 63013 | 62617 | 62221 | 5.20                         | 5.33 | 5.39 | 5.46 |
| 64.4          | 65189          | 64299                        | 63903 | 63408 | 5.20  | 5.33                         | 5.39 | 5.46 |      |

HEATING PERFORMANCE AT INDOOR DRY BULB TEMPERATURE- 48K (Sheet 2 of 2)

| AIRFLOW (CFM) | OUTDOOR (DB F) | TC: TOTAL CAPACITY IN BTU/HR |       |       |       | PI: TOTAL POWER IN KILOWATTS |      |      |      |
|---------------|----------------|------------------------------|-------|-------|-------|------------------------------|------|------|------|
|               |                | Indoor Conditions (DB F)     |       |       |       | Indoor Conditions (DB F)     |      |      |      |
|               |                | 60.8                         | 68.0  | 71.6  | 75.2  | 60.8                         | 68.0 | 71.6 | 75.2 |
| 1470          | -22.0          | 26470                        | 26217 | 26028 | 25902 | 3.30                         | 3.41 | 3.43 | 3.47 |
|               | -10.0          | 30457                        | 30166 | 29948 | 29803 | 3.87                         | 4.00 | 4.02 | 4.06 |
|               | 0.0            | 33779                        | 33457 | 33215 | 33054 | 4.34                         | 4.48 | 4.51 | 4.56 |
|               | 5.0            | 35831                        | 35579 | 35238 | 35069 | 4.65                         | 4.80 | 4.83 | 4.87 |
|               | 14.0           | 38260                        | 37991 | 37627 | 37446 | 4.96                         | 5.12 | 5.15 | 5.20 |
|               | 17.0           | 40082                        | 39800 | 39419 | 39229 | 5.27                         | 5.44 | 5.47 | 5.52 |
|               | 22.0           | 41873                        | 41579 | 41181 | 40983 | 5.26                         | 5.39 | 5.45 | 5.49 |
|               | 27.0           | 43457                        | 43063 | 42665 | 42568 | 5.23                         | 5.36 | 5.41 | 5.48 |
|               | 32.0           | 44647                        | 44053 | 43756 | 43459 | 5.19                         | 5.33 | 5.38 | 5.45 |
|               | 37.0           | 47420                        | 46626 | 46329 | 46032 | 5.21                         | 5.34 | 5.42 | 5.46 |
|               | 42.0           | 51575                        | 50882 | 50686 | 50189 | 5.24                         | 5.38 | 5.43 | 5.50 |
|               | 44.6           | 56357                        | 55600 | 54215 | 53820 | 5.27                         | 5.43 | 5.46 | 5.51 |
|               | 52.0           | 59161                        | 58570 | 58174 | 57778 | 5.25                         | 5.38 | 5.46 | 5.52 |
|               | 57.0           | 61831                        | 61141 | 60745 | 60350 | 5.25                         | 5.39 | 5.46 | 5.52 |
|               | 62.0           | 64603                        | 63713 | 63317 | 62921 | 5.25                         | 5.39 | 5.44 | 5.52 |
| 64.4          | 65889          | 64999                        | 64603 | 64108 | 5.26  | 5.39                         | 5.45 | 5.52 |      |

Gray shaded area is Extrapolated Data

COOLING PERFORMANCE - 48K HH (Sheet 1 of 4)

| AIRFLOW (CFM) | OUTDOOR (DB F) | ID (WB F) | 60.8  |       |       |       | 64.4  |       |       |       | 66.2  |       |       |       | 71.6  |       |       |       |
|---------------|----------------|-----------|-------|-------|-------|-------|-------|-------|-------|-------|-------|-------|-------|-------|-------|-------|-------|-------|
|               |                | ID (DB F) | 73.4  | 77.0  | 80.6  | 84.2  | 73.4  | 77.0  | 80.6  | 84.2  | 73.4  | 77.0  | 80.6  | 84.2  | 73.4  | 77.0  | 80.6  | 84.2  |
| 906           | -22            | TC        | 50094 | 50094 | 50094 | 50617 | 52457 | 53509 | 53509 | 53509 | 53687 | 53687 | 53687 | 53687 | 56766 | 56766 | 56766 | 56766 |
|               |                | S/T       | 0.67  | 0.73  | 0.81  | 0.87  | 0.54  | 0.61  | 0.68  | 0.74  | 0.48  | 0.55  | 0.62  | 0.68  | 0.35  | 0.42  | 0.48  | 0.54  |
|               |                | PI        | 4.64  | 4.64  | 4.64  | 4.64  | 4.65  | 4.65  | 4.65  | 4.65  | 4.66  | 4.66  | 4.65  | 4.66  | 4.70  | 4.70  | 4.70  | 4.70  |
|               | -10            | TC        | 49724 | 49724 | 49724 | 50243 | 52159 | 53206 | 53206 | 53206 | 53419 | 53419 | 53419 | 53419 | 56594 | 56594 | 56594 | 56594 |
|               |                | S/T       | 0.67  | 0.74  | 0.81  | 0.88  | 0.55  | 0.61  | 0.68  | 0.75  | 0.49  | 0.56  | 0.62  | 0.69  | 0.35  | 0.42  | 0.48  | 0.55  |
|               |                | PI        | 4.20  | 4.20  | 4.20  | 4.20  | 4.20  | 4.20  | 4.20  | 4.20  | 4.20  | 4.20  | 4.20  | 4.20  | 4.23  | 4.23  | 4.23  | 4.23  |
|               | 0              | TC        | 49415 | 49415 | 49415 | 49931 | 51911 | 52953 | 52953 | 52953 | 53195 | 53195 | 53195 | 53195 | 56451 | 56451 | 56451 | 56451 |
|               |                | S/T       | 0.67  | 0.74  | 0.82  | 0.89  | 0.55  | 0.62  | 0.68  | 0.75  | 0.49  | 0.56  | 0.63  | 0.69  | 0.36  | 0.42  | 0.48  | 0.55  |
|               |                | PI        | 3.92  | 3.92  | 3.92  | 3.92  | 3.92  | 3.92  | 3.92  | 3.92  | 3.92  | 3.92  | 3.92  | 3.92  | 3.94  | 3.94  | 3.94  | 3.94  |
|               | 5              | TC        | 49271 | 49271 | 49271 | 49785 | 51816 | 52856 | 52856 | 52856 | 53115 | 53115 | 53115 | 53115 | 56412 | 56412 | 56412 | 56412 |
|               |                | S/T       | 0.68  | 0.74  | 0.82  | 0.89  | 0.55  | 0.62  | 0.69  | 0.75  | 0.49  | 0.56  | 0.63  | 0.70  | 0.36  | 0.42  | 0.48  | 0.55  |
|               |                | PI        | 3.68  | 3.69  | 3.69  | 3.68  | 3.67  | 3.67  | 3.67  | 3.67  | 3.67  | 3.67  | 3.67  | 3.67  | 3.67  | 3.67  | 3.67  | 3.67  |
|               | 14             | TC        | 48979 | 48979 | 48979 | 49490 | 51525 | 52559 | 52559 | 52559 | 52849 | 52849 | 52849 | 52849 | 56222 | 56222 | 56222 | 56222 |
|               |                | S/T       | 0.68  | 0.75  | 0.82  | 0.89  | 0.55  | 0.62  | 0.69  | 0.76  | 0.49  | 0.56  | 0.63  | 0.70  | 0.36  | 0.43  | 0.49  | 0.55  |
|               |                | PI        | 3.67  | 3.67  | 3.67  | 3.67  | 3.66  | 3.66  | 3.66  | 3.66  | 3.66  | 3.66  | 3.66  | 3.66  | 3.67  | 3.67  | 3.67  | 3.67  |
|               | 23             | TC        | 48687 | 48687 | 48687 | 49195 | 51331 | 52361 | 52361 | 52361 | 52655 | 52655 | 52655 | 52655 | 56078 | 56078 | 56078 | 56078 |
|               |                | S/T       | 0.68  | 0.75  | 0.83  | 0.90  | 0.56  | 0.63  | 0.69  | 0.76  | 0.50  | 0.57  | 0.63  | 0.70  | 0.36  | 0.43  | 0.49  | 0.56  |
|               |                | PI        | 3.66  | 3.66  | 3.66  | 3.66  | 3.66  | 3.66  | 3.66  | 3.66  | 3.66  | 3.66  | 3.66  | 3.66  | 3.68  | 3.68  | 3.68  | 3.68  |
|               | 32             | TC        | 48443 | 48443 | 48443 | 48949 | 51137 | 52163 | 52163 | 52163 | 52510 | 52510 | 52510 | 52510 | 56031 | 56031 | 56031 | 56031 |
|               |                | S/T       | 0.69  | 0.75  | 0.83  | 0.90  | 0.56  | 0.63  | 0.70  | 0.76  | 0.50  | 0.57  | 0.64  | 0.71  | 0.36  | 0.43  | 0.49  | 0.56  |
|               |                | PI        | 3.68  | 3.68  | 3.68  | 3.68  | 3.67  | 3.67  | 3.67  | 3.67  | 3.67  | 3.67  | 3.67  | 3.67  | 3.69  | 3.69  | 3.69  | 3.69  |
|               | 41             | TC        | 48200 | 48200 | 48200 | 48703 | 50943 | 51965 | 51965 | 51965 | 52340 | 52340 | 52340 | 52340 | 55983 | 55983 | 55983 | 55983 |
|               |                | S/T       | 0.69  | 0.76  | 0.84  | 0.91  | 0.56  | 0.63  | 0.70  | 0.77  | 0.50  | 0.57  | 0.64  | 0.71  | 0.36  | 0.43  | 0.49  | 0.56  |
|               |                | PI        | 3.71  | 3.71  | 3.71  | 3.71  | 3.70  | 3.70  | 3.70  | 3.70  | 3.70  | 3.70  | 3.70  | 3.70  | 3.72  | 3.72  | 3.72  | 3.72  |
|               | 50             | TC        | 47908 | 47908 | 47908 | 48408 | 50701 | 51718 | 51718 | 51718 | 52122 | 52122 | 52122 | 52122 | 55840 | 55840 | 55840 | 55840 |
|               |                | S/T       | 0.69  | 0.76  | 0.84  | 0.91  | 0.56  | 0.64  | 0.70  | 0.77  | 0.50  | 0.57  | 0.64  | 0.71  | 0.37  | 0.44  | 0.50  | 0.56  |
|               |                | PI        | 3.77  | 3.77  | 3.77  | 3.77  | 3.76  | 3.76  | 3.76  | 3.76  | 3.76  | 3.76  | 3.76  | 3.76  | 3.76  | 3.76  | 3.76  | 3.76  |
|               | 59             | TC        | 47518 | 47518 | 47518 | 48014 | 50361 | 51371 | 51371 | 51371 | 51807 | 51807 | 51807 | 51807 | 55601 | 55601 | 55601 | 55601 |
|               |                | S/T       | 0.70  | 0.77  | 0.85  | 0.92  | 0.57  | 0.64  | 0.71  | 0.78  | 0.51  | 0.58  | 0.65  | 0.72  | 0.37  | 0.44  | 0.50  | 0.57  |
|               |                | PI        | 3.86  | 3.86  | 3.86  | 3.86  | 3.85  | 3.85  | 3.85  | 3.85  | 3.84  | 3.84  | 3.84  | 3.84  | 3.84  | 3.84  | 3.84  | 3.84  |
|               | 68             | TC        | 46983 | 46983 | 46983 | 47473 | 49827 | 49827 | 49827 | 49827 | 51299 | 51299 | 51299 | 51299 | 55124 | 55124 | 55124 | 55124 |
|               |                | S/T       | 0.70  | 0.77  | 0.85  | 0.92  | 0.57  | 0.64  | 0.71  | 0.78  | 0.51  | 0.58  | 0.65  | 0.72  | 0.37  | 0.44  | 0.50  | 0.57  |
|               |                | PI        | 4.00  | 4.00  | 4.00  | 4.00  | 3.98  | 3.98  | 3.98  | 3.98  | 3.97  | 3.97  | 3.97  | 3.97  | 3.96  | 3.96  | 3.96  | 3.96  |
|               | 77             | TC        | 44825 | 44825 | 44825 | 45315 | 47571 | 47571 | 47571 | 47571 | 49043 | 49043 | 49043 | 49043 | 52770 | 52770 | 52770 | 52770 |
|               |                | S/T       | 0.70  | 0.78  | 0.86  | 0.94  | 0.57  | 0.65  | 0.72  | 0.80  | 0.51  | 0.58  | 0.66  | 0.73  | 0.37  | 0.44  | 0.50  | 0.57  |
|               |                | PI        | 4.40  | 4.40  | 4.40  | 4.40  | 4.40  | 4.40  | 4.40  | 4.40  | 4.40  | 4.40  | 4.40  | 4.40  | 4.40  | 4.40  | 4.40  | 4.40  |
| 86            | TC             | 42667     | 42667 | 42667 | 43059 | 45413 | 45413 | 45413 | 45413 | 46787 | 46787 | 46787 | 46787 | 50416 | 50416 | 50416 | 50416 |       |
|               | S/T            | 0.71      | 0.79  | 0.88  | 0.96  | 0.58  | 0.65  | 0.73  | 0.81  | 0.51  | 0.59  | 0.66  | 0.74  | 0.37  | 0.44  | 0.51  | 0.58  |       |
|               | PI             | 4.82      | 4.82  | 4.82  | 4.82  | 4.83  | 4.83  | 4.83  | 4.83  | 4.84  | 4.84  | 4.84  | 4.84  | 4.86  | 4.86  | 4.86  | 4.86  |       |
| 95            | TC             | 40607     | 40607 | 41000 | 41392 | 43157 | 43157 | 43157 | 43157 | 44531 | 44531 | 45217 | 44531 | 48062 | 48062 | 48062 | 48062 |       |
|               | S/T            | 0.72      | 0.81  | 0.89  | 0.97  | 0.58  | 0.66  | 0.74  | 0.82  | 0.51  | 0.59  | 0.67  | 0.75  | 0.36  | 0.44  | 0.51  | 0.58  |       |
|               | PI             | 5.27      | 5.27  | 5.27  | 5.27  | 5.29  | 5.29  | 5.29  | 5.29  | 5.30  | 5.30  | 5.31  | 5.30  | 5.34  | 5.34  | 5.34  | 5.34  |       |
| 104           | TC             | 38221     | 38221 | 38613 | 39005 | 40680 | 40680 | 40680 | 40680 | 41963 | 41963 | 42338 | 41963 | 45359 | 45359 | 45359 | 45359 |       |
|               | S/T            | 0.74      | 0.84  | 0.93  | 1.00  | 0.59  | 0.68  | 0.77  | 0.86  | 0.52  | 0.60  | 0.69  | 0.78  | 0.36  | 0.44  | 0.52  | 0.60  |       |
|               | PI             | 5.82      | 5.82  | 5.82  | 5.82  | 5.84  | 5.84  | 5.84  | 5.84  | 5.85  | 5.85  | 5.86  | 5.85  | 5.90  | 5.90  | 5.90  | 5.90  |       |
| 115           | TC             | 35387     | 35387 | 35779 | 36171 | 37740 | 37740 | 37740 | 37740 | 38916 | 38916 | 38916 | 38916 | 42151 | 42151 | 42151 | 42151 |       |
|               | S/T            | 0.75      | 0.85  | 0.94  | 1.00  | 0.59  | 0.69  | 0.78  | 0.87  | 0.52  | 0.61  | 0.70  | 0.79  | 0.35  | 0.44  | 0.52  | 0.60  |       |
|               | PI             | 6.47      | 6.47  | 6.47  | 6.47  | 6.50  | 6.50  | 6.50  | 6.50  | 6.51  | 6.51  | 6.51  | 6.51  | 6.57  | 6.57  | 6.57  | 6.57  |       |
| 122           | TC             | 33132     | 33132 | 33426 | 33720 | 35485 | 35485 | 35485 | 35877 | 36661 | 36661 | 36661 | 36661 | 39700 | 39700 | 39700 | 39700 |       |
|               | S/T            | 0.77      | 0.87  | 0.97  | 1.00  | 0.60  | 0.70  | 0.80  | 0.89  | 0.52  | 0.62  | 0.72  | 0.81  | 0.35  | 0.44  | 0.53  | 0.62  |       |
|               | PI             | 7.00      | 7.00  | 7.00  | 7.00  | 7.03  | 7.03  | 7.03  | 7.03  | 7.05  | 7.05  | 7.05  | 7.05  | 7.11  | 7.11  | 7.11  | 7.11  |       |



COOLING PERFORMANCE - 48K HH (Sheet 2 of 4)

| AIRFLOW (CFM) | OUTDOOR (DB F) | ID (WB F)<br>ID (DB F) | 60.8  |       |       |       | 64.4  |       |       |       | 66.2  |       |       |       | 71.6  |       |       |       |
|---------------|----------------|------------------------|-------|-------|-------|-------|-------|-------|-------|-------|-------|-------|-------|-------|-------|-------|-------|-------|
|               |                |                        | 73.4  | 77.0  | 80.6  | 84.2  | 73.4  | 77.0  | 80.6  | 84.2  | 73.4  | 77.0  | 80.6  | 84.2  | 73.4  | 77.0  | 80.6  | 84.2  |
|               |                |                        | TC    | S/T   | PI    | TC    | S/T   | PI    | TC    | S/T   | PI    | TC    | S/T   | PI    | TC    | S/T   | PI    | TC    |
| 1095          | -22            | TC                     | 51054 | 51054 | 51577 | 52100 | 53509 | 53509 | 53509 | 53509 | 54733 | 54733 | 54733 | 54733 | 57898 | 57898 | 57898 | 57898 |
|               |                | S/T                    | 0.69  | 0.77  | 0.97  | 1.00  | 0.55  | 0.64  | 0.71  | 0.79  | 0.49  | 0.57  | 0.65  | 0.72  | 0.34  | 0.42  | 0.48  | 0.56  |
|               |                | PI                     | 4.64  | 4.64  | 4.64  | 4.64  | 4.65  | 4.65  | 4.65  | 4.65  | 4.66  | 4.66  | 4.65  | 4.66  | 4.70  | 4.70  | 4.70  | 4.70  |
|               | -10            | TC                     | 50677 | 50677 | 51196 | 51715 | 53206 | 53206 | 53206 | 53206 | 54460 | 54460 | 54460 | 54460 | 57723 | 57723 | 57723 | 57723 |
|               |                | S/T                    | 0.70  | 0.78  | 0.97  | 1.00  | 0.56  | 0.64  | 0.72  | 0.79  | 0.50  | 0.57  | 0.65  | 0.73  | 0.34  | 0.42  | 0.49  | 0.56  |
|               |                | PI                     | 4.20  | 4.20  | 4.20  | 4.20  | 4.20  | 4.20  | 4.20  | 4.20  | 4.20  | 4.20  | 4.20  | 4.20  | 4.23  | 4.23  | 4.23  | 4.23  |
|               | 0              | TC                     | 50362 | 50362 | 50878 | 51394 | 52953 | 52953 | 52953 | 52953 | 54232 | 54232 | 54232 | 54232 | 57577 | 57577 | 57577 | 57577 |
|               |                | S/T                    | 0.70  | 0.78  | 0.98  | 1.00  | 0.56  | 0.65  | 0.72  | 0.80  | 0.50  | 0.58  | 0.65  | 0.73  | 0.35  | 0.42  | 0.49  | 0.57  |
|               |                | PI                     | 4.00  | 4.00  | 4.00  | 4.00  | 4.00  | 4.00  | 4.00  | 4.00  | 4.01  | 4.01  | 4.01  | 4.01  | 4.02  | 4.02  | 4.02  | 4.02  |
|               | 5              | TC                     | 50215 | 50215 | 50730 | 51244 | 52856 | 52856 | 52856 | 52856 | 54150 | 54150 | 54150 | 54150 | 57538 | 57538 | 57538 | 57538 |
|               |                | S/T                    | 0.70  | 0.78  | 0.98  | 1.00  | 0.56  | 0.65  | 0.72  | 0.80  | 0.50  | 0.58  | 0.66  | 0.73  | 0.35  | 0.42  | 0.49  | 0.57  |
|               |                | PI                     | 3.76  | 3.76  | 3.76  | 3.76  | 3.74  | 3.74  | 3.74  | 3.74  | 3.75  | 3.75  | 3.75  | 3.75  | 3.74  | 3.74  | 3.74  | 3.74  |
|               | 14             | TC                     | 49918 | 49918 | 50429 | 50940 | 52559 | 52559 | 52559 | 52559 | 53879 | 53879 | 53879 | 53879 | 57343 | 57343 | 57343 | 57343 |
|               |                | S/T                    | 0.71  | 0.79  | 0.99  | 1.00  | 0.56  | 0.65  | 0.73  | 0.81  | 0.50  | 0.58  | 0.66  | 0.74  | 0.35  | 0.43  | 0.49  | 0.57  |
|               |                | PI                     | 3.74  | 3.74  | 3.74  | 3.74  | 3.74  | 3.74  | 3.74  | 3.74  | 3.74  | 3.74  | 3.74  | 3.74  | 3.75  | 3.75  | 3.75  | 3.75  |
|               | 23             | TC                     | 49620 | 49620 | 50128 | 50637 | 52361 | 52361 | 52361 | 52361 | 53681 | 53681 | 53681 | 53681 | 57197 | 57197 | 57197 | 57197 |
|               |                | S/T                    | 0.71  | 0.79  | 0.99  | 1.00  | 0.57  | 0.65  | 0.73  | 0.81  | 0.51  | 0.59  | 0.66  | 0.74  | 0.35  | 0.43  | 0.50  | 0.58  |
|               |                | PI                     | 3.73  | 3.73  | 3.73  | 3.73  | 3.73  | 3.73  | 3.73  | 3.73  | 3.74  | 3.74  | 3.74  | 3.74  | 3.75  | 3.75  | 3.75  | 3.75  |
|               | 32             | TC                     | 49372 | 49372 | 49878 | 50383 | 52163 | 52163 | 52163 | 52163 | 53533 | 53533 | 53533 | 53533 | 57148 | 57148 | 57148 | 57148 |
|               |                | S/T                    | 0.72  | 0.79  | 1.00  | 1.00  | 0.57  | 0.66  | 0.74  | 0.81  | 0.51  | 0.59  | 0.67  | 0.74  | 0.35  | 0.43  | 0.50  | 0.58  |
|               |                | PI                     | 3.75  | 3.75  | 3.75  | 3.75  | 3.74  | 3.74  | 3.74  | 3.74  | 3.76  | 3.76  | 3.76  | 3.76  | 3.76  | 3.76  | 3.76  | 3.76  |
|               | 41             | TC                     | 49124 | 49124 | 49627 | 50130 | 51965 | 51965 | 51965 | 51965 | 53360 | 53360 | 53360 | 53360 | 57100 | 57100 | 57100 | 57100 |
|               |                | S/T                    | 0.72  | 0.80  | 1.00  | 1.00  | 0.57  | 0.66  | 0.74  | 0.82  | 0.51  | 0.59  | 0.67  | 0.75  | 0.35  | 0.43  | 0.50  | 0.58  |
|               |                | PI                     | 3.78  | 3.78  | 3.78  | 3.78  | 3.78  | 3.78  | 3.78  | 3.78  | 3.79  | 3.79  | 3.79  | 3.79  | 3.79  | 3.79  | 3.79  | 3.79  |
|               | 50             | TC                     | 48826 | 48826 | 49326 | 49826 | 51718 | 51718 | 51718 | 51718 | 53138 | 53138 | 53138 | 53138 | 56954 | 56954 | 56954 | 56954 |
|               |                | S/T                    | 0.72  | 0.80  | 1.00  | 1.00  | 0.57  | 0.66  | 0.74  | 0.82  | 0.51  | 0.59  | 0.67  | 0.75  | 0.36  | 0.44  | 0.50  | 0.58  |
|               |                | PI                     | 3.85  | 3.85  | 3.85  | 3.85  | 3.84  | 3.84  | 3.84  | 3.84  | 3.84  | 3.84  | 3.84  | 3.84  | 3.84  | 3.84  | 3.84  | 3.84  |
|               | 59             | TC                     | 48429 | 48429 | 48925 | 49421 | 51371 | 51371 | 51371 | 51371 | 52817 | 52817 | 52817 | 52817 | 56710 | 56710 | 56710 | 56710 |
|               |                | S/T                    | 0.73  | 0.81  | 0.90  | 0.98  | 0.58  | 0.67  | 0.75  | 0.83  | 0.52  | 0.60  | 0.68  | 0.76  | 0.36  | 0.44  | 0.51  | 0.59  |
|               |                | PI                     | 3.94  | 3.94  | 3.94  | 3.94  | 3.93  | 3.93  | 3.93  | 3.93  | 3.93  | 3.93  | 3.93  | 3.93  | 3.92  | 3.92  | 3.92  | 3.92  |
|               | 68             | TC                     | 47883 | 47883 | 48374 | 48864 | 50827 | 50827 | 50827 | 50827 | 52299 | 52299 | 52299 | 52299 | 56223 | 56223 | 56223 | 56223 |
|               |                | S/T                    | 0.73  | 0.81  | 0.90  | 0.98  | 0.58  | 0.67  | 0.75  | 0.83  | 0.52  | 0.60  | 0.68  | 0.76  | 0.36  | 0.44  | 0.51  | 0.59  |
|               |                | PI                     | 4.08  | 4.08  | 4.08  | 4.08  | 4.06  | 4.06  | 4.06  | 4.06  | 4.06  | 4.06  | 4.06  | 4.06  | 4.04  | 4.04  | 4.04  | 4.04  |
|               | 77             | TC                     | 45724 | 45724 | 46215 | 46706 | 48570 | 48570 | 48570 | 48570 | 50042 | 50042 | 50042 | 50042 | 53770 | 53770 | 53770 | 53770 |
|               |                | S/T                    | 0.73  | 0.83  | 0.92  | 1.00  | 0.59  | 0.67  | 0.76  | 0.85  | 0.52  | 0.60  | 0.69  | 0.77  | 0.36  | 0.44  | 0.52  | 0.59  |
|               |                | PI                     | 4.50  | 4.50  | 4.50  | 4.50  | 4.49  | 4.49  | 4.49  | 4.49  | 4.49  | 4.49  | 4.49  | 4.49  | 4.50  | 4.50  | 4.50  | 4.50  |
|               | 86             | TC                     | 43566 | 43566 | 43958 | 44351 | 46313 | 46313 | 46313 | 46313 | 47687 | 47687 | 47687 | 47687 | 51415 | 51415 | 51415 | 51415 |
|               |                | S/T                    | 0.75  | 0.84  | 0.94  | 1.00  | 0.59  | 0.68  | 0.77  | 0.87  | 0.52  | 0.61  | 0.70  | 0.79  | 0.35  | 0.44  | 0.52  | 0.60  |
|               |                | PI                     | 4.92  | 4.92  | 4.92  | 4.92  | 4.93  | 4.93  | 4.93  | 4.93  | 4.94  | 4.94  | 4.94  | 4.94  | 4.96  | 4.96  | 4.96  | 4.96  |
|               | 95             | TC                     | 41407 | 41407 | 41800 | 42192 | 44056 | 44056 | 44056 | 44449 | 45430 | 45430 | 46117 | 45430 | 48962 | 48962 | 48962 | 48962 |
|               |                | S/T                    | 0.76  | 0.86  | 0.96  | 1.00  | 0.60  | 0.69  | 0.79  | 0.88  | 0.52  | 0.62  | 0.71  | 0.80  | 0.35  | 0.44  | 0.52  | 0.61  |
|               |                | PI                     | 5.38  | 5.38  | 5.38  | 5.38  | 5.40  | 5.40  | 5.40  | 5.40  | 5.41  | 5.41  | 5.42  | 5.41  | 5.41  | 5.41  | 5.41  | 5.41  |
| 104           | TC             | 38602                  | 38778 | 39167 | 39555 | 41092 | 41092 | 41092 | 41480 | 42407 | 42407 | 42778 | 42407 | 45815 | 45815 | 45815 | 45815 |       |
|               | S/T            | 0.78                   | 0.89  | 1.00  | 1.00  | 0.61  | 0.71  | 0.82  | 0.92  | 0.53  | 0.63  | 0.73  | 0.84  | 0.34  | 0.44  | 0.53  | 0.63  |       |
|               | PI             | 5.94                   | 5.94  | 5.94  | 5.94  | 5.97  | 5.97  | 5.97  | 5.97  | 5.98  | 5.98  | 5.99  | 5.98  | 6.01  | 6.01  | 6.01  | 6.01  |       |
| 115           | TC             | 35741                  | 36129 | 36518 | 36906 | 38072 | 38072 | 38072 | 38460 | 39335 | 39335 | 39335 | 39335 | 42637 | 42637 | 42637 | 42637 |       |
|               | S/T            | 0.79                   | 0.91  | 1.00  | 1.00  | 0.61  | 0.73  | 0.84  | 0.94  | 0.53  | 0.64  | 0.75  | 0.85  | 0.34  | 0.44  | 0.54  | 0.64  |       |
|               | PI             | 6.61                   | 6.61  | 6.61  | 6.61  | 6.64  | 6.64  | 6.64  | 6.64  | 6.66  | 6.66  | 6.66  | 6.66  | 6.71  | 6.71  | 6.71  | 6.71  |       |
| 122           | TC             | 33507                  | 33799 | 34090 | 34478 | 35838 | 35838 | 35838 | 36227 | 37004 | 37004 | 37004 | 37004 | 40112 | 40112 | 40112 | 40112 |       |
|               | S/T            | 0.81                   | 0.94  | 1.00  | 1.00  | 0.62  | 0.74  | 0.86  | 0.97  | 0.54  | 0.65  | 0.77  | 0.88  | 0.34  | 0.44  | 0.55  | 0.91  |       |
|               | PI             | 7.16                   | 7.16  | 7.16  | 7.16  | 7.19  | 7.19  | 7.19  | 7.19  | 7.21  | 7.21  | 7.21  | 7.21  | 7.27  | 7.27  | 7.27  | 7.27  |       |

COOLING PERFORMANCE - 48K HH (Sheet 3 of 4)

| AIRFLOW (CFM) | OUTDOOR (DB F) | ID (WB F)<br>ID (DB F) | 60.8  |       |       |       | 64.4  |       |       |       | 66.2  |       |       |       | 71.6  |       |       |       |
|---------------|----------------|------------------------|-------|-------|-------|-------|-------|-------|-------|-------|-------|-------|-------|-------|-------|-------|-------|-------|
|               |                |                        | 73.4  | 77.0  | 80.6  | 84.2  | 73.4  | 77.0  | 80.6  | 84.2  | 73.4  | 77.0  | 80.6  | 84.2  | 73.4  | 77.0  | 80.6  | 84.2  |
| 1283          | -22            | TC                     | 52100 | 52100 | 52623 | 53146 | 54542 | 54542 | 54542 | 55059 | 55760 | 55760 | 55760 | 55760 | 59009 | 59009 | 59009 | 59009 |
|               |                | S/T                    | 0.72  | 0.82  | 1.00  | 1.00  | 0.57  | 0.66  | 0.75  | 0.96  | 0.49  | 0.59  | 0.68  | 0.76  | 0.33  | 0.42  | 0.49  | 0.58  |
|               |                | PI                     | 4.64  | 4.64  | 4.64  | 4.64  | 4.65  | 4.65  | 4.65  | 4.65  | 4.66  | 4.66  | 4.65  | 4.66  | 4.70  | 4.70  | 4.70  | 4.70  |
|               | -10            | TC                     | 51715 | 51715 | 52234 | 52754 | 54233 | 54233 | 54233 | 54746 | 55482 | 55482 | 55482 | 55482 | 58831 | 58831 | 58831 | 58831 |
|               |                | S/T                    | 0.73  | 0.82  | 1.00  | 1.00  | 0.57  | 0.66  | 0.76  | 0.97  | 0.50  | 0.59  | 0.68  | 0.77  | 0.34  | 0.42  | 0.50  | 0.58  |
|               |                | PI                     | 4.20  | 4.20  | 4.20  | 4.20  | 4.20  | 4.20  | 4.20  | 4.20  | 4.20  | 4.20  | 4.20  | 4.20  | 4.23  | 4.23  | 4.23  | 4.23  |
|               | 0              | TC                     | 51394 | 51394 | 51910 | 52426 | 53975 | 53975 | 53975 | 54486 | 55250 | 55250 | 55250 | 55250 | 58682 | 58682 | 58682 | 58682 |
|               |                | S/T                    | 0.73  | 0.83  | 1.00  | 1.00  | 0.58  | 0.66  | 0.76  | 0.97  | 0.50  | 0.60  | 0.68  | 0.77  | 0.34  | 0.42  | 0.50  | 0.59  |
|               |                | PI                     | 4.08  | 4.08  | 4.08  | 4.08  | 4.09  | 4.09  | 4.09  | 4.09  | 4.09  | 4.09  | 4.09  | 4.09  | 4.10  | 4.10  | 4.10  | 4.10  |
|               | 5              | TC                     | 51244 | 51244 | 51759 | 52273 | 53876 | 53876 | 53876 | 54386 | 55166 | 55166 | 55166 | 55166 | 58642 | 58642 | 58642 | 58642 |
|               |                | S/T                    | 0.73  | 0.83  | 1.00  | 1.00  | 0.58  | 0.67  | 0.76  | 0.98  | 0.50  | 0.60  | 0.69  | 0.77  | 0.34  | 0.42  | 0.50  | 0.59  |
|               |                | PI                     | 3.83  | 3.83  | 3.83  | 3.83  | 3.83  | 3.83  | 3.83  | 3.83  | 3.82  | 3.82  | 3.82  | 3.82  | 3.81  | 3.81  | 3.81  | 3.81  |
|               | 14             | TC                     | 50940 | 50940 | 51452 | 51963 | 53574 | 53574 | 53574 | 54081 | 54890 | 54890 | 54890 | 54890 | 58444 | 58444 | 58444 | 58444 |
|               |                | S/T                    | 0.74  | 0.83  | 1.00  | 1.00  | 0.58  | 0.67  | 0.77  | 0.98  | 0.50  | 0.60  | 0.69  | 0.78  | 0.34  | 0.43  | 0.50  | 0.59  |
|               |                | PI                     | 3.81  | 3.81  | 3.81  | 3.81  | 3.82  | 3.82  | 3.82  | 3.82  | 3.81  | 3.81  | 3.81  | 3.81  | 3.82  | 3.82  | 3.82  | 3.82  |
|               | 23             | TC                     | 50637 | 50637 | 51145 | 51653 | 53372 | 53372 | 53372 | 53877 | 54688 | 54688 | 54688 | 54688 | 58295 | 58295 | 58295 | 58295 |
|               |                | S/T                    | 0.74  | 0.84  | 1.00  | 1.00  | 0.59  | 0.67  | 0.77  | 0.99  | 0.51  | 0.60  | 0.69  | 0.78  | 0.34  | 0.43  | 0.51  | 0.59  |
|               |                | PI                     | 3.81  | 3.81  | 3.81  | 3.81  | 3.81  | 3.81  | 3.81  | 3.81  | 3.81  | 3.81  | 3.81  | 3.81  | 3.82  | 3.82  | 3.82  | 3.82  |
|               | 32             | TC                     | 50383 | 50383 | 50889 | 51395 | 53170 | 53170 | 53170 | 53673 | 54538 | 54538 | 54538 | 54538 | 58245 | 58245 | 58245 | 58245 |
|               |                | S/T                    | 0.74  | 0.84  | 1.00  | 1.00  | 0.59  | 0.68  | 0.77  | 0.99  | 0.51  | 0.61  | 0.70  | 0.78  | 0.34  | 0.43  | 0.51  | 0.60  |
|               |                | PI                     | 3.82  | 3.82  | 3.82  | 3.82  | 3.83  | 3.83  | 3.83  | 3.83  | 3.83  | 3.83  | 3.83  | 3.83  | 3.84  | 3.84  | 3.84  | 3.84  |
|               | 41             | TC                     | 50130 | 50130 | 50634 | 51137 | 52968 | 52968 | 52968 | 53470 | 54361 | 54361 | 54361 | 54361 | 58196 | 58196 | 58196 | 58196 |
|               |                | S/T                    | 0.75  | 0.85  | 1.00  | 1.00  | 0.59  | 0.68  | 0.78  | 1.00  | 0.51  | 0.61  | 0.70  | 0.79  | 0.34  | 0.43  | 0.51  | 0.60  |
|               |                | PI                     | 3.86  | 3.86  | 3.86  | 3.86  | 3.86  | 3.86  | 3.86  | 3.86  | 3.86  | 3.86  | 3.86  | 3.86  | 3.86  | 3.86  | 3.86  | 3.86  |
|               | 50             | TC                     | 49826 | 49826 | 50327 | 50827 | 52716 | 52716 | 52716 | 53215 | 54135 | 54135 | 54135 | 54135 | 58047 | 58047 | 58047 | 58047 |
|               |                | S/T                    | 0.75  | 0.85  | 1.00  | 1.00  | 0.59  | 0.68  | 0.78  | 1.00  | 0.51  | 0.61  | 0.70  | 0.79  | 0.35  | 0.44  | 0.51  | 0.60  |
|               |                | PI                     | 3.92  | 3.92  | 3.92  | 3.92  | 3.92  | 3.92  | 3.92  | 3.92  | 3.92  | 3.92  | 3.92  | 3.92  | 3.91  | 3.91  | 3.91  | 3.91  |
|               | 59             | TC                     | 49421 | 49421 | 49918 | 50414 | 52363 | 52363 | 52363 | 52859 | 53808 | 53808 | 53808 | 53808 | 57799 | 57799 | 57799 | 57799 |
|               |                | S/T                    | 0.76  | 0.86  | 0.96  | 1.00  | 0.60  | 0.69  | 0.79  | 0.88  | 0.52  | 0.62  | 0.71  | 0.80  | 0.35  | 0.44  | 0.52  | 0.61  |
|               |                | PI                     | 4.02  | 4.02  | 4.02  | 4.02  | 4.01  | 4.01  | 4.01  | 4.01  | 4.01  | 4.01  | 4.01  | 4.01  | 4.00  | 4.00  | 4.00  | 4.00  |
|               | 68             | TC                     | 48864 | 48864 | 49355 | 49846 | 51808 | 51808 | 51808 | 52299 | 53280 | 53280 | 53280 | 53280 | 57303 | 57303 | 57303 | 57303 |
|               |                | S/T                    | 0.76  | 0.86  | 0.96  | 1.00  | 0.60  | 0.69  | 0.79  | 0.88  | 0.52  | 0.62  | 0.71  | 0.80  | 0.35  | 0.44  | 0.52  | 0.61  |
|               |                | PI                     | 4.16  | 4.16  | 4.16  | 4.16  | 4.15  | 4.15  | 4.15  | 4.15  | 4.14  | 4.14  | 4.14  | 4.14  | 4.12  | 4.12  | 4.12  | 4.12  |
|               | 77             | TC                     | 46608 | 46608 | 47098 | 47589 | 49453 | 49453 | 49453 | 49944 | 50925 | 50925 | 50925 | 50925 | 54850 | 54850 | 54850 | 54850 |
|               |                | S/T                    | 0.77  | 0.87  | 0.98  | 1.00  | 0.60  | 0.70  | 0.80  | 0.90  | 0.52  | 0.62  | 0.72  | 0.82  | 0.35  | 0.44  | 0.53  | 0.62  |
|               |                | PI                     | 4.59  | 4.59  | 4.59  | 4.59  | 4.58  | 4.58  | 4.58  | 4.58  | 4.58  | 4.58  | 4.58  | 4.58  | 4.59  | 4.59  | 4.59  | 4.59  |
| 86            | TC             | 44351                  | 44841 | 45332 | 45823 | 47196 | 47196 | 47196 | 47687 | 48668 | 48668 | 48668 | 48668 | 52397 | 52397 | 52397 | 52397 |       |
|               | S/T            | 0.78                   | 0.89  | 1.00  | 1.00  | 0.61  | 0.71  | 0.82  | 0.92  | 0.53  | 0.63  | 0.73  | 0.84  | 0.34  | 0.44  | 0.53  | 0.63  |       |
|               | PI             | 5.02                   | 5.02  | 5.02  | 5.02  | 5.03  | 5.03  | 5.03  | 5.03  | 5.04  | 5.04  | 5.04  | 5.04  | 5.06  | 5.06  | 5.06  | 5.06  |       |
| 95            | TC             | 42192                  | 42585 | 42977 | 43370 | 44841 | 44841 | 44841 | 45332 | 46313 | 46313 | 47000 | 46313 | 49944 | 49944 | 49944 | 49944 |       |
|               | S/T            | 0.80                   | 0.91  | 1.00  | 1.00  | 0.62  | 0.73  | 0.84  | 0.94  | 0.53  | 0.64  | 0.74  | 0.86  | 0.34  | 0.44  | 0.54  | 0.64  |       |
|               | PI             | 5.49                   | 5.49  | 5.49  | 5.49  | 5.51  | 5.51  | 5.51  | 5.51  | 5.52  | 5.52  | 5.53  | 5.52  | 5.56  | 5.56  | 5.56  | 5.56  |       |
| 104           | TC             | 39335                  | 39723 | 40112 | 40500 | 41869 | 41869 | 42045 | 42487 | 43237 | 43237 | 43608 | 43414 | 46698 | 46698 | 46698 | 46698 |       |
|               | S/T            | 0.83                   | 0.95  | 1.00  | 1.00  | 0.63  | 0.75  | 0.88  | 0.99  | 0.54  | 0.66  | 0.78  | 0.89  | 0.34  | 0.44  | 0.55  | 0.90  |       |
|               | PI             | 6.06                   | 6.06  | 6.06  | 6.06  | 6.09  | 6.09  | 6.09  | 6.09  | 6.10  | 6.10  | 6.10  | 6.10  | 6.15  | 6.15  | 6.15  | 6.15  |       |
| 115           | TC             | 36421                  | 36809 | 37198 | 37586 | 38849 | 38849 | 39237 | 39626 | 40112 | 40112 | 40112 | 40500 | 43414 | 43414 | 43414 | 43414 |       |
|               | S/T            | 0.84                   | 0.97  | 1.00  | 1.00  | 0.64  | 0.77  | 0.89  | 1.00  | 0.55  | 0.67  | 0.79  | 0.91  | 0.33  | 0.45  | 0.56  | 0.92  |       |
|               | PI             | 6.74                   | 6.74  | 6.74  | 6.74  | 6.77  | 6.77  | 6.77  | 6.77  | 6.79  | 6.79  | 6.79  | 6.79  | 6.85  | 6.85  | 6.85  | 6.85  |       |
| 122           | TC             | 34187                  | 34576 | 34964 | 35353 | 36518 | 36518 | 36906 | 37295 | 37683 | 37683 | 37683 | 38072 | 40888 | 40888 | 40888 | 40888 |       |
|               | S/T            | 0.86                   | 1.00  | 1.00  | 1.00  | 0.65  | 0.79  | 0.92  | 1.00  | 0.55  | 0.68  | 0.82  | 0.94  | 0.33  | 0.45  | 0.57  | 0.97  |       |
|               | PI             | 7.30                   | 7.30  | 7.30  | 7.30  | 7.34  | 7.34  | 7.34  | 7.34  | 7.35  | 7.35  | 7.35  | 7.35  | 7.41  | 7.41  | 7.41  | 7.41  |       |

Manufacturer reserves the right to change, at any time, specifications and designs without notice and without obligations.

COOLING PERFORMANCE - 48K HH (Sheet 4 of 4)

| AIRFLOW (CFM) | OUTDOOR (DB F) | ID (WB F)<br>ID (DB F) | 60.8  |       |       |       | 64.4  |       |       |       | 66.2  |       |       |       | 71.6  |       |       |       |
|---------------|----------------|------------------------|-------|-------|-------|-------|-------|-------|-------|-------|-------|-------|-------|-------|-------|-------|-------|-------|
|               |                |                        | 73.4  | 77.0  | 80.6  | 84.2  | 73.4  | 77.0  | 80.6  | 84.2  | 73.4  | 77.0  | 80.6  | 84.2  | 73.4  | 77.0  | 80.6  | 84.2  |
| 1470          | -22            | TC                     | 53168 | 53168 | 53690 | 54213 | 55595 | 55595 | 55595 | 56653 | 56806 | 56806 | 56806 | 56806 | 60142 | 60142 | 60142 | 60142 |
|               |                | S/T                    | 0.75  | 0.87  | 1.00  | 1.00  | 0.59  | 0.68  | 0.79  | 1.00  | 0.49  | 0.61  | 0.70  | 0.80  | 0.32  | 0.42  | 0.50  | 0.60  |
|               |                | PI                     | 3.91  | 3.91  | 3.91  | 3.91  | 3.91  | 3.91  | 3.91  | 3.91  | 3.88  | 3.88  | 3.88  | 3.88  | 3.86  | 3.86  | 3.86  | 3.86  |
|               | -10            | TC                     | 52775 | 52775 | 53294 | 53813 | 55280 | 55280 | 55280 | 56332 | 56523 | 56523 | 56523 | 56523 | 59960 | 59960 | 59960 | 59960 |
|               |                | S/T                    | 0.76  | 0.87  | 1.00  | 1.00  | 0.59  | 0.68  | 0.80  | 1.00  | 0.50  | 0.61  | 0.71  | 0.81  | 0.33  | 0.42  | 0.51  | 0.60  |
|               |                | PI                     | 3.90  | 3.90  | 3.90  | 3.90  | 3.90  | 3.90  | 3.90  | 3.90  | 3.89  | 3.89  | 3.89  | 3.89  | 3.87  | 3.87  | 3.87  | 3.87  |
|               | 0              | TC                     | 52448 | 52448 | 52963 | 53479 | 55017 | 55017 | 55017 | 56064 | 56286 | 56286 | 56286 | 56286 | 59808 | 59808 | 59808 | 59808 |
|               |                | S/T                    | 0.76  | 0.88  | 1.00  | 1.00  | 0.60  | 0.68  | 0.80  | 1.00  | 0.50  | 0.62  | 0.71  | 0.81  | 0.33  | 0.42  | 0.51  | 0.61  |
|               |                | PI                     | 3.90  | 3.90  | 3.90  | 3.90  | 3.90  | 3.90  | 3.90  | 3.90  | 3.89  | 3.89  | 3.89  | 3.89  | 3.88  | 3.88  | 3.88  | 3.88  |
|               | 5              | TC                     | 52294 | 52294 | 52809 | 53323 | 54916 | 54916 | 54916 | 55961 | 56201 | 56201 | 56201 | 56201 | 59768 | 59768 | 59768 | 59768 |
|               |                | S/T                    | 0.76  | 0.88  | 1.00  | 1.00  | 0.60  | 0.69  | 0.80  | 1.00  | 0.50  | 0.62  | 0.72  | 0.81  | 0.33  | 0.42  | 0.51  | 0.61  |
|               |                | PI                     | 3.91  | 3.91  | 3.91  | 3.91  | 3.91  | 3.91  | 3.91  | 3.91  | 3.89  | 3.89  | 3.89  | 3.89  | 3.89  | 3.89  | 3.89  | 3.89  |
|               | 14             | TC                     | 51984 | 51984 | 52495 | 53007 | 54608 | 54608 | 54608 | 55647 | 55920 | 55920 | 55920 | 55920 | 59566 | 59566 | 59566 | 59566 |
|               |                | S/T                    | 0.77  | 0.89  | 1.00  | 1.00  | 0.60  | 0.69  | 0.81  | 1.00  | 0.50  | 0.62  | 0.72  | 0.82  | 0.33  | 0.43  | 0.51  | 0.61  |
|               |                | PI                     | 3.88  | 3.88  | 3.88  | 3.88  | 3.90  | 3.90  | 3.90  | 3.90  | 3.89  | 3.89  | 3.89  | 3.89  | 3.89  | 3.89  | 3.89  | 3.89  |
|               | 23             | TC                     | 51674 | 51674 | 52182 | 52691 | 54402 | 54402 | 54402 | 55437 | 55715 | 55715 | 55715 | 55715 | 59414 | 59414 | 59414 | 59414 |
|               |                | S/T                    | 0.77  | 0.89  | 1.00  | 1.00  | 0.61  | 0.69  | 0.81  | 1.00  | 0.51  | 0.62  | 0.72  | 0.82  | 0.33  | 0.43  | 0.52  | 0.62  |
|               |                | PI                     | 3.88  | 3.88  | 3.88  | 3.88  | 3.89  | 3.89  | 3.89  | 3.89  | 3.89  | 3.89  | 3.89  | 3.89  | 3.90  | 3.90  | 3.90  | 3.90  |
|               | 32             | TC                     | 51416 | 51416 | 51921 | 52427 | 54196 | 54196 | 54196 | 55228 | 55561 | 55561 | 55561 | 55561 | 59364 | 59364 | 59364 | 59364 |
|               |                | S/T                    | 0.78  | 0.89  | 1.00  | 1.00  | 0.61  | 0.70  | 0.82  | 1.00  | 0.51  | 0.63  | 0.73  | 0.83  | 0.33  | 0.43  | 0.52  | 0.62  |
|               |                | PI                     | 3.90  | 3.90  | 3.90  | 3.90  | 3.91  | 3.91  | 3.91  | 3.91  | 3.90  | 3.90  | 3.90  | 3.90  | 3.91  | 3.91  | 3.91  | 3.91  |
|               | 41             | TC                     | 51157 | 51157 | 51661 | 52164 | 53991 | 53991 | 53991 | 55018 | 55381 | 55381 | 55381 | 55381 | 59313 | 59313 | 59313 | 59313 |
|               |                | S/T                    | 0.78  | 0.90  | 0.99  | 0.99  | 0.61  | 0.70  | 0.82  | 1.00  | 0.51  | 0.63  | 0.73  | 0.83  | 0.34  | 0.43  | 0.52  | 0.62  |
|               |                | PI                     | 3.93  | 3.93  | 3.93  | 3.93  | 3.94  | 3.94  | 3.94  | 3.94  | 3.93  | 3.93  | 3.93  | 3.93  | 3.94  | 3.94  | 3.94  | 3.94  |
| 50            | TC             | 50847                  | 50847 | 51347 | 51848 | 53734 | 53734 | 53734 | 54756 | 55151 | 55151 | 55151 | 55151 | 59161 | 59161 | 59161 | 59161 |       |
|               | S/T            | 0.78                   | 0.90  | 1.00  | 1.00  | 0.61  | 0.70  | 0.82  | 1.00  | 0.51  | 0.63  | 0.73  | 0.83  | 0.34  | 0.44  | 0.52  | 0.62  |       |
|               | PI             | 4.00                   | 4.00  | 4.00  | 4.00  | 4.00  | 4.00  | 4.00  | 4.00  | 3.99  | 3.99  | 3.99  | 3.99  | 3.99  | 3.99  | 3.99  | 3.99  |       |
| 59            | TC             | 50434                  | 50434 | 50930 | 51426 | 53374 | 53374 | 53374 | 54389 | 54818 | 54818 | 54818 | 54818 | 58908 | 58908 | 58908 | 58908 |       |
|               | S/T            | 0.79                   | 0.91  | 1.00  | 1.00  | 0.62  | 0.71  | 0.83  | 0.93  | 0.52  | 0.64  | 0.74  | 0.84  | 0.34  | 0.44  | 0.53  | 0.63  |       |
|               | PI             | 4.09                   | 4.09  | 4.09  | 4.09  | 4.10  | 4.10  | 4.10  | 4.10  | 4.08  | 4.08  | 4.08  | 4.08  | 4.08  | 4.08  | 4.08  | 4.08  |       |
| 68            | TC             | 49866                  | 49866 | 50356 | 50846 | 52808 | 52808 | 52808 | 53813 | 54279 | 54279 | 54279 | 54279 | 58403 | 58403 | 58403 | 58403 |       |
|               | S/T            | 0.79                   | 0.91  | 1.00  | 1.00  | 0.62  | 0.71  | 0.83  | 0.93  | 0.52  | 0.64  | 0.74  | 0.84  | 0.34  | 0.44  | 0.53  | 0.63  |       |
|               | PI             | 4.24                   | 4.24  | 4.24  | 4.24  | 4.24  | 4.24  | 4.24  | 4.24  | 4.22  | 4.22  | 4.22  | 4.22  | 4.20  | 4.20  | 4.20  | 4.20  |       |
| 77            | TC             | 47508                  | 47508 | 47998 | 48489 | 50352 | 50352 | 50352 | 51356 | 51824 | 51824 | 51824 | 51824 | 55951 | 55951 | 55951 | 55951 |       |
|               | S/T            | 0.81                   | 0.91  | 1.00  | 1.00  | 0.61  | 0.73  | 0.84  | 0.95  | 0.52  | 0.64  | 0.75  | 0.87  | 0.34  | 0.44  | 0.54  | 0.65  |       |
|               | PI             | 4.68                   | 4.68  | 4.68  | 4.68  | 4.67  | 4.67  | 4.67  | 4.67  | 4.67  | 4.67  | 4.67  | 4.67  | 4.68  | 4.68  | 4.68  | 4.68  |       |
| 86            | TC             | 45150                  | 46154 | 46749 | 47343 | 48096 | 48096 | 48096 | 49101 | 49669 | 49669 | 49669 | 49669 | 53397 | 53397 | 53397 | 53397 |       |
|               | S/T            | 0.81                   | 0.94  | 1.00  | 1.00  | 0.63  | 0.74  | 0.87  | 0.97  | 0.54  | 0.65  | 0.76  | 0.89  | 0.33  | 0.44  | 0.54  | 0.66  |       |
|               | PI             | 5.12                   | 5.12  | 5.12  | 5.12  | 5.13  | 5.13  | 5.13  | 5.13  | 5.14  | 5.14  | 5.14  | 5.14  | 5.16  | 5.16  | 5.16  | 5.16  |       |
| 95            | TC             | 42992                  | 43795 | 44188 | 44580 | 45640 | 45640 | 45640 | 46233 | 47213 | 47213 | 47900 | 47213 | 50945 | 50945 | 50945 | 50945 |       |
|               | S/T            | 0.84                   | 0.96  | 1.00  | 1.00  | 0.64  | 0.77  | 0.89  | 1.00  | 0.54  | 0.66  | 0.77  | 0.92  | 0.33  | 0.44  | 0.56  | 0.67  |       |
|               | PI             | 5.60                   | 5.60  | 5.60  | 5.60  | 5.62  | 5.62  | 5.62  | 5.62  | 5.63  | 5.63  | 5.64  | 5.63  | 5.71  | 5.71  | 5.71  | 5.71  |       |
| 104           | TC             | 40081                  | 40691 | 41079 | 41467 | 42660 | 42660 | 43021 | 43518 | 44083 | 44083 | 44454 | 44444 | 47598 | 47598 | 47598 | 47598 |       |
|               | S/T            | 0.88                   | 1.00  | 1.00  | 1.00  | 0.65  | 0.79  | 0.94  | 1.00  | 0.55  | 0.69  | 0.83  | 0.94  | 0.34  | 0.44  | 0.57  | 1.00  |       |
|               | PI             | 6.18                   | 6.18  | 6.18  | 6.18  | 6.20  | 6.20  | 6.20  | 6.20  | 6.22  | 6.22  | 6.22  | 6.22  | 6.29  | 6.29  | 6.29  | 6.29  |       |
| 115           | TC             | 37114                  | 37502 | 37890 | 38279 | 39642 | 39642 | 40439 | 40827 | 40904 | 40904 | 40904 | 41700 | 44205 | 44205 | 44205 | 44205 |       |
|               | S/T            | 0.89                   | 1.00  | 1.00  | 1.00  | 0.67  | 0.81  | 0.94  | 1.00  | 0.57  | 0.70  | 0.83  | 0.97  | 0.32  | 0.46  | 0.58  | 1.00  |       |
|               | PI             | 6.87                   | 6.87  | 6.87  | 6.87  | 6.90  | 6.90  | 6.90  | 6.90  | 6.92  | 6.92  | 6.92  | 6.92  | 6.99  | 6.99  | 6.99  | 6.99  |       |
| 122           | TC             | 34881                  | 35370 | 35861 | 36249 | 37211 | 37211 | 38007 | 38395 | 38376 | 38376 | 38376 | 39171 | 41681 | 41681 | 41681 | 41681 |       |
|               | S/T            | 0.92                   | 1.00  | 1.00  | 1.00  | 0.68  | 0.84  | 0.98  | 1.00  | 0.56  | 0.71  | 0.87  | 1.00  | 0.32  | 0.46  | 0.59  | 1.00  |       |
|               | PI             | 7.44                   | 7.44  | 7.44  | 7.44  | 7.49  | 7.49  | 7.49  | 7.49  | 7.49  | 7.49  | 7.49  | 7.49  | 7.55  | 7.55  | 7.55  | 7.55  |       |

LEGEND

- TC - Total Cooling Capacity (BTU/hr)
- S/T - Sensible Cooling Capacity Ratio
- PI - Power Input (kW)
- Gray shaded area is Extrapolated Data

HEATING PERFORMANCE AT INDOOR DRY BULB TEMPERATURE- 48K HH (Sheet 1 of 2)

| AIRFLOW<br>(CFM) | OUTDOOR<br>(DB F) | TC?TOTAL CAPACITY IN BTU/HR |       |       |       | PI?TOTAL POWER IN KILOWATTS |      |      |      |
|------------------|-------------------|-----------------------------|-------|-------|-------|-----------------------------|------|------|------|
|                  |                   | Indoor Conditions (DB F)    |       |       |       | Indoor Conditions (DB F)    |      |      |      |
|                  |                   | 60.8                        | 68.0  | 71.6  | 75.2  | 60.8                        | 68.0 | 71.6 | 75.2 |
| 906              | -22.0             | 32845                       | 32576 | 32442 | 32240 | 4.05                        | 4.20 | 4.11 | 4.13 |
|                  | -10.0             | 37792                       | 37483 | 37328 | 37096 | 4.75                        | 4.91 | 4.81 | 4.84 |
|                  | 0.0               | 41914                       | 41571 | 41400 | 41143 | 5.32                        | 5.51 | 5.40 | 5.43 |
|                  | 5.0               | 44119                       | 43758 | 43578 | 43307 | 5.64                        | 5.84 | 5.72 | 5.76 |
|                  | 14.0              | 47110                       | 46725 | 46532 | 46243 | 6.02                        | 6.23 | 6.10 | 6.14 |
|                  | 17.0              | 49354                       | 48950 | 48748 | 48445 | 6.39                        | 6.62 | 6.48 | 6.52 |
|                  | 22.0              | 48454                       | 48058 | 47860 | 47563 | 6.23                        | 6.28 | 6.31 | 6.34 |
|                  | 27.0              | 47464                       | 46968 | 46770 | 46572 | 5.91                        | 5.95 | 5.97 | 5.99 |
|                  | 32.0              | 45977                       | 45482 | 45284 | 44986 | 5.59                        | 5.62 | 5.63 | 5.65 |
|                  | 37.0              | 45977                       | 45482 | 45184 | 44887 | 5.33                        | 5.35 | 5.35 | 5.36 |
|                  | 42.0              | 47464                       | 46869 | 46572 | 46274 | 5.07                        | 5.07 | 5.07 | 5.07 |
|                  | 44.6              | 49130                       | 48515 | 48416 | 48119 | 4.94                        | 4.78 | 4.93 | 4.92 |
|                  | 52.0              | 49307                       | 48614 | 48317 | 47921 | 4.50                        | 4.48 | 4.46 | 4.45 |
|                  | 57.0              | 49307                       | 48614 | 48218 | 47822 | 4.22                        | 4.18 | 4.16 | 4.14 |
| 62.0             | 49307             | 48515                       | 48119 | 47723 | 3.93  | 3.88                        | 3.85 | 3.82 |      |
| 64.4             | 49307             | 48515                       | 48119 | 47723 | 3.79  | 3.73                        | 3.70 | 3.67 |      |
| 1095             | -22.0             | 33528                       | 33259 | 33125 | 32991 | 4.09                        | 4.24 | 4.15 | 4.18 |
|                  | -10.0             | 38578                       | 38269 | 38114 | 37960 | 4.80                        | 4.97 | 4.86 | 4.89 |
|                  | 0.0               | 42786                       | 42443 | 42272 | 42100 | 5.38                        | 5.57 | 5.46 | 5.49 |
|                  | 5.0               | 45037                       | 44676 | 44496 | 44315 | 5.70                        | 5.91 | 5.78 | 5.82 |
|                  | 14.0              | 48090                       | 47705 | 47512 | 47319 | 6.08                        | 6.30 | 6.17 | 6.20 |
|                  | 17.0              | 50380                       | 49977 | 49775 | 49573 | 6.46                        | 6.69 | 6.55 | 6.59 |
|                  | 22.0              | 49445                       | 49049 | 48851 | 48653 | 6.29                        | 6.35 | 6.37 | 6.39 |
|                  | 27.0              | 48454                       | 47959 | 47761 | 47464 | 5.97                        | 6.01 | 6.03 | 6.06 |
|                  | 32.0              | 46968                       | 46473 | 46175 | 45878 | 5.65                        | 5.68 | 5.69 | 5.71 |
|                  | 37.0              | 46968                       | 46374 | 46076 | 45779 | 5.39                        | 5.39 | 5.40 | 5.41 |
|                  | 42.0              | 48454                       | 47761 | 47464 | 47166 | 5.12                        | 5.12 | 5.12 | 5.12 |
|                  | 44.6              | 50224                       | 49505 | 49406 | 49109 | 4.99                        | 4.83 | 4.98 | 4.98 |
|                  | 52.0              | 50297                       | 49604 | 49307 | 48911 | 4.55                        | 4.52 | 4.51 | 4.50 |
|                  | 57.0              | 50297                       | 49604 | 49208 | 48812 | 4.27                        | 4.22 | 4.20 | 4.18 |
| 62.0             | 50297             | 49505                       | 49109 | 48713 | 3.97  | 3.91                        | 3.89 | 3.86 |      |
| 64.4             | 50297             | 49505                       | 49109 | 48713 | 3.83  | 3.77                        | 3.74 | 3.70 |      |
| 1283             | -22.0             | 33902                       | 33565 | 33431 | 33296 | 4.14                        | 4.28 | 4.20 | 4.21 |
|                  | -10.0             | 39008                       | 38621 | 38466 | 38311 | 4.85                        | 5.02 | 4.91 | 4.94 |
|                  | 0.0               | 43263                       | 42834 | 42662 | 42490 | 5.44                        | 5.63 | 5.51 | 5.54 |
|                  | 5.0               | 45539                       | 45087 | 44906 | 44725 | 5.76                        | 5.97 | 5.84 | 5.87 |
|                  | 14.0              | 48626                       | 48144 | 47951 | 47758 | 6.15                        | 6.36 | 6.23 | 6.26 |
|                  | 17.0              | 50942                       | 50436 | 50234 | 50032 | 6.53                        | 6.76 | 6.62 | 6.65 |
|                  | 22.0              | 49941                       | 49445 | 49247 | 49049 | 6.36                        | 6.40 | 6.43 | 6.46 |
|                  | 27.0              | 48950                       | 48454 | 48157 | 47959 | 6.03                        | 6.08 | 6.10 | 6.12 |
|                  | 32.0              | 47364                       | 46869 | 46572 | 46374 | 5.71                        | 5.74 | 5.75 | 5.77 |
|                  | 37.0              | 47364                       | 46869 | 46572 | 46274 | 5.44                        | 5.45 | 5.46 | 5.46 |
|                  | 42.0              | 48851                       | 48256 | 47959 | 47662 | 5.17                        | 5.17 | 5.17 | 5.17 |
|                  | 44.6              | 50616                       | 50000 | 49901 | 49604 | 5.04                        | 4.88 | 5.03 | 5.03 |
|                  | 52.0              | 50792                       | 50099 | 49802 | 49406 | 4.60                        | 4.57 | 4.56 | 4.54 |
|                  | 57.0              | 50792                       | 50099 | 49703 | 49307 | 4.31                        | 4.27 | 4.25 | 4.23 |
| 62.0             | 50792             | 50000                       | 49604 | 49208 | 4.01  | 3.96                        | 3.93 | 3.90 |      |
| 64.4             | 50792             | 50000                       | 49604 | 49208 | 3.87  | 3.81                        | 3.77 | 3.74 |      |

HEATING PERFORMANCE AT INDOOR DRY BULB TEMPERATURE- 48K HH (Sheet 2 of 2)

| AIRFLOW<br>(CFM) | OUTDOOR<br>(DB F) | TC?TOTAL CAPACITY IN BTU/HR |       |       |       | PI?TOTAL POWER IN KILOWATTS |      |      |      |
|------------------|-------------------|-----------------------------|-------|-------|-------|-----------------------------|------|------|------|
|                  |                   | Indoor Conditions (DB F)    |       |       |       | Indoor Conditions (DB F)    |      |      |      |
|                  |                   | 60.8                        | 68.0  | 71.6  | 75.2  | 60.8                        | 68.0 | 71.6 | 75.2 |
| 1470             | -22.0             | 33902                       | 33565 | 33431 | 33296 | 4.14                        | 4.28 | 4.20 | 4.21 |
|                  | -10.0             | 39008                       | 38621 | 38466 | 38311 | 4.85                        | 5.02 | 4.91 | 4.94 |
|                  | 0.0               | 43263                       | 42834 | 42662 | 42490 | 5.44                        | 5.63 | 5.51 | 5.54 |
|                  | 5.0               | 46046                       | 45502 | 45321 | 45140 | 5.83                        | 6.03 | 5.91 | 5.92 |
|                  | 14.0              | 49168                       | 48586 | 48393 | 48200 | 6.21                        | 6.43 | 6.30 | 6.32 |
|                  | 17.0              | 51509                       | 50900 | 50698 | 50495 | 6.60                        | 6.83 | 6.69 | 6.71 |
|                  | 22.0              | 50441                       | 49845 | 49647 | 49449 | 6.43                        | 6.46 | 6.49 | 6.53 |
|                  | 27.0              | 49450                       | 48955 | 48557 | 48460 | 6.09                        | 6.15 | 6.17 | 6.18 |
|                  | 32.0              | 47764                       | 47269 | 46971 | 46874 | 5.77                        | 5.80 | 5.81 | 5.83 |
|                  | 37.0              | 47764                       | 47370 | 47072 | 46775 | 5.50                        | 5.51 | 5.52 | 5.51 |
|                  | 42.0              | 49250                       | 48757 | 48460 | 48162 | 5.22                        | 5.22 | 5.22 | 5.22 |
|                  | 44.6              | 51011                       | 50500 | 50401 | 50104 | 5.09                        | 4.93 | 5.08 | 5.08 |
|                  | 52.0              | 51292                       | 50599 | 50302 | 49906 | 4.65                        | 4.62 | 4.61 | 4.58 |
|                  | 57.0              | 51292                       | 50599 | 50203 | 49807 | 4.35                        | 4.32 | 4.30 | 4.28 |
|                  | 62.0              | 51292                       | 50500 | 50104 | 49708 | 4.05                        | 4.01 | 3.97 | 3.94 |
| 64.4             | 51292             | 50500                       | 50104 | 49708 | 3.91  | 3.85                        | 3.80 | 3.78 |      |

Gray shaded area is Extrapolated Data

COOLING PERFORMANCE - 60K (Sheet 1 of 4)

| AIRFLOW (CFM) | OUTDOOR (DB F) | ID (WB F) | 60.8  |       |       |       | 64.4  |       |       |       | 66.2  |       |       |       | 71.6  |       |       |       |
|---------------|----------------|-----------|-------|-------|-------|-------|-------|-------|-------|-------|-------|-------|-------|-------|-------|-------|-------|-------|
|               |                | ID (DB F) | 73.4  | 77.0  | 80.6  | 84.2  | 73.4  | 77.0  | 80.6  | 84.2  | 73.4  | 77.0  | 80.6  | 84.2  | 73.4  | 77.0  | 80.6  | 84.2  |
| 1136          | -22            | TC        | 60741 | 60752 | 60752 | 60752 | 63599 | 64863 | 64863 | 64863 | 65071 | 65071 | 65071 | 65071 | 68775 | 68775 | 68775 | 68775 |
|               |                | S/T       | 0.66  | 0.71  | 0.78  | 0.84  | 0.54  | 0.60  | 0.66  | 0.72  | 0.48  | 0.54  | 0.61  | 0.67  | 0.37  | 0.42  | 0.48  | 0.53  |
|               |                | PI        | 4.74  | 4.74  | 4.74  | 4.74  | 4.75  | 4.75  | 4.75  | 4.75  | 4.76  | 4.76  | 4.76  | 4.76  | 4.79  | 4.79  | 4.79  | 4.79  |
|               | -10            | TC        | 60293 | 60303 | 60303 | 60303 | 63239 | 64495 | 64495 | 64495 | 64746 | 64746 | 64746 | 64746 | 68567 | 68567 | 68567 | 68567 |
|               |                | S/T       | 0.66  | 0.72  | 0.79  | 0.84  | 0.55  | 0.60  | 0.66  | 0.73  | 0.49  | 0.55  | 0.61  | 0.67  | 0.37  | 0.42  | 0.48  | 0.54  |
|               |                | PI        | 4.29  | 4.28  | 4.28  | 4.29  | 4.29  | 4.29  | 4.29  | 4.29  | 4.30  | 4.30  | 4.30  | 4.30  | 4.32  | 4.32  | 4.32  | 4.32  |
|               | 0              | TC        | 59919 | 59929 | 59929 | 59929 | 62938 | 64188 | 64188 | 64188 | 64475 | 64475 | 64475 | 64475 | 68393 | 68393 | 68393 | 68393 |
|               |                | S/T       | 0.66  | 0.72  | 0.79  | 0.85  | 0.55  | 0.61  | 0.66  | 0.73  | 0.49  | 0.55  | 0.62  | 0.67  | 0.38  | 0.42  | 0.48  | 0.54  |
|               |                | PI        | 4.00  | 4.00  | 4.00  | 4.00  | 4.00  | 4.00  | 4.00  | 4.00  | 4.01  | 4.01  | 4.01  | 4.01  | 4.01  | 4.01  | 4.01  | 4.01  |
|               | 5              | TC        | 59744 | 59754 | 59754 | 59754 | 62823 | 64071 | 64071 | 64071 | 64378 | 64378 | 64378 | 64378 | 68347 | 68347 | 68347 | 68347 |
|               |                | S/T       | 0.67  | 0.72  | 0.79  | 0.85  | 0.55  | 0.61  | 0.67  | 0.73  | 0.49  | 0.55  | 0.62  | 0.68  | 0.38  | 0.42  | 0.48  | 0.54  |
|               |                | PI        | 3.76  | 3.76  | 3.76  | 3.76  | 3.74  | 3.74  | 3.74  | 3.74  | 3.75  | 3.75  | 3.75  | 3.75  | 3.74  | 3.74  | 3.74  | 3.74  |
|               | 14             | TC        | 59389 | 59400 | 59400 | 59400 | 62470 | 63711 | 63711 | 63711 | 64055 | 64055 | 64055 | 64055 | 68116 | 68116 | 68116 | 68116 |
|               |                | S/T       | 0.67  | 0.73  | 0.80  | 0.85  | 0.55  | 0.61  | 0.67  | 0.74  | 0.49  | 0.55  | 0.62  | 0.68  | 0.38  | 0.43  | 0.49  | 0.54  |
|               |                | PI        | 3.74  | 3.74  | 3.74  | 3.74  | 3.73  | 3.73  | 3.73  | 3.73  | 3.74  | 3.74  | 3.74  | 3.74  | 3.74  | 3.74  | 3.74  | 3.74  |
|               | 23             | TC        | 59035 | 59045 | 59045 | 59045 | 62235 | 63471 | 63471 | 63471 | 63820 | 63820 | 63820 | 63820 | 67942 | 67942 | 67942 | 67942 |
|               |                | S/T       | 0.67  | 0.73  | 0.80  | 0.86  | 0.56  | 0.62  | 0.67  | 0.74  | 0.50  | 0.56  | 0.62  | 0.68  | 0.38  | 0.43  | 0.49  | 0.55  |
|               |                | PI        | 3.73  | 3.73  | 3.73  | 3.73  | 3.73  | 3.73  | 3.73  | 3.73  | 3.74  | 3.74  | 3.74  | 3.74  | 3.75  | 3.75  | 3.75  | 3.75  |
|               | 32             | TC        | 58740 | 58750 | 58750 | 58750 | 61999 | 63231 | 63231 | 63231 | 63644 | 63644 | 63644 | 63644 | 67884 | 67884 | 67884 | 67884 |
|               |                | S/T       | 0.68  | 0.74  | 0.80  | 0.86  | 0.56  | 0.62  | 0.68  | 0.74  | 0.50  | 0.56  | 0.63  | 0.69  | 0.38  | 0.43  | 0.49  | 0.55  |
|               |                | PI        | 3.75  | 3.75  | 3.75  | 3.75  | 3.74  | 3.74  | 3.74  | 3.74  | 3.75  | 3.75  | 3.75  | 3.75  | 3.76  | 3.76  | 3.76  | 3.76  |
|               | 41             | TC        | 58445 | 58455 | 58455 | 58455 | 61764 | 62991 | 62991 | 62991 | 63439 | 63439 | 63439 | 63439 | 67827 | 67827 | 67827 | 67827 |
|               |                | S/T       | 0.68  | 0.74  | 0.81  | 0.87  | 0.56  | 0.62  | 0.68  | 0.75  | 0.50  | 0.56  | 0.63  | 0.69  | 0.38  | 0.43  | 0.49  | 0.55  |
|               |                | PI        | 3.78  | 3.78  | 3.78  | 3.78  | 3.78  | 3.78  | 3.78  | 3.78  | 3.78  | 3.78  | 3.78  | 3.78  | 3.79  | 3.79  | 3.79  | 3.79  |
|               | 50             | TC        | 58091 | 58101 | 58101 | 58101 | 61470 | 62691 | 62691 | 62691 | 63175 | 63175 | 63175 | 63175 | 67653 | 67653 | 67653 | 67653 |
|               |                | S/T       | 0.68  | 0.74  | 0.81  | 0.87  | 0.56  | 0.62  | 0.68  | 0.75  | 0.50  | 0.56  | 0.63  | 0.69  | 0.39  | 0.44  | 0.50  | 0.55  |
|               |                | PI        | 3.85  | 3.85  | 3.85  | 3.85  | 3.83  | 3.83  | 3.83  | 3.83  | 3.84  | 3.84  | 3.84  | 3.84  | 3.84  | 3.84  | 3.84  | 3.84  |
|               | 59             | TC        | 57618 | 57628 | 57628 | 57628 | 61058 | 62271 | 62271 | 62271 | 62793 | 62793 | 62793 | 62793 | 67364 | 67364 | 67364 | 67364 |
|               |                | S/T       | 0.69  | 0.75  | 0.82  | 0.88  | 0.57  | 0.63  | 0.69  | 0.76  | 0.51  | 0.57  | 0.64  | 0.70  | 0.39  | 0.44  | 0.50  | 0.56  |
|               |                | PI        | 3.94  | 3.94  | 3.94  | 3.94  | 3.92  | 3.92  | 3.92  | 3.92  | 3.93  | 3.93  | 3.93  | 3.93  | 3.92  | 3.92  | 3.92  | 3.92  |
|               | 68             | TC        | 56969 | 56979 | 56979 | 56979 | 60411 | 60411 | 60411 | 60411 | 62176 | 62176 | 62176 | 62176 | 66786 | 66786 | 66786 | 66786 |
|               |                | S/T       | 0.69  | 0.75  | 0.82  | 0.88  | 0.57  | 0.63  | 0.69  | 0.76  | 0.51  | 0.57  | 0.64  | 0.70  | 0.39  | 0.44  | 0.50  | 0.56  |
|               |                | PI        | 4.08  | 4.08  | 4.08  | 4.08  | 4.06  | 4.06  | 4.06  | 4.06  | 4.06  | 4.06  | 4.06  | 4.06  | 4.04  | 4.04  | 4.04  | 4.04  |
|               | 77             | TC        | 54331 | 54331 | 54331 | 54919 | 57665 | 57665 | 57665 | 57665 | 59431 | 59431 | 59431 | 59431 | 63942 | 63942 | 63942 | 63942 |
|               |                | S/T       | 0.69  | 0.76  | 0.83  | 0.90  | 0.57  | 0.63  | 0.70  | 0.77  | 0.51  | 0.58  | 0.64  | 0.70  | 0.38  | 0.44  | 0.50  | 0.56  |
|               |                | PI        | 4.50  | 4.50  | 4.50  | 4.50  | 4.49  | 4.49  | 4.49  | 4.49  | 4.49  | 4.49  | 4.49  | 4.49  | 4.50  | 4.50  | 4.50  | 4.50  |
|               | 86             | TC        | 51781 | 51781 | 51781 | 52271 | 55017 | 55017 | 55017 | 55017 | 56783 | 56783 | 56783 | 56783 | 61098 | 61098 | 61098 | 61098 |
|               |                | S/T       | 0.70  | 0.77  | 0.84  | 0.91  | 0.57  | 0.64  | 0.71  | 0.78  | 0.51  | 0.58  | 0.65  | 0.71  | 0.38  | 0.44  | 0.50  | 0.56  |
|               |                | PI        | 4.92  | 4.92  | 4.92  | 4.92  | 4.93  | 4.93  | 4.93  | 4.93  | 4.94  | 4.94  | 4.94  | 4.94  | 4.96  | 4.96  | 4.96  | 4.96  |
|               | 95             | TC        | 49133 | 49133 | 49133 | 49624 | 52369 | 52369 | 52369 | 52369 | 53939 | 53939 | 54821 | 53939 | 58254 | 58254 | 58254 | 58254 |
| S/T           |                | 0.70      | 0.78  | 0.86  | 0.93  | 0.57  | 0.64  | 0.72  | 0.79  | 0.51  | 0.58  | 0.65  | 0.72  | 0.37  | 0.44  | 0.50  | 0.57  |       |
| PI            |                | 5.38      | 5.38  | 5.38  | 5.38  | 5.40  | 5.40  | 5.40  | 5.40  | 5.41  | 5.41  | 5.42  | 5.41  | 5.45  | 5.45  | 5.45  | 5.45  |       |
| 104           | TC             | 46326     | 46326 | 46504 | 46951 | 49432 | 49432 | 49432 | 49432 | 50958 | 50958 | 51440 | 50958 | 55098 | 55098 | 55098 | 55098 |       |
|               | S/T            | 0.72      | 0.80  | 0.88  | 0.96  | 0.58  | 0.66  | 0.74  | 0.82  | 0.51  | 0.59  | 0.67  | 0.74  | 0.37  | 0.44  | 0.51  | 0.58  |       |
|               | PI             | 5.94      | 5.94  | 5.94  | 5.94  | 5.96  | 5.96  | 5.96  | 5.96  | 5.97  | 5.97  | 5.98  | 5.97  | 6.02  | 6.02  | 6.02  | 6.02  |       |
| 115           | TC             | 42899     | 42899 | 43292 | 43684 | 45844 | 45844 | 45844 | 45844 | 47316 | 47316 | 47316 | 47316 | 51243 | 51243 | 51243 | 51243 |       |
|               | S/T            | 0.72      | 0.81  | 0.90  | 0.98  | 0.58  | 0.66  | 0.75  | 0.83  | 0.51  | 0.59  | 0.67  | 0.76  | 0.36  | 0.44  | 0.51  | 0.58  |       |
|               | PI             | 6.60      | 6.60  | 6.60  | 6.60  | 6.63  | 6.63  | 6.63  | 6.63  | 6.65  | 6.65  | 6.65  | 6.65  | 6.70  | 6.70  | 6.70  | 6.70  |       |
| 122           | TC             | 40248     | 40248 | 40641 | 41034 | 43095 | 43095 | 43095 | 43095 | 44470 | 44470 | 44470 | 44470 | 48200 | 48200 | 48200 | 48200 |       |
|               | S/T            | 0.74      | 0.83  | 0.92  | 1.00  | 0.59  | 0.67  | 0.76  | 0.85  | 0.52  | 0.60  | 0.69  | 0.77  | 0.36  | 0.44  | 0.51  | 0.59  |       |
|               | PI             | 7.15      | 7.15  | 7.15  | 7.15  | 7.18  | 7.18  | 7.18  | 7.18  | 7.20  | 7.20  | 7.20  | 7.20  | 7.26  | 7.26  | 7.26  | 7.26  |       |

Manufacturer reserves the right to change, at any time, specifications and designs without notice and without obligations.

COOLING PERFORMANCE - 60K (Sheet 2 of 4)

| AIRFLOW<br>(CFM) | OUTDOOR<br>(DB F) | ID (WB F) | 60.8  |       |       |       | 64.4  |       |       |       | 66.2  |       |       |       | 71.6  |       |       |       |
|------------------|-------------------|-----------|-------|-------|-------|-------|-------|-------|-------|-------|-------|-------|-------|-------|-------|-------|-------|-------|
|                  |                   | ID (DB F) | 73.4  | 77.0  | 80.6  | 84.2  | 73.4  | 77.0  | 80.6  | 84.2  | 73.4  | 77.0  | 80.6  | 84.2  | 73.4  | 77.0  | 80.6  | 84.2  |
|                  |                   |           |       |       |       |       |       |       |       |       |       |       |       |       |       |       |       |       |
| 1360             | -22               | TC        | 61925 | 61925 | 61925 | 62553 | 64863 | 64863 | 64863 | 64863 | 66430 | 66430 | 66430 | 66430 | 70215 | 70215 | 70215 | 70215 |
|                  |                   | S/T       | 0.68  | 0.76  | 0.97  | 1.00  | 0.55  | 0.63  | 0.69  | 0.77  | 0.48  | 0.56  | 0.64  | 0.70  | 0.35  | 0.42  | 0.48  | 0.55  |
|                  |                   | PI        | 4.74  | 4.74  | 4.74  | 4.74  | 4.75  | 4.75  | 4.75  | 4.75  | 4.76  | 4.76  | 4.76  | 4.76  | 4.79  | 4.79  | 4.79  | 4.79  |
|                  | -10               | TC        | 61468 | 61468 | 61468 | 62091 | 64495 | 64495 | 64495 | 64495 | 66098 | 66098 | 66098 | 66098 | 70002 | 70002 | 70002 | 70002 |
|                  |                   | S/T       | 0.68  | 0.77  | 0.97  | 1.00  | 0.56  | 0.63  | 0.70  | 0.78  | 0.49  | 0.56  | 0.64  | 0.71  | 0.35  | 0.42  | 0.49  | 0.56  |
|                  |                   | PI        | 4.29  | 4.28  | 4.28  | 4.29  | 4.29  | 4.29  | 4.29  | 4.29  | 4.30  | 4.30  | 4.30  | 4.30  | 4.32  | 4.32  | 4.32  | 4.32  |
|                  | 0                 | TC        | 61086 | 61086 | 61086 | 61706 | 64188 | 64188 | 64188 | 64188 | 65822 | 65822 | 65822 | 65822 | 69825 | 69825 | 69825 | 69825 |
|                  |                   | S/T       | 0.68  | 0.77  | 0.98  | 1.00  | 0.56  | 0.64  | 0.70  | 0.78  | 0.49  | 0.57  | 0.65  | 0.71  | 0.36  | 0.42  | 0.49  | 0.56  |
|                  |                   | PI        | 4.09  | 4.09  | 4.09  | 4.09  | 4.08  | 4.08  | 4.08  | 4.08  | 4.08  | 4.08  | 4.08  | 4.08  | 4.10  | 4.10  | 4.10  | 4.10  |
|                  | 5                 | TC        | 60908 | 60908 | 60908 | 61525 | 64071 | 64071 | 64071 | 64071 | 65723 | 65723 | 65723 | 65723 | 69778 | 69778 | 69778 | 69778 |
|                  |                   | S/T       | 0.69  | 0.77  | 0.98  | 1.00  | 0.56  | 0.64  | 0.70  | 0.78  | 0.49  | 0.57  | 0.65  | 0.71  | 0.36  | 0.42  | 0.49  | 0.56  |
|                  |                   | PI        | 3.84  | 3.84  | 3.84  | 3.84  | 3.82  | 3.82  | 3.82  | 3.82  | 3.82  | 3.82  | 3.82  | 3.82  | 3.81  | 3.81  | 3.81  | 3.81  |
|                  | 14                | TC        | 60547 | 60547 | 60547 | 61160 | 63711 | 63711 | 63711 | 63711 | 65393 | 65393 | 65393 | 65393 | 69542 | 69542 | 69542 | 69542 |
|                  |                   | S/T       | 0.69  | 0.78  | 0.99  | 1.00  | 0.56  | 0.64  | 0.71  | 0.79  | 0.49  | 0.57  | 0.65  | 0.72  | 0.36  | 0.43  | 0.49  | 0.56  |
|                  |                   | PI        | 3.82  | 3.82  | 3.82  | 3.82  | 3.81  | 3.81  | 3.81  | 3.81  | 3.81  | 3.81  | 3.81  | 3.81  | 3.82  | 3.82  | 3.82  | 3.82  |
|                  | 23                | TC        | 60186 | 60186 | 60186 | 60796 | 63471 | 63471 | 63471 | 63471 | 65153 | 65153 | 65153 | 65153 | 69365 | 69365 | 69365 | 69365 |
|                  |                   | S/T       | 0.69  | 0.78  | 0.99  | 1.00  | 0.57  | 0.64  | 0.71  | 0.79  | 0.50  | 0.58  | 0.65  | 0.72  | 0.36  | 0.43  | 0.50  | 0.57  |
|                  |                   | PI        | 3.81  | 3.81  | 3.81  | 3.81  | 3.81  | 3.81  | 3.81  | 3.81  | 3.81  | 3.81  | 3.81  | 3.81  | 3.82  | 3.82  | 3.82  | 3.82  |
|                  | 32                | TC        | 59885 | 59885 | 59885 | 60492 | 63231 | 63231 | 63231 | 63231 | 64974 | 64974 | 64974 | 64974 | 69306 | 69306 | 69306 | 69306 |
|                  |                   | S/T       | 0.70  | 0.78  | 1.00  | 1.00  | 0.57  | 0.65  | 0.72  | 0.79  | 0.50  | 0.58  | 0.66  | 0.73  | 0.36  | 0.43  | 0.50  | 0.57  |
|                  |                   | PI        | 3.83  | 3.83  | 3.83  | 3.83  | 3.82  | 3.82  | 3.82  | 3.82  | 3.83  | 3.83  | 3.83  | 3.83  | 3.83  | 3.83  | 3.83  | 3.83  |
|                  | 41                | TC        | 59584 | 59584 | 59584 | 60188 | 62991 | 62991 | 62991 | 62991 | 64764 | 64764 | 64764 | 64764 | 69247 | 69247 | 69247 | 69247 |
|                  |                   | S/T       | 0.70  | 0.79  | 1.00  | 1.00  | 0.57  | 0.65  | 0.72  | 0.80  | 0.50  | 0.58  | 0.66  | 0.73  | 0.36  | 0.43  | 0.50  | 0.57  |
|                  |                   | PI        | 3.86  | 3.86  | 3.86  | 3.86  | 3.86  | 3.86  | 3.86  | 3.86  | 3.86  | 3.86  | 3.86  | 3.86  | 3.86  | 3.86  | 3.86  | 3.86  |
| 50               | TC                | 59223     | 59223 | 59223 | 59823 | 62691 | 62691 | 62691 | 62691 | 64494 | 64494 | 64494 | 64494 | 69070 | 69070 | 69070 | 69070 |       |
|                  | S/T               | 0.70      | 0.79  | 1.00  | 1.00  | 0.57  | 0.65  | 0.72  | 0.80  | 0.50  | 0.58  | 0.66  | 0.73  | 0.37  | 0.44  | 0.50  | 0.57  |       |
|                  | PI                | 3.93      | 3.93  | 3.93  | 3.93  | 3.92  | 3.92  | 3.92  | 3.92  | 3.91  | 3.91  | 3.91  | 3.91  | 3.91  | 3.91  | 3.91  | 3.91  |       |
| 59               | TC                | 58741     | 58741 | 58741 | 59337 | 62271 | 62271 | 62271 | 62271 | 64104 | 64104 | 64104 | 64104 | 68775 | 68775 | 68775 | 68775 |       |
|                  | S/T               | 0.71      | 0.80  | 0.88  | 0.96  | 0.58  | 0.66  | 0.73  | 0.81  | 0.51  | 0.59  | 0.67  | 0.74  | 0.37  | 0.44  | 0.51  | 0.58  |       |
|                  | PI                | 4.02      | 4.02  | 4.02  | 4.02  | 4.01  | 4.01  | 4.01  | 4.01  | 4.00  | 4.00  | 4.00  | 4.00  | 4.00  | 4.00  | 4.00  | 4.00  |       |
| 68               | TC                | 58079     | 58079 | 58079 | 58668 | 61611 | 61611 | 61611 | 61611 | 63475 | 63475 | 63475 | 63475 | 68184 | 68184 | 68184 | 68184 |       |
|                  | S/T               | 0.71      | 0.80  | 0.88  | 0.96  | 0.58  | 0.66  | 0.73  | 0.81  | 0.51  | 0.59  | 0.67  | 0.74  | 0.37  | 0.44  | 0.51  | 0.58  |       |
|                  | PI                | 4.16      | 4.16  | 4.16  | 4.16  | 4.14  | 4.14  | 4.14  | 4.14  | 4.14  | 4.14  | 4.14  | 4.14  | 4.12  | 4.12  | 4.12  | 4.12  |       |
| 77               | TC                | 55430     | 55430 | 56019 | 56608 | 58864 | 58864 | 58864 | 58864 | 60630 | 60630 | 60630 | 60630 | 65241 | 65241 | 65241 | 65241 |       |
|                  | S/T               | 0.72      | 0.81  | 0.89  | 0.98  | 0.58  | 0.66  | 0.75  | 0.83  | 0.51  | 0.59  | 0.67  | 0.75  | 0.36  | 0.44  | 0.51  | 0.58  |       |
|                  | PI                | 4.59      | 4.59  | 4.59  | 4.59  | 4.59  | 4.59  | 4.59  | 4.59  | 4.59  | 4.59  | 4.59  | 4.59  | 4.59  | 4.59  | 4.59  | 4.59  |       |
| 86               | TC                | 52781     | 52781 | 53272 | 53762 | 56117 | 56117 | 56117 | 56117 | 57883 | 57883 | 57883 | 57883 | 62396 | 62396 | 62396 | 62396 |       |
|                  | S/T               | 0.73      | 0.82  | 0.91  | 1.00  | 0.58  | 0.67  | 0.76  | 0.84  | 0.52  | 0.60  | 0.68  | 0.77  | 0.36  | 0.44  | 0.51  | 0.59  |       |
|                  | PI                | 5.03      | 5.03  | 5.03  | 5.03  | 5.04  | 5.04  | 5.04  | 5.04  | 5.04  | 5.04  | 5.04  | 5.04  | 5.06  | 5.06  | 5.06  | 5.06  |       |
| 95               | TC                | 50133     | 50133 | 50623 | 51114 | 53370 | 53370 | 53370 | 53370 | 55038 | 55038 | 55921 | 55038 | 59453 | 59453 | 59453 | 59453 |       |
|                  | S/T               | 0.74      | 0.84  | 0.93  | 1.00  | 0.59  | 0.68  | 0.77  | 0.86  | 0.52  | 0.61  | 0.69  | 0.78  | 0.36  | 0.44  | 0.52  | 0.60  |       |
|                  | PI                | 5.49      | 5.49  | 5.49  | 5.49  | 5.51  | 5.51  | 5.51  | 5.51  | 5.53  | 5.53  | 5.53  | 5.53  | 5.53  | 5.53  | 5.53  | 5.53  |       |
| 104              | TC                | 46718     | 46895 | 47380 | 47865 | 49788 | 49788 | 49788 | 50009 | 51349 | 51349 | 51826 | 51349 | 55540 | 55540 | 55540 | 55540 |       |
|                  | S/T               | 0.77      | 0.87  | 0.97  | 1.00  | 0.60  | 0.70  | 0.80  | 0.90  | 0.52  | 0.62  | 0.72  | 0.81  | 0.35  | 0.44  | 0.53  | 0.62  |       |
|                  | PI                | 6.06      | 6.06  | 6.06  | 6.06  | 6.08  | 6.08  | 6.08  | 6.08  | 6.10  | 6.10  | 6.11  | 6.10  | 6.13  | 6.13  | 6.13  | 6.13  |       |
| 115              | TC                | 43278     | 43666 | 44151 | 44636 | 46189 | 46189 | 46189 | 46674 | 47644 | 47644 | 47644 | 47644 | 51623 | 51623 | 51623 | 51623 |       |
|                  | S/T               | 0.78      | 0.88  | 0.99  | 1.00  | 0.61  | 0.71  | 0.81  | 0.91  | 0.53  | 0.63  | 0.73  | 0.83  | 0.35  | 0.44  | 0.53  | 0.62  |       |
|                  | PI                | 6.74      | 6.74  | 6.74  | 6.74  | 6.77  | 6.77  | 6.77  | 6.77  | 6.79  | 6.79  | 6.79  | 6.79  | 6.84  | 6.84  | 6.84  | 6.84  |       |
| 122              | TC                | 40561     | 40949 | 41337 | 41725 | 43375 | 43375 | 43375 | 43763 | 44830 | 44830 | 44830 | 44830 | 48615 | 48615 | 48615 | 48615 |       |
|                  | S/T               | 0.80      | 0.91  | 1.00  | 1.00  | 0.61  | 0.73  | 0.84  | 0.94  | 0.53  | 0.64  | 0.75  | 0.85  | 0.34  | 0.44  | 0.54  | 0.91  |       |
|                  | PI                | 7.30      | 7.30  | 7.30  | 7.30  | 7.33  | 7.33  | 7.33  | 7.33  | 7.35  | 7.35  | 7.35  | 7.35  | 7.41  | 7.41  | 7.41  | 7.41  |       |

COOLING PERFORMANCE - 60K (Sheet 3 of 4)

| AIRFLOW (CFM) | OUTDOOR (DB F) | ID (WB F)<br>ID (DB F) | 60.8  |       |       |       | 64.4  |       |       |       | 66.2  |       |       |       | 71.6  |       |       |       |
|---------------|----------------|------------------------|-------|-------|-------|-------|-------|-------|-------|-------|-------|-------|-------|-------|-------|-------|-------|-------|
|               |                |                        | 73.4  | 77.0  | 80.6  | 84.2  | 73.4  | 77.0  | 80.6  | 84.2  | 73.4  | 77.0  | 80.6  | 84.2  | 73.4  | 77.0  | 80.6  | 84.2  |
|               |                |                        | TC    | S/T   | PI    | TC    | S/T   | PI    | TC    | S/T   | PI    | TC    | S/T   | PI    | TC    | S/T   | PI    | TC    |
| 1583          | -22            | TC                     | 63180 | 63180 | 63808 | 64436 | 66102 | 66102 | 66102 | 66722 | 67662 | 67662 | 67662 | 67662 | 71528 | 71528 | 71528 | 71528 |
|               |                | S/T                    | 0.72  | 0.82  | 1.00  | 1.00  | 0.57  | 0.67  | 0.75  | 0.96  | 0.49  | 0.59  | 0.68  | 0.77  | 0.33  | 0.42  | 0.50  | 0.58  |
|               |                | PI                     | 4.74  | 4.74  | 4.74  | 4.74  | 4.75  | 4.75  | 4.75  | 4.75  | 4.76  | 4.76  | 4.76  | 4.76  | 4.79  | 4.79  | 4.79  | 4.79  |
|               | -10            | TC                     | 62714 | 62714 | 63337 | 63960 | 65727 | 65727 | 65727 | 66343 | 67324 | 67324 | 67324 | 67324 | 71312 | 71312 | 71312 | 71312 |
|               |                | S/T                    | 0.73  | 0.82  | 1.00  | 1.00  | 0.57  | 0.67  | 0.76  | 0.97  | 0.50  | 0.59  | 0.68  | 0.78  | 0.34  | 0.42  | 0.51  | 0.58  |
|               |                | PI                     | 4.29  | 4.28  | 4.28  | 4.29  | 4.29  | 4.29  | 4.29  | 4.29  | 4.30  | 4.30  | 4.30  | 4.30  | 4.32  | 4.32  | 4.32  | 4.32  |
|               | 0              | TC                     | 62325 | 62325 | 62944 | 63563 | 65414 | 65414 | 65414 | 66028 | 67043 | 67043 | 67043 | 67043 | 71131 | 71131 | 71131 | 71131 |
|               |                | S/T                    | 0.73  | 0.83  | 1.00  | 1.00  | 0.58  | 0.67  | 0.76  | 0.97  | 0.50  | 0.60  | 0.68  | 0.78  | 0.34  | 0.42  | 0.51  | 0.59  |
|               |                | PI                     | 4.17  | 4.17  | 4.17  | 4.17  | 4.17  | 4.17  | 4.17  | 4.17  | 4.17  | 4.17  | 4.17  | 4.17  | 4.18  | 4.18  | 4.18  | 4.18  |
|               | 5              | TC                     | 62143 | 62143 | 62760 | 63377 | 65295 | 65295 | 65295 | 65907 | 66942 | 66942 | 66942 | 66942 | 71083 | 71083 | 71083 | 71083 |
|               |                | S/T                    | 0.73  | 0.83  | 1.00  | 1.00  | 0.58  | 0.68  | 0.76  | 0.98  | 0.50  | 0.60  | 0.69  | 0.78  | 0.34  | 0.42  | 0.51  | 0.59  |
|               |                | PI                     | 3.92  | 3.92  | 3.92  | 3.92  | 3.91  | 3.91  | 3.91  | 3.91  | 3.90  | 3.90  | 3.90  | 3.90  | 3.89  | 3.89  | 3.89  | 3.89  |
|               | 14             | TC                     | 61774 | 61774 | 62388 | 63001 | 64928 | 64928 | 64928 | 65537 | 66606 | 66606 | 66606 | 66606 | 70843 | 70843 | 70843 | 70843 |
|               |                | S/T                    | 0.74  | 0.83  | 1.00  | 1.00  | 0.58  | 0.68  | 0.77  | 0.98  | 0.50  | 0.60  | 0.69  | 0.79  | 0.34  | 0.43  | 0.51  | 0.59  |
|               |                | PI                     | 3.90  | 3.90  | 3.90  | 3.90  | 3.90  | 3.90  | 3.90  | 3.90  | 3.89  | 3.89  | 3.89  | 3.89  | 3.90  | 3.90  | 3.90  | 3.90  |
|               | 23             | TC                     | 61406 | 61406 | 62016 | 62626 | 64684 | 64684 | 64684 | 65290 | 66362 | 66362 | 66362 | 66362 | 70662 | 70662 | 70662 | 70662 |
|               |                | S/T                    | 0.74  | 0.84  | 1.00  | 1.00  | 0.59  | 0.68  | 0.77  | 0.99  | 0.51  | 0.60  | 0.69  | 0.79  | 0.34  | 0.43  | 0.52  | 0.59  |
|               |                | PI                     | 3.89  | 3.89  | 3.89  | 3.89  | 3.89  | 3.89  | 3.89  | 3.89  | 3.89  | 3.89  | 3.89  | 3.89  | 3.90  | 3.90  | 3.90  | 3.90  |
|               | 32             | TC                     | 61099 | 61099 | 61706 | 62313 | 64439 | 64439 | 64439 | 65043 | 66179 | 66179 | 66179 | 66179 | 70602 | 70602 | 70602 | 70602 |
|               |                | S/T                    | 0.74  | 0.84  | 1.00  | 1.00  | 0.59  | 0.69  | 0.77  | 0.99  | 0.51  | 0.61  | 0.70  | 0.79  | 0.34  | 0.43  | 0.52  | 0.60  |
|               |                | PI                     | 3.91  | 3.91  | 3.91  | 3.91  | 3.91  | 3.91  | 3.91  | 3.91  | 3.91  | 3.91  | 3.91  | 3.91  | 3.92  | 3.92  | 3.92  | 3.92  |
|               | 41             | TC                     | 60792 | 60792 | 61395 | 61999 | 64194 | 64194 | 64194 | 64796 | 65965 | 65965 | 65965 | 65965 | 70542 | 70542 | 70542 | 70542 |
|               |                | S/T                    | 0.75  | 0.85  | 1.00  | 1.00  | 0.59  | 0.69  | 0.78  | 1.00  | 0.51  | 0.61  | 0.70  | 0.80  | 0.34  | 0.43  | 0.52  | 0.60  |
|               |                | PI                     | 3.95  | 3.95  | 3.95  | 3.95  | 3.94  | 3.94  | 3.94  | 3.94  | 3.94  | 3.94  | 3.94  | 3.94  | 3.94  | 3.94  | 3.94  | 3.94  |
|               | 50             | TC                     | 60423 | 60423 | 61023 | 61624 | 63889 | 63889 | 63889 | 64488 | 65690 | 65690 | 65690 | 65690 | 70362 | 70362 | 70362 | 70362 |
|               |                | S/T                    | 0.75  | 0.85  | 1.00  | 1.00  | 0.59  | 0.69  | 0.78  | 1.00  | 0.51  | 0.61  | 0.70  | 0.80  | 0.35  | 0.44  | 0.52  | 0.60  |
|               |                | PI                     | 4.01  | 4.01  | 4.01  | 4.01  | 4.00  | 4.00  | 4.00  | 4.00  | 4.00  | 4.00  | 4.00  | 4.00  | 4.00  | 4.00  | 4.00  | 4.00  |
|               | 59             | TC                     | 59932 | 59932 | 60527 | 61123 | 63461 | 63461 | 63461 | 64056 | 65293 | 65293 | 65293 | 65293 | 70061 | 70061 | 70061 | 70061 |
|               |                | S/T                    | 0.76  | 0.86  | 0.96  | 1.00  | 0.60  | 0.70  | 0.79  | 0.89  | 0.52  | 0.62  | 0.71  | 0.81  | 0.35  | 0.44  | 0.53  | 0.61  |
|               |                | PI                     | 4.11  | 4.11  | 4.11  | 4.11  | 4.09  | 4.09  | 4.09  | 4.09  | 4.09  | 4.09  | 4.09  | 4.09  | 4.08  | 4.08  | 4.08  | 4.08  |
|               | 68             | TC                     | 59256 | 59256 | 59845 | 60434 | 62788 | 62788 | 62788 | 63377 | 64652 | 64652 | 64652 | 64652 | 69460 | 69460 | 69460 | 69460 |
|               |                | S/T                    | 0.76  | 0.86  | 0.96  | 1.00  | 0.60  | 0.70  | 0.79  | 0.89  | 0.52  | 0.62  | 0.71  | 0.81  | 0.35  | 0.44  | 0.53  | 0.61  |
|               |                | PI                     | 4.25  | 4.25  | 4.25  | 4.25  | 4.23  | 4.23  | 4.23  | 4.23  | 4.22  | 4.22  | 4.22  | 4.22  | 4.20  | 4.20  | 4.20  | 4.20  |
|               | 77             | TC                     | 56509 | 56509 | 57098 | 57687 | 60041 | 60041 | 60041 | 60630 | 61807 | 61807 | 61807 | 61807 | 66516 | 66516 | 66516 | 66516 |
|               |                | S/T                    | 0.77  | 0.88  | 0.99  | 1.00  | 0.60  | 0.71  | 0.81  | 0.91  | 0.53  | 0.63  | 0.73  | 0.82  | 0.35  | 0.44  | 0.53  | 0.62  |
|               |                | PI                     | 4.68  | 4.68  | 4.68  | 4.68  | 4.67  | 4.67  | 4.67  | 4.67  | 4.67  | 4.67  | 4.67  | 4.67  | 4.68  | 4.68  | 4.68  | 4.68  |
| 86            | TC             | 53861                  | 54351 | 54940 | 55528 | 57294 | 57294 | 57294 | 57883 | 58962 | 58962 | 58962 | 58962 | 63573 | 63573 | 63573 | 63573 |       |
|               | S/T            | 0.79                   | 0.90  | 1.00  | 1.00  | 0.61  | 0.72  | 0.83  | 0.93  | 0.53  | 0.63  | 0.74  | 0.84  | 0.34  | 0.44  | 0.54  | 0.63  |       |
|               | PI             | 5.12                   | 5.12  | 5.12  | 5.12  | 5.13  | 5.13  | 5.13  | 5.13  | 5.14  | 5.14  | 5.14  | 5.14  | 5.16  | 5.16  | 5.16  | 5.16  |       |
| 95            | TC             | 51114                  | 51604 | 52095 | 52585 | 54449 | 54449 | 54449 | 55038 | 56117 | 56117 | 57000 | 56117 | 60532 | 60532 | 60532 | 60532 |       |
|               | S/T            | 0.80                   | 0.92  | 1.00  | 1.00  | 0.62  | 0.73  | 0.84  | 0.95  | 0.53  | 0.64  | 0.75  | 0.86  | 0.34  | 0.44  | 0.54  | 0.65  |       |
|               | PI             | 5.60                   | 5.60  | 5.60  | 5.60  | 5.62  | 5.62  | 5.62  | 5.62  | 5.63  | 5.63  | 5.64  | 5.63  | 5.67  | 5.67  | 5.67  | 5.67  |       |
| 104           | TC             | 47600                  | 48086 | 48571 | 49056 | 50767 | 50767 | 50988 | 51526 | 52373 | 52373 | 52849 | 52593 | 56563 | 56563 | 56563 | 56563 |       |
|               | S/T            | 0.83                   | 0.96  | 1.00  | 1.00  | 0.63  | 0.76  | 0.88  | 1.00  | 0.54  | 0.66  | 0.78  | 0.90  | 0.33  | 0.45  | 0.56  | 0.90  |       |
|               | PI             | 6.19                   | 6.19  | 6.19  | 6.19  | 6.21  | 6.21  | 6.21  | 6.21  | 6.22  | 6.22  | 6.23  | 6.22  | 6.27  | 6.27  | 6.27  | 6.27  |       |
| 115           | TC             | 44054                  | 44539 | 45025 | 45510 | 47062 | 47062 | 47547 | 48033 | 48615 | 48615 | 48615 | 49100 | 52593 | 52593 | 52593 | 52593 |       |
|               | S/T            | 0.85                   | 0.98  | 1.00  | 1.00  | 0.64  | 0.77  | 0.90  | 1.00  | 0.55  | 0.67  | 0.80  | 0.92  | 0.33  | 0.45  | 0.56  | 0.92  |       |
|               | PI             | 6.88                   | 6.88  | 6.88  | 6.88  | 6.91  | 6.91  | 6.91  | 6.91  | 6.93  | 6.93  | 6.93  | 6.93  | 6.99  | 6.99  | 6.99  | 6.99  |       |
| 122           | TC             | 41337                  | 41725 | 42113 | 42502 | 44248 | 44248 | 44733 | 45219 | 45704 | 45704 | 45704 | 46189 | 49585 | 49585 | 49585 | 49585 |       |
|               | S/T            | 0.87                   | 1.00  | 1.00  | 1.00  | 0.65  | 0.79  | 0.92  | 1.00  | 0.55  | 0.69  | 0.82  | 0.95  | 0.33  | 0.45  | 0.57  | 0.97  |       |
|               | PI             | 7.45                   | 7.45  | 7.45  | 7.45  | 7.48  | 7.48  | 7.48  | 7.48  | 7.50  | 7.50  | 7.50  | 7.50  | 7.56  | 7.56  | 7.56  | 7.56  |       |

Manufacturer reserves the right to change, at any time, specifications and designs without notice and without obligations.



COOLING PERFORMANCE - 60K (Sheet 4 of 4)

| AIRFLOW (CFM) | OUTDOOR (DB F) | ID (WB F) | 60.8  |       |       |       | 64.4  |       |       |       | 66.2  |       |       |       | 71.6  |       |       |       |
|---------------|----------------|-----------|-------|-------|-------|-------|-------|-------|-------|-------|-------|-------|-------|-------|-------|-------|-------|-------|
|               |                |           | 73.4  | 77.0  | 80.6  | 84.2  | 73.4  | 77.0  | 80.6  | 84.2  | 73.4  | 77.0  | 80.6  | 84.2  | 73.4  | 77.0  | 80.6  | 84.2  |
|               |                |           |       |       |       |       |       |       |       |       |       |       |       |       |       |       |       |       |
| 1805          | -22            | TC        | 64461 | 64461 | 65748 | 66375 | 67365 | 67365 | 67365 | 68634 | 68917 | 68917 | 68917 | 68917 | 72866 | 72866 | 72866 | 72866 |
|               |                | S/T       | 0.77  | 0.88  | 1.00  | 1.00  | 0.59  | 0.71  | 0.81  | 1.00  | 0.50  | 0.62  | 0.72  | 0.84  | 0.31  | 0.42  | 0.52  | 0.61  |
|               |                | PI        | 4.00  | 4.00  | 4.00  | 4.00  | 3.98  | 3.98  | 3.98  | 3.98  | 3.97  | 3.97  | 3.97  | 3.97  | 3.95  | 3.95  | 3.95  | 3.95  |
|               | -10            | TC        | 63985 | 63985 | 65262 | 65885 | 66983 | 66983 | 66983 | 68245 | 68573 | 68573 | 68573 | 68573 | 72646 | 72646 | 72646 | 72646 |
|               |                | S/T       | 0.78  | 0.89  | 1.00  | 1.00  | 0.59  | 0.71  | 0.82  | 1.00  | 0.51  | 0.62  | 0.72  | 0.85  | 0.32  | 0.42  | 0.53  | 0.61  |
|               |                | PI        | 4.00  | 4.00  | 4.00  | 4.00  | 3.98  | 3.98  | 3.98  | 3.98  | 3.97  | 3.97  | 3.97  | 3.97  | 3.96  | 3.96  | 3.96  | 3.96  |
|               | 0              | TC        | 63588 | 63588 | 64858 | 65476 | 66664 | 66664 | 66664 | 67920 | 68286 | 68286 | 68286 | 68286 | 72462 | 72462 | 72462 | 72462 |
|               |                | S/T       | 0.78  | 0.89  | 1.00  | 1.00  | 0.60  | 0.71  | 0.82  | 1.00  | 0.51  | 0.63  | 0.72  | 0.85  | 0.32  | 0.42  | 0.53  | 0.62  |
|               |                | PI        | 4.00  | 4.00  | 4.00  | 4.00  | 3.98  | 3.98  | 3.98  | 3.98  | 3.98  | 3.98  | 3.98  | 3.98  | 3.97  | 3.97  | 3.97  | 3.97  |
|               | 5              | TC        | 63402 | 63402 | 64668 | 65285 | 66543 | 66543 | 66543 | 67796 | 68183 | 68183 | 68183 | 68183 | 72413 | 72413 | 72413 | 72413 |
|               |                | S/T       | 0.79  | 0.89  | 1.00  | 1.00  | 0.60  | 0.72  | 0.83  | 1.00  | 0.51  | 0.63  | 0.73  | 0.86  | 0.32  | 0.42  | 0.53  | 0.62  |
|               |                | PI        | 4.00  | 4.00  | 4.00  | 4.00  | 3.99  | 3.99  | 3.99  | 3.99  | 3.98  | 3.98  | 3.98  | 3.98  | 3.98  | 3.98  | 3.98  | 3.98  |
|               | 14             | TC        | 63026 | 63026 | 64285 | 64898 | 66169 | 66169 | 66169 | 67415 | 67841 | 67841 | 67841 | 67841 | 72168 | 72168 | 72168 | 72168 |
|               |                | S/T       | 0.79  | 0.90  | 1.00  | 1.00  | 0.60  | 0.72  | 0.83  | 1.00  | 0.51  | 0.63  | 0.73  | 0.86  | 0.32  | 0.43  | 0.53  | 0.62  |
|               |                | PI        | 3.98  | 3.98  | 3.98  | 3.98  | 3.98  | 3.98  | 3.98  | 3.98  | 3.98  | 3.98  | 3.98  | 3.98  | 3.98  | 3.98  | 3.98  | 3.98  |
|               | 23             | TC        | 62650 | 62650 | 63901 | 64511 | 65920 | 65920 | 65920 | 67161 | 67593 | 67593 | 67593 | 67593 | 71984 | 71984 | 71984 | 71984 |
|               |                | S/T       | 0.79  | 0.90  | 1.00  | 1.00  | 0.61  | 0.72  | 0.83  | 1.00  | 0.52  | 0.64  | 0.73  | 0.86  | 0.32  | 0.43  | 0.54  | 0.63  |
|               |                | PI        | 3.98  | 3.98  | 3.98  | 3.98  | 3.97  | 3.97  | 3.97  | 3.97  | 3.98  | 3.98  | 3.98  | 3.98  | 3.99  | 3.99  | 3.99  | 3.99  |
|               | 32             | TC        | 62337 | 62337 | 63582 | 64188 | 65670 | 65670 | 65670 | 66907 | 67406 | 67406 | 67406 | 67406 | 71923 | 71923 | 71923 | 71923 |
|               |                | S/T       | 0.80  | 0.91  | 1.00  | 1.00  | 0.61  | 0.73  | 0.84  | 1.00  | 0.52  | 0.64  | 0.74  | 0.87  | 0.32  | 0.43  | 0.54  | 0.63  |
|               |                | PI        | 3.99  | 3.99  | 3.99  | 3.99  | 3.99  | 3.99  | 3.99  | 3.99  | 3.99  | 3.99  | 3.99  | 3.99  | 4.00  | 4.00  | 4.00  | 4.00  |
|               | 41             | TC        | 62024 | 62024 | 63262 | 63866 | 65421 | 65421 | 65421 | 66654 | 67188 | 67188 | 67188 | 67188 | 71862 | 71862 | 71862 | 71862 |
|               |                | S/T       | 0.80  | 0.91  | 0.99  | 0.99  | 0.61  | 0.73  | 0.84  | 1.00  | 0.52  | 0.64  | 0.74  | 0.87  | 0.33  | 0.43  | 0.54  | 0.63  |
|               |                | PI        | 4.03  | 4.03  | 4.03  | 4.03  | 4.02  | 4.02  | 4.02  | 4.02  | 4.02  | 4.02  | 4.02  | 4.02  | 4.03  | 4.03  | 4.03  | 4.03  |
| 50            | TC             | 61648     | 61648 | 62879 | 63479 | 65110 | 65110 | 65110 | 66336 | 66909 | 66909 | 66909 | 66909 | 71678 | 71678 | 71678 | 71678 |       |
|               | S/T            | 0.81      | 0.92  | 1.00  | 1.00  | 0.61  | 0.74  | 0.85  | 1.00  | 0.52  | 0.65  | 0.74  | 0.88  | 0.33  | 0.44  | 0.55  | 0.64  |       |
|               | PI             | 4.10      | 4.10  | 4.10  | 4.10  | 4.08  | 4.08  | 4.08  | 4.08  | 4.08  | 4.08  | 4.08  | 4.08  | 4.08  | 4.08  | 4.08  | 4.08  |       |
| 59            | TC             | 61147     | 61147 | 62368 | 62962 | 64673 | 64673 | 64673 | 65892 | 66504 | 66504 | 66504 | 66504 | 71371 | 71371 | 71371 | 71371 |       |
|               | S/T            | 0.81      | 0.92  | 1.00  | 1.00  | 0.62  | 0.74  | 0.85  | 0.97  | 0.53  | 0.65  | 0.75  | 0.88  | 0.33  | 0.44  | 0.55  | 0.64  |       |
|               | PI             | 4.20      | 4.20  | 4.20  | 4.20  | 4.18  | 4.18  | 4.18  | 4.18  | 4.18  | 4.18  | 4.18  | 4.18  | 4.17  | 4.17  | 4.17  | 4.17  |       |
| 68            | TC             | 60458     | 60458 | 61665 | 62253 | 63988 | 63988 | 63988 | 65193 | 65851 | 65851 | 65851 | 65851 | 70759 | 70759 | 70759 | 70759 |       |
|               | S/T            | 0.81      | 0.92  | 1.00  | 1.00  | 0.62  | 0.74  | 0.85  | 0.98  | 0.53  | 0.65  | 0.75  | 0.89  | 0.33  | 0.44  | 0.55  | 0.64  |       |
|               | PI             | 4.34      | 4.34  | 4.34  | 4.34  | 4.32  | 4.32  | 4.32  | 4.32  | 4.31  | 4.31  | 4.31  | 4.31  | 4.29  | 4.29  | 4.29  | 4.29  |       |
| 77            | TC             | 57610     | 57610 | 58198 | 58786 | 61242 | 61242 | 61242 | 62449 | 63007 | 63007 | 63007 | 63007 | 67817 | 67817 | 67817 | 67817 |       |
|               | S/T            | 0.82      | 0.96  | 1.00  | 1.00  | 0.62  | 0.76  | 0.87  | 1.00  | 0.55  | 0.67  | 0.80  | 0.90  | 0.34  | 0.44  | 0.55  | 0.66  |       |
|               | PI             | 4.78      | 4.78  | 4.78  | 4.78  | 4.76  | 4.76  | 4.76  | 4.76  | 4.76  | 4.76  | 4.76  | 4.76  | 4.78  | 4.78  | 4.78  | 4.78  |       |
| 86            | TC             | 54962     | 55968 | 56660 | 57352 | 58496 | 58496 | 58496 | 59704 | 60061 | 60061 | 60061 | 60061 | 64773 | 64773 | 64773 | 64773 |       |
|               | S/T            | 0.85      | 0.99  | 1.00  | 1.00  | 0.64  | 0.77  | 0.91  | 1.00  | 0.54  | 0.66  | 0.81  | 0.92  | 0.32  | 0.44  | 0.57  | 0.67  |       |
|               | PI             | 5.22      | 5.22  | 5.22  | 5.22  | 5.23  | 5.23  | 5.23  | 5.23  | 5.25  | 5.25  | 5.25  | 5.25  | 5.27  | 5.27  | 5.27  | 5.27  |       |
| 95            | TC             | 52114     | 53119 | 53609 | 54099 | 55550 | 55550 | 55550 | 56758 | 57217 | 57217 | 58100 | 57217 | 61631 | 61631 | 61631 | 61631 |       |
|               | S/T            | 0.86      | 1.00  | 1.00  | 1.00  | 0.65  | 0.78  | 0.92  | 1.00  | 0.54  | 0.67  | 0.82  | 0.95  | 0.32  | 0.44  | 0.56  | 0.70  |       |
|               | PI             | 5.72      | 5.72  | 5.72  | 5.72  | 5.74  | 5.74  | 5.74  | 5.74  | 5.74  | 5.74  | 5.76  | 5.74  | 5.82  | 5.82  | 5.82  | 5.82  |       |
| 104           | TC             | 48499     | 49307 | 49792 | 50276 | 51766 | 51766 | 52216 | 53089 | 53416 | 53416 | 53893 | 53867 | 57605 | 57605 | 57605 | 57605 |       |
|               | S/T            | 0.89      | 1.00  | 1.00  | 1.00  | 0.66  | 0.83  | 0.97  | 1.00  | 0.56  | 0.70  | 0.85  | 1.00  | 0.31  | 0.46  | 0.59  | 1.00  |       |
|               | PI             | 6.32      | 6.32  | 6.32  | 6.32  | 6.34  | 6.34  | 6.34  | 6.34  | 6.35  | 6.35  | 6.36  | 6.35  | 6.42  | 6.42  | 6.42  | 6.42  |       |
| 115           | TC             | 44844     | 45430 | 45915 | 46400 | 47952 | 47952 | 48946 | 49431 | 49605 | 49605 | 49605 | 50600 | 53582 | 53582 | 53582 | 53582 |       |
|               | S/T            | 0.93      | 1.00  | 1.00  | 1.00  | 0.67  | 0.84  | 1.00  | 1.00  | 0.57  | 0.71  | 0.88  | 1.00  | 0.31  | 0.46  | 0.59  | 1.00  |       |
|               | PI             | 7.02      | 7.02  | 7.02  | 7.02  | 7.05  | 7.05  | 7.05  | 7.05  | 7.07  | 7.07  | 7.07  | 7.07  | 7.14  | 7.14  | 7.14  | 7.14  |       |
| 122           | TC             | 42128     | 42516 | 42904 | 43292 | 45139 | 45139 | 46134 | 46723 | 46594 | 46594 | 46594 | 47589 | 50575 | 50575 | 50575 | 50575 |       |
|               | S/T            | 0.95      | 1.00  | 1.00  | 1.00  | 0.69  | 0.85  | 1.00  | 1.00  | 0.57  | 0.74  | 0.90  | 1.00  | 0.32  | 0.46  | 0.60  | 1.00  |       |
|               | PI             | 7.60      | 7.60  | 7.60  | 7.60  | 7.63  | 7.63  | 7.63  | 7.63  | 7.65  | 7.65  | 7.65  | 7.65  | 7.71  | 7.71  | 7.71  | 7.71  |       |

LEGEND

TC - Total Cooling Capacity (BTU/hr)  
 S/T - Sensible Cooling Capacity Ratio  
 PI - Power Input (kW)  
 Gray shaded area is Extrapolated Data

Gray shaded area is Extrapolated Data

HEATING PERFORMANCE AT INDOOR DRY BULB TEMPERATURE- 60K (Sheet 1 of 2)

| AIRFLOW (CFM) | OUTDOOR (DB F) | TC: TOTAL CAPACITY IN BTU/HR |       |       |       | PI: TOTAL POWER IN KILOWATTS |      |      |      |
|---------------|----------------|------------------------------|-------|-------|-------|------------------------------|------|------|------|
|               |                | Indoor Conditions (DB F)     |       |       |       | Indoor Conditions (DB F)     |      |      |      |
|               |                | 60.8                         | 68.0  | 71.6  | 75.2  | 60.8                         | 68.0 | 71.6 | 75.2 |
| 1136          | -22.0          | 25571                        | 25260 | 25074 | 24950 | 3.07                         | 3.16 | 3.17 | 3.20 |
|               | -10.0          | 29422                        | 29065 | 28851 | 28708 | 3.59                         | 3.70 | 3.71 | 3.75 |
|               | 0.0            | 32631                        | 32235 | 31998 | 31839 | 4.03                         | 4.15 | 4.16 | 4.21 |
|               | 5.0            | 34348                        | 33931 | 33681 | 33514 | 4.27                         | 4.40 | 4.41 | 4.46 |
|               | 14.0           | 36677                        | 36231 | 35964 | 35786 | 4.56                         | 4.70 | 4.71 | 4.76 |
|               | 17.0           | 38423                        | 37957 | 37677 | 37490 | 4.84                         | 4.99 | 5.00 | 5.06 |
|               | 22.0           | 40831                        | 40335 | 40038 | 39840 | 4.80                         | 4.91 | 4.97 | 5.03 |
|               | 27.0           | 43110                        | 42516 | 42317 | 42020 | 4.76                         | 4.87 | 4.92 | 4.98 |
|               | 32.0           | 44795                        | 44200 | 43903 | 43606 | 4.71                         | 4.82 | 4.88 | 4.93 |
|               | 37.0           | 48264                        | 47570 | 47273 | 46975 | 4.71                         | 4.82 | 4.88 | 4.93 |
|               | 42.0           | 53516                        | 52723 | 52426 | 52030 | 4.72                         | 4.83 | 4.88 | 4.94 |
|               | 44.6           | 59093                        | 58218 | 56436 | 56040 | 4.73                         | 4.86 | 4.89 | 4.95 |
|               | 52.0           | 62673                        | 61782 | 61386 | 60990 | 4.70                         | 4.81 | 4.86 | 4.92 |
|               | 57.0           | 66139                        | 65248 | 64752 | 64356 | 4.68                         | 4.79 | 4.84 | 4.89 |
|               | 62.0           | 69604                        | 68614 | 68119 | 67723 | 4.66                         | 4.77 | 4.82 | 4.87 |
| 64.4          | 71188          | 70297                        | 69802 | 69307 | 4.65  | 4.76                         | 4.81 | 4.86 |      |
| 1360          | -22.0          | 26063                        | 25753 | 25567 | 25443 | 3.09                         | 3.19 | 3.20 | 3.24 |
|               | -10.0          | 29989                        | 29632 | 29417 | 29275 | 3.62                         | 3.74 | 3.75 | 3.79 |
|               | 0.0            | 33260                        | 32864 | 32626 | 32468 | 4.06                         | 4.19 | 4.20 | 4.25 |
|               | 5.0            | 35010                        | 34593 | 34343 | 34176 | 4.31                         | 4.45 | 4.46 | 4.51 |
|               | 14.0           | 37383                        | 36938 | 36671 | 36493 | 4.59                         | 4.74 | 4.75 | 4.81 |
|               | 17.0           | 39163                        | 38697 | 38417 | 38231 | 4.88                         | 5.04 | 5.05 | 5.11 |
|               | 22.0           | 41624                        | 41128 | 40831 | 40633 | 4.85                         | 4.96 | 5.02 | 5.07 |
|               | 27.0           | 44002                        | 43407 | 43110 | 42813 | 4.80                         | 4.91 | 4.97 | 5.03 |
|               | 32.0           | 45687                        | 45092 | 44795 | 44498 | 4.76                         | 4.87 | 4.92 | 4.98 |
|               | 37.0           | 49255                        | 48561 | 48264 | 47867 | 4.76                         | 4.87 | 4.93 | 4.98 |
|               | 42.0           | 54606                        | 53813 | 53417 | 53120 | 4.77                         | 4.88 | 4.93 | 4.99 |
|               | 44.6           | 60281                        | 59406 | 57624 | 57228 | 4.78                         | 4.91 | 4.94 | 5.00 |
|               | 52.0           | 63960                        | 63069 | 62673 | 62277 | 4.75                         | 4.86 | 4.91 | 4.97 |
|               | 57.0           | 67426                        | 66535 | 66139 | 65644 | 4.73                         | 4.84 | 4.89 | 4.94 |
|               | 62.0           | 70990                        | 70000 | 69604 | 69109 | 4.71                         | 4.81 | 4.87 | 4.92 |
| 64.4          | 72673          | 71683                        | 71188 | 70693 | 4.70  | 4.80                         | 4.86 | 4.91 |      |
| 1583          | -22.0          | 26296                        | 25986 | 25800 | 25614 | 3.12                         | 3.22 | 3.24 | 3.27 |
|               | -10.0          | 30256                        | 29900 | 29685 | 29471 | 3.66                         | 3.78 | 3.79 | 3.83 |
|               | 0.0            | 33557                        | 33161 | 32924 | 32686 | 4.11                         | 4.24 | 4.25 | 4.29 |
|               | 5.0            | 35322                        | 34906 | 34656 | 34406 | 4.35                         | 4.49 | 4.51 | 4.55 |
|               | 14.0           | 37717                        | 37272 | 37005 | 36738 | 4.64                         | 4.79 | 4.81 | 4.85 |
|               | 17.0           | 39513                        | 39047 | 38767 | 38488 | 4.93                         | 5.09 | 5.11 | 5.16 |
|               | 22.0           | 42020                        | 41525 | 41227 | 40930 | 4.90                         | 5.01 | 5.07 | 5.13 |
|               | 27.0           | 44399                        | 43804 | 43507 | 43209 | 4.85                         | 4.96 | 5.02 | 5.08 |
|               | 32.0           | 46182                        | 45489 | 45191 | 44894 | 4.81                         | 4.92 | 4.97 | 5.03 |
|               | 37.0           | 49750                        | 49056 | 48660 | 48363 | 4.81                         | 4.92 | 4.98 | 5.03 |
|               | 42.0           | 55102                        | 54408 | 54012 | 53615 | 4.81                         | 4.93 | 4.98 | 5.04 |
|               | 44.6           | 60765                        | 60000 | 58119 | 57723 | 4.83                         | 4.96 | 4.99 | 5.05 |
|               | 52.0           | 64554                        | 63762 | 63267 | 62871 | 4.80                         | 4.91 | 4.96 | 5.02 |
|               | 57.0           | 68119                        | 67228 | 66832 | 66337 | 4.78                         | 4.89 | 4.94 | 4.99 |
|               | 62.0           | 71683                        | 70792 | 70297 | 69802 | 4.76                         | 4.87 | 4.92 | 4.97 |
| 64.4          | 73465          | 72475                        | 71980 | 71485 | 4.75  | 4.85                         | 4.91 | 4.96 |      |

HEATING PERFORMANCE AT INDOOR DRY BULB TEMPERATURE- 60K (Sheet 2 of 2)

| AIRFLOW (CFM) | OUTDOOR (DB F) | TC: TOTAL CAPACITY IN BTU/HR |       |       |       | PI: TOTAL POWER IN KILOWATTS |      |      |      |
|---------------|----------------|------------------------------|-------|-------|-------|------------------------------|------|------|------|
|               |                | Indoor Conditions (DB F)     |       |       |       | Indoor Conditions (DB F)     |      |      |      |
|               |                | 60.8                         | 68.0  | 71.6  | 75.2  | 60.8                         | 68.0 | 71.6 | 75.2 |
| 1805          | -22.0          | 26296                        | 25986 | 25800 | 25614 | 3.12                         | 3.22 | 3.24 | 3.27 |
|               | -10.0          | 30256                        | 29900 | 29685 | 29471 | 3.66                         | 3.78 | 3.79 | 3.83 |
|               | 0.0            | 33557                        | 33161 | 32924 | 32686 | 4.11                         | 4.24 | 4.25 | 4.29 |
|               | 5.0            | 35637                        | 35221 | 34971 | 34637 | 4.39                         | 4.54 | 4.56 | 4.60 |
|               | 14.0           | 38054                        | 37609 | 37342 | 36985 | 4.69                         | 4.84 | 4.86 | 4.90 |
|               | 17.0           | 39866                        | 39400 | 39121 | 38747 | 4.98                         | 5.14 | 5.17 | 5.21 |
|               | 22.0           | 42420                        | 41925 | 41627 | 41229 | 4.95                         | 5.06 | 5.12 | 5.19 |
|               | 27.0           | 44799                        | 44204 | 43907 | 43609 | 4.90                         | 5.01 | 5.07 | 5.13 |
|               | 32.0           | 46683                        | 45889 | 45591 | 45294 | 4.86                         | 4.97 | 5.02 | 5.08 |
|               | 37.0           | 50251                        | 49557 | 49060 | 48863 | 4.86                         | 4.97 | 5.03 | 5.08 |
|               | 42.0           | 55602                        | 55009 | 54613 | 54115 | 4.85                         | 4.98 | 5.03 | 5.09 |
|               | 44.6           | 61253                        | 60600 | 58618 | 58222 | 4.88                         | 5.01 | 5.04 | 5.10 |
|               | 52.0           | 65154                        | 64463 | 63867 | 63471 | 4.85                         | 4.96 | 5.01 | 5.07 |
|               | 57.0           | 68819                        | 67928 | 67532 | 67037 | 4.83                         | 4.94 | 4.99 | 5.04 |
|               | 62.0           | 72383                        | 71593 | 70997 | 70502 | 4.81                         | 4.93 | 4.97 | 5.02 |
| 64.4          | 74266          | 73276                        | 72781 | 72286 | 4.80  | 4.90                         | 4.96 | 5.01 |      |

Gray shaded area is Extrapolated Data

| COOLING PERFORMANCE AT INDOOR DRY BULB TEMPERATURE- 60K HH (Sheet 1 of 4) |                |                       |       |       |       |       |       |       |       |       |       |       |       |       |       |       |       |       |
|---|----------------|-----------------------|-------|-------|-------|-------|-------|-------|-------|-------|-------|-------|-------|-------|-------|-------|-------|-------|
| AIRFLOW (CFM)   | OUTDOOR DB (F) | ID WB (F)<br>ID DB(F) | 60.8  |       |       |       | 64.4  |       |       |       | 66.2  |       |       |       | 71.6  |       |       |       |
|   |                |                       | 73.4  | 77.0  | 80.6  | 84.2  | 73.4  | 77.0  | 80.6  | 84.2  | 73.4  | 77.0  | 80.6  | 84.2  | 73.4  | 77.0  | 80.6  | 84.2  |
| 1136  | -22            | TC                    | 46552 | 46614 | 46667 | 46730 | 49350 | 49408 | 49467 | 49525 | 52299 | 52367 | 52435 | 54754 | 54810 | 54858 | 54912 | 54967 |
|   |                | S/T                   | 0.36  | 0.41  | 0.48  | 0.54  | 0.38  | 0.43  | 0.51  | 0.58  | 0.40  | 0.46  | 0.54  | 0.61  | 0.70  | 0.80  | 0.87  | 0.87  |
|   |                | PI                    | 1.42  | 1.43  | 1.43  | 1.43  | 1.51  | 1.51  | 1.51  | 1.51  | 1.60  | 1.60  | 1.60  | 1.69  | 1.70  | 1.70  | 1.70  | 1.70  |
|   | -10            | TC                    | 45809 | 46614 | 45922 | 45984 | 48562 | 48620 | 48677 | 48735 | 51464 | 51531 | 51598 | 53917 | 53973 | 54021 | 54075 | 54130 |
|   |                | S/T                   | 0.36  | 0.41  | 0.48  | 0.55  | 0.38  | 0.44  | 0.51  | 0.58  | 0.41  | 0.46  | 0.54  | 0.62  | 0.70  | 0.80  | 0.87  | 0.87  |
|   |                | PI                    | 1.90  | 1.90  | 1.90  | 1.91  | 2.01  | 2.02  | 2.02  | 2.02  | 2.13  | 2.14  | 2.14  | 2.26  | 2.26  | 2.27  | 2.27  | 2.27  |
|   | 0              | TC                    | 45190 | 46614 | 45301 | 45362 | 47906 | 47963 | 48019 | 48076 | 50769 | 50835 | 50901 | 53219 | 53276 | 53324 | 53378 | 53433 |
|   |                | S/T                   | 0.36  | 0.41  | 0.48  | 0.55  | 0.38  | 0.44  | 0.51  | 0.58  | 0.41  | 0.46  | 0.54  | 0.62  | 0.71  | 0.81  | 0.87  | 0.87  |
|   |                | PI                    | 2.30  | 2.30  | 2.30  | 2.31  | 2.44  | 2.44  | 2.44  | 2.44  | 2.58  | 2.58  | 2.59  | 2.73  | 2.74  | 2.74  | 2.74  | 2.75  |
|   | 5              | TC                    | 44880 | 46614 | 44991 | 45052 | 47578 | 47634 | 47691 | 47747 | 50421 | 50486 | 50552 | 52871 | 52928 | 52975 | 53029 | 53084 |
|   |                | S/T                   | 0.36  | 0.41  | 0.49  | 0.55  | 0.39  | 0.44  | 0.51  | 0.59  | 0.41  | 0.47  | 0.55  | 0.62  | 0.71  | 0.81  | 0.87  | 0.87  |
|   |                | PI                    | 2.50  | 2.50  | 2.50  | 2.51  | 2.65  | 2.65  | 2.65  | 2.66  | 2.80  | 2.81  | 2.81  | 2.97  | 2.97  | 2.98  | 2.98  | 2.98  |
|   | 14             | TC                    | 44323 | 46614 | 44433 | 44492 | 46987 | 47043 | 47099 | 47154 | 49795 | 49860 | 49924 | 52243 | 52300 | 52347 | 52402 | 52456 |
|   |                | S/T                   | 0.37  | 0.42  | 0.49  | 0.56  | 0.39  | 0.44  | 0.52  | 0.59  | 0.41  | 0.47  | 0.55  | 0.62  | 0.71  | 0.81  | 0.87  | 0.87  |
|   |                | PI                    | 2.85  | 2.86  | 2.86  | 2.86  | 3.02  | 3.03  | 3.03  | 3.04  | 3.21  | 3.21  | 3.21  | 3.39  | 3.40  | 3.40  | 3.41  | 3.41  |
|   | 23             | TC                    | 43221 | 46614 | 43328 | 43386 | 45819 | 45873 | 45927 | 45982 | 48557 | 48620 | 48683 | 51002 | 51058 | 51106 | 51160 | 51215 |
|   |                | S/T                   | 0.37  | 0.42  | 0.49  | 0.56  | 0.39  | 0.44  | 0.52  | 0.59  | 0.41  | 0.47  | 0.55  | 0.63  | 0.72  | 0.82  | 0.87  | 0.87  |
|   |                | PI                    | 2.86  | 2.87  | 2.87  | 2.87  | 3.04  | 3.04  | 3.04  | 3.05  | 3.22  | 3.22  | 3.22  | 3.41  | 3.41  | 3.41  | 3.42  | 3.42  |
|   | 32             | TC                    | 41846 | 46614 | 41949 | 42006 | 44361 | 44414 | 44466 | 44519 | 47012 | 47073 | 47134 | 49453 | 49510 | 49557 | 49612 | 49666 |
|   |                | S/T                   | 0.37  | 0.42  | 0.49  | 0.56  | 0.39  | 0.45  | 0.52  | 0.60  | 0.42  | 0.47  | 0.55  | 0.63  | 0.72  | 0.82  | 0.87  | 0.87  |
|   |                | PI                    | 2.70  | 2.70  | 2.71  | 2.71  | 2.86  | 2.87  | 2.87  | 2.87  | 3.03  | 3.04  | 3.04  | 3.21  | 3.22  | 3.22  | 3.22  | 3.23  |
|   | 41             | TC                    | 39866 | 46614 | 39965 | 40019 | 42263 | 42313 | 42363 | 42413 | 44788 | 44846 | 44905 | 47223 | 47280 | 47328 | 47382 | 47437 |
|   |                | S/T                   | 0.37  | 0.42  | 0.50  | 0.56  | 0.39  | 0.45  | 0.52  | 0.60  | 0.42  | 0.48  | 0.56  | 0.63  | 0.72  | 0.82  | 0.87  | 0.87  |
|   |                | PI                    | 2.60  | 2.60  | 2.61  | 2.61  | 2.76  | 2.76  | 2.76  | 2.77  | 2.92  | 2.93  | 2.93  | 3.09  | 3.10  | 3.10  | 3.10  | 3.11  |
|   | 50             | TC                    | 38264 | 46614 | 38359 | 38410 | 40564 | 40612 | 40660 | 40708 | 42988 | 43044 | 43100 | 45419 | 45475 | 45523 | 45577 | 45632 |
|   |                | S/T                   | 0.37  | 0.43  | 0.50  | 0.57  | 0.40  | 0.45  | 0.53  | 0.60  | 0.42  | 0.48  | 0.56  | 0.64  | 0.73  | 0.83  | 0.87  | 0.87  |
|   |                | PI                    | 2.59  | 2.59  | 2.59  | 2.60  | 2.74  | 2.75  | 2.75  | 2.75  | 2.91  | 2.91  | 2.91  | 3.08  | 3.08  | 3.09  | 3.09  | 3.09  |
|   | 59             | TC                    | 38021 | 46614 | 38115 | 38166 | 40306 | 40354 | 40402 | 40450 | 42715 | 42770 | 42826 | 45145 | 45201 | 45249 | 45303 | 45358 |
|   |                | S/T                   | 0.38  | 0.43  | 0.50  | 0.57  | 0.40  | 0.45  | 0.53  | 0.60  | 0.42  | 0.48  | 0.56  | 0.64  | 0.73  | 0.83  | 0.87  | 0.87  |
|   |                | PI                    | 2.68  | 2.69  | 2.69  | 2.69  | 2.84  | 2.85  | 2.85  | 2.85  | 3.01  | 3.02  | 3.02  | 3.19  | 3.19  | 3.20  | 3.20  | 3.21  |
|   | 68             | TC                    | 37778 | 46614 | 37871 | 37922 | 40048 | 40096 | 40143 | 40191 | 42441 | 42496 | 42552 | 44871 | 44927 | 44975 | 45029 | 45084 |
|   |                | S/T                   | 0.38  | 0.43  | 0.50  | 0.57  | 0.40  | 0.46  | 0.53  | 0.61  | 0.42  | 0.48  | 0.56  | 0.64  | 0.73  | 0.84  | 0.87  | 0.87  |
|   |                | PI                    | 2.78  | 2.78  | 2.78  | 2.79  | 2.94  | 2.95  | 2.95  | 2.95  | 3.12  | 3.12  | 3.13  | 3.30  | 3.31  | 3.31  | 3.32  | 3.32  |
|   | 77             | TC                    | 37534 | 46614 | 37627 | 37678 | 39790 | 39837 | 39885 | 39932 | 42168 | 42223 | 42278 | 44597 | 44653 | 44701 | 44755 | 44810 |
|   |                | S/T                   | 0.39  | 0.44  | 0.52  | 0.59  | 0.41  | 0.47  | 0.55  | 0.62  | 0.43  | 0.50  | 0.58  | 0.66  | 0.75  | 0.86  | 0.98  | 1.00  |
|   |                | PI                    | 2.87  | 2.88  | 2.88  | 2.88  | 3.05  | 3.05  | 3.05  | 3.06  | 3.23  | 3.23  | 3.24  | 3.42  | 3.42  | 3.43  | 3.43  | 3.43  |
| 86  | TC             | 36974                 | 46614 | 37065 | 37115 | 39196 | 39243 | 39289 | 39336 | 41539 | 41593 | 41647 | 43966 | 44022 | 44070 | 44124 | 44179 |       |
|   | S/T            | 0.39                  | 0.45  | 0.52  | 0.60  | 0.42  | 0.47  | 0.55  | 0.63  | 0.44  | 0.50  | 0.59  | 0.67  | 0.76  | 0.87  | 0.99  | 1.00  |       |
|   | PI             | 4.00                  | 4.00  | 4.01  | 4.01  | 4.24  | 4.24  | 4.25  | 4.25  | 4.49  | 4.50  | 4.50  | 4.76  | 4.76  | 4.77  | 4.77  | 4.78  |       |
| 95  | TC             | 36658                 | 46614 | 36748 | 36798 | 38861 | 38907 | 38953 | 38999 | 41183 | 41237 | 41290 | 43609 | 43666 | 43713 | 43768 | 43822 |       |
|   | S/T            | 0.40                  | 0.46  | 0.54  | 0.61  | 0.43  | 0.49  | 0.57  | 0.65  | 0.45  | 0.52  | 0.60  | 0.69  | 0.78  | 0.89  | 1.00  | 1.00  |       |
|   | PI             | 4.33                  | 4.34  | 4.34  | 4.35  | 4.59  | 4.60  | 4.60  | 4.61  | 4.87  | 4.87  | 4.88  | 5.15  | 5.16  | 5.16  | 5.17  | 5.18  |       |
| 104   | TC             | 29896                 | 46614 | 29970 | 30010 | 31693 | 31731 | 31768 | 31806 | 33587 | 33631 | 33674 | 35993 | 36050 | 36097 | 36152 | 36206 |       |
|   | S/T            | 0.42                  | 0.48  | 0.56  | 0.64  | 0.45  | 0.51  | 0.60  | 0.68  | 0.47  | 0.54  | 0.63  | 0.72  | 0.82  | 0.94  | 1.00  | 1.00  |       |
|   | PI             | 3.62                  | 3.63  | 3.63  | 3.63  | 3.84  | 3.84  | 3.85  | 3.85  | 4.07  | 4.07  | 4.08  | 4.35  | 4.36  | 4.36  | 4.37  | 4.38  |       |
| 115   | TC             | 24382                 | 46614 | 24442 | 24475 | 25847 | 25878 | 25908 | 25939 | 27392 | 27427 | 27463 | 29782 | 29839 | 29886 | 29940 | 29995 |       |
|   | S/T            | 0.43                  | 0.49  | 0.57  | 0.65  | 0.45  | 0.52  | 0.60  | 0.69  | 0.48  | 0.55  | 0.64  | 0.73  | 0.83  | 0.95  | 1.00  | 1.00  |       |
|   | PI             | 3.03                  | 3.03  | 3.03  | 3.04  | 3.21  | 3.21  | 3.22  | 3.22  | 3.40  | 3.40  | 3.41  | 3.55  | 3.56  | 3.56  | 3.57  | 3.58  |       |
| 122   | TC             | 19885                 | 46614 | 19934 | 19960 | 21080 | 21105 | 21130 | 21155 | 22339 | 22368 | 22397 | 25070 | 25135 | 25190 | 25252 | 25315 |       |
|   | S/T            | 0.44                  | 0.50  | 0.59  | 0.67  | 0.47  | 0.53  | 0.63  | 0.71  | 0.50  | 0.57  | 0.66  | 0.76  | 0.86  | 0.98  | 1.00  | 1.00  |       |
|   | PI             | 2.53                  | 2.53  | 2.54  | 2.54  | 2.68  | 2.68  | 2.69  | 2.69  | 2.84  | 2.85  | 2.85  | 3.01  | 3.01  | 3.02  | 3.02  | 3.02  |       |

Manufacturer reserves the right to change, at any time, specifications and designs without notice and without obligations.

| COOLING PERFORMANCE AT INDOOR DRY BULB TEMPERATURE- 60K HH (Sheet 2 of 4) |                |           |          |       |       |       |       |       |       |       |       |       |       |       |       |       |       |       |
|---|----------------|-----------|----------|-------|-------|-------|-------|-------|-------|-------|-------|-------|-------|-------|-------|-------|-------|-------|
| AIRFLOW (CFM)   | OUTDOOR DB (F) | ID WB (F) | 60.8     |       |       |       | 64.4  |       |       |       | 66.2  |       |       |       | 71.6  |       |       |       |
|   |                |           | ID DB(F) | 73.4  | 77.0  | 80.6  | 84.2  | 73.4  | 77.0  | 80.6  | 84.2  | 73.4  | 77.0  | 80.6  | 84.2  | 73.4  | 77.0  | 80.6  |
| 1360  | -22            | TC        | 55883    | 46614 | 56021 | 56096 | 59273 | 59327 | 59382 | 59437 | 62025 | 62089 | 62152 | 64901 | 64968 | 65024 | 65089 | 65154 |
|   |                | S/T       | 0.41     | 0.47  | 0.55  | 0.63  | 0.44  | 0.50  | 0.58  | 0.67  | 0.46  | 0.53  | 0.62  | 0.71  | 0.80  | 0.92  | 1.00  | 1.00  |
|   |                | PI        | 1.63     | 1.64  | 1.64  | 1.64  | 1.73  | 1.73  | 1.74  | 1.74  | 1.83  | 1.84  | 1.84  | 1.94  | 1.95  | 1.95  | 1.95  | 1.95  |
|   | -10            | TC        | 54949    | 46614 | 55085 | 55159 | 58281 | 58336 | 58390 | 58445 | 61034 | 61097 | 61161 | 63909 | 63976 | 64033 | 64097 | 64162 |
|   |                | S/T       | 0.42     | 0.47  | 0.55  | 0.63  | 0.44  | 0.50  | 0.59  | 0.67  | 0.47  | 0.53  | 0.62  | 0.71  | 0.81  | 0.92  | 1.00  | 1.00  |
|   |                | PI        | 2.18     | 2.18  | 2.18  | 2.19  | 2.31  | 2.31  | 2.32  | 2.32  | 2.45  | 2.45  | 2.45  | 2.59  | 2.60  | 2.60  | 2.60  | 2.61  |
|   | 0              | TC        | 54172    | 46614 | 54305 | 54379 | 57454 | 57509 | 57564 | 57619 | 60207 | 60270 | 60334 | 63083 | 63150 | 63206 | 63271 | 63335 |
|   |                | S/T       | 0.42     | 0.48  | 0.56  | 0.64  | 0.44  | 0.51  | 0.59  | 0.67  | 0.47  | 0.54  | 0.63  | 0.71  | 0.81  | 0.93  | 1.00  | 1.00  |
|   |                | PI        | 2.63     | 2.64  | 2.64  | 2.64  | 2.79  | 2.80  | 2.80  | 2.80  | 2.96  | 2.96  | 2.97  | 3.13  | 3.14  | 3.14  | 3.15  | 3.15  |
|   | 5              | TC        | 53783    | 46614 | 53916 | 53988 | 57041 | 57096 | 57150 | 57205 | 59794 | 59857 | 59921 | 62669 | 62737 | 62793 | 62857 | 62922 |
|   |                | S/T       | 0.42     | 0.48  | 0.56  | 0.64  | 0.44  | 0.51  | 0.59  | 0.68  | 0.47  | 0.54  | 0.63  | 0.72  | 0.82  | 0.93  | 1.00  | 1.00  |
|   |                | PI        | 2.86     | 2.87  | 2.87  | 2.87  | 3.03  | 3.04  | 3.04  | 3.04  | 3.22  | 3.22  | 3.22  | 3.40  | 3.41  | 3.41  | 3.42  | 3.42  |
|   | 14             | TC        | 53083    | 46614 | 53214 | 53285 | 56297 | 56352 | 56407 | 56461 | 59050 | 59113 | 59177 | 61926 | 61993 | 62049 | 62113 | 62178 |
|   |                | S/T       | 0.42     | 0.48  | 0.56  | 0.64  | 0.45  | 0.51  | 0.60  | 0.68  | 0.47  | 0.54  | 0.63  | 0.72  | 0.82  | 0.94  | 1.00  | 1.00  |
|   |                | PI        | 3.27     | 3.28  | 3.28  | 3.28  | 3.47  | 3.47  | 3.48  | 3.48  | 3.68  | 3.68  | 3.68  | 3.89  | 3.90  | 3.90  | 3.91  | 3.91  |
|   | 23             | TC        | 51698    | 46614 | 51825 | 51895 | 54826 | 54880 | 54935 | 54990 | 57578 | 57642 | 57705 | 60454 | 60521 | 60577 | 60642 | 60706 |
|   |                | S/T       | 0.42     | 0.48  | 0.56  | 0.64  | 0.45  | 0.51  | 0.60  | 0.68  | 0.48  | 0.54  | 0.63  | 0.72  | 0.82  | 0.94  | 1.00  | 1.00  |
|   |                | PI        | 3.28     | 3.29  | 3.29  | 3.30  | 3.48  | 3.48  | 3.49  | 3.49  | 3.69  | 3.69  | 3.70  | 3.91  | 3.91  | 3.92  | 3.92  | 3.92  |
|   | 32             | TC        | 49970    | 46614 | 50094 | 50161 | 52990 | 53045 | 53099 | 53154 | 55743 | 55806 | 55870 | 58618 | 58685 | 58742 | 58806 | 58871 |
|   |                | S/T       | 0.43     | 0.49  | 0.57  | 0.65  | 0.45  | 0.51  | 0.60  | 0.69  | 0.48  | 0.55  | 0.64  | 0.73  | 0.83  | 0.95  | 1.00  | 1.00  |
|   |                | PI        | 3.10     | 3.10  | 3.10  | 3.11  | 3.28  | 3.29  | 3.29  | 3.29  | 3.48  | 3.48  | 3.49  | 3.68  | 3.69  | 3.69  | 3.70  | 3.70  |
|   | 41             | TC        | 47483    | 46614 | 47600 | 47665 | 50347 | 50402 | 50456 | 50511 | 53100 | 53163 | 53227 | 55975 | 56043 | 56099 | 56163 | 56228 |
|   |                | S/T       | 0.43     | 0.49  | 0.57  | 0.65  | 0.45  | 0.52  | 0.60  | 0.69  | 0.48  | 0.55  | 0.64  | 0.73  | 0.83  | 0.95  | 1.00  | 1.00  |
|   |                | PI        | 2.98     | 2.99  | 2.99  | 2.99  | 3.16  | 3.17  | 3.17  | 3.17  | 3.35  | 3.35  | 3.36  | 3.55  | 3.55  | 3.56  | 3.56  | 3.56  |
|   | 50             | TC        | 45470    | 46614 | 45582 | 45644 | 48208 | 48262 | 48317 | 48372 | 50960 | 51024 | 51087 | 53836 | 53903 | 53960 | 54024 | 54089 |
|   |                | S/T       | 0.43     | 0.49  | 0.57  | 0.65  | 0.46  | 0.52  | 0.61  | 0.69  | 0.48  | 0.55  | 0.64  | 0.73  | 0.84  | 0.95  | 1.00  | 1.00  |
|   |                | PI        | 2.97     | 2.97  | 2.97  | 2.98  | 3.15  | 3.15  | 3.15  | 3.16  | 3.33  | 3.34  | 3.34  | 3.53  | 3.53  | 3.54  | 3.54  | 3.55  |
|   | 59             | TC        | 45164    | 46614 | 45276 | 45337 | 47883 | 47938 | 47992 | 48047 | 50636 | 50699 | 50763 | 53511 | 53578 | 53635 | 53699 | 53764 |
|   |                | S/T       | 0.43     | 0.49  | 0.58  | 0.66  | 0.46  | 0.52  | 0.61  | 0.70  | 0.49  | 0.55  | 0.65  | 0.74  | 0.84  | 0.96  | 1.00  | 1.00  |
|   |                | PI        | 3.08     | 3.08  | 3.08  | 3.09  | 3.26  | 3.26  | 3.27  | 3.27  | 3.46  | 3.46  | 3.46  | 3.66  | 3.66  | 3.67  | 3.67  | 3.68  |
|   | 68             | TC        | 44859    | 46614 | 44969 | 45030 | 47558 | 47613 | 47667 | 47722 | 50311 | 50374 | 50438 | 53186 | 53254 | 53310 | 53374 | 53439 |
|   |                | S/T       | 0.43     | 0.50  | 0.58  | 0.66  | 0.46  | 0.52  | 0.61  | 0.70  | 0.49  | 0.56  | 0.65  | 0.74  | 0.85  | 0.96  | 1.00  | 1.00  |
|   |                | PI        | 3.18     | 3.19  | 3.19  | 3.20  | 3.38  | 3.38  | 3.38  | 3.39  | 3.58  | 3.58  | 3.59  | 3.79  | 3.79  | 3.80  | 3.80  | 3.81  |
|   | 77             | TC        | 44553    | 46614 | 44663 | 44723 | 47233 | 47288 | 47343 | 47397 | 49986 | 50049 | 50113 | 52862 | 52929 | 52985 | 53050 | 53114 |
|   |                | S/T       | 0.45     | 0.51  | 0.59  | 0.68  | 0.47  | 0.54  | 0.63  | 0.72  | 0.50  | 0.57  | 0.67  | 0.76  | 0.87  | 0.99  | 1.00  | 1.00  |
|   |                | PI        | 3.29     | 3.30  | 3.30  | 3.31  | 3.49  | 3.50  | 3.50  | 3.50  | 3.70  | 3.71  | 3.71  | 3.92  | 3.92  | 3.93  | 3.93  | 3.94  |
| 86  | TC             | 43849     | 46614    | 43957 | 44017 | 46486 | 46540 | 46595 | 46650 | 49238 | 49302 | 49365 | 52114 | 52181 | 52237 | 52302 | 52366 |       |
|   | S/T            | 0.45      | 0.52     | 0.60  | 0.69  | 0.48  | 0.55  | 0.64  | 0.73  | 0.51  | 0.58  | 0.68  | 0.77  | 0.88  | 1.00  | 1.00  | 1.00  |       |
|   | PI             | 4.58      | 4.59     | 4.60  | 4.60  | 4.86  | 4.87  | 4.87  | 4.88  | 5.15  | 5.16  | 5.16  | 5.45  | 5.46  | 5.47  | 5.47  | 5.48  |       |
| 95  | TC             | 43452     | 46614    | 43559 | 43618 | 46063 | 46118 | 46172 | 46227 | 48816 | 48879 | 48943 | 51691 | 51758 | 51815 | 51879 | 51944 |       |
|   | S/T            | 0.46      | 0.53     | 0.62  | 0.70  | 0.49  | 0.56  | 0.65  | 0.75  | 0.52  | 0.59  | 0.69  | 0.79  | 0.90  | 1.00  | 1.00  | 1.00  |       |
|   | PI             | 4.97      | 4.97     | 4.98  | 4.99  | 5.27  | 5.27  | 5.28  | 5.28  | 5.58  | 5.59  | 5.59  | 5.91  | 5.92  | 5.92  | 5.93  | 5.94  |       |
| 104   | TC             | 34956     | 46614    | 35042 | 35089 | 37036 | 37090 | 37145 | 37200 | 39788 | 39852 | 39915 | 42664 | 42731 | 42787 | 42852 | 42916 |       |
|   | S/T            | 0.49      | 0.55     | 0.65  | 0.74  | 0.52  | 0.59  | 0.69  | 0.78  | 0.55  | 0.62  | 0.73  | 0.83  | 0.95  | 1.00  | 1.00  | 1.00  |       |
|   | PI             | 4.15      | 4.16     | 4.16  | 4.17  | 4.40  | 4.41  | 4.41  | 4.42  | 4.66  | 4.67  | 4.68  | 4.99  | 5.00  | 5.00  | 5.01  | 5.02  |       |
| 115   | TC             | 28027     | 46614    | 28097 | 28134 | 29673 | 29728 | 29782 | 29837 | 32426 | 32489 | 32553 | 35301 | 35369 | 35425 | 35489 | 35554 |       |
|   | S/T            | 0.49      | 0.56     | 0.66  | 0.75  | 0.52  | 0.59  | 0.70  | 0.79  | 0.55  | 0.63  | 0.74  | 0.84  | 0.96  | 1.00  | 1.00  | 1.00  |       |
|   | PI             | 3.47      | 3.48     | 3.48  | 3.48  | 3.68  | 3.68  | 3.69  | 3.69  | 3.90  | 3.90  | 3.91  | 4.07  | 4.08  | 4.09  | 4.09  | 4.10  |       |
| 122   | TC             | 21979     | 46614    | 22034 | 22063 | 23230 | 23293 | 23356 | 23419 | 26402 | 26475 | 26548 | 29716 | 29793 | 29858 | 29933 | 30007 |       |
|   | S/T            | 0.51      | 0.58     | 0.68  | 0.77  | 0.54  | 0.62  | 0.72  | 0.82  | 0.57  | 0.65  | 0.76  | 0.87  | 0.99  | 1.00  | 1.00  | 1.00  |       |
|   | PI             | 2.90      | 2.90     | 2.91  | 2.91  | 3.08  | 3.08  | 3.08  | 3.09  | 3.26  | 3.26  | 3.27  | 3.45  | 3.46  | 3.46  | 3.46  | 3.47  |       |

COOLING PERFORMANCE AT INDOOR DRY BULB TEMPERATURE- 60K HH (Sheet 3 of 4)

| AIRFLOW (CFM) | OUTDOOR DB (F) | ID WB (F)<br>ID DB(F) | 60.8        |            |       |       | 64.4  |       |       |       | 66.2  |       |       |       | 71.6  |       |       |       |
|---------------|----------------|-----------------------|-------------|------------|-------|-------|-------|-------|-------|-------|-------|-------|-------|-------|-------|-------|-------|-------|
|               |                |                       | 73.4        | 77.0       | 80.6  | 84.2  | 73.4  | 77.0  | 80.6  | 84.2  | 73.4  | 77.0  | 80.6  | 84.2  | 73.4  | 77.0  | 80.6  | 84.2  |
|               |                |                       | <b>1583</b> | <b>-22</b> | TC    | 64402 | 46614 | 64561 | 64648 | 68309 | 68372 | 68435 | 68498 | 71481 | 71554 | 71627 | 74795 | 74872 |
| S/T           | 0.48           | 0.54                  |             |            | 0.63  | 0.72  | 0.50  | 0.58  | 0.67  | 0.77  | 0.53  | 0.61  | 0.71  | 0.81  | 0.93  | 1.00  | 1.00  | 1.00  |
| PI            | 1.88           | 1.88                  |             |            | 1.89  | 1.89  | 2.00  | 2.00  | 2.00  | 2.00  | 2.11  | 2.12  | 2.12  | 2.24  | 2.24  | 2.24  | 2.25  | 2.25  |
| <b>-10</b>    | TC             | 63326                 |             | 46614      | 63483 | 63568 | 67166 | 67229 | 67292 | 67355 | 70338 | 70411 | 70484 | 73652 | 73729 | 73794 | 73868 | 73943 |
|               | S/T            | 0.48                  |             | 0.55       | 0.64  | 0.73  | 0.51  | 0.58  | 0.68  | 0.77  | 0.54  | 0.61  | 0.72  | 0.82  | 0.93  | 1.00  | 1.00  | 1.00  |
|               | PI             | 2.51                  |             | 2.51       | 2.52  | 2.52  | 2.66  | 2.67  | 2.67  | 2.67  | 2.82  | 2.83  | 2.83  | 2.99  | 2.99  | 2.99  | 3.00  | 3.00  |
| <b>0</b>      | TC             | 62430                 |             | 46614      | 62584 | 62668 | 66213 | 66276 | 66339 | 66402 | 69385 | 69458 | 69532 | 72699 | 72777 | 72842 | 72916 | 72990 |
|               | S/T            | 0.48                  |             | 0.55       | 0.64  | 0.73  | 0.51  | 0.58  | 0.68  | 0.78  | 0.54  | 0.62  | 0.72  | 0.82  | 0.94  | 1.00  | 1.00  | 1.00  |
|               | PI             | 3.04                  |             | 3.04       | 3.04  | 3.05  | 3.22  | 3.22  | 3.23  | 3.23  | 3.41  | 3.42  | 3.42  | 3.61  | 3.62  | 3.62  | 3.62  | 3.63  |
| <b>5</b>      | TC             | 61982                 |             | 46614      | 62135 | 62218 | 65737 | 65800 | 65863 | 65926 | 68909 | 68982 | 69055 | 72223 | 72301 | 72365 | 72440 | 72514 |
|               | S/T            | 0.48                  |             | 0.55       | 0.64  | 0.73  | 0.51  | 0.58  | 0.68  | 0.78  | 0.54  | 0.62  | 0.72  | 0.83  | 0.94  | 1.00  | 1.00  | 1.00  |
|               | PI             | 3.30                  |             | 3.30       | 3.31  | 3.31  | 3.50  | 3.50  | 3.50  | 3.51  | 3.71  | 3.71  | 3.72  | 3.92  | 3.93  | 3.93  | 3.94  | 3.94  |
| <b>14</b>     | TC             | 61175                 |             | 46614      | 61326 | 61409 | 64880 | 64943 | 65006 | 65069 | 68052 | 68125 | 68198 | 71366 | 71443 | 71508 | 71582 | 71657 |
|               | S/T            | 0.49                  |             | 0.55       | 0.65  | 0.74  | 0.51  | 0.59  | 0.69  | 0.78  | 0.55  | 0.62  | 0.73  | 0.83  | 0.95  | 1.00  | 1.00  | 1.00  |
|               | PI             | 3.77                  |             | 3.78       | 3.78  | 3.78  | 4.00  | 4.00  | 4.01  | 4.01  | 4.24  | 4.24  | 4.25  | 4.49  | 4.49  | 4.50  | 4.50  | 4.51  |
| <b>23</b>     | TC             | 59579                 |             | 46614      | 59726 | 59806 | 63184 | 63246 | 63309 | 63373 | 66356 | 66429 | 66502 | 69670 | 69747 | 69812 | 69886 | 69961 |
|               | S/T            | 0.49                  |             | 0.56       | 0.65  | 0.74  | 0.52  | 0.59  | 0.69  | 0.79  | 0.55  | 0.63  | 0.73  | 0.83  | 0.95  | 1.00  | 1.00  | 1.00  |
|               | PI             | 3.78                  |             | 3.79       | 3.79  | 3.80  | 4.01  | 4.02  | 4.02  | 4.03  | 4.25  | 4.26  | 4.26  | 4.50  | 4.51  | 4.51  | 4.52  | 4.52  |
| <b>32</b>     | TC             | 57588                 |             | 46614      | 57730 | 57808 | 61068 | 61131 | 61194 | 61257 | 64240 | 64313 | 64387 | 67554 | 67632 | 67697 | 67771 | 67845 |
|               | S/T            | 0.49                  |             | 0.56       | 0.65  | 0.75  | 0.52  | 0.59  | 0.69  | 0.79  | 0.55  | 0.63  | 0.74  | 0.84  | 0.96  | 1.00  | 1.00  | 1.00  |
|               | PI             | 3.57                  |             | 3.57       | 3.58  | 3.58  | 3.78  | 3.79  | 3.79  | 3.80  | 4.01  | 4.01  | 4.02  | 4.24  | 4.25  | 4.25  | 4.26  | 4.27  |
| <b>41</b>     | TC             | 54722                 |             | 46614      | 54857 | 54931 | 58022 | 58085 | 58148 | 58211 | 61195 | 61268 | 61341 | 64509 | 64586 | 64651 | 64725 | 64800 |
|               | S/T            | 0.49                  |             | 0.56       | 0.66  | 0.75  | 0.52  | 0.60  | 0.70  | 0.79  | 0.55  | 0.63  | 0.74  | 0.84  | 0.96  | 1.00  | 1.00  | 1.00  |
|               | PI             | 3.44                  |             | 3.44       | 3.45  | 3.45  | 3.64  | 3.65  | 3.65  | 3.66  | 3.86  | 3.87  | 3.87  | 4.09  | 4.09  | 4.10  | 4.10  | 4.11  |
| <b>50</b>     | TC             | 52402                 |             | 46614      | 52531 | 52602 | 55557 | 55620 | 55683 | 55746 | 58729 | 58802 | 58876 | 62043 | 62121 | 62185 | 62260 | 62334 |
|               | S/T            | 0.50                  |             | 0.57       | 0.66  | 0.75  | 0.53  | 0.60  | 0.70  | 0.80  | 0.56  | 0.63  | 0.74  | 0.85  | 0.96  | 1.00  | 1.00  | 1.00  |
|               | PI             | 3.42                  |             | 3.42       | 3.43  | 3.43  | 3.62  | 3.63  | 3.63  | 3.64  | 3.84  | 3.85  | 3.85  | 4.07  | 4.07  | 4.08  | 4.08  | 4.09  |
| <b>59</b>     | TC             | 52049                 | 46614       | 52178      | 52248 | 55183 | 55246 | 55309 | 55372 | 58355 | 58428 | 58501 | 61669 | 61746 | 61811 | 61885 | 61960 |       |
|               | S/T            | 0.50                  | 0.57        | 0.66       | 0.76  | 0.53  | 0.60  | 0.70  | 0.80  | 0.56  | 0.64  | 0.75  | 0.85  | 0.97  | 1.00  | 1.00  | 1.00  |       |
|               | PI             | 3.54                  | 3.55        | 3.55       | 3.56  | 3.76  | 3.76  | 3.77  | 3.77  | 3.98  | 3.99  | 3.99  | 4.22  | 4.22  | 4.23  | 4.23  | 4.24  |       |
| <b>68</b>     | TC             | 51697                 | 46614       | 51825      | 51895 | 54808 | 54871 | 54934 | 54997 | 57981 | 58054 | 58127 | 61294 | 61372 | 61437 | 61511 | 61586 |       |
|               | S/T            | 0.50                  | 0.57        | 0.67       | 0.76  | 0.53  | 0.60  | 0.71  | 0.81  | 0.56  | 0.64  | 0.75  | 0.86  | 0.97  | 1.00  | 1.00  | 1.00  |       |
|               | PI             | 3.67                  | 3.68        | 3.68       | 3.68  | 3.89  | 3.90  | 3.90  | 3.90  | 4.12  | 4.13  | 4.13  | 4.37  | 4.37  | 4.38  | 4.38  | 4.39  |       |
| <b>77</b>     | TC             | 51345                 | 46614       | 51472      | 51541 | 54434 | 54497 | 54560 | 54623 | 57606 | 57679 | 57753 | 60920 | 60998 | 61062 | 61137 | 61211 |       |
|               | S/T            | 0.51                  | 0.59        | 0.69       | 0.78  | 0.54  | 0.62  | 0.73  | 0.83  | 0.58  | 0.66  | 0.77  | 0.88  | 1.00  | 1.00  | 1.00  | 1.00  |       |
|               | PI             | 3.80                  | 3.80        | 3.81       | 3.81  | 4.02  | 4.03  | 4.03  | 4.04  | 4.26  | 4.27  | 4.28  | 4.52  | 4.52  | 4.53  | 4.53  | 4.54  |       |
| <b>86</b>     | TC             | 50534                 | 46614       | 50658      | 50727 | 53572 | 53635 | 53698 | 53761 | 56744 | 56817 | 56891 | 60058 | 60136 | 60201 | 60275 | 60349 |       |
|               | S/T            | 0.52                  | 0.59        | 0.69       | 0.79  | 0.55  | 0.63  | 0.74  | 0.84  | 0.59  | 0.67  | 0.78  | 0.89  | 1.00  | 1.00  | 1.00  | 1.00  |       |
|               | PI             | 5.28                  | 5.29        | 5.30       | 5.30  | 5.60  | 5.61  | 5.61  | 5.62  | 5.94  | 5.94  | 5.95  | 6.29  | 6.29  | 6.30  | 6.31  | 6.32  |       |
| <b>95</b>     | TC             | 50076                 | 46614       | 50199      | 50267 | 53085 | 53148 | 53211 | 53274 | 56257 | 56331 | 56404 | 59571 | 59649 | 59714 | 59788 | 59862 |       |
|               | S/T            | 0.53                  | 0.61        | 0.71       | 0.81  | 0.57  | 0.65  | 0.75  | 0.86  | 0.60  | 0.68  | 0.80  | 0.91  | 0.64  | 0.74  | 0.85  | 0.97  |       |
|               | PI             | 5.72                  | 5.73        | 5.74       | 5.75  | 6.07  | 6.07  | 6.08  | 6.09  | 6.43  | 6.44  | 6.45  | 6.81  | 6.82  | 6.83  | 6.83  | 6.84  |       |
| <b>104</b>    | TC             | 40285                 | 46614       | 40384      | 40439 | 42681 | 42744 | 42807 | 42870 | 45854 | 45927 | 46000 | 49168 | 49245 | 49310 | 49384 | 49459 |       |
|               | S/T            | 0.56                  | 0.64        | 0.75       | 0.85  | 0.59  | 0.68  | 0.79  | 0.90  | 0.63  | 0.72  | 0.84  | 0.96  | 1.00  | 1.00  | 1.00  | 1.00  |       |
|               | PI             | 4.78                  | 4.79        | 4.80       | 4.80  | 5.07  | 5.08  | 5.08  | 5.09  | 5.38  | 5.38  | 5.39  | 5.75  | 5.76  | 5.77  | 5.78  | 5.78  |       |
| <b>115</b>    | TC             | 32300                 | 46614       | 32380      | 32423 | 34197 | 34260 | 34323 | 34386 | 37369 | 37442 | 37515 | 40683 | 40760 | 40825 | 40899 | 40974 |       |
|               | S/T            | 0.57                  | 0.65        | 0.76       | 0.86  | 0.60  | 0.69  | 0.80  | 0.91  | 0.64  | 0.73  | 0.85  | 0.97  | 1.00  | 1.00  | 1.00  | 1.00  |       |
|               | PI             | 4.00                  | 4.00        | 4.01       | 4.01  | 4.24  | 4.24  | 4.25  | 4.26  | 4.49  | 4.50  | 4.50  | 4.69  | 4.70  | 4.71  | 4.72  | 4.73  |       |
| <b>122</b>    | TC             | 25788                 | 46614       | 25852      | 25887 | 27277 | 27340 | 27403 | 27466 | 30449 | 30522 | 30595 | 33763 | 33841 | 33905 | 33980 | 34054 |       |
|               | S/T            | 0.59                  | 0.67        | 0.78       | 0.89  | 0.62  | 0.71  | 0.83  | 0.95  | 0.66  | 0.75  | 0.88  | 1.00  | 1.00  | 1.00  | 1.00  | 1.00  |       |
|               | PI             | 3.34                  | 3.35        | 3.35       | 3.36  | 3.54  | 3.55  | 3.55  | 3.56  | 3.76  | 3.76  | 3.77  | 3.98  | 3.98  | 3.99  | 3.99  | 4.00  |       |

COOLING PERFORMANCE AT INDOOR DRY BULB TEMPERATURE- 60K HH (Sheet 4 of 4)

| AIRFLOW (CFM) | OUTDOOR DB (F) | ID WB (F)<br>ID DB(F) | 60.8  |       |       |       | 64.4  |       |       |       | 66.2  |       |       |       | 71.6  |       |       |       |
|---------------|----------------|-----------------------|-------|-------|-------|-------|-------|-------|-------|-------|-------|-------|-------|-------|-------|-------|-------|-------|
|               |                |                       | 73.4  | 77.0  | 80.6  | 84.2  | 73.4  | 77.0  | 80.6  | 84.2  | 73.4  | 77.0  | 80.6  | 84.2  | 73.4  | 77.0  | 80.6  | 84.2  |
|               |                |                       | 1805  | -22   | TC    | 71791 | 46614 | 71968 | 72065 | 76106 | 76196 | 76286 | 76377 | 80654 | 80759 | 80864 | 85405 | 85516 |
| S/T           | 0.54           | 0.61                  |       |       | 0.72  | 0.82  | 0.57  | 0.65  | 0.76  | 0.87  | 0.60  | 0.69  | 0.81  | 0.92  | 1.00  | 1.00  | 1.00  | 1.00  |
| PI            | 2.12           | 2.13                  |       |       | 2.13  | 2.13  | 2.25  | 2.25  | 2.26  | 2.26  | 2.39  | 2.39  | 2.39  | 2.53  | 2.53  | 2.53  | 2.54  | 2.54  |
| -10           | TC             | 70645                 |       | 46614 | 70820 | 70915 | 74892 | 74980 | 75069 | 75158 | 79367 | 79470 | 79573 | 84042 | 84151 | 84243 | 84348 | 84453 |
|               | S/T            | 0.54                  |       | 0.62  | 0.72  | 0.82  | 0.57  | 0.65  | 0.76  | 0.87  | 0.61  | 0.69  | 0.81  | 0.92  | 1.00  | 1.00  | 1.00  | 1.00  |
|               | PI             | 2.84                  |       | 2.84  | 2.84  | 2.85  | 3.01  | 3.01  | 3.01  | 3.02  | 3.19  | 3.19  | 3.19  | 3.37  | 3.38  | 3.38  | 3.39  | 3.39  |
| 0             | TC             | 69691                 |       | 46614 | 69863 | 69957 | 73879 | 73967 | 74055 | 74143 | 78294 | 78396 | 78498 | 82906 | 83014 | 83104 | 83208 | 83311 |
|               | S/T            | 0.54                  |       | 0.62  | 0.73  | 0.83  | 0.58  | 0.66  | 0.77  | 0.88  | 0.61  | 0.70  | 0.82  | 0.93  | 1.00  | 1.00  | 1.00  | 1.00  |
|               | PI             | 3.43                  |       | 3.43  | 3.44  | 3.44  | 3.63  | 3.64  | 3.64  | 3.65  | 3.85  | 3.86  | 3.86  | 4.08  | 4.08  | 4.09  | 4.09  | 4.10  |
| 5             | TC             | 69213                 |       | 46614 | 69384 | 69478 | 73373 | 73460 | 73547 | 73635 | 77758 | 77859 | 77960 | 82338 | 82446 | 82535 | 82638 | 82741 |
|               | S/T            | 0.55                  |       | 0.62  | 0.73  | 0.83  | 0.58  | 0.66  | 0.77  | 0.88  | 0.61  | 0.70  | 0.82  | 0.93  | 1.00  | 1.00  | 1.00  | 1.00  |
|               | PI             | 3.72                  |       | 3.73  | 3.73  | 3.74  | 3.95  | 3.95  | 3.96  | 3.96  | 4.18  | 4.19  | 4.19  | 4.43  | 4.44  | 4.44  | 4.45  | 4.45  |
| 14            | TC             | 68354                 |       | 46614 | 68523 | 68615 | 72463 | 72548 | 72634 | 72721 | 76793 | 76892 | 76992 | 81316 | 81422 | 81511 | 81612 | 81714 |
|               | S/T            | 0.55                  |       | 0.63  | 0.73  | 0.83  | 0.58  | 0.66  | 0.78  | 0.88  | 0.62  | 0.70  | 0.82  | 0.94  | 1.00  | 1.00  | 1.00  | 1.00  |
|               | PI             | 4.26                  |       | 4.26  | 4.27  | 4.27  | 4.51  | 4.52  | 4.52  | 4.53  | 4.78  | 4.79  | 4.79  | 5.06  | 5.07  | 5.08  | 5.08  | 5.09  |
| 23            | TC             | 66654                 |       | 46614 | 66819 | 66909 | 70660 | 70744 | 70828 | 70912 | 74883 | 74980 | 75078 | 79294 | 79397 | 79483 | 79582 | 79681 |
|               | S/T            | 0.55                  |       | 0.63  | 0.73  | 0.84  | 0.58  | 0.67  | 0.78  | 0.89  | 0.62  | 0.71  | 0.83  | 0.94  | 1.00  | 1.00  | 1.00  | 1.00  |
|               | PI             | 4.27                  |       | 4.28  | 4.28  | 4.29  | 4.53  | 4.53  | 4.54  | 4.54  | 4.80  | 4.81  | 4.81  | 5.08  | 5.09  | 5.09  | 5.10  | 5.11  |
| 32            | TC             | 64534                 |       | 46614 | 64693 | 64781 | 68413 | 68494 | 68575 | 68656 | 72501 | 72595 | 72689 | 76772 | 76871 | 76955 | 77051 | 77147 |
|               | S/T            | 0.55                  |       | 0.63  | 0.74  | 0.84  | 0.59  | 0.67  | 0.78  | 0.89  | 0.62  | 0.71  | 0.83  | 0.95  | 1.00  | 1.00  | 1.00  | 1.00  |
|               | PI             | 4.03                  |       | 4.03  | 4.04  | 4.04  | 4.27  | 4.28  | 4.28  | 4.29  | 4.53  | 4.53  | 4.54  | 4.79  | 4.80  | 4.80  | 4.81  | 4.82  |
| 41            | TC             | 61481                 |       | 46614 | 61633 | 61716 | 65176 | 65254 | 65331 | 65409 | 69071 | 69161 | 69251 | 73140 | 73235 | 73315 | 73406 | 73497 |
|               | S/T            | 0.56                  |       | 0.63  | 0.74  | 0.85  | 0.59  | 0.67  | 0.79  | 0.90  | 0.63  | 0.71  | 0.83  | 0.95  | 1.00  | 1.00  | 1.00  | 1.00  |
|               | PI             | 3.88                  |       | 3.89  | 3.89  | 3.89  | 4.11  | 4.12  | 4.12  | 4.13  | 4.36  | 4.36  | 4.37  | 4.62  | 4.62  | 4.63  | 4.63  | 4.64  |
| 50            | TC             | 59010                 |       | 46614 | 59156 | 59236 | 62557 | 62631 | 62705 | 62780 | 66295 | 66381 | 66468 | 70200 | 70292 | 70368 | 70456 | 70543 |
|               | S/T            | 0.56                  |       | 0.64  | 0.75  | 0.85  | 0.59  | 0.68  | 0.79  | 0.90  | 0.63  | 0.72  | 0.84  | 0.96  | 1.00  | 1.00  | 1.00  | 1.00  |
|               | PI             | 3.86                  |       | 3.87  | 3.87  | 3.87  | 4.09  | 4.10  | 4.10  | 4.11  | 4.34  | 4.34  | 4.35  | 4.59  | 4.60  | 4.60  | 4.61  | 4.61  |
| 59            | TC             | 58635                 |       | 46614 | 58780 | 58859 | 62159 | 62233 | 62307 | 62381 | 65874 | 65959 | 66045 | 69754 | 69845 | 69921 | 70008 | 70095 |
|               | S/T            | 0.56                  |       | 0.64  | 0.75  | 0.85  | 0.60  | 0.68  | 0.79  | 0.91  | 0.63  | 0.72  | 0.84  | 0.96  | 1.00  | 1.00  | 1.00  | 1.00  |
|               | PI             | 4.00                  |       | 4.01  | 4.01  | 4.02  | 4.24  | 4.25  | 4.25  | 4.26  | 4.50  | 4.50  | 4.51  | 4.76  | 4.77  | 4.77  | 4.78  | 4.78  |
| 68            | TC             | 58260                 |       | 46614 | 58404 | 58482 | 61761 | 61835 | 61908 | 61981 | 65452 | 65537 | 65622 | 69308 | 69398 | 69473 | 69560 | 69646 |
|               | S/T            | 0.57                  |       | 0.64  | 0.75  | 0.86  | 0.60  | 0.68  | 0.80  | 0.91  | 0.64  | 0.72  | 0.85  | 0.97  | 1.00  | 1.00  | 1.00  | 1.00  |
|               | PI             | 4.14                  |       | 4.15  | 4.15  | 4.16  | 4.39  | 4.40  | 4.40  | 4.41  | 4.66  | 4.66  | 4.67  | 4.93  | 4.94  | 4.94  | 4.95  | 4.95  |
| 77            | TC             | 57885                 |       | 46614 | 58028 | 58106 | 61364 | 61436 | 61509 | 61582 | 65031 | 65115 | 65200 | 68861 | 68951 | 69026 | 69112 | 69198 |
|               | S/T            | 0.58                  |       | 0.66  | 0.77  | 0.88  | 0.62  | 0.70  | 0.82  | 0.93  | 0.65  | 0.74  | 0.87  | 0.99  | 1.00  | 1.00  | 1.00  | 1.00  |
|               | PI             | 4.29                  |       | 4.29  | 4.30  | 4.30  | 4.54  | 4.55  | 4.55  | 4.56  | 4.81  | 4.82  | 4.83  | 5.10  | 5.10  | 5.11  | 5.12  | 5.12  |
| 86            | TC             | 57021                 | 46614 | 57162 | 57239 | 60448 | 60519 | 60591 | 60663 | 64060 | 64143 | 64227 | 67834 | 67922 | 67996 | 68080 | 68165 |       |
|               | S/T            | 0.59                  | 0.67  | 0.78  | 0.89  | 0.62  | 0.71  | 0.83  | 0.95  | 0.66  | 0.75  | 0.88  | 1.00  | 1.00  | 1.00  | 1.00  | 1.00  |       |
|               | PI             | 5.97                  | 5.97  | 5.98  | 5.99  | 6.32  | 6.33  | 6.34  | 6.35  | 6.70  | 6.71  | 6.72  | 7.10  | 7.11  | 7.11  | 7.12  | 7.13  |       |
| 95            | TC             | 56533                 | 46614 | 56672 | 56749 | 59931 | 60002 | 60073 | 60144 | 63512 | 63594 | 63677 | 67253 | 67341 | 67414 | 67498 | 67582 |       |
|               | S/T            | 0.60                  | 0.69  | 0.80  | 0.92  | 0.64  | 0.73  | 0.85  | 0.97  | 0.68  | 0.75  | 0.90  | 1.00  | 1.00  | 1.00  | 1.00  | 1.00  |       |
|               | PI             | 6.46                  | 6.47  | 6.48  | 6.49  | 6.85  | 6.86  | 6.87  | 6.87  | 7.26  | 7.27  | 7.28  | 7.69  | 7.70  | 7.71  | 7.72  | 7.72  |       |
| 104           | TC             | 46105                 | 46614 | 46219 | 46281 | 48876 | 48934 | 48992 | 49050 | 51797 | 51864 | 51932 | 54848 | 54920 | 54979 | 55048 | 55116 |       |
|               | S/T            | 0.63                  | 0.72  | 0.84  | 0.96  | 0.67  | 0.75  | 0.89  | 1.00  | 0.71  | 0.75  | 0.95  | 1.00  | 1.00  | 1.00  | 1.00  | 1.00  |       |
|               | PI             | 5.40                  | 5.41  | 5.41  | 5.42  | 5.73  | 5.73  | 5.74  | 5.75  | 6.07  | 6.08  | 6.08  | 6.43  | 6.43  | 6.44  | 6.45  | 6.46  |       |
| 115           | TC             | 37601                 | 46614 | 37694 | 37745 | 39861 | 39908 | 39955 | 40003 | 42243 | 42298 | 42353 | 44731 | 44790 | 44838 | 44894 | 44950 |       |
|               | S/T            | 0.64                  | 0.73  | 0.85  | 0.97  | 0.68  | 0.75  | 0.91  | 1.00  | 0.72  | 0.75  | 0.96  | 1.00  | 1.00  | 1.00  | 1.00  | 1.00  |       |
|               | PI             | 4.52                  | 4.52  | 4.53  | 4.53  | 4.79  | 4.79  | 4.80  | 4.80  | 5.07  | 5.08  | 5.09  | 5.37  | 5.38  | 5.38  | 5.39  | 5.40  |       |
| 122           | TC             | 30665                 | 46614 | 30741 | 30783 | 32509 | 32547 | 32586 | 32624 | 34451 | 34496 | 34541 | 36481 | 36528 | 36568 | 36613 | 36659 |       |
|               | S/T            | 0.66                  | 0.75  | 0.88  | 1.00  | 0.70  | 0.75  | 0.94  | 1.00  | 0.75  | 0.75  | 0.99  | 1.00  | 1.00  | 1.00  | 1.00  | 1.00  |       |
|               | PI             | 3.77                  | 3.78  | 3.78  | 3.79  | 4.00  | 4.01  | 4.01  | 4.02  | 4.24  | 4.25  | 4.25  | 4.49  | 4.50  | 4.50  | 4.51  | 4.51  |       |

**LEGEND**

TC - Total Cooling Capacity (BTU/hr)  
 S/T - Sensible Cooling Capacity Ratio  
 PI - Power Input (kW)  
 Gray shaded area is Extrapolated Data

HEATING PERFORMANCE AT INDOOR DRY BULB TEMPERATURE- 60K HH (Sheet 1 of 2)

| AIRFLOW<br>(CFM) | OUTDOOR<br>(DB F) | TC: TOTAL CAPACITY IN BTU/HR |       |       |       | PI: TOTAL POWER IN KILOWATTS |      |      |      |
|------------------|-------------------|------------------------------|-------|-------|-------|------------------------------|------|------|------|
|                  |                   | Indoor Conditions (DB F)     |       |       |       | Indoor Conditions (DB F)     |      |      |      |
|                  |                   | 60.8                         | 68.0  | 71.6  | 75.2  | 60.8                         | 68.0 | 71.6 | 75.2 |
| 1136             | -22.0             | 40717                        | 41548 | 42396 | 42824 | 8.83                         | 8.88 | 8.92 | 8.97 |
|                  | -10.0             | 41160                        | 42000 | 42857 | 43290 | 8.25                         | 8.29 | 8.33 | 8.37 |
|                  | 0.0               | 41528                        | 42376 | 43241 | 43677 | 7.76                         | 7.80 | 7.84 | 7.87 |
|                  | 5.0               | 41713                        | 42564 | 43433 | 43871 | 7.51                         | 7.55 | 7.59 | 7.63 |
|                  | 14.0              | 42045                        | 42903 | 43778 | 44220 | 7.07                         | 7.11 | 7.14 | 7.18 |
|                  | 17.0              | 42155                        | 43016 | 43893 | 44337 | 6.93                         | 6.96 | 7.00 | 7.03 |
|                  | 22.0              | 44258                        | 45161 | 46083 | 46548 | 6.72                         | 6.75 | 6.78 | 6.82 |
|                  | 27.0              | 46360                        | 47306 | 48272 | 48759 | 6.51                         | 6.54 | 6.57 | 6.60 |
|                  | 32.0              | 48463                        | 49452 | 50461 | 50971 | 6.30                         | 6.33 | 6.36 | 6.39 |
|                  | 37.0              | 50565                        | 51597 | 52650 | 53182 | 6.09                         | 6.12 | 6.15 | 6.18 |
|                  | 42.0              | 51571                        | 52624 | 53698 | 54240 | 5.97                         | 6.00 | 6.03 | 6.06 |
|                  | 44.6              | 51974                        | 53035 | 54117 | 54664 | 5.92                         | 5.95 | 5.98 | 6.01 |
|                  | 52.0              | 53584                        | 54678 | 55794 | 56357 | 5.74                         | 5.77 | 5.80 | 5.83 |
|                  | 57.0              | 54591                        | 55705 | 56842 | 57416 | 5.62                         | 5.65 | 5.68 | 5.71 |
| 62.0             | 55597             | 56732                        | 57889 | 58474 | 5.51  | 5.54                         | 5.56 | 5.59 |      |
| 64.4             | 56000             | 57142                        | 58309 | 58898 | 5.46  | 5.49                         | 5.52 | 5.54 |      |
| 1360             | -22.0             | 46013                        | 46952 | 47910 | 48394 | 8.92                         | 8.97 | 9.01 | 9.06 |
|                  | -10.0             | 46513                        | 47462 | 48431 | 48920 | 8.33                         | 8.37 | 8.41 | 8.46 |
|                  | 0.0               | 46930                        | 47888 | 48865 | 49359 | 7.84                         | 7.87 | 7.91 | 7.95 |
|                  | 5.0               | 47138                        | 48100 | 49082 | 49578 | 7.59                         | 7.63 | 7.67 | 7.70 |
|                  | 14.0              | 47513                        | 48483 | 49472 | 49972 | 7.14                         | 7.18 | 7.22 | 7.25 |
|                  | 17.0              | 47638                        | 48611 | 49603 | 50104 | 7.00                         | 7.03 | 7.07 | 7.10 |
|                  | 22.0              | 50014                        | 51035 | 52076 | 52602 | 6.78                         | 6.82 | 6.85 | 6.89 |
|                  | 27.0              | 52390                        | 53459 | 54550 | 55101 | 6.57                         | 6.61 | 6.64 | 6.67 |
|                  | 32.0              | 54766                        | 55884 | 57024 | 57600 | 6.36                         | 6.39 | 6.42 | 6.46 |
|                  | 37.0              | 57142                        | 58308 | 59498 | 60099 | 6.15                         | 6.18 | 6.21 | 6.24 |
|                  | 42.0              | 58279                        | 59469 | 60682 | 61295 | 6.03                         | 6.06 | 6.09 | 6.12 |
|                  | 44.6              | 58734                        | 59933 | 61156 | 61774 | 5.98                         | 6.01 | 6.04 | 6.07 |
|                  | 52.0              | 60554                        | 61790 | 63051 | 63688 | 5.80                         | 5.83 | 5.86 | 5.88 |
|                  | 57.0              | 61691                        | 62950 | 64235 | 64884 | 5.68                         | 5.71 | 5.74 | 5.77 |
| 62.0             | 62828             | 64111                        | 65419 | 66080 | 5.56  | 5.59                         | 5.62 | 5.65 |      |
| 64.4             | 63283             | 64575                        | 65893 | 66558 | 5.52  | 5.54                         | 5.57 | 5.60 |      |



HEATING PERFORMANCE AT INDOOR DRY BULB TEMPERATURE- 60K HH (Sheet 2 of 2)

| AIRFLOW (CFM) | OUTDOOR (DB F) | TC: TOTAL CAPACITY IN BTU/HR |       |       |       | PI: TOTAL POWER IN KILOWATTS |      |      |      |
|---------------|----------------|------------------------------|-------|-------|-------|------------------------------|------|------|------|
|               |                | Indoor Conditions (DB F)     |       |       |       | Indoor Conditions (DB F)     |      |      |      |
|               |                | 60.8                         | 68.0  | 71.6  | 75.2  | 60.8                         | 68.0 | 71.6 | 75.2 |
| 1583          | -22.0          | 51998                        | 53059 | 54142 | 54689 | 9.01                         | 9.06 | 9.10 | 9.15 |
|               | -10.0          | 52563                        | 53636 | 54730 | 55283 | 8.41                         | 8.46 | 8.50 | 8.54 |
|               | 0.0            | 53034                        | 54116 | 55221 | 55779 | 7.91                         | 7.95 | 7.99 | 8.03 |
|               | 5.0            | 53269                        | 54357 | 55466 | 56026 | 7.67                         | 7.70 | 7.74 | 7.78 |
|               | 14.0           | 53693                        | 54789 | 55907 | 56472 | 7.22                         | 7.25 | 7.29 | 7.33 |
|               | 17.0           | 53835                        | 54933 | 56054 | 56620 | 7.07                         | 7.10 | 7.14 | 7.17 |
|               | 22.0           | 56519                        | 57673 | 58850 | 59444 | 6.85                         | 6.89 | 6.92 | 6.96 |
|               | 27.0           | 59204                        | 60413 | 61646 | 62268 | 6.64                         | 6.67 | 6.71 | 6.74 |
|               | 32.0           | 61889                        | 63152 | 64441 | 65092 | 6.42                         | 6.46 | 6.49 | 6.52 |
|               | 37.0           | 64574                        | 65892 | 67237 | 67916 | 6.21                         | 6.24 | 6.27 | 6.30 |
|               | 42.0           | 65860                        | 67204 | 68575 | 69268 | 6.09                         | 6.12 | 6.15 | 6.18 |
|               | 44.6           | 66374                        | 67728 | 69110 | 69809 | 6.04                         | 6.07 | 6.11 | 6.14 |
|               | 52.0           | 68430                        | 69827 | 71252 | 71971 | 5.86                         | 5.89 | 5.91 | 5.94 |
|               | 57.0           | 69715                        | 71138 | 72590 | 73323 | 5.74                         | 5.77 | 5.80 | 5.82 |
| 62.0          | 71001          | 72449                        | 73928 | 74675 | 5.62  | 5.65                         | 5.68 | 5.70 |      |
| 64.4          | 71515          | 72974                        | 74463 | 75216 | 5.57  | 5.60                         | 5.63 | 5.66 |      |
| 1805          | -22.0          | 57563                        | 58738 | 59937 | 60542 | 9.10                         | 9.15 | 9.19 | 9.24 |
|               | -10.0          | 58189                        | 59376 | 60588 | 61200 | 8.50                         | 8.54 | 8.58 | 8.63 |
|               | 0.0            | 58710                        | 59908 | 61131 | 61748 | 7.99                         | 8.03 | 8.07 | 8.11 |
|               | 5.0            | 58971                        | 60174 | 61402 | 62023 | 7.74                         | 7.78 | 7.82 | 7.86 |
|               | 14.0           | 59440                        | 60653 | 61891 | 62516 | 7.29                         | 7.33 | 7.36 | 7.40 |
|               | 17.0           | 59596                        | 60813 | 62054 | 62681 | 7.14                         | 7.17 | 7.21 | 7.25 |
|               | 22.0           | 62569                        | 63846 | 65149 | 65807 | 6.92                         | 6.96 | 6.99 | 7.03 |
|               | 27.0           | 65541                        | 66879 | 68243 | 68933 | 6.70                         | 6.74 | 6.77 | 6.81 |
|               | 32.0           | 68513                        | 69912 | 71338 | 72059 | 6.49                         | 6.52 | 6.55 | 6.59 |
|               | 37.0           | 71486                        | 72945 | 74433 | 75185 | 6.27                         | 6.30 | 6.33 | 6.37 |
|               | 42.0           | 72908                        | 74396 | 75915 | 76682 | 6.15                         | 6.18 | 6.21 | 6.25 |
|               | 44.6           | 73478                        | 74977 | 76507 | 77280 | 6.10                         | 6.14 | 6.17 | 6.20 |
|               | 52.0           | 75754                        | 77300 | 78878 | 79674 | 5.91                         | 5.94 | 5.97 | 6.00 |
|               | 57.0           | 77177                        | 78752 | 80359 | 81171 | 5.80                         | 5.82 | 5.85 | 5.88 |
| 62.0          | 78600          | 80204                        | 81841 | 82667 | 5.68  | 5.70                         | 5.73 | 5.76 |      |
| 64.4          | 79169          | 80784                        | 82433 | 83266 | 5.63  | 5.66                         | 5.68 | 5.71 |      |

Gray shaded area is Extrapolated Data

## APPLICATION DATA

### Unit Selections

Select equipment that either matches or supports slightly more than the anticipated peak load. This provides better humidity control, fewer unit cycles, and less part-load operation.

For units used in spaces with high sensible loads, base equipment selection on unit sensible load, not on total anticipated load. Adjust for anticipated room wet bulb temperature to avoid undersizing the equipment.

### Unit Mounting (Outdoor)

Refer to the unit's installation instructions for further details.

**Unit leveling** - For reliable operation, units should be level in all planes.

**Clearance** - Minimum clearance (see Fig. 5 — on page 8 ) must be provided for airflow. The condensing units are designed for free-flow application. Air inlets and outlets should not be restricted.

**Unit location** - A location which is convenient to installation and not exposed to strong winds. A location that can bear the weight of the outdoor unit and where the outdoor unit can be mounted in a level position.

Do not install the indoor or outdoor units in a location with special environmental conditions. For those applications, contact your sales representative.

### System Operating Conditions

#### OPERATING RANGE MIN/MAX °F / °C

All High Heat Units:

- **Cooling:** -22/130 (-30/55)
- **Heating:** -22/86 (-30/30)

Regular Heat Units:

- **Cooling:** 5/130 (-15/55)
- **Heating:** -5/86 (-20/30)

**NOTE: Without intervention, the unit may continue to run at temperatures outside of the specified operating temperatures. However, operation outside of the specified temperature range may result in decreased performance and may cause damage to the unit.**

### METERING DEVICES

The outdoor unit has an electronic expansion valve to manage the refrigerant flow of the connected fan coil.

### DRAIN CONNECTIONS

Install drains to meet the local sanitation codes.

### REFRIGERANT LINES

#### General refrigerant line sizing:

1. The outdoor units are shipped with a full charge of R410A refrigerant. All charges, line sizing, and capacities are based on runs of 25 ft. (7.6 m). For runs over 25 ft. (7.6 m), add 0.69 oz/ft (65 g/m) of refrigerant charge.
2. Refrigerant lines should not be buried in the ground. If it is necessary to bury the lines, do not bury more than 36-in (914 mm). Provide a minimum 6-in (152 mm) vertical rise to the service valves to prevent refrigerant migration.
3. Insulate the suction line with a minimum 3/8-in (10 mm) wall thermal pipe insulation. Follow local codes.

4. Special consideration should be given to isolating the interconnecting tubing from the building structure. Isolate the tubing so vibration or noise is not transmitted into the structure.

## CAUTION

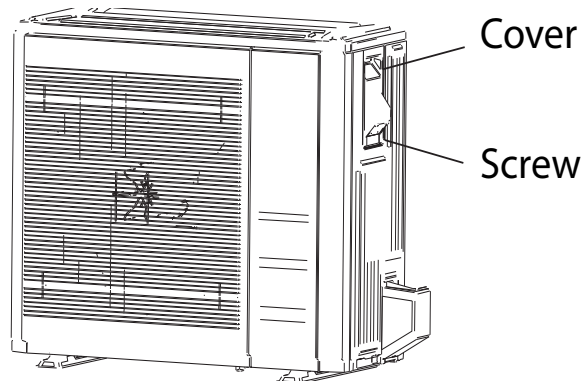
It is **REQUIRED** to flow Nitrogen while brazing the line set or line set adapter(s) for these condensing units.

## WIRING

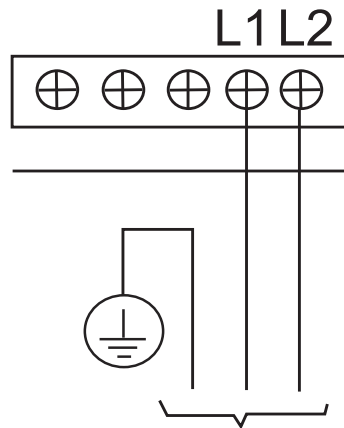
All wires must be sized per NEC (National Electrical Code) or CEC (Canadian Electrical Code) and local codes. Use Electrical Data table MCA (minimum circuit amps) and MOCP (maximum over current protection) to correctly size the wires and the disconnect fuse or breakers respectively.

### Power wiring

1. Remove the electric cover of the outdoor unit.
2. Connect the fork terminal to the terminals.
3. Match the wire labels with the labels on the terminal block.
4. Firmly screw the fork terminal of each wire to its corresponding terminal.
5. Insulate unused wires with electrical tape. Keep them away from any electrical or metal parts.
6. Reinstall the cover of the electric control box.



**Fig. 1 —Remove Electrical Cover**



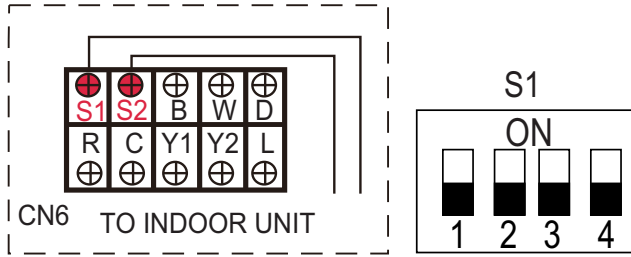
**TO POWER SOURCE**

**Fig. 2 —Match Fork Terminal to Terminal Labels**

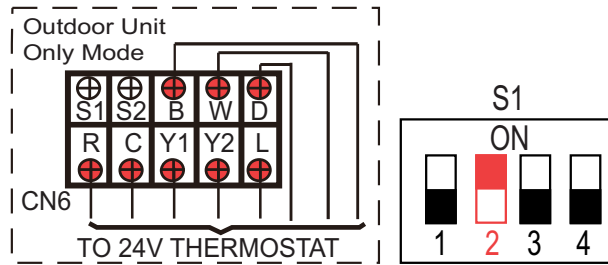
**Communication wiring**

There are two options available to establish communication between the outdoor unit and approved indoor unit.

| OPTIONS | COMMUNICATION TYPE                         | RECOMMENDED CABLE SIZE             |
|---------|--|------------------------------------|
| 1       | Non-Polarity RS485 Communication (S1 - S2) | 16 AWG (stranded shielded)         |
| 2       | 24V communication                          | 18 AWG 8 conductor thermostat wire |



**Fig. 3 —Option 1: Non-polarity RS485 Communication**



**Fig. 4 —Option 2: 24V Communication**

**NOTES:**

1. Do not use the thermostat wire for any RS-485 connection between indoor and outdoor units.
2. All connections between the indoor and outdoor units must be made as shown in Figures 3 - 4.

**⚠ CAUTION**

Power needs to be OFF before dip switch adjustments.

**⚠ WARNING**

**EQUIPMENT DAMAGE HAZARD**  
Failure to follow this caution may result in equipment damage or improper operation. Wires should be sized based on NEDC and local codes.

**⚠ CAUTION**

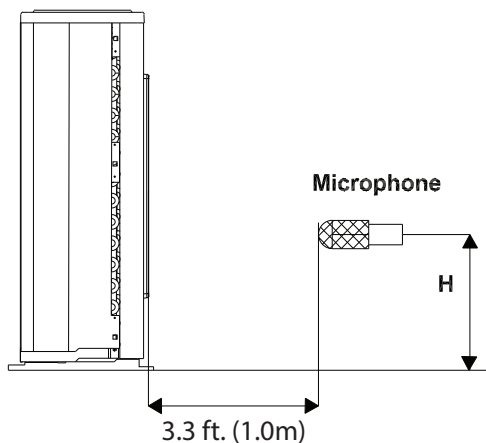
**EQUIPMENT DAMAGE HAZARD**  
Failure to follow this caution may result in equipment damage or improper operation. Be sure to comply with local codes while running wire from the indoor unit to the outdoor unit. Every wire must be connected firmly. Loose wiring may cause the terminal to overheat or result in unit malfunction. A fire hazard may also exist. Ensure all wiring is tightly connected.  
No wire should touch the refrigerant tubing, compressor or any moving parts. Disconnecting means must be provided and shall be located within sight and readily accessible from the air conditioner. Connecting cable with conduit shall be routed through the hole in the conduit panel.

### Sound Pressure in Octave Bands

|                      | Frequency (Hz) | 63   | 125  | 250  | 500  | 1000 | 2000 | 4000 | 8000 |
|----------------------|----------------|------|------|------|------|------|------|------|------|
| 18K (208V)           | Cooling dB(A)  | 43.1 | 43.5 | 46.2 | 48.6 | 47.0 | 42.8 | 37.8 | 32.9 |
|                      | Heating dB(A)  | 37.8 | 42.8 | 43.7 | 46.9 | 48.3 | 45.5 | 41.4 | 34.6 |
| 18K (208V) High Heat | Cooling dB(A)  | 56.9 | 63.4 | 57.0 | 53.4 | 48.7 | 43.7 | 37.4 | 32.0 |
|                      | Heating dB(A)  | 59.7 | 63.3 | 57.7 | 54.3 | 50.3 | 44.8 | 39.7 | 34.7 |
| 24K (208V)           | Cooling dB(A)  | 47.2 | 50.1 | 50.0 | 51.1 | 51.7 | 47.5 | 41.6 | 34.4 |
|                      | Heating dB(A)  | 44.0 | 48.6 | 49.7 | 51.4 | 53.2 | 49.1 | 44.4 | 37.6 |
| 24K (208V) High Heat | Cooling dB(A)  | 63.3 | 62.4 | 59.2 | 53.6 | 51.0 | 46.1 | 42.6 | 36.8 |
|                      | Heating dB(A)  | 65.6 | 66.8 | 62.6 | 55.4 | 53.7 | 49.3 | 45.3 | 40.8 |
| 30K (208V)           | Cooling dB(A)  | 42.9 | 47.3 | 54.1 | 54.2 | 56.2 | 54.4 | 49.6 | 41.8 |
|                      | Heating dB(A)  | 44.0 | 50.5 | 51.9 | 52.9 | 53.5 | 50.9 | 47.7 | 40.4 |
| 30K (208V) High Heat | Cooling dB(A)  | 64.0 | 69.4 | 61.6 | 55.7 | 54.5 | 50.4 | 47.1 | 41.3 |
|                      | Heating dB(A)  | 64.2 | 68.2 | 62.7 | 57.1 | 56.5 | 52.6 | 49.1 | 43.5 |
| 36K (208V)           | Cooling dB(A)  | 45.5 | 56.1 | 55.8 | 56.4 | 56.8 | 53.3 | 50.6 | 42.9 |
|                      | Heating dB(A)  | 43.6 | 51.0 | 52.4 | 52.9 | 55.7 | 52.9 | 49.5 | 41.7 |
| 36K (208V) High Heat | Cooling dB(A)  | 65.9 | 63.3 | 57.4 | 57.6 | 53.2 | 48.4 | 44.1 | 48.0 |
|                      | Heating dB(A)  | 68.5 | 64.8 | 58.9 | 58.0 | 54.6 | 49.0 | 44.2 | 42.5 |
| 48K (208V)           | Cooling dB(A)  | 51.6 | 51.6 | 50.4 | 54.8 | 55.9 | 54.6 | 46.8 | 41.0 |
|                      | Heating dB(A)  | 48.4 | 50.0 | 49.9 | 55.3 | 56.0 | 52.3 | 47.3 | 43.9 |
| 48K (208V) High Heat | Cooling dB(A)  | 65.4 | 66.5 | 58.7 | 57.7 | 54.6 | 50.1 | 46.5 | 45.6 |
|                      | Heating dB(A)  | 64.0 | 65.5 | 60.9 | 59.7 | 56.1 | 50.6 | 45.6 | 42.7 |
| 60K (208V)           | Cooling dB(A)  | 49.1 | 52.1 | 53.7 | 57.0 | 58.2 | 55.1 | 47.8 | 41.1 |
|                      | Heating dB(A)  | 45.5 | 50.9 | 53.3 | 56.7 | 56.7 | 52.3 | 46.5 | 42.2 |
| 60K (208V) High Heat | Cooling dB(A)  | 49.4 | 52.2 | 52.3 | 56.4 | 56.4 | 50.9 | 48.2 | 51.0 |
|                      | Heating dB(A)  | 49.8 | 51.1 | 51.2 | 54.9 | 56.8 | 51.6 | 46.2 | 43.2 |

### Outdoor Unit Sound Pressure Test Conditions

**NOTE: H=0.5 x Height of outdoor unit**



|                | INDOOR CONDITION |               | OUTDOOR CONDITION |               |
|----------------|------------------|---------------|-------------------|---------------|
|                | DB               | WB            | DB                | WB            |
| <b>Cooling</b> | 80.6°F (27°C)    | 66.2°F (19°C) | 95°F (35°C)       | 75.2°F (24°C) |
| <b>Heating</b> | 68°F (20°C)      | 59°F (15°C)   | 44.6°F (7°C)      | 42.8°F (6°C)  |

**Fig. 5 —Outdoor Unit Sound Pressure Test**

A220462

## ELECTRICAL DATA

| Outdoor Unit                                   |              | 18K     | 18K High Heat | 24K  | 24K High Heat | 30K   | 30K High Heat | 36K   | 36K High Heat | 48K  | 48K High Heat | 60K  | 60K High Heat |
|--|--------------|---------|---------------|------|---------------|-------|---------------|-------|---------------|------|---------------|------|---------------|
| Minimum Circuit Ampacity (MCA)                 | A            | 16      | 16            | 19   | 20.5          | 20    | 23            | 24    | 41            | 34   | 42            | 34   | 42            |
| Maximum Overcurrent Protection Ampacity (MOPA) | A            | 20      | 20            | 30   | 35            | 35    | 35            | 40    | 50            | 50   | 50            | 50   | 60            |
| Voltage-Phase Frequency                        | 208/230-1-60 |         |               |      |               |       |               |       |               |      |               |      |               |
| Max – Min Voltage Range*                       | V            | 253-187 |               |      |               |       |               |       |               |      |               |      |               |
| Cooling  |              |         |               |      |               |       |               |       |               |      |               |      |               |
| Running current                                | (A)          | 7.5     | 6.5           | 9.7  | 9.40          | 12.20 | 12.40         | 15.82 | 14.8          | 21.9 | 24.2          | 23.8 | 26.7          |
| Power consumption                              | (W)          | 1620    | 1430          | 2120 | 1920          | 2760  | 2720          | 3750  | 3300          | 5046 | 5530          | 5644 | 6110          |
| Power factor                                   | (%)          | 97.2    | 71.1          | 98.9 | 94.6          | 95.8  | 96.4          | 97.2  | 97.8          | 98   | 99            | 98.3 | 97.9          |
| Heating  |              |         |               |      |               |       |               |       |               |      |               |      |               |
| Running current range                          | (A)          | 6.7     | 7             | 9.8  | 9.13          | 12.40 | 12.50         | 16.12 | 14.8          | 23.3 | 21.5          | 20.9 | 21.5          |
| Power consumption                              | (W)          | 1510    | 1550          | 2150 | 2040          | 2850  | 2780          | 3496  | 3400          | 5373 | 4880          | 4959 | 4940          |
| Power factor                                   | (%)          | 96.9    | 71.5          | 98.8 | 94.5          | 96.3  | 96.7          | 96.8  | 97.6          | 98.4 | 98.9          | 97.7 | 97.1          |

\*Permissible limits of the voltage range at which the unit will operate satisfactorily.

## Fan and Motor Specifications

| System Size             |              | 18K            | 18K High Heat | 24K         | 24K High Heat | 30K          | 30K High Heat | 36K          | 36K High Heat    | 48K              | 48K High Heat    | 60K              | 60K High Heat    |
|-------------------------|--------------|----------------|---------------|-------------|---------------|--------------|---------------|--------------|------------------|------------------|------------------|------------------|------------------|
| Diameter                | inch (mm)    | 17.09 (434)    | 21.06 (535)   | 21.06 (535) | 22.05 (560)   | 22.05 (560)  | 22.05 (560)   | 22.05 (560)  | 21.8 (554)       | 21.8 (554)       | 21.8 (554)       | 21.8 (554)       | 21.8 (554)       |
| Height                  | inch (mm)    | 5.67(144)      | 5.24 (133)    | 5.24 (133)  | 5.47 (139)    | 5.47 (139)   | 5.47 (139)    | 5.47 (139)   | 5.83 (148)       | 5.83 (148)       | 5.83 (148)       | 5.83 (148)       | 5.83 (148)       |
| Model                   | -            | ZKFN-34-10-1-3 | ZKFN-80-8-3   | ZKFN-80-8-3 | ZKFN-120-8-2  | ZKFN-120-8-2 | ZKFN-120-8-2  | ZKFN-120-8-2 | ZKFN-85-8-22-5x2 | ZKFN-85-8-22-5x2 | ZKFN-85-8-22-5x2 | ZKFN-85-8-22-5x2 | ZKFN-85-8-22-5x2 |
| Voltage-Phase-Frequency | 208/230-3-60 |                |               |             |               |              |               |              |                  |                  |                  |                  |                  |
| FLA                     | A            | 1              | 1             | 1           | 1.35          | 1.35         | 1.35          | 1.48         | 2.4              | 2.4              | 2.4              | 2.4              | 2.4              |
| Rated HP                | HP           | 1/16           | 1/10          | 1/10        | 1/6           | 1/6          | 1/6           | 1/6          | 1/9x2            | 1/9x2            | 1/9x2            | 1/9x2            | 1/9x2            |
| Output                  | W            | 34             | 80            | 80          | 120           | 120          | 120           | 120          | 85               | 85               | 85               | 85               | 85               |
| Type                    | -            | DC             |               |             |               |              |               |              |                  |                  |                  |                  |                  |
| Insulation class        | -            | B              | E             | E           | E             | E            | E             | E            | E                | E                | E                | E                | E                |
| Safe class              | -            | IP24           | IPX4          | IPX4        | IPX4          | IPX4         | IPX4          | IPX4         | IPX4             | IPX4             | IPX4             | IPX4             | IPX4             |
| Input                   | W            | 99.6           | 120           | 120         | 173           | 173          | 173           | 173          | 85               | 85               | 85               | 85               | 85               |
| Range of current        | Ams          | 0.89±10 %      | 1±20%         | 1±20%       | 1.39±10 %     | 1.39±10 %    | 1.39±10 %     | 1.39±10 %    | 1.178±10 %       | 1.178±10 %       | 1.178±10 %       | 1.178±10 %       | 1.178±10 %       |
| Rated current           | Amp          | 0.89           | 0.82          | 0.82        | 1.21          | 1.21         | 1.21          | 1.21         | 1.178            | 1.178            | 1.178            | 1.178            | 1.178            |
| Speed                   | rev/min      | 840/700/650    | 800/700/580   | 810/700/450 | 950/700/500   | 950/700/500  | 950/900/500   | 950/700/500  | 850/750/650      | 850/750/650      | 850/750/650      | 900/850/650      | 850/750/650      |
| Rated RPM               | rev/min      | 840            | 800           | 810         | 950           | 950          | 950           | 950          | 850              | 850              | 850              | 900              | 850              |
| Max. input              | W            | 99.6           | 120.0         | 120.0       | 170.0         | 170.0        | 170.0         | 170.0        | 126              | 126              | 126              | 126              | 126              |

## CONNECTION DIAGRAMS

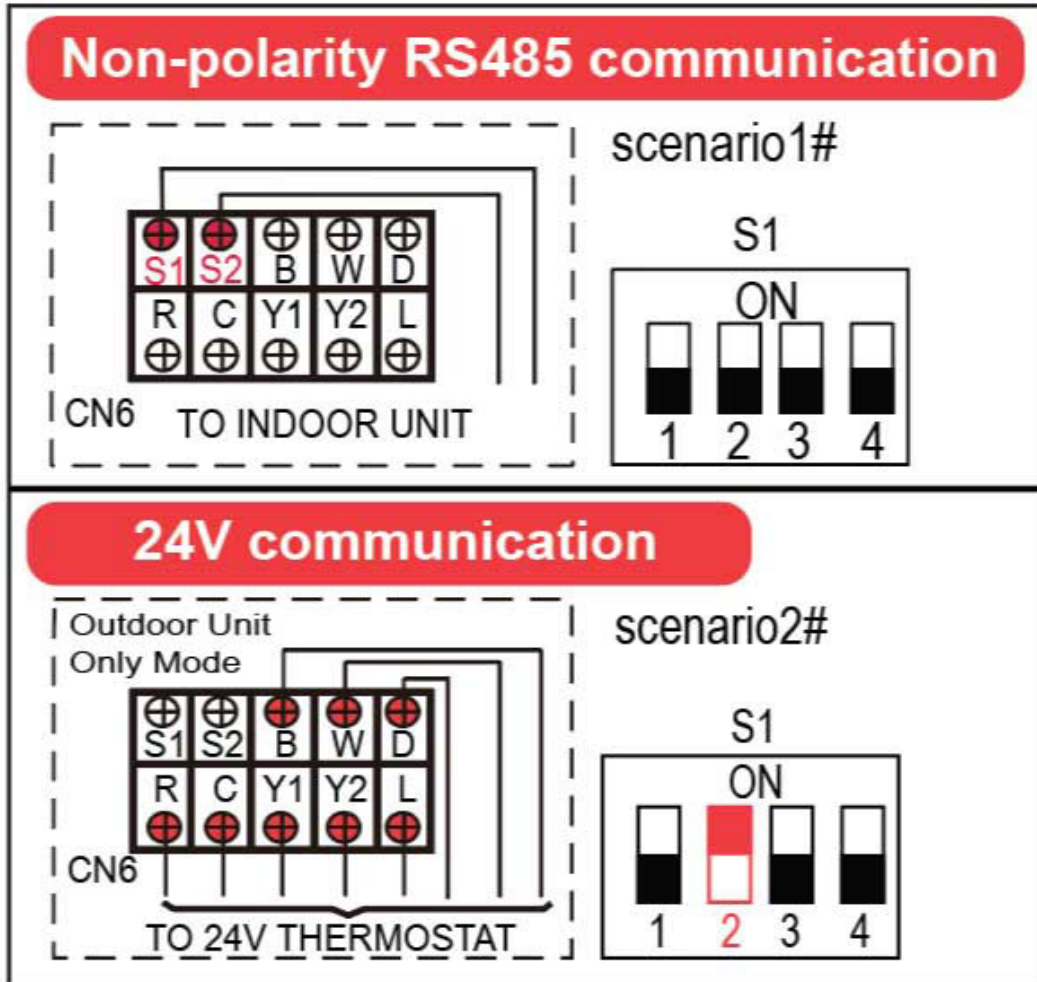


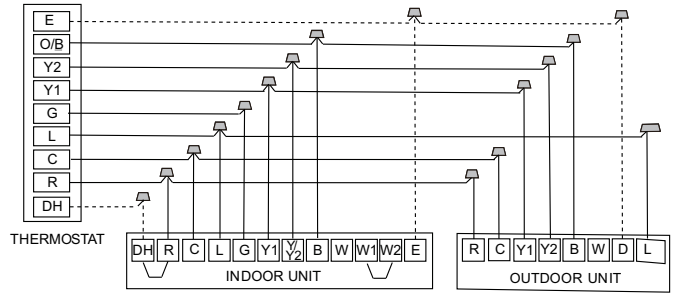
Fig. 6 —Connection Diagrams

# 24V CONNECTION DIAGRAMS

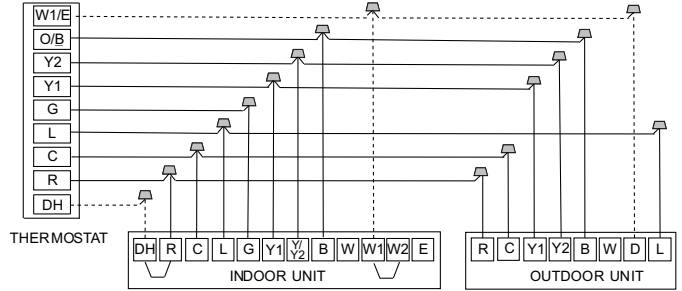
**Table 1 — Terminal Function**

|    |                                    |
|----|------------------------------------|
| R  | 24V Power Connection               |
| C  | Common                             |
| Y1 | Low Demand                         |
| Y2 | High Demand                        |
| B  | Heating Reversing Valve            |
| W  | Heating Control                    |
| D  | Defrost - (24V output signal)      |
| L  | System Fault - (24V output signal) |

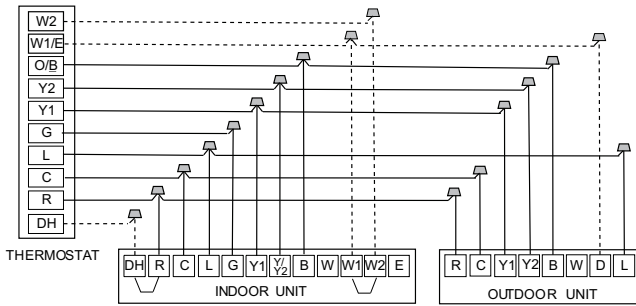
**NOTE:** Terminal D will be energized when the outdoor unit goes into defrost mode and can be used to enable electric heat. This feature is not available when the outdoor unit communicates with the indoor unit via non-polarity RS485 Communication S1-S2.



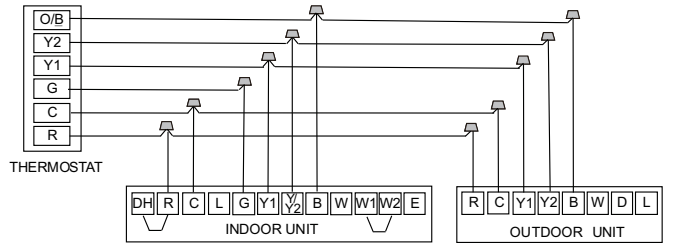
**Fig. 9 —Wiring for 3H and 2C Thermostat**



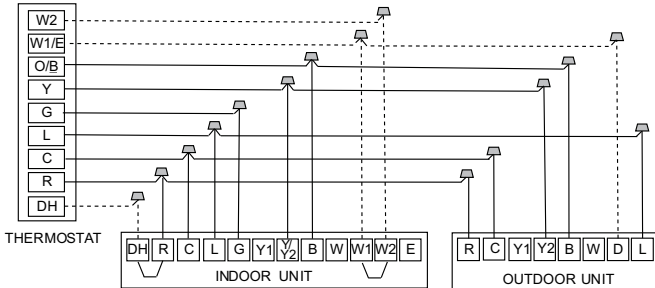
**Fig. 10 —Wiring for 3H and 2C Thermostat**



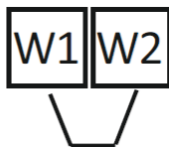
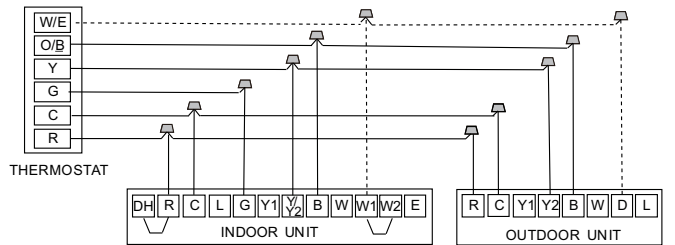
**Fig. 7 —Wiring for 4H and 2C Thermostat**



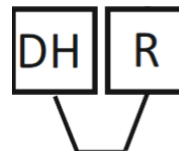
**Fig. 11 —Wiring for 2H and 2C Thermostat**



**Fig. 8 —Wiring for 3H and 1C Thermostat**



**S4-1:**  
 Default ON: For single stage supplemental heat, W1 and W2 are connected.  
 OFF: For dual stage supplemental heat, W1 and W2 are controlled independently. feature is enabled through thermostat.



**S4-2:**  
 Default ON: Dehumidification control not available.  
 OFF: Dehumidification feature is enabled through thermostat.

**Note:** Dip switches are located on compatible indoor unit.  
 Refer to the indoor unit installation manual for additional information.

# WIRING DIAGRAMS

| ICP          | BOM Code       | Wiring Label   |
|--------------|----------------|----------------|
| DLCURAH18AAK | 22023116000102 | 16022000C73977 |
| DLCURAH24AAK | 22023116000081 | 16022000C73984 |
| DLCURAH30AAK | 22023116000101 | 16022000C75547 |
| DLCURAH36AAK | 22023116000082 | 16022000C75547 |
| DLCURAH48AAK | 22023116000103 | 16022000C72885 |
| DLCURAH60AAK | 22023116000083 | 16022000C72885 |
| DLCURAH18ABK | 22023116000162 | 16022000C73984 |
| DLCURAH24ABK | 22023116000161 | 16022000C75547 |
| DLCURAH30ABK | 22023116000163 | 16022000C75547 |
| DLCURAH36ABK | 22023116000164 | 16022000C72962 |
| DLCURAH48ABK | 22023116000141 | 16022000C72962 |
| DLCURAH60ABK | 22023116000281 | 16022000C72962 |

## Standard Models

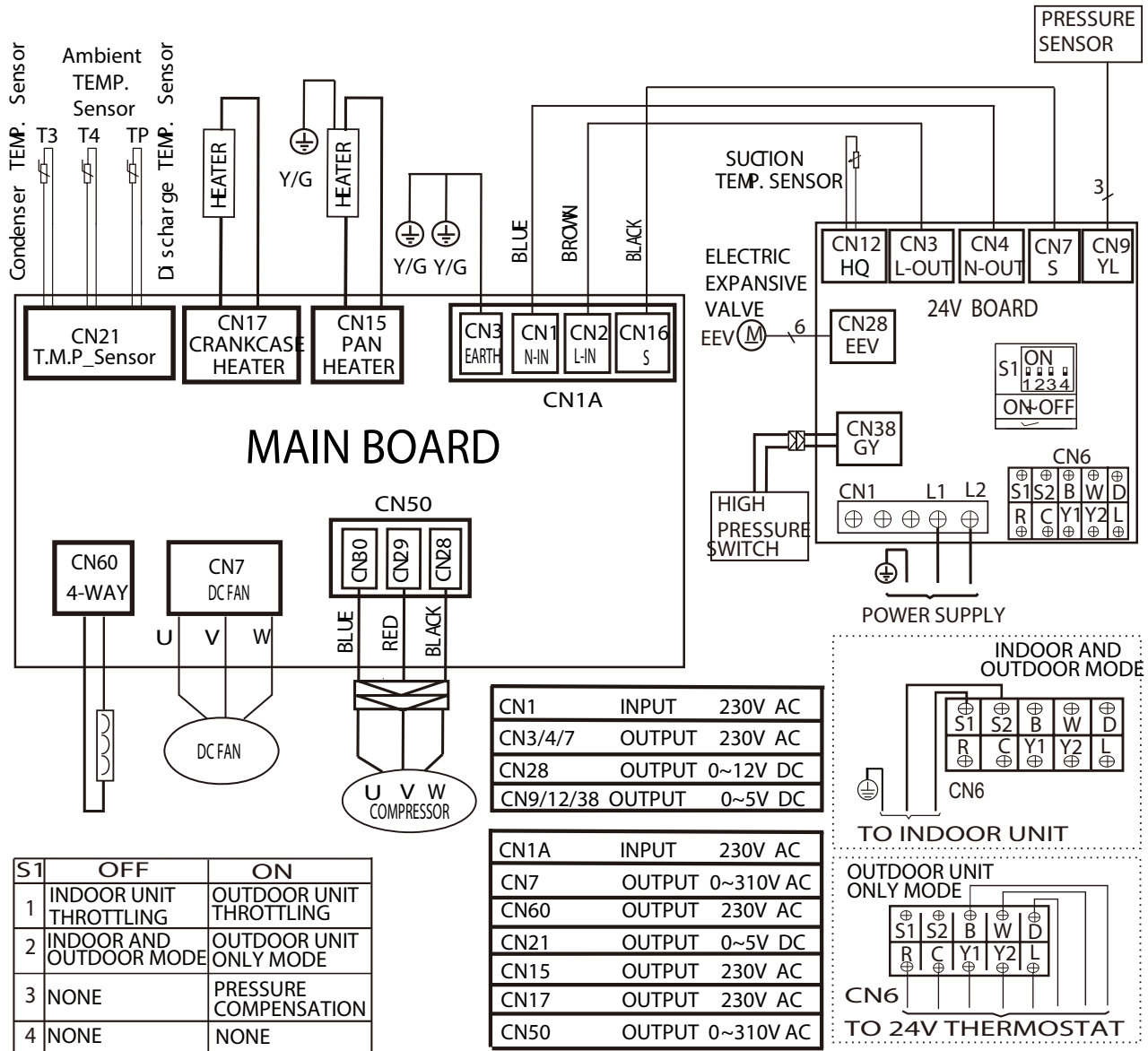


Fig. 14 —Wiring Diagram Size 18K



# WIRING DIAGRAMS (CONTINUED)

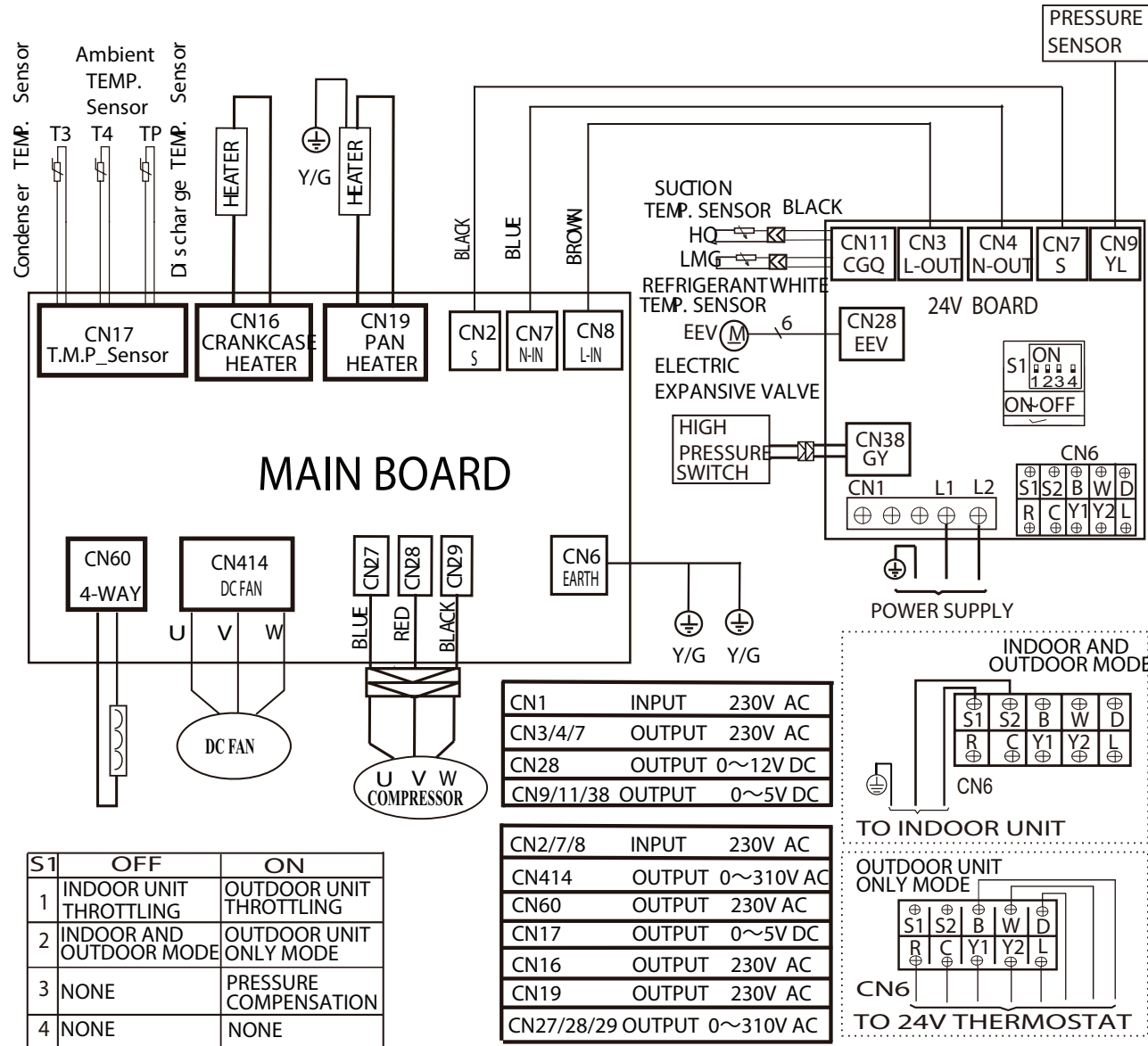


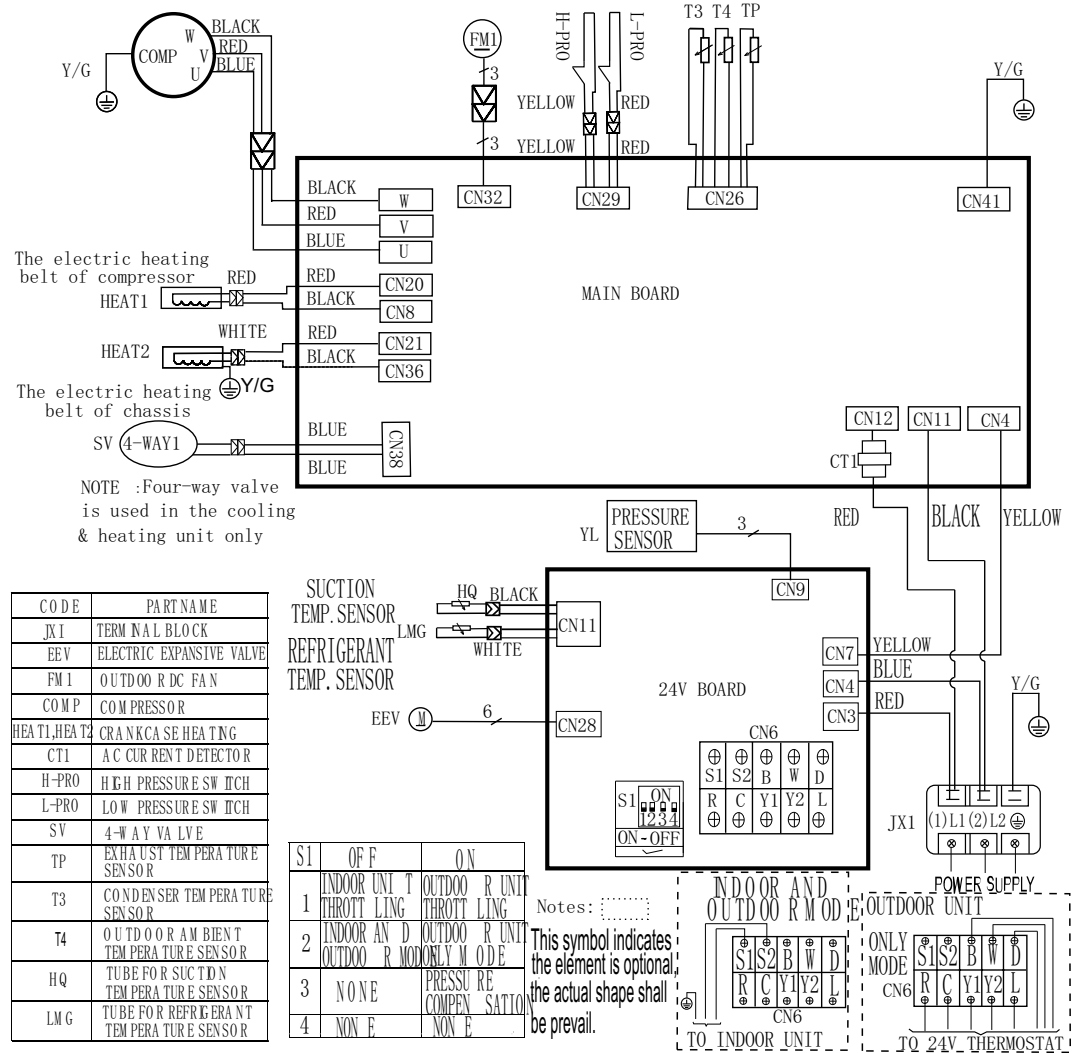
Fig. 15 — Wiring Diagram - Size 24K

Manufacturer reserves the right to change, at any time, specifications and designs without notice and without obligations.

# WIRING DIAGRAMS (CONTINUED)

| OUTDOOR UNIT MAIN BOARD |  |
|-------------------------|--|
| CODE                    | PART NAME  |
| CN11 ,CN 12             | Input:230VAC High voltage  |
| CN 4                    | Output:Connection of the high voltage-- (24V BOARD' S CN7 "S"        |
| CN4 1                   | Connection to the earth  |
| CN2 6                   | Input:Pin2,Pin3,Pin5(5VDC), Pin4, Pin1,Pin6(0-5VDC)-- "T3","T4","Tp" |
| CN2 9                   | Input:Pin1,Pin3(0-5VDC)Pin2, Pin4(0VDC)--H/L Pressure Switch         |
| CN3 2                   | Connection to DC FAN   |
| U,V,W                   | Connection to compressor voltage among phases 0-310VAC               |
| CN20 ,CN 8              | Output:230VAC High voltage--COMPRESSOR HEATER                        |
| CN21 ,CN 36             | Output:230VAC High voltage--CHASSIS HEATER                           |
| CN3 8                   | Output:230VAC High voltage--REVERSE VALVE                            |

| OUTDOOR UNIT 24V BOARD |  |
|------------------------|--|
| CODE                   | PART NAME  |
| CN 11                  | Input:Pin1,Pin3(5VDC),Pin2,Pin4(0-5VDC)  |
| CN 28                  | Output:Pin1-Pin4 Pulse waveform(0-12VDC),Pin5, Pin6 (12VDC) --EEV  |
| S1                     | Input:Pin1-Pin4(5VDC),Pin5-Pin8(0-5VDC)  |
| CN6                    | INDOOR AND OUTDOOR MODE: S1~S2 Connection to INDOOR UNIT, OUTDOOR UNIT ONLY MODE: B~D "R" C "Y1" Y2 L Connection to 24V THERMOSTAT |
| CN9                    | Input:Pin2(0-5VDC),Pin3(5VDC),Pin1(0VDC)--PRESSURE SENSOR  |
| CN 7                   | Output:Connection of the high voltage-- (MAIN BOARD' S CN7) "S"  |
| CN4,CN3                | Input:230VAC High voltage  |



| CODE         | PART NAME                               |
|--------------|---|
| JX1          | TERMINAL BLOCK                          |
| EEV          | ELECTRIC EXPANSIVE VALVE                |
| FM1          | OUTDOOR DC FAN                          |
| COMP         | COMPRESSOR                              |
| HEAT1, HEAT2 | CRANKCASE HEATING                       |
| CT1          | AC CURRENT DETECTOR                     |
| H-PRO        | HIGH PRESSURE SWITCH                    |
| L-PRO        | LOW PRESSURE SWITCH                     |
| SV           | 4-WAY VALVE                             |
| TP           | EXHAUST TEMPERATURE SENSOR              |
| T3           | CONDENSER TEMPERATURE SENSOR            |
| T4           | OUTDOOR AMBIENT TEMPERATURE SENSOR      |
| HQ           | TUBE FOR SUCTION TEMPERATURE SENSOR     |
| LMG          | TUBE FOR REFRIGERANT TEMPERATURE SENSOR |

| S1 | OFF                               | ON                      |
|----|-----------------------------------|-------------------------|
| 1  | INDOOR UNIT THROTTLING            | OUTDOOR UNIT THROTTLING |
| 2  | INDOOR AND OUTDOOR UNIT ONLY MODE | OUTDOOR UNIT ONLY MODE  |
| 3  | NONE                              | PRESSURE COMPENSATION   |
| 4  | NONE                              | NONE                    |

Fig. 16 —Wiring Diagram Sizes 30K-36K

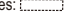
# WIRING DIAGRAMS (CONTINUED)

| OUTDOOR UNIT MAIN CONTROL BOARD |  |
|---------------------------------|--|
| CODE                            | PART NAME  |
| CN1-CN3                         | Input:230VAC High voltage  |
| P5 P6                           | Connection to the earth  |
| P8-P7                           | Output:230VAC High voltage to 24V BOARD  |
| CN21                            | Output:Pin1(Connection of the high voltage)"S"   |
| CN17-CN18                       | Output:230VAC High voltage---REVERSING VALVE   |
| CN24-CN25                       | Output:230VAC High voltage---CRANKCASE HEATER  |
| CN19-CN20                       | Output:230VAC High voltage---CHASSIS HEATER  |
| CN8                             | Input:Pin1(0-5VDC),Pin2(5VDC)  |
| CN9                             | Input:Pin3 Pin4(5VDC),Pin2(0VDC),Pin1 Pin5(0-5VDC)   |
| CN6                             | Communication:Pin1-Pin6 Pulse waveform(0-5VDC),Pin7, Pin9(0VDC),Pin8(0-5VDC),Pin10(5VDC)--to IPM&PFC BOARD |
| CN2-CN4                         | Output:230VAC High voltage to IPM&PFC BOARD  |
| CN10                            | Input:Pin2 Pin4(0VDC),Pin1 Pin3(0-5VDC)--H/L Pressure switch   |
| CN14                            | Input:Pin1(5VDC),Pin2(0-5VDC)--COMP. TOP OLP TEMP.SENSOR   |

| OUTDOOR UNIT IPM&PFC BOARD |  |
|----------------------------|--|
| CODE                       | PART NAME  |
| CN2-CN3                    | Input:230VAC High voltage  |
| CN9                        | Communication:Pin1-Pin2 Pulse waveform(0-5VDC),Pin7, Pin9(0VDC),Pin10(5VDC)--to outdoor main control board |
| U-V-W                      | Connect to compressor voltage among phases 0-250VAC  |
| CN8 CN5                    | Connect to DCFAN voltage among phases 0-200VAC   |

| 24V BOARD |   |
|-----------|---|
| CODE      | PART NAME   |
| CN3-CN4   | Input:230VAC High voltage   |
| CN7       | (Connection of the high voltage)"S"                               |
| CN9       | Input:Pin1(5VDC),Pin2(0-5VDC),Pin3(0VDC)--PRESSURE SENSOR         |
| CN28      | Output:Pin1-Pin4 Pulse waveform(0-12VDC), Pin5 Pin6(12VDC) to EEV |
| CN11      | Input:Pin1 Pin3(5VDC),Pin2 Pin4(0-5VDC)                           |

| CODE             | PART NAME                    |
|------------------|------------------------------|
| COMP             | COMPRESSOR                   |
| CT1              | AC CURRENT DETECTOR          |
| EEV              | ELECTRONIC EXPANSION VALVE   |
| DCFAN1<br>DCFAN2 | OUTDOOR DC FAN MOTOR         |
| HEAT_D<br>HEAT_Y | CHASSIS HEATER               |
| H-PRO            | HIGH PRESSURE SWITCH         |
| L-PRO            | LOW PRESSURE SWITCH          |
| SV               | REVERSING VALVE              |
| TP               | COMP. DISCHARGE TEMP. SENSOR |
| T3               | COIL TEMP. SENSOR            |
| T4               | OUTDOOR AMBIENT TEMP. SENSOR |
| HQ               | SUCTION TEMP. SENSOR         |
| LMG              | REFRIGERANT TEMP. SENSOR     |
| COMP TOP         | COMP. TOP OLP TEMP. SENSOR   |

Notes:  This symbol indicates the element is optional, the actual shape shall be prevail

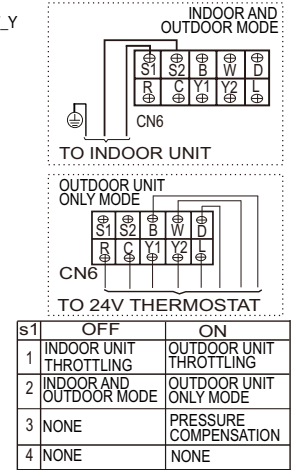
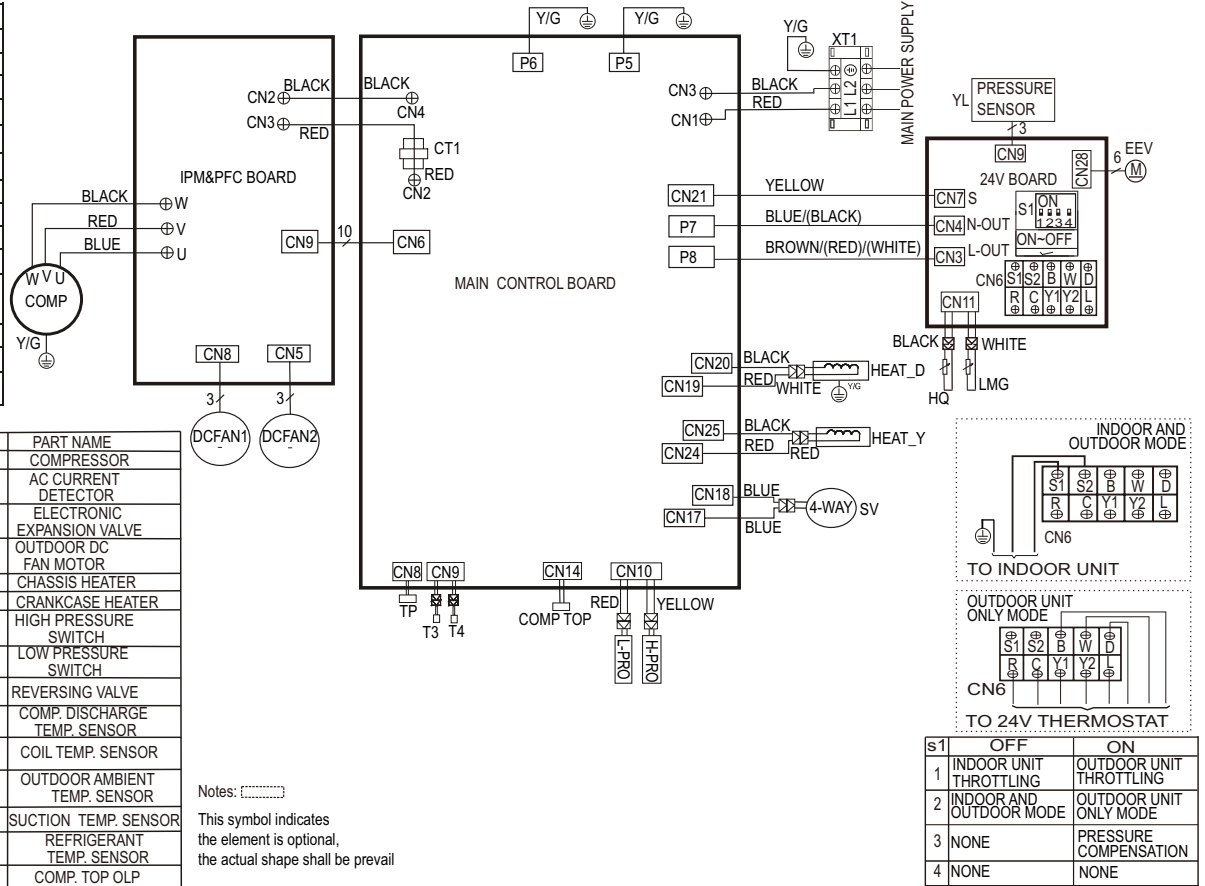


Fig. 17 —Wiring Diagram Sizes 48K-60K

# WIRING DIAGRAMS (CONTINUED)

## High Heat Models

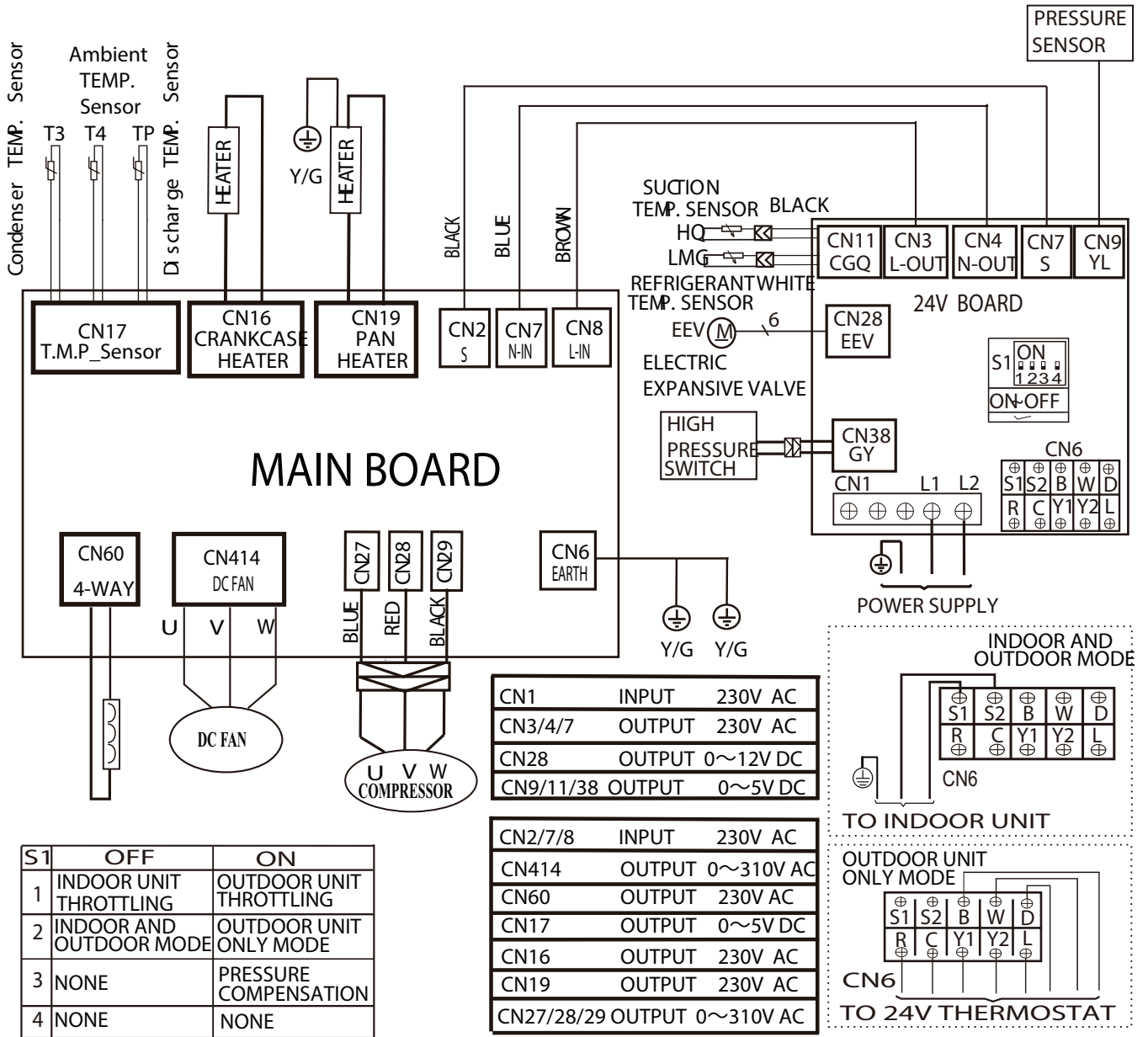


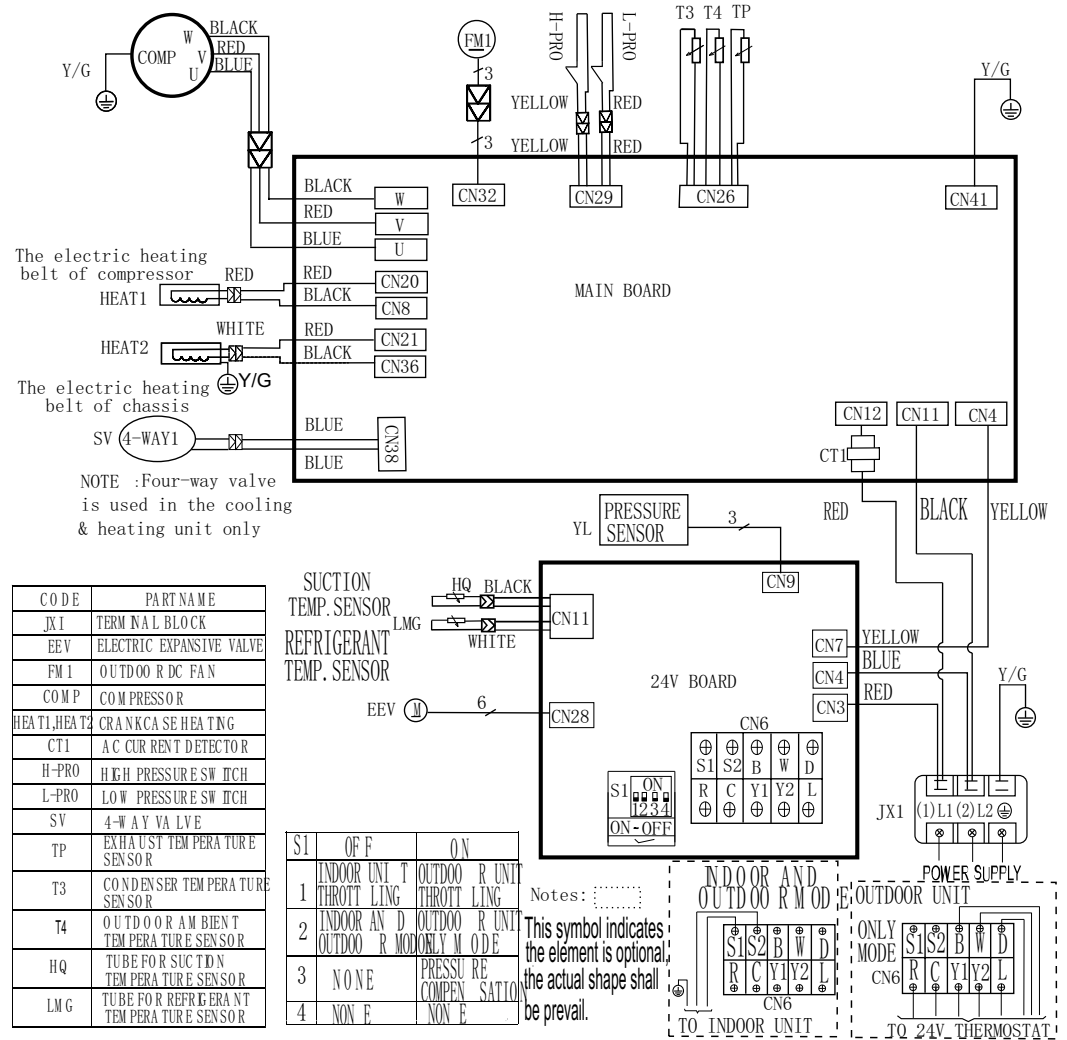
Fig. 14 —Wiring Diagram Sizes 18K HH

A221425

# WIRING DIAGRAMS (CONTINUED)

| OUTDOOR UNIT MAIN BOARD |  |
|-------------------------|--|
| CODE                    | PART NAME  |
| CN11, CN12              | Input 230VAC High voltage  |
| CN4                     | Output Connection of the high voltage -- (24V BOARD'S CN7) "S"               |
| CN41                    | Connection to the earth  |
| CN26                    | Input Pin2, Pin3, Pin5 (5VDC), Pin4, Pin1, Pin6 (0-5VDC) -- "T3", "T4", "Tp" |
| CN29                    | Input Pin1, Pin3 (0-5VDC) Pin2, Pin4 (0VDC) -- H/L Pressure Switch           |
| CN32                    | Connection to DC FAN   |
| U, V, W                 | Connection to compressor voltage among phases 0-310VAC                       |
| CN20, CN8               | Output 230VAC High voltage -- COMPRESSOR HEATER                              |
| CN21, CN36              | Output 230VAC High voltage -- CHASSIS HEATER                                 |
| CN38                    | Output 230VAC High voltage -- REVERSE VALVE                                  |

| OUTDOOR UNIT 24V BOARD |   |
|------------------------|---|
| CODE                   | PART NAME   |
| CN11                   | Input Pin1, Pin3 (5VDC), Pin2, Pin4 (0-5VDC)  |
| CN28                   | Output Pin1-Pin4 Pulse waveform (0-12VDC), Pin5, Pin6 (12VDC) -- EEV  |
| S1                     | Input Pin1-Pin4 (5VDC), Pin5-Pin8 (0-5VDC)  |
| CN6                    | INDOOR AND OUTDOOR MODE SELECT Connection to INDOOR UNIT, OUTDOOR UNIT ONLY MODE: B'W'D'R'CY1'Y2'L Connection to 24V THERMOSTAT |
| CN9                    | Input Pin2 (0-5VDC), Pin3 (5VDC), Pin1 (0VDC) -- PRESSURE SENSOR  |
| CN7                    | Output Connection of the high voltage -- (MAIN BOARD'S CN7) "S"   |
| CN4, CN3               | Input 230VAC High voltage   |



| CODE         | PART NAME                               |
|--------------|---|
| JX1          | TERMINAL BLOCK                          |
| EEV          | ELECTRIC EXPANSIVE VALVE                |
| FM1          | OUTDOOR DC FAN                          |
| COMP         | COMPRESSOR                              |
| HEAT1, HEAT2 | CRANKCASE HEATING                       |
| CT1          | A/C CURRENT DETECTOR                    |
| H-PRO        | HIGH PRESSURE SWITCH                    |
| L-PRO        | LOW PRESSURE SWITCH                     |
| SV           | 4-WAY VALVE                             |
| TP           | EXHAUST TEMPERATURE SENSOR              |
| T3           | CONDENSER TEMPERATURE SENSOR            |
| T4           | OUTDOOR AMBIENT TEMPERATURE SENSOR      |
| HQ           | TUBE FOR SUCTION TEMPERATURE SENSOR     |
| LMG          | TUBE FOR REFRIGERANT TEMPERATURE SENSOR |

| S1 | OFF                               | ON                     |
|----|-----------------------------------|------------------------|
| 1  | INDOOR UNIT THROTTLE              | OUTDOOR UNIT THROTTLE  |
| 2  | INDOOR AND OUTDOOR UNIT ONLY MODE | OUTDOOR UNIT ONLY MODE |
| 3  | NONE                              | PRESSURE COMPENSATION  |
| 4  | NONE                              | NONE                   |

Fig. 14 —Wiring Diagram Sizes 24K-30K HH


# WIRING DIAGRAMS (CONTINUED)

| OUTDOOR UNIT MAIN CONTROL BOARD |  |
|---------------------------------|--|
| CODE                            | PART NAME  |
| CN1~CN3                         | Input:230VAC High voltage  |
| P5 P6                           | Connection to the earth  |
| P8~P7                           | Output:230VAC High voltage to 24V BOARD  |
| CN21                            | Output:Pin1( Connection of the high voltage)"S"  |
| CN17~CN18                       | Output:230VAC High voltage---REVERSING VALVE   |
| CN24~CN25                       | Output:230VAC High voltage---CRANKCASE HEATER  |
| CN19~CN20                       | Output:230VAC High voltage---CHASSIS HEATER  |
| CN8                             | Input:Pin1(0-5VDC),Pin2(5VDC)  |
| CN9                             | Input:Pin3 Pin4(5VDC),Pin2(0VDC),Pin1 Pin5(0-5VDC)   |
| CN6                             | Communication:Pin1-Pin6 Pulse waveform(0-5VDC),Pin7, Pin9(0VDC),Pin8(0-5VDC),Pin10(5VDC)--to IPM&PFC BOARD |
| CN2~CN4                         | Output:230VAC High voltage to IPM&PFC BOARD  |
| CN10                            | Input:Pin2 Pin4(0VDC),Pin1 Pin3(0-5VDC)--H/L Pressure switch   |
| CN14                            | Input:Pin1(5VDC),Pin2(0-5VDC)--COMP. TOP OLP TEMP.SENSOR   |
| CN23                            | Output:Pin1-Pin4 Pulse waveform(0-12VDC), Pin5 Pin6(12VDC) to EEV  |

| OUTDOOR UNIT IPM&PFC BOARD |  |
|----------------------------|--|
| CODE                       | PART NAME  |
| CN2~CN3                    | Input:230VAC High voltage  |
| CN9                        | Communication:Pin1-Pin2 Pulse waveform(0-5VDC),Pin7, Pin9(0VDC),Pin10(5VDC)--to outdoor main control board |
| U~V~W                      | Connect to compressor voltage among phases 0~250VAC  |
| CN8 CN5                    | Connect to DCFAN voltage among phases 0~200VAC   |

| 24V BOARD |   |
|-----------|---|
| CODE      | PART NAME   |
| CN3~CN4   | Input:230VAC High voltage   |
| CN7       | (Connection of the high voltage)"S"                               |
| CN9       | Input:Pin1(5VDC),Pin2(0-5VDC),Pin3(0VDC)--PRESSURE SENSOR         |
| CN28      | Output:Pin1-Pin4 Pulse waveform(0-12VDC), Pin5 Pin6(12VDC) to EEV |
| CN11      | Input:Pin1 Pin3(5VDC),Pin2 Pin4(0-5VDC)                           |

| CODE     | PART NAME                    |
|----------|------------------------------|
| COMP     | COMPRESSOR                   |
| CT1      | AC CURRENT DETECTOR          |
| EEV      | ELECTRONIC EXPANSION VALVE   |
| DCFAN1   | OUTDOOR DC FAN MOTOR         |
| DCFAN2   | OUTDOOR DC FAN MOTOR         |
| HEAT_D   | CHASSIS HEATER               |
| HEAT_Y   | CRANKCASE HEATER             |
| H-PRO    | HIGH PRESSURE SWITCH         |
| L-PRO    | LOW PRESSURE SWITCH          |
| SV       | REVERSING VALVE              |
| TP       | COMP. DISCHARGE TEMP. SENSOR |
| T3       | COIL TEMP. SENSOR            |
| T4       | OUTDOOR AMBIENT TEMP. SENSOR |
| HQ       | SUCTION TEMP. SENSOR         |
| LMG      | REFRIGERANT TEMP. SENSOR     |
| COMP TOP | COMP. TOP OLP TEMP. SENSOR   |

Notes:  This symbol indicates the element is optional, the actual shape shall be prevail

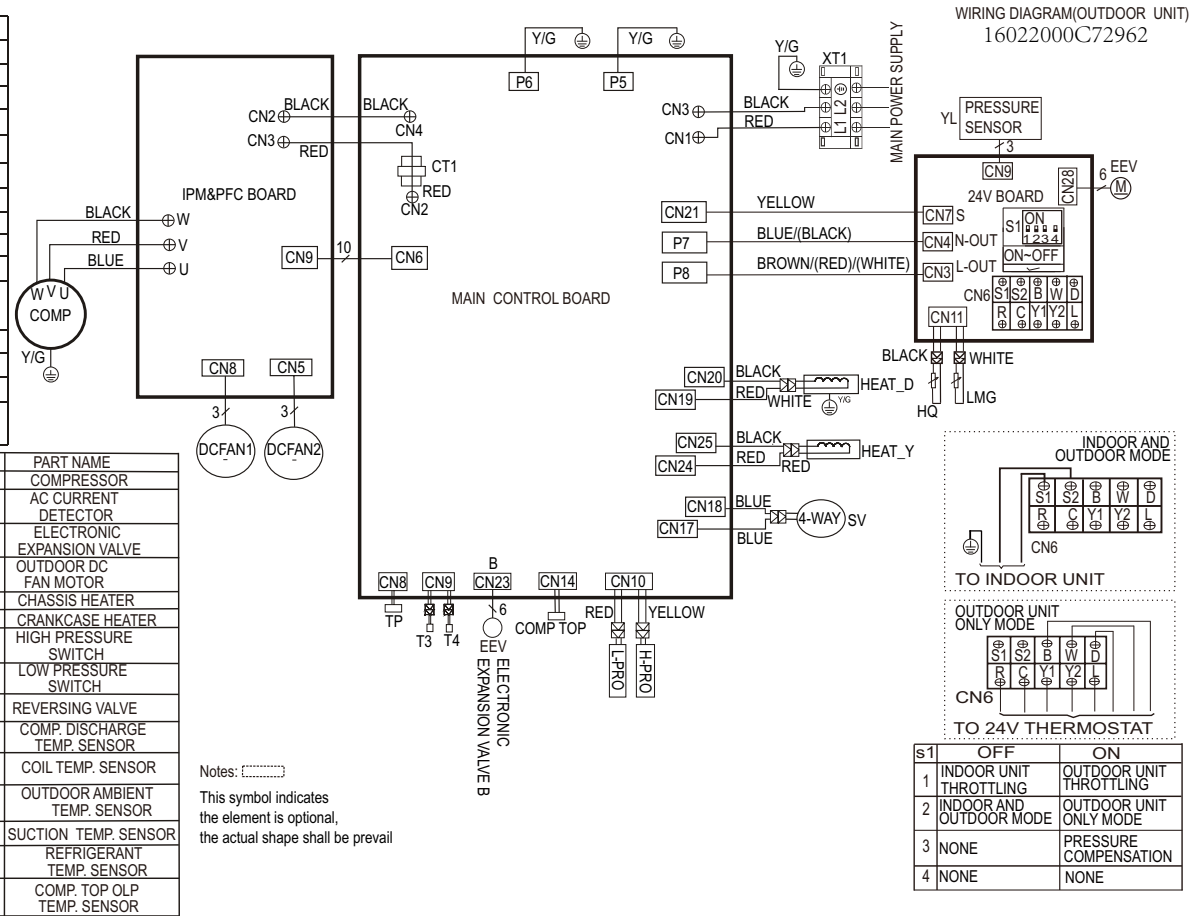


Fig. 14 —Wiring Diagram Sizes 36K-48K HH

Manufacturer reserves the right to change, at any time, specifications and designs without notice and without obligations.

# WIRING DIAGRAMS (CONTINUED)

| OUTDOOR UNIT MAIN CONTROL BOARD |  |
|---------------------------------|--|
| CODE                            | PART NAME  |
| CN1~CN3                         | Input:230VAC High voltage  |
| P5 P6                           | Connection to the earth  |
| P8~P7                           | Output:230VAC High voltage to 24V BOARD  |
| CN21                            | Output:Pin1(Connection of the high voltage)"S"   |
| CN17~CN18                       | Output:230VAC High voltage----REVERSING VALVE  |
| CN24~CN25                       | Output:230VAC High voltage----CRANKCASE HEATER   |
| CN19~CN20                       | Output:230VAC High voltage----CHASSIS HEATER   |
| CN8                             | Input:Pin1(0-5VDC),Pin2(5VDC)  |
| CN9                             | Input:Pin3 Pin4(5VDC),Pin2(0VDC),Pin1 Pin5(0-5VDC)   |
| CN6                             | Communication:Pin1-Pin6 Pulse waveform(0-5VDC),Pin7, Pin9(0VDC),Pin8(0-5VDC),Pin10(5VDC)--to IPM&PFC BOARD |
| CN2~CN4                         | Output:230VAC High voltage to IPM&PFC BOARD  |
| CN10                            | Input:Pin2 Pin4(0VDC),Pin1 Pin3(0-5VDC)--H/L Pressure switch   |
| CN14                            | Input:Pin1(5VDC),Pin2(0-5VDC)--COMP. TOP OLP TEMP.SENSOR   |
| CN23                            | Output:Pin1-Pin4 Pulse waveform(0-12VDC), Pin5 Pin6(12VDC) to EEV  |

| OUTDOOR UNIT IPM&PFC BOARD |  |
|----------------------------|--|
| CODE                       | PART NAME  |
| CN2~CN3                    | Input:230VAC High voltage  |
| CN9                        | Communication:Pin1-Pin2 Pulse waveform(0-5VDC),Pin7, Pin9(0VDC),Pin10(5VDC)--to outdoor main control board |
| U~V~W                      | Connect to compressor voltage among phases 0~250VAC  |
| CN8 CN5                    | Connect to DCFAN voltage among phases 0~200VAC   |

| 24V BOARD |   |
|-----------|---|
| CODE      | PART NAME   |
| CN3~CN4   | Input:230VAC High voltage   |
| CN7       | (Connection of the high voltage)"S"                               |
| CN9       | Input:Pin1(5VDC),Pin2(0-5VDC),Pin3(0VDC)--PRESSURE SENSOR         |
| CN28      | Output:Pin1-Pin4 Pulse waveform(0-12VDC), Pin5 Pin6(12VDC) to EEV |
| CN11      | Input:Pin1 Pin3(5VDC),Pin2 Pin4(0-5VDC)                           |

| CODE     | PART NAME                    |
|----------|------------------------------|
| COMP     | COMPRESSOR                   |
| CT1      | AC CURRENT DETECTOR          |
| EEV      | ELECTRONIC EXPANSION VALVE   |
| DCFAN1   | OUTDOOR DC FAN MOTOR         |
| DCFAN2   | OUTDOOR DC FAN MOTOR         |
| HEAT_D   | CHASSIS HEATER               |
| HEAT_Y   | CRANKCASE HEATER             |
| H-PRO    | HIGH PRESSURE SWITCH         |
| L-PRO    | LOW PRESSURE SWITCH          |
| SV       | REVERSING VALVE              |
| TP       | COMP DISCHARGE TEMP. SENSOR  |
| T3       | COIL TEMP. SENSOR            |
| T4       | OUTDOOR AMBIENT TEMP. SENSOR |
| HQ       | SUCTION TEMP. SENSOR         |
| LMG      | REFRIGERANT TEMP. SENSOR     |
| COMP TOP | COMP. TOP OLP TEMP. SENSOR   |

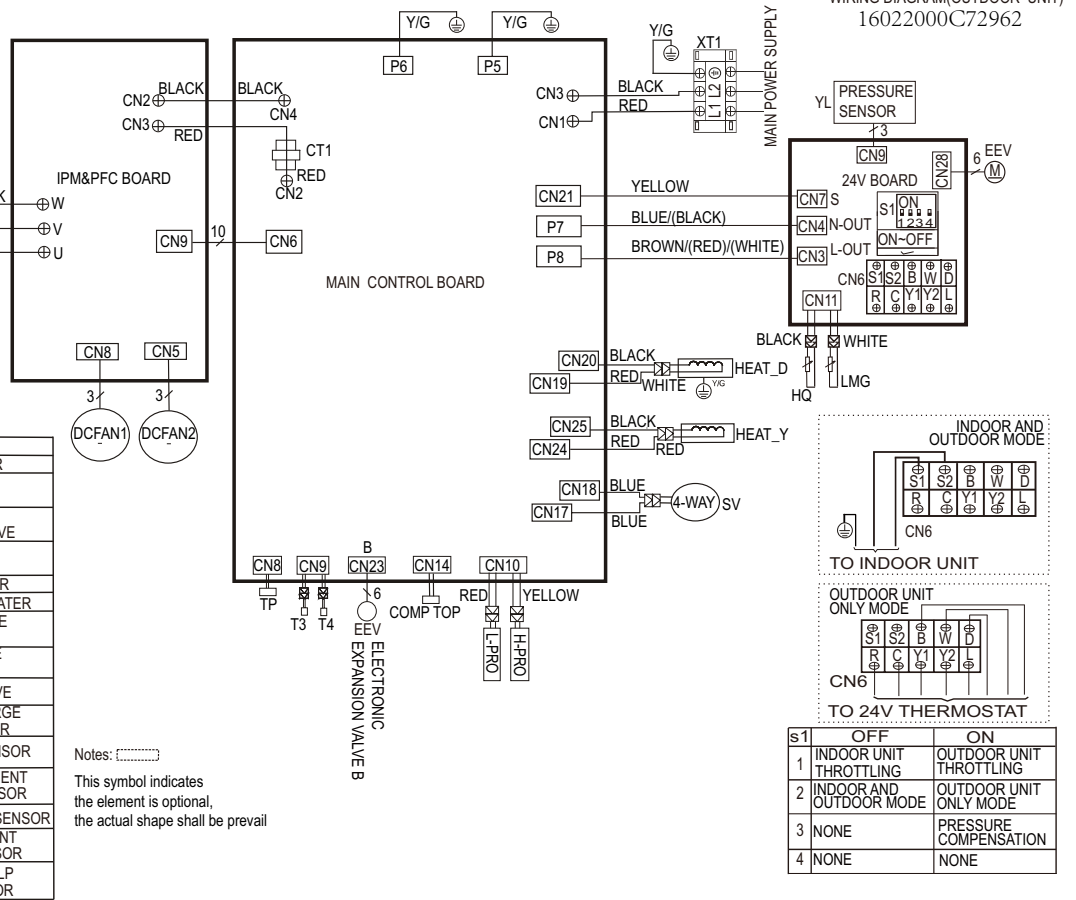


Fig. 15 —Wiring Diagram Sizes 60K HH

## Part 1 - GENERAL

### 1.01 System Description

1. Outdoor air-cooled split system compressor sections suitable for on-the-ground, rooftop, wall hung or balcony mounting. Units consist of a rotary compressor, an air-cooled coil, propeller-type draw-through outdoor fan, reversing valve (HP), accumulator (HP units), metering device(s), and a control box with integrated 24V and RS485 communication. Units discharge air horizontally as shown on the contract drawings. Units function as the outdoor component of an air-to-air heat pump system.
2. Units are to be used in a refrigeration circuit matched to residential heat pump fan coil units.

### 1.02 Agency Listings

1. Unit construction complies with ANSI/ASHRAE 15, latest revision, and with the NEC.
2. Units are evaluated in accordance with UL standard 60335-2-40.
3. Units are listed in the CEC directory.
4. Unit cabinet is capable of withstanding 500-hour salt spray test per Federal Test Standard No. 141 (method 6061).
5. Air-cooled condenser coils are leak tested at 550 psig.

### 1.03 Delivery, Storage, And Handling

Units are shipped in one piece and are stored and handled per unit manufacturer's recommendations.

### 1.04 Warranty (For Inclusion By Specifying Engineer)

## Part 2 - PRODUCTS

### 2.01 Equipment

#### A. General:

Factory assembled, single piece, air-cooled outdoor unit. Contained within the unit enclosure is all the factory wiring, piping, controls, and the compressor.

#### B. Unit Cabinet:

1. Unit cabinet is constructed of galvanized steel, bonderized and coated with a baked-enamel finish on the inside and outside.
2. Unit access panels is removable with minimal screws and provides full access to the compressor, fan, and control components.
3. The outdoor compartment is isolated and has an acoustic lining to assure quiet operation.

#### C. Fans:

1. Outdoor fans are the direct drive propeller type, and discharges air horizontally. Fans draw air through the outdoor coil.
2. Outdoor fan motors are totally enclosed, single phase motors with class E insulation and permanently lubricated ball bearings. The motor shall be protected by internal thermal overload protection.
3. The shaft has inherent corrosion resistance.
4. Fan blades are non-metallic and statically and dynamically balanced.
5. Outdoor fan openings are equipped with a PVC metal/mesh coated protection grille over the fan.

## GUIDE SPECIFICATIONS

### HORIZONTAL DISCHARGE SPLIT-SYSTEM HEAT PUMP

Size Range: 1-1/2 to 5 Ton Nominal Cooling and Heating Capacity  
Model Number: **DLCURA**

#### D. Compressor:

1. Compressor is the fully hermetic rotary type.
2. Compressor is equipped with an oil system, operating oil charge, and a motor.
3. Motor is NEMA rated class E, suitable for operation in a refrigerant atmosphere.
4. Compressor assembly is installed on rubber vibration isolators.

#### E. Outdoor Coil:

The coil is constructed of aluminum pre-coated fins mechanically bonded to seamless copper tubes, which are cleaned, dehydrated, and sealed.

#### F. Refrigeration Components:

Refrigerant circuit components include a brass external liquid line service valve with service gage port connections, a suction line service valve with a service gage connection port, service gage port connections on compressor suction and discharge lines with Schrader type fittings with brass caps, accumulator, reversing valve.

#### G. Controls and Safeties:

Operating controls and safeties are factory selected, assembled, and tested. The minimum control functions include the following:

1. Controls:
  - A time delay control sequence is provided standard through the fan coil board
  - Automatic outdoor fan motor protection.
2. Safeties:
  - System diagnostics
  - Compressor motor current and temperature overload protection
  - Outdoor fan failure protection.

#### H. Electrical Requirements:

1. Unit operates on single-phase, 60 Hz power at 208/230V for unit sizes 1.5T, 1.5T-HH, 2T, 2T-HH, 2.5T, 2.5T-HH, 3T, 3T-HH, 4T, 4T-HH, 5T, 5T-HH as specified.
2. Unit electrical power has a single point connection.
3. All power and control wiring must be installed per NEC and all local electrical codes.
4. The unit has high and low voltage terminal block connections.