



## RESIDENTIAL GAS REPLACEMENT PARTS LIST

# RTG-R-199(N,X)1 Gas Water Heater



**Models Covered:**  
**RTG-R-199N1**  
**RTG-R-199X1**

*Effective: October, 2022*  
*ECO 8542*

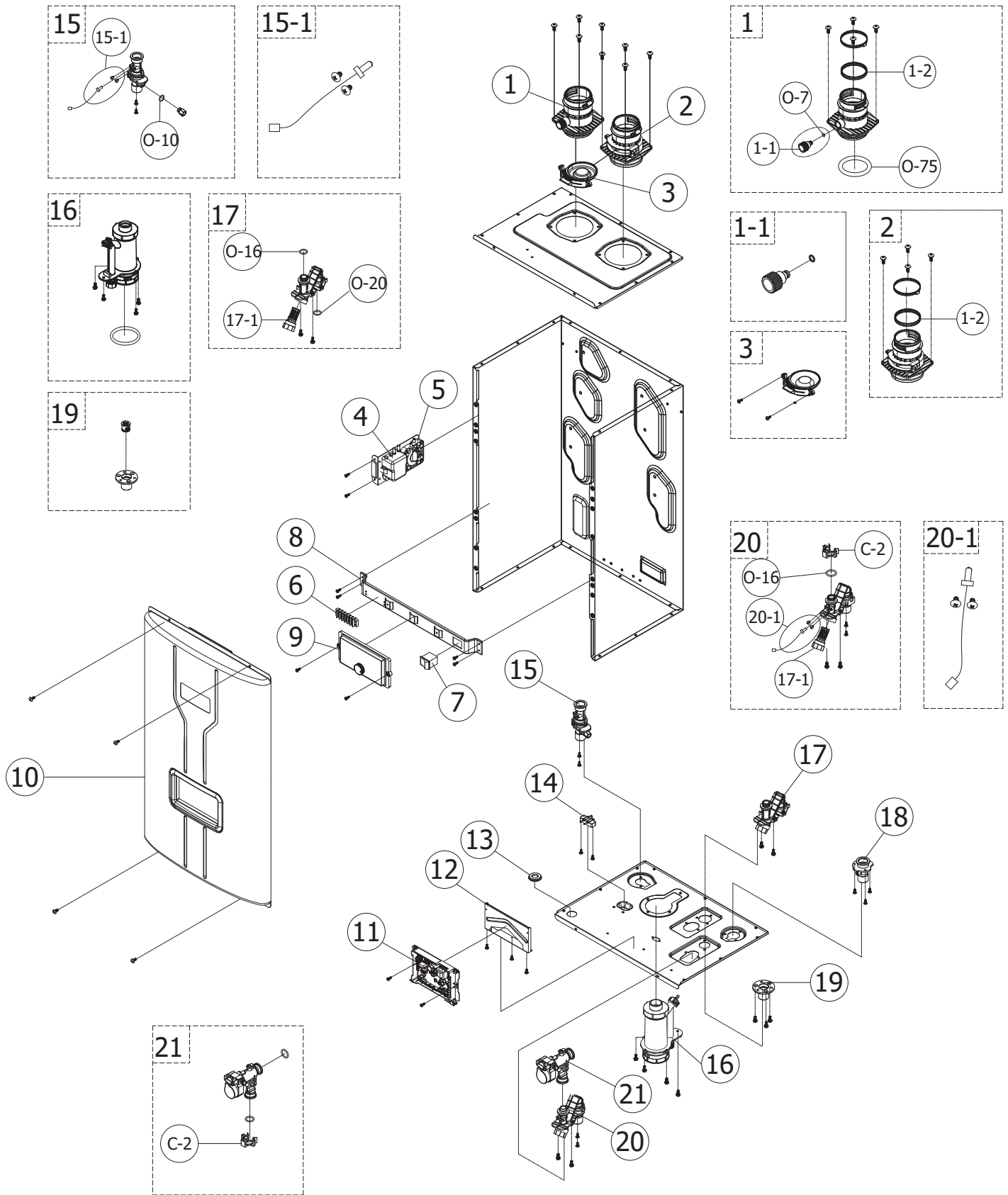
**NOTE: BOTH MODEL AND SERIAL  
NUMBERS ARE REQUIRED FOR  
ORDERING REPLACEMENT PARTS**

Dimensions and specifications  
subject to change without notice.

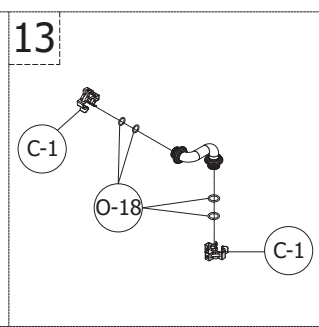
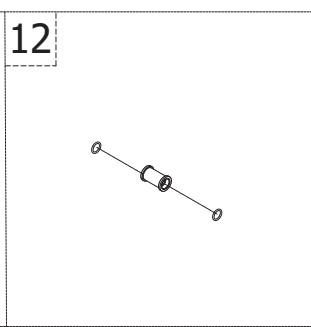
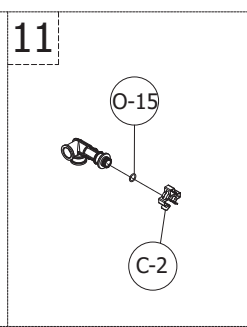
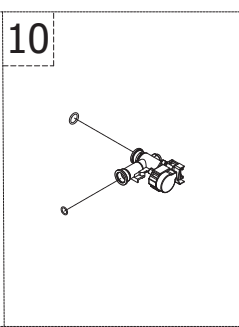
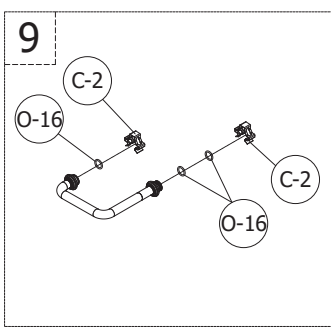
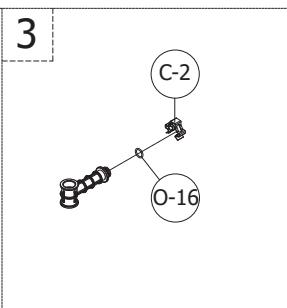
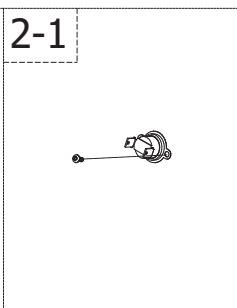
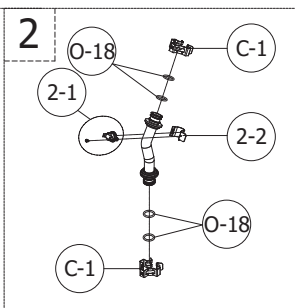
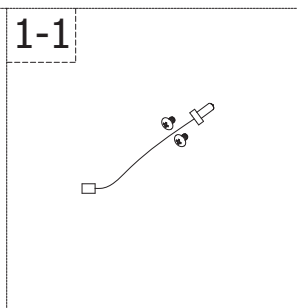
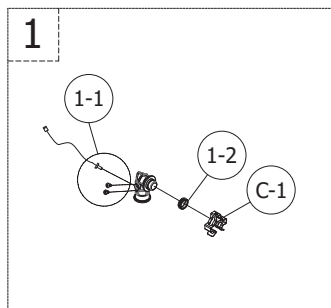
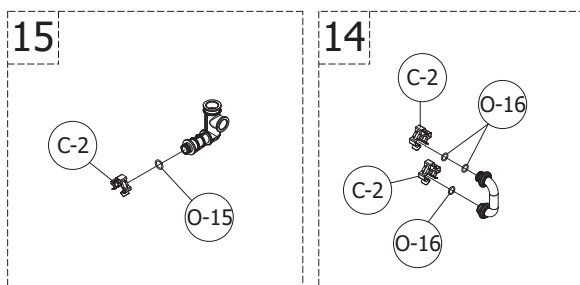
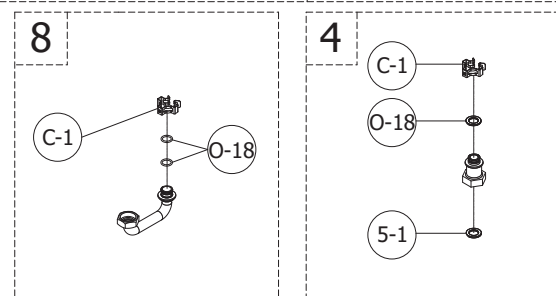
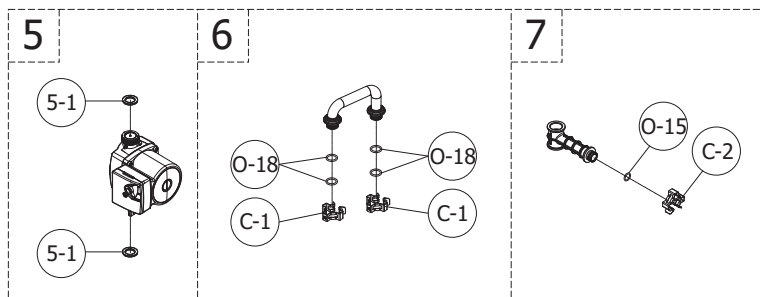
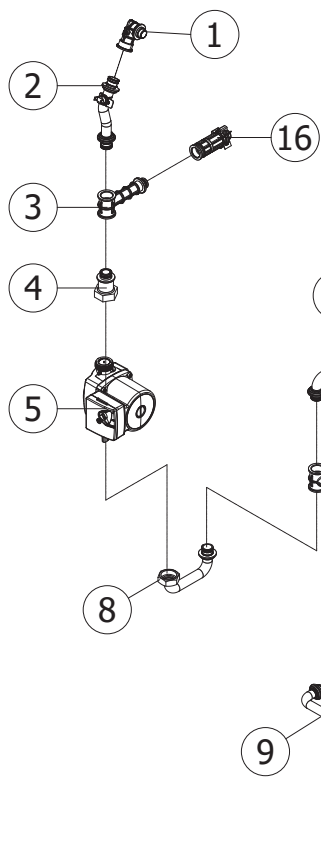


As required by the state of California Proposition 65.

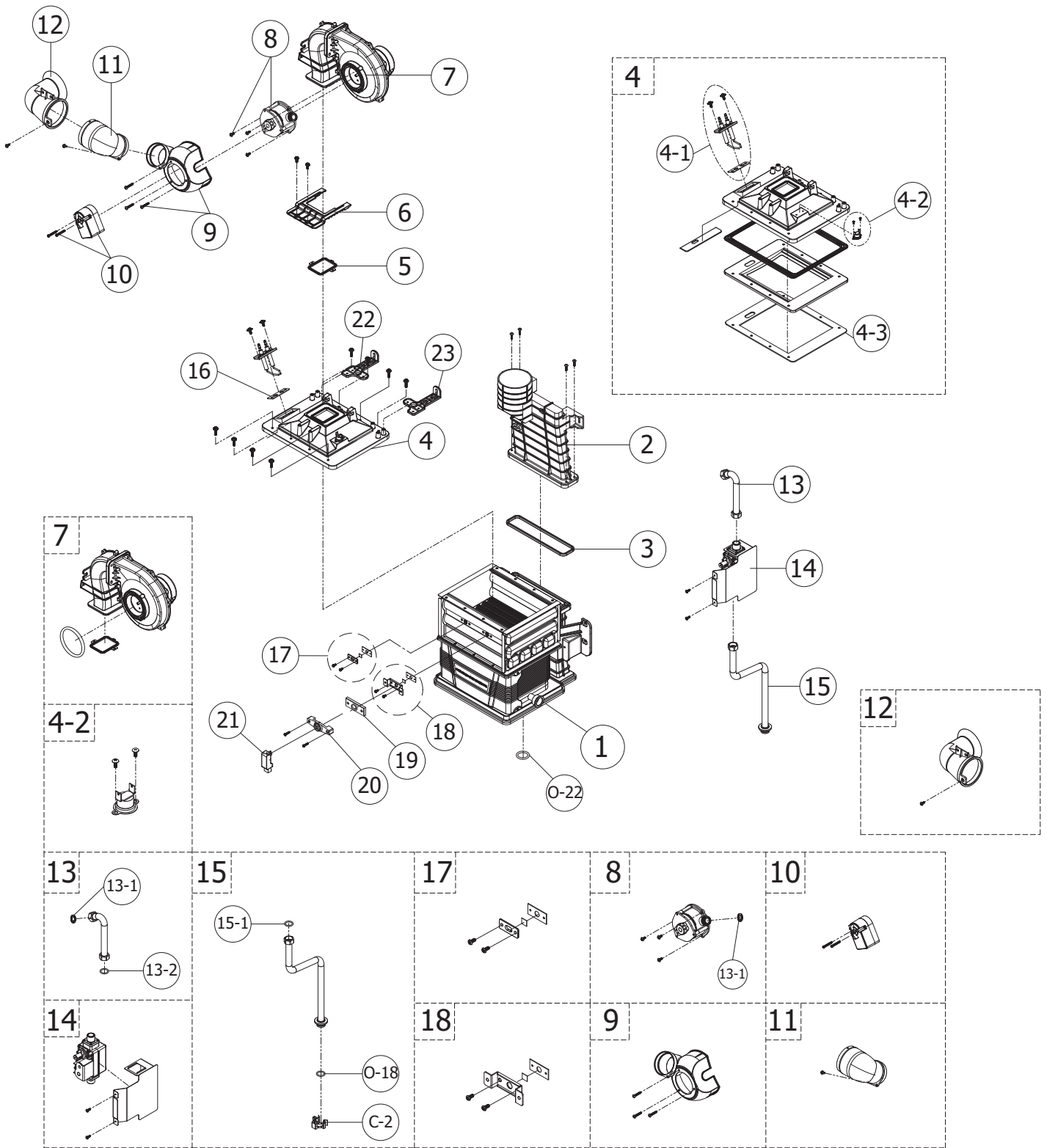
<b>IOM Ref</b>	<b>Part Number</b>	<b>Description</b>
1	ST1224	Exhaust Vent Duct ASSY'
1-1	ST1225	Exhaust Vent Cap Assy
1-2	ST1190	Exhaust and Intake Packing
O-75	ST1244	O ring P75 10 pcs
O-7	ST1242	O ring P7 10 pcs
2	ST1226	Intake Inlet Duct ASSY'
3	ST1227	Air Intake filter Assy
4	ST1006	Ignition Transformer
5	ST1144	Air Pressure Switch
6	ST1143	On-Demand Terminal Block
7	ST1019	Main Power Switch
8	ST1093	Bracket for control display
9	ST1141	Control Display (PR-952C)
10	ST1099	Front Cover ASSY'
11	ST1139	Printed Circuit Board
12	ST1163	PCB Bracket
13	ST1189	Wiring Through Way Packing
14	ST1146	Water Leak Detector
15	ST1100	DHW Supply Pipe ASSY'
15-1	ST1228	DHW Temperature Sensor Assy
O-10	ST1192	O-ring(P10A)
16	ST1101	Siphon ASSY'
17	ST1102	Recirculation Return Unit ASSY'
17-1	ST1024	Recirculation Return Filter
18	ST1007	Gas Inlet Nipple
19	ST1103	Check valve Return Connection ASSY'
20	ST1104	Water Inlet Pipe ASSY'
20-1	ST1229	Cold Water Temperature Sensor Assy
21	ST1105	Flow Control Valve ASSY'
C-2	ST1054	Star CLIP (Small)
O-16	ST1194	O-ring(P16)
O-20	ST1196	O-ring(P20)



<b>IOM Ref</b>	<b>Part Number</b>	<b>Description</b>
1	ST1106	Hot water Outlet Block ASSY'
1-1	ST1230	Hot Water Temperature Sensor Assy
1-2	ST1218	Block Packing
2	ST1107	Hot Water Outlet Pipe 1 ASSY'(Premium)
2-1	ST1231	Overheat Switch 95°C Assy
2-2	ST1167	Overheat Switch Bracket
3	ST1108	Water Chamber Block ASSY'
4	ST1109	Pump Block ASSY'
5	ST1110	Circulation Pump ASSY'
5-1	ST1246	25A Packing 10 pcs
6	ST1111	Hot Water Outlet Pipe 2 ASSY'(Premium)
7	ST1112	Mixing Block ASSY'
8	ST1113	Pump Outlet Pipe ASSY'
9	ST1124	Mixing Pipe ASSY'(Premium)
10	ST1232	Water Mixing Valve Assy
11	ST1114	Recirculation Block ASSY'
12	ST1233	Recirculation Flow Sensor Assy
13	ST1115	Cold Water Inlet Pipe ASSY'(Premium)
14	ST1116	Recirculation Pipe ASSY'
15	ST1117	Cold Water Inlet Block ASSY'(Premium)
16	ST1094	Water Chamber ASSY'
C-1	ST1166	Star CLIP (Large)
C-2	ST1054	Star CLIP (Small)
O-15	ST1193	O-ring(P15)
O-16	ST1194	O-ring(P16)
O-18	ST1195	O-ring(P18)



IOM Ref	Part Number	Description
1	ST1202	Heat Exchanger ASSY'(Premium)
2	ST1134	Exhaust Pipe Upper
3	ST1248	Exhaust Packing 5 pcs
4	ST1119	Burner ASSY'
4-1	ST1204	Ignition Rod ASS'Y
4-2	ST1234	Burner High Limit Switch ASSY'
4-3	ST1199	Burner Gasket
5	ST1191	Burner Head Packing
6	ST1136	Burner Head Bracket
7	ST1120	Blower ASSY'
8	ST1203	AGM ASSY' KIT_NG
8	ST1206	AGM ASSY' KIT_LP
9	ST1205	AGM (Cover) ASSY'
10	Included with item 8	AGM (Actuator)
11	ST1235	Silencer Elbow ASSY'
12	ST1236	Silencer Body ASSY'
13	ST1121	Gas Pipe (upper) ASSY'
13-1	ST1188	Gas Mixer Packing
13-2	ST1247	15A Packing(Green) 10 pcs
14	ST1122	Gas Valve ASSY'
15	ST1132	Gas Pipe (lower) ASSY'(Premium)
15-1	FT1645	15A Packing
16	ST1198	Ignition Rod Gasket
17	ST1095	Flame Observation ASSY'
18	ST1096	Flame Detector Sensor ASSY'
19	ST1165	Flame Detector Sensor Cover
20	ST1187	Flame Detector Sensor Bracket
21	FT1327	Flame Detector Sensor
22	ST1137	Burner Bracket (Left)
23	ST1138	Burner Bracket (Right)
C-2	ST1054	Star CLIP (Small)
O-18	ST1195	O-RING(P18)
O-22	ST1245	O ring P22 10 pcs





## United States

---

**Sales** 800-523-2931

**Technical Support** 800-334-3393

**Email** [techserv@bradfordwhite.com](mailto:techserv@bradfordwhite.com)

**Warranty** 800-531-2111

**Email** [warranty@bradfordwhite.com](mailto:warranty@bradfordwhite.com)

**Service Parts** 800-538-2020

**Email** [parts@bradfordwhite.com](mailto:parts@bradfordwhite.com)

## Canada

---

**Sales & Technical Support** 866-690-0961 905-203-0600

**Fax** 905-636-0666

**Warranty** [bwccwarranty@bradfordwhite.com](mailto:bwccwarranty@bradfordwhite.com)

**Technical Support** [bwccotech@bradfordwhite.com](mailto:bwccotech@bradfordwhite.com)

**Service Parts** [orders@bradfordwhitecanada.com](mailto:orders@bradfordwhitecanada.com)

**Orders** [ca.orders@bradfordwhite.com](mailto:ca.orders@bradfordwhite.com)

For U.S. and Canada field service,  
contact your professional installer or  
local Bradford White sales representative.

## International

---

**General Contact** [international@bradfordwhite.com](mailto:international@bradfordwhite.com)