



RESIDENTIAL GAS REPLACEMENT PARTS LIST

RTG-S-199(N,X)1 Gas Water Heater



Models Covered:
RTG-S-199N1
RTG-S-199X1

Effective: October, 2022
ECO 8542

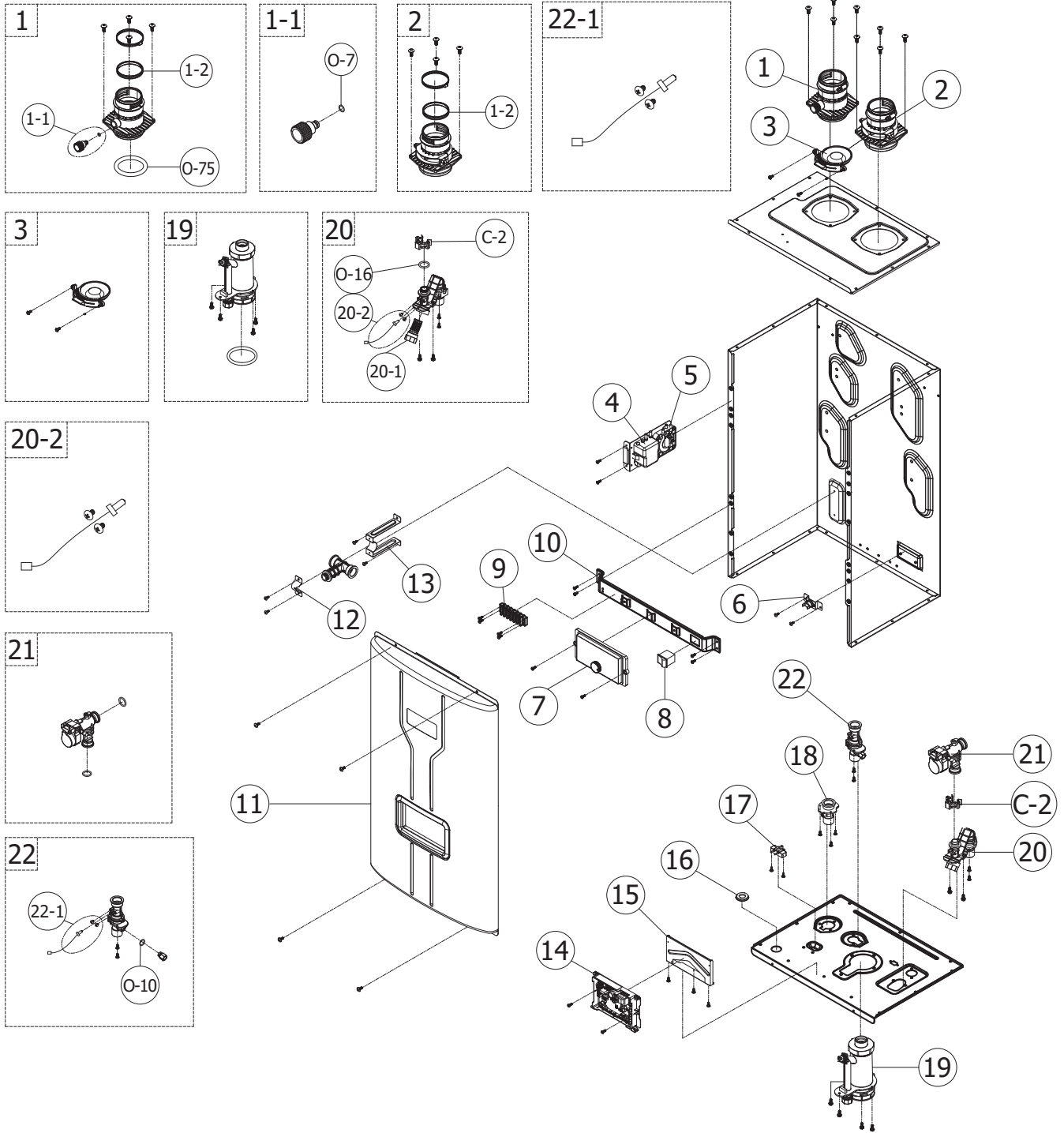
**NOTE: BOTH MODEL AND SERIAL
NUMBERS ARE REQUIRED FOR
ORDERING REPLACEMENT PARTS**

Dimensions and specifications
subject to change without notice.

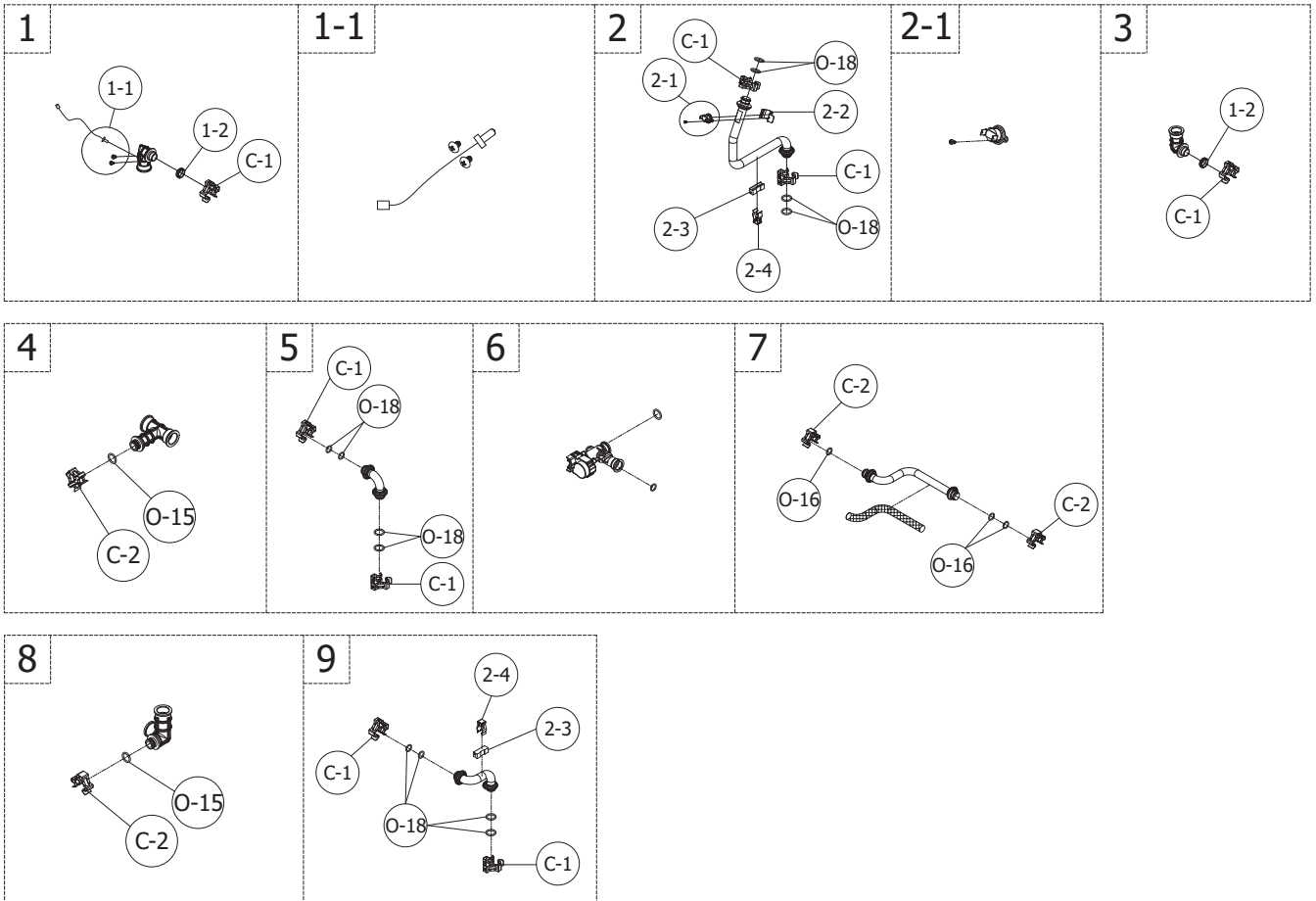
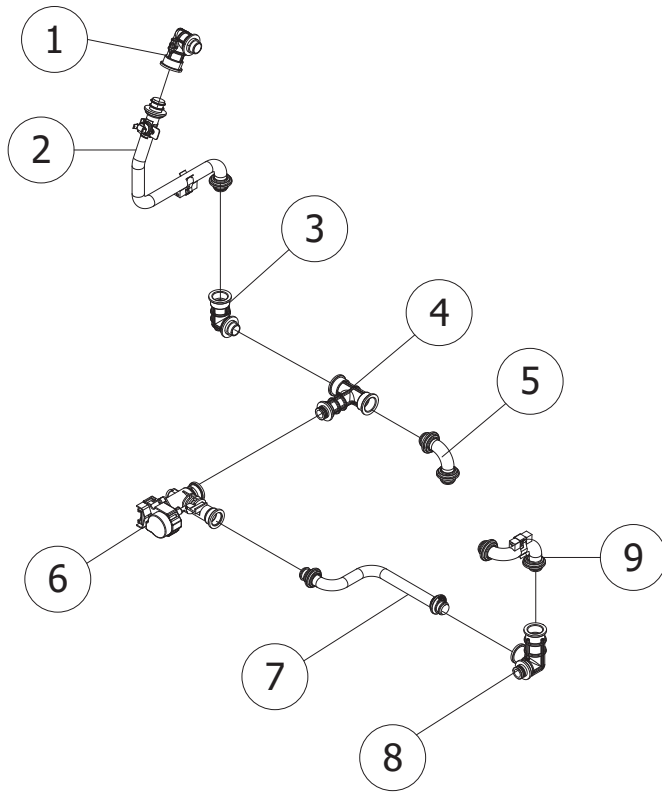


As required by the state of California Proposition 65.

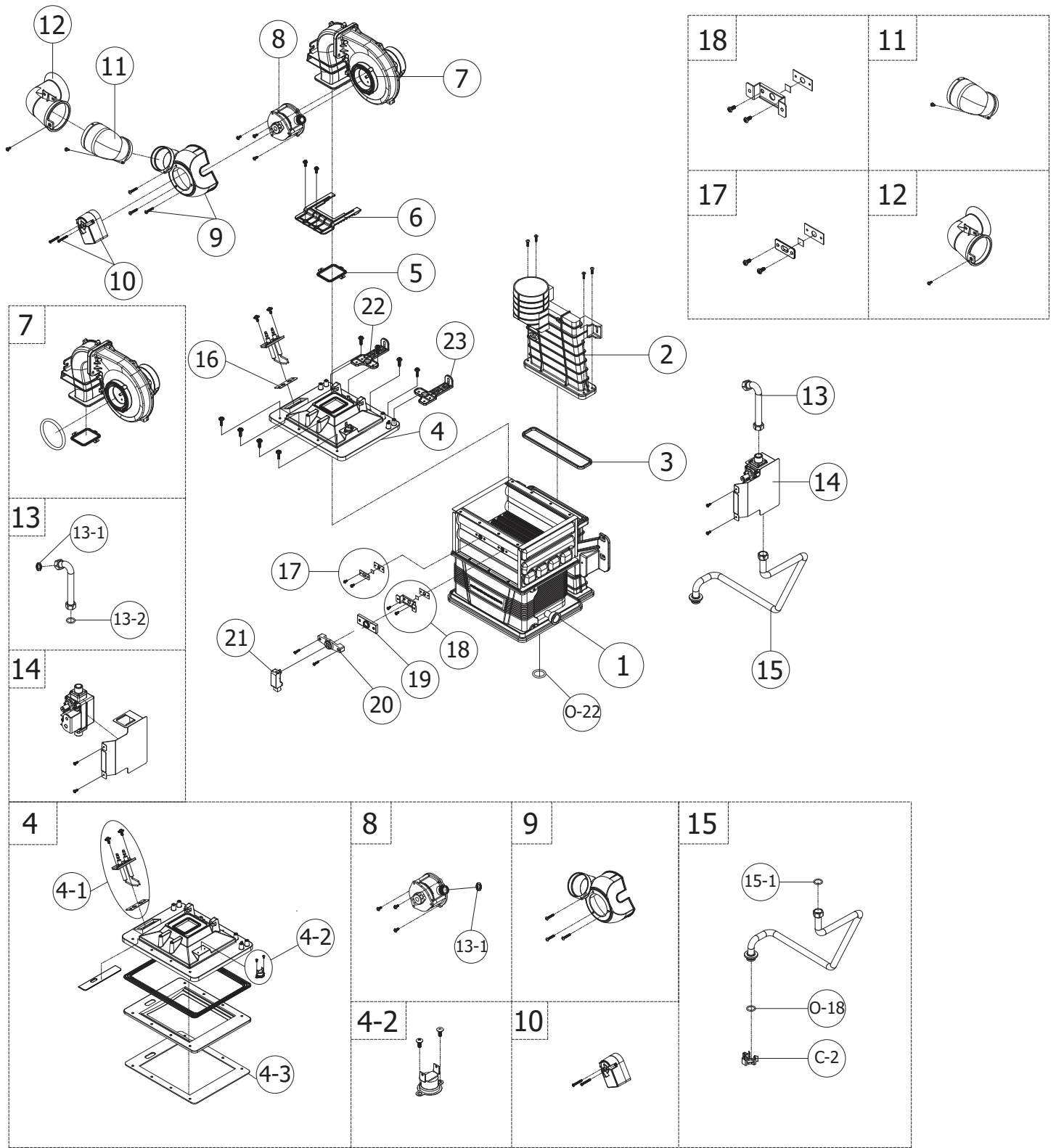
IOM Ref	Part Number	Description
1	ST1224	Exhaust Vent Duct ASSY'
1-1	ST1225	Exhaust Vent Cap Assy
1-2	ST1190	Exhaust and Intake Packing
O-75	ST1244	O ring P75 10 pcs
O-7	ST1242	O ring P7 10 pcs
2	ST1226	Intake Inlet Duct ASSY'
3	ST1227	Air Intake filter Assy
4	ST1006	Ignition Transformer
5	ST1144	Air Pressure Switch
6	ST1008	Overheat Switch 15°C (with Bracket)
7	ST1140	Control Display(PR-922C)
8	ST1019	Main Power Switch
9	ST1143	On-Demand Terminal Block
10	ST1093	Bracket for control display
11	ST1099	Front Cover ASSY'
12	ST1168	PPS Bracket_1
13	ST1169	PPS Bracket_2
14	ST1139	Printed Circuit Board
15	ST1163	PCB Bracket
16	ST1189	Wiring Through Way Packing
17	ST1146	Water Leak Detector
18	ST1007	Gas Inlet Nipple
19	ST1101	Siphon ASSY'
20	ST1104	Water Inlet Pipe ASSY'
20-1	ST1024	Water Inlet Filter
20-2	ST1229	Cold Water Temperature Sensor Assy
21	ST1105	Flow Control Valve ASSY'
22	ST1100	DHW Supply Pipe ASSY'
22-1	ST1228	DHW Temperature Sensor Assy
O-10	ST1192	O-ring(P10A)
C-2	ST1054	Star CLIP (Small)
O-16	ST1194	O-ring(P16)



IOM Ref	Part Number	Description
1	ST1106	Hot water Outlet Block ASSY'
1-1	ST1230	Hot Water Temperature Sensor Assy
1-2	ST1218	Block Packing
2	ST1125	Hot Water Outlet Pipe 1 ASSY'(Standard)
2-1	ST1231	Overheat Switch 95°C Assy
2-2	ST1167	Overheat Switch Bracket
2-3	ST1056	Ceramic Heater
2-4	ST1164	Ceramic Heater Bracket
3	ST1126	Hot water Outlet Block(_blockage) ASSY'
4	ST1127	T-Block ASSY'
5	ST1128	Hot Water Outlet Pipe 2 ASSY'(Standard)
6	ST1232	Water Mixing Valve Assy
7	ST1129	Mixing Pipe ASSY'(Standard)
8	ST1130	Cold Water Inlet Block ASSY'(Standard)
9	ST1131	Cold Water Inlet Pipe ASSY'(Standard)
C-1	ST1166	Star CLIP (Large)
C-2	ST1054	Star CLIP (Small)
O-15	ST1193	O-ring(P15)
O-16	ST1194	O-ring(P16)
O-18	ST1195	O-ring(P18)



IOM Ref	Part Number	Description
1	ST1202	Heat Exchanger ASSY'(Standard)
2	ST1134	Exhaust Pipe Upper
3	ST1248	Exhaust Packing 5 pcs
4	ST1119	Burner ASSY'
4-1	ST1204	Ignition Rod ASS'Y
4-2	ST1234	Burner High Limit Switch ASSY'
4-3	ST1199	Burner Gasket
5	ST1191	Burner Head Packing
6	ST1136	Burner Head Bracket
7	ST1120	Blower ASSY'
8	ST1203	AGM ASSY' KIT_NG
8	ST1206	AGM ASSY' KIT_LP
9	ST1205	AGM (Cover) ASSY'
10	Included with item 8	AGM (Actuator)
11	ST1235	Silencer Elbow ASSY'
12	ST1236	Silencer Body ASSY'
13	ST1121	Gas Pipe (upper) ASSY'
13-1	ST1188	Gas Mixer Packing
13-2	ST1247	15A Packing(Green) 10 pcs
14	ST1122	Gas Valve ASSY'
15	ST1132	Gas Pipe (lower) ASSY'(Standard)
15-1	FT1645	15A Packing
16	ST1198	Ignition Rod Gasket
17	ST1095	Flame Observation ASSY'
18	ST1096	Flame Detector Sensor ASSY'
19	ST1165	Flame Detector Sensor Cover
20	ST1187	Flame Detector Sensor Bracket
21	FT1327	Flame Detector Sensor
22	ST1137	Burner Bracket (Left)
23	ST1138	Burner Bracket (Right)
C-2	ST1054	Star CLIP (Small)
O-18	ST1195	O-RING(P18)
O-22	ST1245	O ring P22 10 pcs





United States

Sales 800-523-2931

Technical Support 800-334-3393

Email techserv@bradfordwhite.com

Warranty 800-531-2111

Email warranty@bradfordwhite.com

Service Parts 800-538-2020

Email parts@bradfordwhite.com

Canada

Sales & Technical Support 866-690-0961 905-203-0600

Fax 905-636-0666

Warranty bwccwarranty@bradfordwhite.com

Technical Support bwccotech@bradfordwhite.com

Service Parts orders@bradfordwhitecanada.com

Orders ca.orders@bradfordwhite.com

For U.S. and Canada field service,
contact your professional installer or
local Bradford White sales representative.

International

General Contact international@bradfordwhite.com