

# BECAUSE PEOPLE HAPPEN

## Thank you for buying American Standard products.

We're so grateful you did, and you will be too. Because let's face it, fans get rowdy; shoppers and travelers are impatient; and schoolchildren are, well, unpredictable. How do we know? For almost 150 years we've gotten to know the high-traffic bathroom better than anyone else out there. We understand that even the most talented plumbers have no control over what happens day in and day out, and that our toilets, urinals, sinks and faucets need to stand up to whatever comes their way.

That's why we appreciate your stories and ideas; they help us innovate with products that make your life easier.

### NOTE TO INSTALLER: Please give this manual to the customer after installation.

To learn more about American Standard Selectronic® Products visit our website at: [www.americanstandard-us.com](http://www.americanstandard-us.com) or e-mail us at: [sensor@lixil.com](mailto:sensor@lixil.com)

**For Parts, Service, Warranty or other Assistance,**  
please call (844) CRT-TEAM / (844) 278-8326 (In Canada: 1-800-387-0369)  
(In Toronto Area only: 1-905-306-1093)



Or, visit [americanstandard-us.com/bathroom](http://americanstandard-us.com/bathroom) to watch video, view/download installation manuals or learn more about your product.

## Have a question or need help on install?

For questions or help on installation call us at **855-815-0004**.

# OWNERS MANUAL

## Diaphragm Flushometer, Exposed DC Urinal/Toilet 6245XXX / 6247XXX

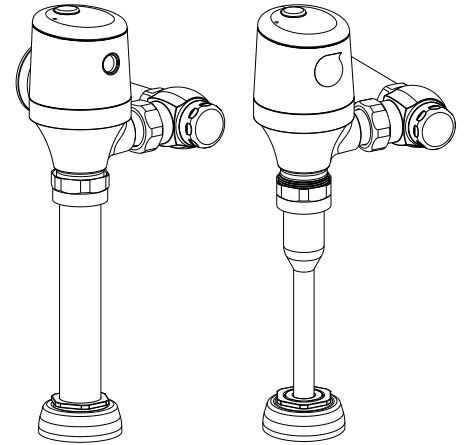
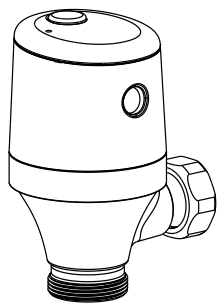


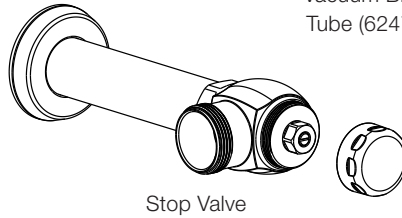
Image shown may vary from product purchased.

### INSIDE THE BOX

Installation steps will indicate which tools should be used with associated letter

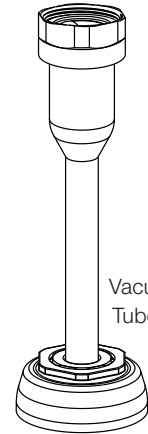
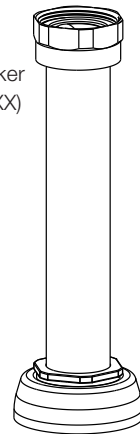


Flush Valve



Stop Valve

Vacuum Breaker Tube (6247XXX)



Vacuum Breaker Tube (6245XXX)

### RECOMMENDED TOOLS

Installation steps will indicate which tools should be used with associated letter



Teflon Tape

**A**



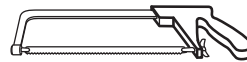
Flat Blade Screwdriver

**B**



Adjustable Wrench

**C**



Hacksaw

**D**



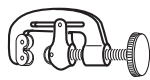
Rubber Wrench

**J**



Tape Measure

**E**



Tubing Cutter

**F**



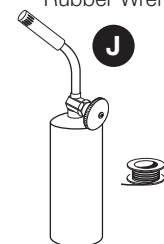
File

**G**



2.5 & 1.5 mm Hex Wrench

**H**



Solder & Torch

**I**



#### Exposed Toilet/Urinal Flushometer

**CAUTION:** Use only American Standard supplied transformers and cable sets. Using non-AS supplied cables, or cutting, splicing or modifying any components will void the warranty.

**Product to be used with WaterSense Certified Fixture with the same rated flush volume.**

## PRIOR TO INSTALLATION

**Note:** *Prior to installing the Selectronic™ Flush Valve the following items must be installed.*

1. Urinal/Toilet
2. Drain line
3. Water supply line

### **IMPORTANT:**

- **All plumbing and electrical wiring should be installed in accordance with applicable codes and regulations.**
- The use of water hammer arrestors is strongly recommended for commercial applications. All piping behind the walls should be properly secured and fastened.
- Water supply lines must be sized to provide an adequate volume of water for each fixture.
- Flush all water lines prior to operation. Dirt and debris can cause flush valve to run continuously.
- **With the exception of Stop Valve Inlet, DO NOT use pipe sealant or plumbing grease on any valve component or coupling!**
- Protect the chrome or special finish on the Flushometer. DO NOT USE toothed tools on finished surfaces to install or service these valves. Also see “Care and Cleaning” section of this manual.
- This product contains mechanical and/or electrical components that are subject to normal wear. These components should be checked on a regular basis and replaced as needed to maintain the valve’s performance.

**Consult fixture manufacturer for minimum pressure requirements. Most High Efficiency water closets require a minimum flowing pressure of 25 psi (172 kPa). Many building codes and the ASME A112.19.2 fixture standard list Maximum static water pressure as 80 PSI (552 kPa).**

# FLUSH VALVE INSTALLATION

1

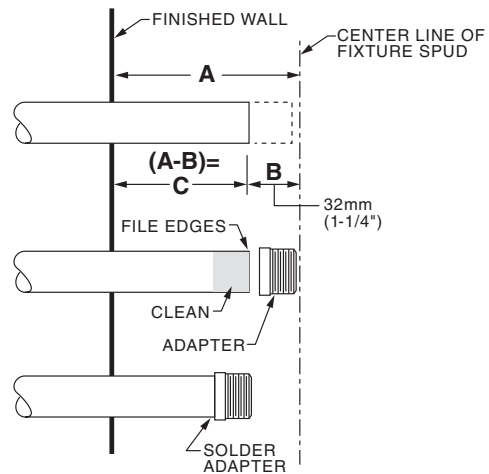
## INSTALL SWEAT ADAPTER



**Turn off hot and cold water supplies before beginning.**

**Note: Install Optional Sweat Adapter (Supplied) for copper pipe supply line.**

1. Measure the distance (A) from the finished wall to the center of the inlet spud on the fixture.
2. Cut the supply pipe 1-1/4" (A-B=C) shorter than the measurement taken in Step 1. File any rough edges off the end of the supply pipe.
3. Clean the end of the supply pipe. Push the threaded Adapter until it is seated against the internal stop. Sweat the Adapter to the pipe.



**F G I D E**

2

## INSTALL COVER TUBE, WALL ESCUTCHEON AND STOP VALVE

1. Measure from finished wall to first thread of Adapter or threaded supply pipe (dimension "X"). Cut COVER TUBE (1) to length (X). Apply Teflon Tape to the threaded end of the Adapter or supply pipe.
2. Push WALL ESCUTCHEON (2) onto the COVER TUBE (1). Slide both onto the SUPPLY PIPE (3).
3. Push the COVER TUBE (1) in to expose the threads of the supply pipe. With a wrench thread the STOP VALVE (4) onto the SUPPLY PIPE (3). Align and tighten.
4. Pull COVER TUBE (1) against STOP VALVE (4) and push WALL ESCUTCHEON (2) against finished wall.

Fig. 4a

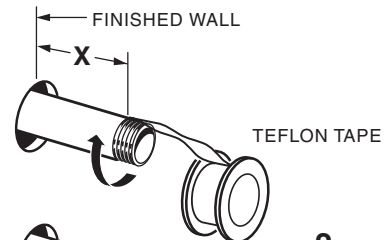


Fig. 4b

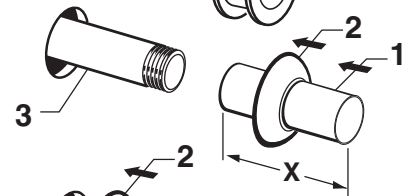


Fig. 4c



**A C D F**

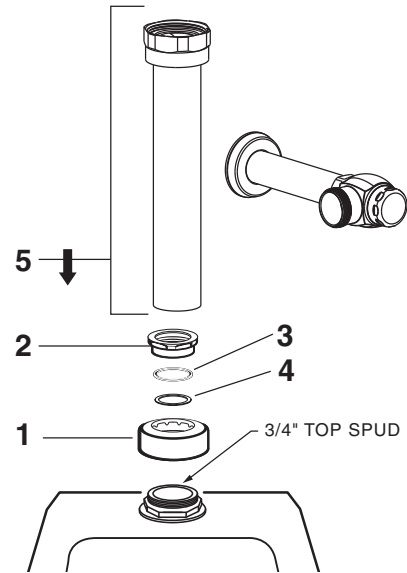


### 3

#### INSTALL VACUUM BREAKER TUBE

1. Place the SPUD FLANGE (1) over the spud on the Fixture.
2. Place FRICTION WASHER (3) and SEAL WASHER (4) inside SPUD COUPLING NUT (2) and thread onto Spud. Do not tighten fully.
3. Insert the VACUUM BREAKER TUBE (5) into the SPUD COUPLING NUT (2) and push it down.

**Note: If cutting VACUUM BREAKER TUBE (5) to size, note that Critical Line (C/L) on Vacuum Breaker must typically be 6" (152mm) above fixture. Consult Code for details.**

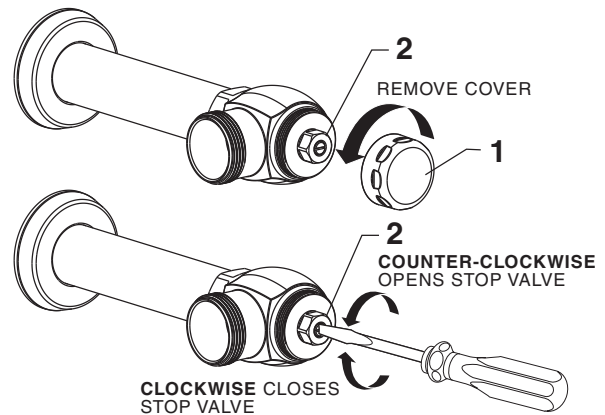


C

### 4

#### FLUSH OUT SUPPLY LINES

1. Remove STOP VALVE COVER (1) from STOP VALVE (2).
2. Open STOP VALVE (2) with a flat blade screwdriver.
3. Turn on water supply to flush line of any debris or sediment.
4. Close STOP VALVE (2) and replace STOP VALVE COVER (1).



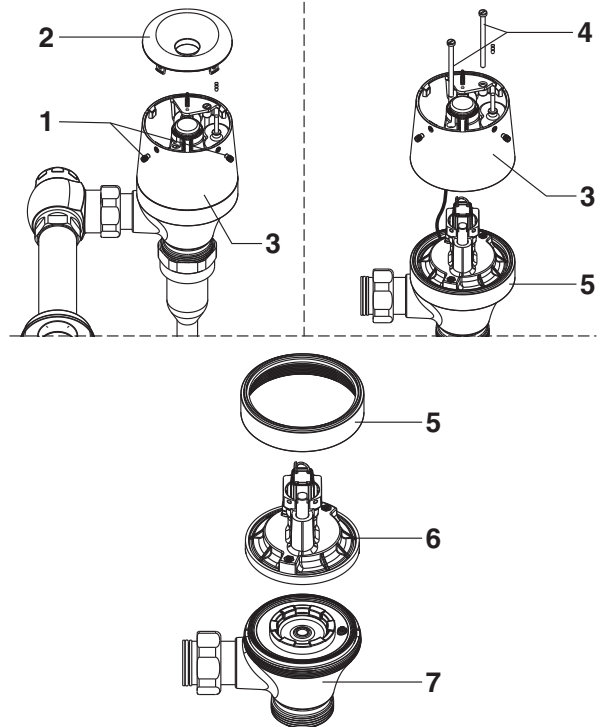
B

## 5

### LEFT OR RIGHT HAND INSTALLATION

The unit is shipped with adjustable tailpiece on the right side. If needed, the orientation can be modified by following the steps below.

1. Unthread the two SET SCREWS (1).
2. Use a flathead screwdriver to pry CAP (2) off the BODY SHELL (3).
3. Disconnect the battery wire coupling and solenoid wire coupling.
4. Unthread the two SCREWS (4).
5. Lift BODY SHELL (3) off the BODY RING (5).
6. Unthread BODY RING (5).
7. Remove MANIFOLD (6).
8. Rotate BODY (7) 180 degrees and reverse the above steps to complete the Right/Left swap.



**B H J**

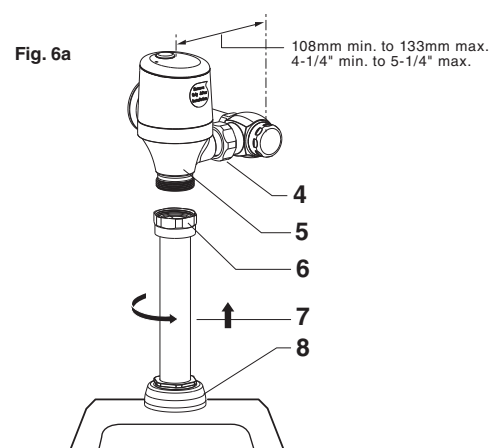
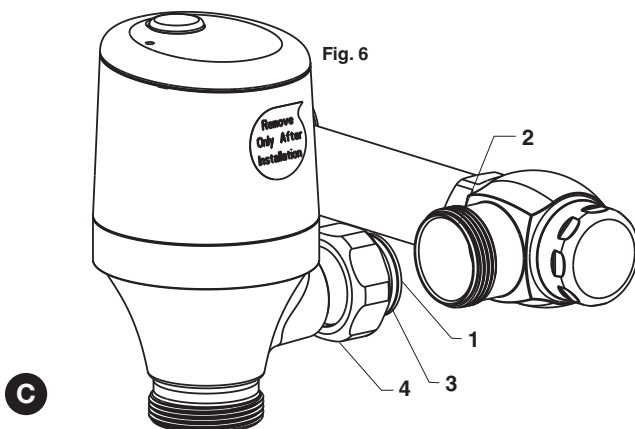
## 6

### INSTALL FLUSH VALVE

1. Insert ADJUSTABLE TAILPIECE (1) into the STOP VALVE (2). Lubricate the O-RING (3) with water if necessary. Lightly tighten COUPLING NUT (4). **Fig. 6.**

**Important: Do not use lubricants (other than water) or any type of thread sealing paste or tape.**

2. Align the FLUSH VALVE BODY (5) directly above the VACUUM BREAKER TUBE (7) and VACUUM BREAKER COUPLING NUT (6). **Fig. 6a.**
3. Pull the VACUUM BREAKER TUBE (7) up to meet the threaded FLUSH VALVE BODY (5), hand tighten the VACUUM BREAKER COUPLING NUT (6). Align all components of the flush valve assembly. **Fig. 6a.**
4. Lightly tighten the COUPLING NUT (4) connection first, then the VACUUM BREAKER COUPLING NUT (6) and finally the SPUD COUPLING NUT (8). Once alligned correctly, use a wrench to tighten couplings to make water tight connections. **Fig. 6a.**



**C**

# MAINTENANCE

1

## ADJUST STOP VALVE

**IMPORTANT: TO AVOID OVERFLOWING, THE STOP VALVE (3) MUST NEVER BE OPENED TO THE POINT WHERE THE FLOW FROM THE VALVE EXCEEDS THE FLOW CAPACITY OF THE FIXTURE.**

1. After installation is complete, peel off the PROTECTIVE FILM (1) from the sensor. Standing to one side, block the sensor with your hand for 10 seconds. Remove your hand and listen for audible "click" from within the valve.
2. Remove STOP VALVE COVER (2) from STOP VALVE (3). Turn on water supply 1/4 turn to 1/2 turn (CCW) and test for leaks.

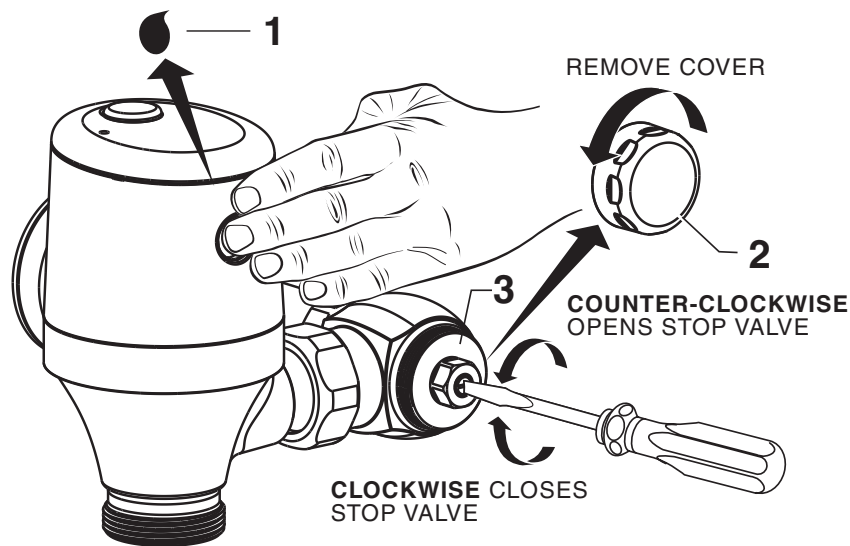
**Note: Unit may flush for approximately 5 to 10 sec. when water is first turned on. If flow persists, turn water off and repeat step #1 above.**

3. Actuate the FLUSH VALVE:

A) Cover sensor with hand for 10 seconds. **NOTE: Stand outside of sensor detection area.**

B) Remove hand from in front of the sensor; unit will flush in approximately 3 seconds.

4. Adjust STOP VALVE (3) after each flush until the stated flush volume is achieved, no splashing occurs and the fixture is properly cleansed.
5. When adjustment is complete, replace STOP VALVE COVER (2) and tighten to ensure vandal-resistance.



B C

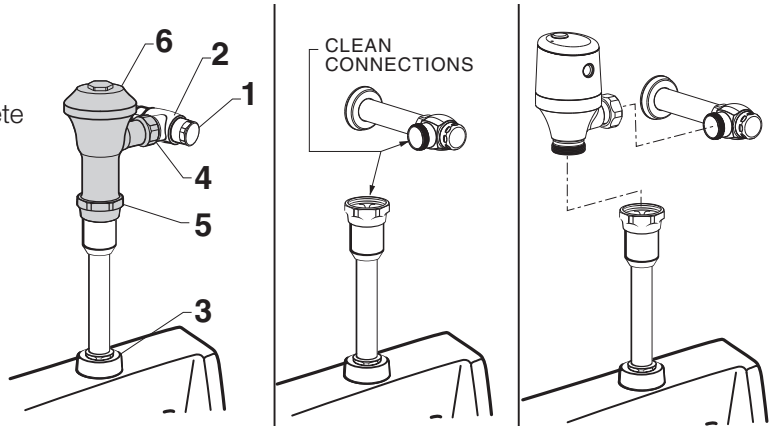
## 2

### RETROFITTING WITH SELECTRONIC VALVE

(Replaces Industry Standard Manual and Electronic Valves)

**Note:** *In most Retrofits the wall escutcheon, stop valve, cover tube and vacuum breaker do not have to be replaced. If these items do need replacement they must be purchased separately or order the complete flush valve assembly from American Standard.*

1. Remove STOP VALVE COVER (1) from STOP VALVE (2).
2. Turn water supply off.
3. Loosen SPUD COUPLING NUT (3). Unthread COUPLING NUT (4) and VACUUM BREAKER COUPLING NUT (5). Remove FLUSH VALVE (6).
4. Clean all threaded connections before installing the new flush valve.
5. Refer to **Sections 4, 5 and 6** to complete the retrofit installation.



C

## 3

### REPLACE BATTERY

1. Unthread the two SET SCREWS (1). **Fig. 11.**
2. Use a flathead screwdriver to pry CAP (2) off the flush valve cover to expose BATTERY HOLDER (5). **Fig. 11.**
3. Remove old BATTERY from BATTERY HOLDER (5). Install the new BATTERY (7) making sure the shape of the BATTERY follows the shape of the BATTERY HOLDER (5). **Fig. 11a.**
4. Insert BATTERY HOLDER (6) into flush valve COVER (3). **Fig. 11a.**
5. Connect BATTERY HOLDER (5) to SENSOR (4) and reverse the above steps to assemble flush valve. **Fig. 11a.**

**Note:** When the battery is replaced, the sensor light will flash 10 times

Fig. 11

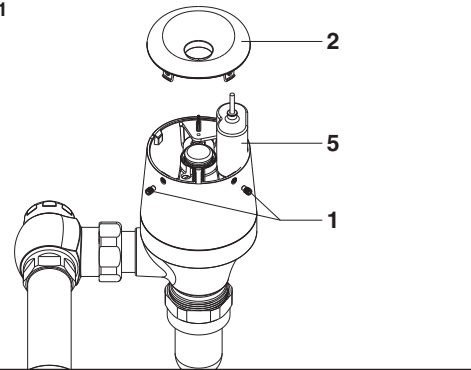
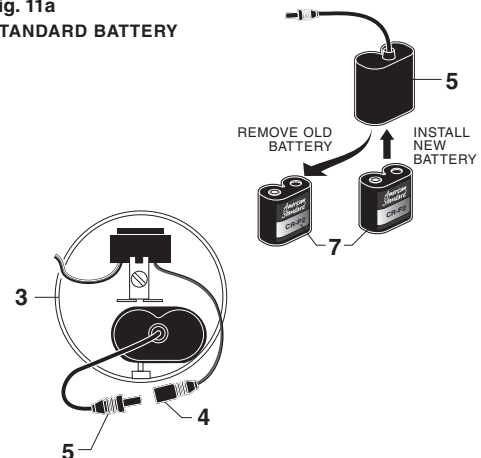


Fig. 11a  
STANDARD BATTERY

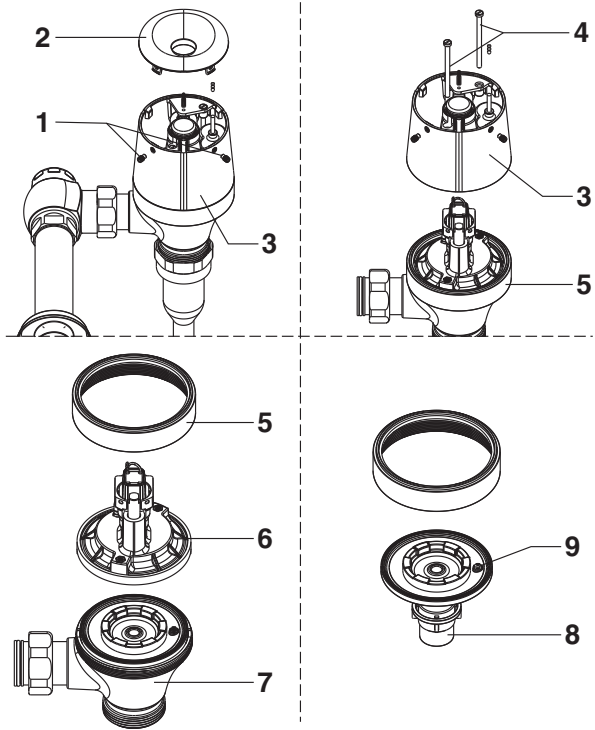


B H

## 4

## CLEANING DIAPHRAGM

1. Unthread the two SET SCREWS (1).
2. Use a flathead screwdriver to pry CAP (2) off the BODY SHELL (3).
3. Disconnect the battery wire coupling and solenoid wire coupling.
4. Unthread the two SCREWS (4).
5. Lift BODY SHELL (3) off the BODY RING (5).
6. Unthread BODY RING (5).
7. Remove MANIFOLD (6).
8. Remove DIAPHRAGM (8) and clean. Clean around the CHANNEL (9).



**C J**

# WARRANTY

## AS America, Inc. Faucet Limited Lifetime Function and Finish Warranty

FOR NON-COMMERCIAL OWNER INSTALLATIONS: AS America, Inc. ("American Standard®") warrants this product to be free from defects in materials or workmanship for as long as the original non-commercial owner owns the product. Proof of purchase (your original sales receipt) from the original non-commercial owner must be made available to American Standard for all warranty claims. This warranty is non-transferable to subsequent purchasers or owners. The sole exception to the non-transferability of this warranty is that if this product is purchased by a plumber, contractor or other service provider, this warranty extends to the first property owner on whose behalf the product was purchased for installation. It does not apply in the event of product damage due to the use of other than genuine American Standard replacement parts, installation error, abuse, misuse or improper care and maintenance (whether performed by a plumber, contractor, service provider or member of the purchaser's household). The warranty excludes damage due to aggressive air or water conditions, or harsh or abrasive cleaners and/or materials. This warranty does not cover deterioration through normal wear and tear and the expense of normal maintenance.

FOR COMMERCIAL OWNER INSTALLATIONS: For all commercial owner installations, the warranty period is five years from date of purchase and, except for duration, all other warranty terms apply. A "commercial owner installation" includes use of the product in apartments and other rental units, non-residential facilities, hotels, commercial businesses and/or other public accommodations.

For both commercial and non-commercial owner installations, standard batteries are not included in the warranty. The warranty period for the PWRX® Long-Life Power Pack is 5 years from initial purchase.

FOR ELECTRONIC FAUCETS, VALVES AND CONTROLS: American Standard warrants its electronic faucets, valves and controls to be free from manufacturing defects in material and workmanship under normal use for five (5) years from Initial purchase by the original non-commercial owner.

American Standard will provide free of charge, at its sole option, replacement part(s) or product (or if no longer available, a comparable product) to replace those which have proven defective in materials or workmanship. For this warranty to become effective, the warranty registration process must be completed via the internet or telephone per the warranty registration instructions.

Because American Standard cannot control the quality of products sold by unauthorized sellers, this warranty applies only to American Standard products which were purchased from American Standard or an American Standard authorized seller, unless otherwise prohibited by law. American Standard reserves the right to reject warranty claims from purchasers for products purchased from unauthorized sellers, including unauthorized Internet sites.

This warranty does not cover labor charges incurred and/or damage sustained in installation, repair or replacement, nor incidental or consequential damages. This warranty is effective for all faucets sold after July 1, 2020.

AMERICAN STANDARD HEREBY EXCLUDES SPECIAL, INCIDENTAL AND CONSEQUENTIAL DAMAGES FOR ANY BREACH OF ANY EXPRESS OR IMPLIED WARRANTY APPLICABLE TO THIS PRODUCT. Some States do not allow the exclusion or limitation of incidental or consequential damages, so this limitation or exclusion may not apply to you. ANY IMPLIED WARRANTIES, INCLUDING THOSE OF MERCHANTABILITY OR FITNESS FOR AN INTENDED PURPOSE, ARE LIMITED IN DURATION TO THE DURATION OF THIS WARRANTY. Some States do not allow limitations on how long an implied warranty lasts, so this limitation may not apply to you.

This warranty gives you specific legal rights, and you may also have other rights which vary from State to State.

### UNITED STATES

American Standard Brands  
30 Knightsbridge Rd Suite 301,  
Piscataway, NJ 08854  
Attention: Director of Customer Care  
For residents of the United States,  
warrantyinformation may also be obtained  
by calling the following toll free number:  
(800) 442-1902  
[www.americanstandard.com](http://www.americanstandard.com)

### CANADA

LIXIL Canada, Inc.  
5900 Avebury Rd.  
Mississauga, Ontario  
Canada L5R 3M3  
Toll Free: (800) 387-0369  
[www.americanstandard.ca](http://www.americanstandard.ca)

### MEXICO

American Standard B&K Mexico  
S. de R.L. de C.V.  
Via Morelos #330  
Col. Santa Clara  
Ecatepec 55540 Edo. Mexico  
Toll Free: 01-800-839-1200  
[www.americanstandard.com.mx](http://www.americanstandard.com.mx)

### PLEASE COMPLETE AMERICAN STANDARD WARRANTY REGISTRATION PROCESS AND SAVE THIS WARRANTY INFORMATION

**IMPORTANT:** Registration of the toilet must be completed for this warranty to become effective. Your registration will make it easier to contact you in the event of a product recall.\*

**INSTRUCTIONS:** Register your flush valve at [www.americanstandard.com](http://www.americanstandard.com). Please save your proof of purchase (sale receipt).

If you need assistance or do not have access to our website, please contact American Standard Customer Care at: (800) 442-1902. An American Standard representative will assist in completing the warranty registration.

\*In California, your warranty rights remain intact even if you do not complete the registration process.

**THIS WARRANTY IS NOT TRANSFERABLE FROM ORIGINAL CONSUMER PURCHASER.**

*American Standard*

# TELL US WHAT YOU THINK!

★ Please leave us a product review or story at **[americanstandard.com/reviews](https://americanstandard.com/reviews)**



## Would recommend this product

Over 100 of these toilets installed. 207960537

I work for Paramount Picture Studios in the plumbing department. We have been using these toilets for the past 4+ years, swapping out older 1.6GPF or higher use toilets to this Champion Pro model. Even with the heavy use, these have stood up to the test and have performed great.

Register your warranty and sign up for an idea-filled newsletter at **[americanstandard.com/warranty](https://americanstandard.com/warranty)**.

Find installation videos at **[youtube.com/americanstandard](https://youtube.com/americanstandard)**.



## SHARE YOUR NEW PRODUCT!

Tag us **@american\_standard** on Instagram and show us how your new product looks.

## ≡ WANT MORE INFO?

For questions or help call us at **855-815-0004**, or visit **[americanstandard.com](https://americanstandard.com)**

# PARCE QUE LES GENS SONT TELS QU'ILS SONT

## Merci d'avoir acheté des produits American Standard.

Nous sommes si contents que vous l'ayez fait, vous le serez également. Rendons-nous à l'évidence, les partisans s'agitent, les clients et les voyageurs sont impatients, et les écoliers sont, disons, imprévisibles. Comment le savons-nous? Fort de presque 150 ans d'expérience, nous connaissons mieux que quiconque le fonctionnement des toilettes hautement fréquentées. Nous savons que même les plombiers les plus talentueux ne maîtrisent pas ce qu'il se passe au quotidien, et que nos toilettes, urinoirs, lavabos et robinets doivent rester en excellent état, quoi qu'il se passe.

Voilà pourquoi nous aimons vos histoires et idées qui nous permettent d'innover dans des produits qui facilitent la vie.

### NOTE À L'INTENTION DES INSTALLATEURS : Veuillez remettre ce manuel au client une fois l'installation effectuée.

Obtenez de plus amples renseignements sur les produits Selectronic® d'American Standard en visitant notre site Web à l'adresse [www.americanstandard-us.com](http://www.americanstandard-us.com) ou en envoyant un courriel à l'adresse [sensor@lixil.com](mailto:sensor@lixil.com)

**Pour des renseignements sur les pièces, l'entretien, la garantie ou toute autre aide, veuillez appeler le 844 CRT-TEAM / 844 278-8326 (au Canada : 1 800 387-0369) (dans la région de Toronto seulement : 1 905 306-1093)**



Visitez également le site [americanstandard-us.com/bathroom](http://americanstandard-us.com/bathroom) pour regarder la vidéo, consulter ou télécharger les manuels d'installation ou en apprendre davantage sur votre produit.

## Vous avez une question ou avez besoin d'aide pour l'installation?

Pour toute question ou tout besoin d'aide pour l'installation, appelez-nous au **855 815-0004**.

M985136 SKU# 6245XXX/6247XXX FR (1/22)

*American Standard*

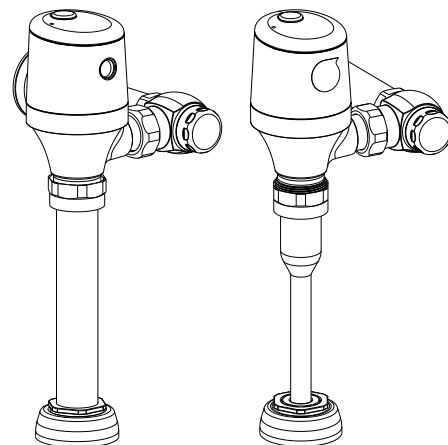


# MANUEL DU PROPRIÉTAIRE

## Robinet de chasse avec diaphragme, toilette/urinoir CC exposés

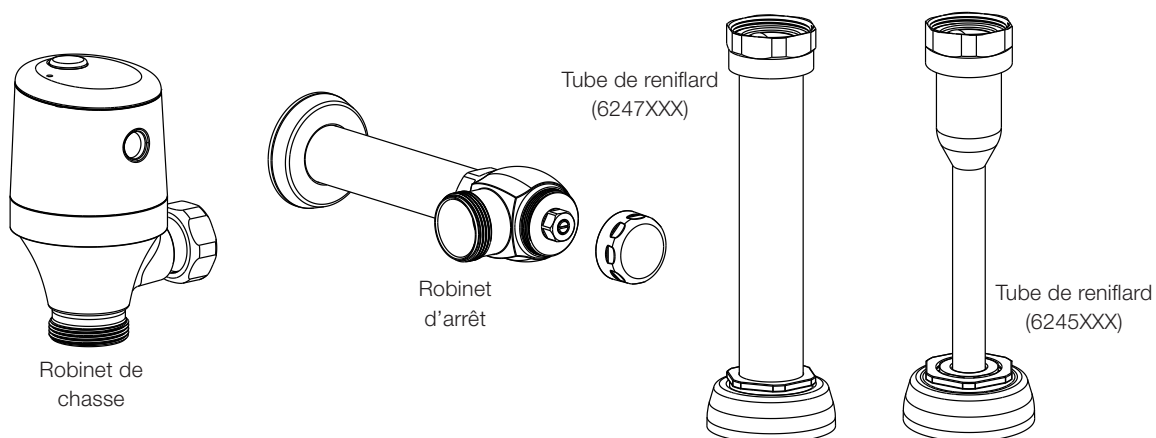
### 6245XXX / 6247XXX

L'illustration peut être différente du produit acheté.



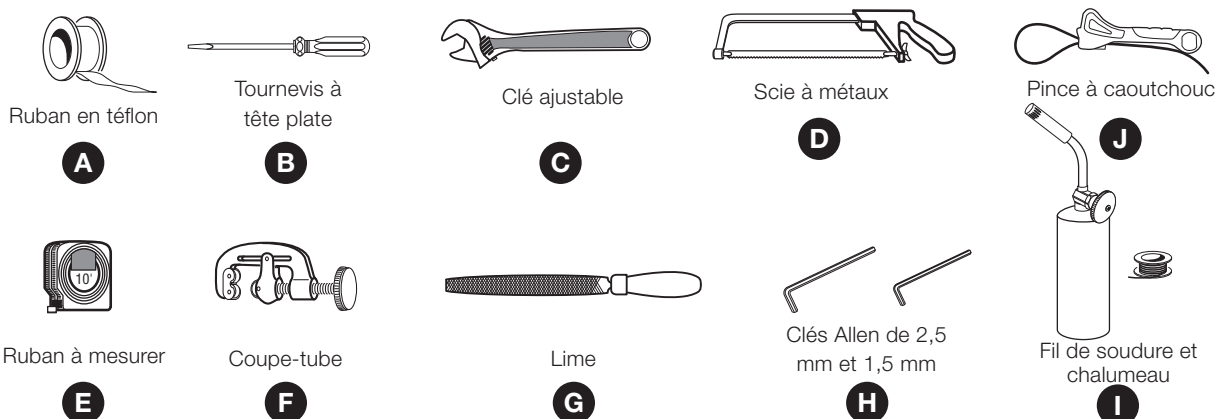
## CONTENU DE LA BOÎTE

Les outils à utiliser seront indiqués par la lettre correspondante à chacune des étapes de l'installation.



## OUTILS RECOMMANDÉS

Les outils à utiliser seront indiqués par la lettre correspondante à chacune des étapes de l'installation.



### Robinet de chasse pour toilette/urinoir exposés

**MISE EN GARDE :** N'utilisez que les transformateurs et les ensembles de câbles fournis par American Standard. Utiliser des câbles non fournis par AS ou couper, réparer ou modifier tout composant annulera la garantie.

**Le produit doit être utilisé avec les pièces certifiées WaterSense ayant le même volume de chasse coté.**

*American Standard*

## PRÉALABLEMENT À L'INSTALLATION

**Remarque : Les éléments suivants doivent être installés avant de mettre en place le robinet de chasse Selectronic™.**

1. Urinoir/toilette
2. Tuyau d'évacuation
3. Tuyau d'alimentation en eau

### IMPORTANT:

- **Toute la plomberie et tous les branchements électriques doivent être installés conformément aux codes et règlements en vigueur.**
- L'utilisation d'anti-béliers est fortement recommandée pour des utilisations commerciales. Tous les tuyaux derrière les murs doivent être convenablement fixés.
- Les tuyaux d'alimentation en eau doivent avoir une dimension adaptée pour fournir le volume d'eau convenant à chaque appareil.
- Purger tous les tuyaux d'alimentation en eau avant toute utilisation. Le robinet de chasse peut rester ouvert en raison de la poussière et des débris.
- **À l'exception de l'entrée du robinet d'arrêt, NE PAS utiliser de joint pour tuyaux ni de graisse pour plomberie sur les composants de robinet ou les raccords!**
- Protéger le chrome ou le fini spécial sur le robinet de chasse. NE PAS UTILISER d'outils dentés sur les surfaces finies pour l'installation ou l'entretien de ces robinets. Consulter également la section « Entretien et nettoyage » du manuel.
- Ce produit est constitué de composants mécaniques ou électriques soumis à une usure normale. Ces composants doivent être vérifiés régulièrement et remplacés au besoin pour le bon fonctionnement du robinet.

**Consulter le fabricant de l'appareil pour connaître les exigences de pression minimale. La plupart des toilettes à efficacité supérieure requièrent une pression d'écoulement minimale de 25 psi (172 kPa). De nombreux codes du bâtiment et la norme ASME A112.19.2 pour les appareils indiquent une pression d'eau statique maximale de 80 PSI (552 kPa).**

# INSTALLATION DU ROBINET DE CHASSE

## 1

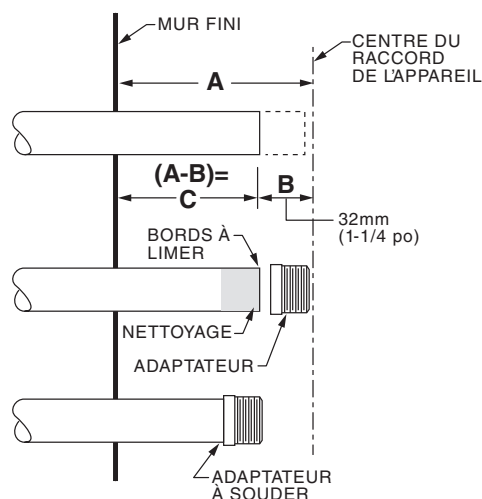
### INSTALLATION DE L'ADAPTATEUR DE BRASAGE



**Couper l'alimentation en eau chaude et en eau froide avant de commencer.**

**Remarque : Installer l'adaptateur de brasage facultatif (fourni) du tuyau d'alimentation en eau en cuivre.**

1. Mesurez la distance (A) entre le mur fini et le centre du raccord de sortie sur l'appareil.
2. Coupez le tuyau d'alimentation de 1-1/4 po (A-B=C) pour qu'il soit plus court que la mesure prise à l'étape 1. Limez les bords bruts situés à l'extrémité du tuyau d'alimentation.
3. Nettoyez l'extrémité du tuyau d'alimentation. Poussez l'adaptateur fileté contre la butée interne. Soudez l'adaptateur au tuyau.



**F G I D E**

## 2

### INSTALLATION DU TUBE DE PROTECTION, DE LA PLAQUE DE FINITION MURALE ET DU ROBINET D'ARRÊT

1. Mesurez la distance entre le mur fini et le premier filetage de l'adaptateur ou le tuyau d'alimentation fileté (dimension « X »). Coupez le TUBE DE PROTECTION (1) à la longueur X. Appliquez du ruban en téflon sur l'extrémité fileté de l'adaptateur ou du tuyau d'alimentation.
2. Poussez LA PLAQUE DE FINITION MURALE (2) sur le TUBE DE PROTECTION (1). Faites glisser les deux sur le TUYAU D'ALIMENTATION (3).
3. Poussez le TUBE DE PROTECTION (1) pour exposer les filetages du tuyau d'alimentation. À l'aide d'une clé, vissez le ROBINET D'ARRÊT (4) sur le TUYAU D'ALIMENTATION (3). Alignez et serrez.
4. Tirez le TUBE DE PROTECTION (1) contre le ROBINET D'ARRÊT (4) et poussez la PLAQUE DE FINITION MURALE (2) contre le mur fini.

Fig. 4a

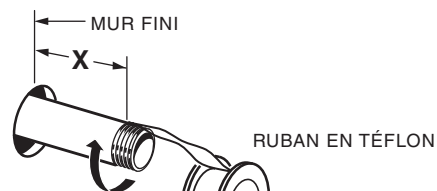


Fig. 4b

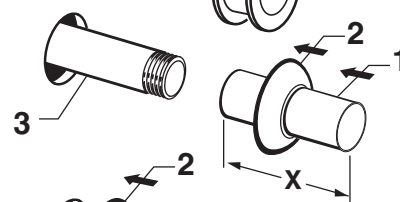
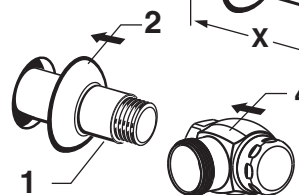


Fig. 4c



**A C D F**

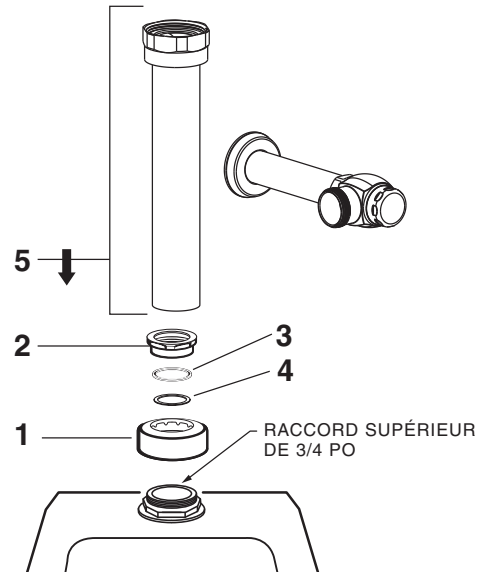
### 3

#### INSTALLATION DU TUBE DE RENIFLARD

1. Placez la BRIDE DE RACCORD (1) sur le raccord de l'appareil.
2. Placez la RONDELLE DE FROTTEMENT (3) et la RONDELLE D'ÉTANCHÉITÉ (4) à l'intérieur de l'ÉCROU DE RACCORDEMENT DU RACCORD (2) et vissez sur le raccord. Ne serrez pas complètement.
3. Insérez le TUBE DE RENIFLARD (5) dans l'ÉCROU DE RACCORDEMENT DU RACCORD (2) et appuyez dessus.

**Remarque :** Si vous coupez le TUBE DE RENIFLARD (5) à la bonne taille, notez que le niveau critique (N-C) sur le reniflard doit en général être situé 6 po (152 mm) au-dessus de l'appareil. Consultez le code pour plus de détails.

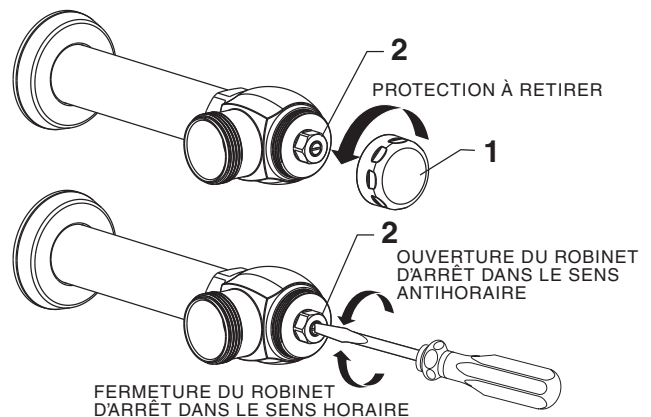
**C**



### 4

#### PURGE DES TUYAUX D'ALIMENTATION

1. Retirez la PROTECTION DU ROBINET D'ARRÊT (1) du ROBINET D'ARRÊT (2).
2. Ouvrez le ROBINET D'ARRÊT (2) à l'aide d'un tournevis à tête plate.
3. Ouvrez l'alimentation en eau pour évacuer tout débris ou sédiment.
4. Fermez le ROBINET D'ARRÊT (2) et remplacez la PROTECTION DU ROBINET D'ARRÊT (1).



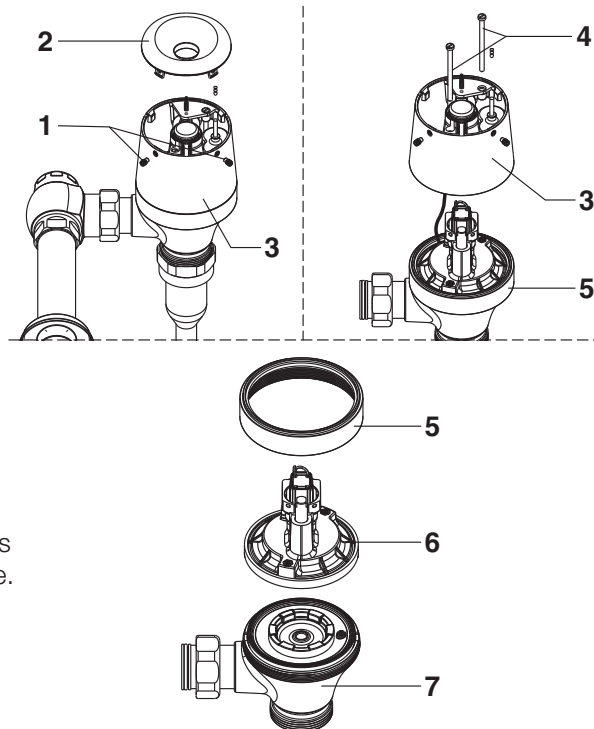
**B**

# 5

## INSTALLATION À GAUCHE OU À DROITE

L'appareil est livré avec une pièce de raccordement réglable sur le côté droit. Il est possible de modifier l'orientation au besoin en suivant les étapes ci-dessous.

1. Dévissez les deux VIS CALANTES (1).
2. Retirez le CAPUCHON (2) de la COQUE DU BOÎTIER (3) à l'aide d'un tournevis à tête plate.
3. Débranchez les fils reliés à la pile et au solénoïde.
4. Dévissez les deux VIS (4).
5. Soulevez la COQUE DU BOÎTIER (3) de l'ANNEAU DU BOÎTIER (5).
6. Dévissez l'ANNEAU DU BOÎTIER (5).
7. Retirez le COLLECTEUR (6).
8. Faites tourner le BOÎTIER (7) à 180 degrés et inversez les étapes ci-dessus pour effectuer l'échange droite/gauche.

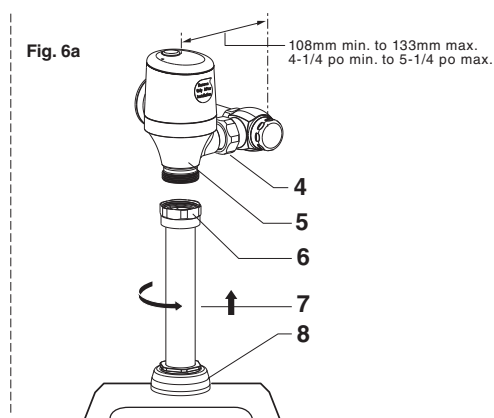
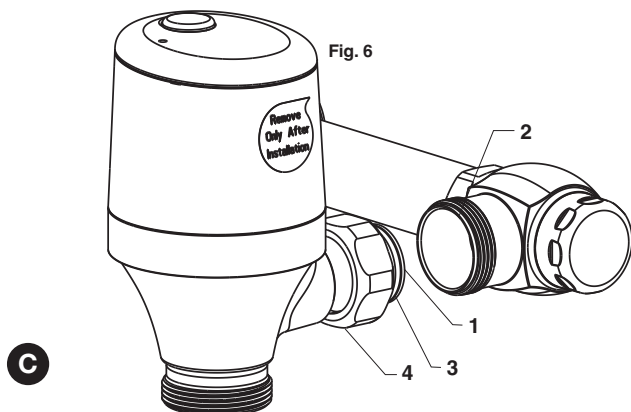


**B H J**

# 6

## INSTALLATION DU ROBINET DE CHASSE

1. Insérez la PIÈCE DE RACCORDEMENT RÉGLABLE (1) dans le ROBINET D'ARRÊT (2). Lubrifiez le JOINT TORIQUE (3) avec de l'eau au besoin. Serrez légèrement l'ÉCROU DE RACCORDEMENT (4). **Fig. 6.**  
**Important : Ne pas utiliser de lubrifiants (autre que de l'eau) ni aucun type de pâte ou de ruban d'étanchéité de filetage.**
2. Alignez le CORPS DU ROBINET DE CHASSE (5) directement sur le TUBE DE RENIFLARD (7) et l'ÉCROU DE RACCORDEMENT DU RENIFLARD (6). **Fig. 6a.**
3. Tirez le TUBE DE RENIFLARD (7) jusqu'au CORPS DU ROBINET DE CHASSE fileté (5), et serrez à la main l'ÉCROU DE RACCORDEMENT DU RENIFLARD (6). Alignez tous les composants de l'ensemble du robinet de chasse. **Fig. 6a.**
4. Serrez légèrement l'ÉCROU DE RACCORDEMENT (4) en premier, puis l'ÉCROU DE RACCORDEMENT DU RENIFLARD (6) et l'ÉCROU DE RACCORDEMENT DU RACCORD (8). Une fois l'alignement effectué, serrez les raccords à l'aide d'une clé pour assurer l'étanchéité. **Fig. 6a.**



**C**

# ENTRETIEN

1

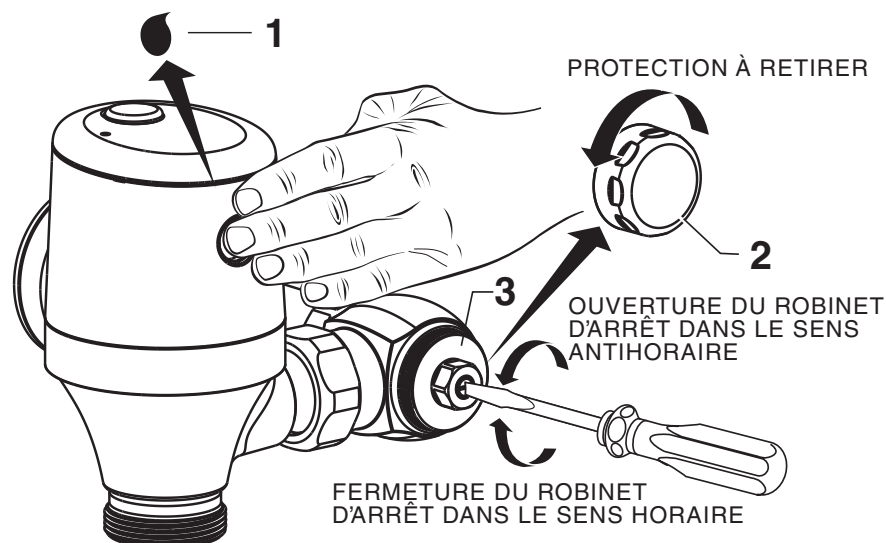
## RÉGLAGE DU ROBINET D'ARRÊT

**IMPORTANT : POUR ÉVITER TOUT DÉBOREMENT, LE ROBINET D'ARRÊT (3) NE DOIT JAMAIS ÊTRE OUVERT DE SORTE QUE LE DÉBIT DU ROBINET NE DÉPASSE PAS LA CAPACITÉ D'ÉCOULEMENT DE L'APPAREIL.**

1. Une fois l'installation terminée, retirez le FILM PROTECTEUR (1) du capteur. Mettez-vous sur un côté et placez votre main sur le capteur pendant dix secondes. Retirez votre main, vous devez entendre un « clic » dans le robinet.
2. Retirez la PROTECTION DU ROBINET D'ARRÊT (2) du ROBINET D'ARRÊT (3). Ouvrez l'alimentation en eau en faisant 1/4 à 1/2 tour dans le sens antihoraire et vérifiez s'il y a des fuites.

**Remarque : L'appareil peut mettre de cinq à dix secondes pour se vider une fois que l'alimentation en eau est ouverte. Si l'eau continue de s'écouler, fermez l'alimentation en eau et répétez l'étape 1 ci-dessus.**

3. Actionnez le ROBINET DE CHASSE :
  - A) Placez votre main sur le capteur pendant dix secondes. **REMARQUE : Sortez du champ de détection du capteur.**
  - B) Retirez votre main du capteur, la chasse se déclenchera en trois secondes environ.
4. Réglez le ROBINET D'ARRÊT (3) après chaque chasse jusqu'à ce que le volume de chasse défini soit atteint, qu'aucune éclaboussure ne se produise et que l'appareil soit correctement nettoyé.
5. Une fois le réglage effectué, remplacez la PROTECTION DU ROBINET D'ARRÊT (2) et serrez pour éviter tout vandalisme.



B C

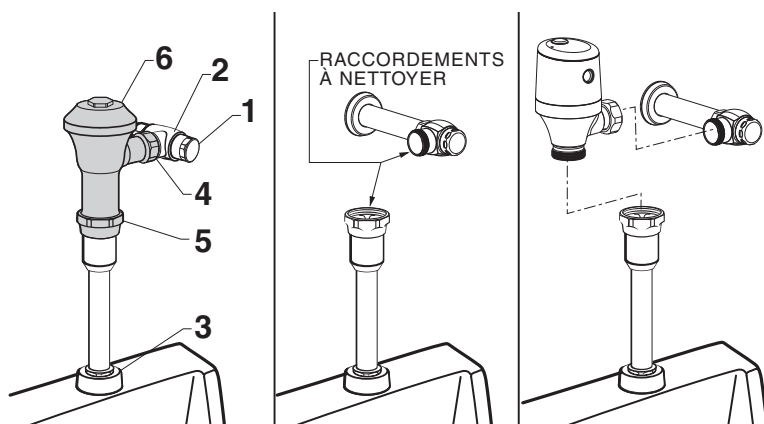
## 2

### MODERNISATION GRÂCE AU ROBINET SELECTRONIC

(Remplace les robinets électroniques et manuels courants de l'industrie)

**Remarque :** Dans la plupart des améliorations, il n'est pas nécessaire de remplacer la plaque de finition murale, le robinet d'arrêt, le tube de protection ni le reniflard. Pour remplacer ces appareils, vous devez les acheter séparément ou commander l'ensemble complet de robinet de chasse auprès d'American Standard.

1. Retirez la PROTECTION DU ROBINET D'ARRÊT (1) du ROBINET D'ARRÊT (2).
2. Coupez l'alimentation en eau.
3. Desserrez l'ÉCROU DE RACCORDEMENT DU RACCORD (3). Dévissez l'ÉCROU DE RACCORDEMENT (4) et l'ÉCROU DE RACCORDEMENT DU RENIFLARD (5). Retirez le ROBINET DE CHASSE (6).
4. Nettoyez tous les raccords filetés avant d'installer le robinet de chasse neuf.
5. Consultez les sections 4, 5 et 6 pour effectuer la modernisation.



C

## 3

### REPLACEMENT DE LA PILE

1. Dévissez les deux VIS CALANTES (1). **Fig. 11.**
2. Retirez le CAPUCHON (2) de la protection du robinet de chasse à l'aide d'un tournevis à tête plate pour exposer le PORTE-PILES (5). **Fig. 11.**
3. Retirez l'ancienne PILE du PORTE-PILES (5). Installez la nouvelle PILE (7) en veillant à ce que la forme de la PILE corresponde à celle du PORTE-PILES (5). **Fig. 11a.**
4. Insérez le PORTE-PILES (6) dans la PROTECTION (3) du robinet de chasse. **Fig. 11a.**
5. Branchez le PORTE-PILES (5) au CAPTEUR (4) et faites les étapes ci-dessus en sens inverse pour assembler le robinet de chasse. **Fig. 11a.**

**Remarque :** Lorsque la pile est remplacée, la lumière du capteur clignotera dix fois.

Fig. 11

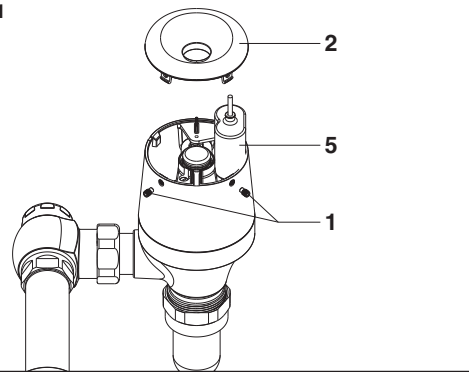
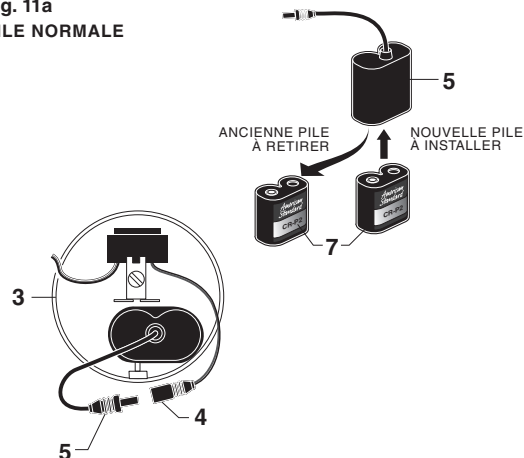


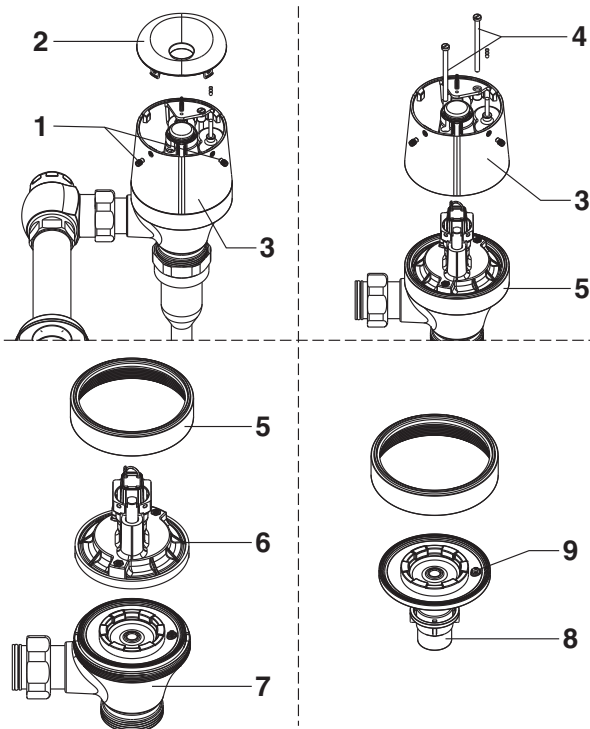
Fig. 11a  
PILE NORMALE



B H

## NETTOYAGE DU DIAPHRAGME

1. Dévissez les deux VIS CALANTES (1).
2. Retirez le CAPUCHON (2) de la COQUE DU BOÎTIER (3) à l'aide d'un tournevis à tête plate.
3. Débranchez les fils reliés à la pile et au solénoïde.
4. Dévissez les deux VIS (4).
5. Soulevez la COQUE DU BOÎTIER (3) de l'ANNEAU DU BOÎTIER (5).
6. Dévissez l'ANNEAU DU BOÎTIER (5).
7. Retirez le COLLECTEUR (6).
8. Retirez le DIAPHRAGME (8) pour le nettoyer.  
Nettoyez autour du CONDUIT (9).



**C J**



# GARANTIE

## Garantie limitée à vie AS America, Inc. sur le fini et les fonctions du robinet

INSTALLATIONS PAR LE PROPRIÉTAIRE NON COMMERCIAL : AS America, Inc. (« American Standard® ») garantit que ce produit ne comporte aucun défaut de matériel ni de fabrication tant que le propriétaire non commercial original détient le produit. Une preuve d'achat (votre ticket de caisse original) du propriétaire non commercial original doit être présentée à American Standard pour toute réclamation au titre de la garantie. La présente garantie ne peut être transférée à des acheteurs ni à des propriétaires successeurs. La seule exception à l'incessibilité de cette garantie concerne le cas où ce produit est acheté par un plombier, un entrepreneur ou un autre prestataire de services, auquel cas la présente garantie s'étend au premier propriétaire au nom duquel le produit a été acheté pour être installé. Elle ne s'applique pas si les dommages au produit sont dus à l'utilisation de pièces détachées d'une autre marque qu'American Standard, à une erreur d'installation, à un abus, à une mauvaise utilisation ou à un entretien inapproprié (par un plombier, un entrepreneur, un fournisseur de services ou un membre du foyer de l'acheteur). La garantie ne couvre pas les dommages dus aux conditions agressives de l'air et de l'eau ni à l'utilisation de nettoyeurs ou de matériaux abrasifs ou puissants. La présente garantie ne couvre pas la détérioration due à l'usure normale ni les dépenses relatives à l'entretien normal.

INSTALLATIONS PAR LE PROPRIÉTAIRE COMMERCIAL : Pour toutes les installations par un propriétaire commercial, la période de garantie est de cinq ans à compter de la date d'achat, et à l'exception de la durée, toutes les autres dispositions de la garantie s'appliquent. Une « installation par un propriétaire commercial » comprend l'utilisation du produit dans les appartements et les autres bâtiments de location, les installations non résidentielles, les hôtels, les établissements commerciaux ou les autres établissements publics.

En ce qui concerne les installations par le propriétaire commercial et non commercial, les piles normales ne sont pas couvertes par la garantie. La période de garantie de l'ensemble d'alimentation de longue durée PWRX® est de cinq ans à compter de la date d'achat initial.

ROBINETS ET COMMANDES ÉLECTRONIQUES : American Standard garantit ses robinets et commandes électroniques contre toute défectuosité matérielle ou de fabrication dans des conditions normales d'utilisation pendant une période de cinq (5) ans à compter de la date d'achat initial par le propriétaire non commercial original.

American Standard fournira gratuitement, à sa seule discrétion, des pièces ou un produit de rechange (ou un produit comparable, s'il n'est plus offert) pour remplacer les pièces ou le produit qui comporte un défaut de matériel ou de fabrication. Pour valider cette garantie, la procédure d'enregistrement de la garantie doit être réalisée par Internet ou téléphone, conformément aux instructions d'enregistrement de la garantie.

Comme American Standard ne peut pas contrôler la qualité des produits vendus par des vendeurs non autorisés, la présente garantie ne s'applique qu'aux produits American Standard achetés auprès d'American Standard ou d'un vendeur autorisé American Standard, à moins d'être autrement interdit par la loi. American Standard se réserve le droit de rejeter des réclamations au titre de la garantie de la part d'acheteurs concernant les produits achetés auprès de vendeurs non autorisés, y compris les sites Internet non autorisés.

La présente garantie ne couvre pas les coûts de la main-d'œuvre, ni les dommages subis au cours de l'installation, de la réparation ou du remplacement, ni les dommages consécutifs. La garantie s'applique à tous les robinets vendus après le 1er juillet 2020.

PAR LES PRÉSENTES, AMERICAN STANDARD EXCLUT LES DOMMAGES SPÉCIAUX, INDIRECTS ET ACCESSOIRES POUR TOUT DÉFAUT DE GARANTIE EXPLICITE OU IMPLICITE APPLICABLE À CE PRODUIT. Certains états n'autorisent pas l'exclusion ni la limite de dommages indirects ou accessoires. Par conséquent, ces limites et exclusions peuvent ne pas s'appliquer à votre situation. LA DURÉE DE TOUTES LES GARANTIES IMPLICITES, Y COMPRIS CELLES DE QUALITÉ MARCHANDE OU D'ADAPTATION RELATIVE À UN OBJECTIF PARTICULIER, SE LIMITENT À LA DURÉE DE LA PRÉSENTE GARANTIE. Certains états n'autorisent pas de limites quant à la durée d'une garantie implicite. Par conséquent, cette limite peut ne pas s'appliquer à votre situation.

La présente garantie vous donne des droits juridiques particuliers et vous pouvez également avoir d'autres droits qui varient d'un état à un autre.

### ÉTATS-UNIS

American Standard Brands  
30 Knightsbridge Rd Suite 301,  
Piscataway, NJ 08854  
Attention : Directeur du Service clients  
Pour les résidents des États-Unis, il est également possible d'obtenir les renseignements relatifs à la garantie en appelant au numéro sans frais suivant : 800 442-1902  
[www.americanstandard.com](http://www.americanstandard.com)

### CANADA

LIXIL Canada, Inc.  
5900 Avebury Rd.  
Mississauga, Ontario  
Canada L5R 3M3  
Numéro sans frais : 800 387-0369  
[www.americanstandard.ca](http://www.americanstandard.ca)

### MEXICO

American Standard B&K Mexico  
S. de R.L. de C.V.  
Via Morelos #330  
Col. Santa Clara  
Ecatepec 55540 Edo. Mexico  
Numéro sans frais : 01-800-839-1200  
[www.americanstandard.com.mx](http://www.americanstandard.com.mx)

### VEUILLEZ REMPLIR L'ENREGISTREMENT DE GARANTIE AMERICAN STANDARD ET SAUVEGARDER CES RENSEIGNEMENTS SUR LA GARANTIE

**IMPORTANT :** La toilette doit avoir été enregistrée pour que cette garantie entre en vigueur. Votre enregistrement nous permettra de communiquer facilement avec vous en cas de rappel du produit\*.

**INSTRUCTIONS:** Enregistrez votre robinet de chasse sur [www.americanstandard.com](http://www.americanstandard.com). Conservez votre preuve d'achat (ticket de caisse). Si vous avez besoin d'aide ou n'avez pas accès à notre site Web, veuillez appeler le service à la clientèle d'American Standard au numéro suivant : 800 442-1902.

Un représentant d'American Standard vous aidera à remplir l'enregistrement de la garantie.

\*En Californie, vos droits de garantie demeurent inchangés même si vous n'enregistrez pas la garantie.

**LA PRÉSENTE GARANTIE NE PEUT ÊTRE TRANSFÉRÉE PAR L'ACHETEUR ORIGINAL.**

*American Standard*

# FAITES-NOUS PART DE VOS COMMENTAIRES!

★ Veuillez nous laisser une critique ou une expérience du produit à l'adresse **[americanstandard.com/reviews](https://americanstandard.com/reviews)**



## Je recommanderais ce produit

Plus de 100 de ces toilettes ont été installées. 207960537

Je travaille au service de plomberie des studios Paramount Pictures. Nous utilisons ces toilettes depuis plus de quatre ans, ayant remplacé nos anciennes toilettes de 1,6 GPC ou plus par ce modèle Champion Pro. Même soumises à une utilisation intensive, elles ont passé tous les essais et ont parfaitement fonctionné.

Enregistrez votre garantie et abonnez-vous à un bulletin d'information plein d'idées sur **[americanstandard.com/warranty](https://americanstandard.com/warranty)**.

Visionnez des vidéos d'installation sur **[youtube.com/americanstandard](https://youtube.com/americanstandard)**.



## PARTAGEZ VOTRE NOUVEAU PRODUIT!

Identifiez-nous **@american\_standard** sur Instagram et montrez-nous à quoi ressemble votre nouveau produit.

## ≡ D'AUTRES RENSEIGNEMENTS?

Pour toute question ou de l'aide, appelez-nous au **855-815-0004**, ou visitez le site **[americanstandard.com](https://americanstandard.com)**

# PORQUE LAS PERSONAS PASAN

## Gracias por comprar productos de American Standard.

Estamos muy agradecidos de que lo haya hecho, y usted también lo estará. Porque, enfrentemos la situación, los ventiladores causan problemas; los compradores y viajeros son impacientes y los alumnos, bueno, son impredecibles. ¿Cómo lo sabemos? Durante casi 150 años hemos llegado a conocer los baños con gran volumen de tráfico mejor que nadie en la industria. Entendemos que hasta los plomeros más talentosos no tienen control sobre lo que ocurre día tras día, y que nuestros baños, mingitorios, lavabos y llaves deben hacer frente a lo que sea que se interponga en su camino.

Por eso apreciamos sus historias e ideas; nos ayudan a innovar con productos que faciliten su vida.

### NOTA PARA EL INSTALADOR: Entregue este manual al cliente después de la instalación.

TPara obtener más información sobre los productos de American Standard Selectronic®, visite nuestro sitio web: [www.americanstandard-us.com](http://www.americanstandard-us.com) o escribanos a: [sensor@lifix.com](mailto:sensor@lifix.com)

Para piezas, servicio, garantía u otra asistencia, llame al  
**(844) CRT-TEAM / (844) 278-8326 (En Canadá: 1-800-387-0369)**  
**(Únicamente en el área de Toronto: 1-905-306-1093)**



O, visite [americanstandard-us.com/bathroom](http://americanstandard-us.com/bathroom) para ver el video, ver/descargar los manuales de instalación o conocer más sobre su producto.

## ¿Tiene alguna pregunta o necesita ayuda con la instalación?

Para preguntas o ayuda con la instalación, llámenos al **855-815-0004**.

M985136 SKU# 6245XXX/6247XXX SP (1/22)

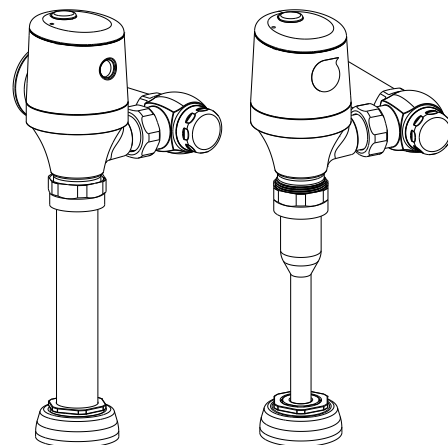
*American Standard*

# MANUAL DEL PROPIETARIO

## Flujómetro de diafragma, CC expuesto

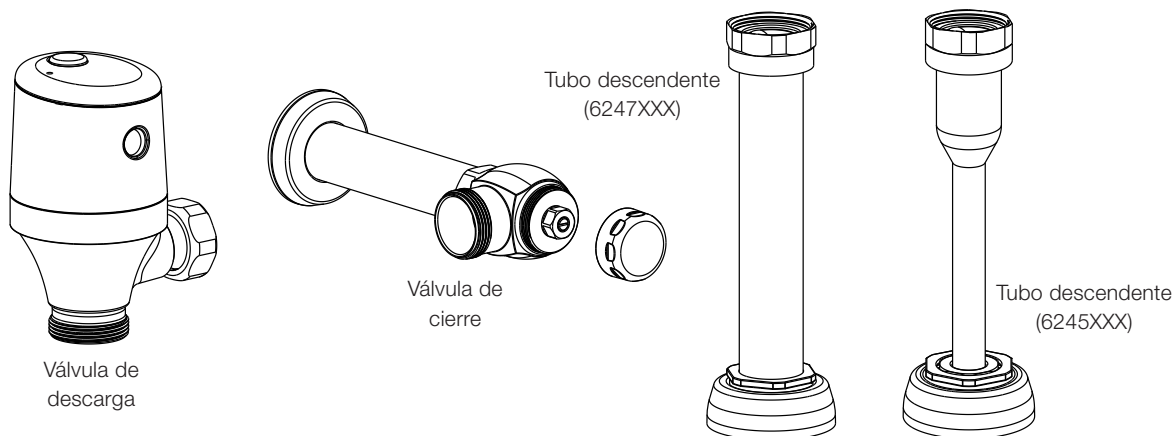
### Mingitorio/Inodoro 6245XXX / 6247XXX

La imagen puede diferir del producto comprado.



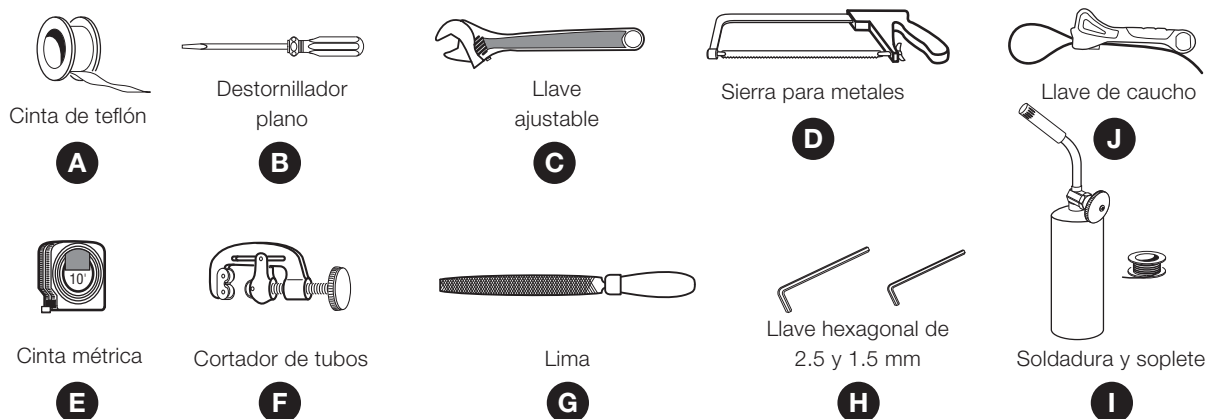
## DENTRO DE LA CAJA

Los pasos de instalación indicarán las herramientas que deben utilizarse con la letra correspondiente.



## HERRAMIENTAS RECOMENDADAS

Los pasos de instalación indicarán las herramientas que deben utilizarse con la letra correspondiente.



### Flujómetro de inodoro/mingitorio expuesto

**PRECAUCIÓN:** Use únicamente los transformadores y cables suministrados por American Standard. Si utiliza cables no suministrados por AS o corta, separa o modifica cualquier componente, se anulará la garantía.  
**Producto a ser utilizado con accesorio certificado WaterSense con el mismo volumen de descarga nominal.**

## ANTES DE LA INSTALACIÓN

**Nota:** Antes de instalar la válvula de descarga **SELECTRONIC™**, debe instalar los siguientes artículos.

1. Mingitorio/inodoro
2. Línea de desagüe
3. Línea de suministro de agua

### IMPORTANTE:

- **Todo el cableado de plomería y electricidad debe instalarse de conformidad con los códigos y las reglamentaciones aplicables.**
- Se recomienda fuertemente el uso de arrestadores de golpe de ariete para las aplicaciones comerciales. Todas las tuberías ubicadas detrás de las paredes deben sujetarse y fijarse adecuadamente.
- Las líneas de suministro de agua deben ser de un tamaño como para brindar un volumen adecuado de agua para cada accesorio.
- Descargue todas las líneas de agua antes del funcionamiento. La suciedad y los desechos pueden hacer que la válvula de descarga funcione continuamente.
- **Con la excepción de la entrada de la válvula de cierre, ¡NO use sellador de tuberías ni grasa de plomería en ningún componente ni acoplamiento de la válvula!**
- Proteja el cromo o el acabado especial del fluxómetro. NO UTILICE herramientas dentadas en las superficies terminadas para instalar o dar servicio a las válvulas. Consulte asimismo la sección "Cuidado y limpieza" del manual.
- Este producto contiene componentes mecánicos y/o eléctricos que sufren el desgaste normal. Debe verificarlos regularmente y reemplazarlos según sea necesario para mantener el rendimiento de la válvula.

Consulte al fabricante de accesorios para conocer los requisitos de presión mínimos. La mayoría de los inodoros de alta eficiencia requieren una presión de caudal mínima de 25 psi (172 kPa). Numerosos códigos de construcción y el estándar de accesorios ASME A112.19.2 enumeran la presión de agua estática máxima en 80 PSI (552 kPa).

*American Standard*

# INSTALACIÓN DE LA VÁLVULA DE DESCARGA

## 1

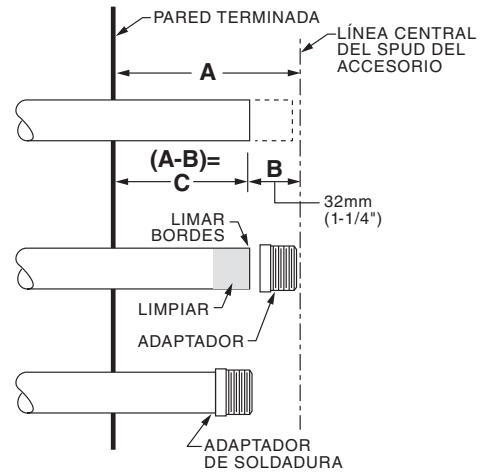
### INSTALAR EL ADAPTADOR DE SOLDADURA



**Apague los suministros de agua caliente y fría antes de comenzar.**

**Nota: Instale el adaptador de soldadura opcional (suministrado) para la línea de suministro de la tubería de cobre.**

1. Mida la distancia (A) desde la pared terminada hasta el centro del spud de entrada en el accesorio.
2. Corte la tubería de suministro 1-1/4" (A-B=C) más corta que la medida tomada en el paso 1. Lije todos los bordes rugosos del extremo de la tubería de suministro.
3. Limpie el extremo de la tubería de suministro. Empuje el adaptador roscado hasta que esté apoyado contra el cierre interno. Suelde el adaptador a la tubería.



**F G I D E**

## 2

### INSTALAR EL TUBO DE CUBIERTA, EL CHAPETÓN DE PARED Y LA VÁLVULA DE CIERRE

1. Mida desde la pared terminada hasta la primera rosca del adaptador o de la tubería de suministro roscada (dimensión "X"). Corte el TUBO DE CUBIERTA (1) al largo (X). Aplique cinta de teflón al extremo roscado del adaptador o caño de suministro.
1. Empuje el CHAPETÓN DE PARED (2) contra el TUBO DE CUBIERTA (1). Deslice ambos en la TUBERÍA DE SUMINISTRO (3).
1. Empuje el TUBO DE CUBIERTA (1) hacia adentro para exponer las roscas de la tubería de suministro. Usando una llave, enrosque la VÁLVULA DE CIERRE (4) en la TUBERÍA DE SUMINISTRO (3). Alinee y ajuste.
1. Tire el TUBO DE CUBIERTA (1) contra la VÁLVULA DE CIERRE (4) y empuje el CHAPETÓN DE PARED (2) contra la pared terminada.

Fig. 4a

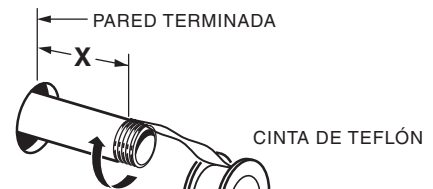


Fig. 4b

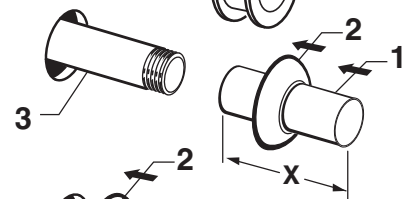
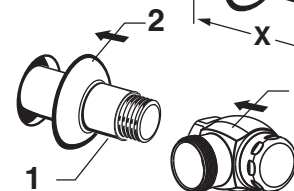


Fig. 4c



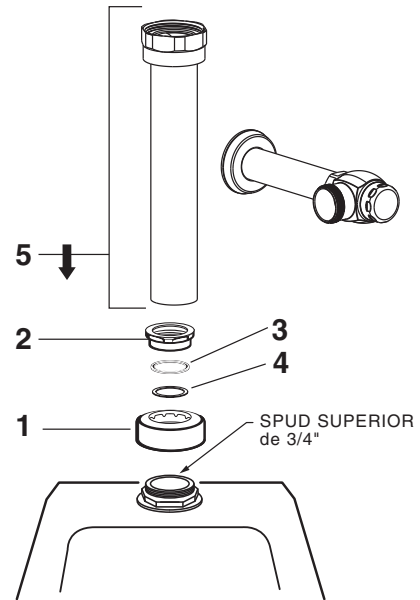
**A C D F**

### 3

#### INSTALAR EL CAÑO DE LA VÁLVULA DE CONTRAFLUJO

1. Coloque la BRIDA DEL SPUD (1) sobre el spud en el accesorio.
2. Coloque la ARANDELA DE FRICCIÓN (3) y la ARANDELA DE EMPAQUE (4) dentro de la TUERCA DE ACOPLAMIENTO DEL SPUD (2) y enrosque en el spud. No ajuste por completo.
3. Inserte el CAÑO DE LA VÁLVULA DE CONTRAFLUJO (5) en la TUERCA DE ACOPLAMIENTO DEL SPUD (2) y empújelo hacia abajo.

**Nota: Si corta el CAÑO DE LA VÁLVULA DE CONTRAFLUJO (5), la línea crítica (L/C) en la válvula de contraflujo típicamente debe estar 6" (152 mm) por encima del accesorio. Consulte el Código para obtener los detalles.**

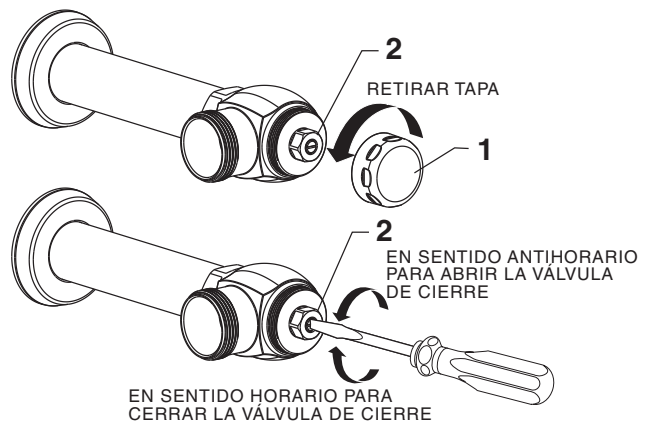


C

### 4

#### LIMPIAR LAS LÍNEAS DE SUMINISTRO

1. Retire la TAPA DE LA VÁLVULA DE CIERRE (1) de la VÁLVULA DE CIERRE (2).
2. Abra la VÁLVULA DE CIERRE (2) usando un destornillador plano.
3. Encienda la línea del suministro de agua para limpiar cualquier desecho o sedimento de la línea.
4. Cierre la VÁLVULA DE CIERRE (2) y vuelva a colocar la TAPA DE LA VÁLVULA DE CIERRE (1).



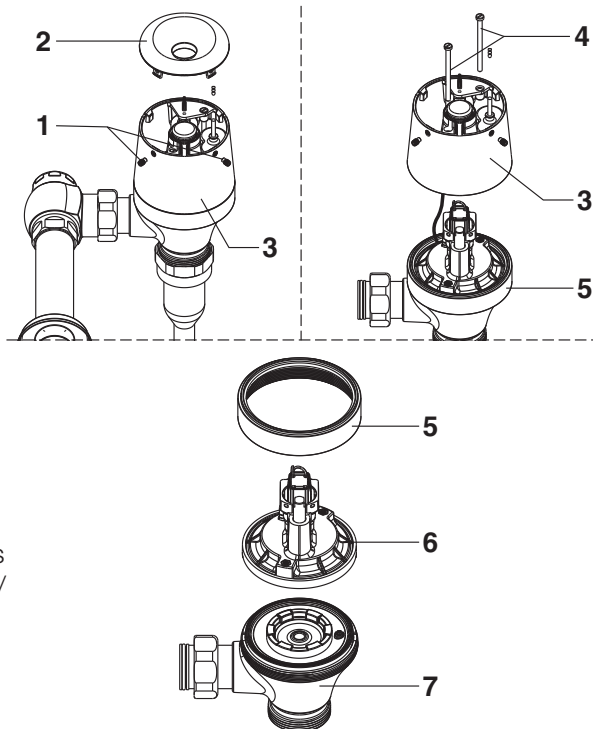
B

# 5

## INSTALACIÓN A LA IZQUIERDA O A LA DERECHA

La unidad se envía con una pieza posterior ajustable en el lado derecho. Si es necesario, la orientación puede modificarse siguiendo los pasos que se detallan a continuación.

1. Desenrosque los dos TORNILLOS DE AJUSTE (1).
2. Utilice un destornillador de cabeza plana para hacer palanca y sacar la TAPA del CASCO (3).
3. Desconecte el acoplamiento de cable de la batería y el acoplamiento de cable del solenoide.
4. Desenrosque los dos TORNILLOS (4).
5. Levante el CASCO DEL CUERPO (3) y extráigalo del ANILLO DEL CUERPO (5).
6. Desenrosque el ANILLO DEL CUERPO (5).
7. Retire el DISTRIBUIDOR DE AGUA (6).
8. Gire el CUERPO (7) 180 grados e invierta el orden de los pasos anteriores para completar el intercambio derecho/izquierdo.



**B H J**

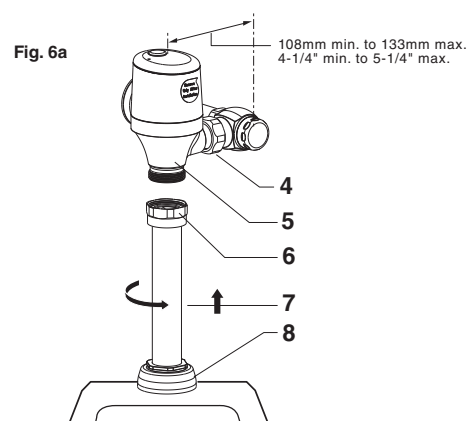
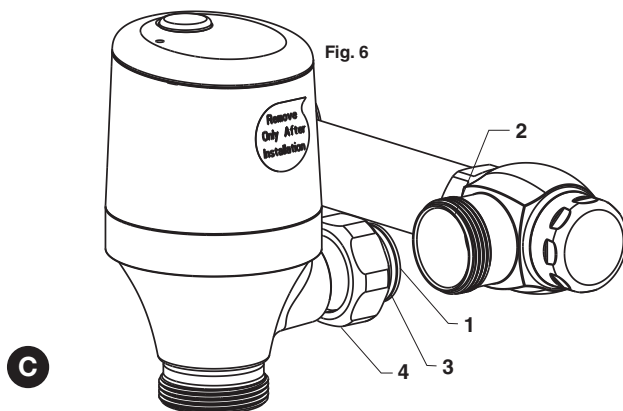
# 6

## INSTALAR LA VÁLVULA DE DESCARGA

1. Inserte la PIEZA POSTERIOR AJUSTABLE (1) en la VÁLVULA DE CIERRE (2). Lubrique la JUNTA TÓRICA (3) con agua si es necesario. Ajuste levemente la TUERCA DE ACOPLAMIENTO (4). **Fig. 6.**

**Importante: No use lubricante (solo agua) ni ningún tipo de pasta ni cinta para sellar roscas.**

2. Alinee el CUERPO DE LA VÁLVULA DE DESCARGA (5) directamente sobre el TUBO DE LA VÁLVULA DE CONTRAFLUJO (7) y la TUERCA DE ACOPLAMIENTO DE LA VÁLVULA DE CONTRAFLUJO (6). **Fig. 6a.**
3. Jale el TUBO DE LA VÁLVULA DE CONTRAFLUJO (7) hacia arriba para unirlo con el CUERPO DE LA VÁLVULA DE DESCARGA roscada (5) y ajuste a mano la TUERCA DE ACOPLAMIENTO DE LA VÁLVULA DE CONTRAFLUJO (6). Alinee todos los componentes del conjunto de la válvula de descarga. **Fig. 6a.**
4. Primero ajuste levemente la conexión de la TUERCA DE ACOPLAMIENTO (4), luego la TUERCA DE ACOPLAMIENTO DE LA VÁLVULA DE CONTRAFLUJO (6) y finalmente la TUERCA DE ACOPLAMIENTO DEL SPUD (8). Una vez que estén bien alineadas, utilice una llave para ajustar los acoplamientos para lograr conexiones herméticas. **Fig. 6a.**



**C**



# MANTENIMIENTO

1

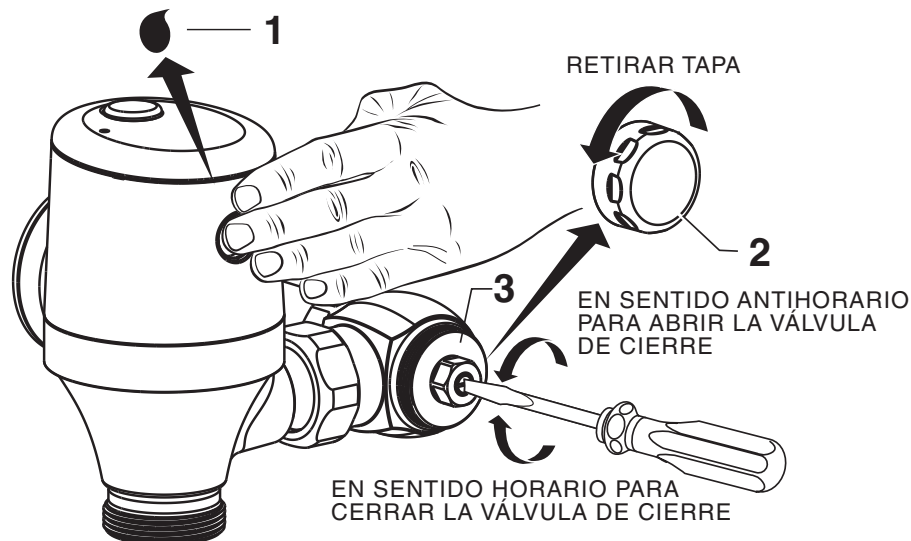
## AJUSTAR LA VÁLVULA DE CIERRE

**IMPORTANTE: PARA EVITAR DESBORDES, LA VÁLVULA DE CIERRE (3) NUNCA DEBE ABRIRSE HASTA EL PUNTO EN QUE EL FLUJO DE LA VÁLVULA EXCEDE LA CAPACIDAD DE FLUJO DEL ACCESORIO.**

1. Una vez que la instalación esté terminada, retire la PELÍCULA PROTECTORA (1) del sensor. Parándose en un lado, bloquee el sensor con la mano durante 10 segundos. Retire la mano y espere hasta oír un “clic” audible del interior de la válvula.
2. Retire la TAPA DE LA VÁLVULA DE CIERRE (2) de la VÁLVULA DE CIERRE (3). Abra el suministro de agua girándolo de 1/4 a 1/2 vuelta (sentido antihorario) y verifique si hay fugas.

**Nota: La unidad puede descargarse durante aproximadamente 5 a 10 segundos la primera vez que se enciende el agua. Si el flujo persiste, apague el agua y repita el paso 1 indicado antes.**

3. Accione la VÁLVULA DE DESCARGA:
  - A) Cubra el sensor con la mano durante 10 segundos. **NOTA: Párese fuera del área de detección del sensor.**
  - B) Retire la mano que está delante del sensor; la unidad se descargará en aproximadamente 3 segundos.
4. Ajuste la VÁLVULA DE CIERRE (3) después de cada descarga hasta lograr el volumen de descarga declarado, que no haya salpicaduras y que el accesorio se haya limpiado correctamente.
5. Cuando el ajuste esté completo, vuelva a instalar la TAPA DE LA VÁLVULA DE CIERRE (2) y ajuste para asegurar la resistencia al vandalismo.



B C

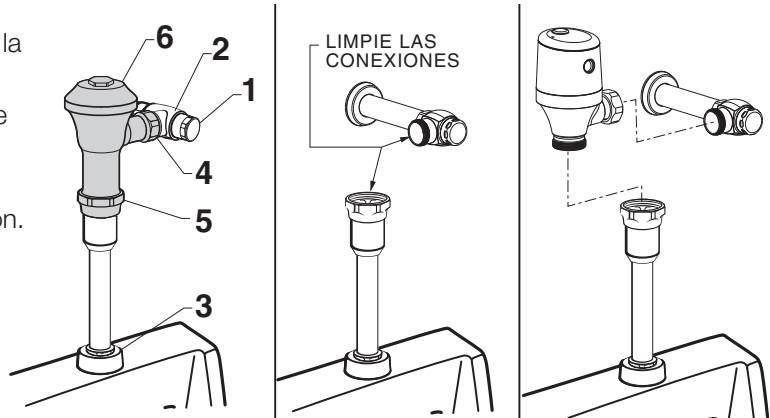
## 2

### READAPTACIÓN CON VÁLVULA DE SELETRONIC

(Reemplace las válvulas manual estándar y electrónica de la industria)

**Nota:** *!En la mayoría de las modernizaciones, deben reemplazarse el chapetón de pared, la válvula de cierre, el tubo de cubierta y la válvula de contraflujo. Si estos artículos necesitan reemplazo, deben comprarse por separado o pedirse el conjunto completo de la válvula de descarga de American Standard.*

1. Retire la TAPA DE LA VÁLVULA DE CIERRE (1) de la VÁLVULA DE CIERRE (2).
2. Cierre el suministro de agua.
3. Afloje la TUERCA DE ACOPLAMIENTO DEL SPUD (3). Desenrosque la TUERCA DE ACOPLAMIENTO (4) y la TUERCA DE ACOPLAMIENTO DE LA VÁLVULA DE CONTRAFLUJO (5). Retire la VÁLVULA DE DESCARGA (6).
4. Limpie las conexiones roscadas antes de instalar la nueva válvula de descarga.
5. Consulte las **secciones 4, 5 y 6** para completar la instalación de modernización.



C

## 3

### REEMPLAZAR LAS BATERÍAS

1. Desenrosque los dos TORNILLOS DE AJUSTE (1). **Fig. 11.**
2. Utilice un destornillador de cabeza plana para hacer palanca y sacar la TAPA (2) de la cubierta de la válvula de descarga para que quede expuesto el SOPORTE DE BATERÍA (5). **Fig. 11.**
3. Retire la BATERÍA vieja del SOPORTE DE BATERÍA (5). Instale la nueva BATERÍA (7), asegurándose de que la forma de la BATERÍA siga la forma del SOPORTE DE BATERÍA (5). **Fig. 11a.**
4. Inserte el SOPORTE DE BATERÍA (6) en la TAPA de la válvula de descarga (3). **Fig. 11a.**
5. Conecte el SOPORTE DE BATERÍA (5) con el SENSOR (4) e invierta el orden de los pasos anteriores para armar la válvula de descarga. **Fig. 11a.**

**Nota:** Cuando se reemplaza la batería, la luz del sensor destellará 10 veces.

Fig. 11

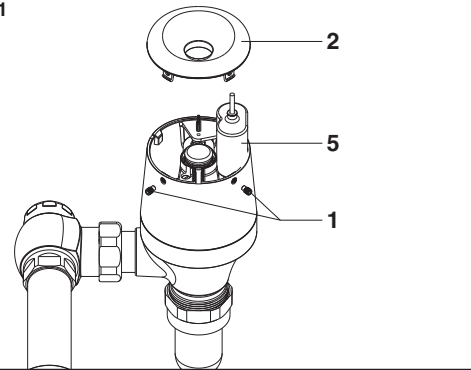
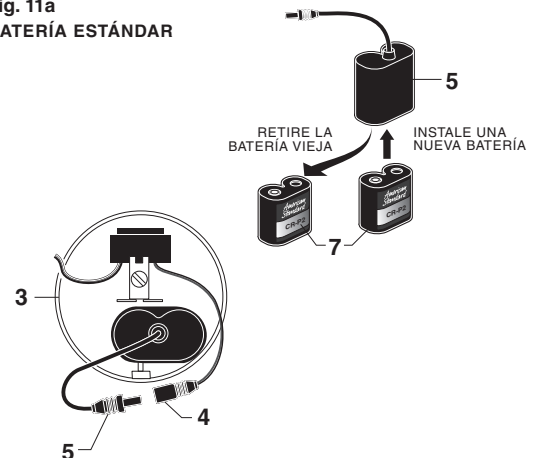


Fig. 11a  
BATERÍA ESTÁNDAR

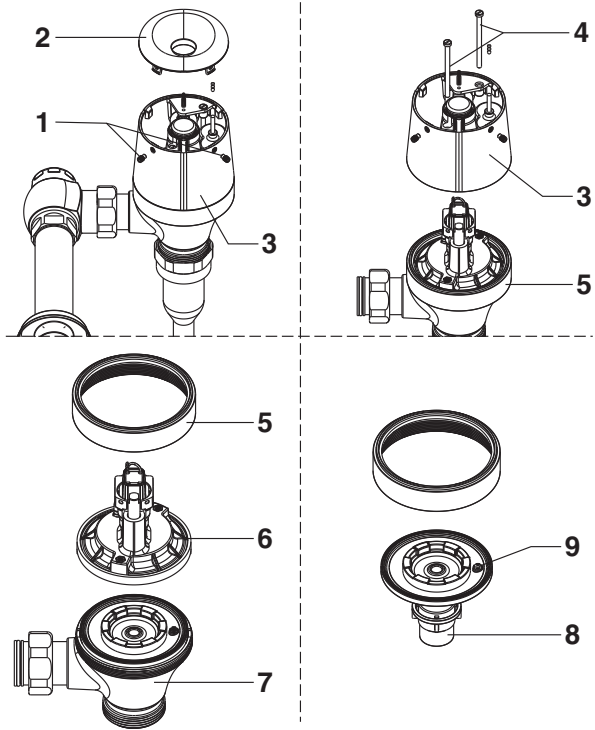


B H

## 4

## LIMPIEZA DEL DIAFRAGMA

1. Desenrosque los dos TORNILLOS DE AJUSTE (1).
2. Utilice un destornillador de cabeza plana para hacer palanca y sacar la TAPA del CASCO (3).
3. Desconecte el acoplamiento de cable de la batería y el acoplamiento de cable del solenoide.
4. Desenrosque los dos TORNILLOS (4).
5. Levante el CASCO DEL CUERPO (3) y extráigalo del ANILLO DEL CUERPO (5).
6. Desenrosque el ANILLO DEL CUERPO (5).
7. Retire el DISTRIBUIDOR DE AGUA (6).
8. Retire el DIAFRAGMA (8) y límpielo. Limpie alrededor del CANAL (9).



**C J**

# GARANTÍA

## Garantía limitada de por vida de funcionamiento y acabado de las llaves de AS America, Inc.

PARA INSTALACIONES DE PROPIETARIO NO COMERCIAL AS America, Inc. ("American Standard®") garantiza que este producto está libre de defectos en el material y la mano de obra siempre y cuando sea la propiedad del propietario no comercial original. American Standard exigirá un comprobante de compra (recibo de compra original) al comprador original no comercial para todos los reclamos conforme a la garantía. Esta garantía no es transferible a los subsiguientes compradores ni propietarios. La única excepción al carácter intransferible de esta garantía se da en el caso en que un plomero, contratista u otro proveedor de servicios compre el producto; esta garantía se extiende al primer propietario comercial en cuya representación se adquirió el producto. No se aplica en el caso de daños al producto debido al uso de refacciones que no sean piezas de reemplazo de American Standard auténticas, errores en la instalación, abuso, uso incorrecto o cuidado y mantenimiento inadecuados (independientemente de que lo haya realizado un plomero, un contratista, un proveedor de servicio o algún miembro de la familia del comprador). La garantía excluye los daños debido a condiciones agresivas en el aire o el agua o los limpiadores y/o materiales duros o abrasivos. Esta garantía no cubre el deterioro del producto por el desgaste normal y el costo del mantenimiento normal.

PARA INSTALACIONES DE PROPIETARIO COMERCIAL: Para todas las instalaciones del propietario comercial, el período de garantía es cinco años desde la fecha de compra y, con excepción de la duración, se aplican el resto de los plazos de la garantía. Una "instalación de propietario comercial" incluye el uso del producto en un apartamento u otras unidades de renta, instalaciones no residenciales, hoteles, negocios comerciales u otras instalaciones públicas.

Tanto para las instalaciones del propietario comercial como las del propietario no comercial, las baterías estándar no están incluidas en la garantía. El período de garantía para el Power Pack larga vida PWRX® es 5 años desde la compra inicial.

PARA LAS LLAVES, VÁLVULAS Y CONTROLES ELECTRÓNICOS: American Standard garantiza que sus llaves, válvulas y controles electrónicos están libres de defectos en el material y la mano de obra en condiciones de uso normales durante cinco (5) años desde la compra inicial por el propietario original no comercial.

American Standard brindará, sin cargo, a su criterio exclusivo, refacciones o un producto (o si ya no está disponible, un producto comparable) para reemplazar aquellos que presenten defectos en los materiales o la mano de obra. Para que esta garantía tenga vigencia, debe completarse el proceso de inscripción de la garantía en Internet o por teléfono de conformidad con las instrucciones de inscripción de la garantía.

Debido a que American Standard no puede controlar la calidad de los productos vendidos por vendedores no autorizados, esta garantía se aplica a productos de American Standard que fueron comprados a American Standard o a un vendedor autorizado de American Standard, salvo que la ley estipule lo contrario. American Standard se reserva el derecho de rechazar reclamos de garantía de compradores que compraron productos a vendedores no autorizados, incluidos sitios de Internet no autorizados.

Esta garantía no cubre los cargos por mano de obra en los que se incurra y/o los daños de la instalación, la reparación o el reemplazo, así como tampoco los daños y perjuicios incidentales o emergentes. Esta garantía tiene vigencia para todas las llaves vendidas después del 1 de julio de 2020.

AMERICAN STANDARD EXCLUYE POR LA PRESENTE LOS DAÑOS Y PERJUICIOS ESPECIALES, INCIDENTALES Y EMERGENTES POR CUALQUIER INCUMPLIMIENTO DE CUALQUIER GARANTÍA EXPRESA O IMPLÍCITA APLICABLE A ESTE PRODUCTO. Algunos estados no permiten la exclusión o limitación de los daños y perjuicios incidentales o emergentes, por lo cual las limitaciones y exclusiones anteriores podrán no aplicarse. CUALQUIER GARANTÍA IMPLÍCITA, INCLUIDAS LAS DE COMERCIABILIDAD O APTITUD PARA UN FIN DETERMINADO, TIENE UNA DURACIÓN LIMITADA A LA DURACIÓN DE ESTA GARANTÍA. Algunos estados no permiten limitaciones a la duración de una garantía implícita, por lo cual esta limitación podría no aplicarse a su caso.

Esta garantía le otorga derechos legales específicos, y también podrá tener otros derechos que varían según el estado.

### ESTADOS UNIDOS

American Standard Brands  
30 Knightsbridge Rd Suite 301,  
Piscataway, NJ 08854

A la atención de: Director de servicio al cliente  
Para residentes en Estados Unidos, también se puede obtener información sobre la garantía llamando al siguiente número gratuito: (800) 442-1902  
[www.americanstandard.com](http://www.americanstandard.com)

### CANADÁ

LIXIL Canada, Inc.  
5900 Avebury Rd.  
Mississauga, Ontario  
Canada L5R 3M3  
Número gratuito: (800) 387-0369  
[www.americanstandard.ca](http://www.americanstandard.ca)

### MÉXICO

American Standard B&K Mexico  
S. de R.L. de C.V.  
Via Morelos #330  
Col. Santa Clara  
Ecatepec 55540 Edo. México  
Número gratuito: 01-800-839-1200  
[www.americanstandard.com.mx](http://www.americanstandard.com.mx)

### COMPLETE EL PROCESO DE INSCRIPCIÓN DE LA GARANTÍA DE AMERICAN STANDARD Y GUARDE ESTA INFORMACIÓN SOBRE LA GARANTÍA

**IMPORTANTE:** Debe realizar la inscripción del inodoro para que esta garantía tenga vigencia. Gracias a su inscripción, será más fácil contactarlo en caso de una retirada del producto del mercado.\*

**INSTRUCCIONES:** Registre su válvulas de descarga en [www.americanstandard.com](http://www.americanstandard.com). Guarde el comprobante de compra (recibo de compra).

Si necesita asistencia o no puede acceder a nuestro sitio web, comuníquese con la Atención al Cliente de American Standard llamando al: (800) 442-1902.

\* En California, sus derechos de garantía permanecen intactos aunque no complete el proceso de inscripción.

**ESTA GARANTÍA NO ES TRANSFERIBLE DEL COMPRADOR CONSUMIDOR ORIGINAL.**

*American Standard*

# ¡CUÉNTENOS LO QUE PIENSA!

★ Déjenos una reseña del producto o comentarios en [at americanstandard.com/reviews](https://www.americanstandard.com/reviews)



## Recomendaría este producto

Más de 100 inodoros de este tipo instalados. 207960537

Trabajo para Paramount Picture Studios en el departamento de plomería. Hemos utilizados estos inodoros durante los últimos 4 años, reemplazando los inodoros 1.6GPH más antiguos o de mayor uso por este modelo Champion Pro. Incluso con el uso intenso, estos han afrontado la prueba y tenido un desempeño increíble.

Registre su garantía e inscribáse para recibir un boletín informativo lleno de ideas en [americanstandard.com/warranty](https://www.americanstandard.com/warranty).

Encuentre video de instalación en [youtube.com/americanstandard](https://www.youtube.com/americanstandard).

## 📌 ¡COMPARTA SU NUEVO PRODUCTO!

Etiquétenos en [@american\\_standard](https://www.instagram.com/american_standard) en Instagram y muéstranos cómo se ven sus nuevos productos.

## ☰ ¿QUIERE RECIBIR MÁS INFORMACIÓN?

Para preguntas o ayuda, llámenos al **855-815-0004**, o visite [americanstandard.com](https://www.americanstandard.com)