



SERVICE PARTS LIST

BULLETIN NO.
54-06-1108

SPECIFY CATALOG NO. AND SERIAL NO. WHEN ORDERING PARTS			REVISED BULLETIN	DATE
REDLITHIUM™ USB 400L Neck Light				Mar. 2022
CATALOG NO.	2117-20	STARTING SERIAL NO.	WIRING INSTRUCTION	
		N15A		

EXAMPLE:

00	0
----	---

 Component Parts (Small #) Are Included
 When Ordering The Assembly (Large #).

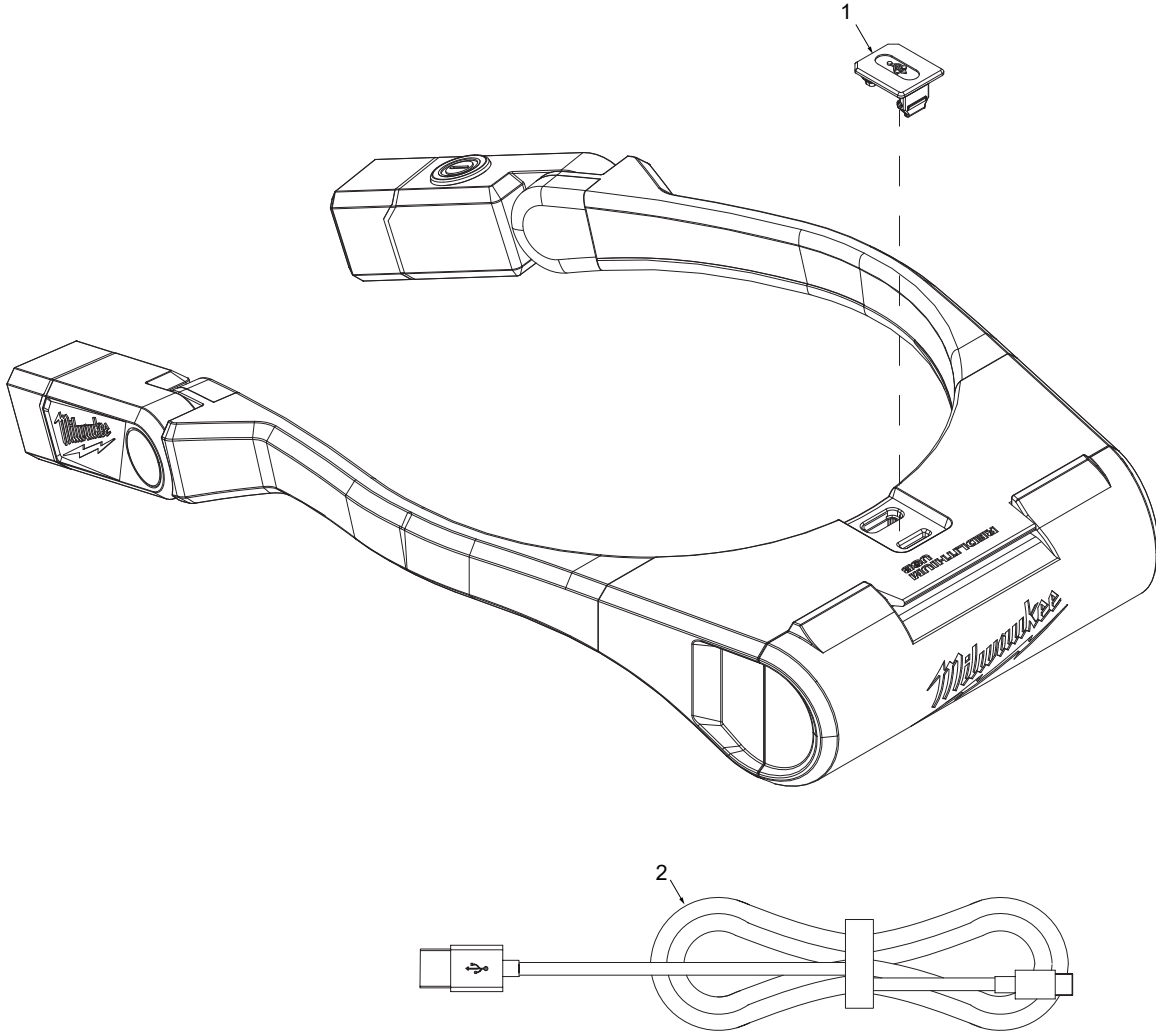


FIG.	PART NO.	DESCRIPTION OF PART	NO. REQ.
1	31-15-2008	USB Port Cover	(1)
2	42-44-1210	2' USB-C Cable (Optional)	(1)
3	12-20-2117	Service Nameplate (not shown)	(1)