



ICON E™ RESIDENTIAL ELECTRIC REPLACEMENT PARTS LIST

Upright and Lowboy Models



Models Covered:

ERE130L
ERE(230, 240, 250)S
ERE(330, 340, 350)S
ERE(250, 255)T
ERE340T
ERE240L
ERE(230, 240, 250)LN

Effective: January, 2023

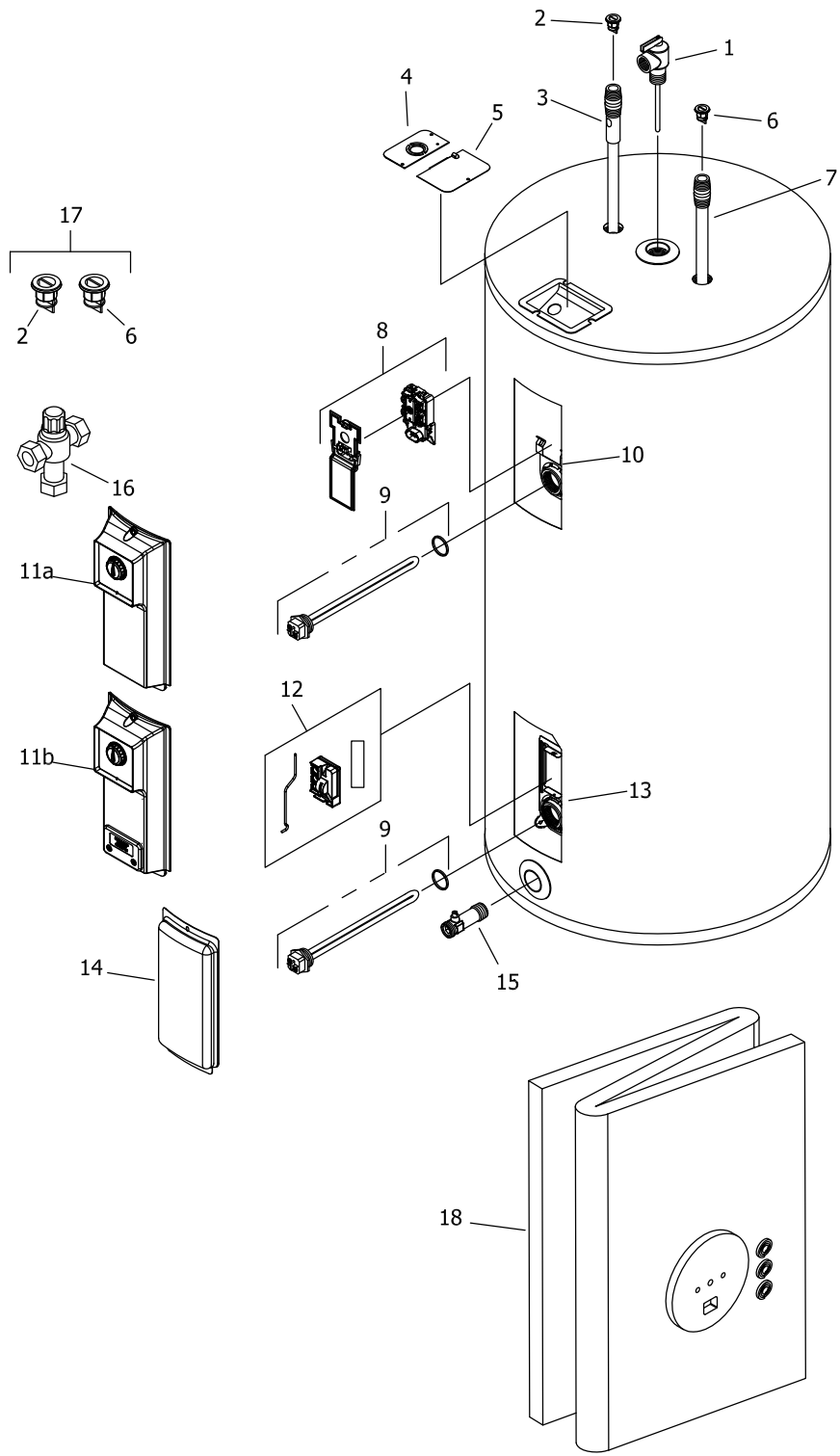
ECO 8248-3

NOTE: BOTH MODEL AND SERIAL
NUMBERS ARE REQUIRED FOR
ORDERING REPLACEMENT PARTS

Dimensions and specifications
subject to change without notice.



As required by the state of California Proposition 65.



Item	Description	Model	Model	Model
		ERE230S	ERE240S	ERE250S
1	T&P Relief Valve	230-40594-02	230-40594-02	230-40594-02
2	Heat Trap Insert (Outlet)	239-45167-00	239-45167-00	239-45167-00
3	Hot Water Outlet Anode (Magnesium) ♦#	224-47776-19	224-47776-19	224-47776-19
	Hot Water Outlet Anode (Aluminum) ♦#	224-32999-28	224-32999-28	224-32999-28
	Hot Water Outlet Anode (A420 Aluminum) ♦#	224-49560-10	224-49560-10	224-49560-10
4	Cover Conduit/Ground	243-39451-00	243-39451-00	243-39451-00
5	Cover Junction Box	243-39452-00	243-39452-00	243-39452-00
6	Heat Trap Insert (Inlet)	239-51556-00	239-51556-00	239-51556-00
7	Cold Water Inlet Tube PEX ♦♦	229-51230-21	229-51230-21	229-51230-21
8	High Limit w/ Protector	415-54111-00	415-54111-00	415-54111-00
9	Heating Element 240V 4500W w/ Gasket μ	415-48642-00	415-48642-00	415-48642-00
10	Thermostat Mounting Bracket	415-50689-00	415-50689-00	415-50689-00
11a	Controller Cover Assembly	415-54152-01	415-54152-01	415-54152-01
12	Power Switch Module (PSM) Kit	415-54581-00	415-54581-00	415-54581-00
13	PSM Mouting Bracket	239-54077-00	239-54077-00	239-54077-00
14	Access Cover	243-36618-02	243-36618-02	243-36618-02
15	Drain Valve	265-51684-01	265-51684-01	265-51684-01
16	ASSE Approved Mixing Valve	239-51778-00	239-51778-00	239-51778-00
17	Kit-Heat Trap Insert (PEX)	265-51572-00	265-51572-00	265-51572-00
18	Blanket Kit	239-50210-01	239-50210-01	239-50210-02

Item	Description	Model	Model	Model
		ERE230S%-CTA	ERE240S%-CTA	ERE250S%-CTA
1	T&P Relief Valve	230-40594-02	230-40594-02	230-40594-02
2	Heat Trap Insert (Outlet)	239-45167-00	239-45167-00	239-45167-00
3	Hot Water Outlet Anode (Magnesium) ♦#	224-47776-19	224-47776-19	224-47776-19
	Hot Water Outlet Anode (Aluminum) ♦#	224-32999-28	224-32999-28	224-32999-28
	Hot Water Outlet Anode (A420 Aluminum) ♦#	224-49560-10	224-49560-10	224-49560-10
4	Cover Conduit/Ground	243-39451-00	243-39451-00	243-39451-00
5	Cover Junction Box	243-39452-00	243-39452-00	243-39452-00
6	Heat Trap Insert (Inlet)	239-51556-00	239-51556-00	239-51556-00
7	Cold Water Inlet Tube PEX ♦♦	229-51230-21	229-51230-21	229-51230-21
8	High Limit w/ Protector	415-54111-00	415-54111-00	415-54111-00
9	Heating Element 240V 4500W w/ Gasket μ	415-48642-00	415-48642-00	415-48642-00
10	Thermostat Mounting Bracket	415-50689-00	415-50689-00	415-50689-00
11b	Controller Cover Assembly	415-54579-01	415-54579-01	415-54579-01
12	Power Switch Module (PSM) Kit	415-54581-00	415-54581-00	415-54581-00
13	PSM Mouting Bracket	239-54077-00	239-54077-00	239-54077-00
14	Access Cover	243-36618-02	243-36618-02	243-36618-02
15	Drain Valve	265-51684-01	265-51684-01	265-51684-01
16	ASSE Approved Mixing Valve	239-51778-00	239-51778-00	239-51778-00
17	Kit-Heat Trap Insert (PEX)	265-51572-00	265-51572-00	265-51572-00
18	Blanket Kit	239-50210-01	239-50210-01	239-50210-02

♦ Order with item 2.

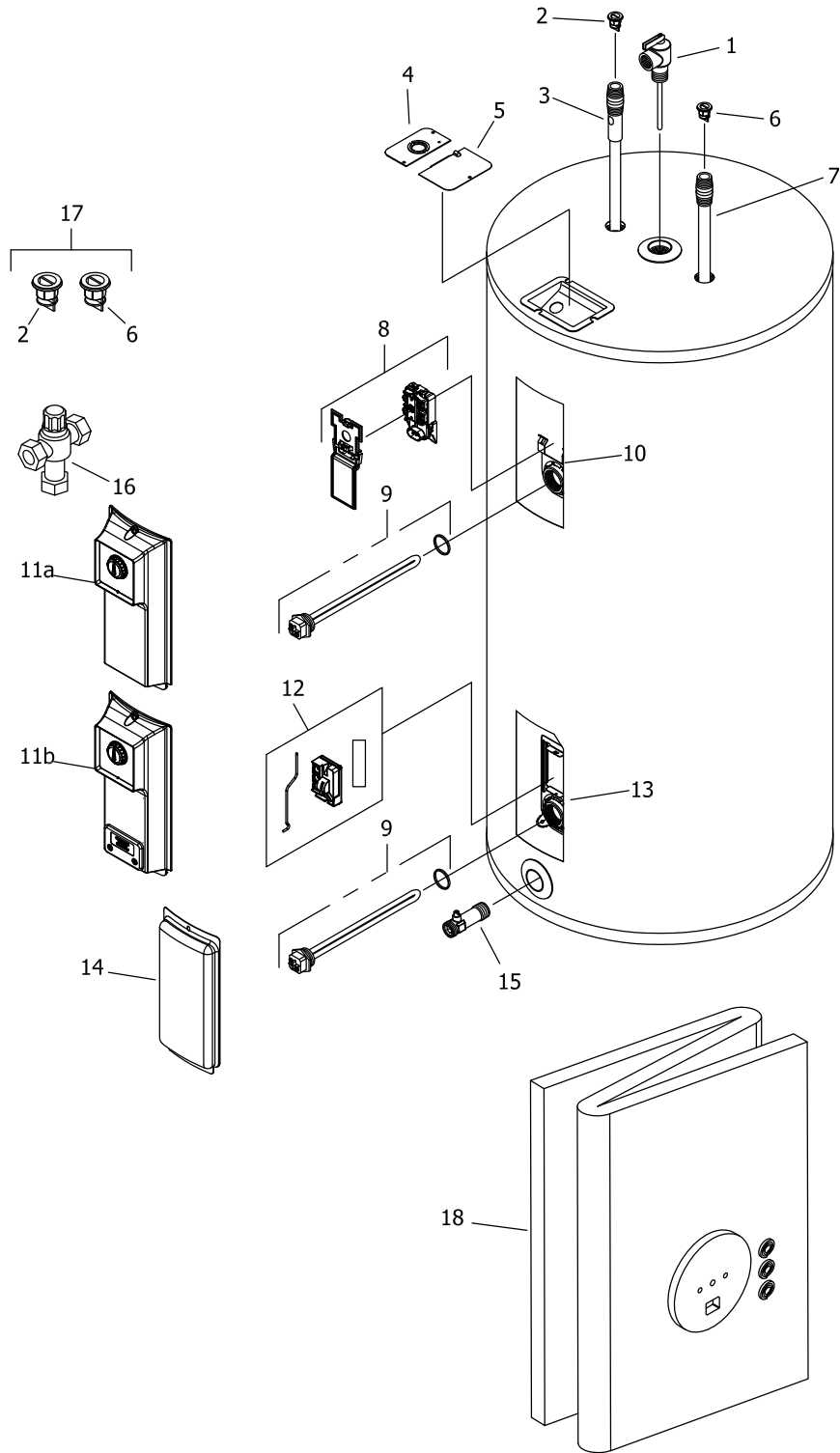
♦♦ Order with item 6.

▲ Thermostat protector provided with thermostat. The thermostat mounting bracket is also provided with the thermostat.

μ For other voltage and wattage combinations, refer to heating elements on page 14 & 15.

■ Upper and lower thermostats are packaged together.

Anode may need to be cut to length, please see page 16 for reference chart of anode length by model.



Item	Description	Model	Model	Model
		ERE330S	ERE340S	ERE350S
1	T&P Relief Valve	230-40594-02	230-40594-02	230-40594-02
2	Heat Trap Insert (Outlet)	239-45167-00	239-45167-00	239-45167-00
3	Hot Water Outlet Anode (Magnesium) ♦#	224-47776-19	224-47776-19	224-47776-19
	Hot Water Outlet Anode (Aluminum) ♦#	224-32999-28	224-32999-28	224-32999-28
	Hot Water Outlet Anode (A420 Aluminum) ♦#	224-49560-10	224-49560-10	224-49560-10
4	Cover Conduit/Ground	243-39451-00	243-39451-00	243-39451-00
5	Cover Junction Box	243-39452-00	243-39452-00	243-39452-00
6	Heat Trap Insert (Inlet)	239-51556-00	239-51556-00	239-51556-00
7	Cold Water Inlet Tube PEX ♦♦	229-51230-21	229-51230-21	229-51230-21
8	High Limit w/ Protector	415-54111-00	415-54111-00	415-54111-00
9	Heating Element 240V 4500W w/ Gasket μ	415-48642-00	415-48642-00	415-48642-00
10	Thermostat Mounting Bracket	415-50689-00	415-50689-00	415-50689-00
11a	Controller Cover Assembly	415-54152-01	415-54152-01	415-54152-01
12	Power Switch Module (PSM) Kit	415-54581-00	415-54581-00	415-54581-00
13	PSM Mouting Bracket	239-54077-00	239-54077-00	239-54077-00
14	Access Cover	243-36618-02	243-36618-02	243-36618-02
15	Drain Valve	265-51684-02	265-51684-02	265-51684-02
16	ASSE Approved Mixing Valve	239-51778-00	239-51778-00	239-51778-00
17	Kit-Heat Trap Insert (PEX)	265-51572-00	265-51572-00	265-51572-00
18	Blanket Kit	---	---	---

Item	Description	Model	Model	Model
		ERE330S%-CTA	ERE340S%-CTA	ERE350S%-CTA
1	T&P Relief Valve	230-40594-02	230-40594-02	230-40594-02
2	Heat Trap Insert (Outlet)	239-45167-00	239-45167-00	239-45167-00
3	Hot Water Outlet Anode (Magnesium) ♦#	224-47776-19	224-47776-19	224-47776-19
	Hot Water Outlet Anode (Aluminum) ♦#	224-32999-28	224-32999-28	224-32999-28
	Hot Water Outlet Anode (A420 Aluminum) ♦#	224-49560-10	224-49560-10	224-49560-10
4	Cover Conduit/Ground	243-39451-00	243-39451-00	243-39451-00
5	Cover Junction Box	243-39452-00	243-39452-00	243-39452-00
6	Heat Trap Insert (Inlet)	239-51556-00	239-51556-00	239-51556-00
7	Cold Water Inlet Tube PEX ♦♦	229-51230-21	229-51230-21	229-51230-21
8	High Limit w/ Protector	415-54111-00	415-54111-00	415-54111-00
9	Heating Element 240V 4500W w/ Gasket μ	415-48642-00	415-48642-00	415-48642-00
10	Thermostat Mounting Bracket	415-50689-00	415-50689-00	415-50689-00
11b	Controller Cover Assembly	415-54579-01	415-54579-01	415-54579-01
12	Power Switch Module (PSM) Kit	415-54581-00	415-54581-00	415-54581-00
13	PSM Mouting Bracket	239-54077-00	239-54077-00	239-54077-00
14	Access Cover	243-36618-02	243-36618-02	243-36618-02
15	Drain Valve	265-51684-02	265-51684-02	265-51684-02
16	ASSE Approved Mixing Valve	239-51778-00	239-51778-00	239-51778-00
17	Kit-Heat Trap Insert (PEX)	265-51572-00	265-51572-00	265-51572-00
18	Blanket Kit	---	---	---

♦ Order with item 2.

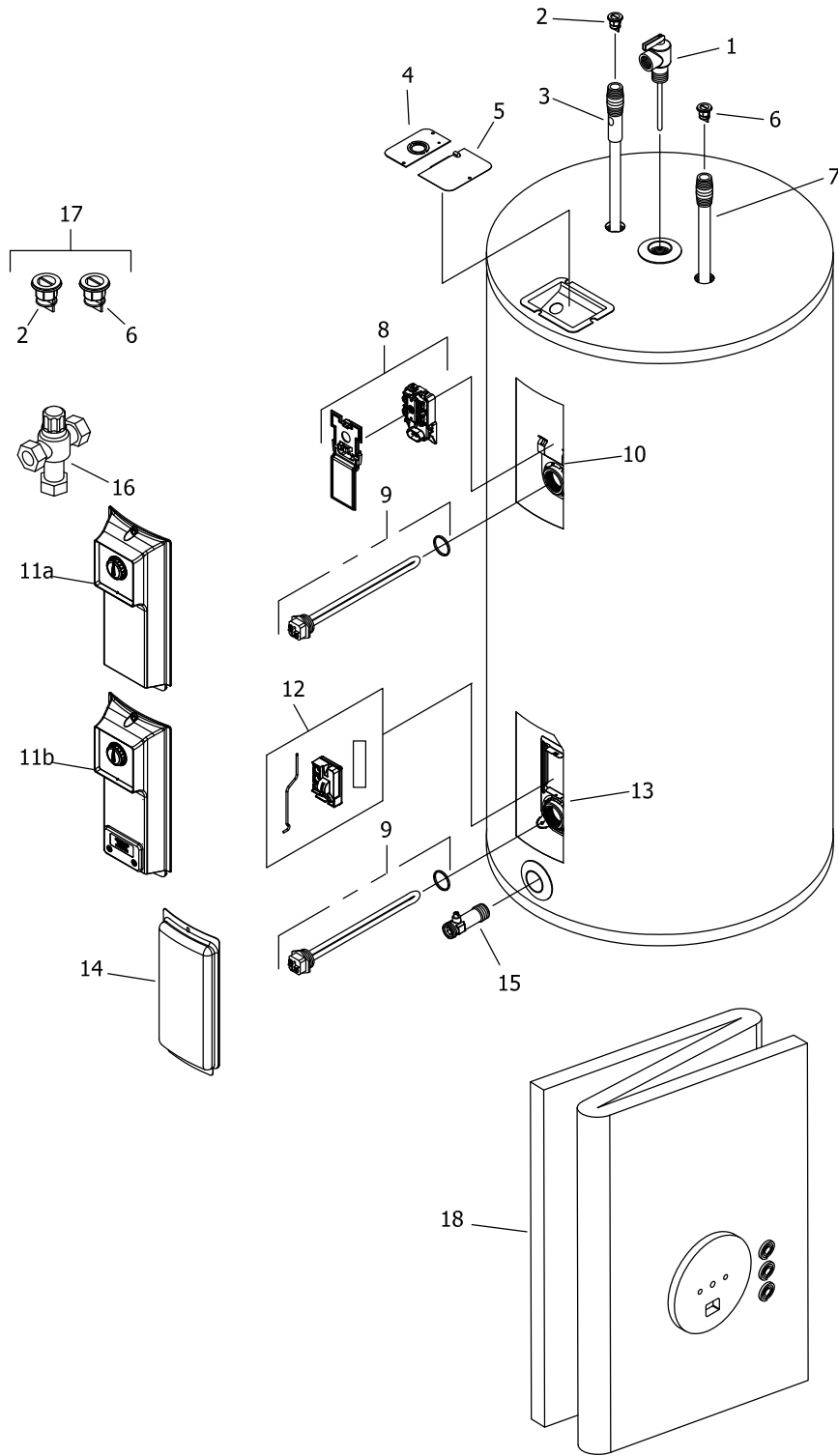
♦♦ Order with item 6.

▲ Thermostat protector provided with thermostat. The thermostat mounting bracket is also provided with the thermostat.

μ For other voltage and wattage combinations, refer to heating elements on page 14 & 15.

■ Upper and lower thermostats are packaged together.

Anode may need to be cut to length, please see page 16 for reference chart of anode length by model.



Item	Description	Model ERE340T
1	T&P Relief Valve	230-40594-02
2	Heat Trap Insert (Outlet)	239-45167-00
3	Hot Water Outlet Anode (Magnesium) ♦#	224-47776-19
	Hot Water Outlet Anode (Aluminum) ♦#	224-32999-28
	Hot Water Outlet Anode (A420 Aluminum) ♦#	224-49560-10
4	Cover Conduit/Ground	243-39451-00
5	Cover Junction Box	243-39452-00
6	Heat Trap Insert (Inlet)	239-51556-00
7	Cold Water Inlet Tube PEX ♦♦	229-51230-28
8	High Limit w/ Protector	415-54111-00
9	Heating Element 240V 4500W w/ Gasket μ (qty 2)	415-48642-00
10	Thermostat Mounting Bracket	415-50689-00
11a	Controller Cover Assembly	415-54152-01
12	Power Switch Module (PSM) Kit	415-54581-00
13	PSM Mouting Bracket	239-54077-00
14	Access Cover	243-36618-02
15	Brass Drain Valve	265-51684-02
16	ASSE Approved Mixing Valve	239-51778-00
17	Kit-Heat Trap Insert (PEX)	265-51572-00
18	Blanket Kit	---

Item	Description	
1	T&P Relief Valve	230-40594-02
2	Heat Trap Insert (Outlet)	239-45167-00
3	Hot Water Outlet Anode (Magnesium) ♦#	224-47776-19
	Hot Water Outlet Anode (Aluminum) ♦#	224-32999-28
	Hot Water Outlet Anode (A420 Aluminum) ♦#	224-49560-10
4	Cover Conduit/Ground	243-39451-00
5	Cover Junction Box	243-39452-00
6	Heat Trap Insert (Inlet)	239-51556-00
7	Cold Water Inlet Tube PEX ♦♦	229-51230-28
8	High Limit w/ Protector	415-54111-00
9	Heating Element 240V 4500W w/ Gasket μ (qty 2)	415-48642-00
10	Thermostat Mounting Bracket	415-50689-00
11b	Controller Cover Assembly	415-54579-01
12	Power Switch Module (PSM) Kit	415-54581-00
13	PSM Mouting Bracket	239-54077-00
14	Access Cover	243-36618-02
15	Brass Drain Valve	265-51684-02
16	ASSE Approved Mixing Valve	239-51778-00
17	Kit-Heat Trap Insert (PEX)	265-51572-00
18	Blanket Kit	---

♦ Order with item 2.

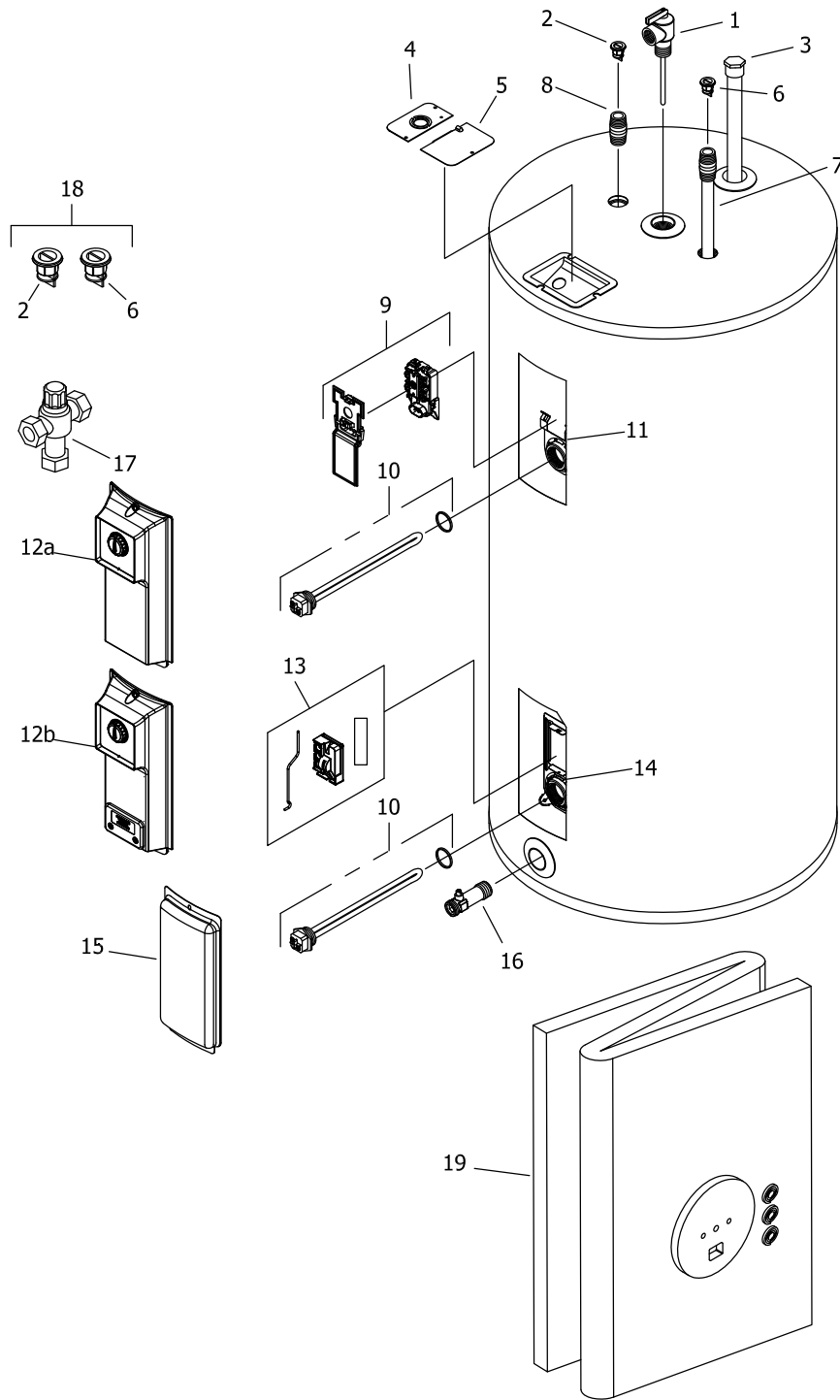
♦♦ Order with item 6.

▲ Thermostat protector provided with thermostat. The thermostat mounting bracket is also provided with the thermostat.

μ For other voltage and wattage combinations, refer to heating elements on page 14 & 15.

■ Upper and lower thermostats are packaged together.

Anode may need to be cut to length, please see page 16 for reference chart of anode length by model.



Item	Description	Model	Model
		ERE250T	ERE250T%-CTA
1	T&P Relief Valve	230-40594-02	230-40594-02
2	Heat Trap Insert (Outlet)	239-45167-00	239-45167-00
3	Hot Water Outlet Anode (Magnesium) ♦#	---	---
	Hot Water Outlet Anode (Aluminum) ♦#	---	---
	Hex head Sacrificial Anode (Aluminum) ♦#	224-38508-07	224-38508-07
	Hot Water Outlet Anode (A420 Aluminum) ♦#	---	---
4	Cover Conduit/Ground	243-39451-00	243-39451-00
5	Cover Junction Box	243-39452-00	243-39452-00
6	Heat Trap Insert (Inlet)	239-51556-00	239-51556-00
7	Cold Water Inlet Tube PEX ♦♦	229-51718-05	229-51718-05
8	Nipple outlet	229-50053-06	229-50053-06
9	High Limit w/ Protector	415-54111-00	415-54111-00
10	Heating Element 240V 4500W w/ Gasket μ (qty 2)	415-48642-00	415-48642-00
11	Thermostat Mounting Bracket	415-50689-00	415-50689-00
12a	Controller Cover Assembly	415-54152-01	---
12b	Controller Cover Assembly	---	415-54579-01
13	Power Switch Module (PSM) Kit	415-54581-00	415-54581-00
14	PSM Mounting Bracket	239-54077-00	239-54077-00
15	Access Cover	243-36618-02	243-36618-02
16	Brass Drain Valve	265-51684-01	265-51684-01
17	ASSE Approved Mixing Valve	239-51778-00	239-51778-00
18	Kit-Heat Trap Insert (PEX)	265-51572-00	265-51572-00
19	Blanket Kit	---	---

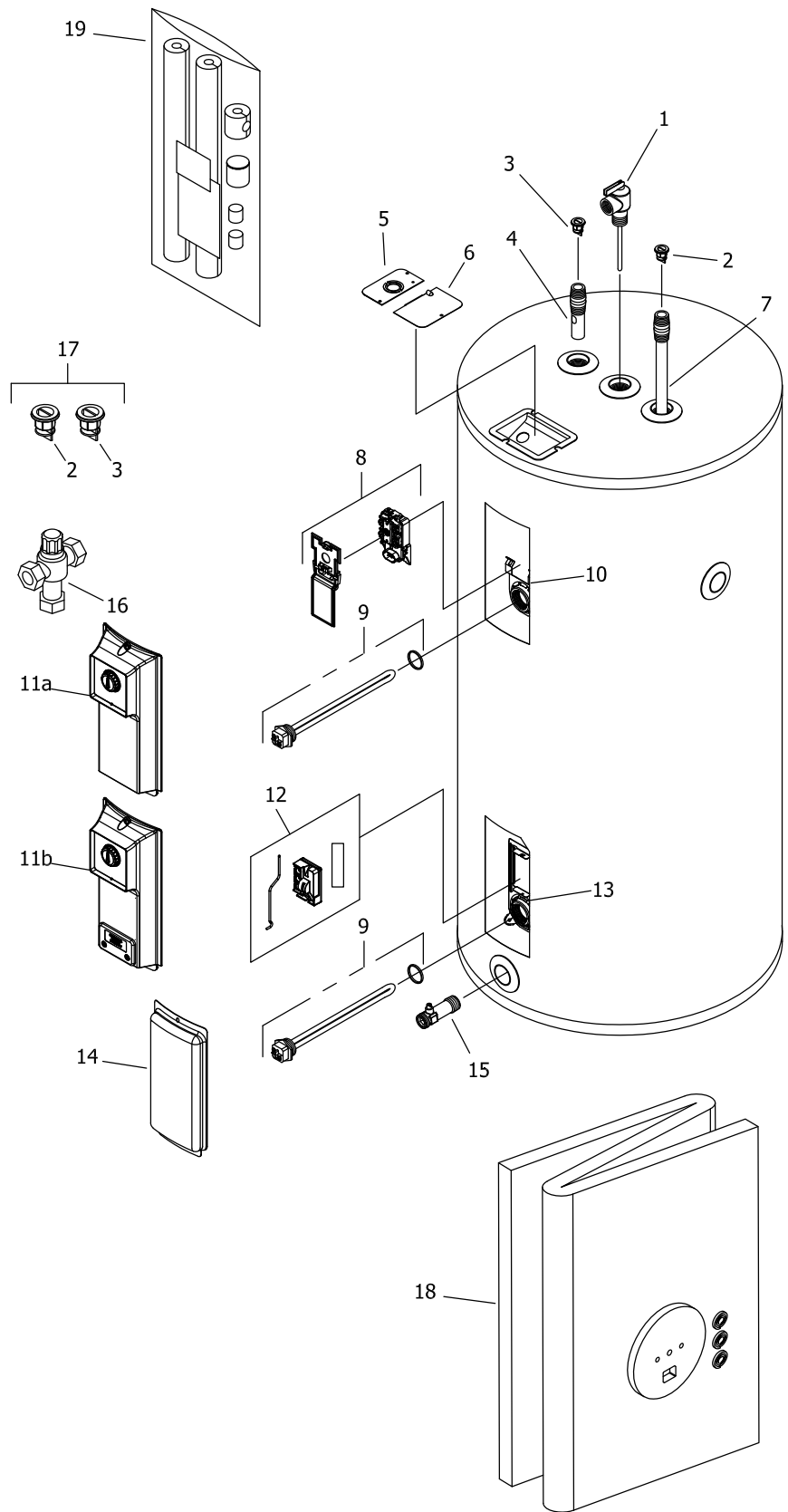
♦ Order with item 2.

♦♦ Order with item 6.

▲ Thermostat protector provided with thermostat. The thermostat mounting bracket is also provided with the thermostat.
μ For other voltage and wattage combinations, refer to heating elements on page 14 & 15.

■ Upper and lower thermostats are packaged together.

Anode may need to be cut to length, please see page 16 for reference chart of anode length by model.



Item	Description	Model	Model
		ERE240L%-CTA	ERE240L%-CTA
1	T&P Relief Valve	230-40594-02	230-40594-02
2	Heat Trap Insert (Inlet)	239-51556-00	239-51556-00
3	Heat Trap Insert (Outlet)	239-45167-00	239-45167-00
4	Hot Water Outlet Anode (Magnesium) ♦#	224-47776-19	224-47776-19
	Hot Water Outlet Anode (Aluminum) ♦#	224-32999-28	224-32999-28
	Hot Water Outlet Anode (A420 Aluminum) ♦#	224-49560-10	224-49560-10
5	Cover Conduit/Ground	243-39451-00	243-39451-00
6	Cover Junction Box	243-39452-00	243-39452-00
7	Cold Water Inlet Tube Pex ♦♦	229-51230-27	229-51230-27
8	High Limit w/ Protector	415-54111-00	415-54111-00
9	Heating Element 240V 4500W w/ Gasket (qty 2)	415-48642-00	415-48642-00
10	Thermostat Mounting Bracket	415-50689-00	415-50689-00
11a	Controller Cover Assembly	---	---
11b	Controller Cover Assembly	415-54579-01	415-54579-01
12	Power Switch Module (PSM) Kit	415-54581-00	415-54581-00
13	PSM Mounting Bracket	239-54077-00	239-54077-00
14	Access Cover	243-36618-02	243-36618-02
15	Drain Valve	265-51684-01	265-51684-01
16	ASSE Approved Mixing Valve	239-51778-00	239-51778-00
17	Kit-Heat Trap Insert (PEX)	265-51572-00	265-51572-00
18	Blanket Kit	239-50210-04	239-50210-04
19	Insulation Kit	239-48949-00	239-48949-00

♦ Order with item 2.

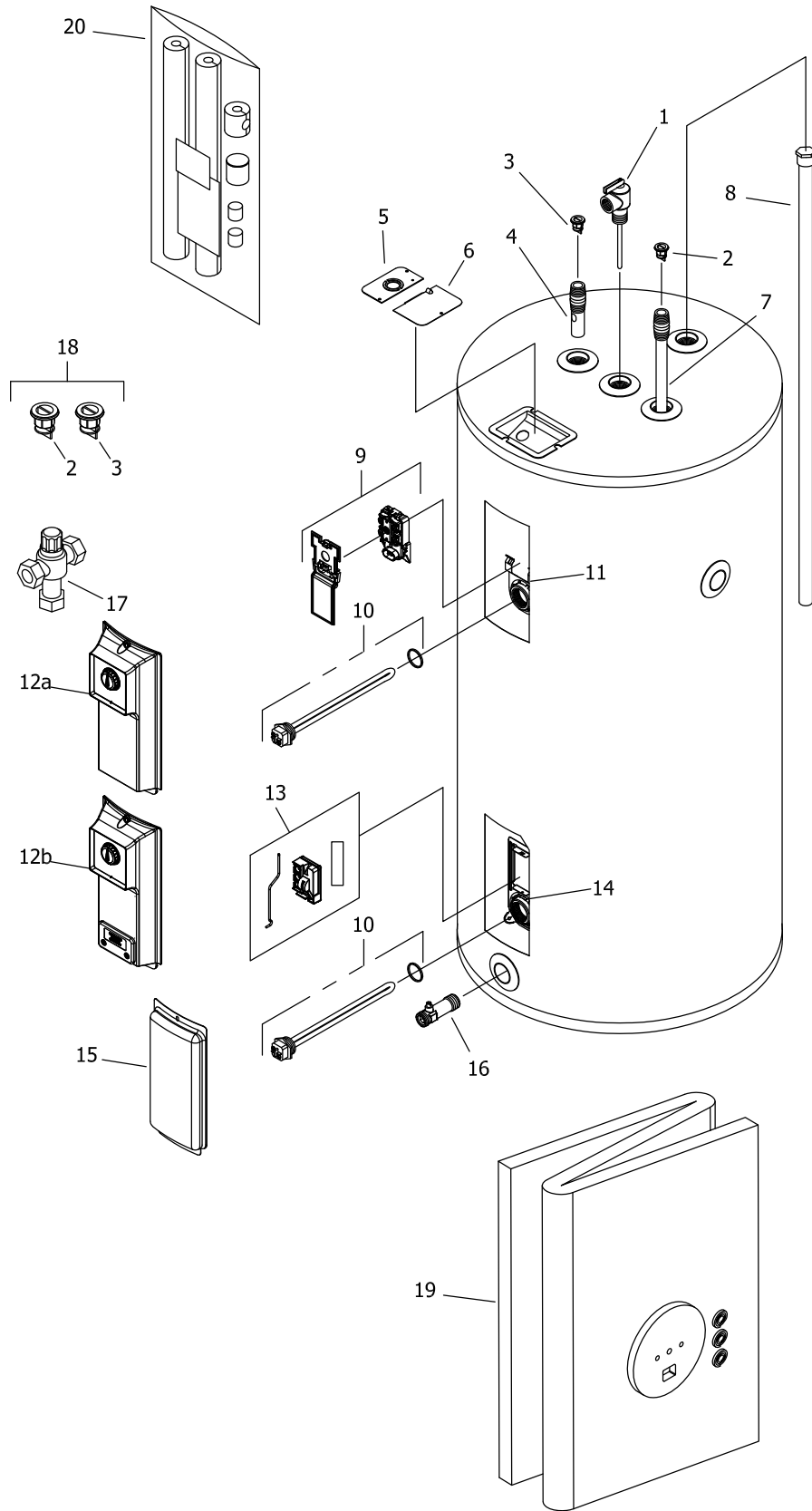
♦♦ Order with item 6.

▲ Thermostat protector provided with thermostat. The thermostat mounting bracket is also provided with the thermostat.

μ For other voltage and wattage combinations, refer to heating elements on page 14 & 15.

■ Upper and lower thermostats are packaged together.

Anode may need to be cut to length, please see page 16 for reference chart of anode length by model.



Item	Description	Model	Model	Model	Model	Model
		ERE130L	ERE230LN	ERE240LN	ERE250LN	ERE255T
1	T&P Relief Valve	230-40594-02	230-40594-02	230-40594-02	230-40594-02	230-40594-04
2	Heat Trap Insert (Inlet)	239-51556-00	239-51556-00	239-51556-00	239-51556-00	239-51556-00
3	Heat Trap Insert (Outlet)	239-51556-00	239-51556-00	239-51556-00	239-51556-00	239-45167-00
4	Hot Water Outlet Device ♦	229-51995-00	229-51995-00	229-51858-00	229-51858-00	229-50053-06
5	Cover Conduit/Ground	243-39451-00	243-39451-00	243-39451-00	243-39451-00	243-39451-00
6	Cover Junction Box	243-39452-00	243-39452-00	243-39452-00	243-39452-00	243-39452-00
7	Cold Water Inlet Tube PEX ♦	229-51718-03	229-51718-03	229-52007-01	229-51718-02	229-51718-05
8	Hex head Sacrificial Anode (Magnesium) #	224-47782-08	224-47782-08	224-47782-08	224-47782-08	224-47782-08
	Hex head Sacrificial Anode (Aluminum) #	224-38508-10	224-38508-10	224-38508-10	224-38508-10	224-38508-10
	Hex head Sacrificial Anode (A420 Aluminum) #	224-49559-04	224-49559-04	224-49559-04	224-49559-04	224-49559-04
9	High Limit w/ Protector	415-54111-00	415-54111-00	415-54111-00	415-54111-00	415-54111-00
10	Heating Element 240V 4500W w/ Gasket μ (qty 2)	415-42544-08	415-42544-08	415-48642-00	415-48642-00	415-48642-00
11	Thermostat Mounting Bracket	415-50689-00	415-50689-00	415-50689-00	415-50689-00	415-50689-00
12a	Controller Cover Assembly	415-54152-01	415-54152-01	415-54152-01	415-54152-01	415-54152-01
13	Power Switch Module (PSM) Kit	415-54581-00	415-54581-00	415-54581-00	415-54581-00	415-54581-00
14	PSM Mounting bracket	239-54077-00	239-54077-00	239-54077-00	239-54077-00	239-54077-00
15	Access Cover	243-36618-02	243-36618-02	243-36618-02	243-36618-02	243-36618-02
16	Brass Drain Valve	265-42351-02	265-51684-02	265-51684-02	265-51684-01	265-51684-02
17	ASSE Approved Mixing Valve	239-51778-00	239-51778-00	239-51778-00	239-51778-00	239-51778-00
18	Kit-Heat Trap Insert (PEX)	265-51875-00	265-51875-00	265-51875-00	265-51875-00	265-51572-00
19	Blanket Kit	239-50210-06	---	---	---	---
20	Insulation Kit	239-48949-00	239-48949-00	239-48949-00	239-48949-00	---

Item	Description	Model	Model	Model	Model	Model
		ERE130L%-CTA	ERE230LN%-CTA	ERE240LN%-CTA	ERE250LN%-CTA	ERE255T%-CTA
1	T&P Relief Valve	230-40594-02	230-40594-02	230-40594-02	230-40594-02	230-40594-04
2	Heat Trap Insert (Inlet)	239-51556-00	239-51556-00	239-51556-00	239-51556-00	239-51556-00
3	Heat Trap Insert (Outlet)	239-51556-00	239-51556-00	239-51556-00	239-51556-00	239-45167-00
4	Hot Water Outlet Device ♦	229-51995-00	229-51995-00	229-51858-00	229-51858-00	229-50053-06
5	Cover Conduit/Ground	243-39451-00	243-39451-00	243-39451-00	243-39451-00	243-39451-00
6	Cover Junction Box	243-39452-00	243-39452-00	243-39452-00	243-39452-00	243-39452-00
7	Cold Water Inlet Tube PEX ♦	229-51718-03	229-51718-03	229-52007-01	229-51718-02	229-51718-05
8	Hex head Sacrificial Anode (Magnesium) #	224-47782-08	224-47782-08	224-47782-08	224-47782-08	224-47782-08
	Hex head Sacrificial Anode (Aluminum) #	224-38508-10	224-38508-10	224-38508-10	224-38508-10	224-38508-10
	Hex head Sacrificial Anode (A420 Aluminum) #	224-49559-04	224-49559-04	224-49559-04	224-49559-04	224-49559-04
9	High Limit w/ Protector	415-54111-00	415-54111-00	415-54111-00	415-54111-00	415-54111-00
10	Heating Element 240V 4500W w/ Gasket μ (qty 2)	415-42544-08	415-42544-08	415-48642-00	415-48642-00	415-48642-00
11	Thermostat Mounting Bracket	415-50689-00	415-50689-00	415-50689-00	415-50689-00	415-50689-00
12b	Controller Cover Assembly	415-54579-01	415-54579-01	415-54579-01	415-54579-01	415-54579-01
13	Power Switch Module (PSM) Kit	415-54581-00	415-54581-00	415-54581-00	415-54581-00	415-54581-00
14	PSM Mounting bracket	239-54077-00	239-54077-00	239-54077-00	239-54077-00	239-54077-00
15	Access Cover	243-36618-02	243-36618-02	243-36618-02	243-36618-02	243-36618-02
16	Brass Drain Valve	265-42351-02	265-51684-02	265-51684-02	265-51684-01	265-51684-02
17	ASSE Approved Mixing Valve	239-51778-00	239-51778-00	239-51778-00	239-51778-00	239-51778-00
18	Kit-Heat Trap Insert (PEX)	265-51875-00	265-51875-00	265-51875-00	265-51875-00	265-51572-00
19	Blanket Kit	239-50210-06	---	---	---	---
20	Insulation Kit	239-48949-00	239-48949-00	239-48949-00	239-48949-00	---

♦ Order with item 2.

▲ Thermostat protector provided with thermostat. The thermostat mounting bracket is also provided with the thermostat.

μ For other voltage and wattage combinations, refer to heating elements on page 14 & 15.

■ Upper and lower thermostats are packaged together.

Anode may need to be cut to length, please see page 16 for reference chart of anode length by model.

Heating Elements (Copper) for: iCONE Residential Series (ERE)

Wattage	120 Volt	208 Volt	240 Volt
1000W ▲	415-42540-01	415-42544-01	415-42546-01
1250W ▲▲	N/A	N/A	415-42544-13
1500W ▲	415-42540-02	415-42544-03	415-42544-01
1500W (LWD) ▲▲	415-42540-03	N/A	415-42544-02
2000W ▲	415-42540-04	415-42544-04	415-42544-03
2500W ▲	415-42540-05	415-42544-06	415-42544-04
3000W ▲▲	415-42540-07	415-42544-14	415-42544-05
3500W ▲▲▲	N/A	415-42544-08	415-42544-06
3800W ▲▲▲	N/A	N/A	415-42546-10
4000W ▲▲▲	N/A	415-42544-16	415-42544-14
4500W ▲▲▲	N/A	415-42544-12	415-42544-08
4500W (LWD) ▲▲▲	N/A	N/A	N/A
5000W ▲▲▲	N/A	N/A	415-42544-10
5500W ▲▲▲	N/A	N/A	415-42544-16
6000W ▲▲▲	N/A	N/A	415-42544-12
Element gasket ^	223-34019-00	223-34019-00	223-34019-00
Element plug	223-34020-00	223-34020-00	223-34020-00

(LWD) = Low Watt Density

▲ For 12" Diameter tanks and above.

▲▲ For 14" Diameter tanks and above.

* For 16" Diameter tanks and above.

** For 18" Diameter tanks and above.

^ Element gaskets included with elements.

**Heating Elements (Incoloy) for:
iCONE Residential Series (ERE)**

Wattage	120 Volt	208 Volt	240 Volt
1000W ▲	N/A	N/A	415-42547-10
1250W ▲	N/A	N/A	N/A
1500W ▲	415-42541-02	415-42545-02	415-42545-13
1500W (LWD) ▲	N/A	N/A	N/A
2000W ▲	N/A	415-42545-14	415-42545-02
2500W ▲	N/A	415-42545-11	415-42545-14
3000W ▲	N/A	415-42545-12	415-42545-15
3500W ▲▲	N/A	415-41985-10	415-42545-11
3800W ▲▲	N/A	N/A	415-42547-15
4000W ▲▲	N/A	415-42545-17	415-42545-12
4500W ▲▲	N/A	415-42545-19	415-51328-07
4500W (LWD) ▲▲	N/A	N/A	N/A
5000W ▲▲	N/A	415-42543-04	415-42545-18
5500W ▲▲	N/A	415-42543-05	415-42545-17
6000W ▲▲	N/A	415-42543-06	415-42545-19
Element gasket ^	223-34019-00	223-34019-00	223-34019-00
Element plug	223-34020-00	223-34020-00	223-34020-00

(LWD) = Low Watt Density

Element wrench *** 415-35897-12

Adapt-a-flange kit *** 265-36968-12

*** For use with residential, LD, E32, and MII series heating elements only. Not for use with commercial "A" series heating elements.

▲ For 12" Diameter tanks and above.

▲▲ For 14" Diameter tanks and above.

* For 16" Diameter tanks and above.

** For 18" Diameter tanks and above.

^ Element gaskets included with elements.

Reference Chart of Anode Length by Model

Model	AOD Anode Cut Length (End to end)		Hex Head Anode Cut Length (End to end)	
	Inches	Millimeters	Inches	Millimeters
ERE230S	39.13	994	---	---
ERE240S	39.13	994	---	---
ERE250S	39.13	994	---	---
ERE330S	39.13	994	---	---
ERE340S	39.13	994	---	---
ERE350S	39.13	994	---	---
ERE340T	44.63	1133.6	---	---
ERE250T	44.63	1133.6	43.5	1105
ERE255T	---	---	47	1194
ERE240L	27.13	690	---	---
ERE130L	---	---	23	584
ERE230LN	---	---	23	584
ERE240LN	---	---	23	584
ERE250L(N)	---	---	23	584



United States

Sales 800-523-2931

Technical Support 800-334-3393

Email techserv@bradfordwhite.com

Warranty 800-531-2111

Email warranty@bradfordwhite.com

Service Parts 800-538-2020

Email parts@bradfordwhite.com

Canada

Sales & Technical Support 866-690-0961 905-203-0600

Fax 905-636-0666

Warranty bwccwarranty@bradfordwhite.com

Technical Support bwccotech@bradfordwhite.com

Service Parts orders@bradfordwhitecanada.com

Orders ca.orders@bradfordwhite.com

For U.S. and Canada field service,
contact your professional installer or
local Bradford White sales representative.

International

General Contact international@bradfordwhite.com