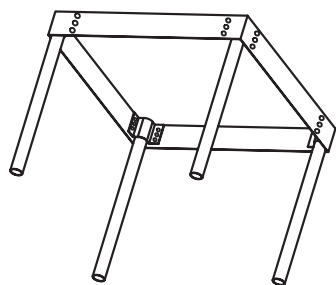
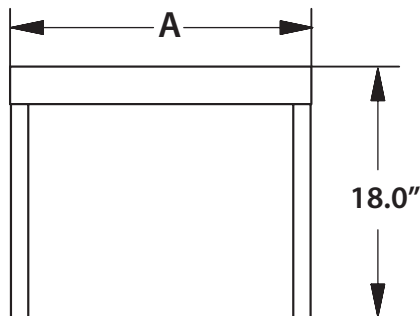
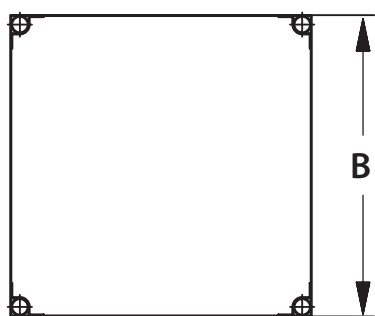




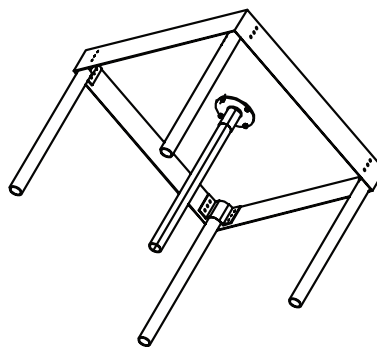
GALVANIZED WATER HEATER STANDS

- Galvanized Steel
- Corrosion resistant
- Quick assembly
- Meets UPC and IPC requirement

PART NO.	A	B	MAX. LOAD
J36206	18.0"	18.0"	2,000 lbs.
J36207	21.5"	21.5"	2,205 lbs.
J36208	24.0"	24.0"	2,300 lbs.
J36209	30.0"	30.0"	2,400 lbs.
J36210	34.0"	34.0"	2,800 lbs.



J36200, J36201, J36202, J36203



J36205