

FULGOR

MILANO

SO FIA

ENDLESS PASSION FOR COOKING

PRO-RANGE 30" - 36" ELECTRIC INDUCTION



INSTALLATION INSTRUCTIONS

INSTRUCTIONS D'INSTALLATION

INSTRUCCIONES PARA LA INSTALACIÓN

Dear Customer,

Thank you for purchasing a Fulgor Milano product. Fulgor Milano is committed to excellence and our signature technologies provide you with professional tools for your kitchen. One of our central philosophies is continuous investment in research that is rooted in developing life enhancing technology. Our goal is to deliver products that are worthy of your family recipes and that will breathe life into your kitchen, the heart of your home. We invite you to enjoy your new Fulgor Milano product with same amount of care and attention that we have put into creating it.

Your Life | Our Passion

Gianni Nencofetti

TABLE OF CONTENTS	PAGE
1 - Special Warnings	2
Before Starting Installation	2
Mobile Home Installation	2
2 - Product Dimensions and Cutout Requirements	3
Anti-Tip Bracket Installation	5
3 - Installation Information	6
4 - Installation Instructions	7
5 - Electrical supply	10
6 - Electrical connections	12
4-wire connection	13
3-wire connection	13
Direct Electrical Connection to the Circuit Breaker, Fuse Box or Junction Box	14
7 - Final checklist	15

IMPORTANT: Save these instructions for the local electrical inspector use.

INSTALLER: Please leave this manual with owner for future reference.

OWNER: Please keep this manual for future reference.

Pay attention to these symbols present in this manual:

DANGER

You can be killed or seriously injured if you don't IMMEDIATELY follow instructions.

WARNING

This is the safety alert symbol. This symbol alerts you to potential hazards that can kill or hurt you and others. You can be killed or seriously injured if you don't follow these instructions.

READ AND SAVE THESE INSTRUCTIONS.

To installer:

Leave these instructions with the appliance.

To customer:

Retain these instructions for future reference.

WARNING

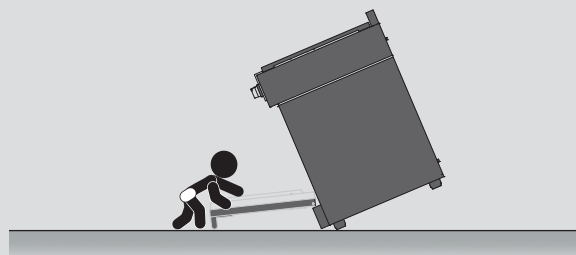
If the information in this manual is not followed exactly, a fire or explosion may resulting in product and property damage and / or personal injury or death.
Do not store or use gasoline or other flammable vapours and liquids in the vicinity of this or any other appliance.

Anti-Tip Bracket Installation

WARNING

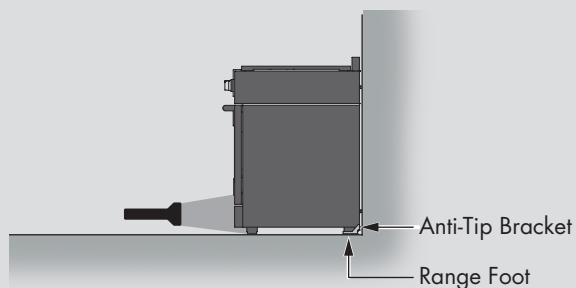
Tip Over Hazard

A child or adult can tip the range and be killed. Ensure the anti-tip bracket is engaged when the range is moved.
Do not operate range without anti-tip bracket installed and engaged.
Failure to follow these instructions can result in death or serious burns to children and adults.



To verify the anti-tip bracket is installed and engaged:

- Slide range forward.
- Look for the anti-tip bracket securely attached to floor or wall.
- Slide range back so rear range foot is under anti-tip bracket.
- See installation instructions for details.





IMPORTANT INSTRUCTION

Special Warnings

Please read all instruction before using this appliance.



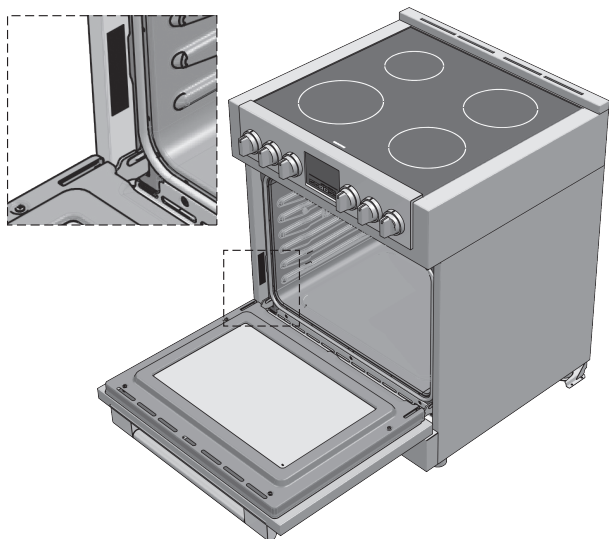
Proper installation is your responsibility. Have a qualified technician install this range.



IMPORTANT

- Observe all governing codes and ordinances.
- Write down the model and serial numbers before installing the range. Both numbers are on the serial rating plate refer to the illustration below.

LOCATION OF RATING PLATE



Mobile Home Installation

The installation of this appliances must conform to the Manufactured Home Construction and Safety Standards, Title 24 CFR, Part 3280 (formerly the Federal Standard for Mobile Home Construction and Safety; Title 24 HUD part 280); or when such standard is not applicable, the Standard for Manufactured Home Installations (Manufactured Home Sites, Communities and Setups), ANSI A225.1 - latest edition, or with local codes.

When this range is installed in a mobile home, it must be secured to the floor during transit. Any method of securing the range is adequate as long as it conforms to the standards listed above.

In Canada, the installation of this appliances must conform with the current standards CAN/CSA-Z240 - latest edition, or with local codes.

Before Starting Installation

- Check location where range will be installed. The location should be away from strong drafty areas, such as windows, doors and strong heating vents or fans.
- Electrical grounding is required. See "Electrical Requirements"
- Assure that electrical installation is adequate and in conformance with National Electrical Code, ANSI/NFPA 70 - latest edition**, or Canadian Electrical Code, part 1 C22.1 (latest edition)*** and all local codes and ordinances.

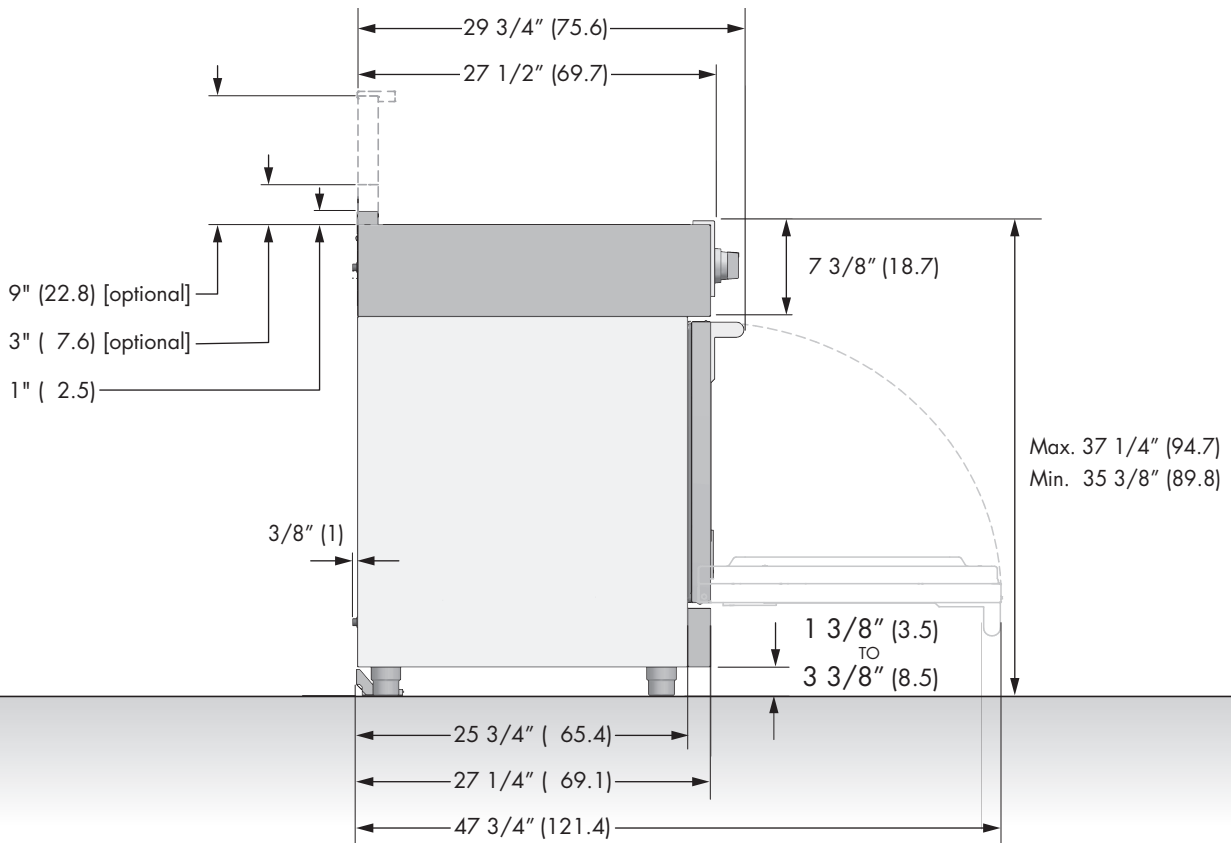
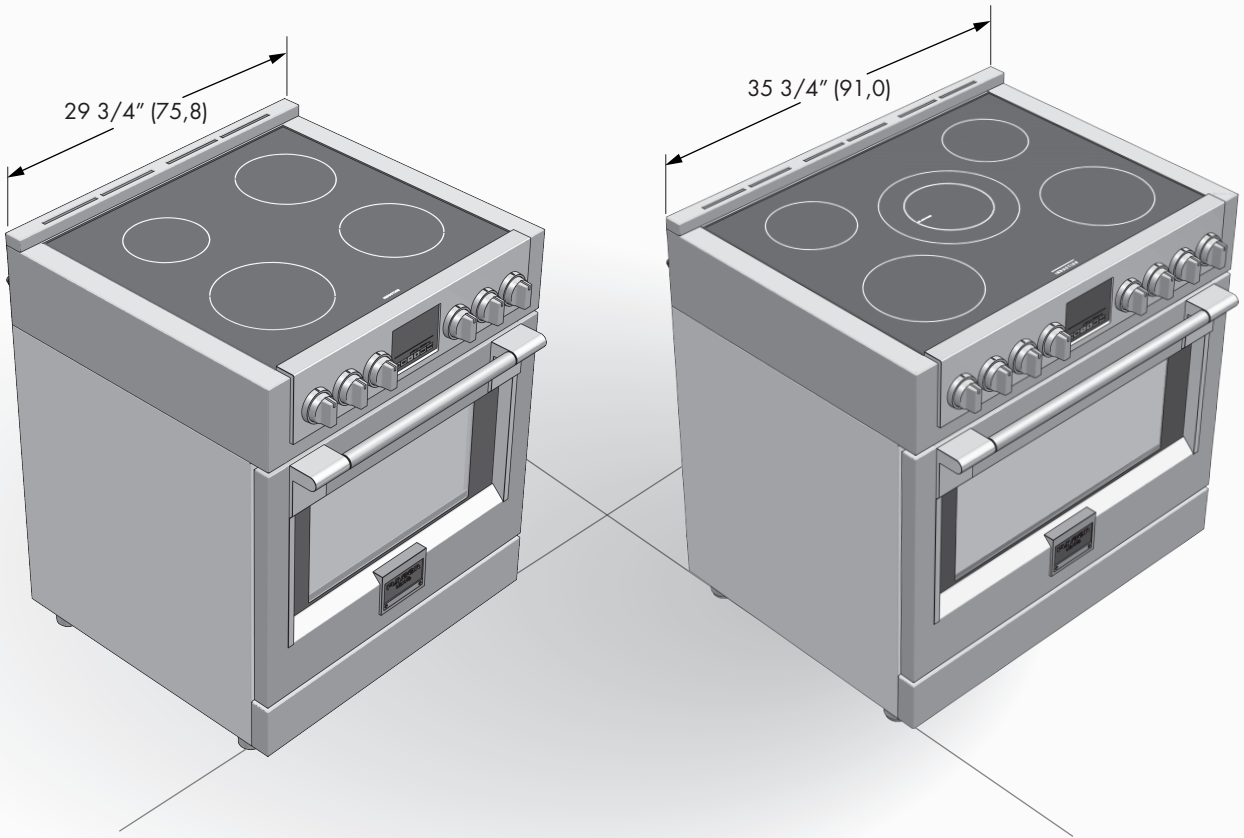
Copies of the standards listed may be obtained from:

** National Fire Protection Association One Batterymarch Park
Quincy, Massachusetts 02269

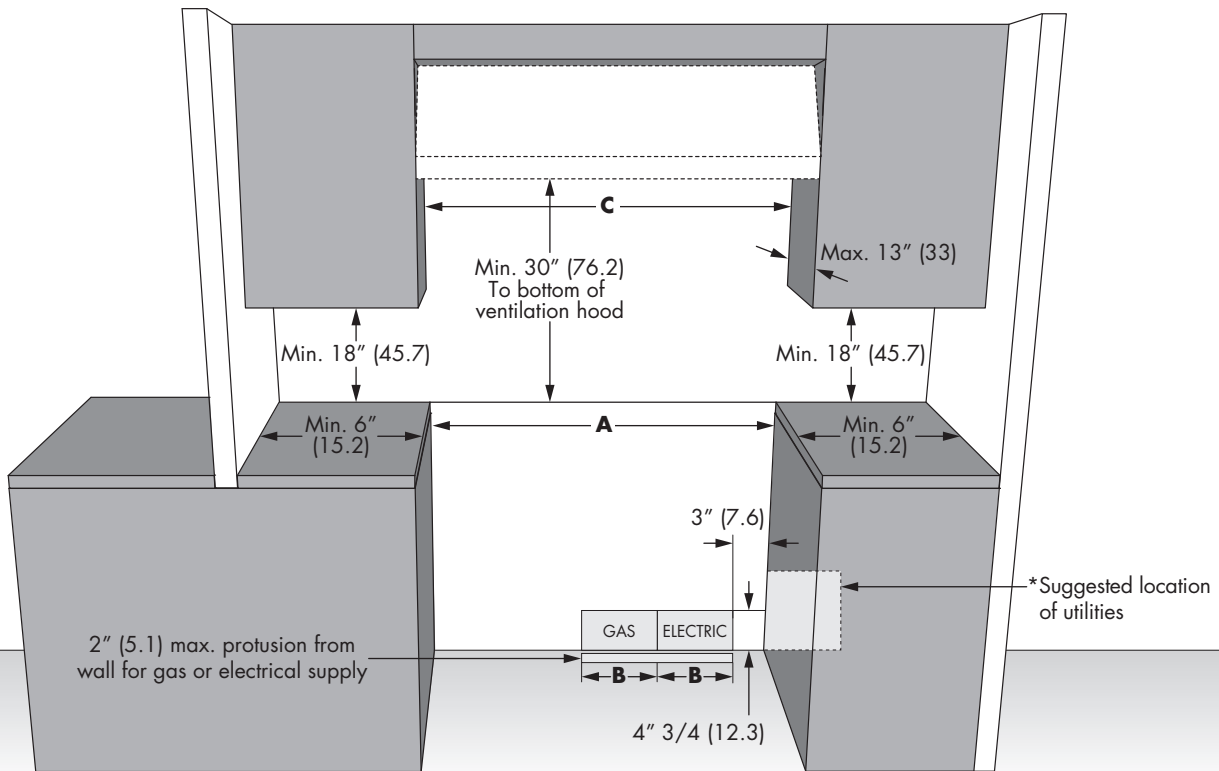
*** CSA International 8501 East Pleasant Valley Rd. Cleveland,
OH 44131-5575

PRODUCT DIMENSIONS

30" Wide Range Models



CUTOUT REQUIREMENTS



The surface of the entire back wall above the range and below the hood must be covered with a noncombustible material.
 *Consult local code for exact location requirements.

OPENING WIDTH	A & C	B
Range 30"	30" (76.2)	6" (15.2)
Range 36"	36" (91.4)	7" (17.8)

ADDITIONAL CLEARANCES:

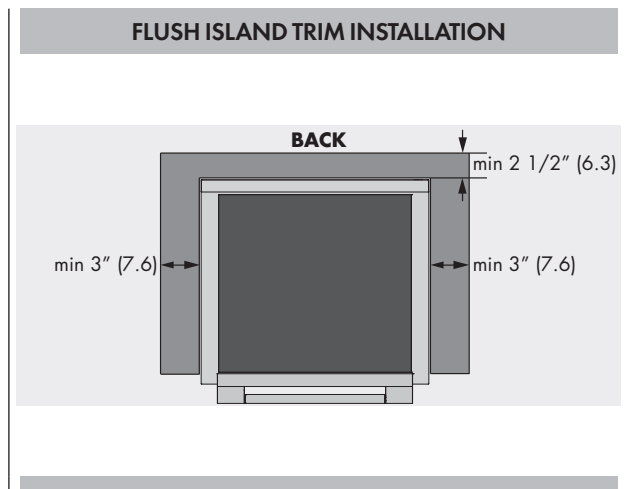
For island installation, maintain 2-1/2 in. minimum from cutout to back edge of countertop and 3 in. minimum from cutout to side edges of countertop (see top view).

Note: Clearances to non-combustible materials must conform with local codes or, in the absence of local codes, with the National Fuel Gas Code, ANSI Z223.1/NFPA 54.

Minimum clearances:

Above cooking surface (above 36" [91.4 cm])

- Sides 3" (7.6 cm)
- Within 3" (7.6 cm) side clearance, wall cabinets no deeper than 13" (33.0 cm) must be minimum 18" (45.7 cm) above cooking surface.
- Wall cabinets directly above product must be a minimum of 30" (76.2 cm) above cooking surface, no deeper than 13" (33.0 cm)
- Rear - 0" with 3" (7.6 cm) backguard.



Before moving the range, protect any finished flooring and secure oven door(s) closed to prevent damage.

Vent hood Combinations:

It is recommended that these ranges be installed in conjunction with a suitable overhead vent hood.

Install a hood with at least 450 CFM.

Due to the high heat capacity of this unit, particular attention should be paid to the hood and ductwork installation to assure it meets local building codes.

WARNING

Clearances to horizontal surfaces above the range, measured to the cooking surface are below. Failure to comply may result in fire hazard.

- Installations without a hood require 30" (76) minimum to combustibles.
- For other installations with a hood, refer to the hood installation instructions for specific hood clearances.

CAUTION

These ranges weigh up to 400 pounds. Some disassembly will reduce the weight considerably. Due to the weight and size of the range and to reduce the risk of personal injury or damage to the product:

TWO PEOPLE ARE REQUIRED FOR PROPER INSTALLATION.

Anti-Tip Bracket Installation

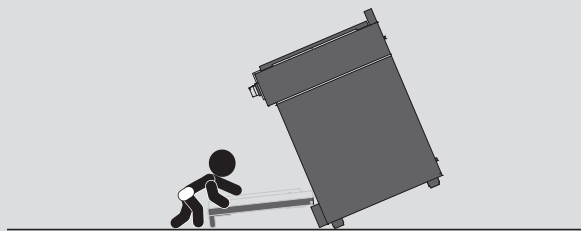
WARNING

Tip Over Hazard

A child or adult can tip the range and be killed. Ensure the anti-tip bracket is engaged when the range is moved.

Do not operate range without anti-tip bracket installed and engaged.

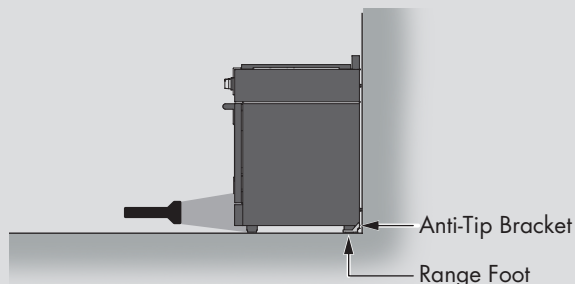
Failure to follow these instructions can result in death or serious burns to children and adults.



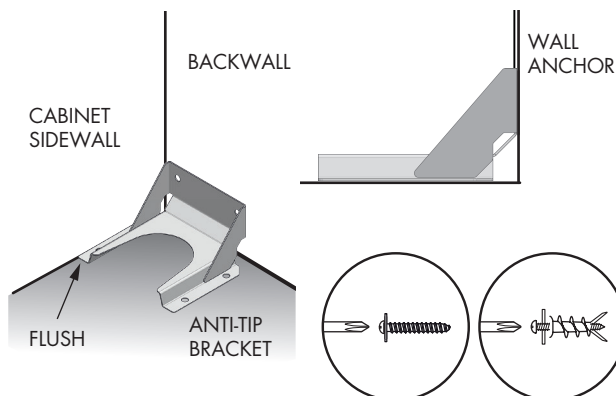
WARNING

To verify the anti-tip bracket is installed and engaged:

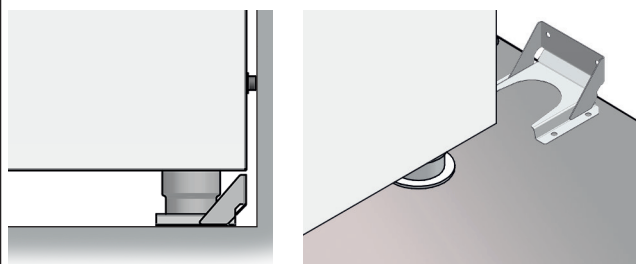
- Slide range forward.
- Look for the anti-tip bracket securely attached to floor or wall.
- Slide range back so rear range foot is under anti-tip bracket.
- See installation instructions for details.



ANTI-TIP BRACKET INSTALLATION



For Concrete or Cement Construction:
You must use appropriate fastening hardware (not provided).
Secure the bracket to the wall and/or floor with at least 4 wood screws (provided).



The anti-tip bracket should be inserted into the opening on the anti-tip brace on the range.

WARNING

Excessive Weight Hazard

Use two or more people to move and install range. Failure to do so can result in back or other injury.

Cut Hazard

Beware of sharp edges. Use the polystyrene ends when carrying the product. Failure to use caution could result in minor injury or cuts.

Do not obstruct the flow air at the oven vent nor around the base or beneath the lower front panel of the range. Avoid touching the vent openings or nearby surfaces as they may become hot while the oven is in operation.

CHOOSING RANGE LOCATION

Carefully select the location where the range will be placed. The range should be located for convenient use in the kitchen, but away from strong drafts. Strong drafts may be caused by open doors or windows, or by heating and/or air conditioning vents or fans.

IMPORTANT NOTE

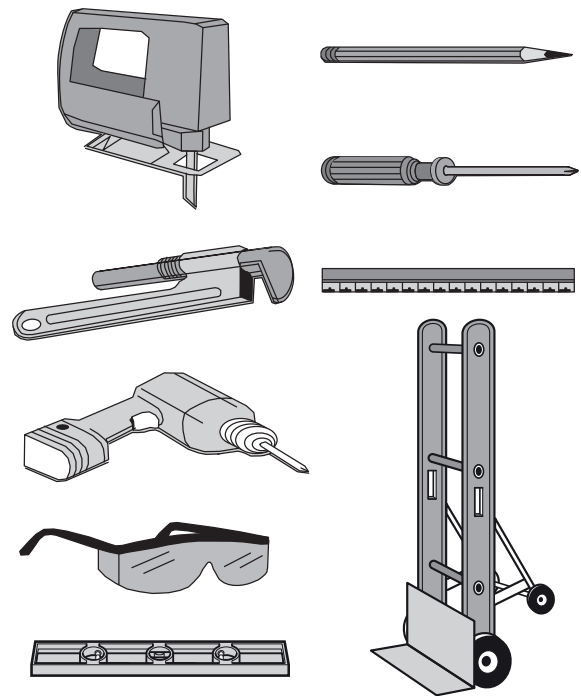
When installing against a combustible surface, a minimum riser is required for a the range, Follow all minimum clearances to combustible surfaces shown in the illustration on the previous pages.

Before moving the range, protect any finished flooring and secure oven door(s) closed to prevent damage.

Do not lift or carry the range door by the door handle.

To eliminate the risk of burns or fire by reaching over heated surface units, cabinet storage space located above the surface units should be avoided. If cabinet storage is to be provided, the risk can be reduced by installing a range hood that projects horizontally a minimum of inches beyond the bottom of the cabinets.

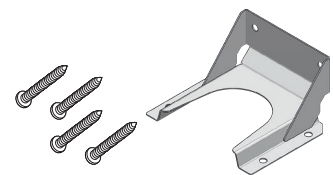
TOOLS WILL YOU NEED



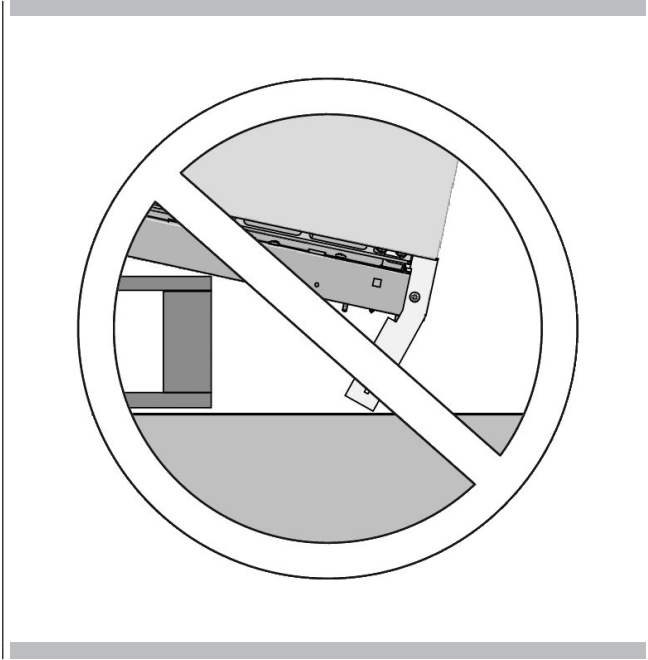
Remove packaging materials and literature package from the cooktop before beginning installation. Remove Installation Instructions from the literature pack and read them carefully before you begin

MATERIALS PROVIDED

ANTI-TIP BRACKET
BRACE AND SCREWS



Do not tip the range on its side when installing the legs. The sidewalls are not designed to bear the weight of the range and will bend. Any damage as a result of tipping will not be covered by warranty. Follow the method in the enclosed installation Manual.



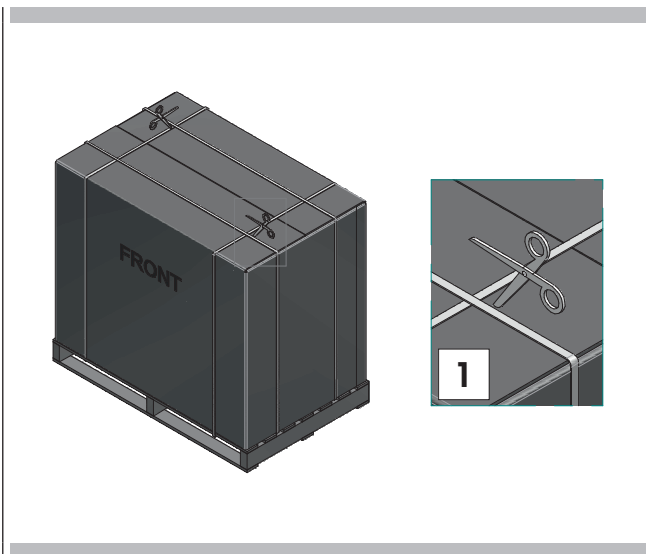
STEP 1

Cut the banding (1) and remove the Installation Instructions from the top of range and read them carefully before you begin.



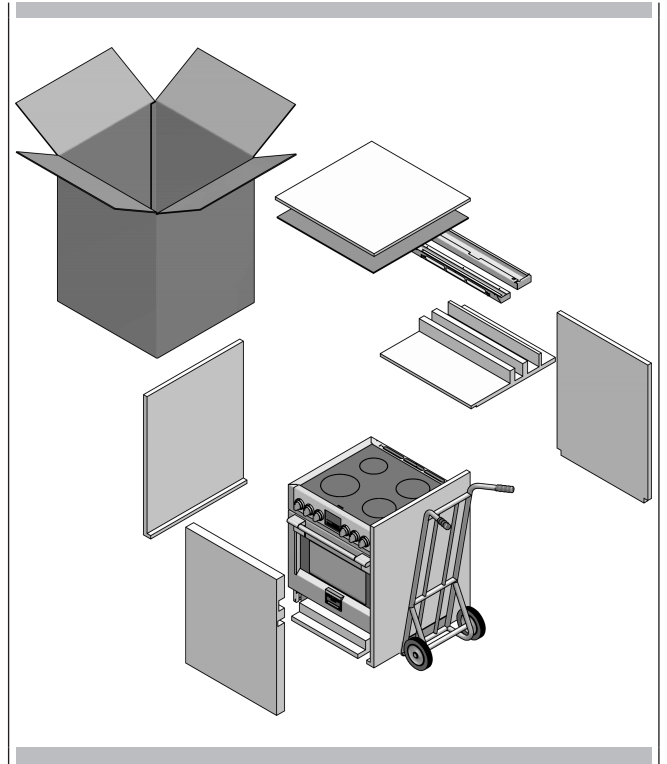
CAUTION

Stand clear. The ends of the cut banding may snap toward you.



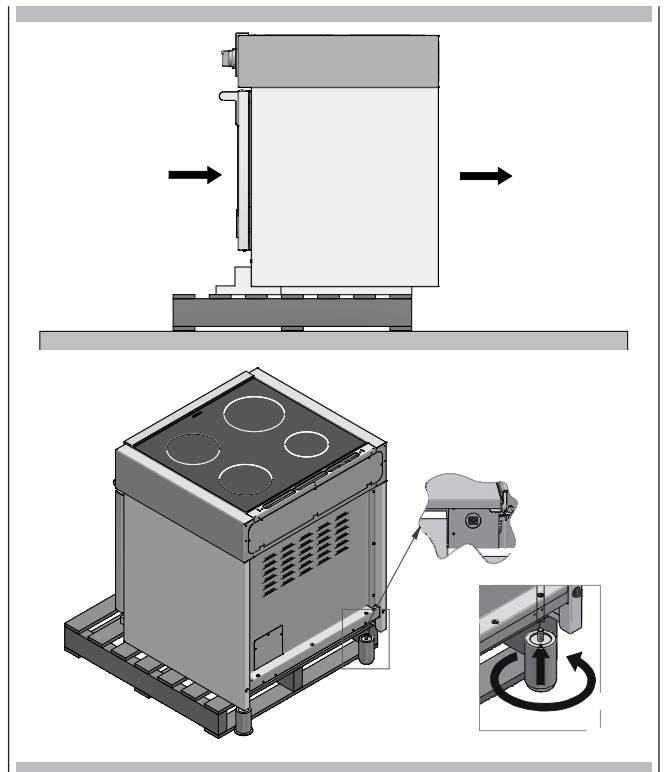
STEP 2

Open the top and remove the accessories then lift off the cardboard sheath.



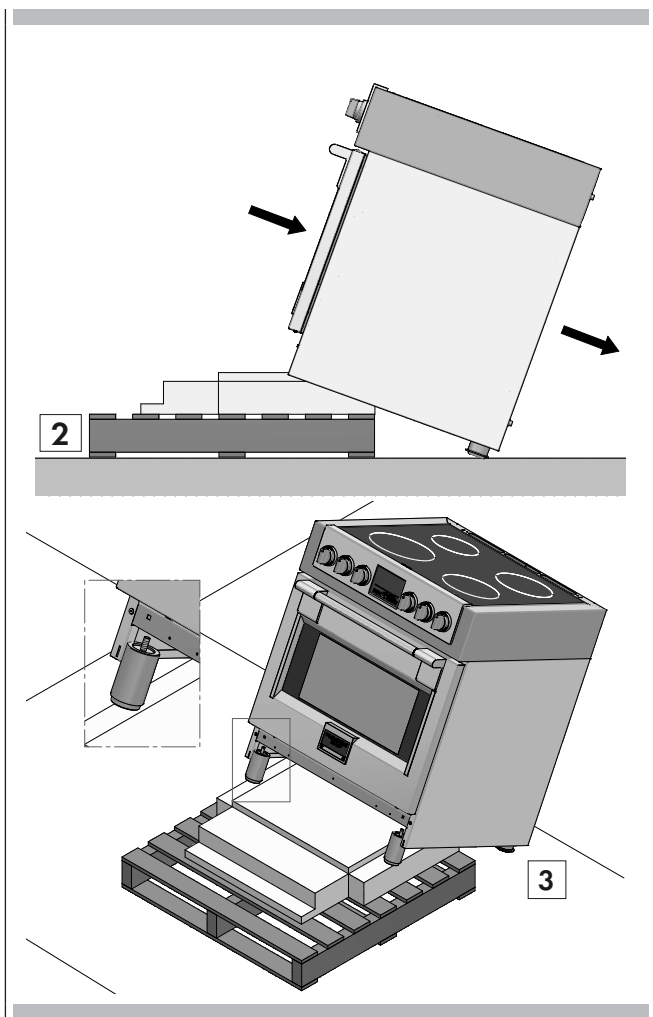
STEP 3

Slide the range back just enough to allow the rear feet to be installed.



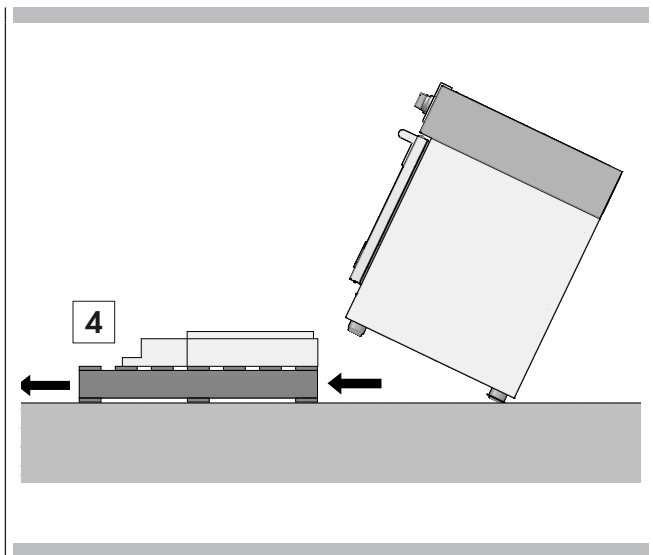
STEP 4

Slide back more and tilt back (2), putting the rear legs on the floor and then mount the front legs (3) while in this angled position supported by the rear legs and the skid.



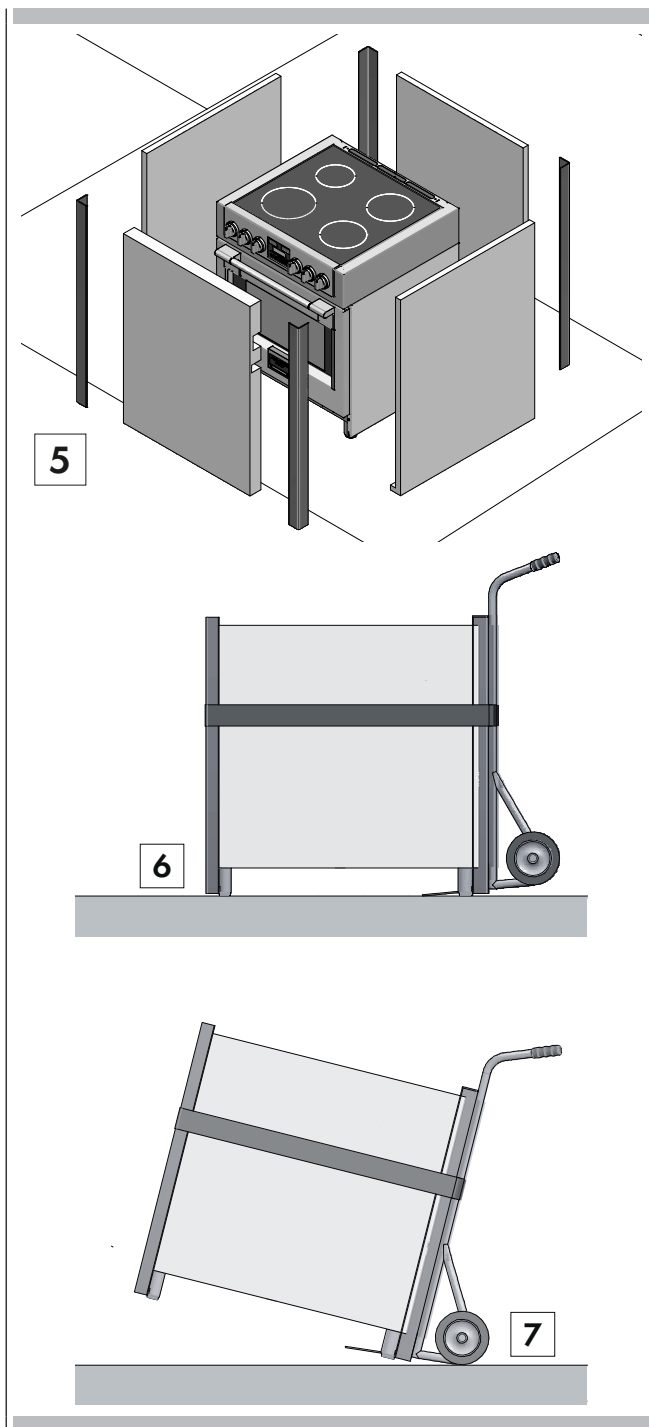
STEP 5

Remove the base while supporting the front of the range (4) and lower to the floor in a controlled manner.



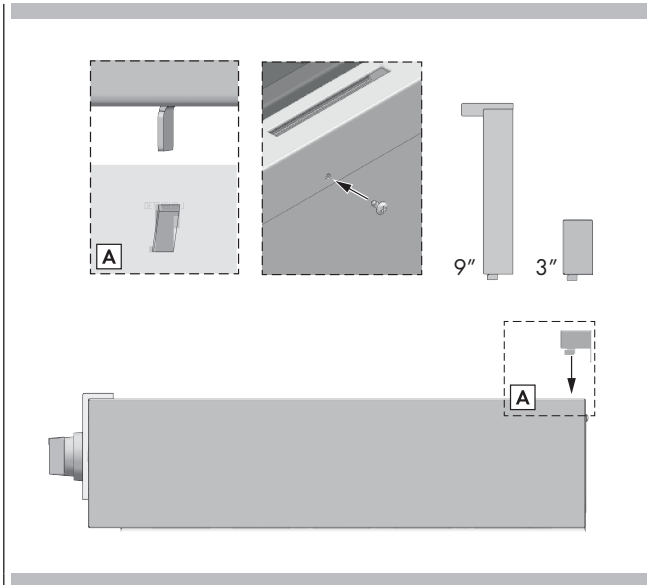
STEP 6

In case it is necessary to move the range; using the foam and/or cardboard packaging (5), replace them around the range strategically to protect the finished surfaces of the range from contact with the hand-truck and any straps around the unit (6). In the case of smaller ranges, you may use this technique to remove the range from the skid and installing the legs (7). Tilt the range to lower the hand-truck wheels off the skid. Place appliance runners on the floor at the left and right sides in front of the opening when moving into final position to protect flooring. The oven door(s) add(s) a great deal to the overall weight of the range, you may find it helpful to remove the doors if moving the range a significant distance. Refer to the included instruction manuals for how to remove and reinstall the doors.

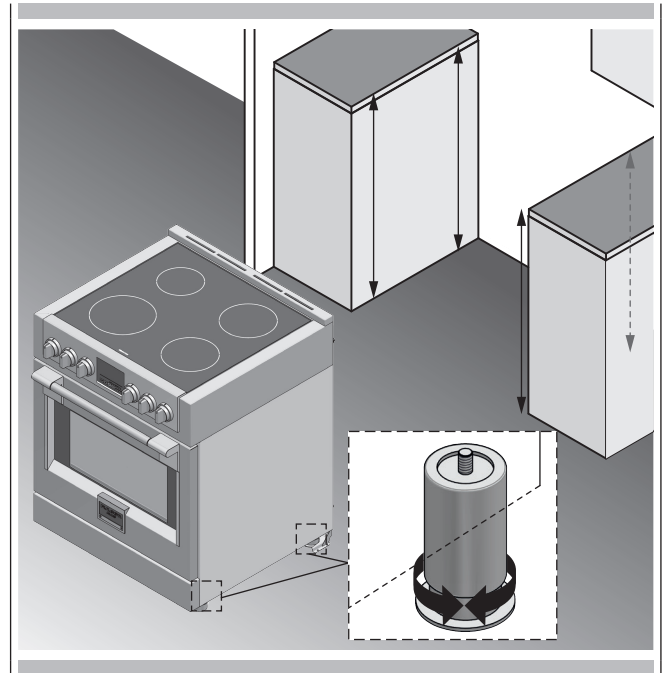


STEP 7

Install the back guard (if provided) by the three screws on the back. In some cases this may be an accessory back guard that was ordered separately rather than the one which was included with the range. Refer to instructions included with any accessory for specific installation requirements.



Ensure floor is protected. Slide unit into place making sure to engage the anti-tip bracket.



STEP 8

After completing the electrical connection (see included instructions) measure the four corners in cutout area to verify if flooring is level. Adjust the leveling legs to the desired height and ensure range is level. Turn the bottom section of each leg counter-clockwise to raise the leg and clockwise to lower it.

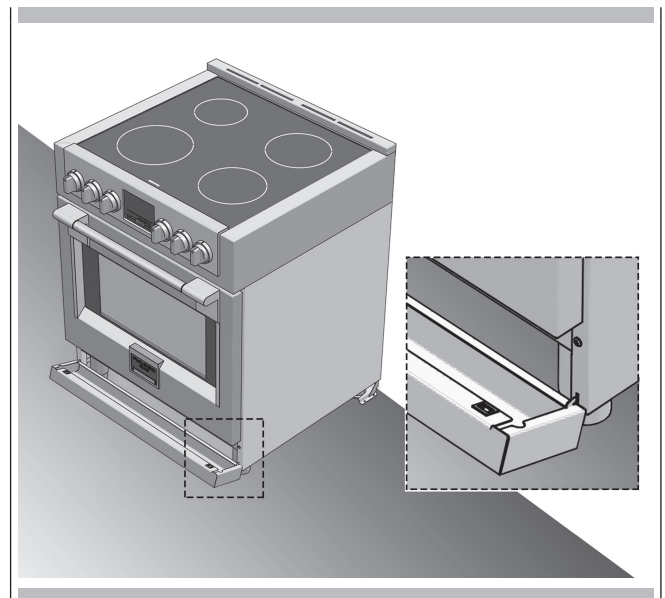
STEP 9

Hook tabs on bottom of toekick into slots on either side of the frame and rotate up until the magnets at the top of toekick make contact and hold it in place securely



IMPORTANT

When the unit first powers on, it must complete a safety door lock test. Ensure doors are reinstalled if they were removed to ease movement of the range prior to sending power to the appliance. Do not open the oven door or attempt to use the oven until you are sure the test has been completed successfully. Opening / closing the door during the test could result in damage to the lock mechanism. Refer to the instruction manuals for more details if needed.

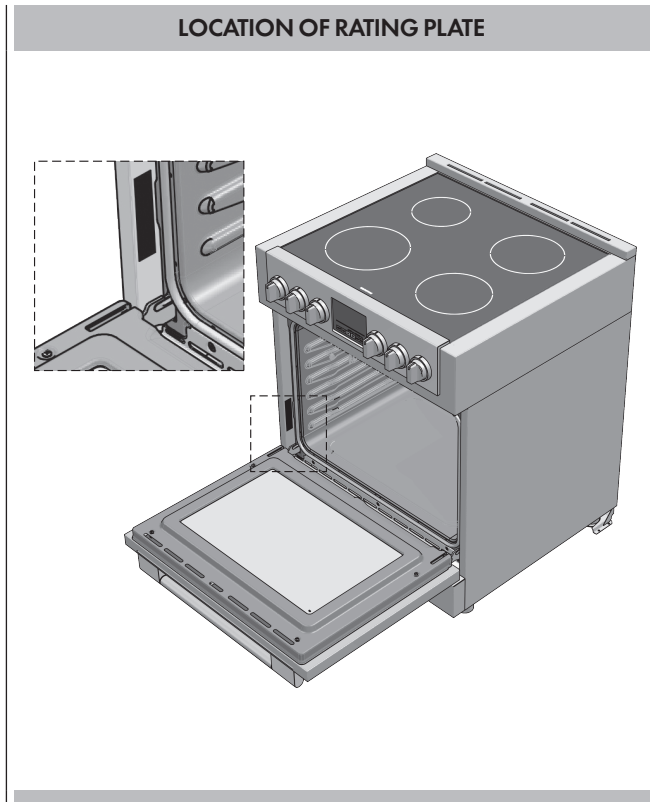


Before installing the oven have a qualified electrician verify that your home is provided with adequate electrical service and that the addition of the oven will not overload the branch circuit on which it is to be installed.

Be sure your appliance is properly installed and grounded by a qualified technician. Ask your dealer to recommend a qualified technician or an authorized repair service.

This appliance is manufactured with a green GROUND wire connected to the oven chassis Junction Box or Wall Receptacle Location.

Suggested location of the junction box or wall receptacle is showed in "Cutout requirements" Figure.



Your local codes and ordinances, of course, take precedence over these instructions. Complete electrical connections according to local codes and ordinances.

A UL listed conduit connector must be provided at each end of the power supply conduit (at the range and at the junction box).

- Wire sizes and connections must conform with the rating of the range.

In the United States:

Be sure that the electrical and grounding connections and also wire size are adequate and in conformance with the National Electrical Code, ANSI/ NFPA 70-latest edition and all local codes and ordinances.

In Canada:

Be sure that the electrical connection and wire size are adequate and in conformance with CSA Standard C22.1, Canadian Electrical Code, Part 1 - latest edition, and all local codes and ordinances.

⚠ WARNING

Risk of Electric Shock, frame grounded to neutral of appliance through a link

Grounding through the neutral conductor is prohibited for new branch-circuit installations (1996 NEC); mobile homes; and recreational vehicles, or in an area where local codes prohibit grounding through the neutral conductor. For installations where grounding through the neutral conductor is prohibited:

- Disconnect the ground from the neutral at free end of conduit;
- Use grounding terminal or lead to ground unit; and
- Connect neutral terminal or lead to branch circuit neutral in usual manner.

A 3-wire or 4-wire single phase 120/240 or 120/208 Volt, 60 Hz AC only electrical supply is required on a separate circuit fused on both sides of the line (time-delay fuse or circuit breaker is recommended). DO NOT fuse neutral.

NOTE: FOR USE WITH 208 V, 60 HZ SUPPLY VOLTAGE, SEE CONNECTING TO 208 VOLT CIRCUIT.

ELECTRICAL REQUIREMENTS 30"		
Electrical Supply	120-240V or 120-208V, 60 Hz	
Service	50 amp dedicated circuit	
Total Amps	120/240V 45.8	Amps
	120/208V 48.5	Amps
Max Connected Load	120/240V 11.00	kW
	120/208V 10.00	kW
Min Supply Wire	L1, L2, ground	8 AWG
	Neutral	10 AWG

ELECTRICAL REQUIREMENTS 36" *		
Electrical Supply	120-240V or 120-208V, 60 Hz	
Service	50 amp dedicated circuit	
Total Amps	120/240V 61.0	Amps
	120/208V 63.0	Amps
Max Connected Load	120/240V 14.60	kW
	120/208V 13.30	kW
Min Supply Wire	L1, L2, ground	8 AWG
	Neutral	10 AWG

(*) 36" model utilizes power management software that maintains maximum load below 50 Amps

**WARNING****ELECTRICAL SHOCK HAZARD**

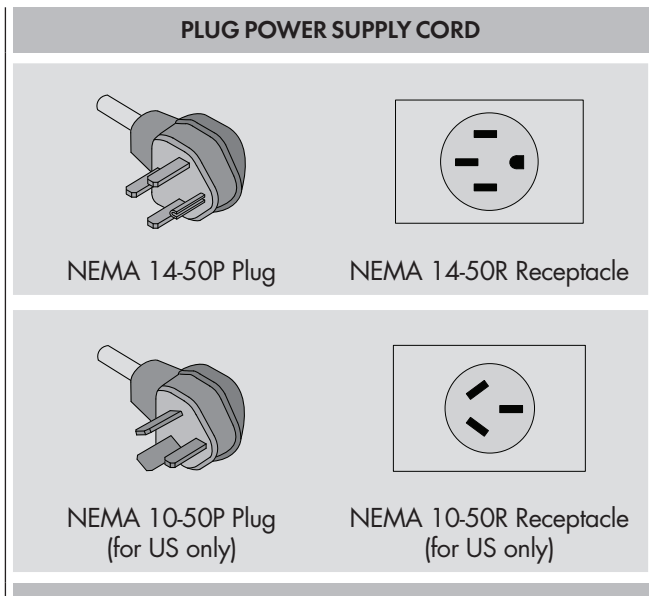
- The electrical power to the appliance branch circuit must be shut off while line connections are being made.
- Do not use an extension cord with this appliance.
- Electrical ground is required on this appliance.
- The free end of the green wire (the ground wire) must be connected to a suitable ground. This wire must remain grounded to the appliance.
- If cold water pipe is interrupted by plastic, non metallic gaskets, union connections or other insulating materials, DO NOT use for grounding.
- DO NOT ground to a gas pipe.
- DO NOT have a fuse in the NEUTRAL or GROUNDING circuit. A fuse in the NEUTRAL or GROUNDING circuit could result in an electrical shock.
- Check with a qualified electrician if you are in doubt as to whether the appliance is properly grounded.
- Failure to follow these instructions could result in serious injury or death.

CAUTION

Do not repair or replace any part of the appliance unless specifically recommended in the manual. All other servicing should be done by a qualified technician. This may reduce the risk of personal injury and damage to the appliance. Never modify or alter the construction of the appliance by removing panels, wire covers, screws, or any other part of the product.

Factory Connected Power Supply Cord

Your range is equipped with a factory-connected power cord. Cord must be connected to a grounded 120/240 volt or 120/208 volt range outlet. If no outlet is available, have one installed by a qualified.

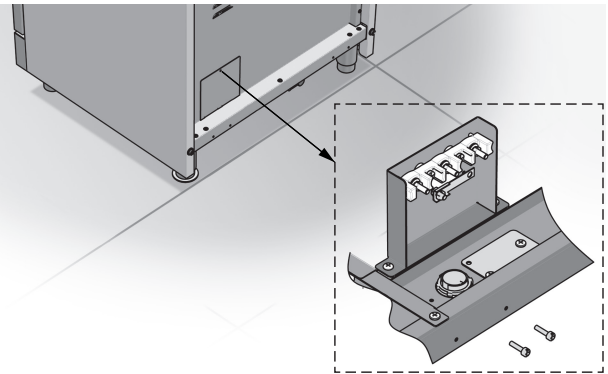


Power Supply Cord Kit or Flexible Conduit (for US only)

The user is responsible for connecting the power supply cord to the connection block located behind the back panel access cover. This appliance may be connected by means of permanent "hard wiring" (flexible armored or nonmetallic shielded copper cable), or by means of a power supply cord kit. Use only a power supply cord kit rated at 125/250 volts minimum and marked for use with ranges. Cord must have either 3 or 4 conductors. Terminals on end of wires must either be closed loop or open-end spade lugs with upturned ends. For 30" and 36" ranges use a power supply cord kit rated at minimum 50A that is marked for use with nominal 1-3/8 in (34.93 mm) diameter connection openings.

- 1) Disconnect power.
- 2) Remove the terminal block cover screws located on the back of the range.

LOCATION OF ELECTRICAL CONNECTION

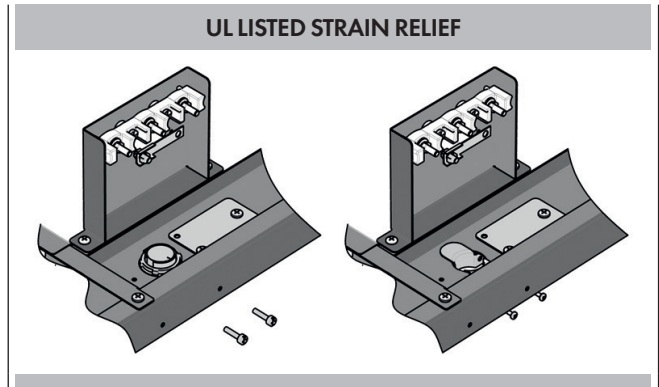


- 3) Add strain relief if not provided.

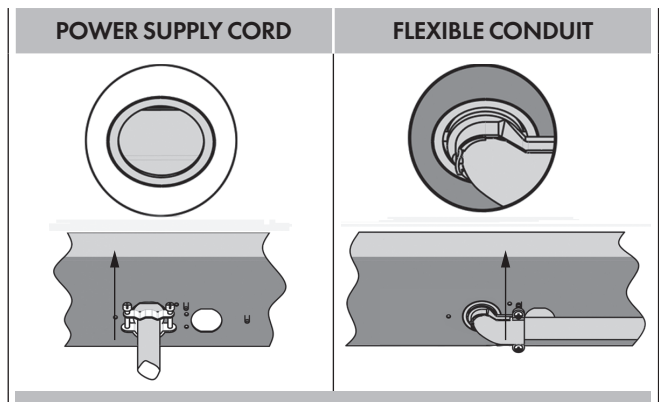
NOTE: If necessary remove the knockout to insert the strain relief.

Power supply cord strain relief

- Assemble a UL listed strain relief in the opening.


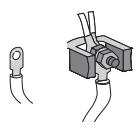

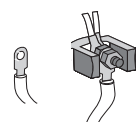
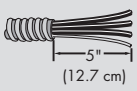
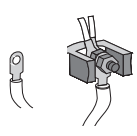
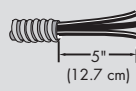
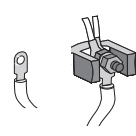


- Feed the power supply cord or flexible conduit through the strain relief in the cord/conduit plate on bottom of range. Allow enough slack to easily attach the wiring to the terminal block.
- Tighten strain relief screw against the power supply cord or flexible conduit.

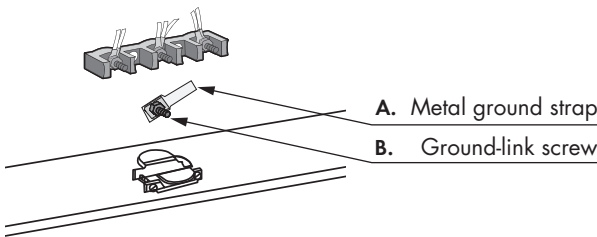


- 4) Complete installation following instructions for your type of electrical connection:

- 4-wire (recommended)
- 3-wire (if 4-wire is not available)

ELECTRICAL CONNECTION OPTIONS					
IF YOUR HOME HAS	AND YOU WILL BE CONNECTING TO:	CONNECTION TYPE:	IF YOUR HOME HAS	AND YOU WILL BE CONNECTING TO:	CONNECTION TYPE:
4-wire receptacle (NEMA type 14-50R) 	A UL listed, 250-volt minimum, 50-amp, range power supply cord		3-wire receptacle (NEMA type 10-50R) 	A UL listed, 250-volt minimum, 50-amp, range power supply cord	
4-wire direct 	A fused disconnect or circuit breaker box		3-wire direct 	A fused disconnect or circuit breaker box	

TERMINAL BLOCK - GROUND STRAP



A. Metal ground strap
B. Ground-link screw

4-wire connection

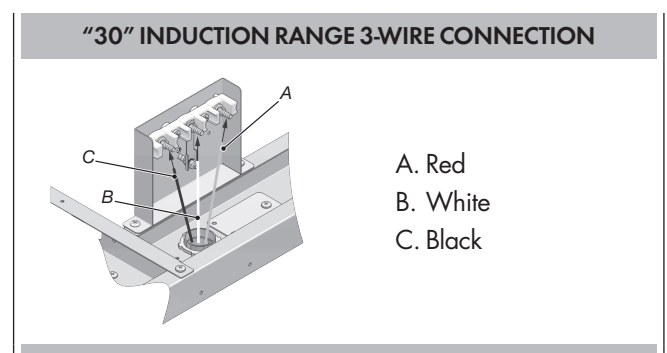
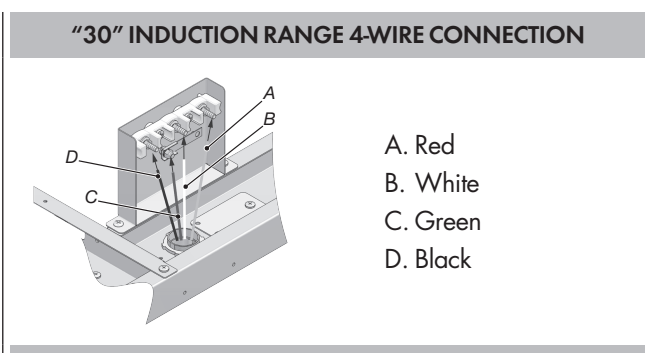
Part of metal ground strap must be removed.

- 1) Use Phillips screwdriver to remove the ground-link screw from the back of the range. Save the ground-link screw and the end of the ground link under the screw.
- 2) Feed the power supply cord through the strain relief in the cord/conduit plate on bottom of range. Allow enough slack to easily attach the wiring to the terminal block.
- 3) Use Phillips screwdriver to connect the green ground wire from the power supply cord to the range with the ground-link screw. The ground wire must be attached first.
- 4) Use 3/8" nut driver to connect the neutral (white) wire to the enter terminal block post with one of the 10-32 hex nuts.
(Refer to the "Electric Connection Options" table to see the appropriate connection type)
- 5) Connect line 1 (black) and line 2 (red) wires to the outer terminal block posts with 10-32 hex nuts.
- 6) Securely tighten hex nuts.
- 7) Replace terminal block access cover.

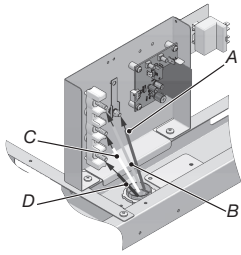
3-wire connection

Use this method only if local codes permit connecting chassis ground conductor to neutral wire of power supply cord:

- 1) Feed the power supply cord through the strain relief in the cord/conduit plate on bottom of range. Allow enough slack to easily attach the wiring to the terminal block.
- 2) Use 3/8 nut driver to connect the neutral (white) wire to the center terminal block post with one of the 10-32 hex nuts.
(Refer to the "Electric Connection Options" table to see the appropriate connection type)
- 3) Connect line 1 (black) and line 2 (red) wires to the outer terminal block posts with 10-32 hex nuts.
- 4) Securely tighten hex nuts.
- 5) Replace terminal block access cover.

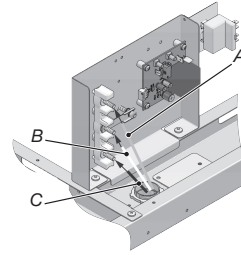


"36" INDUCTION RANGE 4-WIRE CONNECTION



- A. Green
- B. Red
- C. White
- D. Black

"36" INDUCTION RANGE 3-WIRE CONNECTION



- A. Red
- B. White
- C. Black

Direct Electrical Connection to the Circuit Breaker, Fuse Box or Junction Box

If the appliance is connected directly to the circuit breaker, fuse box or junction box, use flexible, armored or non metallic sheathed copper cable (with grounding wire).

3-WIRE BRANCH CIRCUIT (for US only)

Refer to Figure A:

where local codes allow the connection of GROUND wire from the range to the branch circuit NEUTRAL wire (gray or white colored wire):

- If local codes permit, connect the green GROUND wire from the range and the white wire from the oven to the branch circuit NEUTRAL wire (gray or white colored wire).
- Connect the red and black leads from the range to the corresponding leads in the junction box.

DO NOT ground to a gas supply pipe.

DO NOT connect to electrical power supply until appliance is permanently grounded. Connect the ground wire before turning on the power.

4-WIRE BRANCH CIRCUIT (for US only)

Refer to Figure B:

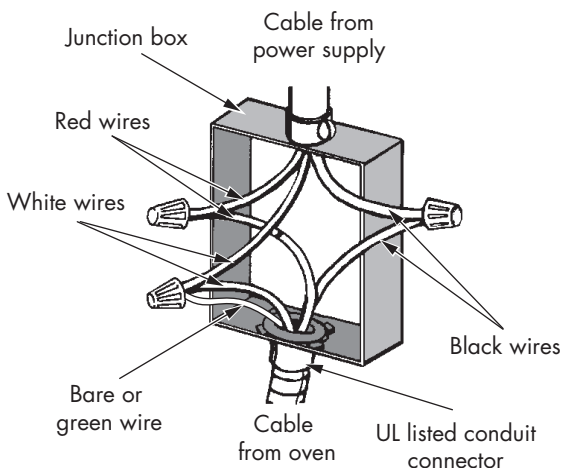
- Disconnect ground from neutral at free end of conduit.
- Connect the green GROUND wire from the range to the GROUND wire in the junction box (bare or green colored wire).
- Connect the red and black leads from the range to the corresponding leads in the junction box.
- Connect the white wire from the range to the NEUTRAL (gray or white) wire in the junction box.

DO NOT ground to a gas supply pipe.

DO NOT connect to electrical power supply until appliance is permanently grounded. Connect the ground wire before turning on the power.

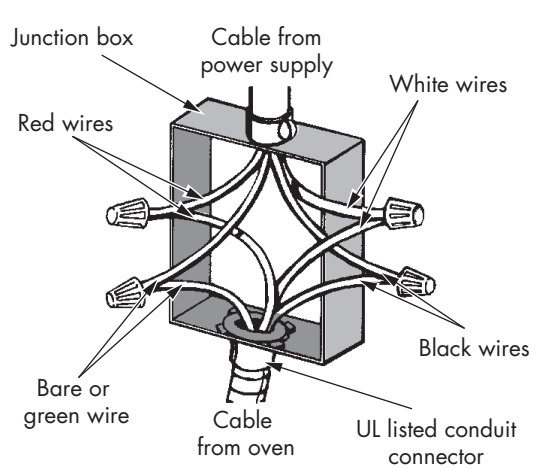
GROUNDING NEUTRAL

A



UNGROUNDING NEUTRAL

B



To prevent improper connections leading to damage of electrical components and so voiding the warranty, the following steps must be performed:

1. Check the electrical requirements and make sure you have the correct electrical supply and that the range is properly grounded.
2. Before the range is connected, turn on the power supply.
3. Check power at the junction box wires using a voltmeter having a range of 0-250 VAC. If you have installed the oven for use on 240 Volt supply, you should find that the voltage reading between the black and red wires (Line to Line) should be 220 to 240 Volts. If you have modified the range(s) for use on 208 Volt, the voltage reading between the black and red wires should be 190 to 208 Volts.

Remove packaging materials and literature package from the internal oven.

Keep the door closed since that at first power ON the oven perform an auto-test of locking door.

If the door is in the open position, the "AUTO LOCK" text will flash and the latch will not move until the door is closed. Do not attempt to reopen the door while the latch is in motion as you could damage the mechanism.

4. Connect the range to the power supply.
5. Set the clock by following these steps:
 - Press **TIME** key twice until the display shows "SET TIME".
 - Immediately press **+** or **-** keys to set hours.
 - Press **TIME** key again to change minutes.
 - Immediately press **+** or **-** keys to set minutes, hold to change by ten (10) minutes step.
 - Press **TIME** key or wait for a few seconds.

Clock is now set.
6. Test the bake mode by following this step:
 - Move cooking mode knob to "BAKE" position.
 - Cooling fan, oven lights, preheat led will turn on.
 - A beep is sounded when the oven reaches the preset 350 °F (175 °C) and the preheat light turn off.
 - Move the knob back to "OFF" position to stop cooking.
7. To check the other oven functions refer to the "Using the Oven Controls" section of the USE AND CARE MANUAL.
8. If the oven is working properly, turn off the power supply to the oven.
9. Place the cover on the junction box and make sure the cover is securely fastened and turn on the power to the oven.



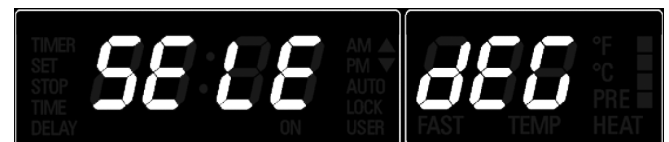
IMPORTANT

Leave these **INSTALLATION** instructions as well as the **USE AND CARE MANUAL** with the owner.

CONNECTING TO 208 VOLT CIRCUIT

This option is provided for areas where standard 240 Volt service is not available. This option must be accessed with the appliance connected to power source, and using the following sequence:

1. Within five minutes from power up, hold **MENU** and **TIME** keys for 3 seconds to enter the user option menu. The display shows as follows:



2. Hold then **TIME** and **LIGHT** keys until the display becomes dark.
3. Hold **MENU** and **LIGHT** further, until the time display shows "Volt" and temperature module shows "240" blinking, waiting for an input.



4. Using **+** or **-** keys, the control toggles between 240V and 208V options. Hold **MENU** to confirm.
5. Hold **TIME** and **LIGHT** keys in order to quit the selection.
6. Hold **MENU** key for 3 seconds to quit the user option menu.

The voltage setting is stored and kept even after a long power-off.

TABLES DES MATIERES	PAGE
1 - Avertissement Spéciaux	2
Avant de Procéder à l'Installation	2
Installation autocaravane	2
2 - Dimensions et Dispositions pour la Découpe	3
Instructions d'installation des supports anti-bascules	5
3 - Consignes d'installation	6
4 - Instructions d'Installation	7
5 - Alimentation électrique	10
6 - Connexions électriques	12
Connexion 4 fils	13
Connexion 3 fils	13
Connexion directement au disjoncteur, à la boîte à fusibles ou à la boîte de jonction	14
7 - Liste de vérification finale	15

IMPORTANT: Gardez ces instructions pour une utilisation d'inspection électrique locale

INSTALLATEUR: Veuillez laisser ce manuel au propriétaire pour de futures références.

PROPRIETAIRE: Veuillez garder ce manuel pour de futures références.

Veillez prêter attention à ces symboles que vous rencontrerez dans ce manuel :

DANGER

Si vous ne suivez pas IMMEDIATEMENT ces instructions, vous courez le risque de mourir ou d'être sérieusement blessé.

AVERTISSEMENT

Ce symbole signifie que la sécurité est en danger. Il signale les risques potentiels qui peuvent entraîner la mort ou des blessures à l'opérateur ou aux autres. Si vous ne suivez pas ces instructions à la lettre, vous courez le risque de mourir ou d'être sérieusement blessé.

BIEN LIRE CES INSTRUCTIONS ET LES CONSERVER.

À l'installateur :

Laissez ces instructions avec l'appareil.

Au client :

Gardez ces instructions comme référence future.

AVERTISSEMENT

Le respect minutieux des indications fournies dans ce manuel est indispensable pour éviter le risque de feu ou d'explosion susceptible d'endommager les biens et les produits et de provoquer des blessures, voire même la mort. Ne pas stocker ou utiliser de l'essence ou d'autres liquides inflammables à proximité de cet appareil ou de tout autre appareil électroménager.

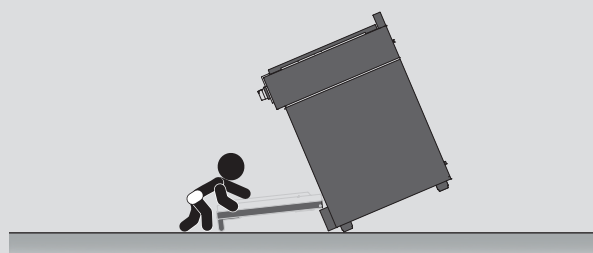
Instructions d'installation des supports anti-bascules

AVERTISSEMENT

Risque de basculement

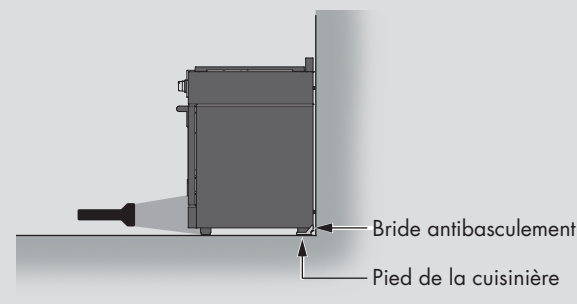
Un enfant ou une personne adulte peut faire basculer la cuisinière, ce qui peut causer un décès. S'assurer que le dispositif antibasculant est réengagé lorsque la plage est déplacée.

Ne pas faire fonctionner la cuisinière si la bride antibasculant n'est pas installée et engagée. Le non-respect de ces instructions peut causer un décès ou des brûlures graves aux enfants et aux adultes.



Pour vérifier que la bride anti-basculement est bien installée et engagée:

- Faire glisser la cuisinière vers l'avant.
- Vérifier que la bride antibasculant est bien fixée au plancher ou au mur.
- Faire de nouveau glisser la cuisinière vers l'arrière de sorte que le pied de la cuisinière se trouve sous la bride antibasculant.
- Voir les instructions d'installation pour plus de détails.





INSTRUCTION IMPORTANT

Avertissement Spéciaux
Veuillez lire les instructions avant toute utilisation



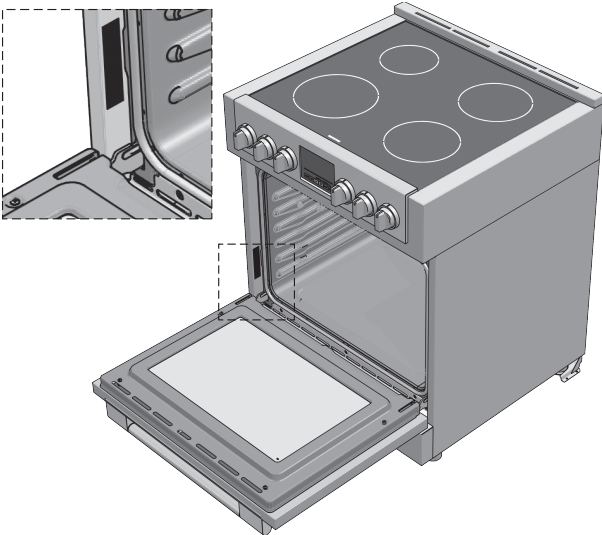
Il est de votre responsabilité d'installer l'appareil correctement. Confiez l'installation de cette cuisinières à un technicien qualifié.



AVERTISSEMENT

- Respecter les règlements et ordonnances en vigueur.
- Avant l'installation de la cuisinière, noter le modèle et les numéros de série. Les deux numéros se trouvent sur la plaque de données dans la position indiquée dans la figure ci-dessous.

POSITION DE LA PLAQUE SIGNALÉTIQUE



Avant de Procéder à l'Installation

- Vérifiez l'endroit où la cuisinières sera installée. La table de cuisson ne doit pas se trouver dans une zone de courants d'air forts, par exemple de fenêtres ou de portes ni près de calorifères ou de ventilateurs.
- L'appareil doit nécessairement être relié à la terre. Voir «Conditions requises électricité».
- Veuillez vous assurer que l'installation électrique est adéquate et conforme à la Réglementation Électrique Nationale ANSI/NFPA 70 – dernière édition** ou à la Réglementation Électrique du Canada, C22.1 – 1982 et C22.2 N° 01982 (ou dernière édition)*** et à tous les règlements et ordonnances en vigueur localement.

Vous pouvez demander une copie des standards répertoriés à:

** National Fire Protection Association One Batterymarch Park Quincy, Massachusetts 02269

*** CSA International 8501 East Pleasant Valley Rd. Cleveland, OH 44131 – 5575

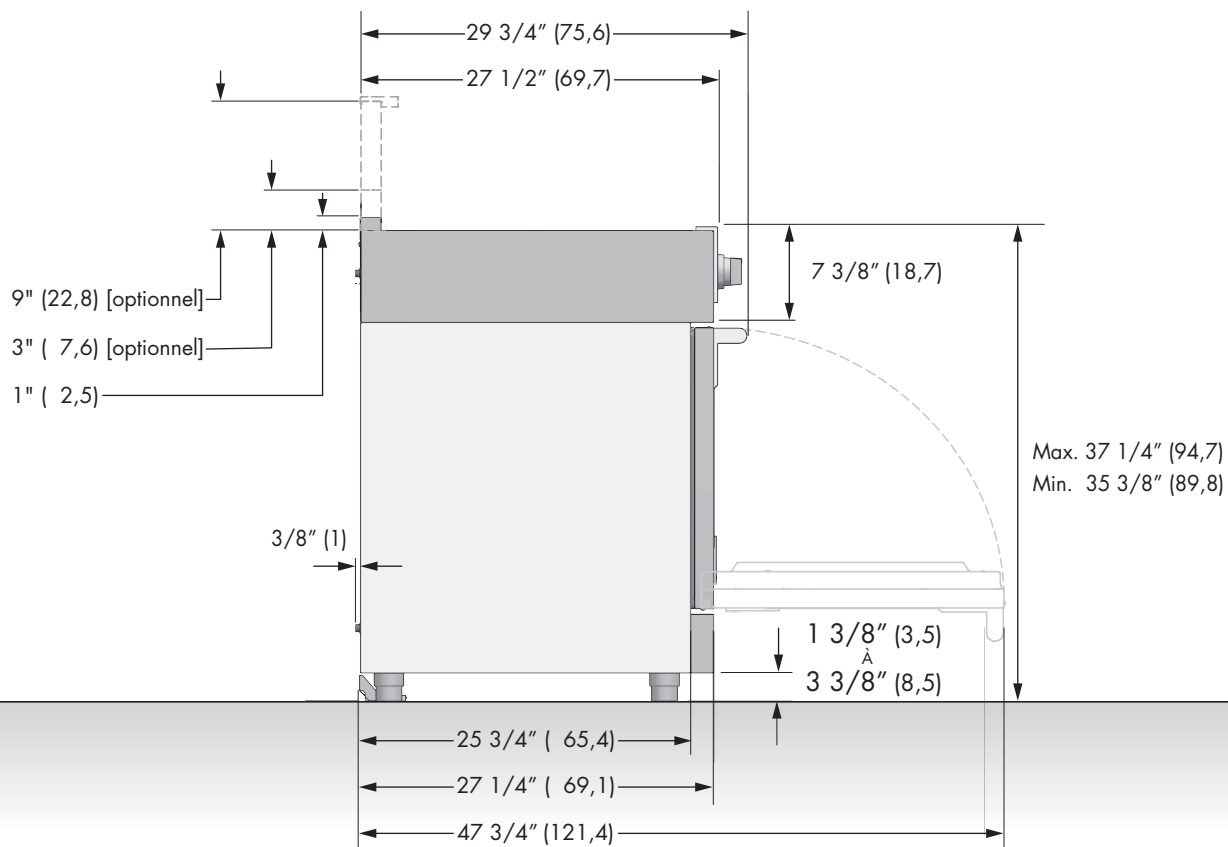
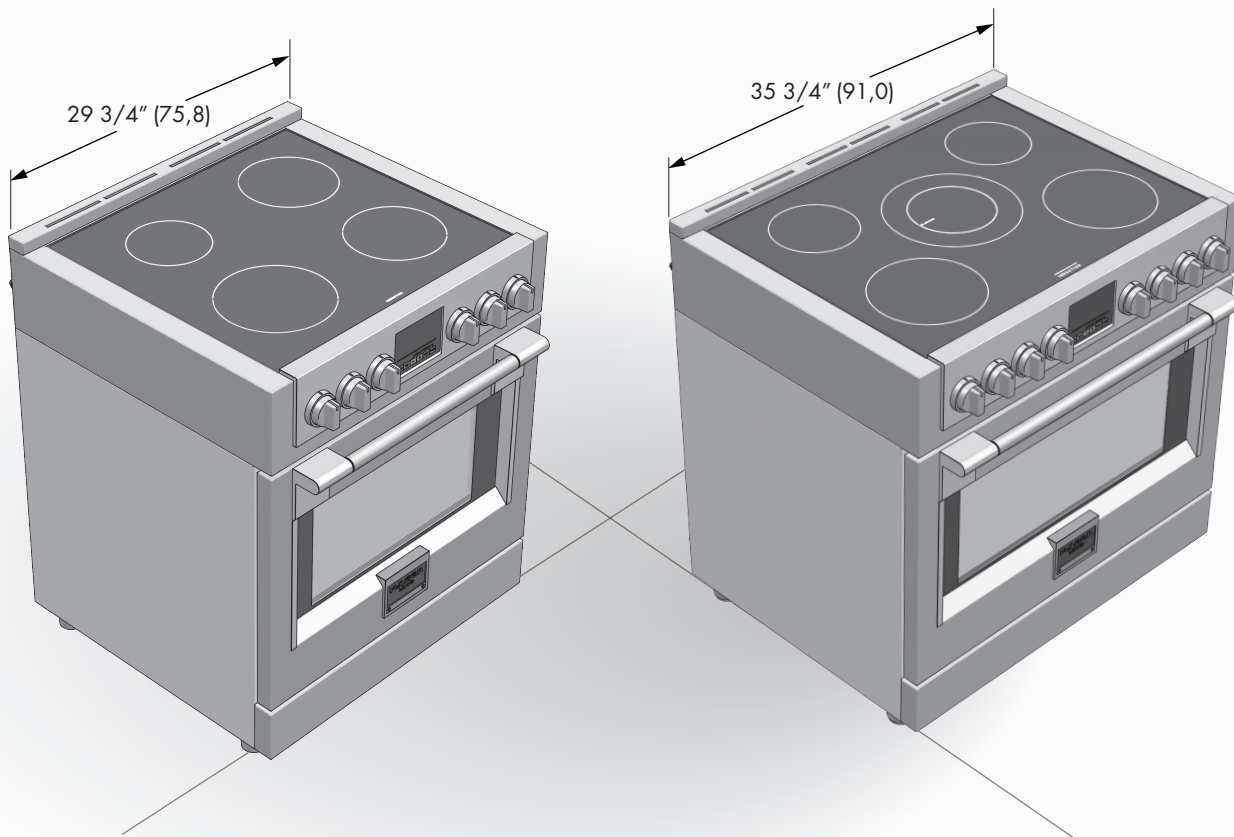
Installation autocaravane

L'installation de cette table de cuisson doit être conforme aux Normes de Construction et de Sécurité des Habitations, titre 24 CFR, Partie 3280 (jadis la Norme Fédérale pour la Construction et la Sécurité des Autocaravanes; titre 24HUD partie 280); ou lorsque de telles normes ne sont pas applicables, la Norme pour les Installations des Habitations (Emplacements, Communautés et Structures Habitations), ANSI 225.1 - dernière édition ou aux réglementations locales. Dans le cas de l'installation de cette cuisinière dans une résidence mobile, la cuisinière doit être fixée au plancher durant tout déplacement du véhicule. Toute méthode de fixation de la cuisinière est adéquate dans la mesure où elle satisfait aux critères des normes mentionnées ci-dessus.

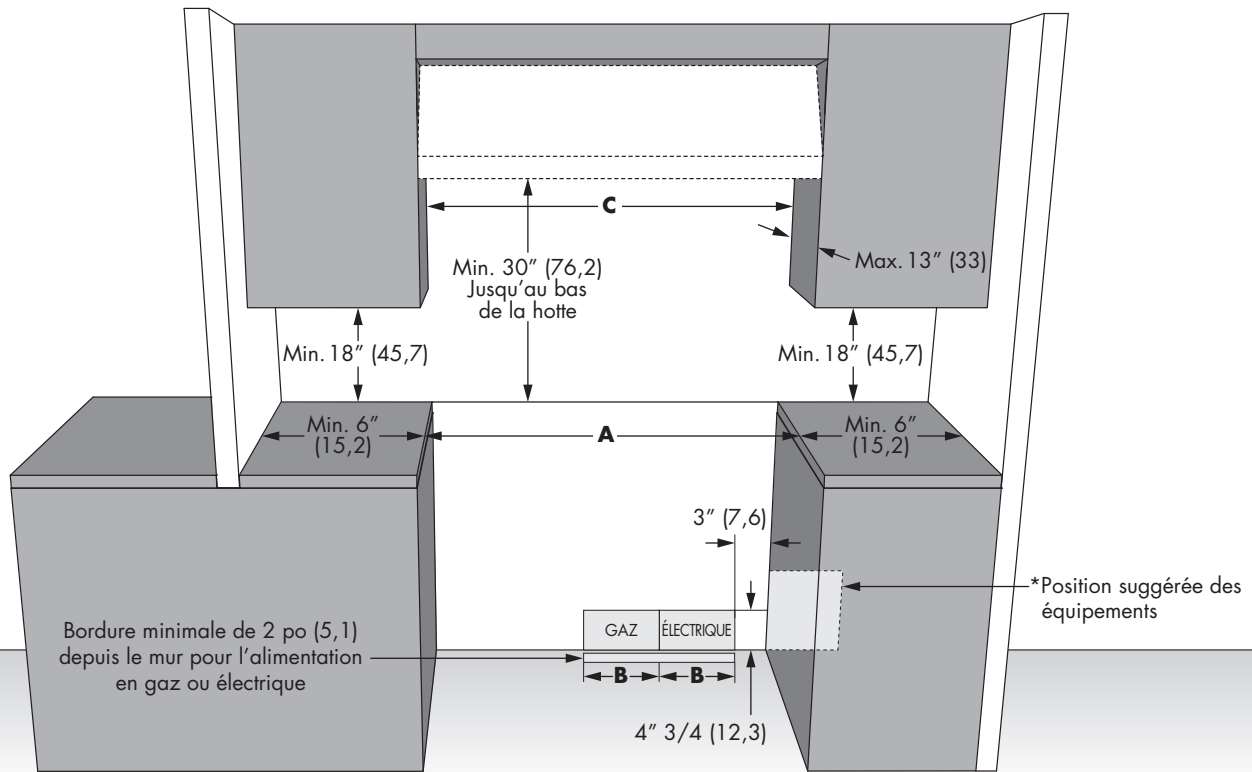
Au Canada, l'installation de cette table de cuisson doit être conforme aux normes en vigueur CAN/CSA-Z240 - dernière édition ou aux réglementations locales.

DIMENSIONS DU PRODUIT

Modèles de cuisinière 30"



DISPOSITIONS POUR LA DÉCOUPE



La totalité de la surface du mur arrière ainsi que la surface se trouvant au-dessus de la table de cuisson doit être faite d'une matière ignifuge.
 * Consulter les réglementations locales pour les exigences exactes de localisation.

LARGEUR D'OUVERTURE	A & C	B
Cuisinière 30 po	30" (76,2)	6" (15,2)
Cuisinière 36 po	36" (91,4)	7" (17,8)

ESPACE SUPPLÉMENTAIRES:

Pour une installation en îlot, maintenir une distance minimum de 6,3 cm (2 ½ po) entre le bord et le dos du comptoir et 7,6 cm (3 po) minimum sur les côtés du comptoir (voir vue de dessus).

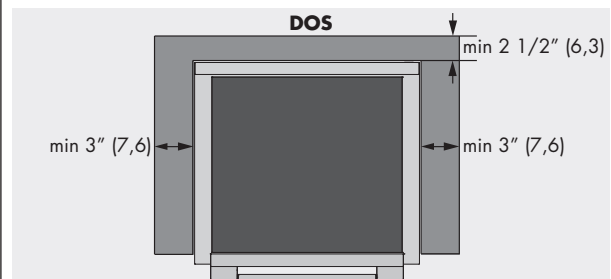
Remarque: La distance par rapport aux matériaux non combustible doit respecter les réglementations locales ou, en l'absence de celles-ci, avec le « National Fuel Gas Code », ANSI Z223.1/ NFPA 54.

Dégagements minimums d'une construction:

Au-dessus de la surface de cuisson [au-dessus de 36 po (91,4 cm)]

- Côtés - 3 po (7,6 cm)
- Avec un dégagement latéral de 3 po (7,6 cm) ou moins, les placards muraux ne mesurant pas plus de 13 po (33 cm) de profondeur doivent se trouver à 18 po (45,7 cm) minimum au-dessus de la surface de cuisson.
- Les armoires murales juste au-dessus du produit doivent se trouver à 30 po (76.2 cm) minimum au-dessus de la surface de cuisson, ne mesurant pas plus de 13 po (33 cm).
- Arrière - 0 po avec dossier de 3 po (7,6 cm).

INSTALLATION ÉBARBER



Avant de déplacer la cuisinière, protégez tout plancher fini et fixez la (les) porte(s) du four en position fermée pour éviter tout dommage.

Disposition de hotte d'extraction:

Il est recommandé d'installer nos cuisinières avec une hotte d'extraction suspendue.

Installez une hotte disposant d'une capacité d'évacuation d'au moins 450 CFM.

Cet appareil produisant une importante quantité de chaleur, vous devez porter une attention toute particulière à l'installation de la hotte et de la conduite d'aération afin de vous assurer qu'elle répond aux normes de construction en vigueur dans votre région.

⚠ AVERTISSEMENT

Il faut prévoir les dégagements ci-dessous par rapport aux surfaces horizontales qui se trouvent au-dessus de la cuisinière.

Le non-respect de cette consigne pourrait présenter un risque d'incendie.

- Pour les installations dépourvues de hotte, prévoyez un espace minimum de 30" (76 cm) entre l'appareil et tout élément inflammable situé au-dessus de celui-ci.
- Pour obtenir les spécifications relatives aux espaces d'autres installations pourvues d'une hotte, veuillez vous reporter aux instructions fournies avec celle-ci

⚠ ATTENTION

Ces cuisinières pèsent plus de 180 kg. Afin d'éviter tout risque de blessure ou d'endommagement de l'appareil et compte tenu du poids et de la taille de la cuisinière: **DEUX PERSONNES SONT NÉCESSAIRES POUR UNE INSTALLATION ADÉQUATE DES CUISINIÈRES.**

Instructions d'installation des supports anti-bascules

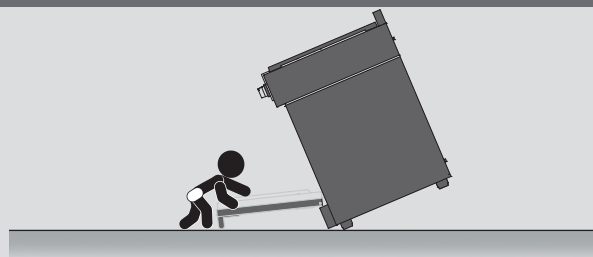
⚠ AVERTISSEMENT

Risque de basculement

Un enfant ou une personne adulte peut faire basculer la cuisinière, ce qui peut causer un décès. S'assurer que le dispositif antibasculé est réengagé lorsque la plage est déplacée.

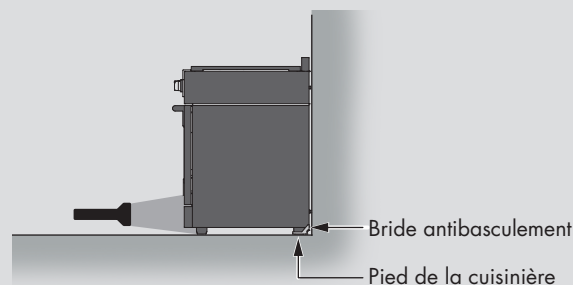
Ne pas faire fonctionner la cuisinière si la bride antibasculé n'est pas installée et engagée. Le non-respect de ces instructions peut causer un décès ou des brûlures graves aux enfants et aux adultes.

⚠ AVERTISSEMENT

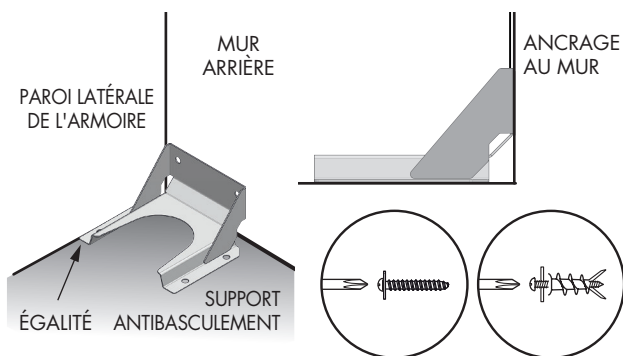


Pour vérifier que la bride anti-basculement est bien installée et engagée:

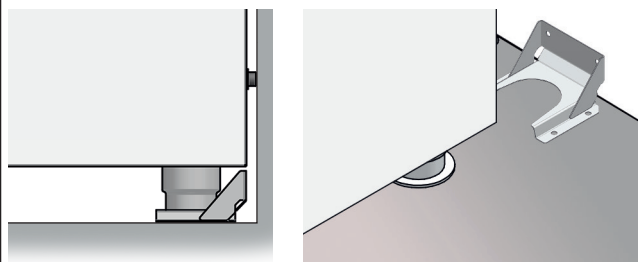
- Faire glisser la cuisinière vers l'avant.
- Vérifier que la bride antibasculé est bien fixée au plancher ou au mur.
- Faire de nouveau glisser la cuisinière vers l'arrière de sorte que le pied de la cuisinière se trouve sous la bride antibasculé.
- Voir les instructions d'installation pour plus de détails.



INSTALLATION DE LA BRIDE ANTI-BASCULEMENT



Pour les constructions en ciment ou béton: Vous devez utiliser les éléments de fixation appropriés (non fournis). Fixez le support sur le sol et/ou le mur à l'aide des 4 vis à bois (fournies).



Le support anti-basculé devrait être inséré dans l'ouverture de l'équerre antibasculé sur la cuisinière.

**AVERTISSEMENT****• Risque du fait du poids excessif**

Soyez à deux personnes ou plus pour porter et installer la cuisinière. Sinon, vous risquez de vous blesser au dos ou de subir d'autres blessures.

• Risque de coupure

Méfiez-vous des bords tranchants et des extrémités du polystyrène lorsque vous portez le produit. Sinon, vous risquez de vous couper ou de vous faire légèrement mal.

Ne pas boucher le flux d'air au niveau de l'ouverture de ventilation du four ni au-dessous du panneau frontal inférieur de la cuisinière. Éviter de toucher les ouvertures de ventilation ou les surfaces voisines car ces surfaces pourraient se réchauffer pendant que le four est en service.

CHOIX DE LA POSITION DE LA CUISINIÈRE

Choisissez attentivement l'emplacement d'installation de la cuisinière.

La cuisinière doit être positionnée pour être utilisée dans la cuisine, mais loin des courants d'air.

Une porte ou une fenêtre ouvertes, l'air mis en mouvement par les ventilateurs de chauffage/climatisation peuvent causer des courants d'air forts.

**NOTE IMPORTANTE**

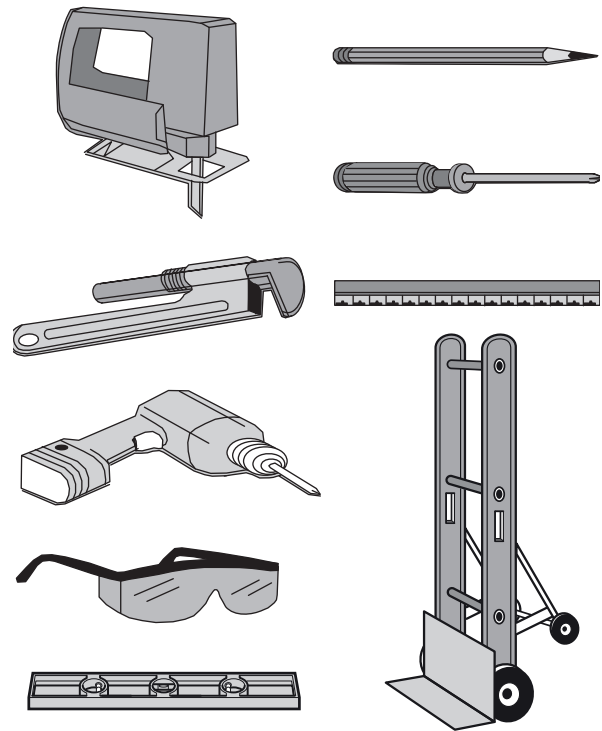
Si vous installez la cuisinière contre une surface combustible, veillez à prévoir un minimum de rehausse.

Respectez toutes les distances par rapport aux surfaces combustibles qui sont indiquées dans les pages précédentes

Avant de déplacer la cuisinière, protégez le sol et fixez la porte du four en position fermée afin de prévenir tout dommage.

Évitez absolument de soulever ou de porter la cuisinière en la tenant par la poignée de la porte.

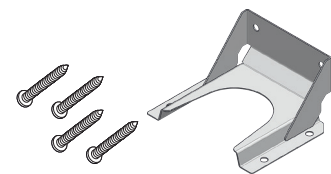
Pour éliminer le risque de brûlure ou d'incendie à cause d'une surchauffe de la surface des unités, évitez de placer une armoire de rangement au-dessus de l'unité. Si vous avez une armoire au-dessus de la cuisinière, vous pouvez réduire le risque en installant à une certaine distance au-dessous de la partie inférieure de l'armoire un écran de protection qui projette horizontalement.

LES OUTILS DONT VOUS AUREZ BESOIN

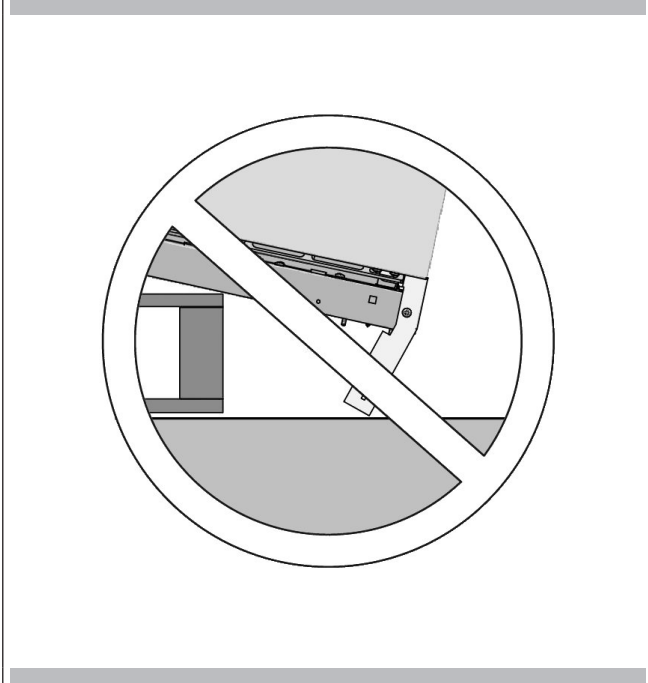
Avant de commencer l'installation, enlevez les matériaux d'emballage et les manuels d'explication sur la table de cuisson; puis retirez du manuel d'explication, les instructions concernant l'installation et lisez-les avec attention.

MATÉRIEL FOURNI

SUPPORT
ANTIDÉRAPANT,
ÉQUERRE ET VIS



Ne faites pas basculer la cuisinière sur le côté lors de l'installation des pieds. Les côtés ne sont pas conçus pour supporter le poids de la cuisinière et se plient. Tout dommage résultant d'un basculement ne sera pas couvert par la garantie. Suivez la méthode décrite dans le manuel d'installation fourni.



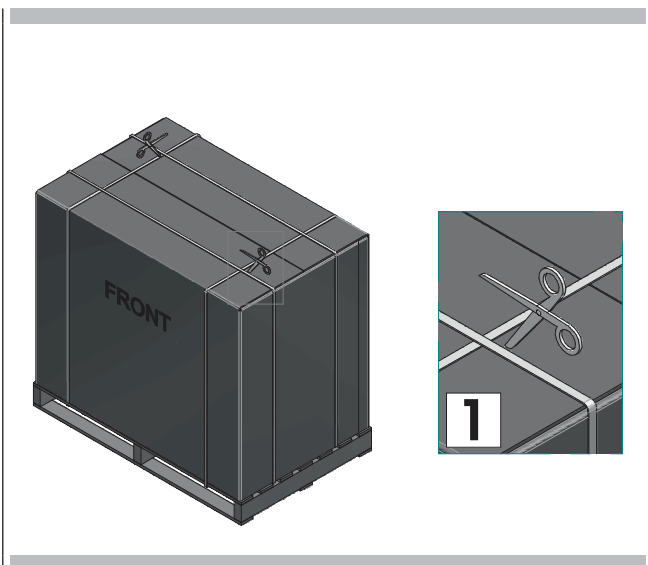
ÉTAPE 1

Coupez les rubans (1) et retirez les instructions d'installation du dessus de la cuisinière et lisez-les attentivement avant de commencer.



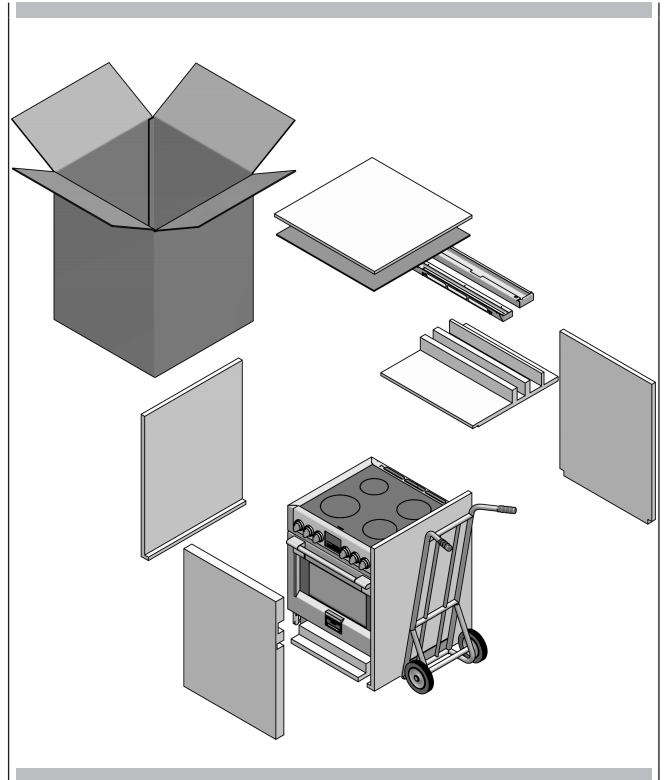
ATTENTION

Tenez-vous à distance. Les extrémités des bandes coupées pourraient se retourner contre vous.



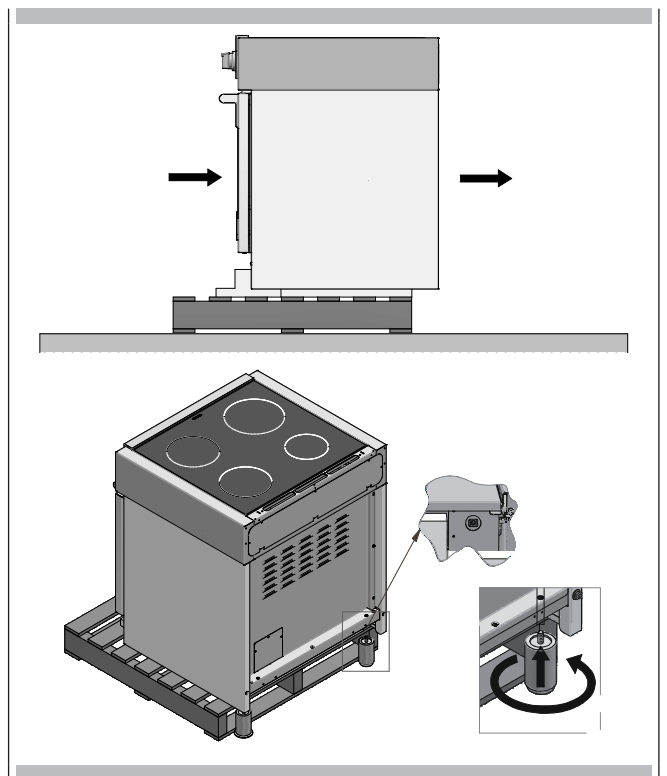
ÉTAPE 2

Ouvrez le dessus et retirez les accessoires, puis soulevez le fourreau de carton.



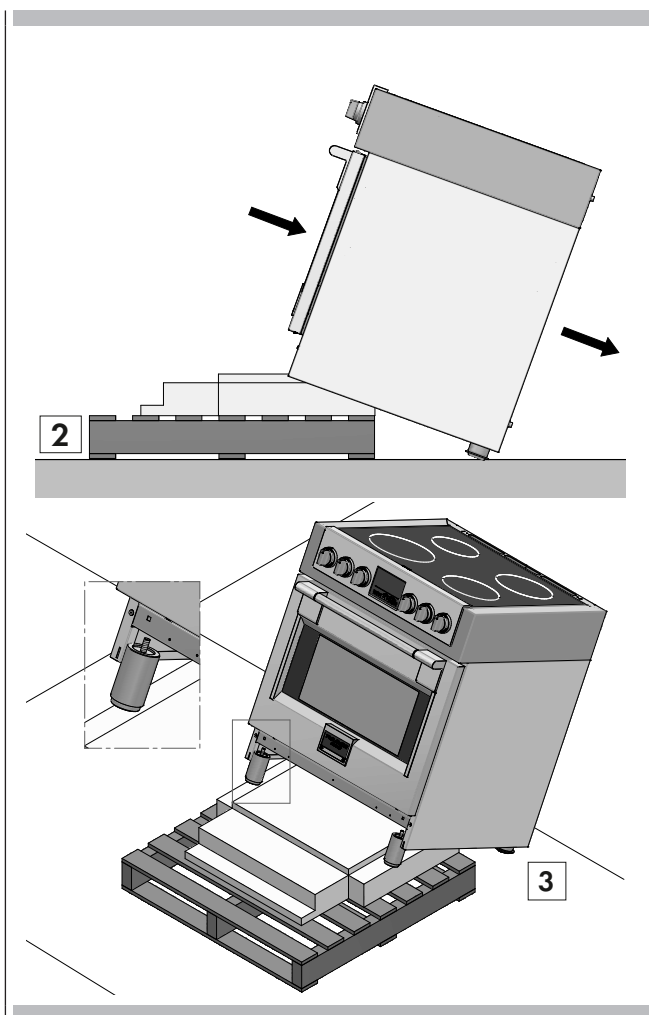
ÉTAPE 3

Faites glisser la cuisinière juste assez pour permettre aux pieds arrière de prendre appui.



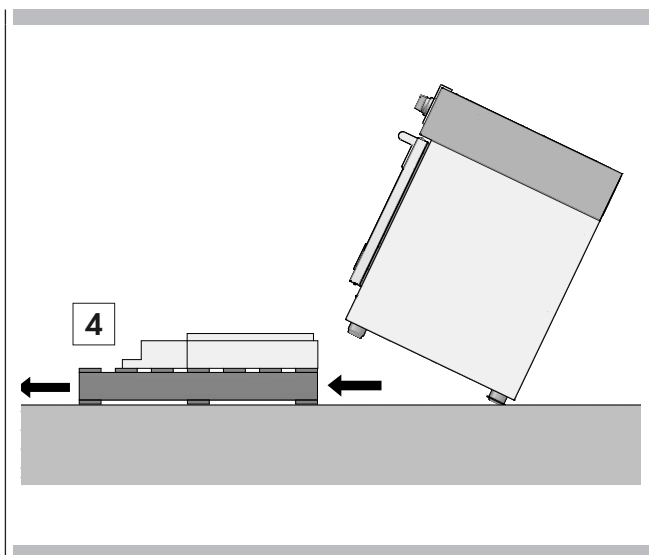
ÉTAPE 4

Faites glisser vers l'arrière un peu plus (2), en plaçant les pieds arrière sur le sol, puis montez les pieds avant (3) avec cette position inclinée supportés par les pieds arrière et le patin de protection.



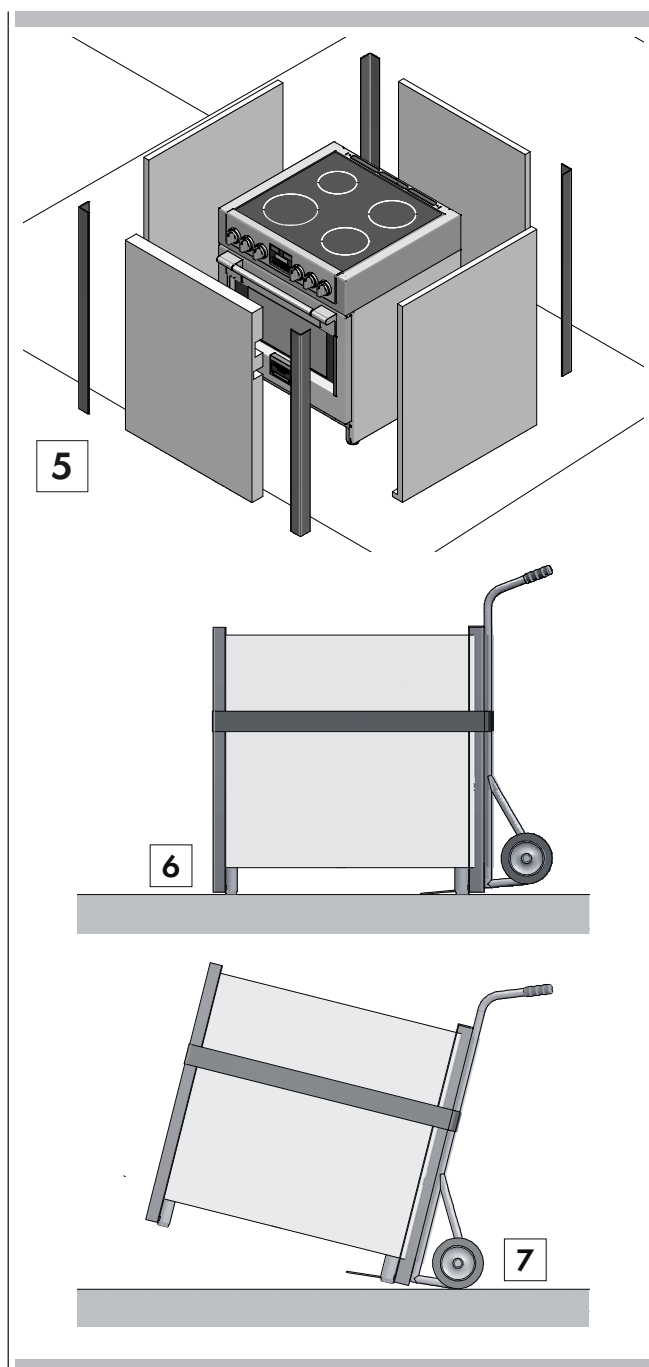
ÉTAPE 5

Retirez la base tout en soutenant l'avant de la cuisinière (4) et abaissez vers le sol d'une manière contrôlée.



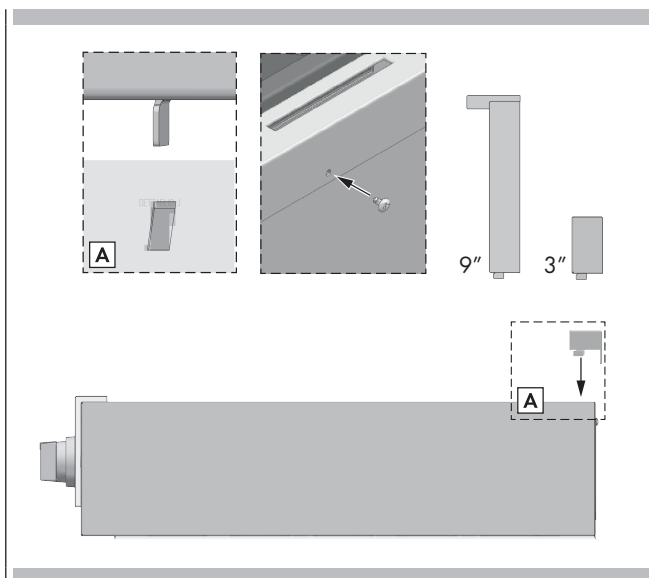
ÉTAPE 6

Dans ce cas, il est nécessaire de déplacer la cuisinière ; en utilisant l'emballage en mousse et/ou en carton (5), replacez-les autour de la cuisinière de façon stratégique pour protéger les surfaces finies de la cuisinière d'un contact avec le transpalette et tous les rubans autour de l'appareil (6). Dans le cas de cuisinières plus petites, vous pouvez utiliser cette technique pour décoller la cuisinière du patin et installer les pieds (7). Inclinez la cuisinière pour abaisser les roues du transpalette et décollez la machine sur le sol sur les côtés gauche et droit de l'ouverture lorsque vous placez l'appareil dans la position finale pour protéger le sol. Le(s) porte(s) du four ajoute(nt) au poids global de la cuisinière, vous pouvez trouver utile de retirer les portes lorsque vous déplacez la cuisinière sur une distance importante. Référez-vous aux manuels d'instruction pour savoir comment retirer et réinstaller les portes.



ÉTAPE 7

Installez la protection arrière (si fournie) à l'aide des trois vis à l'arrière. Dans certains cas, ce sera une protection arrière accessoire qui a été commandée séparément plutôt que celle qui était incluse avec la cuisinière. Référez-vous aux instructions incluses avec tout accessoire pour des exigences d'installation spécifique.



ÉTAPE 8

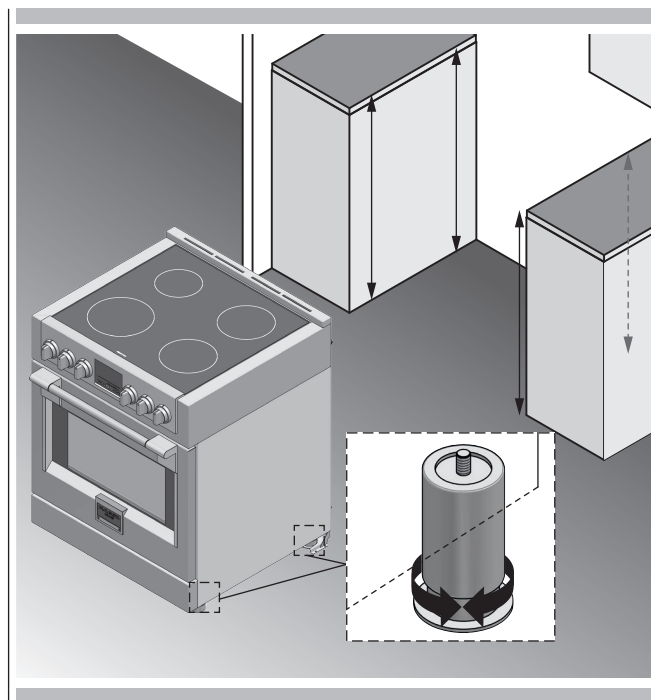
Après le raccordement électrique (voir les paragraphes d'instructions correspondants), mesurez la hauteur aux quatre coins pour vérifier si le sol est nivelé. Réglez les pieds de mise à niveau à la hauteur désirée et assurez-vous que la cuisinière est à l'horizontale. Tournez la section inférieure de chaque pied en sens anti-horaire pour élever le pied et dans le sens horaire pour l'abaisser.



IMPORTANT

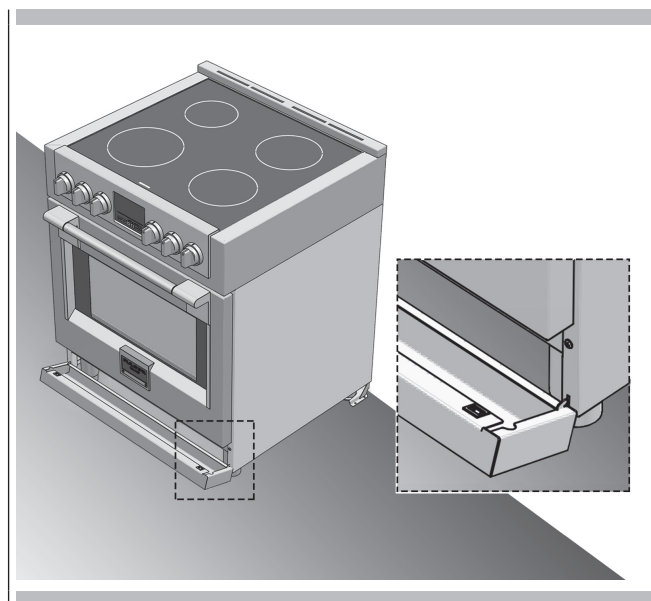
Lorsque l'appareil est mis sous tension pour la première fois, il faut effectuer un test du verrou de la porte de sécurité. Assurez-vous que les portes sont réinstallées si elles ont été retirées pour faciliter le mouvement de la cuisinière avant de mettre l'appareil sous tension. N'ouvrez pas la porte du four et ne tentez pas d'utiliser le four tant que vous n'êtes pas sûr que le test a été effectué avec succès. L'ouverture ou la fermeture de la porte pendant le test pourrait provoquer des dommages au mécanisme du verrou. Référez-vous aux manuels d'instruction pour plus de détails si nécessaire.

Assurez-vous que le sol est protégé. Faites glisser l'appareil en place en vous assurant d'engager le support anti-inclinaison.



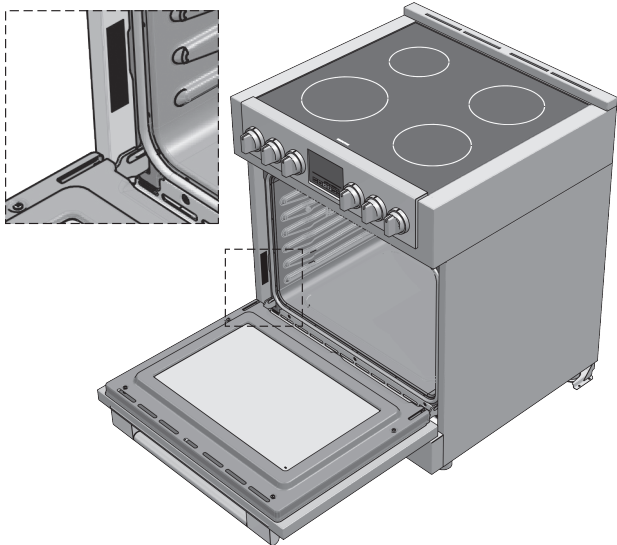
ÉTAPE 9

Accrochez les languettes en bas du coup de pied dans les emplacements sur les deux côtés du cadre et faites le pivoter jusqu'à ce que les aimants en haut du coup de pied établissent le contact et mettez-la en place de façon ferme.



Avant d'installer le four, faites vérifier par un électricien compétent que votre installation électrique domestique est correcte et qu'en ajoutant le four, vous n'allez pas surcharger le circuit de dérivation sur lequel il est installé. Votre appareil doit être convenablement installé et connecté à la terre par un électricien qualifié. Demandez à votre revendeur de vous conseiller un technicien qualifié ou un centre de réparation agréé. Cet appareil est fabriqué avec un câble de TERRE vert connecté avec le bâti du four. Position de la boîte de raccordement ou de la boîte encastrée. Pour la position suggérée de la boîte de raccordement ou de la boîte encastrée, voir le paragraphe « Exigences de découpe ».

POSITION DE LA PLAQUE SIGNALÉTIQUE



Les normes et réglementations locales prévalent sur ces instructions.

Effectuez les connexions électriques conformément aux normes et réglementations locales. Un raccord de conduit conforme UL doit être prévu à chaque extrémité du conduit d'alimentation électrique (à la cuisinière et à la boîte de raccordement).

- Les dimensions des fils et les connexions doivent être adaptées aux valeurs nominales de la cuisinière.

États-Unis:

Assurez-vous que les branchements électriques et ceux de mise à la terre ainsi que la taille des câbles soient conformes à la dernière édition du code américain National Electrical Code, ANSI/ NFPA 70 et aux standards et aux réglementations locales.

Canada:

Assurez-vous que l'alimentation électrique et les dimensions des fils sont adaptées et conformes au CSA Standard C22.1, Canadian Electrical Code, Part 1 -dernière édition et tous les codes et réglementations locaux.



AVERTISSEMENT

Risque de choc électrique, bâti mis à la terre connecté au neutre de l'appareil à travers un lien

Il est interdit d'effectuer la mise à la terre à travers le conducteur neutre pour l'installation d'un circuit de dérivation neuf (1996 NEC); les maisons mobiles et les véhicules de loisirs, ou dans une zone dans laquelle la mise à la terre à travers le conducteur neutre est interdite. Pour installations dans lesquelles la mise à la terre à travers le conducteur neutre est interdite :

- Déconnecter la terre du neutre à l'extrémité libre du circuit.
- Utiliser le terminal de mise à la terre ou le porter jusqu'à l'unité de mise à la terre.
- Utiliser le terminal neutre ou le porter jusqu'au neutre du circuit de dérivation en procédant comme d'habitude.

Le four est conçu pour être raccordé à une alimentation électrique à trois ou quatre fils, monophasée, 120/240 ou 120/208 Volt, 60 Hz AC, sur un circuit séparé doté de fusibles sur les deux côtés de la ligne (il est recommandé de prévoir un sectionneur ou un fusible temporisé). Ne pas installer de fusible sur le neutre.

REMARQUE: POUR UTILISATION AVEC TENSION D'ALIMENTATION 208 V, 60 HZ, VOIR LES RACCORDEMENTS À UN CIRCUIT 208 V.

EXIGENCES ÉLECTRIQUES CUISINIÈRES À UN FOUR 30"

Alimentation électrique	120/240 ou 120/208 volts CA, 60 Hz	
Service	circuit dédié de 50 ampères	
Intensité électrique	120/240V	45.8 Ampères
	120/208V	48.5 Ampères
Charge max. de connexion	120/240V	11.00 kW
	120/208V	10.00 kW
Fil d'alimentation min.	L1, L2, mis à la terre	8 AWG
	Neutre	10 AWG

EXIGENCES ÉLECTRIQUES CUISINIÈRES À UN FOUR 30" *

Alimentation électrique	120/240 ou 120/208 volts CA, 60 Hz	
Service	circuit dédié de 50 ampères	
Intensité électrique	120/240V	61.0 Ampères
	120/208V	63.0 Ampères
Charge max. de connexion	120/240V	14.60 kW
	120/208V	13.30 kW
Fil d'alimentation min.	L1, L2, mis à la terre	8 AWG
	Neutre	10 AWG

(*) Le modèle de 36 pouces utilise un logiciel de gestion de l'alimentation qui maintient la charge maximale en dessous de 50 ampères



AVERTISSEMENT

DANGER D'ÉLECTROCUTION

- L'alimentation électrique du circuit du branchement du appareil doit être coupée lorsque les connexions des lignes sont mises en place.
- N'utilisez pas de cordon d'extension avec cet appareil.
- Une mise électrique à la terre est nécessaire pour cet appareil.
- L'extrémité libre du fil vert (le fil de garde) doit être connectée à la masse appropriée. Ce fil doit rester branchée à la masse au appareil.
- Si un tuyau d'eau froide est interrompu par un plastique, des joints non métalliques; des connexions d'union ou d'autres matériaux isolants. NE L'UTILISEZ pas pour mettre à la masse.
- Ne branchez pas la masse à un tuyau à gaz.
- N'AYEZ PAS de fusible en position neutre ou un circuit à la masse.
- Un fusible dans un circuit neutre ou à la masse pourrait entraîner une électrocution.
- Vérifiez avec un électricien qualifié si vous avez un doute si votre appareil est correctement raccordé à la masse.
- Si vous ne suivez pas bien ces instructions, cela peut entraîner des blessures graves ou la mort.

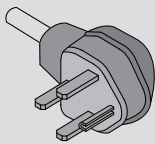
CAUTION

Ne réparez ou ne remplacez pas des pièces de l'appareil si ce n'est pas spécifiquement recommandé dans le manuel. Tous les autres dépannages doivent être effectués par un technicien qualifié. Ce qui réduirait les risques de blessures et d'endommagements du appareil. Ne modifiez jamais ou n'altérez jamais la construction de l'appareil en enlevant des panneaux, des couvertures de fil, des vis, ou toute autre pièce du produit.

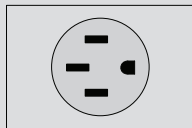
Câble d'alimentation électrique branché à l'usine

Votre cuisinière est équipée d'un câble d'alimentation installé à l'usine. Le câble doit être raccordé à une prise mise à la terre de 120/240 V ou 120/208 V. S'il n'y a pas de prise disponible, faites-en installer une par un électricien qualifié.

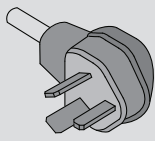
CABLE DE ALIMENTACIÓN ELÉCTRICA



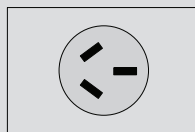
NEMA 14-50P Plug



NEMA 10-50P Plug



NEMA 14-50R Receptacle



NEMA 10-50R Receptacle
(solamente para US)

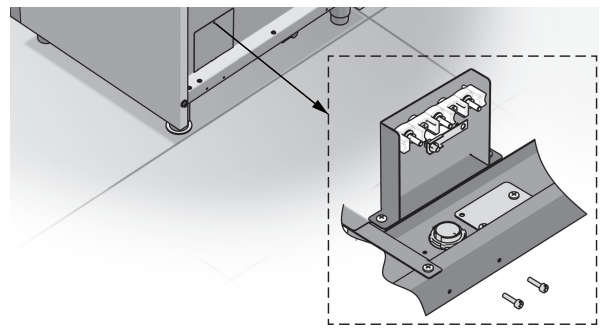
Cordon d'alimentation électrique ou conduit flexible (uniquement pour US)

L'utilisateur est responsable du branchement du cordon d'alimentation électrique au bloc de raccordement qui se trouve derrière le portillon d'accès du panneau postérieur. L'appareil doit être raccordé avec un cordon d'alimentation électrique. Utiliser uniquement un cordon d'alimentation à 125/250 V min. et adapté à l'utilisation avec des cuisinières. Le cordon doit avoir 3 ou 4 conducteurs. Les terminaux à l'extrémité des câbles doivent être fermés en boucle ou par des cosses à fourche à extrémités recourbées.

Pour les cuisinières de 30" et 36", utiliser un cordon d'alimentation calibré à au moins 50A destiné à être utilisé avec des ouvertures de connexion de diamètre nominal de 1-3/8 in (34.93 mm).

- 1) Débrancher l'alimentation.
- 2) Enlever les vis du couvercle de la plaque à bornes située dans la partie postérieure de la cuisinière.

POSICIÓN DEL EMPALME ELÉCTRICO

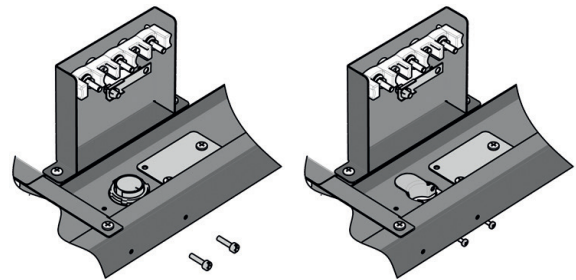


- 3) Ajouter le dispositif de décharge si non fourni.
- REMARQUE: si nécessaire, enlever le prédécoupé pour mettre en place le dispositif de décharge.

Dispositif de décharge du cordon d'alimentation électrique

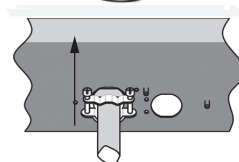
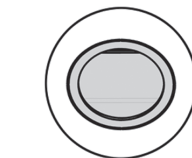
- Installer dans l'ouverture un dispositif de décharge homologué UL.

AÑADIR EL DISPOSITIVO DE DESCARGA SI NO HA SIDO ENTREGADO

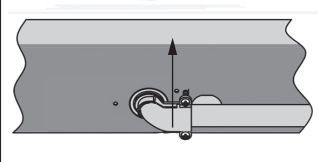
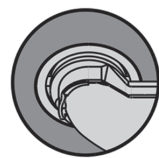


- Introduire le cordon d'alimentation ou le conduit flexible à travers le dispositif de décharge jusqu'à la plaque située sur le fond de la cuisinière. Laisser suffisamment de jeu pour fixer confortablement le câblage à la plaque à bornes.
- Serrer la vis du dispositif de décharge contre le câble d'alimentation électrique ou le conduit flexible.

CABLE DE ALIMENTACIÓN


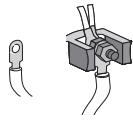

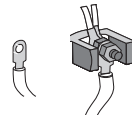
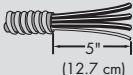
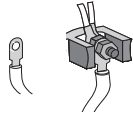
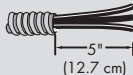
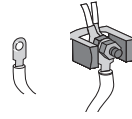


TUBO FLEXIBLE

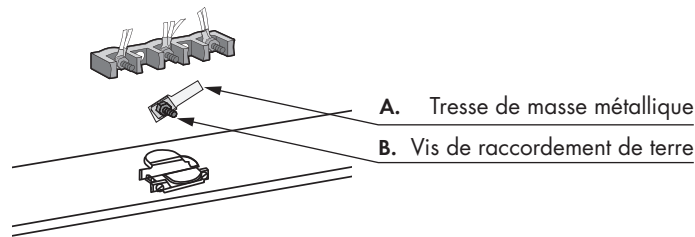


- 4) Terminez l'installation en suivant les instructions adaptées à votre type de connexion électrique :
 - 4 fils (recommandé)
 - 3 fils (si la connexion à 4 fils n'est pas disponible)

OPTIONS DE CONNEXION ÉLECTRIQUE

SI VOTRE CONNEXION RÉSIDENIELLE EST:	ET VOUS ALLER CONNECTER À:	TYPE DE CONNEXION:	SI VOTRE CONNEXION RÉSIDENIELLE EST:	ET VOUS ALLER CONNECTER À:	TYPE DE CONNEXION:
4 fils réceptacle (NEMA type 14-50R) 	homologué UL A, 250 V min., 50 A, cordon d'alimentation de la cuisinière		3 fils réceptacle (NEMA type 10-50R) 	homologué UL A, 250 V min., 50 A, cordon d'alimentation de la cuisinière	
4 fils déconnecteur 	à fusible direct A ou boîte de disjoncteurs		3 fils déconnecteur 	à fusible direct A ou boîte de disjoncteurs	

BORNIER – CÂBLE DE TERRE



Connexion 4 fils

Enlever une partie de tresse de masse métallique.

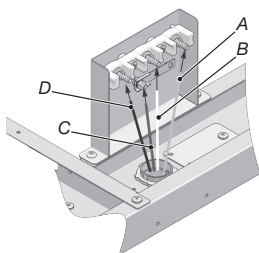
- 1) À l'aide d'un tournevis Philips, enlever la vis de raccordement de terre de la partie arrière de la cuisinière. Garder la vis de raccordement de terre et l'extrémité du raccordement de terre sous la vis.
- 2) Acheminer le cordon d'alimentation électrique à travers le dispositif de décharge jusqu'à la plaque pour cordon/conduit située sur le fond de la cuisinière. Laisser suffisamment de jeu pour fixer confortablement le câblage à la plaque à bornes.
- 3) À l'aide du tournevis Philips, connecter le câble vert de terre du cordon d'alimentation électrique à la cuisinière moyennant la vis de raccordement de terre. Fixer d'abord le câble de terre.
- 4) À l'aide d'un tournevis à douille 3/8", connecter le câble neutre (blanc) au bloc à bornes d'entrée moyennant un écrou hexagonal 10-32. (Consulter le tableau « Options de connexion électrique » pour le type de raccordement approprié)
- 5) Raccorder les câbles ligne 1 (noir) et ligne 2 (blanc) au bloc à bornes extérieur avec des écrous hexagonaux 10-32.
- 6) Serrer à fond les écrous hexagonaux.
- 7) Remettre en place le portillon d'accès au bloc à bornes.

Connexion 3 fils

N'utiliser cette méthode que si les réglementations locales permettent de raccorder le conducteur de terre du bâti au câble neutre du cordon d'alimentation électrique:

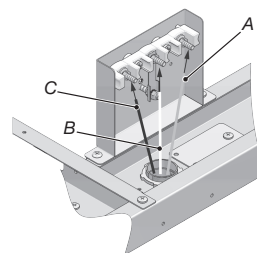
- 1) Introduire le cordon d'alimentation à travers le dispositif de décharge jusqu'à la plaque située sur le fond de la cuisinière. Laisser suffisamment de jeu pour fixer confortablement le câblage à la plaque à bornes.
- 2) À l'aide d'un tournevis à douille 3/8", connecter le câble neutre (blanc) au bloc à bornes d'entrée moyennant un écrou hexagonal 10-32. (Consulter le tableau « Options de connexion électrique » pour le type de raccordement approprié)
- 3) Raccorder les câbles ligne 1 (noir) et ligne 2 (rouge) au bloc à bornes extérieur avec des écrous hexagonaux 10-32.
- 4) Serrer à fond les écrous hexagonaux.
- 5) Remettre en place le portillon d'accès au bloc à bornes.

CONNEXION À 4 FILS GAMME INDUCTION "30"



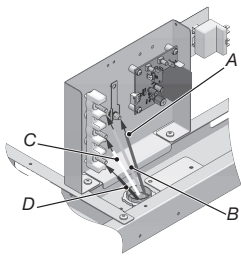
- A. Rouge
- B. Blanc
- C. Vert
- D. Noir

CONNEXION À 3 FILS GAMME INDUCTION "30"



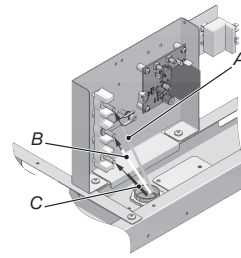
- A. Rouge
- B. Blanc
- C. Noir

CONNEXION À 4 FILS GAMME INDUCTION "36"



- A. Vert
- B. Rouge
- C. Blanc
- D. Noir

CONNEXION À 3 FILS GAMME INDUCTION "36"



- A. Rouge
- B. Blanc
- C. Noir

Connexion directement au disjoncteur, à la boîte à fusibles ou à la boîte de jonction

Si l'appareil est raccordé directement au disjoncteur, à la boîte à fusibles ou à la boîte de jonction, utiliser un câble en cuivre engainé flexible, blindé ou non métallique (avec câble de mise à la terre).

3-CÂBLAGE DU CIRCUIT DE DÉRIVATION (US seulement)

Voir la figure A pour toute consultation :

Si les codes locaux permettent de raccorder le fil de TERRE de la cuisine au fil NEUTRE du circuit de dérivation (fil gris ou blanc) :

- Si les réglementations locales le permettent, raccorder le câble vert de TERRE partant de la cuisinière et le câble blanc allant du four au fil NEUTRE di circuit de dérivation (fils gris ou blanc).
- Connecter les fiches noire et rouge de la cuisinière aux correspondantes sur la boîte de jonction.

NE PAS effectuer le raccordement de terre sur un tuyau d'amenée de gaz.

NE PAS connecter à l'alimentation électrique tant que l'appareil n'a pas été mis à la terre de façon permanente. Connecter le fil de terre avant de mettre l'appareil sous tension.

4-CIRCUIT DE DÉRIVATION 4 FILS (US seulement)

Voir la figure B pour toute consultation :

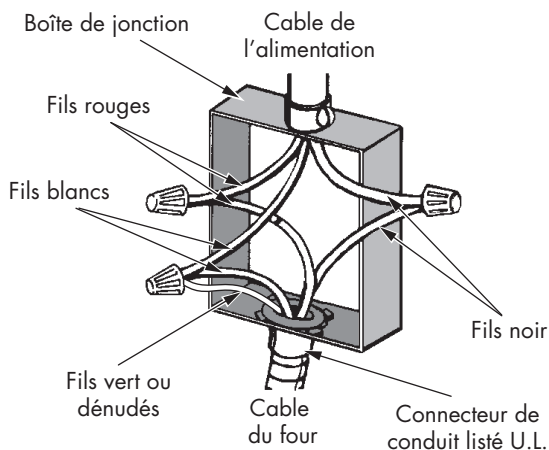
- Déconnecter la terre du neutre à l'extrémité libre du conduit.
- Raccorder le fil de TERRE vert de la cuisine au fil de TERRE de la boîte de jonction (fil nu ou vert).
- Connecter les fiches noire et rouge de la cuisinière aux correspondantes sur la boîte de jonction.
- Raccorder le fil blanc de la cuisinière au NEUTRE (gris ou blanc) de la boîte de jonction.

NE PAS effectuer le raccordement de terre sur un tuyau d'amenée de gaz.

NE PAS connecter à l'alimentation électrique tant que l'appareil n'a pas été mis à la terre de façon permanente. Connecter le fil de terre avant de mettre l'appareil sous tension.

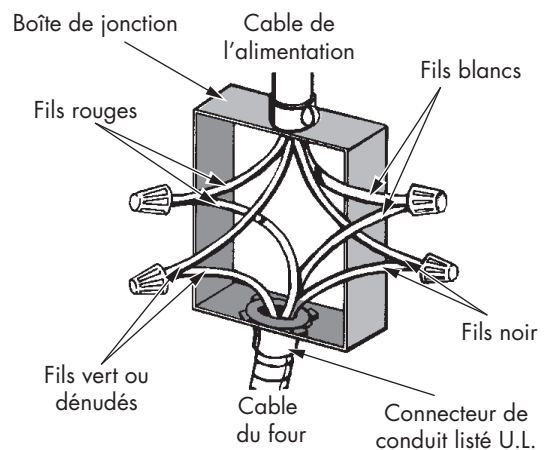
NEUTRE MIS À LA TERRE

A



NEUTRE NON MIS À LA TERRE

B



Afin d'éviter des erreurs de raccordement pouvant porter à la détérioration des composants électriques et à la perte d'effet de la garantie, suivre les indications suivantes :

1. Vérifier les conditions électriques requises et s'assurer que l'alimentation électrique est correcte et que la cuisinière est mise à la terre correctement.
2. Avant que la cuisinière ne soit branchée, branchez l'alimentation principale.
3. Vérifier l'arrivée de courant aux câbles de la boîte de jonction à l'aide d'un voltmètre ayant une plage de travail de 0-250 VAC. Si vous avez installé le four pour l'utiliser sous une alimentation de 240 V, le voltage affiché entre les fils noir et rouge (ligne à ligne) devrait être compris entre 220 et 240 V. Si vous avez modifié la cuisine pour l'utiliser sous 208 V, le voltage affiché entre les fils noir et rouge devrait être compris entre 190 et 208 V.

Retirez les matériaux d'emballage et la documentation du four interne. Gardez la porte fermée car lors de la première mise sous tension, le four effectue un test automatique de verrouillage de la porte.

Si la porte est en position ouverte, le texte « AUTO LOCK » clignotera et le loquet ne bougera pas tant que la porte ne sera pas fermée.

N'essayez pas de rouvrir la porte lorsque le loquet est en mouvement car vous pourriez endommager le mécanisme.

4. Branchez la cuisinière à la source d'alimentation.
5. Régler la minuterie en procédant comme suit :
 - Pressez la touche **TIME** jusqu'à ce que la mention « SET TIME » s'affiche.
 - Pressez immédiatement les touches **+** ou **-** pour régler l'heure.
 - Appuyez encore sur le bouton **TIME** pour changer les minutes.
 - Presser immédiatement les touches **+** ou **-** pour régler les minutes; maintenir enfoncé pour changer de 10 en 10 minutes.
 - Pressez **TIME** ou attendez quelques secondes.

La minuterie est maintenant réglée.

6. Testez le mode de cuisson en procédant de la manière suivante :
 - Placez le bouton de mode de cuisson sur la position « BAKE ».
 - Le ventilateur de refroidissement, les lumières du four et le voyant de préchauffage s'allument.
 - Un bip sonore indique que le four a atteint la température de consigne de 350° °F (175° °C) et le voyant de préchauffage s'éteint.
 - Reporter le bouton à la position « OFF » pour interrompre la cuisson.
7. Pour tester les autres fonctions du four, consulter la section « UTILISATION DES COMMANDES DU FOUR » du manuel d'utilisation et d'entretien.
8. Si le four fonctionne correctement, couper l'alimentation électrique.

9. Mettre le couvercle sur la boîte de jonction et veiller à ce qu'elle soit bien fixée, puis rallumer l'alimentation électrique du four.



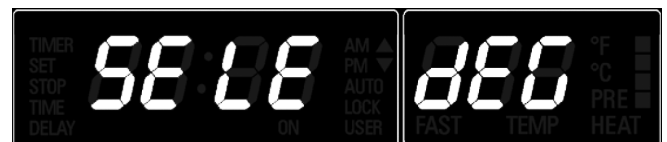
AVERTISSEMENT

Laissez ces instructions d'INSTALLATION et le MANUEL D'UTILISATION ET D'ENTRETIEN au propriétaire.

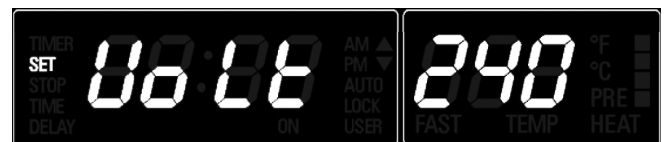
CONNEXION A UN CIRCUIT DE 208 VOLT

Cette option existe pour les régions où le standard de 240 Volt n'est pas disponible. Il faut accéder à cette option quand le appareil est branché à une source d'alimentation, et en utilisant les séquences suivantes :

1. Dans les cinq minutes après avoir allumé le appareil, appuyés sur les clés **MENU** et **TIME** pendant 3 secondes pour entrer le menu option menu utilisateur. L'affichage indique ce qui suit :



2. Appuyez sur les clés **TIME** et **LIGHT** jusqu'à ce que l'écran nes'assombrisse.
3. Appuyez encore sur **MENU** et **LIGHT**, jusqu'à ce quel'affichage horaire indique "Volt" et que le module températureclignote un "240", attendant une entrée.



4. En utilisant les clés **+** ou **-**, la commande alterne entre lesoptions 240V et 208V. Appuyez sur **MENU** pour confirmer.
5. Maintenez les clés **TIME** et **LIGHT** afin de quitter la sélection.
6. Maintenez la clé **MENU** pendant 3 secondes pour quitter lemenu option utilisateur.

Le réglage de la tension est enregistré et gardé même après unelongue coupure.

TABELA DE CONTENIDO	PAGE
1 - Advertencias Especiales	2
Antes de comenzar la instalación	2
Instalación en Casas Móviles	2
2 - Dimensiones del Producto y de Encastre	3
Instructions d'installation des supports anti-bascules	5
3 - Información de instalación	6
4 - Instrucciones para la Instalación	7
5 - Alimentación eléctrica	10
6 - Conexiones eléctricas	12
Conexión de 4 cables	13
Conexión de 3 cables	13
Conexión directa al disyuntor, a la caja de fusibles o a la caja de conexión.	14
7 - Lista de verificación final	15

IMPORTANTE: Guarde estas instrucciones para el uso del inspector eléctrico local.

INSTALADOR: Por favor, deje este manual a propietario para futuras consultas.

PROPIETARIO: Por favor, conserve este manual para futuras consultas.

Preste la debida atención a los siguientes símbolos que encontrará en el manual:

PELIGRO

Si no sigue estas instrucciones de forma INMEDIATA, puede correr peligro de muerte o de resultar gravemente herido.

ADVERTENCIA

- Este es el símbolo de los avisos relacionados con la seguridad: alerta sobre potenciales peligros que pueden derivar en muerte o daños a las personas.
- Si no sigue estas instrucciones, puede correr peligro de muerte o de resultar gravemente herido.

LEA Y CONSERVE ESTAS INSTRUCCIONES.

Instalador:

Deje las instrucciones con el electrodoméstico.

Cliente:

Conserve las instrucciones como referencia futura.

ADVERTENCIA

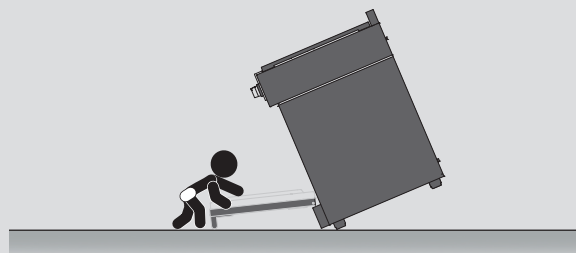
- La inobservancia de las indicaciones recogidas en este manual puede derivar en muerte o en daños a las personas.
- No almacene ni utilice gasolina u otros vapores o líquidos inflamables cerca de este ni otro electrodoméstico.

Instructions d'installation des supports anti-bascules

ADVERTENCIA

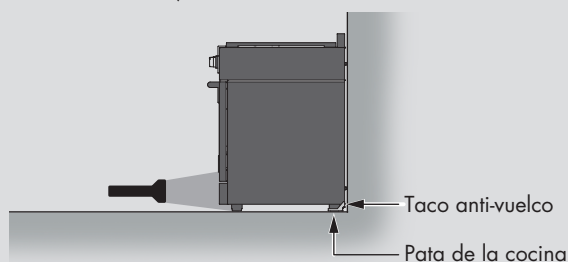
Peligro de vuelco

El vuelco de la cocina es un riesgo para todos, niños y adultos, que puede llegar a provocar la muerte. Cuando se desplace la cocina, comprobar que el taco anti-vuelco está acoplado. No dejar que la cocina funcione sin el taco anti-vuelco instalado y acoplado. El no respeto de estas instrucciones puede provocar quemaduras graves o incluso la muerte para todos, niños y adultos.



Para comprobar que el taco anti-vuelco está instalado y acoplado:

- Deslice la cocina hacia delante.
- Compruebe si el taco anti-vuelco está fijado firmemente al suelo o a la pared.
- Deslice la cocina hacia atrás de tal manera que la pata trasera se encuentre debajo del taco anti-vuelco.
- Para más detalles, consulte las instrucciones de instalación.





INSTRUCCIONES IMPORTANTES



Por favor, lea todas las instrucciones antes de utilizar este aparato.

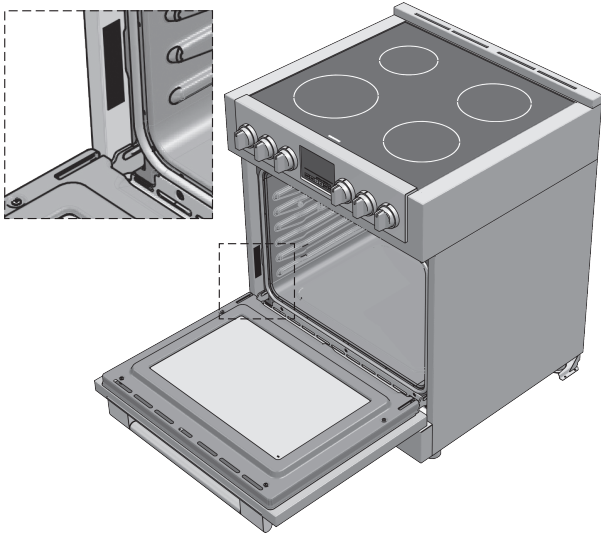
Efectuar una instalación adecuada es responsabilidad suya. Asegúrese de que el electrodoméstico es instalado por un técnico cualificado.



IMPORTANTE

- Cumpla todas las normativas y ordenanzas vigentes aplicables.
- Antes de instalar la cocina, comprobar el modelo y los números de serie. Los dos números se encuentran en la placa de datos en la posición indicada en la figura a continuación

POSICIÓN DE LA PLACA DE SEÑALIZACIÓN



Puede obtener copias de las normas citadas en:

- ** National Fire Protection Association One Batterymarch Park Quincy, Massachusetts 02269
- *** CSA International 8501 East Pleasant Valley Rd. Cleveland, OH 44131-5575

Instalación en Casas Móviles

La instalación de esta placa de cocina debe cumplir con el título 24 CFR, Parte 3280 de las Normas de seguridad y construcción de viviendas prefabricadas o móviles estadounidenses (Manufactured Home Construction and Safety Standards, [anteriormente denominada Federal Standard for Mobile Home Construction and Safety (Norma federal para seguridad y construcción de casas prefabricadas), Title 24 HUD, Part 280]; o, en caso de que dicha norma no sea aplicable, deberá seguirse la pauta marcada por la Norma para instalaciones en casas prefabricadas estadounidense [(Standard for Manufactured Home Installations (Manufactured Home Sites, Communities and Setups), ANSI A225.1 (última edición) o bien, la normativa local existente referente a casas móviles.

Cuando se instala esta cocina en una casa rodante, debe estar sujeta al piso durante el tránsito. Cualquier método de fijación de la cocina al piso es adecuado, siempre que cumpla los estándares detallados anteriormente.

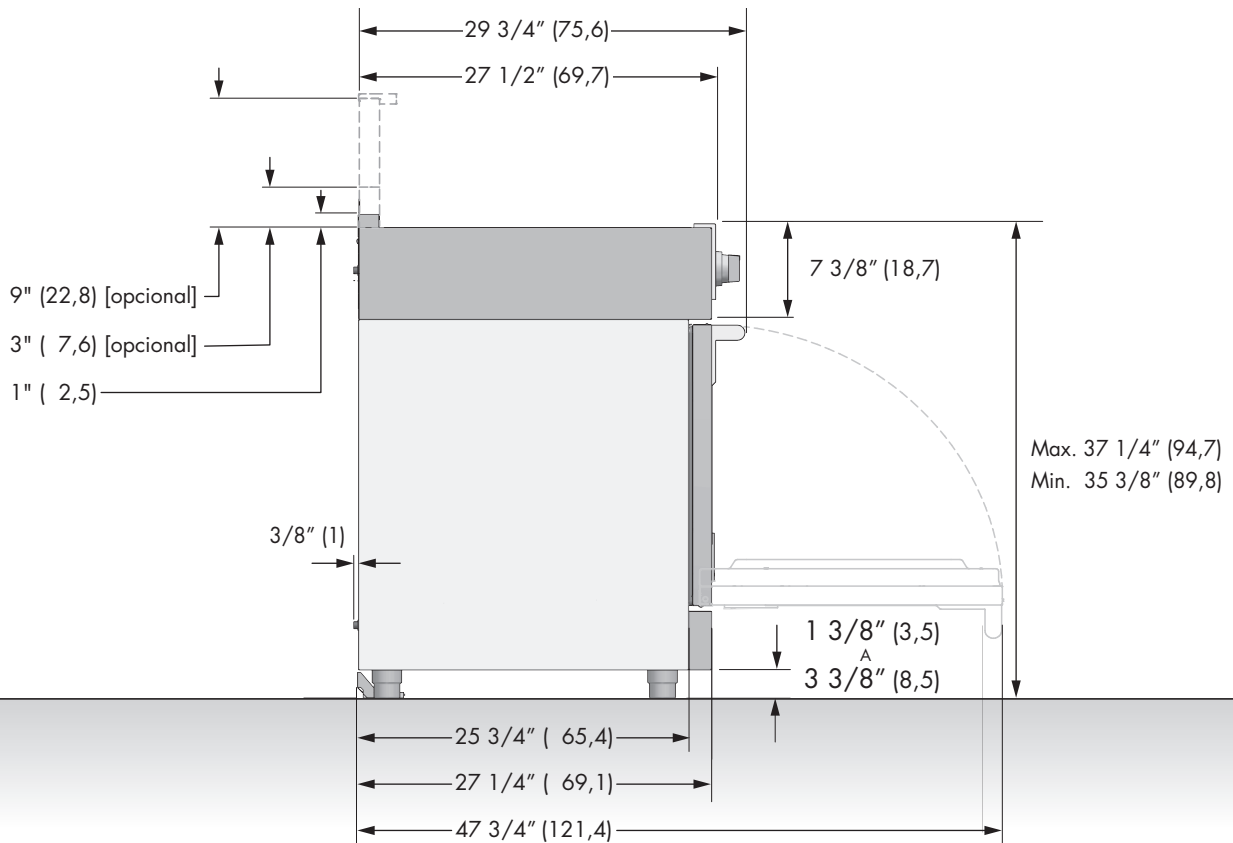
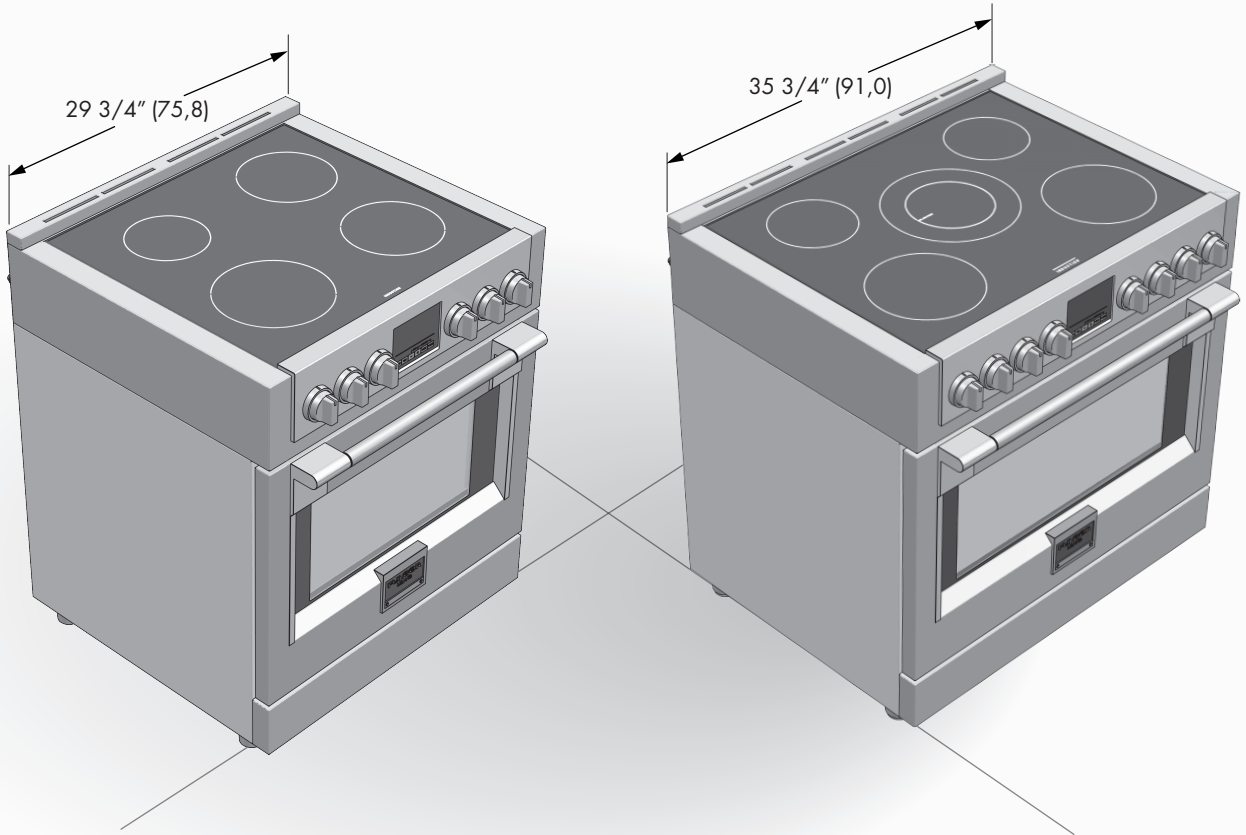
En Canadá, la instalación de esta placa de cocción debe cumplir con las normativas actuales CAN/CSA-Z240 (última edición) o con las normativas locales.

Antes de comenzar la instalación

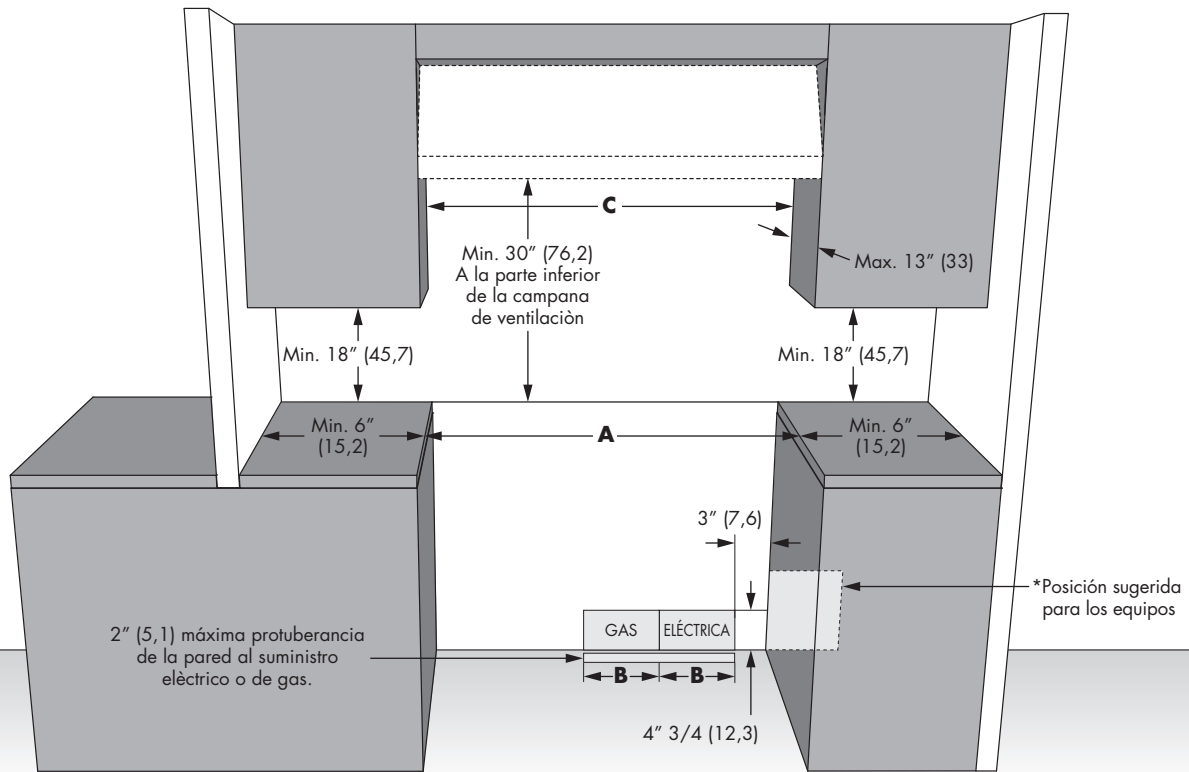
- Examine el lugar en el que va a instalar la placa de cocción. Debe ubicarla en un lugar alejado de fuertes corrientes de aire, como ventanas, puertas y ventiladores.
- Es necesario que el electrodoméstico se conecte a una toma de tierra. Consulte la sección "Conexión eléctrica. Requisitos".
- Debe asegurarse de que la instalación es adecuada y conforme con el Código eléctrico americano (National Electrical Code), ANSI/NFPA 70 (última edición**) o con el Código eléctrico canadiense (Canadian Electrical Code), C 22.1 – 1982 y C22.2 N° 01982 (o la última edición)*** y con todos los códigos y ordenanzas locales.
- Debe asegurarse de que la conexión de gas está conforme con los códigos y ordenanzas locales.

DIMENSIONES DU PRODUCTO

Modelos de cocina de 30" de ancho



DIMENSIONES DE ENCASTRE



La superficie de toda la pared trasera sobre la cocina y por debajo de la capucha debe cubrirse con un material no combustible.

*Consultar las normas locales para las exigencias exactas de colocación.

ANCHO DE APERTURA	A & C	B
Estufa de 30"	30" (76,2)	6" (15,2)
Estufa de 36"	36" (91,4)	7" (17,8)

Nota: La distancia con relación a los materiales no combustibles debe respetar las normas locales o, en ausencia de las mismas, el « National Fuel Gas Code », ANSI Z223.1/NFPA 54.

Distancia mínima a construcciones:

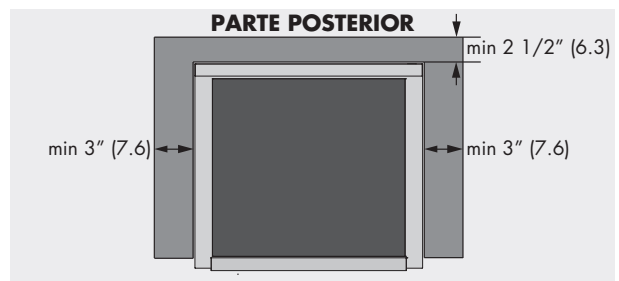
Por arriba de la superficie de cocinar (más de 36" [91.4 cm])

- Lados - 3" (7.6 cm).
- Dentro del espacio lateral de 3" (7.6 cm), los gabinetes de la pared no más profundos de 13" (33.0 cm) deben estar a un mínimo de 18" (45.7 cm) por arriba de la superficie de cocinar.
- Los gabinetes de la pared que estén directamente por encima del producto deben estar a un mínimo de 30" (76.2 cm) por arriba de la superficie de cocinar, no más profundos de 13" (33.0 cm).
- Parte posterior - 0" a la pared posterior de 3" (7.6 cm).

ESPACIOS ADICIONALES:

Para la instalación de la isla, deje un espacio mínimo de 2-1/2" entre la abertura y el extremo trasero de la mesada y un mínimo de 3" entre la abertura y los extremos laterales de la mesada (ver la vista superior).

INSTALACIÓN AL RAS DEL CANTO DE LA ISLA



Antes de mover la estufa, proteja cualquier suelo acabado y asegúrese de que la puerta del horno esté cerrada para que no se dañe.

Combinaciones de capuchas de ventilación:

Se recomienda que estas cocinas se instalen en conjunto con una adecuada capucha de ventilación aérea.

Instale una capucha de por lo menos 450 CFM (pies cúbicos por minuto).

Debido a la elevada capacidad de calor de esta unidad, debe prestarse especial atención a la instalación de la capucha y de la red de conductos para garantizar que cumpla con los códigos de construcción locales.

ADVERTENCIA

Distancias respecto de superficies horizontales sobre la cocina, medidas en relación a la superficie de cocción. No cumplir con esto puede provocar un peligro de incendio.

- Las instalaciones sin capucha requieren un mínimo de 30" (76) respecto de elementos combustibles.
- Para otras instalaciones con una capucha, consulte las instrucciones de instalación de capuchas sobre espacios específicos para capuchas.

PRECAUCIÓN

Estas cocinas pesan hasta 400 libras. Desmontar algunos elementos reducen su peso en forma considerable. Debido al peso y tamaño de la cocina y para reducir el riesgo de lesiones personales o daños al producto:

SE REQUIEREN DOS PERSONAS PARA UNA INSTALACIÓN.

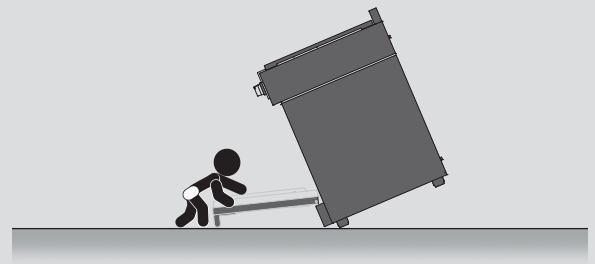
Instructions d'installation des supports anti-bascules

ADVERTENCIA

Peligro de vuelco

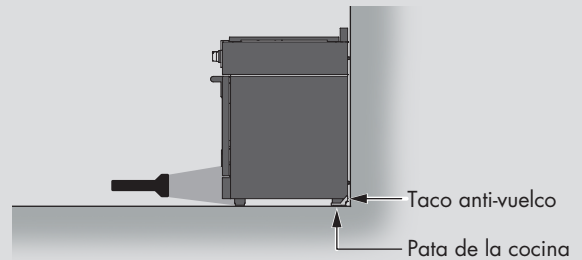
El vuelco de la cocina es un riesgo para todos, niños y adultos, que puede llegar a provocar la muerte. Cuando se desplace la cocina, comprobar que el taco anti-vuelco está acoplado. No dejar que la cocina funcione sin el taco anti-vuelco instalado y acoplado. El no respeto de estas instrucciones puede provocar quemaduras graves o incluso la muerte para todos, niños y adultos.

ADVERTENCIA

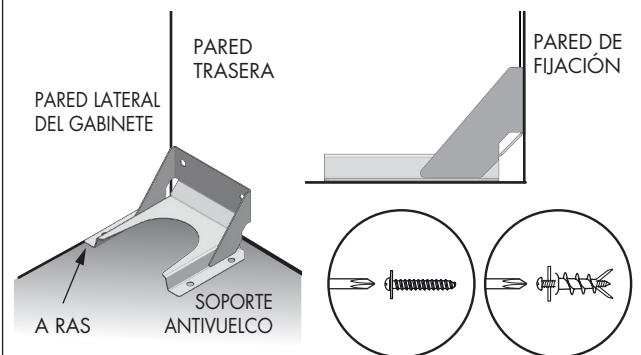


Para comprobar que el taco anti-vuelco está instalado y acoplado:

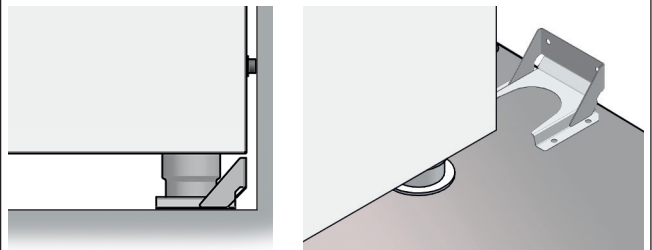
- Deslice la cocina hacia delante.
- Compruebe si el taco anti-vuelco está fijado firmemente al suelo o a la pared.
- Deslice la cocina hacia atrás de tal manera que la pata trasera se encuentre debajo del taco anti-vuelco.
- Para más detalles, consulte las instrucciones de instalación.



INSTALACIÓN DE LA BRIDA ANTI-VUELCO



Para construcciones de concreto o cemento: Deben utilizarse elementos de sujeción apropiados (no provistos). Sujete el soporte a la pared y/o piso mediante por lo menos 4 tornillos para madera (provistos).



El soporte anti-Volcaduras se debe insertar en la abertura correspondiente a la abrazadera anti-volcaduras de la cocina.

ADVERTENCIA

• **Peligro por peso excesivo**

Dos personas o más tienen que desplazar e instalar la cocina.

De lo contrario podrían sufrir daños en la espalda u otros.

• **Peligro de corte**

Cuidado con las aristas cortantes. Al desplazar el producto, agarrarlo por los protectores de poliestireno. De lo contrario podrían sufrir heridas leves o cortes.

ELECCIÓN DE LA POSICIÓN DE LA COCINA

Elija con atención la posición de la cocina.

La cocina se debe colocar en una posición que permita una utilización práctica, pero alejada de corrientes de aire fuertes.

Una puerta o una ventana abiertas, el aire en movimiento por ventiladores de calefacción/refrigeración pueden originar fuertes corrientes de aire.

No taponar los flujos de aire en combustión a nivel de la apertura de ventilación del horno ni debajo de panel frontal inferior de la cocina. Evitar tocar las aperturas de ventilación o las superficies cercanas ya que estas superficies podrían calentarse mientras que el horno está funcionando.

Es indispensable que haya un aire fresco para una buena combustión en el quemador.

NOTA IMPORTANTE

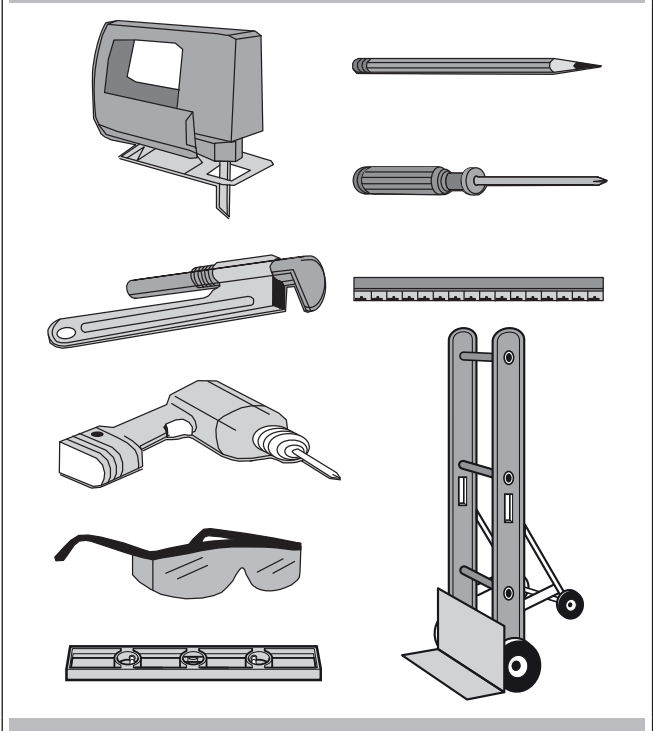
Si instala la cocina contra una superficie combustible, prevea un mínimo de realce. Respete todas las distancias con relación a las superficies combustibles indicadas en las páginas anteriores.

Antes de desplazar la cocina, proteja el suelo y mantenga la puerta del horno cerrada para prevenir cualquier daño.

Evitar absolutamente levantar o agarrar la cocina sujetándola por el asa de la puerta. Para eliminar el riesgo de quemaduras o de incendio a causa de un calentamiento de la superficie de la unidades, evitar colocar un armario encima de la unidad.

Si tiene un armario encima de la cocina, puede reducir el riesgo instalando a una cierta distancia por debajo de la parte inferior del armario una pantalla de protección que recubra toda la superficie horizontal

HERRAMIENTAS NECESARIAS

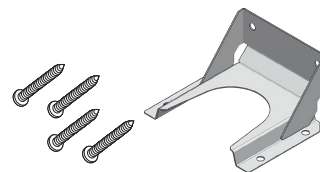


Retire el embalaje y separe los manuales de instrucciones antes de comenzar la instalación.

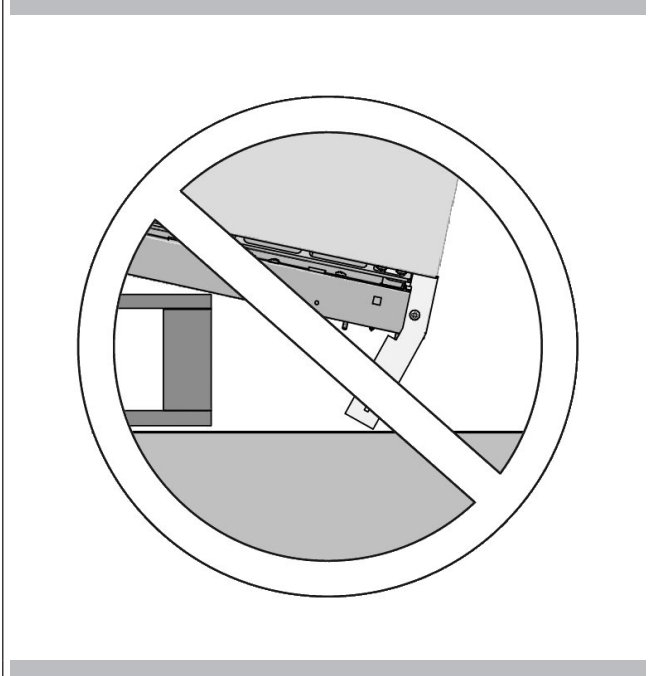
Lea atentamente los manuales de instalación antes de comenzar.

MATERIALES PROVISTOS

SOPORTE
ANTIVOLCADURAS,
A BRAZADERA
Y TORNILLOS



No incline la cocina sobre un lateral cuando instale las patas. Las paredes laterales no están diseñadas para soportar el peso de la cocina y se doblan. Cualquier daño como resultado de la inclinación no queda cubierto por la garantía. Se debe seguir el método descrito en el manual de instalación adjunto.



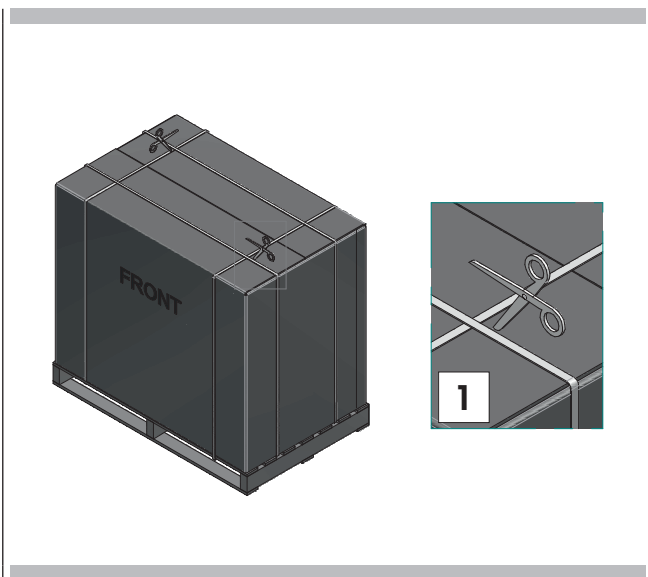
PASO 1

Cortar las bandas (1) y retirar las Instrucciones de Instalación de la parte superior del artefacto de cocción y leerlas detenidamente antes de comenzar.



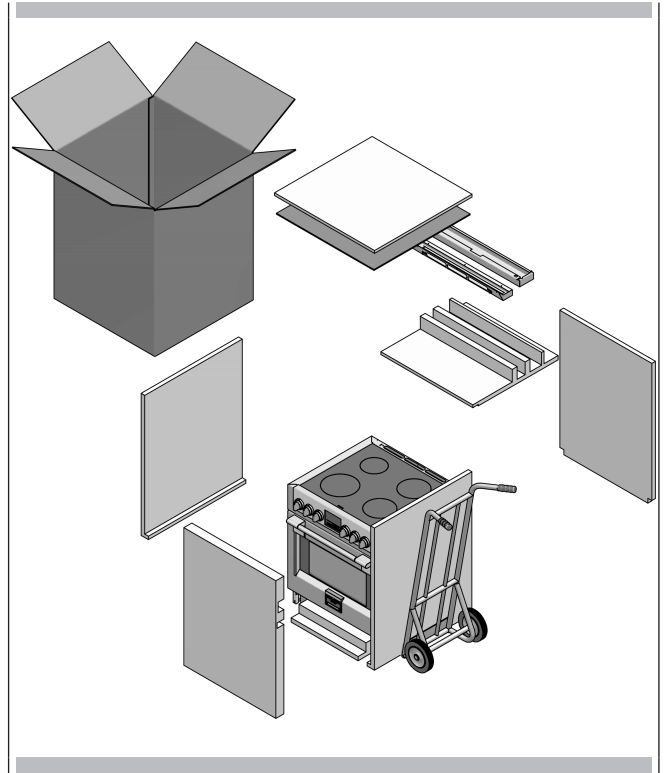
ATENCIÓN

Mantenerse alejado. Los extremos de las bandas cortadas podrían golpearle al darse la vuelta.



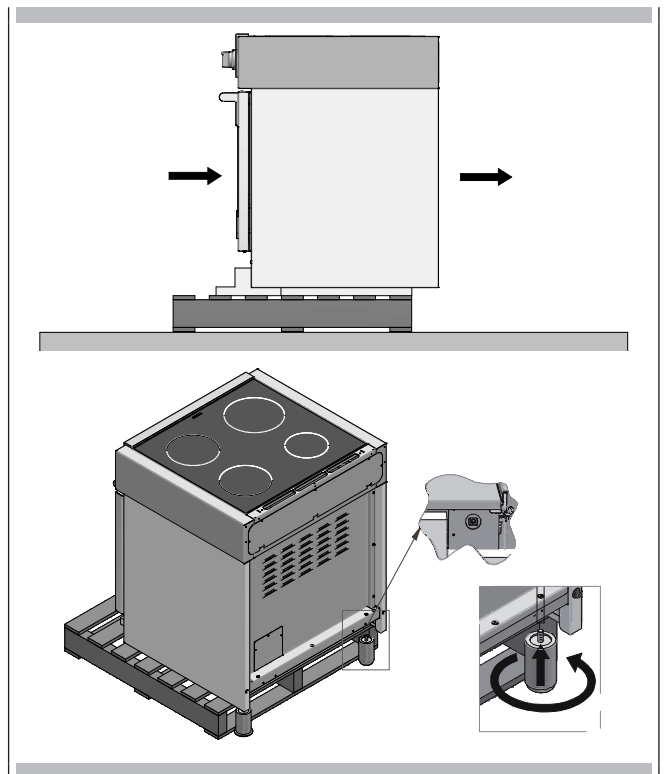
PASO 2

Abir la parte superior y extraer los accesorios, luego levantar la funda de cartón.



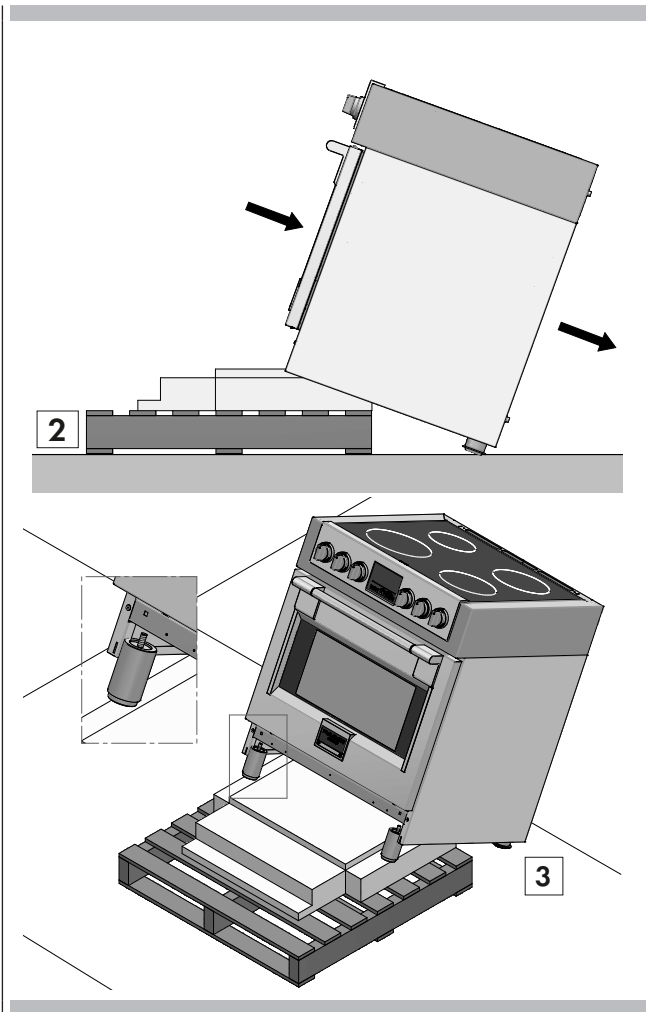
PASO 3

Deslizar el artefacto de cocción justo lo suficiente para permitir instalar las patas traseras.



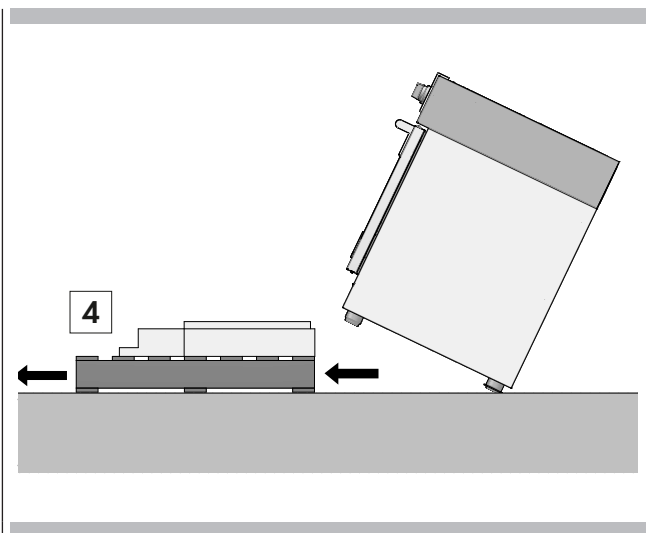
PASO 4

Deslizar más e inclinar hacia atrás (2), poniendo las patas traseras en el suelo y, a continuación, montar las patas delanteras (3) mientras que está en esta posición angulada apoyado por las patas traseras y el patín.



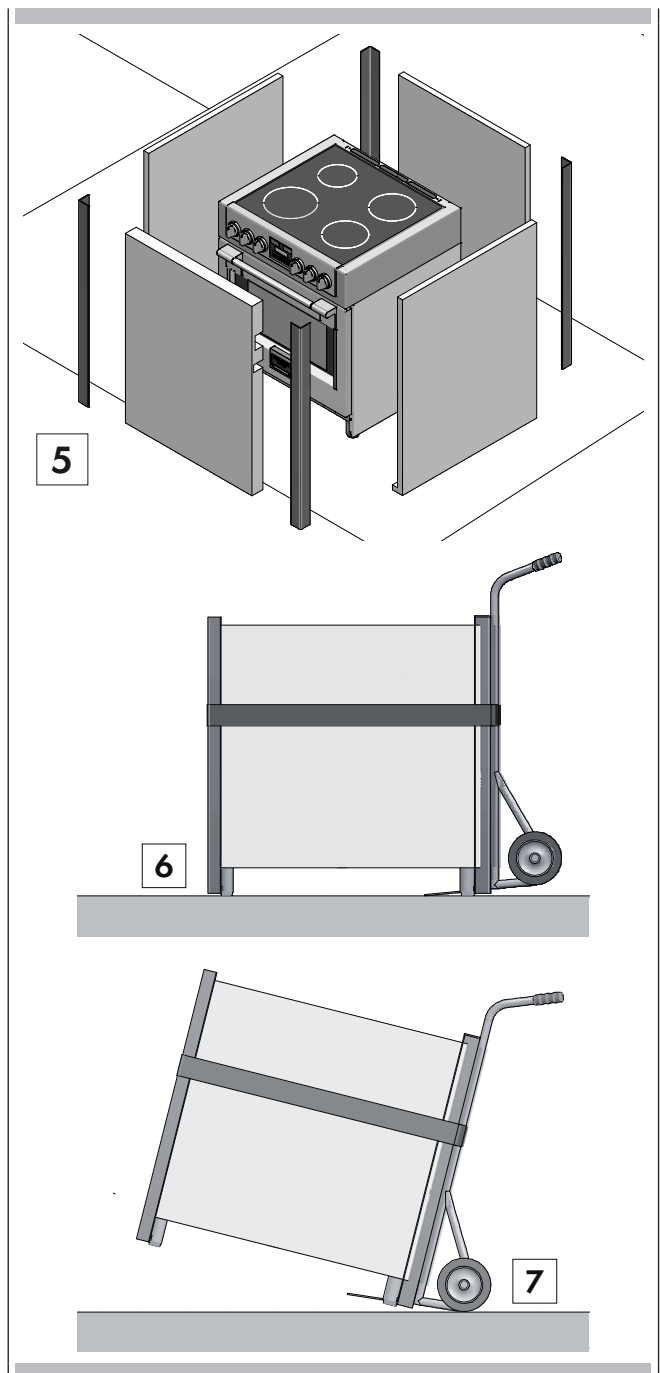
PASO 5

Retirar la base sujetando la parte delantera del artefacto (4) y bajar al suelo de forma controlada.



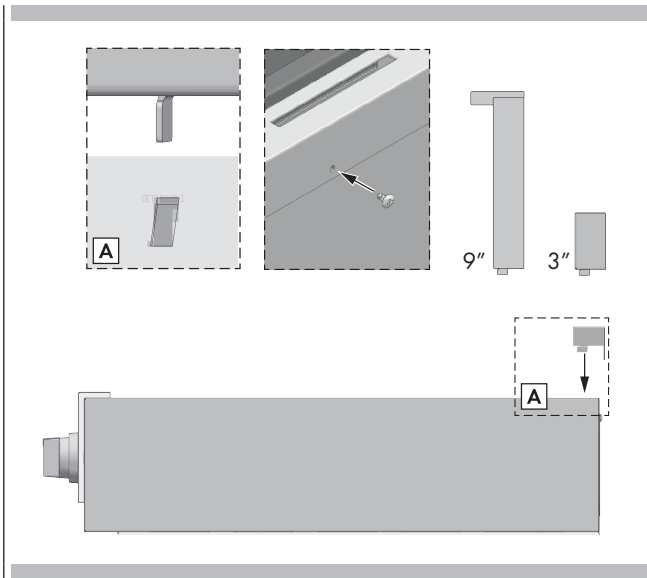
PASO 6

En caso de que sea necesario mover el artefacto de cocción; usar el envase de espuma y/o de cartón (5), reemplazarlos alrededor del artefacto estratégicamente para proteger el acabado de superficies del mismo contra el contacto con el montacargas de mano y cualquier correa alrededor de la unidad (6). En el caso de artefactos más pequeños, puede utilizar esta técnica para retirar el artefacto del patín e instalar las patas (7). Inclinar el artefacto para bajar las ruedas del montacargas de mano fuera del patín. Colocar los corredores del aparato en el suelo a la izquierda y a la derecha, delante de la apertura cuando se mueva a una posición final para proteger el piso. La(s) puerta(s) del horno añade(n) mucho al peso global del artefacto, entonces puede resultarle útil quitar las puertas si mueve el artefacto en una distancia considerable. Consultar los manuales de instrucciones incluidos sobre cómo retirar y volver a colocar las puertas.



PASO 7

Instalar la protección trasera (si la hubiera) mediante los tres tornillos en la parte posterior. En algunos casos esto puede ser un accesorio de protección trasera que fue ordenado por separado en lugar de uno que estaba incluido con el artefacto. Consulte las instrucciones incluidas con cualquier accesorio para ver los requisitos de instalación específica.



PASO 8

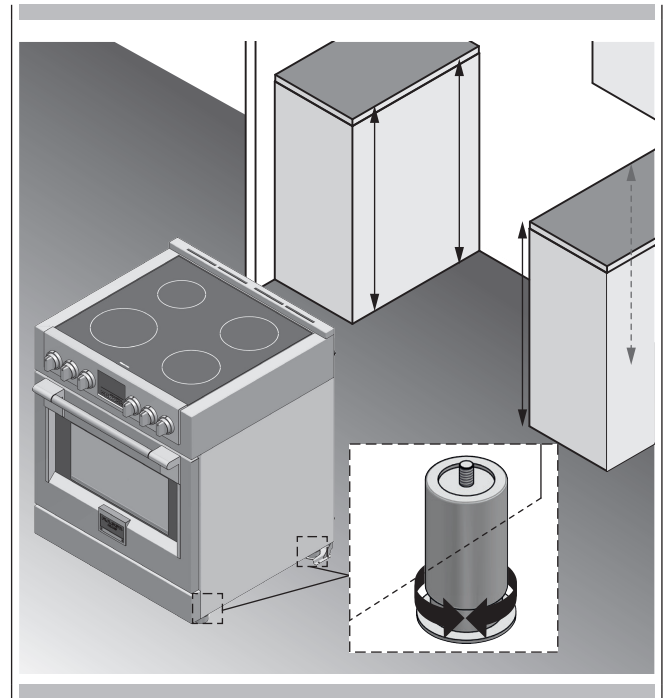
Después de completar la conexión eléctrica (ver las instrucciones incluidas) medir las cuatro esquinas en el área de muestra para comprobar si el suelo está a nivel. Ajustar las patas de nivelación a la altura deseada y asegurarse que el artefacto esté a nivel. Gire la parte inferior de cada pata en sentido contrario a las agujas del reloj para elevar la pata y en sentido de las agujas del reloj para bajar.



IMPORTANTE

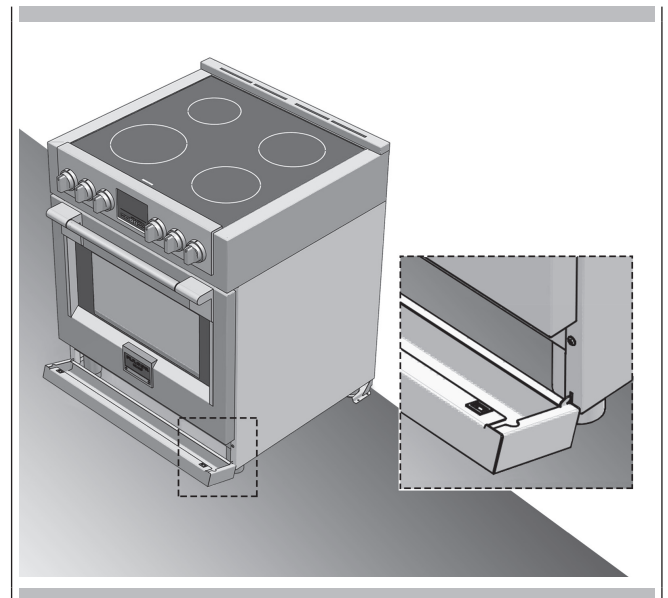
Cuando se enciende la unidad por primera vez, debe completar una prueba de seguridad de bloqueo de la puerta. Asegurarse que se han reinstalado las puertas si fueron retiradas para facilitar el movimiento del artefacto antes de enviar energía al aparato. No abra la puerta del horno o intente utilizar el horno hasta que esté seguro de que la prueba se ha realizado correctamente. Abrir / cerrar la puerta durante la prueba podría ocasionar daños en el mecanismo de la cerradura. Consulte los manuales de instrucciones para más detalles si es necesario.

Asegúrese de que el piso está protegido. Deslice la unidad en su sitio, asegurándose de acoplar el soporte anticaídas.



PASO 10

Asegurar las lengüetas en la parte inferior del tope de pie en las ranuras en cada lado del bastidor y girar hasta que los imanes en la parte superior del tope de pie hagan contacto y mantenerlo en su lugar de forma segura.



Antes de instalar el horno, hacer que un electricista competente verifique que su instalación eléctrica doméstica es correcta y que al añadir el horno, no se pueda producir una sobrecarga en el circuito de derivación en el que está instalado.

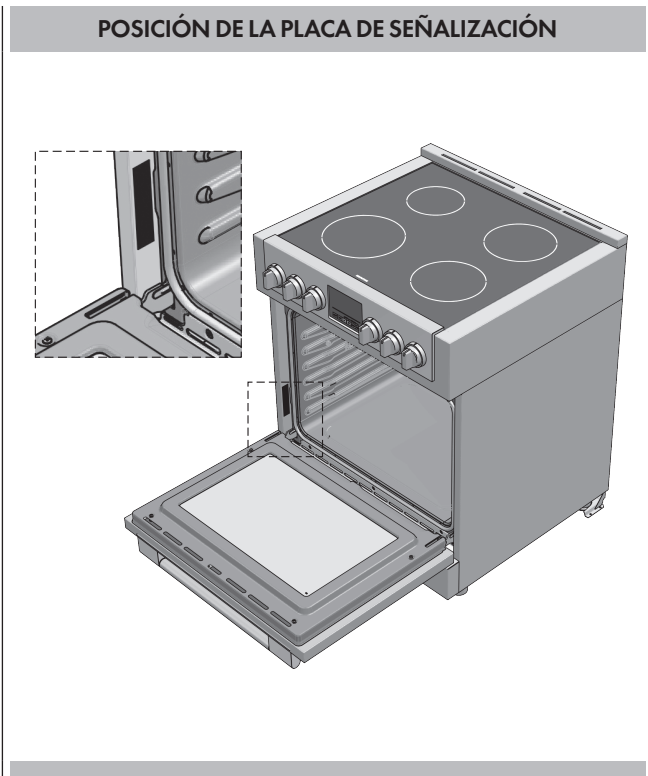
Su aparato debe estar instalado adecuadamente y ser conectado a tierra por un electricista cualificado.

Pida a su vendedor que le aconseje un técnico cualificado o un centro de reparación autorizado.

Este aparato está fabricado con un cable de TIERRA verde conectado con la caja de conexiones y la caja empotrada de la estructura del horno.

Para la posición sugerida de la caja de conexiones o de la caja empotrada, ver el párrafo "Exigencias de corte".

POSICIÓN DE LA PLACA DE SEÑALIZACIÓN



Hay que respetar prioritariamente sobre estas instrucciones las normas y las reglas locales.

Efectuar las conexiones eléctricas conformemente a las normas y a las reglas locales.

Un empalme de conducto conforme UL tiene que estar previsto en cada extremo del conducto de alimentación eléctrica (a la cocina o a la caja de conexiones).

- Las dimensiones de los cables y las conexiones deben estar adaptadas a los valores nominales de la cocina

Estados Unidos:

Comprobar que la alimentación eléctrica y las dimensiones de los cables son adecuadas y conformes con el « National Electrical Code », ANSI/ NFPA 70-última edición y con todos los códigos y reglamentaciones locales.

Canadá:

Comprobar que la alimentación eléctrica y las dimensiones de los cables son adecuadas y conformes con el « CSA Standard C22.1, Canadian Electrical Code, Part 1 »-última edición y con todos los códigos y reglamentaciones locales

⚠ ADVERTENCIA

Riesgo de electrocución, bastidor puesto a tierra conectado al neutro del aparato a través de un enlace.

Está prohibido efectuar la toma de tierra a través de un conductor neutro para la instalación de un circuito de derivación nuevo (1996 NEC); las casa móviles y los vehículos de ocio, o en una zona en la que la toma de tierra a través de del conductor neutro está prohibida. Para instalaciones en las que la toma de tierra a través del conductor neutro está prohibida:

- Desconectar la tierra del neutro en el extremo libre del circuito.
- Utilizar el terminal de toma de tierra o llevarlo hasta la unidad de toma de tierra.
- Utilizar el terminal neutro o llevarlo hasta el neutro del circuito de derivación operando como de costumbre.

El horno está concebido para ser empalmado a una alimentación eléctrica de tres o de cuatro cables, monofásica, 120/240 o 120/208 Voltios, 60 Hz AC , en un circuito separado dotado de fusibles en los dos lados de la línea (se recomienda prever un seccionador o un fusible temporizado). No instalar fusible en el neutro.

ADVERTENCIA : PARA LA UTILIZACIÓN CON TENSIÓN DE ALIMENTACIÓN DE 208 V, 60 HZ, VER LOS EMPALMES CON UN CIRCUITO DE 1208 V.

REQUISITOS ELÉCTRICOS ESTUFAS CON HORNO 30"		
Suministro eléctrico	120-240V o 120-208V, 60 Hz	
Servicio	Circuito dedicado de 50 amperes	
Total de amperes	120/240V 45.8	Amperes
	120/208V 48.5	Amperes
Carga máxima conectada	120/240V 11.00	kW
	120/208V 10.00	kW
Cable de suministro mínimo	L1, L2, a tierra -	8 AWG
	Neutro -	10 AWG

REQUISITOS ELÉCTRICOS ESTUFAS CON HORNO 36" *		
Suministro eléctrico	120-240V o 120-208V, 60 Hz	
Servicio	Circuito dedicado de 50 amperes	
Total de amperes	120/240V 61.0	Amperes
	120/208V 63.0	Amperes
Carga máxima conectada	120/240V 14.60	kW
	120/208V 13.30	kW
Cable de suministro mínimo	L1, L2, a tierra -	8 AWG
	Neutro -	10 AWG

(*) El modelo de 36 "utiliza un software de administración de energía que mantiene la carga máxima por debajo de 50 amperios

**ADVERTENCIA****PELIGRO DE ELECTROCUCIÓN**

- La alimentación eléctrica del circuito derivado del aparato tiene que desconectarse cuando se están realizando las conexiones de la línea.
- No utilice alargadores con el aparato.
- El aparato precisa de una toma de puesta a tierra. El final libre del hilo verde (el hilo de tierra) tiene que conectarse con una toma de tierra apropiada. Este hilo tiene que permanecer conectado a tierra al aparato.
- Si la línea de agua fría se interrumpe con empaques de plástico, no con juntas de estanquidad metálicas, conexiones de unión o materiales aislantes, NO utilice para la puesta a tierra.
- NO conecte a tierra a la tubería del gas.
- NO tenga un fusible en el circuito de NEUTRO o de TIERRA.
- Un fusible en el circuito de NEUTRO o en el de TIERRA puede provocar descargas eléctricas.
- Consulte con un electricista cualificado en el caso de que tenga alguna duda si su aparato está bien conectado a tierra.
- Equivocarse al seguir estas instrucciones puede provocar heridas graves o la muerte.

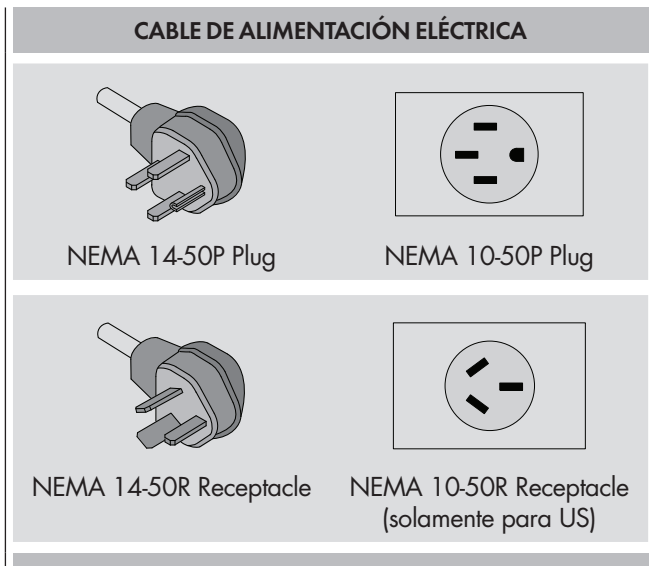
PRECAUCIÓN

No repare o remplace ninguna parte del aparato si no está específicamente recomendado en el manual. Todas las demás operaciones de mantenimiento tiene que realizarlas un técnico cualificado. Para reducir el riesgo de heridas personales o daños al aparato.

Nunca modifique o altere la construcción del aparato eliminando paneles, forros de hilos, tornillos o cualquier otra parte del producto.

Cable de alimentación eléctrica conectado en fábrica

Su cocina está equipado con un cable alimentación eléctrica conectado en fábrica. El cable debe estar conectado a un enchufe con toma de tierra de 120/240 V o de 120/208 V. Si no existe un enchufe disponible, haga que un electricista cualificado lo instale.

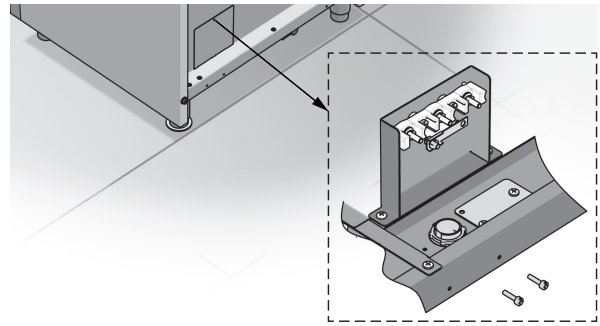


Cable de alimentación eléctrica o conducto flexible (solamente para US)

El utilizador es responsable de la conexión del cable de alimentación eléctrica al bloque de empalme que se encuentra detrás de la portezuela de acceso al panel trasero. El aparato debe estar empalmado con un cable de alimentación eléctrica. Utilizar solamente un cable de alimentación a 125/250 V min. y adaptado para utilizarlo con cocinas. El cable debe tener 3 o 4 conductores. Los terminales del extremo de los cables deben estar cerrados en círculo o terminales de horquilla con extremos curvados. Para las cocinas de 30" et 36", utilizar un cable de alimentación calibrado al menos a 50A para ser utilizado con aberturas de conexión con diámetro nominal de 1-3/8 en (34.93 m).

- 1) Desconectar la alimentación.
- 2) Retirar los tornillos de la tapa de la placa de bornes situada en la parte trasera de la cocina.

POSICIÓN DEL EMPALME ELÉCTRICO



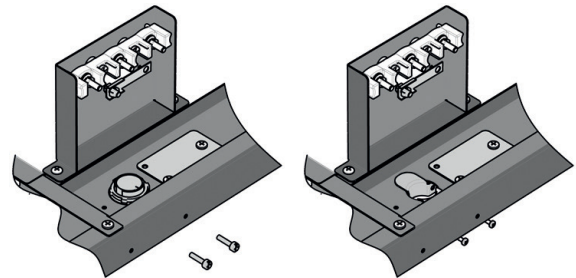
- 3) Añadir el dispositivo de descarga si no ha sido entregado.

ADVERTENCIA : si es necesario, retirar el pre-recorte para poner en su lugar el dispositivo de descarga.

Cable de alimentación eléctrica o conducto flexible (solamente para US)

- Añadir el dispositivo de descarga si no ha sido entregado.

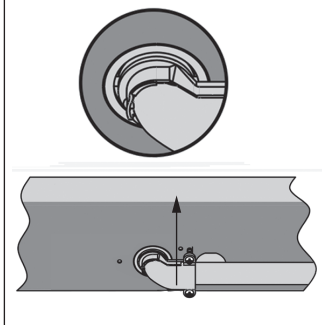
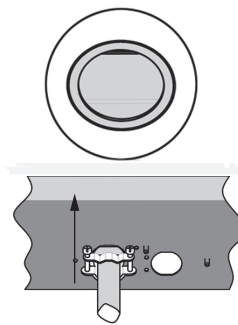
AÑADIR EL DISPOSITIVO DE DESCARGA SI NO HA SIDO ENTREGADO



- Introducir el cable de alimentación o el conducto flexible a través del dispositivo de descarga hasta la placa situada en el fondo de la cocina. Dejar un juego suficiente para fijar cómodamente el cableado en la placa de bornes.
- Apretar el tornillo del dispositivo de descarga contra el cable de alimentación eléctrica o el conducto flexible.


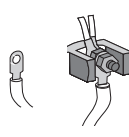

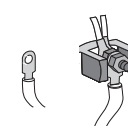
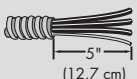
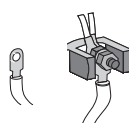
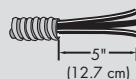
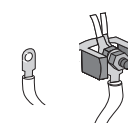
CABLE DE ALIMENTACIÓN

TUBO FLEXIBLE

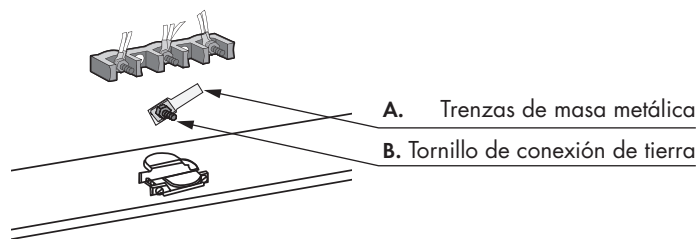


- 4) Terminar la instalación siguiendo las instrucciones adecuadas a su tipo de conexión eléctrica:
 - 4 cable (recomendada)
 - 3 cables (si la conexión con 4 cables no está disponible)

OPCIONES DE CONEXIÓN ELÉCTRICA

SI SU CONEXIÓN RESIDENCIAL ES:	Y SE VA A CONECTAR A:	TIPO DE CONEXIÓN:	SI SU CONEXIÓN RESIDENCIAL ES:	Y SE VA A CONECTAR A:	TIPO DE CONEXIÓN:
4 cables con receptáculo (NEMA tipo 14-50R) 	homologado UL A, 250 V min., 50 A, cable de alimentación de la cocina		3 cables con receptáculo (NEMA tipo 10-50R) 	homologado UL A, 250 V min., 50 A, cable de alimentación de la cocina	
4 cables desconector 	con fusible directo A o caja de disyuntores		3 cables desconector 	con fusible directo A o caja de disyuntores	

CAJA DE BORNES – CABLE DE TIERRA



Conexión de 4 cables

Quitar una parte de las trenzas de masa metálica.

- 1) Con la ayuda de un destornillador Philips, quitar el tornillo de conexión de tierra de la parte trasera de la cocina. Guardar el tornillo de conexión de tierra y el extremo de conexión de tierra debajo del tornillo.
- 2) Introducir el cable de alimentación a través del dispositivo de descarga hasta la placa situada en el fondo de la cocina. Dejar un juego suficiente para fijar cómodamente el cableado en la placa de bornes.
- 3) Con la ayuda de un destornillador Philips, conectar el cable verde del cable de alimentación eléctrica a la cocina por medio del tornillo de empalme de tierra. Fijar primero el cable de tierra.
- 4) Con la ayuda de un destornillador de 3/8", conectar el cable neutro (blanco) al bloque de bornes de entrada por medio de una tuerca hexagonal 10-32.

(«Consultar el cuadro "Opciones de conexión eléctrica" para el tipo de empalme apropiado)

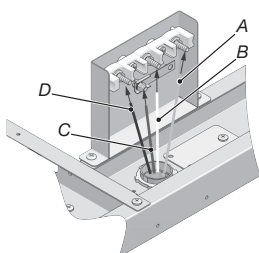
- 5) Conectar los cables de la línea 1 (negra) y la línea 2 (blanca) al bloque de bornes exterior con tuercas hexagonales 10-32.
- 6) Apretar a fondo las tuercas hexagonales.
- 7) Colocar de nuevo la portezuela de acceso al bloque de bornes.

Conexión de 3 cables

No utilizar este método nada más que si las normas locales permiten empalmar el conductor de tierra de la estructura del cable neutro al cable de alimentación eléctrica.

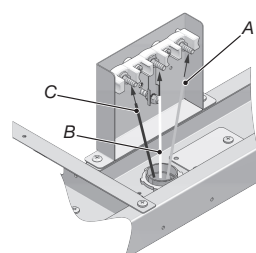
- 1) Introducir el cable de alimentación a través del dispositivo de descarga hasta la placa situada en el fondo de la cocina. Dejar un juego suficiente para fijar cómodamente el cableado en la placa de bornes.
 - 2) Con la ayuda de un destornillador de 3/8, conectar el cable neutro (blanco) al bloque de bornes de entrada por medio de una tuerca hexagonal 10-32.
- («Consultar el cuadro "Opciones de conexión eléctrica" para el tipo de empalme apropiado)
- 3) Conectar los cables de la línea 1 (negra) y la línea 2 (blanca) al bloque de bornes exterior con tuercas hexagonales 10-32.
 - 4) Apretar a fondo las tuercas hexagonales.
 - 5) Colocar de nuevo la portezuela de acceso al bloque de bornes.

COCINA DE INDUCCIÓN DE 30" CON CONEXIÓN A 4 CABLES



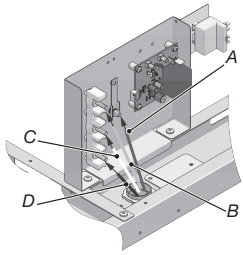
- A. Rojo
- B. Blanco
- C. Verde
- D. Negro

COCINA DE INDUCCIÓN DE 30" CON CONEXIÓN A 3 CABLES



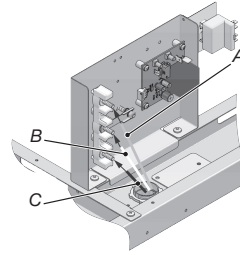
- A. Rojo
- B. Blanco
- C. Negro

COCINA DE INDUCCIÓN DE 36" CON CONEXIÓN A 4 CABLES



- A. Verde
- B. Rojo
- C. Blanco
- D. Negro

COCINA DE INDUCCIÓN DE 36" CON CONEXIÓN A 3 CABLES



- A. Rojo
- B. Blanco
- C. Negro

Conexión directa al disyuntor, a la caja de fusibles o a la caja de conexión.

Si el aparato está empalmado directamente al disyuntor, a la caja de fusibles o a la caja de conexión, utilizar un cable de cobre recubierto flexible, blindado o no metálico (con cable de toma de tierra)

CIRCUITO DE DERIVACIÓN DE 3 CABLES (US solo)

Ver la figura A para cualquier consulta :

Si los códigos locales permiten empalmar el cable de TIERRA de la cocina al cable NEUTRO del circuito de derivación (cable gris o blanco):

- Si las normas locales lo permiten, empalmar el cable verde de TIERRA que parte de la cocina y el cable blanco que va desde el horno al cable NEUTRO del circuito de derivación (cable gris o blanco).
- Conectar las clavijas negra y roja de la cocina a las correspondientes en la caja de conexión.

NO efectuar el empalme de tierra en un tubo de entrada de gas.

NO conectar la alimentación eléctrica mientras el aparato no esté conectado a la tierra de manera permanente. Conectar el cable de tierra antes de poner el aparato bajo tensión.

CIRCUITO DE DERIVACIÓN DE 4 CABLES (solamente US)

Refer to Figure B:

Ver la figura B para cualquier consulta :

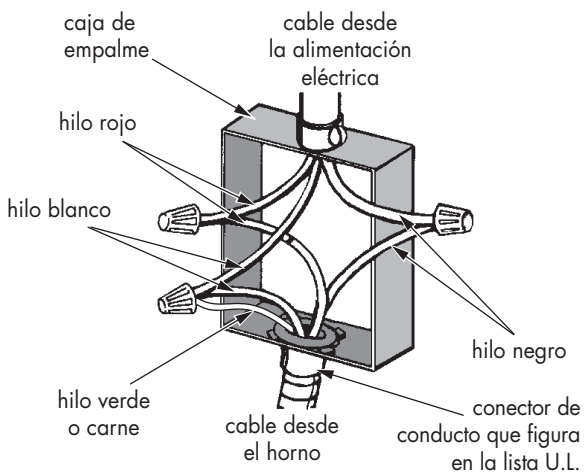
- Desconectar la tierra del neutro en el extremo libre del conducto.
- Empalmar el cable de TIERRA verde de la cocina al cable de TIERRA de la caja de conexión (cable desnudo o verde)
- Conectar las clavijas negra y roja de la cocina a las correspondientes en la caja de conexión.
- Conectar el cable blanco de la cocina al NEUTRO (gris o blanco) de la caja de conexión.

NO efectuar el empalme de tierra en un tubo de entrada de gas.

NO conectar la alimentación eléctrica mientras el aparato no esté conectado a la tierra de manera permanente. Conectar el cable de tierra antes de poner el aparato bajo tensión.

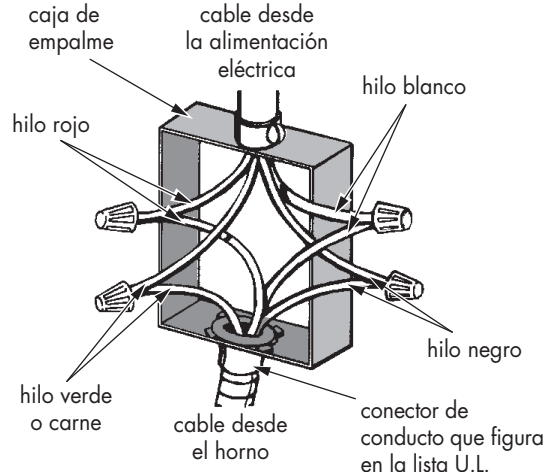
PUESTA A TIERRA DEL NEUTRO

A



NO PUESTA A TIERRA DEL NEUTRO

B



Para evitar errores de empalme que pueden originar el deterioro de los componentes eléctricos y la pérdida de efecto de la garantía, seguir las indicaciones:

1. Comprobar los requisitos eléctricos y asegurarse de que la alimentación eléctrica es correcta y la cocina puesta a tierra correctamente.
2. Antes de conectar la estufa, conecte la alimentación eléctrica.
3. Comprobar la llegada de corriente a los cables de la caja de conexión con un voltímetro 0-250 VAC. Si el horno ha sido instalado para ser utilizado con una alimentación de 240 V, el voltaje entre los hilos negro y rojo (línea a línea) tendría que estar comprendido entre 220 y 240 V. Si el horno ha sido instalado para ser utilizado con una alimentación de 208 V, el voltaje entre los hilos negro y rojo tendría que estar comprendido entre 190 y 208 V.

Retire los materiales de empaque y el paquete de literatura del horno interno. Mantenga la puerta cerrada ya que al encender el horno por primera vez, realice una prueba automática de bloqueo de la puerta.

Si la puerta está en la posición abierta, el texto "AUTO LOCK" parpadeará y el pestillo no se moverá hasta que la puerta esté cerrada.

No intente volver a abrir la puerta mientras el pestillo está en movimiento, ya que podría dañar el mecanismo.

4. Conecte la estufa a la alimentación eléctrica.
5. Ajustar el reloj de la manera siguiente:
 - Pulsar la tecla **TIME** hasta que aparezca «SET TIME».
 - Pulsar inmediatamente las teclas **+** o **-** para ajustar la hora.
 - Pulsar otra vez el botón **TIME** para cambiar los minutos.
 - Pulsar inmediatamente las teclas **+** o **-** para ajustar los minutos; mantener apretado para cambiar los minutos de 10 en 10.
 - Pulsar **TIME** o esperar unos segundos.

Ahora el reloj está regulado.
6. Probar el modo de cocción procediendo de la manera siguiente:
 - Situar el botón de modo de cocción en la posición «BAKE».
 - El ventilador de enfriamiento, las luces del horno y el testigo de precalentamiento se encienden.
 - Un bip sonoro indica que el horno ha llegado a la temperatura de consigna de 350° F (175° C) y el testigo de precalentamiento se apaga.
 - Volver a poner el botón en la posición «OFF» para interrumpir la cocción.
7. Para probar las otras funciones del horno, consultar la sección «USO DE LOS MANDOS DEL HORNO» del manual de uso y mantenimiento.
8. Si el horno funciona correctamente, cortar la alimentación eléctrica.

9. Poner la tapa en la caja de conexión y comprobar que está bien fijada antes de volver a encender la alimentación eléctrica del horno.



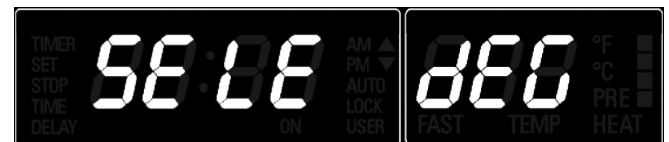
IMPORTANT

Dejar estas instrucciones de **INSTALACIÓN** y el **MANUAL DE USO Y MANTENIMIENTO** al propietario.

CONEXIÓN A UN CIRCUITO DE 208 VOLTIOS

Esta opción se suministra para áreas en donde el servicio de 240 voltios estándar no se encuentra a disposición. Se tiene que acceder a esta opción con el horno conectado a la toma de corriente y utilizar la siguiente secuencia:

1. En el intervalo de cinco minutos después del encendido, mantenga pulsadas las teclas **MENU** y **TIME** durante 3 segundos para acceder al menú de opciones de usuario. La pantalla mostrará lo siguiente:



2. A continuación, mantenga pulsadas las teclas **TIME** y **LIGHT** hasta que la pantalla se oscurezca.
3. Mantenga pulsadas **MENU** y **LIGHT** durante más tiempo hasta que la pantalla de hora muestre "Volt" y "240" parpadee en el módulo de temperatura a la espera de una entrada.



4. Al utilizar las teclas **+** o **-**, el control conmutará entre las opciones de 240 V y 208 V. Mantenga pulsada **MENU** para confirmar.
5. Mantenga pulsadas las teclas **TIME** y **LIGHT** para salir de la selección.
6. Mantenga pulsada la tecla **MENU** durante 3 segundos para salir del menú de opciones de usuario.

La configuración de voltaje se almacena y se guarda incluso después de un largo apagado.

FULGOR MILANO
