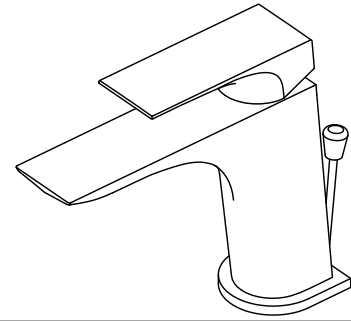




SLS139812 Single Handle Lavatory Faucet Specification Submittal



Feature Highlights

Single Handle Lavatory Faucet for single hole mount shall include quarter turn ceramic cartridge, braided supply hoses with 3/8" compression fittings, lift rod, pop-up drain assembly and 1.0 gpm (3.8 L/min) aerator. Also available with 1.5 gpm (5.7 L/min). Single Handle Lavatory Faucet shall be metal construction, plated in standard Polished Chrome finish.

Options/Modifications

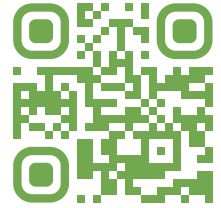
- MB** Matte Black finish
- STN** Satin Nickel finish
- 10** 1.0 gpm (3.8 L/min) aerator
- 15** 1.5 gpm (5.7 L/min) aerator

Model Numbers

- SLS13981210**
Single Handle Lavatory Faucet

Warranty

Limited Lifetime - to the original end purchaser in consumer/residential installations.
10 Years - for commercial/industrial installations. Refer to www.symmons.com/warranty for complete warranty information.

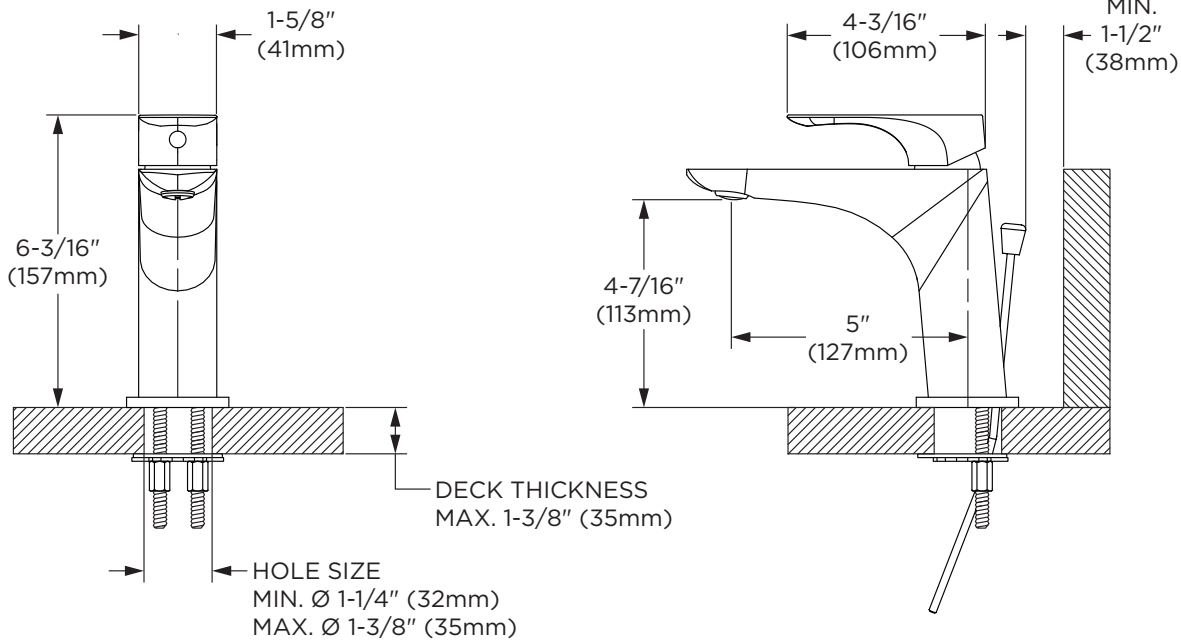


Compliance

- NSF/ANSI 372, NSF/ANSI 61.9
- ASME A112.18.1/CSA B125.1
- WaterSense 1.5 gpm (5.7 L/min)



Dimensions



Notes:

- 1) Dimensions subject to change without notice
- 2) Hoses removed for clarity