

QUEST 335

INTAKE DUCT INSTALLATION GUIDE

AIR CAN BE DISTRIBUTED FROM THE UNIT IN TWO WAYS:

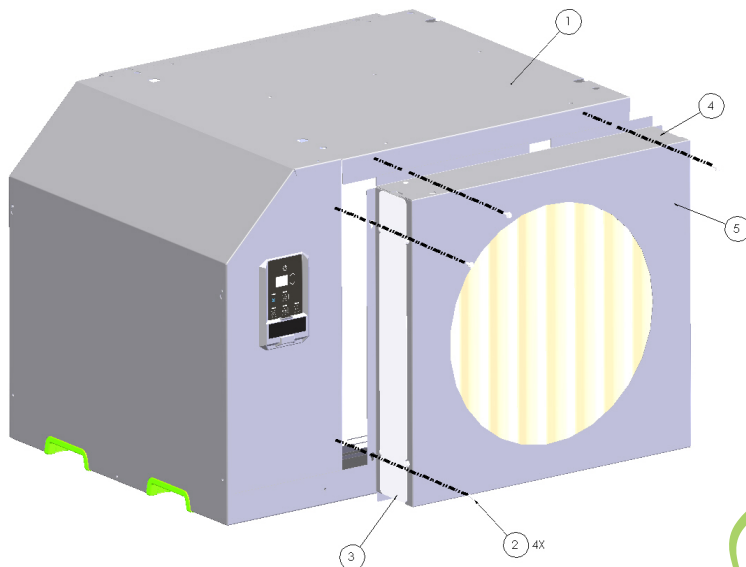
1 USE RECTANGULAR DUCT.

- A. REMOVE THE FILTER FROM THE UNIT AND SET ASIDE. THIS WILL BE RE-USED AFTER THE DUCTING IS INSTALLED.
- B. ATTACH INTAKE DUCT PLENUM (ITEM 4) TO QUEST 335 AIR INTAKE USING FOUR (4) #10-24 SHEET METAL SCREWS. REFERENCE "SAFE ZONE" DIAGRAM IN QUEST 335 MANUAL (SECTION 4.6) IF UNSURE OF FASTENER LOCATIONS.
 - LOOSEN THE TWO SCREWS ON THE RIGHT SIDE OF THE UNIT (DO NOT REMOVE) TO FIT THROUGH THE KEYHOLE SLOT THEN TIGHTEN DOWN
- C. OPEN AND REMOVE FILTER DOOR (ITEM 3)
- D. SLIDE FILTER INTO INTAKE DUCT PLENUM (ITEM 4).
- E. INSTALL FILTER DOOR (ITEM 3) OVER FILTER OPENING IN INTAKE DUCT PLENUM (ITEM 4).
- F. ATTACH RECTANGULAR DUCTING (NOT INCLUDED) DIRECTLY TO INTAKE DUCT PLENUM (ITEM 4).

2 USE 1-16" ROUND DUCT.

- A. REMOVE THE FILTER FROM THE UNIT AND SET ASIDE. THIS WILL BE RE-USED AFTER THE DUCTING IS INSTALLED.
- B. ATTACH INTAKE DUCT PLENUM (ITEM 4) TO QUEST 335 AIR INTAKE USING FOUR (4) #10-24 SHEET METAL SCREWS. REFERENCE SAFE ZONE IMAGE IF UNSURE OF FASTENER LOCATIONS.
 - LOOSEN THE TWO SCREWS ON THE RIGHT SIDE OF THE UNIT (DO NOT REMOVE) TO FIT THROUGH THE KEY-HOLE SLOT THEN TIGHTEN DOWN
- C. OPEN AND REMOVE FILTER DOOR (ITEM 3)
- D. SLIDE FILTER INTO INTAKE DUCT PLENUM (ITEM 4).
- E. INSTALL FILTER DOOR (ITEM 3) OVER FILTER OPENING IN INTAKE DUCT PLENUM (ITEM 4).
- F. ATTACH 16" DIAMETER ROUND DUCT COLLAR (NOT PROVIDED) TO DUCT ADAPTER FACE (ITEM 5).

CAUTION WHEN DUCTING THE UNIT, A DEDICATED DUCT SYSTEM IS RECOMMENDED FOR EACH UNIT. RECOMMENDED 25' MAX RUN OF DUCTING.



ITEM 1: Quest 335 Dehumidifier (not provided)

ITEM 2: #10-24 Hex-Slotted Screws (4)

ITEM 4: Intake Duct Adapter (1)

ITEM 5: Duct Adapter Face (1)

ITEM 7: 16" Dia. Duct Collar (not provided)*

ITEM 8: 1/8" Drill Bit

* Available at any hardware or HVAC store



FOR MORE DETAILS, SCAN ABOVE FOR THE 335 MANUAL.

QUEST 335

EXHAUST DUCT INSTALLATION GUIDE

AIR CAN BE DISTRIBUTED FROM THE UNIT IN TWO WAYS:

1 USE RECTANGULAR DUCT.

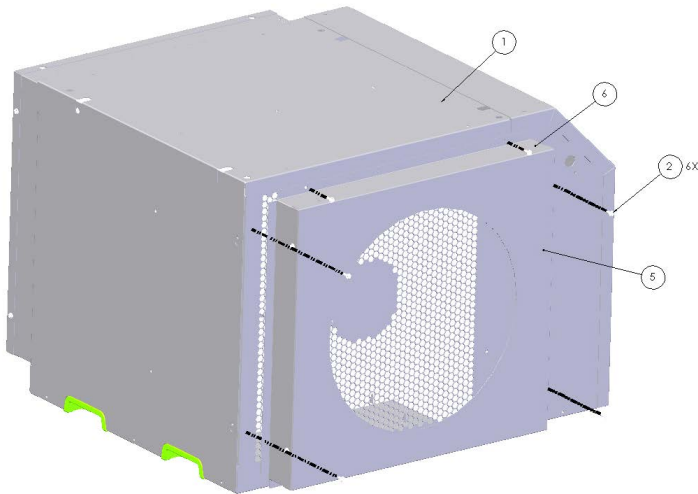
- A. ATTACH EXHAUST DUCT PLENUM (ITEM 6) TO THE QUEST 335 AIR OUTLET USING SIX (6) #10-24 SHEET METAL SCREWS. REFERENCE THE "SAFE ZONE" DIAGRAM IN QUEST 335 MANUAL (SECTION 4.6) FOR FASTENER LOCATION.
- B. ATTACH RECTANGULAR DUCTING (NOT PROVIDED) DIRECTLY TO EXHAUST DUCT PLENUM (ITEM 6).

2 USE 1-16" ROUND DUCT.

- A. ATTACH ITEM 6 (EXHAUST DUCT PLENUM) TO ITEM 1 (UNIT) USING SIX (6) #10-24 SHEET METAL SCREWS.
- B. ATTACH 16" DIAMETER ROUND DUCT TO EXHAUST DUCT PLENUM FACE (ITEM 5).

CAUTION

WHEN DUCTING THE UNIT, A DEDICATED DUCT SYSTEM IS RECOMMENDED FOR EACH UNIT. RECOMMENDED 25' MAX RUN OF DUCTING.



ITEM 1: Quest 335 Dehumidifier (not provided)

ITEM 2: #10-24 Hex-Slotted Screws (6)

ITEM 5: Duct Plenum Face (1)

ITEM 6: Exhaust Duct Plenum (1)

ITEM 7: 16" Dia. Duct Collar (not provided)*

ITEM 8: 1/8" Drill Bit

* Available at any hardware or HVAC store



FOR MORE DETAILS, SCAN ABOVE FOR THE 335 MANUAL