

Specifications

PFWSC5247

Two Handle Lavatory Faucet



Product Features

- Ceramic disc cartridge
- Metal handles
- With brass pop-up
- Requires 3-hole sink with 4" on-center
- Max. flow rate: 1.2 gpm (4.5L/min) at 60 psi
- WaterSense certified
- NSF/ANSI/CAN 61: Q_s1
- Certified to ASME A112.18.1/CSA B125.1
- cUPC/IAPMO listed
- ADA compliant

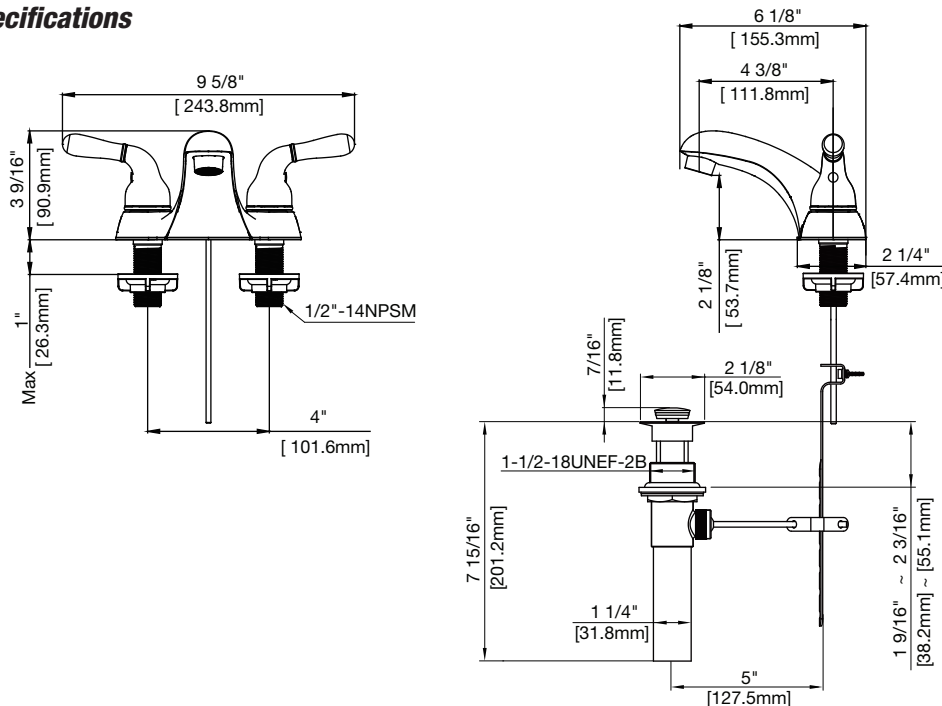
Model Numbers

- PFWSC5247CP Chrome
- PFWSC5247ZBN Brushed nickel



PFWSC5247CP

Product Specifications



* All measurements are nominal. Please verify before actual installation.

Warranty and Codes

This product comes complete with installation, operating, care and maintenance instructions. This PROFLO faucet carries a limited lifetime warranty when installed in residential applications. The warranty is five years in commercial applications.

*Compliant with lead content requirements of California AB 1953 .



NSF/ANSI/CAN 372
NSF/ANSI/CAN 61-9 Q_s1

