

# PFWSC5267 TWO HANDLE WIDESPREAD LAVATORY FAUCET



## Product Features

- Max. flow rate: 1.2 gpm (4.54 L/min) at 60 psi
- Metal lever handle
- Ceramic disc cartridge
- Brass pop-up drain assembly
- Requires 3-hole sink with 8" on-center



## Optional Parts

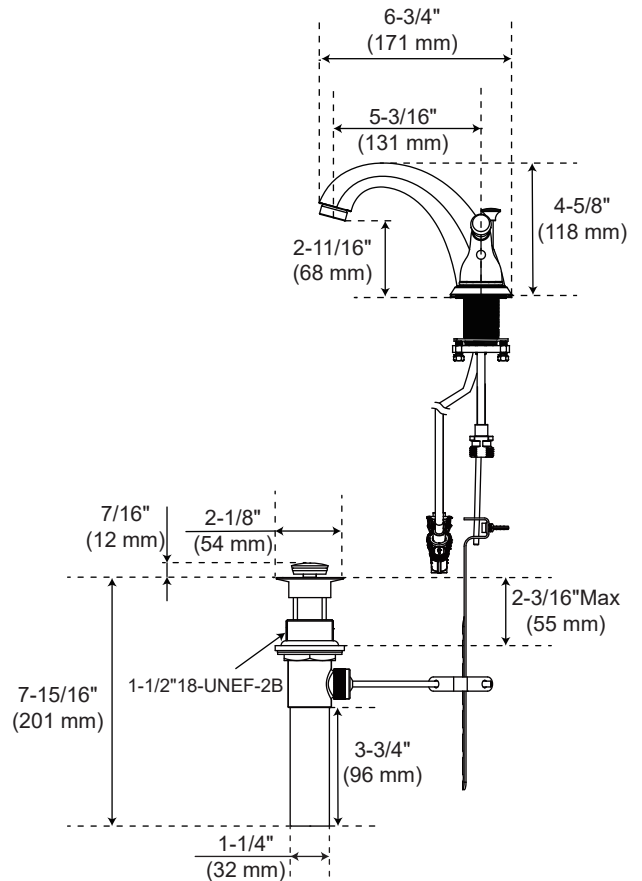
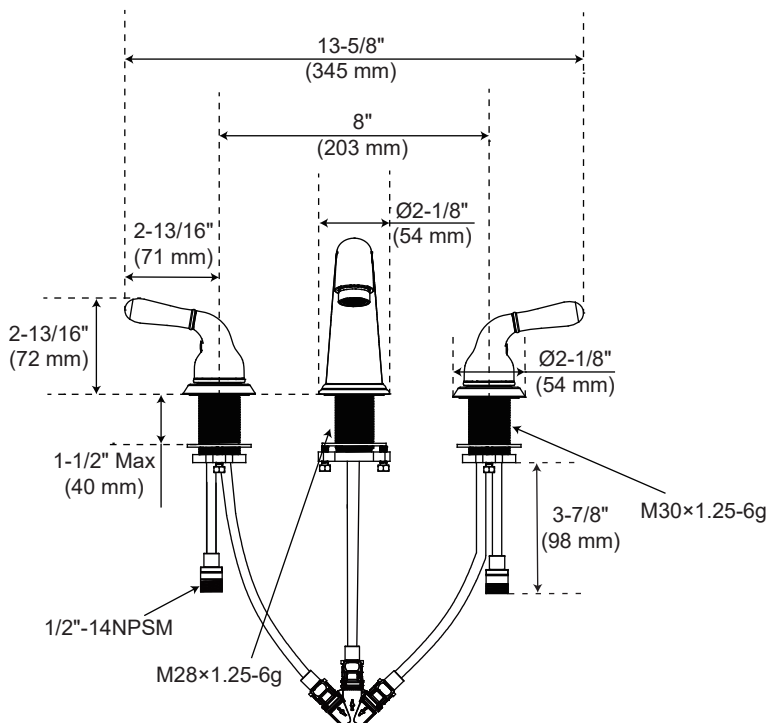
|                          |                     |
|--------------------------|---------------------|
| 1.0 GPM Aerator          | Neoperl 40.2058.000 |
| 0.5 GPM Aerator          | OBPF530223*         |
| Drain Lift Rod Extension | PF351NA             |

## Codes and Certifications



**PFWSC5267**

- Certified to ASME A112.18.1 / CSA B125.1
- cUPC/IAPMO listed
- Handle ADA compliant
- NSF/ANSI/CAN 61: Q ≤1
- EPA WaterSense certified



For detailed warranty information, visit [ferguson.com/proflo-faucet-warranty](http://ferguson.com/proflo-faucet-warranty).